

**Reveal™
Wheelchair**



Yes, you can.

Parts Catalog Usage Guide

The information contained in this document is subject to change without notice. This catalog contains service parts for Form No. 11-009. If you have any questions regarding this catalog, please contact one of our Customer Service Representatives.

For Customer Service Support Call:

1-800-333-6900

For Faxed In Orders Call:

1-800-678-4682 or

1-440-366-0709

For Technical Service Call:

1-800-832-4707

Literature Can Be Found at:

www.invacare.com or

1-800-828-6272

SYMBOL DEFINITION

Throughout this catalog you will notice letters to draw your attention to specific footnotes which are located at the bottom of the page or below specified charts.

Examples:

A,B,C etc. = Special Comments

NOTE: = General information pertaining to that specific page

NLA = No Longer Available

HARDWARE MEASUREMENTS

The measurements for the hardware will be listed as follows:

Screws, Bolts Diameter X Thread Count/Pitch X Length

Washers Inside Diameter X Outside Diameter X Thickness

Spacers Inside Diameter X Outside Diameter X Length

For your convenience, we have supplied an area for you to list your Invacare Representatives.

Name	Phone Numbers

© 2022 Invacare Corporation. All rights reserved. Republication, duplication or modification in whole or in part is prohibited without prior written permission from Invacare. Trademarks are identified by ™ and ®. All trademarks are owned by or licensed to Invacare Corporation or its subsidiaries unless otherwise noted.

TABLE of CONTENTS

Description	Page Number
Accessories - Anti-Tip Assembly	64
Accessories - Luggage Carrier	66
Accessories - Miscellaneous	68
Arms - T Style and Swingaway	14
Axles & Camber System	52
Back Canes - w/ Push Handle Assemblies	44
Back Canes - w/o Push Handle	42
Backrest Mounting Hardware - No Arms or One Arm	12
Backrest Mounting Hardware - Swingaway Arms	9
Casters - Front and Mounting Hardware	17
Clothing Guard - Fold In Style Side Guard	49
Clothing Guard - Removable Side Guard	47
Fork Mounting Hardware - Standard (STD) and Frog Leg (FLOSF)	21
Forks w/ Hardware - Standard (STD) and Frog Leg (FLOSF)	19
Frame Finishes & Touch-Up Paint	4
Frames - Backrest	5
Frames - Side w/ Hardware	6
Front Riggings - Footrest and Hardware (CRF191)	29
Front Riggings - Footrest and Hardware (CRF1FP)	26
Front Riggings - Footrest and Hardware (CRFTFR)	23
Front Riggings - Footrest and Hardware (FLPFP and FLFPF2)	31

TABLE of CONTENTS

Description	Page Number
Upholstery - Back	34
Upholstery - Seat	40
Wheel Locks & Attaching Hardware	54
Wheels - Rear - Assembly, Tires, and Inserts	56
Wheels - Rear - Handrims & Hardware - Natural Fit & Natural Fit LT	61
Wheels - Rear - Handrims and Hardware	60

Frames Finishes & Touch-Up Paint

Finish Color Number	Color Name	Touch Up Paint (0.6 oz) Part Number
24P	Wet Black	1031450-NLA
29P	White Snow	1031447-NLA
30P	Sunny Yellow	1074167-NLA
60P	Silver Metallic	1101318-NLA
61P	Electric Red	1046321-NLA
62P	Electric Blue	1046320-NLA
71P	Silver Vein	N/A
104P	Electric Teal	1101316-NLA
105P	Midnight Blue	1101326-NLA
115P	Black Prism	1133371-NLA
116P	Sunkissed Orange	1133372-NLA
117P	Tangerine Red	1133373-NLA
118P	Fruit Fusion	1133374-NLA
119P	Bubblegum Pink	1133375-NLA
120P	Grape Madness	1133376-NLA
121P	Lolly Pop Blue	1133377-NLA
122P	Cosmic Blue	1133378-NLA
123P	Celestial Purple	1133379-NLA
124P	Vivid Violet	1133380-NLA
125P	Emerald Green	1133381-NLA
126P	Shamrock Green	1133382-NLA
127P	Grasshopper Green	1133383-NLA
146P	Matte Black	N/A

Backrest Frames

Backrest Frames (After 6/3/12)

Back Height	8 - 11" High	10 - 14" High	12 - 16" High	14 - 18" High	16 - 20" High
12" Wide	8881169882-NLA	8881169883-NLA	8881169884-NLA	8881169885-NLA	8881169886-NLA
13" Wide	8881169887-NLA	8881169888-NLA	8881169889-NLA	8881169890-NLA	8881169891-NLA
14" Wide	8881169892-NLA	8881169893-NLA	8881169894-NLA	8881169895-NLA	8881169896-NLA
15" Wide	8881169901-NLA	8881169902-NLA	8881169903-NLA	8881169904-NLA	8881169905-NLA
16" Wide	8881169906-NLA	8881169907-NLA	8881169908-NLA	8881169909-NLA	8881169910-NLA
17" Wide	8881169911-NLA	8881169912	8881169913-NLA	8881169914-NLA	8881169915-NLA
18" Wide	8881169916-NLA	8881169917-NLA	8881169918-NLA	8881169919-NLA	8881169920-NLA
19" Wide	8881169921-NLA	8881169922-NLA	8881169923-NLA	8881169924-NLA	8881169925-NLA
20" Wide	8881169926-NLA	8881169927-NLA	8881169928-NLA	8881169929-NLA	8881169930-NLA

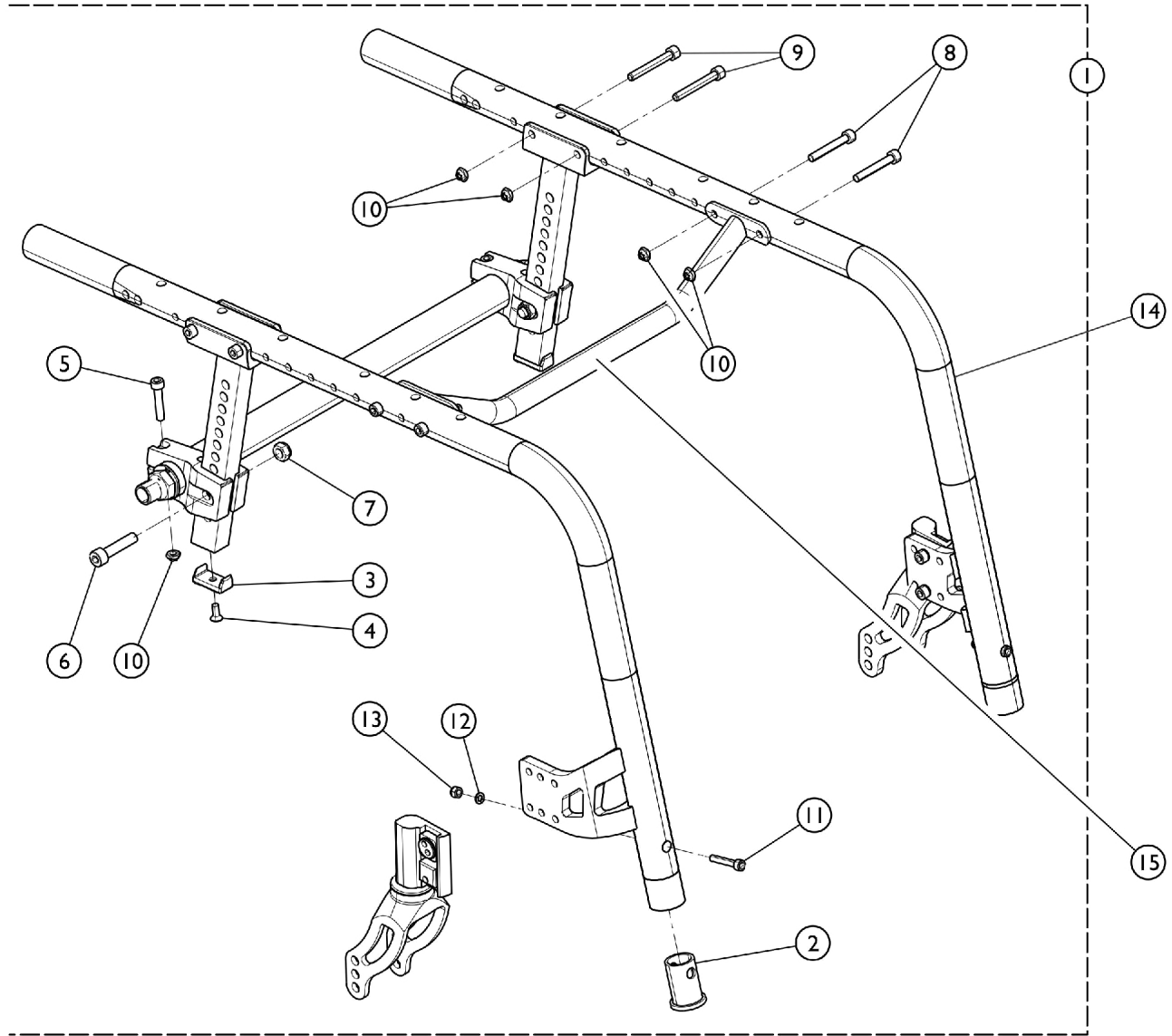
Specify frame color when ordering frames, see category titled "Frame Finishes".

Backrest Frames (Before 6/4/12)

Back Height	8 - 11" H	10 - 14" H, 12 - 16" H 14 - 18" H, 16 - 20" H
12" Wide	8881169882-NLA	8881169883-NLA
13" Wide	8881169887-NLA	8881169888-NLA
14" Wide	8881169892-NLA	8881169893-NLA
15" Wide	8881169901-NLA	8881169902-NLA
16" Wide	8881169906-NLA	8881169907-NLA
17" Wide	8881169911-NLA	8881169912
18" Wide	8881169916-NLA	8881169917-NLA
19" Wide	8881169921-NLA	8881169922-NLA
20" Wide	8881169926-NLA	8881169927-NLA

Specify frame color when ordering frames, see category titled "Frame Finishes".

Frames - Side w/ Hardware



SCM_212A

Frames - Side w/ Hardware

Item Number	Note	Part Number	Description	Quantity Per	
				Package	Assembly
1	A	1180305	Kit, Hardware, Frame, Reveal	1	1
2			Spacer, Footrest	1	2
3			Bumper, Seat Support	1	2
4			NLA - Screw, Socket Flat Head (#10-32 x 1/2")	1	2
5			NLA - Screw, Socket Head (M6 x 30mm)	1	2
6			Screw, Socket Head (M8 x 1.25 x 30mm)	1	2
7			NLA - Locknut (M8 x 1.25)	1	2
8			NLA - Screw, Socket Head Cap (M6 x 1 x 40mm)	1	4
9			Screw (M6 x 1 x 45mm)	1	4
10			NLA - Locknut (M6 x 1)	1	10
11			Screw, Socket Head, Cap (M5 x .8 x 30mm)	1	2
12			Washer, Locking Split (#10)	1	2
13			Nut, Lock (M5 x .8)	1	2
14		See Chart	Item #14 - Side Frame Assembly	1	1
15		See Chart	Item #15 - Rigidizer Bar	1	1

NOTE: A - Includes items 2 - 13.

Item #14 - Side Frame Assembly

Frame Angle	Caster Size	Fork Style	Right	Left
75 Degree	4 in.	STD or FLOSF	8881172595-NLA	8881172596-NLA
75 Degree Tapered	4 in.	STD or FLOSF	8881184043-NLA	8881184044-NLA
75 Degree	5 in.	FLOSF	8881179050	8881179051-NLA
75 Degree Tapered	5 in.	FLOSF	8881184053	8881184054
75 Degree	6 in.	STD	8881179053-NLA	8881179054-NLA
75 Degree Tapered	6 in.	STD	8881184061-NLA	8881184062-NLA
85 Degree Tapered	4 in.	STD or FLOSF	8881184049-NLA	8881184050-NLA
85 Degree	4 in.	STD or FLOSF	8881172613-NLA	8881172614-NLA
85 Degree	5 in.	FLOSF	8881179059-NLA	8881179060-NLA
85 Degree Tapered	5 in.	FLOSF	8881184057	8881184058
85 Degree	6 in.	STD	8881179056-NLA	8881179057-NLA
85 Degree Tapered	6 in.	STD	8881184065-NLA	8881184066-NLA

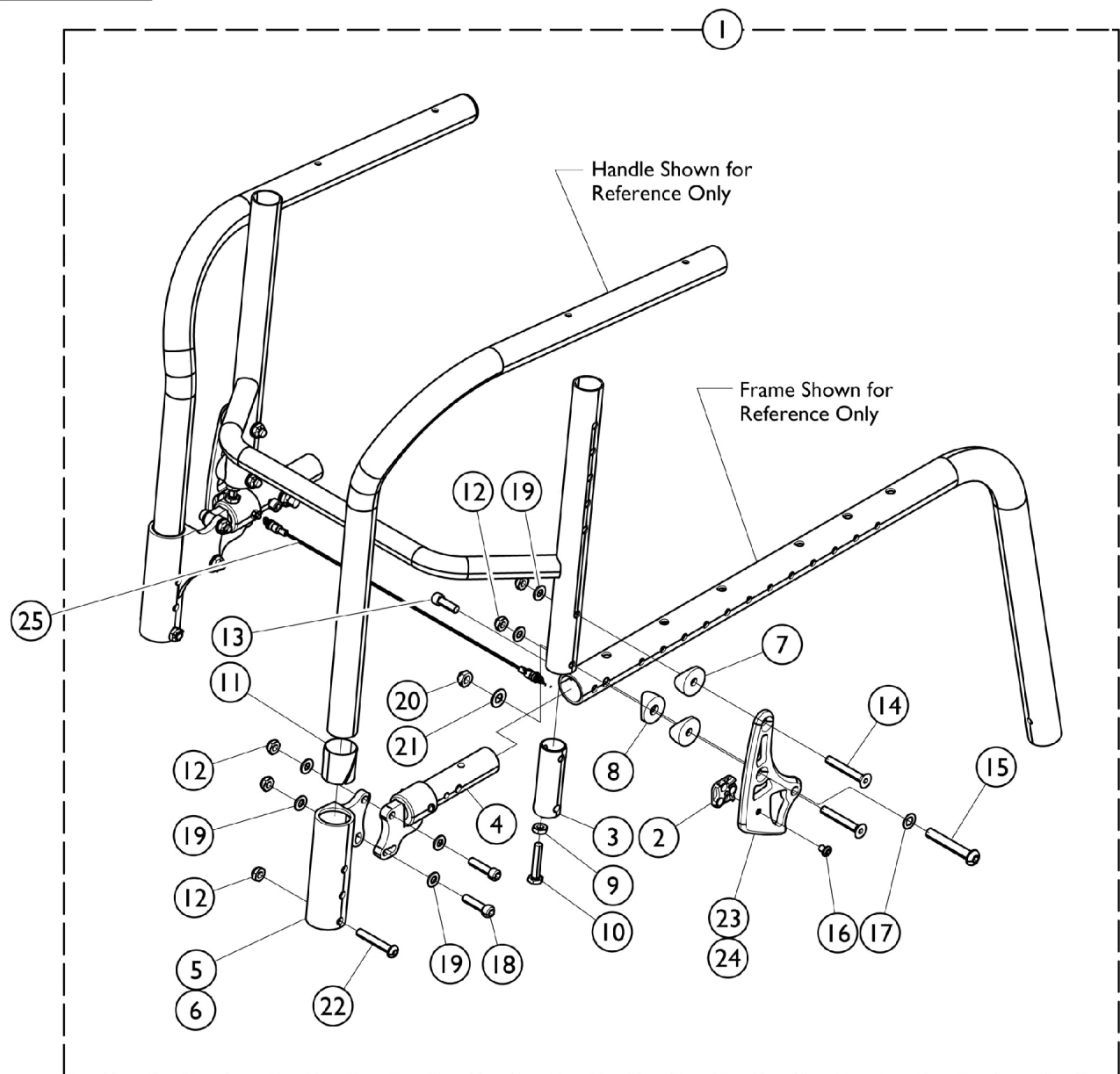
STD Fork Style based on the Forks used on a T7A Crossfire Wheelchair. See Category "Forks w/ Hardware" as a reference.

Frames - Side w/ Hardware

Item #15 - Rigidizer Bar

Description	Part Number
Rigidizer Bar (12 in.)	1172570
Rigidizer Bar (13 in.)	1172571
Rigidizer Bar (14 in.)	1172572
Rigidizer Bar (15 in.)	1172573
Rigidizer Bar (16 in.)	1172574
Rigidizer Bar (17 in.)	1172575
Rigidizer Bar (18 in.)	1172576
Rigidizer Bar (19 in.)	1172577
Rigidizer Bar (20 in.)	1172578

Backrest Mounting Hardware Swingaway Arms



Backrest Mounting Hardware Swingaway Arms

Item Number	Note	Part Number	Description	Quantity Per	
				Package	Assembly
1	A,B	1172585	Kit, Hardware, Backrest Mounting w/ Arms	1	1
2			Square, Adjustment	1	2
3			Insert, Cane, Rear	1	2
4			Arm Mounting Assembly, Swingaway Arm - Right	1	1
4			Arm Mounting Assembly, Swingaway Arm - Left	1	1
5			NLA - Socket, Arm, Half - Right	1	1
6			NLA - Socket, Arm, Half - Left	1	1
7			Spacer, Coved (1/4 x 1 x 9/16")	1	4
8			Spacer, Coved (3/4 x 1 x 1/2")	1	2
9			Nut, Hex, Jam (1/4-28)	1	2
10			Screw, Hex (1/4-28 x 1-1/4")	1	2
11			Sleeve, Bearing	1	2
12			Locknut (1/4-28)	1	10
13			NLA - Screw, Socket Head, Cap (1/4-28 x 3/4")	1	2
14			Screw, Socket, Flat Head, (1/4-28 x 1-3/4")	1	4
15			Screw, Socket Button Head (5/16-18 x 2")	1	2
16			Screw, Socket, Button Head w/ Patch (10-32 x 1/4")	1	2
17			Washer, Nylon (5/16 x 17/32 x 1/32")	1	2
18			NLA - Screw, Cap, Socket Head (1/4-28 x 1")	1	4
19			NLA - Washer, Steel (1/4 x 1/2 x 3/64")	1	12
20			Locknut (5/16-18)	1	2
21			Washer, Steel (21/64 x 5/8 x 3/64")	1	2
22			Screw, Socket, Cap, Button Head (1/4-28 x 1-9/16")	1	2
23			NLA - Bracket, Back, Black - Right	1	1
24			Bracket, Back, Black - Left	1	1
25	C	1159762-NLA	NLA - Cord, Back Release (12" W)	1	1
25	C	1159763-NLA	NLA - Cord, Back Release (13" W)	1	1
25	C	1159764-NLA	NLA - Cord, Back Release (14" W)	1	1
25	C	1159765-NLA	NLA - Cord, Back Release (15" W)	1	1
25	C	1159766-NLA	NLA - Cord, Back Release (16" W)	1	1
25	C	1159767-NLA	NLA - Cord, Back Release (17" W)	1	1
25	C	1159768-NLA	NLA - Cord, Back Release (18" W)	1	1
25	C	1159769-NLA	NLA - Cord, Back Release (19" W)	1	1
25	C	1159789-NLA	NLA - Cord, Back Release (20" W)	1	1
		1165867	Kit, Plunger Pin w/ Spring	1	1
			Pin, Plunger	1	1
			Spring, Pin, Plunger (1/4 x 13/16 x .020)	1	1
		See Chart	Items 23 and 24 Back Brackets - Right/Left	1	1

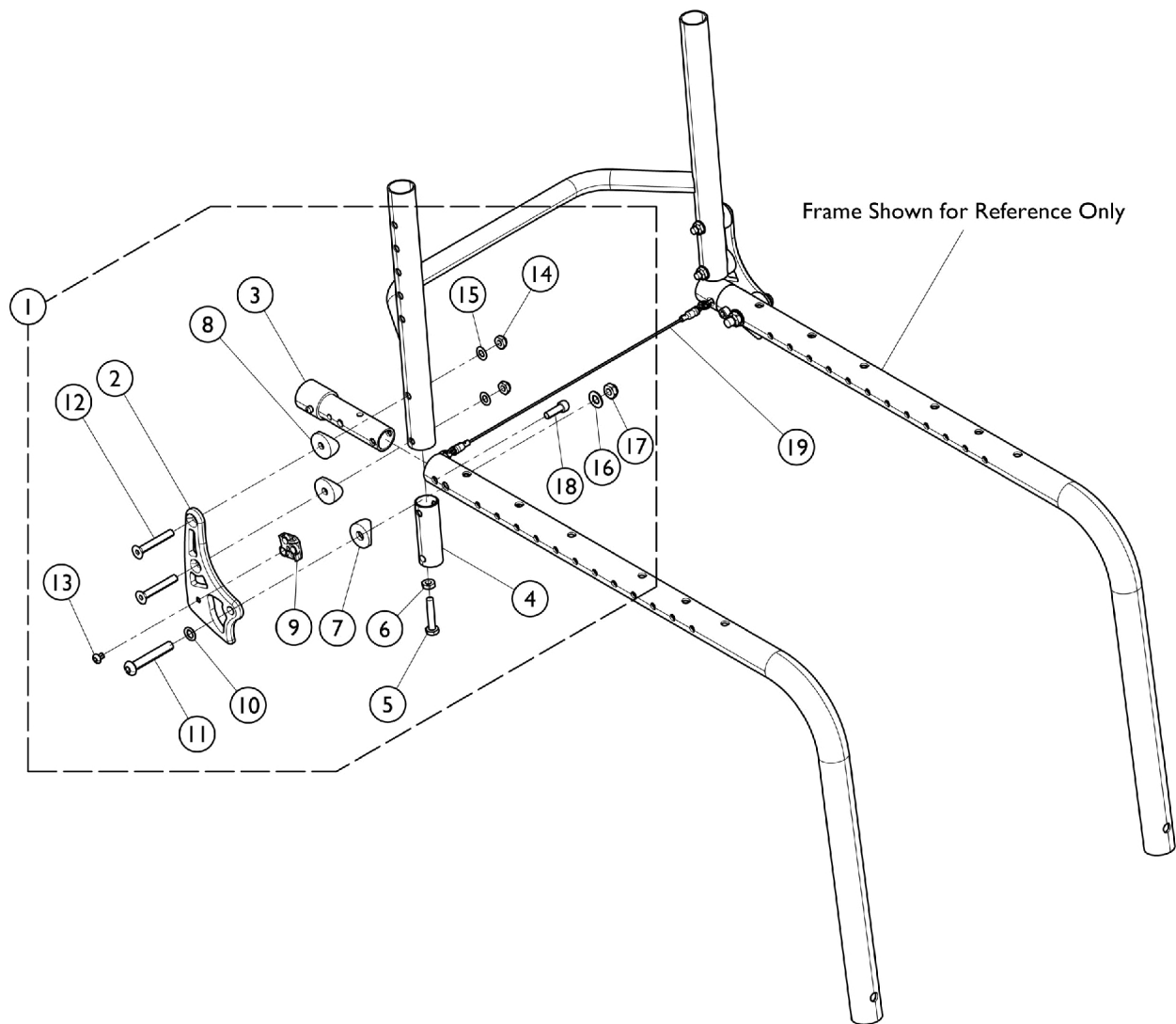
NOTE: A - For use with Swingaway Arms. Includes items 2 - 24.
 B - Item 4 (Swingaway Arm Mounting Assembly) includes a Plunger Pin and Spring.
 C - The Back Release Cord includes a Split Ring on each end but DOES NOT INCLUDE the Plunger Pins or Springs. It is recommended when ordering a new Back Release Cord, 1165867 (Kit, Plunger Pin w/ Spring) be ordered also.

Backrest Mounting Hardware Swingaway Arms

Items 23 and 24, Back Brackets - Right/Left

Color	Black	Silver	Blue	Red
Right	1167083-NLA	1167081	1167084-NLA	1167082-NLA
Left	1167087	1167086-NLA	1167088	1167085

Backrest Mounting Hardware - No Arms or One Arm



Backrest Mounting Hardware - No Arms or One Arm

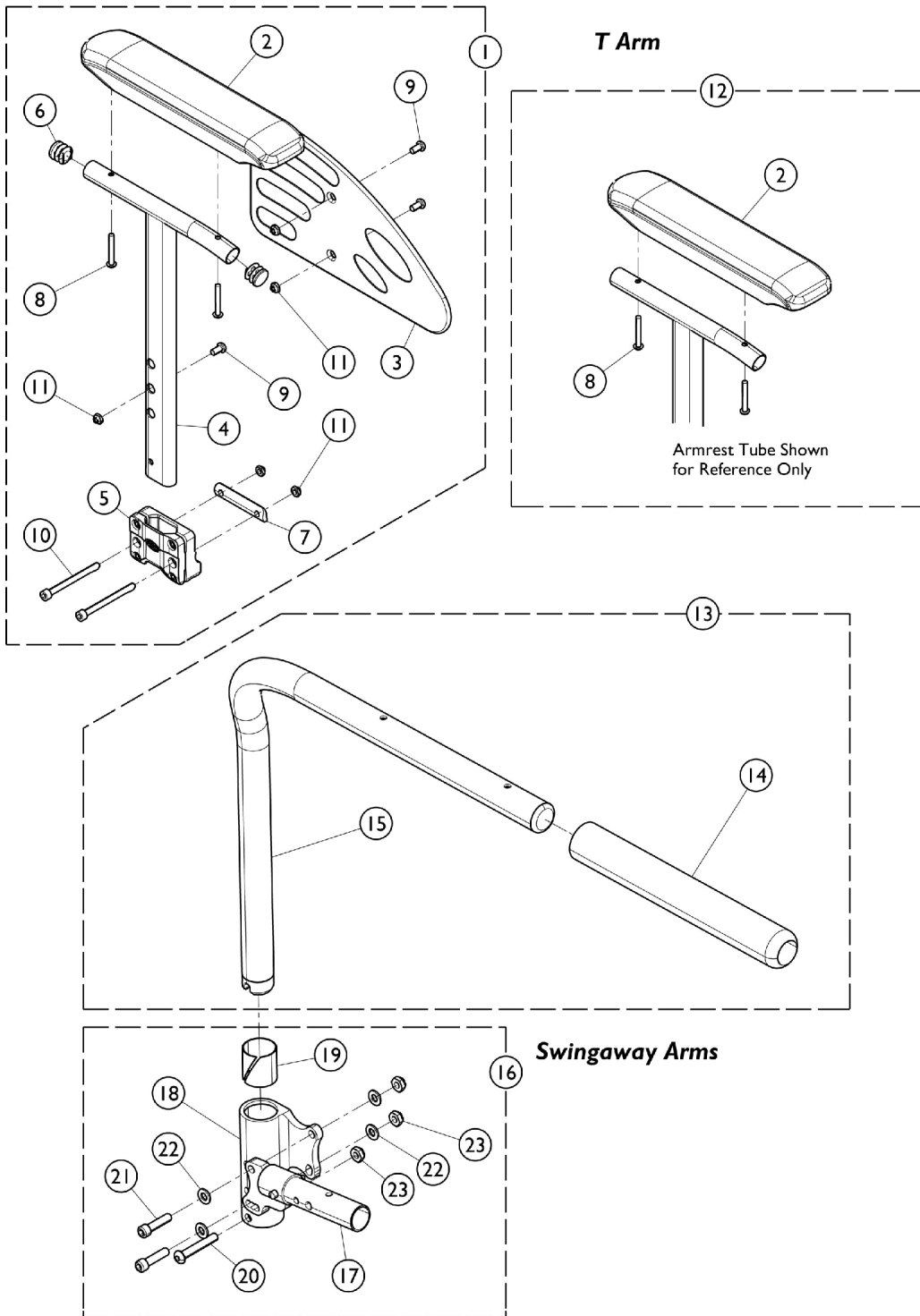
Item Number	Note	Part Number	Description	Quantity Per	
				Package	Assembly
1	A	1172685-NLA	NLA - Kit, Hardware, Backrest Mounting w/o Arms	1	1
2			NLA - Bracket, Back, Black - Right	1	1
2			Bracket, Back, Black - Left	1	1
3			Insert, Backstop	1	2
4			Insert, Cane, Rear	1	2
5			Screw, Hex (1/4-28 x 1-1/4")	1	2
6			Nut, Hex, Jam (1/4-28)	1	2
7			Spacer, Coved (3/4 x 1 x 1/2")	1	2
8			Spacer, Coved (1/4 x 1 x 9/16")	1	4
9			Square, Adjustment	1	2
10			Washer, Nylon (5/16 x 17/32 x 1/32")	1	2
11			Screw, Socket Button Head (5/16-18 x 2")	1	2
12			Screw, Socket, Flat Head, (1/4-28 x 1-3/4")	1	4
13			Screw, Socket, Button Head w/ Patch (10-32 x 1/4")	1	2
14			Locknut (1/4-28)	1	4
15			NLA - Washer, Steel (1/4 x 1/2 x 3/64")	1	4
16			Washer, Steel (21/64 x 5/8 x 3/64")	1	2
17			Locknut (5/16-18)	1	2
18			NLA - Screw, Socket Head, Cap (1/4-28 x 3/4")	1	2
19	B	1159762-NLA	NLA - Cord, Back Release (12" W)	1	1
19	B	1159763-NLA	NLA - Cord, Back Release (13" W)	1	1
19	B	1159764-NLA	NLA - Cord, Back Release (14" W)	1	1
19	B	1159765-NLA	NLA - Cord, Back Release (15" W)	1	1
19	B	1159766-NLA	NLA - Cord, Back Release (16" W)	1	1
19	B	1159767-NLA	NLA - Cord, Back Release (17" W)	1	1
19	B	1159768-NLA	NLA - Cord, Back Release (18" W)	1	1
19	B	1159769-NLA	NLA - Cord, Back Release (19" W)	1	1
19	B	1159789-NLA	NLA - Cord, Back Release (20" W)	1	1
		1165867	Kit, Plunger Pin w/ Spring	1	1
			Pin, Plunger	1	1
			Spring, Pin, Plunger (1/4 x 13/16 x .020)	1	1
		See Chart	Item 2. Back Brackets - Right/Left	1	1

NOTE: A - Includes items 2 - 18.
 B - The Back Release Cord includes a Split Ring on each end but DOES NOT INCLUDE the Plunger Pins or Springs. It is recommended when ordering a new Back Release Cord, 1165867 (Kit, Plunger Pin w/ Spring) be ordered also.

Item 2. Back Brackets - Right/Left

Color	Black	Silver	Blue	Red
Right	1167083-NLA	1167081	1167084-NLA	1167082-NLA
Left	1167087	1167086-NLA	1167088	1167085

Arms - T Style and Swingaway



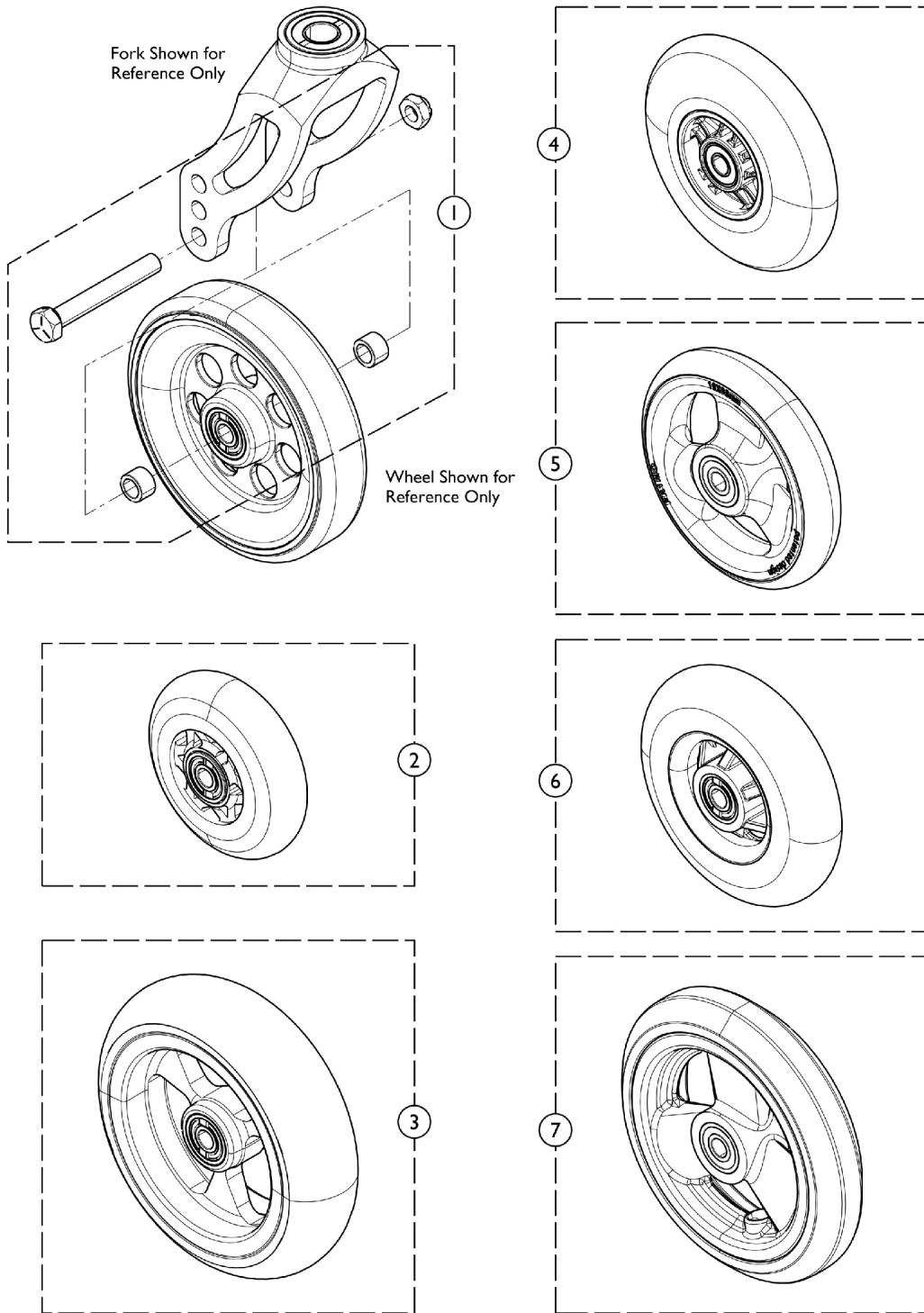
Arms - T Style and Swingaway

Item Number	Note	Part Number	Description	Quantity Per	
				Package	Assembly
1	A	1172634-NLA	NLA - Kit, T-Arm, Adjustable Height w/ Hardware - Right	1	1
2			Arm Pad, Desk Length	1	1
3			Guard, Clothing - Right/Left	1	1
4			Tube, Armrest - Right	1	1
5			NLA - Support, Armrest	1	1
6			Plug Button, Black (3/4")	1	2
7			Spacer, T-Arm	1	1
8			Screw, Socket, Button Head (M5 x 35mm)	1	2
9			Screw, Socket Button Head (M6 x 1 x 12mm)	1	3
10			Screw, Class CHC (M6 x 1 x 70mm)	1	2
11			NLA - Locknut (M6 x 1)	1	5
1	A	1172635-NLA	NLA - Kit, T-Arm, Adjustable Height w/ Hardware - Left	1	1
2			Arm Pad, Desk Length	1	1
3			Guard, Clothing - Right/Left	1	1
4			Tube, Armrest, Black - Left	1	1
5			NLA - Support, Armrest	1	1
6			Plug Button, Black (3/4")	1	2
7			Spacer, T-Arm	1	1
8			Screw, Socket, Button Head (M5 x 35mm)	1	2
9			Screw, Socket Button Head (M6 x 1 x 12mm)	1	3
10			NLA - Screw, Socket Head (M6 x 1 x .50mm)	1	2
11			NLA - Locknut (M6 x 1)	1	5
12	B	1162413	Kit, Armpad, Desk Length (Pair) (CNAD, TAD)	1	1
2			Arm Pad, Desk Length	1	2
8			Screw, Socket Head, Torx (K50 x 30mm)	1	4
13		1170499-NLA	NLA - Half Arm Assembly, Black - Right	1	1
13		1170500-NLA	NLA - Half Arm Assembly, Black - Left	1	1
14		1032244	Grip, Foam Hand (9" L)	1	1
15		1032202	Half Arm Tube - Right	1	1
15		1032203	Half Arm Tube - Left	1	1
16	C	1169974-NLA	NLA - Kit, Conversion, Swingaway Arm	1	1
17			NLA - Swingaway Arm Mounting Assembly - Right	1	1
17			Swingaway Arm Mounting Assembly - Left	1	1
18			NLA - Socket, Arm, Half - Right	1	1
18			NLA - Socket, Arm, Half - Left	1	1
19			Sleeve, Bearing	1	2
20			Screw, Socket, Cap, Button Head (1/4-28 x 1-9/16")	1	2
21			NLA - Screw, Cap, Socket Head (1/4-28 x 1")	1	4
22			NLA - Washer, Steel (1/4 x 1/2 x 3/64")	1	8
23			Locknut (1/4-28)	1	6

Arms - T Style and Swingaway

NOTE: A - Includes items 2 - 11.
B - Includes items 2 and 8.
C - Includes items 17 - 23, item 17 (Swingaway Arm Mounting Assembly) includes a Plunger Pin and Spring.

Casters - Front and Mounting Hardware



Casters - Front and Mounting Hardware

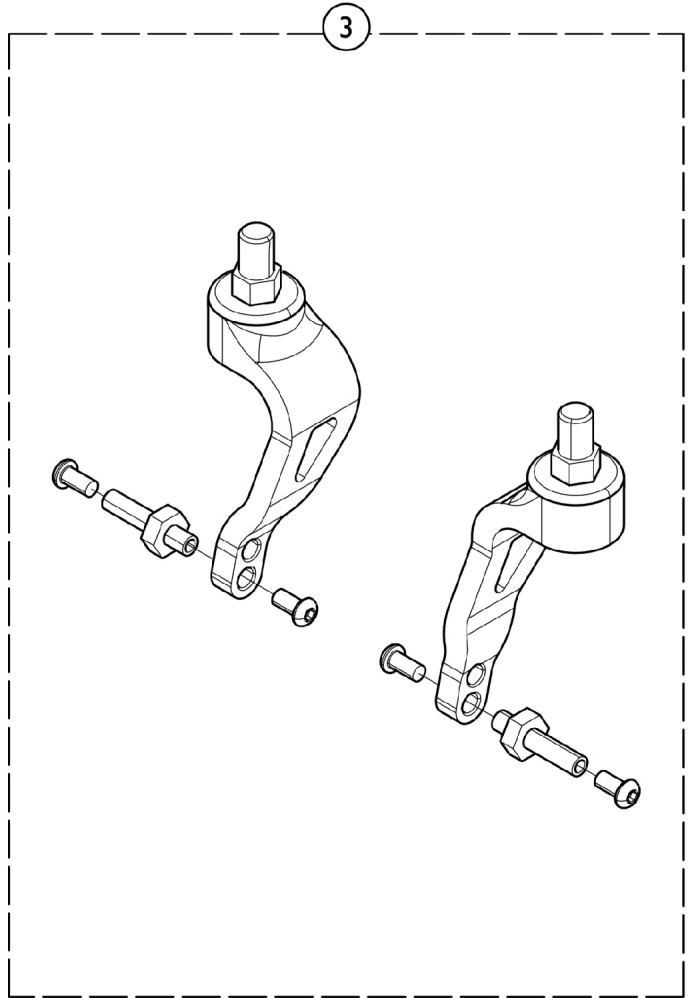
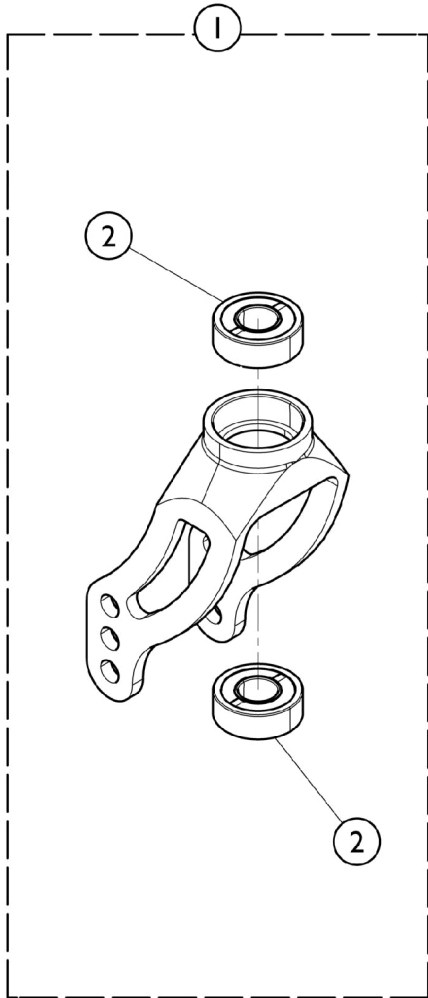
Item Number	Note	Part Number	Description	Quantity Per	
				Package	Assembly
1	A	1159772	Kit, Front Wheel Hardware	1	1
			Spacer (5/16 x 7/16)	1	2
			Locknut (5/16-24)	1	1
			Screw, Hex Head (5/16-24 x 2-1/4")	1	1
		See Chart	Caster Styles	1	1
2		1157282-NLA	NLA - Wheel Assembly, Soft Roll (3" x 1-1/2")	1	1
2		1128070	Wheel Assembly, Soft Roll (4" x 1")	1	1
2		1128071	Wheel Assembly, Soft Roll (5" x 1-1/2")	1	1
2		1169260	Wheel Assembly, Composite, Urethane (5" x 1")	1	1
3		1032190-NLA	NLA - Wheel Assembly (3" x 1")	1	1
4		1060910	Wheel Assembly, Composite Urethane, Light Up (4" x 1")	1	1
5		1164317-NLA	NLA - Wheel Assembly, Composite, Urethane (4 x 1")	1	1
5		1164318-NLA	NLA - Wheel Assembly, Composite, Urethane (4 x 1-1/2")	1	1
6		1114142	Wheel Assembly, Semi-Pneumatic, Black (4" x 1")	1	1
7		1164311	Wheel Assembly, Composite, Urethane (5" x 1")	1	1

NOTE: A - Includes Screw, Locknut, and (2) Spacers.

Caster Styles

Caster Style	Size	Tire Type	Part Number
41DC	4 x 1"	Urethane	1164317-NLA
415DC	4 x 1-1/2"	Urethane	1164318-NLA
51DC	5 x 1"	Urethane	1169260
515DC	5 x 1-1/2"	Urethane	1164312
61DC	6 x 1"	Urethane	1164314
615DC	6 x 1-1/2"	Urethane	1164313
CRF654	4"	Semi-Pneumatic	1114142
CRF655	5"	Semi-Pneumatic	1164311
CRFA654	4"	Aluminum Soft Roll	1128070
CRFA655	5"	Aluminum Soft Roll	1128071
CRF844	4"	Lighted	1060910

Forks w/ Hardware - Standard (STD) and Frog Leg (FLOSF)

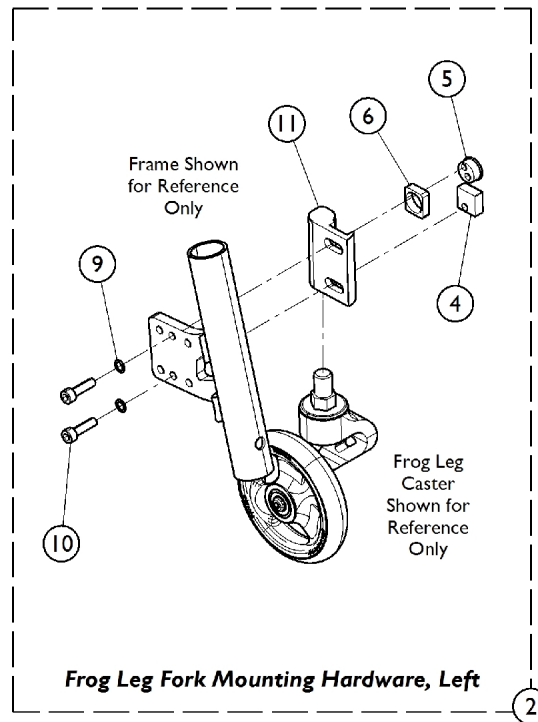
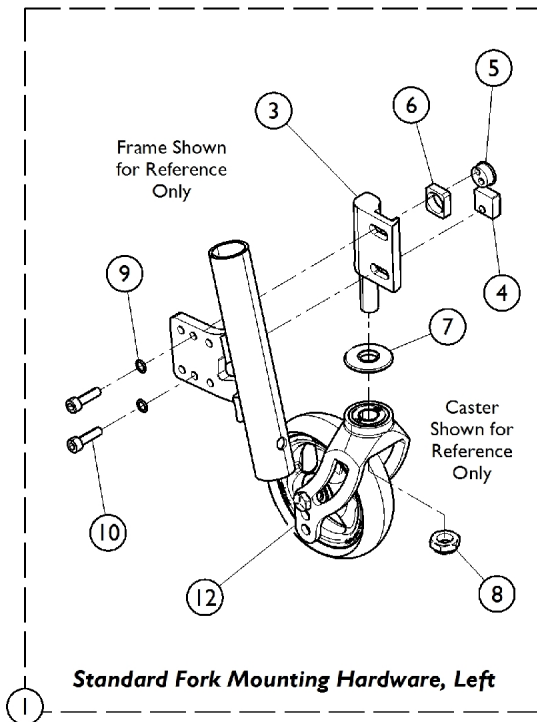
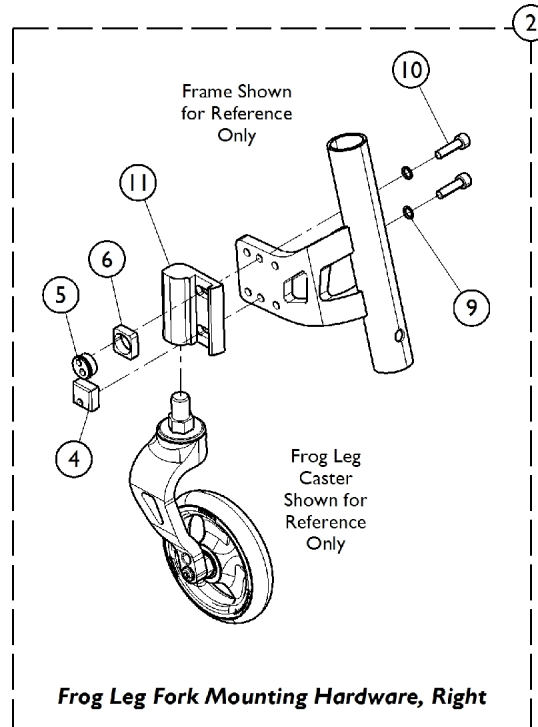
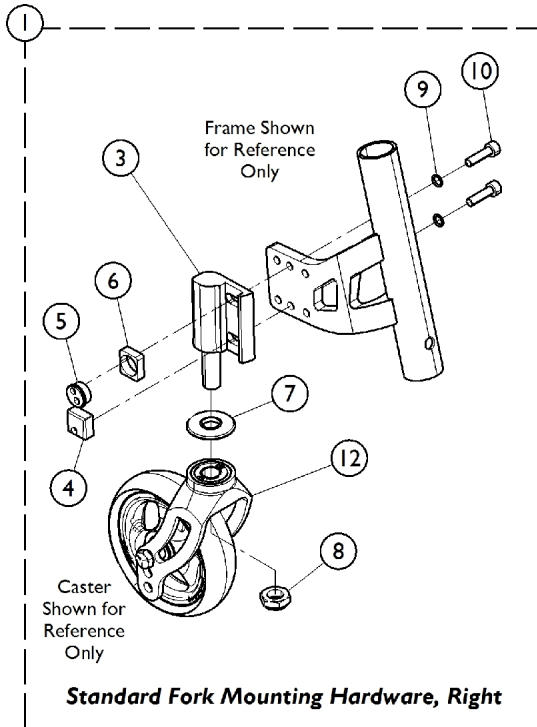


Forks w/ Hardware - Standard (STD) and Frog Leg (FLOSF)

Item Number	Note	Part Number	Description	Quantity Per	
				Package	Assembly
1	B	1143329	Fork Assembly w/ Bearings, Black	1	1
1	B	1159778-NLA	NLA - Fork Assembly w/ Bearings, Silver	1	1
1	B	1159775-NLA	NLA - Fork Assembly w/ Bearings, Blue	1	1
1	B	1159777-NLA	NLA - Fork Assembly w/ Bearings, Red	1	1
2		40117X021	Bearing (1/2" I.D. x 1-1/8" O.D.)	1	2
3	A	1153074-NLA	NLA - Kit, Fork Assembly w/ Hardware, Frog Legs, One Sided Fork (Pair)	2	1

NOTE: A - These forks are sold only in pairs.
 B - When ordering a replacement anodized part, the customized anodized finish may appear slightly different. This subtle difference contributes to its uniqueness. If a uniform appearance is desired, order these parts in pairs.

Fork Mounting Hardware - Standard (STD) and Frog Leg (FLOSF)



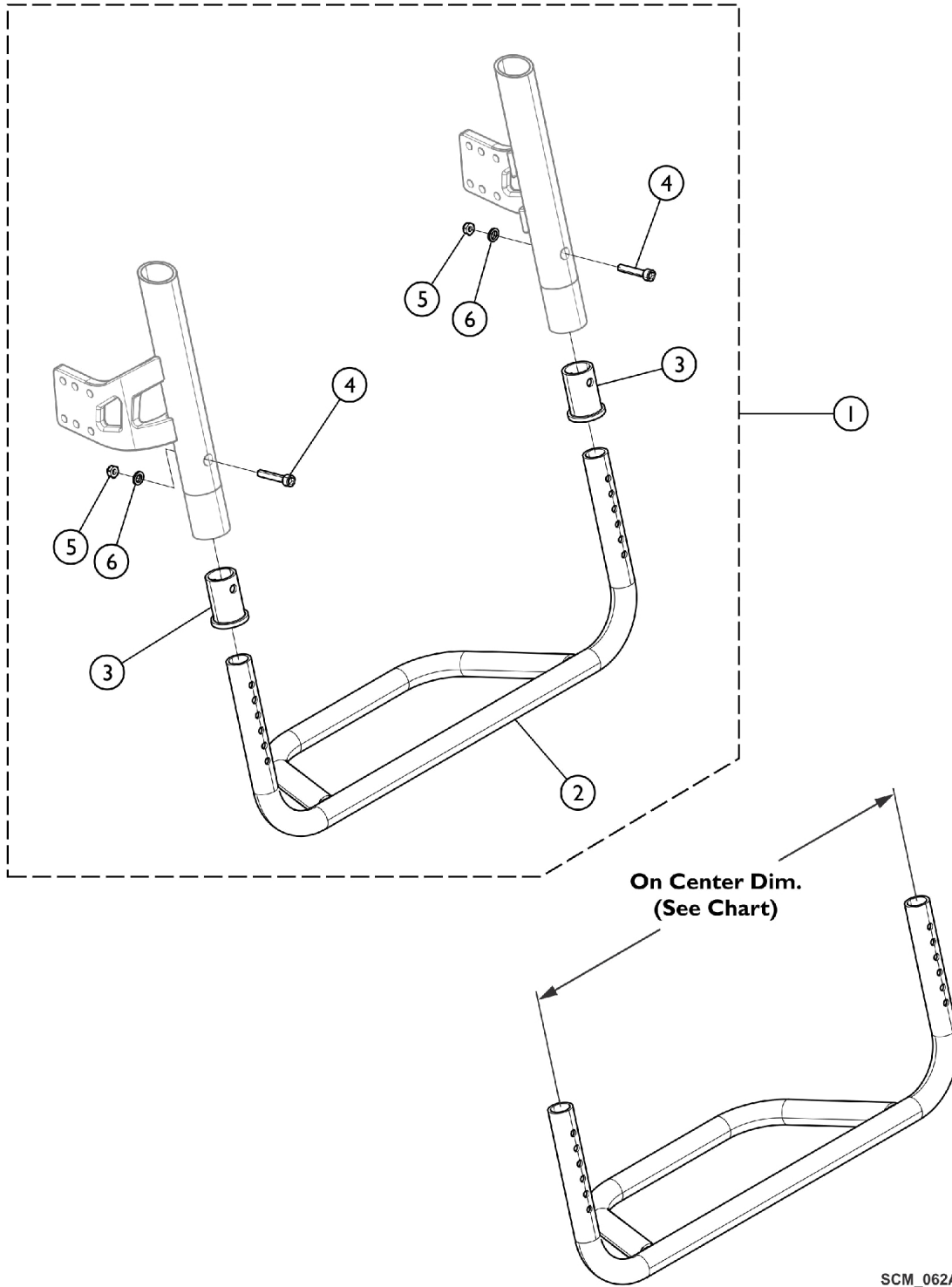
Fork Mounting Hardware - Standard (STD) and Frog Leg (FLOSF)

Item Number	Note	Part Number	Description	Quantity Per		
				Package	Assembly	
1	A	1172691	Kit, Hardware, Standard Fork - Right	1	1	
3			Caster Holder Assembly w/ Screw	1	1	
4			Nut, Square, Caster - Right (M6 x 1)	1	1	
5			Nut, Eccentric (M6 x 1)	1	1	
6			Nut, Eccentric, Base	1	1	
7			Spacer, Fork	1	1	
8			Locknut (1/2-20)	1	1	
9			Washer, Belleville (1/4 x 3/8 x 1/16")	1	2	
10			Screw, Socket Head, Cap (M6 x 1 x 22mm)	1	2	
12			Fork Assembly w/ Bearings, Black	1	1	
1	A		1172692	Kit, Hardware, Standard Fork - Left	1	1
3				Caster Holder Assembly w/ Screw - Left	1	1
4		Nut, Square, Caster - Left (M6 x 1)		1	1	
5		Nut, Eccentric (M6 x 1)		1	1	
6		Nut, Eccentric, Base		1	1	
7		Spacer, Fork		1	1	
8		Locknut (1/2-20)		1	1	
9		Washer, Belleville (1/4 x 3/8 x 1/16")		1	2	
10		Screw, Socket Head, Cap (M6 x 1 x 22mm)		1	2	
12		Fork Assembly w/ Bearings, Black		1	1	
2	B	1180303		Kit, Hardware, Frog Leg Fork - Right	1	1
4				Nut, Square, Caster - Right (M6 x 1)	1	1
5			Nut, Eccentric (M6 x 1)	1	1	
6			Nut, Eccentric, Base	1	1	
9			Washer, Belleville (1/4 x 3/8 x 1/16")	1	2	
10			Screw, Socket Head, Cap (M6 x 1 x 22mm)	1	2	
11		Holder, Caster - Right	1	1		
2	B	1180304	Kit, Hardware, Frog Leg Fork - Left	1	1	
4			Nut, Square, Caster - Left (M6 x 1)	1	1	
5			Nut, Eccentric (M6 x 1)	1	1	
6			Nut, Eccentric, Base	1	1	
9			Washer, Belleville (1/4 x 3/8 x 1/16")	1	2	
10			Screw, Socket Head, Cap (M6 x 1 x 22mm)	1	2	
11		Holder, Caster - Left	1	1		

NOTE: A - Includes items 3, 4, 5, 6, 7, 8, 9, 10, and 12.
B - Includes items 4, 5, 6, 9, 10, and 11.

Footrest and Hardware (CRFTFR)

When choosing Footrests for Tapered and Non-Tapered Frames, Please use the Footplate Kit Reference Chart when making your selections.



Footrest and Hardware (CRFTFR)

When choosing Footrests for Tapered and Non-Tapered Frames, Please use the Footplate Kit Reference Chart when making your selections.

Refer to Item #1 Footrest Kit Reference Chart when Selecting for Tapered and Non-Tapered Frames

Item Number	Note	Part Number	Description	Quantity Per	
				Package	Assembly
1		See Chart	Footrest Kit Reference Chart (CRFTFR)	1	1
1	A	1172746	Kit, Footrest (13" W)	1	1
2			Tube, Footrest (13" W)	1	1
3			Spacer, Footrest	1	2
4			Screw, Socket Head, Cap (M5 x .8 x 30mm)	1	2
5			Nut, Lock (M5 x .8)	1	2
6			Washer, Locking Split (#10)	1	2
1	A	1172747	Kit, Footrest (14" W)	1	1
2			Tube, Footrest (14" W)	1	1
3			Spacer, Footrest	1	2
4			Screw, Socket Head, Cap (M5 x .8 x 30mm)	1	2
5			Nut, Lock (M5 x .8)	1	2
6			Washer, Locking Split (#10)	1	2
1	A	1172748	Kit, Footrest (15" W)	1	1
2			Tube, Footrest (15" W)	1	1
3			Spacer, Footrest	1	2
4			Screw, Socket Head, Cap (M5 x .8 x 30mm)	1	2
5			Nut, Lock (M5 x .8)	1	2
6			Washer, Locking Split (#10)	1	2
1	A	1172749	Kit, Footrest (16" W)	1	1
2			Tube, Footrest (16" W)	1	1
3			Spacer, Footrest	1	2
4			Screw, Socket Head, Cap (M5 x .8 x 30mm)	1	2
5			Nut, Lock (M5 x .8)	1	2
6			Washer, Locking Split (#10)	1	2
1	A	1172750	Kit, Footrest (17" W)	1	1
2			Tube, Footrest (17" W)	1	1
3			Spacer, Footrest	1	2
4			Screw, Socket Head, Cap (M5 x .8 x 30mm)	1	2
5			Nut, Lock (M5 x .8)	1	2
6			Washer, Locking Split (#10)	1	2
1	A	1172751	Kit, Footrest (18" W)	1	1
2			Tube, Footrest (18" W)	1	1
3			Spacer, Footrest	1	2
4			Screw, Socket Head, Cap (M5 x .8 x 30mm)	1	2
5			Nut, Lock (M5 x .8)	1	2
6			Washer, Locking Split (#10)	1	2
1	A	1172752	Kit, Footrest (19" W)	1	1
2			Tube, Footrest (19" W)	1	1
3			Spacer, Footrest	1	2
4			Screw, Socket Head, Cap (M5 x .8 x 30mm)	1	2

Footrest and Hardware (CRFTFR)

When choosing Footrests for Tapered and Non-Tapered Frames, Please use the Footplate Kit Reference Chart when making your selections.

Item Number	Note	Part Number	Description	Quantity Per	
				Package	Assembly
5	A	1172753	Nut, Lock (M5 x .8)	1	2
6			Washer, Locking Split (#10)	1	2
1			Kit, Footrest (20" W)	1	1
2			Tube, Footrest (20" W)	1	1
3			Spacer, Footrest	1	2
4			Screw, Socket Head, Cap (M5 x .8 x 30mm)	1	2
5			Nut, Lock (M5 x .8)	1	2
6			Washer, Locking Split (#10)	1	2

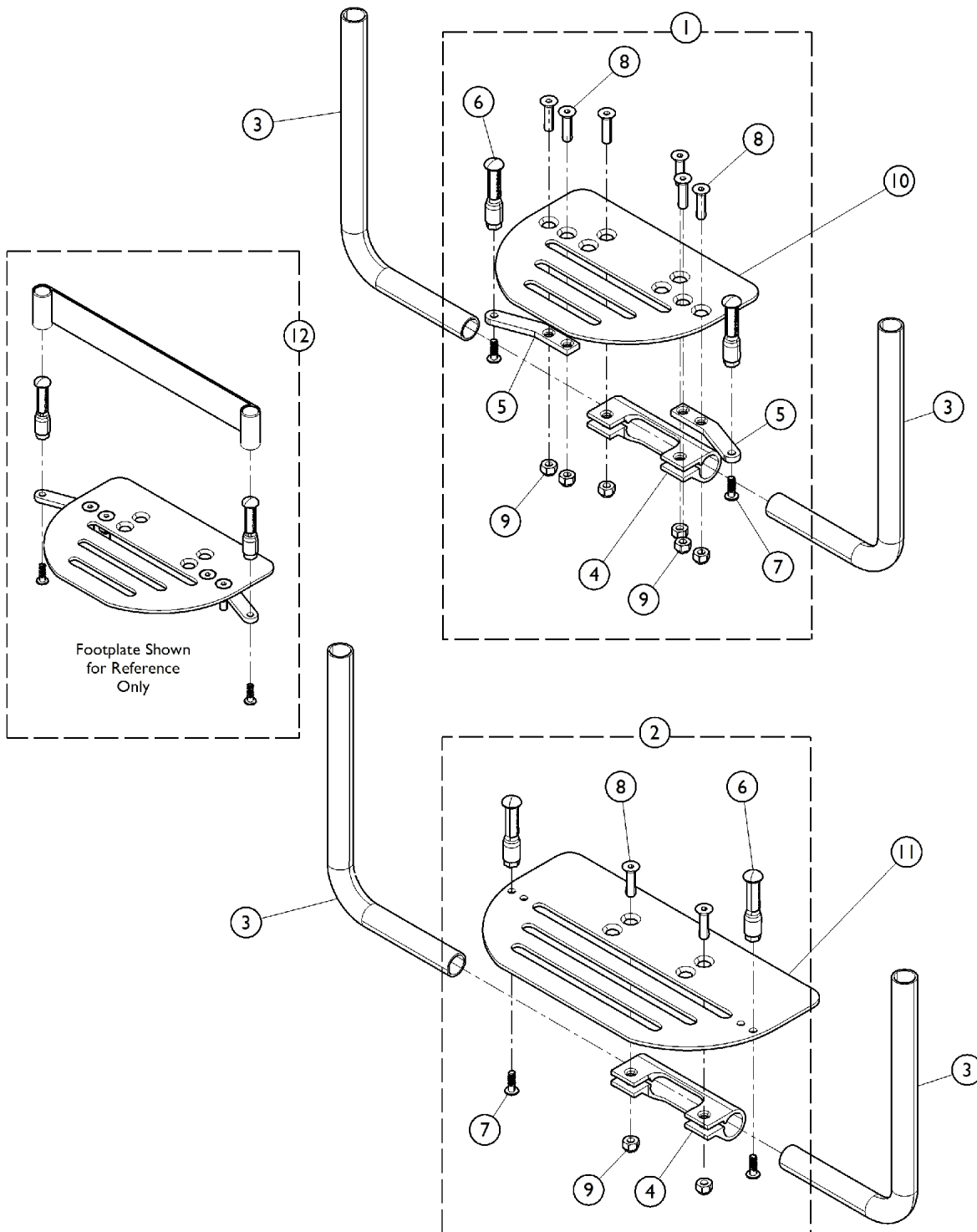
NOTE: A - Kit includes items 2 - 6.

Item #1 Footrest Kit Reference Chart (CRFTFR)

	Non-Tapered Frame 75 and 85 Degree Angle	Tapered Frame 75 Degree Tapered 85 Degree Tapered	Footrest On-Center Dimension (See Illustration) 75 and 85 Degree Angle	Footrest On-Center Dimension (See Illustration) 75, 85 Degree Angle Tapered	Plastic Footrest Cover Non-Tapered	Plastic Footrest Cover Tapered
Chair Width	Part Number	Part Number	Dimension (Inches)	Dimension (Inches)	Part Number	Part Number
13" W	1172746	N/A	11-7/8"	N/A	1179175	N/A
14" W	1172747	N/A	12-7/8"	N/A	1179176	N/A
15" W	1172748	N/A	13-7/8"	N/A	1179177	N/A
16" W	1172749	1172747	14-7/8"	12-7/8"	1179178	1179176
17" W	1172750	1172748	15-7/8"	13-7/8"	1179179	1179177
18" W	1172751	1172749	16-7/8"	14-7/8"	1179180	1179178
19" W	1172752	N/A	17-7/8"	N/A	1179181	N/A
20" W	1172753	N/A	18-7/8"	N/A	1179182	N/A

Footrest and Hardware (CRF1FP)

To order replacement parts for the Foot Positioning Kit (FTCTL), order Part Number 5321579 and Items 1, 2, 3, 10, and 11 based on the correct chair size. Order 5321579 to replace the heel loops only.



Footrest and Hardware (CRF1FP)

To order replacement parts for the Foot Positioning Kit (FTCTL), order Part Number 5321579 and Items 1, 2, 3, 10, and 11 based on the correct chair size. Order 5321579 to replace the heel loops only.

Item Number	Note	Part Number	Description	Quantity Per			
				Package	Assembly		
1	A,C	1179070	Hardware, Footplate w/ Foot Control, Small	1	1		
4			Clamp, Footrest	1	1		
5			NLA - Bracket, Heel Peg	1	2		
6			Peg, Heel Strap	1	2		
7			Screw, Phillips, Delta Point (K45 x 16mm)	1	2		
8			Screw, Socket, Flat Head (1/4-28 x 1")	1	6		
9			Locknut (1/4-28)	1	6		
2			B,D	1179069	Hardware, Footplate w/ Foot Control, Large	1	1
4					Clamp, Footrest	1	1
6	Peg, Heel Strap	1			2		
7	Screw, Phillips, Delta Point (K45 x 16mm)	1			2		
8	Screw, Socket, Flat Head (1/4-28 x 1")	1			2		
9	Locknut (1/4-28)	1			2		
3		See Chart	Item #3 Adjustable Footrest Tube	1	1		
10	C	See Chart	Items #10 and #11 Footplates	1	1		
11	D	See Chart	Items #10 and #11 Footplates	1	1		
12	E	5321579	Heel Loop w/ Hardware (Pair)	2	1		

NOTE: A - Includes items 4 - 9.
 B - Includes items 4 and 6 - 9.
 C - For use with chairs 12 - 17" W.
 D - For use with chairs 18 - 20" W.
 E - Includes (4) Heel Strap Pegs, (4) Screws, and (2) Heel Loops.

Item #3 Adjustable Footrest Tube

Chair Width	Part Number	Used w/ Hardware Kit
12" W	1178780	1179070
13" W	1178781	1179070
14" W	1178782	1179070
15" W	1178783	1179070
16" W	1178784	1179070
17" W	1178785	1179070
18" W	1178786	1179069
19" W	1178787	1179069
20" W	1178788	1179069

Items #10 and #11 Footplates

Chair Width	Part Number	Item Number	Use w/ Hardware Kit
-------------	-------------	-------------	---------------------

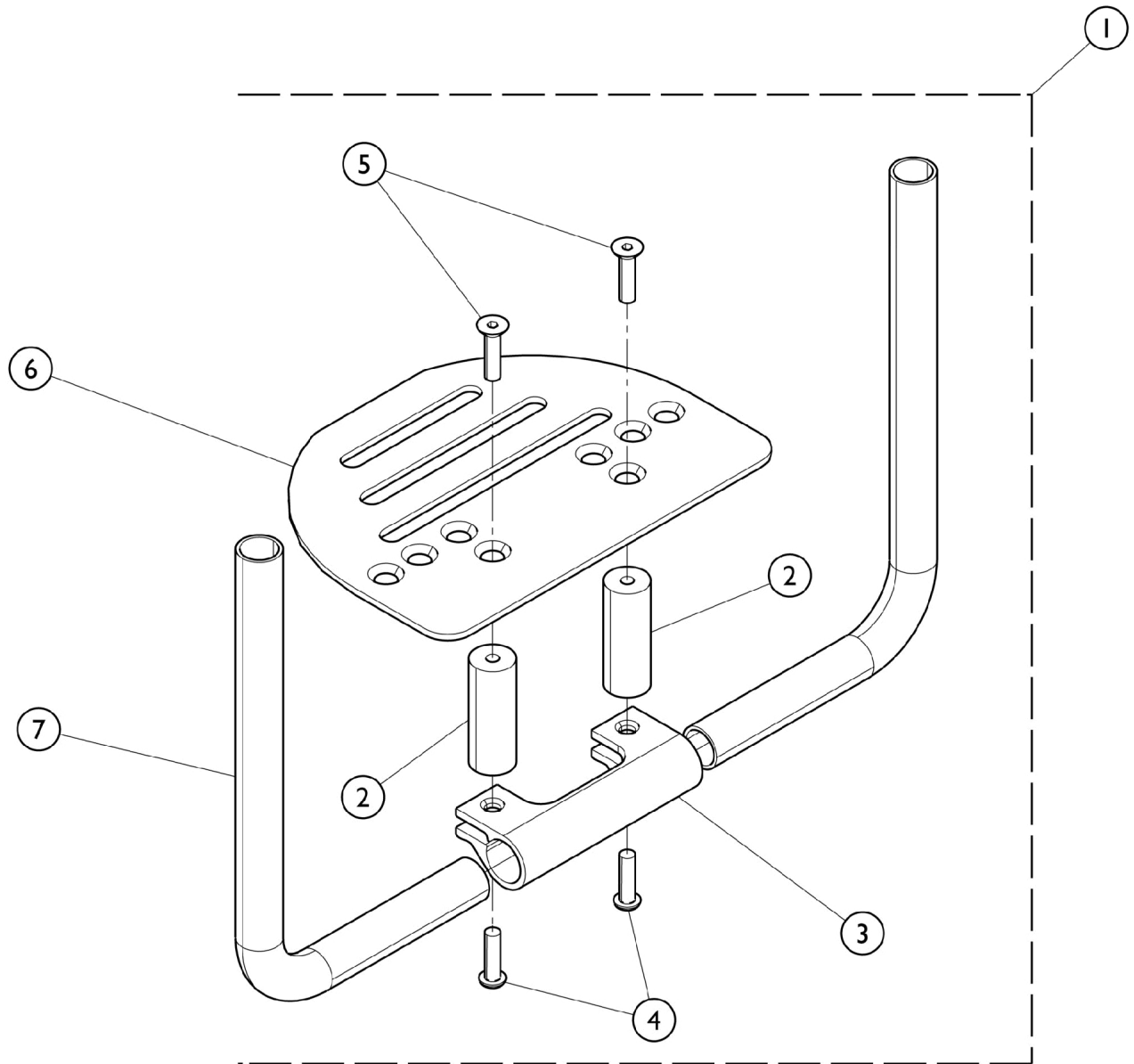
Footrest and Hardware (CRF1FP)

To order replacement parts for the Foot Positioning Kit (FTCTL), order Part Number 5321579 and Items 1, 2, 3, 10, and 11 based on the correct chair size. Order 5321579 to replace the heel loops only.

Items #10 and #11 Footplates

Chair Width	Part Number	Item Number	Use w/ Hardware Kit
12 - 13" W	1143290-NLA	10	1179070
14 - 15" W	1143291-NLA	10	1179070
16" W	1143292-NLA	10	1179070
17" W	1143293	10	1179070
18" W	1143286-NLA	11	1179069
19" W	1179067	11	1179069
20" W	1179068	11	1179069

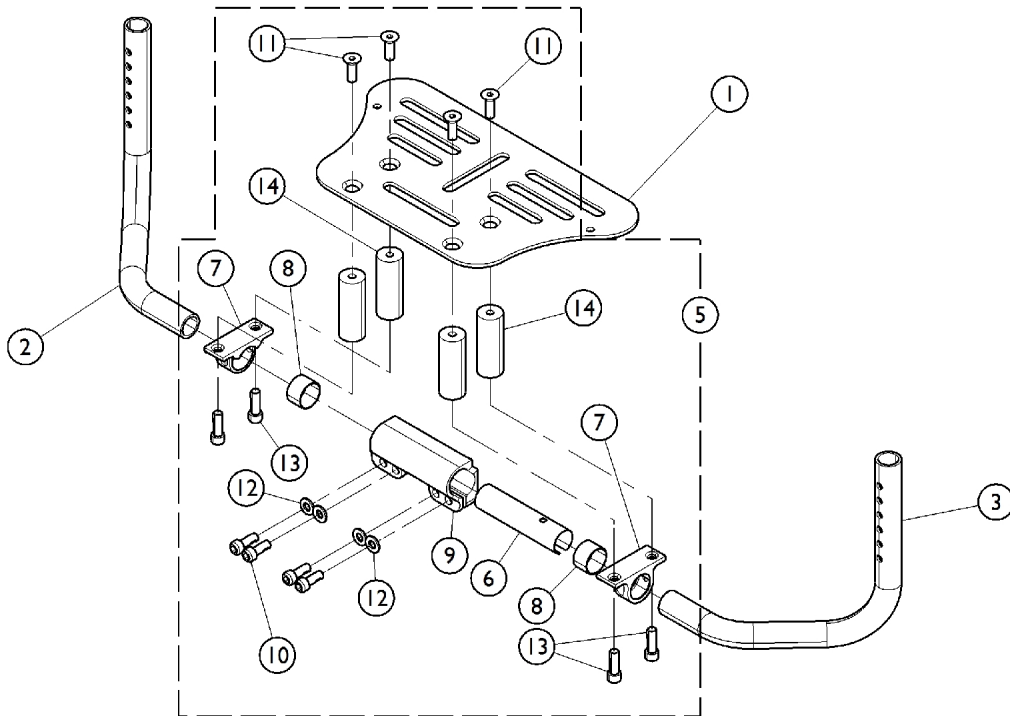
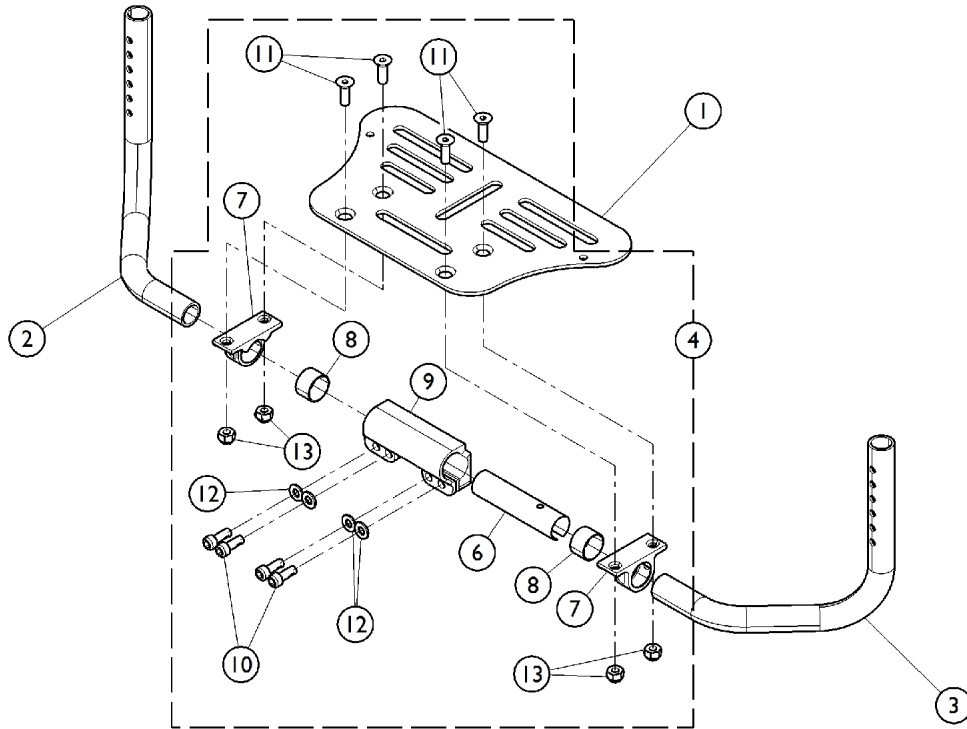
Front Riggings - Footrest and Hardware (CRF191)



Front Riggings - Footrest and Hardware (CRF191)

Item Number	Note	Part Number	Description	Quantity Per	
				Package	Assembly
1	A	1170248-NLA	NLA - Kit, Hardware, Footplate, 2" Spacer Riser	1	1
2			Spacer (16/64 x 3/4 x 2")	1	2
3			Clamp, Footrest	1	1
4			NLA - Screw, Button Head Cap (1/4-28 x 7/8")	1	2
5			Screw, Socket, Flat Head (1/4-28 x 1")	1	2
6	B	1143290-NLA	NLA - Footplate (6-1/2" W)	1	1
6	C	1143291-NLA	NLA - Footplate (7-1/2" W)	1	1
6	D	1143292-NLA	NLA - Footplate (8-1/2" W)	1	1
6	E	1143286-NLA	NLA - Footplate (10-1/2" W)	1	1
7		1143283	Tube, Support, Footrest, Tapered, Black	1	2
7		1143282-NLA	NLA - Tube, Support, Footrest, V Front, Black	1	2
NOTE: A - Includes items 2, 3, 4, and 5. B - For use on chairs 12 - 13" Wide. C - For use on chairs 14 - 15" Wide. D - For use on chairs 16 - 17" Wide. E - For use on chairs 18 - 19" Wide.					

Front Riggings - Footrest and Hardware (FLPFP and FLPFP2)



Front Riggings - Footrest and Hardware (FLPFP and FLPFP2)

Item Number	Note	Part Number	Description	Quantity Per	
				Package	Assembly
1		1184073	Footplate, Small, Black (10")	1	1
1		1184074	Footplate, Large, Black (12")	1	1
2		See Chart	#2. Front Rigging Tubes - Right	1	1
3		See Chart	#3. Front Rigging Tubes - Left	1	1
4	A	1184114	Kit, Hardware, Flip Up Footplate	1	1
6			Sleeve, Spacer, Footrest	1	1
7			Bracket, Flip Up, Footrest	1	2
8			Sleeve, Footrest Bracket	1	2
9			Clamp, Footrest, Flip Up	1	1
10			NLA - Screw, Socket Head (M6 x 1 x 16mm)	1	4
11			Screw, Socket Flat Head (1/4-28 x 3/4")	1	4
12			NLA - Washer, Steel (1/4 x 1/2 x 3/64")	1	4
13			Locknut (1/4-28)	1	4
5	B	1184115	Kit, Hardware, Flip Up Footplate w/ Spacers	1	1
6			Sleeve, Spacer, Footrest	1	1
7			Bracket, Flip Up, Footrest	1	2
8			Sleeve, Footrest Bracket	1	2
9			Clamp, Footrest, Flip Up	1	1
10			NLA - Screw, Socket Head (M6 x 1 x 16mm)	1	4
11			Screw, Socket Flat Head (1/4-28 x 3/4")	1	4
12			NLA - Washer, Steel (1/4 x 1/2 x 3/64")	1	4
13			NLA - Screw, Socket Head, Cap (1/4-28 x 3/4")	1	4
14			Spacer (16/64 x 3/4 x 2")	1	4

NOTE: A - Kit includes items 6 - 13.
B - Kit includes items 6 - 14.

#2. Front Rigging Tubes - Right

Chair Width	Part Number
14" Wide	1184097-NLA
15" Wide	1184099-NLA
16" Wide	1184101-NLA
17" Wide	1184103-NLA
18" Wide	1184105-NLA

#3. Front Rigging Tubes - Left

Chair Width	Part Number
14" Wide	1184098-NLA

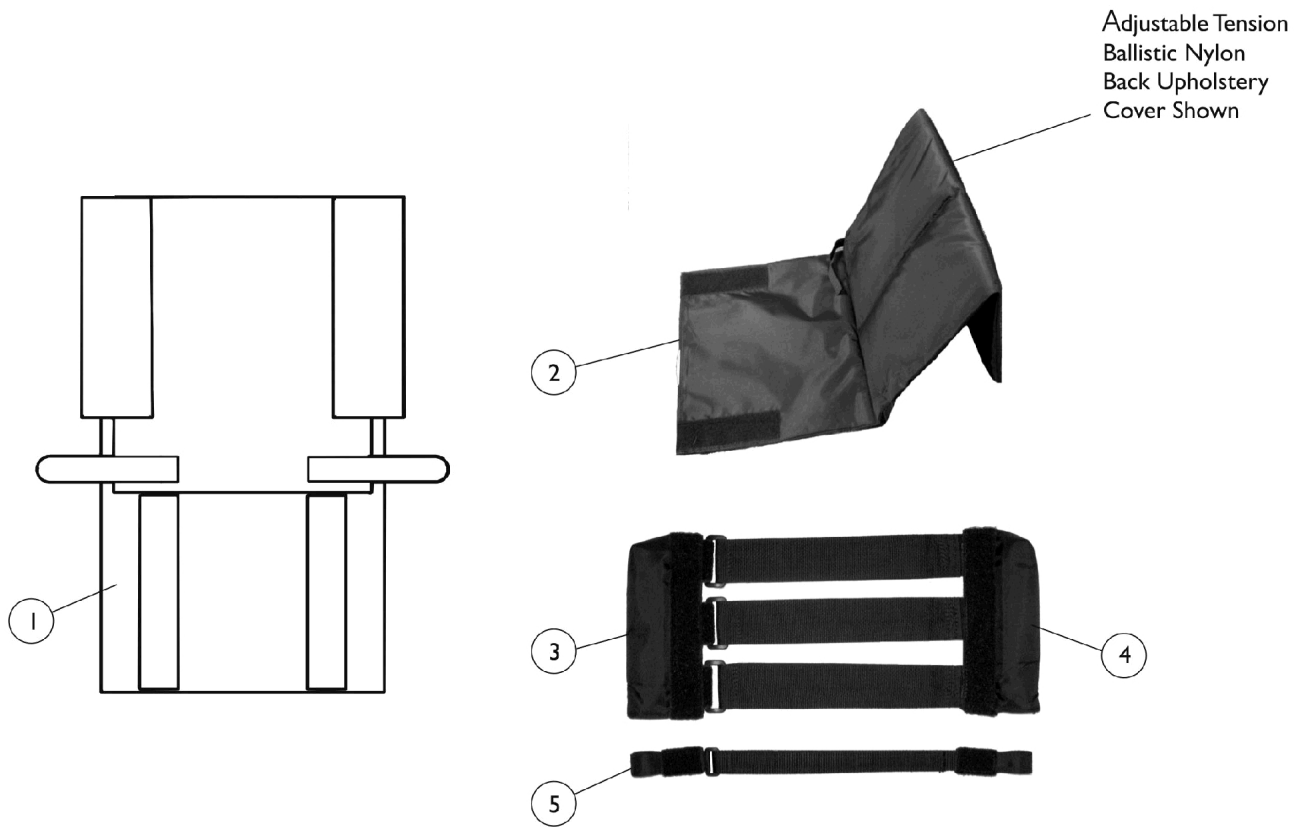
Front Riggings - Footrest and Hardware (FLPFP and FLPFP2)

#3. Front Rigging Tubes - Left

Chair Width	Part Number
15" Wide	1184100-NLA
16" Wide	1184102-NLA
17" Wide	1184104-NLA
18" Wide	1184106-NLA

Back Upholstery

For Back Frames see Category "Frames - Base, Seat, and Backrest" for more information.



Back Upholstery

For Back Frames see Category "Frames - Base, Seat, and Backrest" for more information.

Item #1 Fold Over Ballistic Nylon Back Upholstery Cover

Back Height	8 - 11" High	10 -14" High	12 - 16" High	14 - 18" High	16 - 20" High
12" Wide	1145598-NLA	1145607-NLA	1145616-NLA	1145625-NLA	1145634-NLA
13" Wide	1145599-NLA	1145608-NLA	1145617-NLA	1145626-NLA	1145635-NLA
14" Wide	1145600	1145609	1145618	1145627	1145636
15" Wide	1145601	1145610	1145619	1145628	1145637
16" Wide	1145602	1145611	1145620	1145629	1145638
17" Wide	1145603	1145612	1145621	1145630	1145639
18" Wide	1145604	1145613	1145622	1145631	1145640
19" Wide	1145605	1145614	1145623	1145632	1145641
20" Wide	1145606	1145615	1145624	1145633	1145642

Back Upholstery

For Back Frames see Category "Frames - Base, Seat, and Backrest" for more information.

Item #2 Adjustable Tension Ballistic Nylon Back

Back Height	8 - 11" High	10 - 14" High	12 - 16" High	14 - 18" High	16 - 20" High
12" Wide	1143944-NLA	1143953-NLA	1143962-NLA	1143971-NLA	1143980-NLA
13" Wide	1143945-NLA	1143954-NLA	1143963-NLA	1143972-NLA	1143981-NLA
14" Wide	1143946-NLA	1143955-NLA	1143964-NLA	1143973-NLA	1143982-NLA
15" Wide	1143947-NLA	1143956-NLA	1143965-NLA	1143974-NLA	1143983-NLA
16" Wide	1143948-NLA	1143957-NLA	1143966-NLA	1143975-NLA	1143984-NLA
17" Wide	1143949-NLA	1143958-NLA	1143967-NLA	1143976-NLA	1143985-NLA
18" Wide	1143950-NLA	1143959-NLA	1143968-NLA	1143977-NLA	1143986-NLA
19" Wide	1143951-NLA	1143960-NLA	1143969-NLA	1143978-NLA	1143987-NLA
20" Wide	1143952-NLA	1143961-NLA	1143970-NLA	1143979-NLA	1143988-NLA

Back Upholstery

For Back Frames see Category "Frames - Base, Seat, and Backrest" for more information.

Item #2 Adjustable Tension Breathable Mesh Back

	8 - 11" High	10 -14" High	12 - 16" High	14 - 18" High	16 - 20" High
12" Wide	1172700	1172709	1172718	1172727	1172736
13" Wide	1172701	1172710	1172719	1172728	1172737
14" Wide	1172702	1172711	1172720	1172729	1172738
15" Wide	1172703	1172712	1172721	1172730	1172739
16" Wide	1172704-NLA	1172713	1172722	1172731	1172740
17" Wide	1172705	1172714	1172723	1172732	1172741
18" Wide	1172706	1172715	1172724	1172733	1172742
19" Wide	1172707	1172716	1172725	1172734	1172743
20" Wide	1172708	1172717	1172726	1172735	1172744

Item #3 Adjustable Tension Back Upholstery - Anchor

Back Height	8 - 11" High	10 - 14" High	12 - 16" High	14 - 18" High	16 - 20" High
12 - 17" Wide	1143989-NLA	1143990-NLA	1143991-NLA	1143992-NLA	1143993-NLA
18 - 20" Wide	1160568-NLA	1160569-NLA	1160570-NLA	1160571-NLA	1160572-NLA

Back Upholstery

For Back Frames see Category "Frames - Base, Seat, and Backrest" for more information.

Item #3 Adjustable Tension Back Upholstery - Anchor - For Bolt Through Integral Push Handle

Back Height	8 - 11" High	10 - 14" High	12 - 16" High	14 - 18" High	16 - 20" High
12 - 17" Wide	1145665-NLA	1145666-NLA	1145667-NLA	1145668-NLA	1145669-NLA
18 - 20" Wide	1160573-NLA	1160574-NLA	1160575-NLA	1160576-NLA	1160577-NLA

Item #4 Adjustable Tension Back Upholstery - Adjuster

Back Height	8 - 11" High	10 - 14" High	12 - 16" High	14 - 18" High	16 - 20" High
12" Wide	1143994-NLA	1144003-NLA	1144012-NLA	1144021-NLA	1144533-NLA
13" Wide	1143995-NLA	1144004-NLA	1144013-NLA	1144022-NLA	1144534-NLA
14" Wide	1143996-NLA	1144005-NLA	1144014-NLA	1144023-NLA	1144535-NLA
15" Wide	1143997-NLA	1144006-NLA	1144015-NLA	1144024-NLA	1144536-NLA
16" Wide	1143998-NLA	1144007-NLA	1144016-NLA	1144025-NLA	1144537-NLA
17" Wide	1143999-NLA	1144008-NLA	1144017-NLA	1144026-NLA	1144538-NLA
18" Wide	1144000-NLA	1144009-NLA	1144018-NLA	1144027-NLA	1144539-NLA
19" Wide	1144001-NLA	1144010-NLA	1144019-NLA	1144028-NLA	1144540-NLA
20" Wide	1144002-NLA	1144011-NLA	1144020-NLA	1144029-NLA	1144541-NLA

Back Upholstery

For Back Frames see Category "Frames - Base, Seat, and Backrest" for more information.

Item #4 Adjustable Tension Back Upholstery - Adjuster - For Bolt Through Integral Push Handle

Back Height	8 - 11" High	10 - 14" High	12 - 16" High	14 - 18" High	16 - 20" High
12" Wide	1146777-NLA	1146786-NLA	1146795-NLA	1146804-NLA	1146813-NLA
13" Wide	1146778-NLA	1146787-NLA	1146796-NLA	1146805-NLA	1146814-NLA
14" Wide	1146779-NLA	1146788-NLA	1146797-NLA	1146806-NLA	1146815-NLA
15" Wide	1146780-NLA	1146789-NLA	1146798-NLA	1146807-NLA	1146816-NLA
16" Wide	1146781-NLA	1146790-NLA	1146799-NLA	1146808-NLA	1146817-NLA
17" Wide	1146782-NLA	1146791-NLA	1146800-NLA	1146809-NLA	1146818-NLA
18" Wide	1146783-NLA	1146792-NLA	1146801-NLA	1146810-NLA	1146819-NLA
19" Wide	1146784-NLA	1146793-NLA	1146802-NLA	1146811-NLA	1146820-NLA
20" Wide	1146785-NLA	1146794-NLA	1146803-NLA	1146812-NLA	1146821-NLA

Item #5 Adjustable Tension Back Upholstery - Lumbar Support Strap

Chair Width	Part Number
12" Wide	1160558
13" Wide	1160559-NLA
14" Wide	1160560-NLA
15" Wide	1160561-NLA
16" Wide	1160562-NLA
17" Wide	1160563-NLA
18" Wide	1160564-NLA
19" Wide	1160565-NLA
20" Wide	1160566-NLA

Upholstery - Seat

Upholstery - Seat (12 - 15" Deep)

Chair Depth	12" D	13" D	14" D	15" D
12" Wide	1176993-NLA	1176996	1176999	N/A
13" Wide	1176994	1176997	1177000	N/A
14" Wide	1176995	1176998	1177001	1177006
15" Wide	N/A	N/A	1177002	1177007
16" Wide	N/A	N/A	1177003	1177008
17" Wide	N/A	N/A	1177004	1177009
18" Wide	N/A	N/A	1177005	1177010

12" wide and 13" wide are only available with 14" deep wheelchairs or less. 14" wide and 15" wide are not available with 19 or 20" deep. 16" wide not available with 20" deep wheelchairs. 20" wide not available with 14" or 15" deep wheelchairs.

Upholstery - Seat (16 - 20" Deep)

Chair Depth	16" D	17" D	18" D	19" D	20" D
14" Wide	1177011	1177018	1177025	N/A	N/A
15" Wide	1177012	1177019	1177026	N/A	N/A
16" Wide	1177013	1177020	1177027	1177032	N/A
17" Wide	1177014	1177021	1177028	1177033	1177037
18" Wide	1177015	1177022	1177029	1177034	1177038
19" Wide	1177016	1177023	1177030	1177035	1177039
20" Wide	1177017	1177024	1177031	1177036	1177040

14" wide and 15" wide are not available with 19 or 20" deep. 16" wide not available with 20" deep wheelchairs. 20" wide not available with 14" or 15" deep wheelchairs.

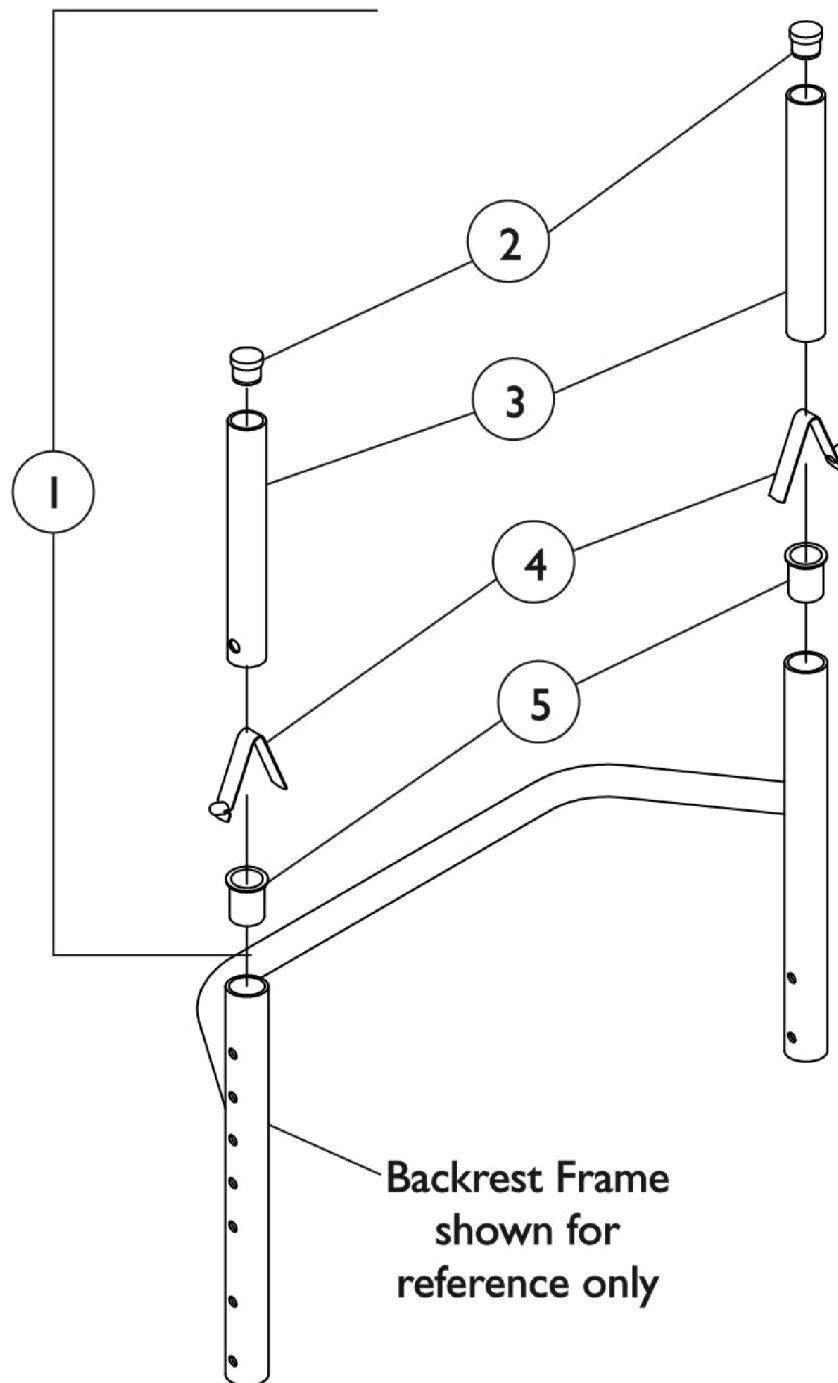
Upholstery - Seat

Upholstery - Seat Hardware

12 - 13" D	14" D	15 - 16" D	17 - 18" D	19 - 20" D
1178768	1178764	1178765	1178766	1178767

Back Canes w/o Push Handles

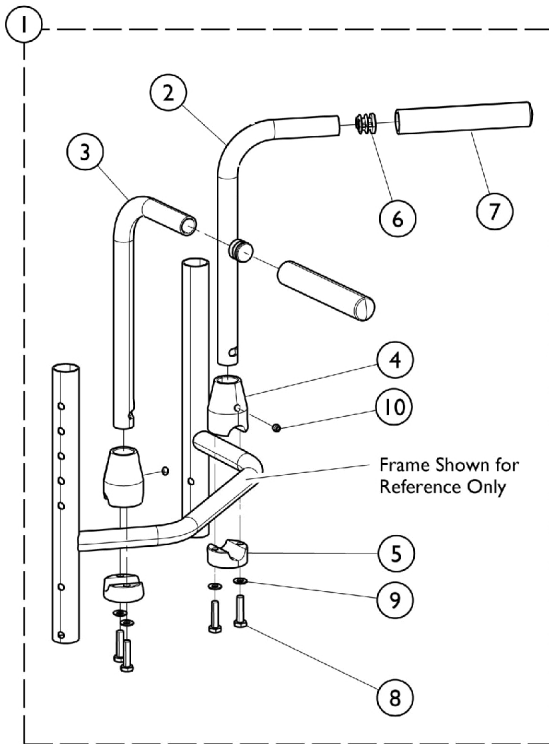
(LKDWN-Standard) Lock-Down, Folding Height/Angle Adjustable Back



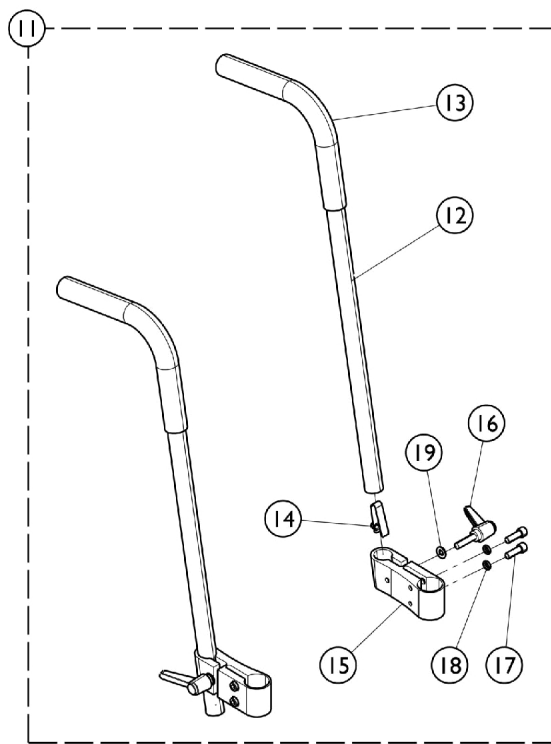
Back Canes w/o Push Handles (LKDWN-Standard) Lock-Down, Folding Height/Angle Adjustable Back

Item Number	Note	Part Number	Description	Quantity Per	
				Package	Assembly
1	A,B	1170299	NLA - Kit, Back Canes, Adjustable w/o Push Handle Hardware (8 - 11" H)	1	1
2			NLA - Plug Button, Dome, Black (3/4")	1	2
3			NLA - Tube, Insert, Adjustable Back (8 - 11" H)	1	2
4			Spring, Torsion w/ Button	1	2
5			Spacer, Flanged, Black	1	2
1	C,A	1170250	NLA - Kit, Back Canes, Adjustable w/o Push Handle Hardware, (10-14"/16-20" H)	1	1
2			NLA - Plug Button, Dome, Black (3/4")	1	2
3			NLA - Tube, Insert, Adjustable Back (10 - 20" H)	1	2
4			Spring, Torsion w/ Button	1	2
5			Spacer, Flanged, Black	1	2
NOTE: A - Includes items 2 - 5 B - 8-11" High Backs C - 10-14", 12-16", 14-18", and 16-20" High Backs					

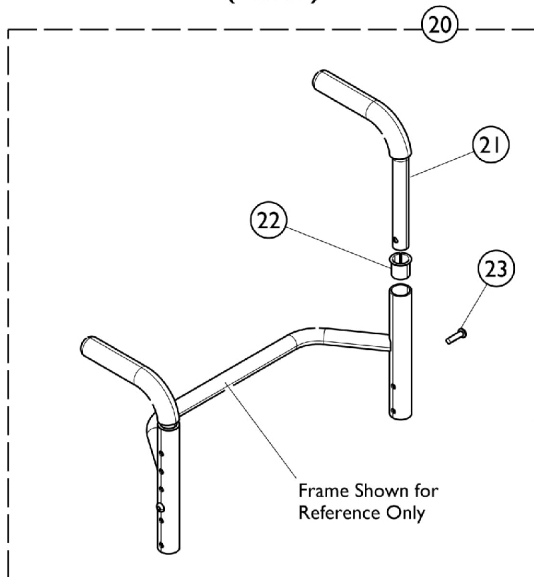
Back Canes w/ Push Handle Assemblies



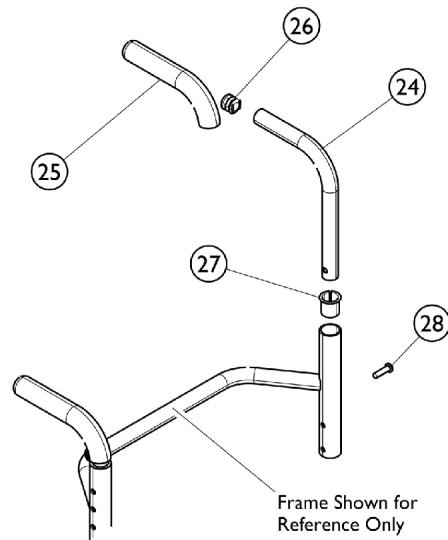
**Bolt-On Non-Adjustable Height
(CRF13)**



**Bolt-On Adjustable Height
(CRF82)**



**Bolt Through Integral
(CRF97)**



**Bolt Thru Integral (CRF97)
(Chairs built before 6/4/2012)**

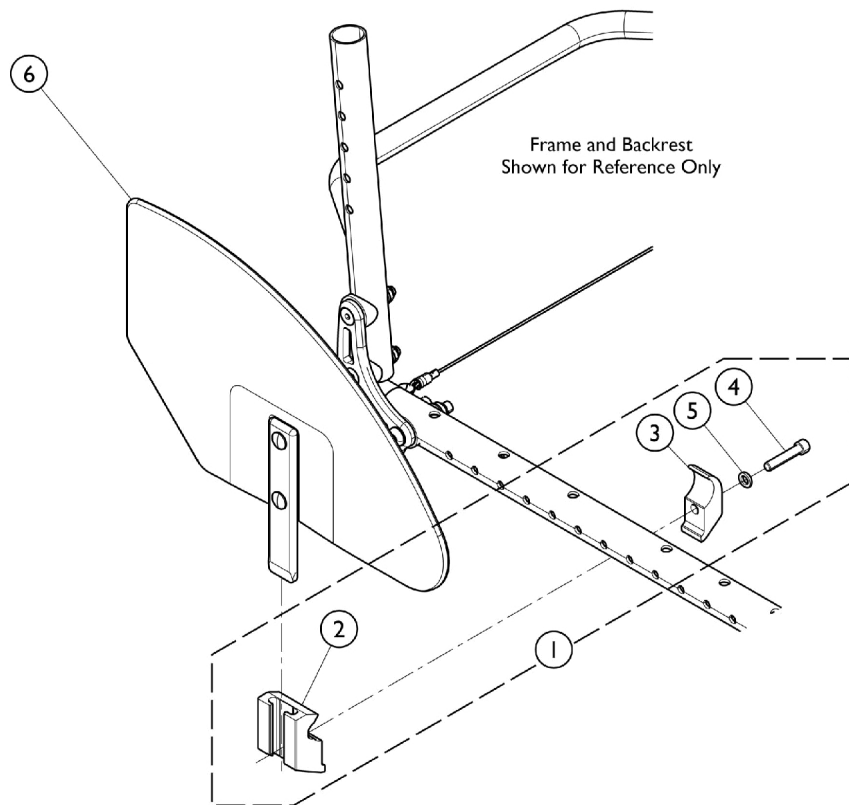
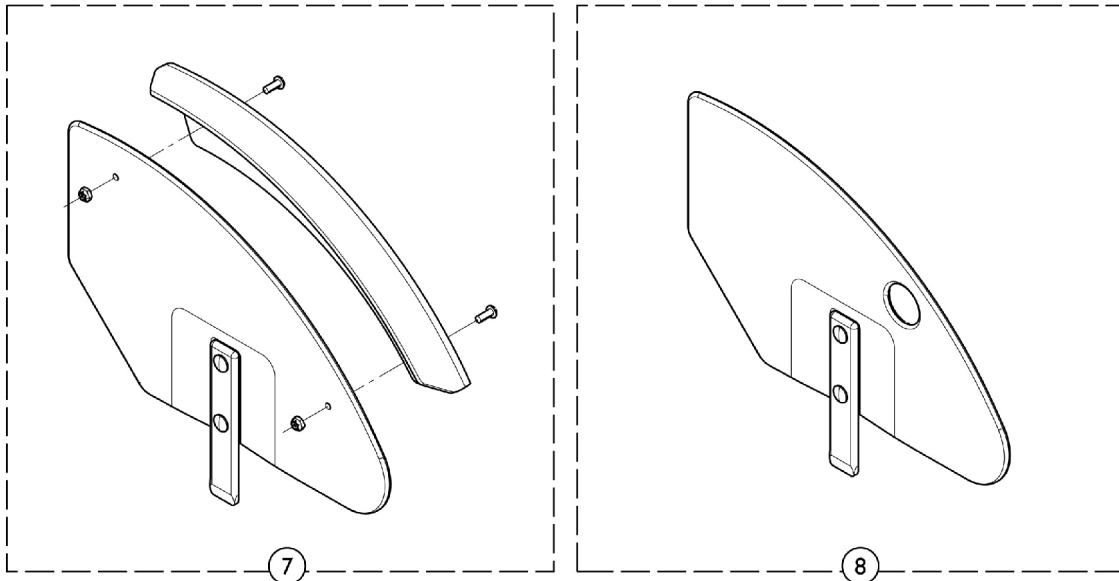
Back Canes w/ Push Handle Assemblies

Item Number	Note	Part Number	Description	Quantity Per	
				Package	Assembly
1	A	1032213-NLA	NLA - Push Handle Assembly w/ Hardware, Bolt On (Pair)	2	1
2		1032210-NLA	NLA - Handle, Push, Black - Left	1	1
3		1032209-NLA	NLA - Handle, Push, Black - Right	1	1
4		1032211-NLA	NLA - Clamp, Threaded, Top	1	2
5		1032212-NLA	NLA - Clamp, Non-Threaded, Bottom	1	2
6		1027097	Plug Button, Black (3/4")	1	2
7		1028431-NLA	NLA - Grip, Foam, Black (5")	1	2
8		1025713-NLA	NLA - Screw, Hex Head (1/4-20 x 1")	1	4
9		1026907	Washer (1/4 x 1/2 x 1/16")	1	4
10		1032217-NLA	NLA - Screw, Set Flat Point (1/4-20 x 1")	1	2
11	B	1116587-NLA	NLA - Kit, Push Handle Assembly w/ Hardware, Adjustable Height (Pair)	1	1
12			Tube, Push Handle	1	2
13			Grip, Foam (8")	1	2
14			Spring, Torsion w/ Button	1	2
15			NLA - Clamp, Push Handle - Right	1	1
15			Clamp, Push Handle - Left	1	1
16			Lever	1	2
17			NLA - Screw, Socket Head (1/4-20 X 3/4")	1	4
18			NLA - Lockwasher, High Collar, Split (1/4")	1	4
19			Washer (1/4 x 1/2 x 1/16")	1	2
20	C,D	1163659-NLA	NLA - Kit, Push Handle Assembly w/ Hardware, Integral (Pair) (8-11" H)	1	1
21			Back Cane Assembly, Integral	1	2
22			Bushing, Pivot	1	2
23			Screw, Socket Button Head (1/4-20 x 7/8")	1	2
			Package, Screw with Washer (#10 x 7/8") (Pair)	2	1
20	C,E	1145663-NLA	NLA - Kit, Push Handle Assembly w/ Hardware, Integral (Pair)	1	1
21			Push Handle Assembly, Integral	1	2
22			Bushing, Pivot	1	2
23			Screw, Socket Button Head (1/4-20 x 7/8")	1	2
			Package, Screw with Washer (#10 x 7/8") (Pair)	2	1
24	F	1050072-NLA	NLA - Back Cane w/ Push Handle, Straight (10-14" H)	1	2
24	G	1050073-NLA	NLA - Back Cane w/ Push Handle, Straight (12-16" H)	1	2
24	H	1088491-NLA	NLA - Back Cane w/ Push Handle, Straight (14-18" H)	1	2
24	I	1040785-NLA	NLA - Back Cane w/ Push Handle, Straight (16-20" H)	1	2
25	J	1006229	Grip, Foam (8")	1	2
26	J	1027097	Plug Button, Black (3/4")	1	2
27	J	1140378	Spacer, Flanged, Black	1	2
28	J	1154988	Screw, Socket Button Head (1/4-20 x 7/8")	1	2

Back Canes w/ Push Handle Assemblies

NOTE: A - Includes items 2 - 10.
B - Includes items 12 - 19.
C - Includes items 21 - 23. Package, Screw w/ Washer is not shown.
D - Kit covers 8-11" back heights
E - Kit covers 10-14", 12-16", 14-18" and 16-20" back heights. Use as the replacement part for all chairs manufactured before 6/4/2012.
F - For use with 10-14" Back Heights. Use to replace parts for chairs manufactured before 6/4/2012.
G - For use with 12-16" Back Heights. Use to replace parts for chairs manufactured before 6/4/2012.
H - For use with 14-18" Back Heights. Use to replace parts for chairs manufactured before 6/4/2012.
I - For use with 16-20" Back Heights. Use to replace parts for chairs manufactured before 6/4/2012.
J - Use to replace parts for chairs manufactured before 6/4/2012.

Clothing Guard - Removable Side Guard



Clothing Guard - Removable Side Guard

Item Number	Note	Part Number	Description	Quantity Per	
				Package	Assembly
1	A	1036342	Kit, Side Guard Hardware (Pair)	1	1
2		1032249	Clamp, Half, Threaded	1	2
3		1018692-NLA	NLA - Clamp, Half, Non-Threaded	1	2
4		1003545	Screw, Socket Head (1/4-20 x 1-1/4")	1	2
5		1013971	Washer, Nylon (1/4 x 7/16 x 5/64")	1	2
6		See Chart	Item #6 - Clothing Guard w/o Quad Hole and No Fender	1	1
7		See Chart	Item #7 - Clothing Guard w/ Fender and No Quad Hole	1	1
8		See Chart	Item #8 - Clothing Guard w/ Quad Hole and No Fender	1	1

NOTE: A - Includes items 2 - 5.

Item #6 - Clothing Guard w/o Quad Hole and No Fender

Model	Guard	22 and 24" Wheels	25 and 26" Wheels
CRF19	Right Side	1036346	1036344
CRF19	Left Side	1036347	1036345

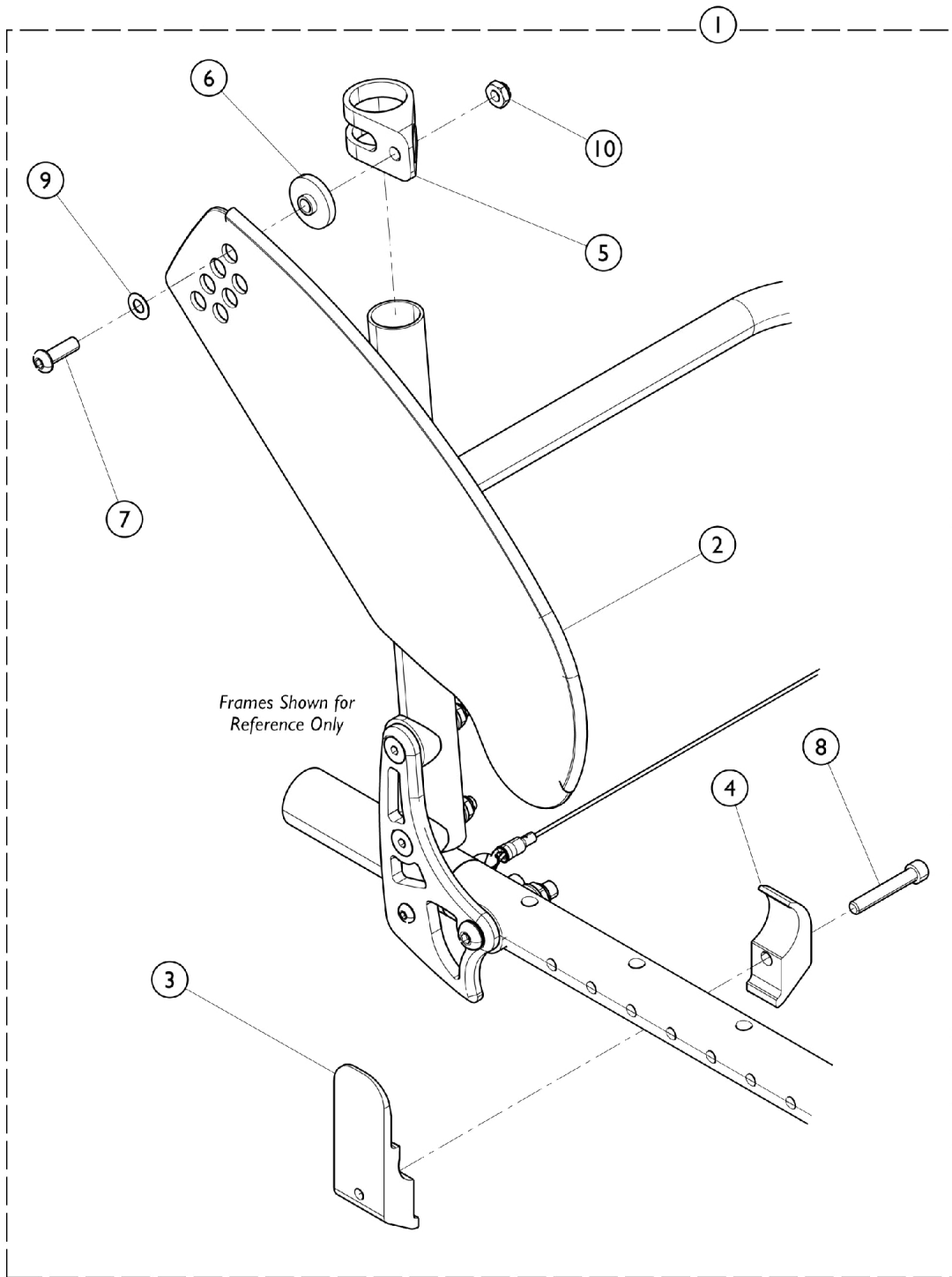
Item #7 - Clothing Guard w/ Fender and No Quad Hole

Model	Guard	22 and 24" Wheels	25 and 26" Wheels
CRF79	Right Side	1145643-NLA	1145645-NLA
CRF79	Left Side	1145644-NLA	1145646-NLA

Item #8 - Clothing Guard w/ Quad Hole and No Fender

Model	Guard	22 and 24" Wheels	25 and 26" Wheels
CRF18	Right Side	1036407	1036405
CRF18	Left Side	1036408	1036406

Clothing Guard - Fold In Style Side Guard



Clothing Guard - Fold In Style Side Guard

Item Number	Note	Part Number	Description	Quantity Per	
				Package	Assembly
1	A	1160550-NLA	NLA - Kit, Guard, Side, Folding, Aluminum, Black - Small	1	1
2			NLA - Side Guard w/ Edge Trim Assembly, Folding, Aluminum, Black - Small	1	1
3			NLA - Clamp, Wedge	1	1
4			NLA - Clamp, Wedge	1	1
5			NLA - Bracket, Swing	1	1
6			Spacer (1/4 x 1 x 17/64")	1	1
7			NLA - Screw, Socket, Button Head (1/4-28 x 3/4")	1	1
8			NLA - Screw, Socket Head (1/4-28 x 1-1/2")	1	1
10			Locknut (1/4-28)	1	1
1	A		1160551-NLA	NLA - Kit, Guard, Side, Folding, Aluminum, Black - Large	1
2		NLA - Side Guard w/ Edge Trim Assembly, Folding, Aluminum, Black - Large		1	1
3		NLA - Clamp, Wedge		1	1
4		NLA - Clamp, Wedge		1	1
5		NLA - Bracket, Swing		1	1
6		Spacer (1/4 x 1 x 17/64")		1	1
7		NLA - Screw, Socket, Button Head (1/4-28 x 3/4")		1	1
8		NLA - Screw, Socket Head (1/4-28 x 1-1/2")		1	1
10		Locknut (1/4-28)		1	1
1	B	1160543-NLA		NLA - Kit, Guard, Side, Folding, Carbon Fiber, Black - Small	1
2			NLA - Side Guard w/ Edge Trim Assembly, Folding, Carbon Fiber, Black - Small	1	1
3			NLA - Clamp, Wedge	1	1
4			NLA - Clamp, Wedge	1	1
5			NLA - Bracket, Swing	1	1
6			Spacer (1/4 x 1 x 17/64")	1	1
7			NLA - Screw, Socket, Button Head (1/4-28 x 3/4")	1	1
8			NLA - Screw, Socket Head (1/4-28 x 1-1/2")	1	1
9			Washer (1/4 x 1/2 x 1/40)	1	1
10			Locknut (1/4-28)	1	1
1	B	1160544-NLA	NLA - Kit, Guard, Side, Folding, Carbon Fiber, Black - Large	1	1
2			NLA - Side Guard w/ Edge Trim Assembly, Folding, Carbon Fiber, Black - Large	1	1
3			NLA - Clamp, Wedge	1	1
4			NLA - Clamp, Wedge	1	1
5			NLA - Bracket, Swing	1	1
6			Spacer (1/4 x 1 x 17/64")	1	1
7			NLA - Screw, Socket, Button Head (1/4-28 x 3/4")	1	1
8			NLA - Screw, Socket Head (1/4-28 x 1-1/2")	1	1
9			Washer (1/4 x 1/2 x 1/40)	1	1
10			Locknut (1/4-28)	1	1

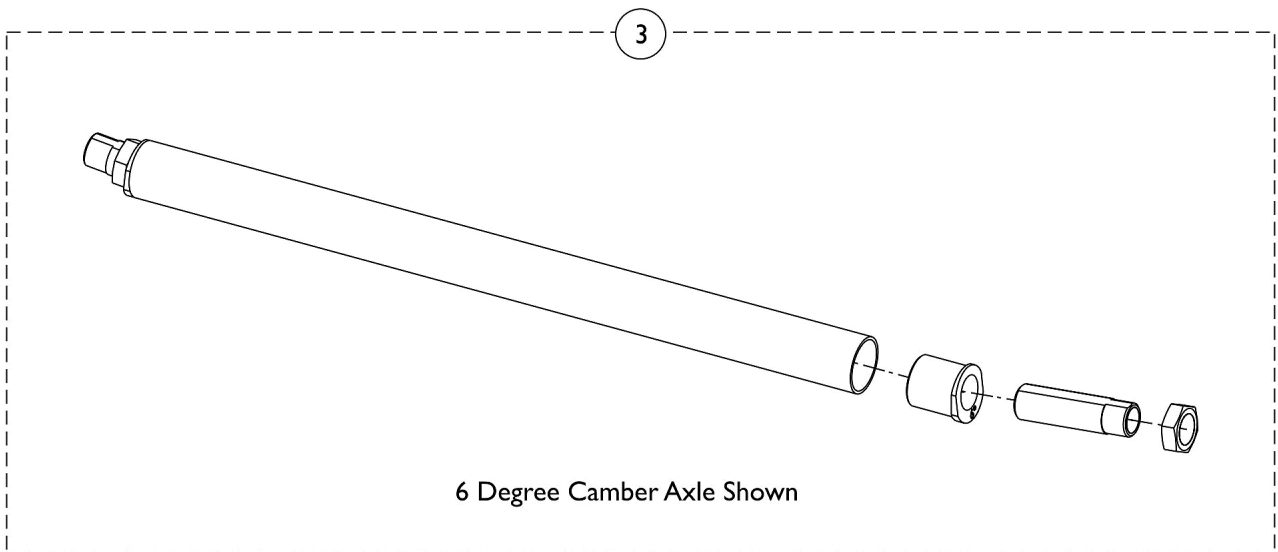
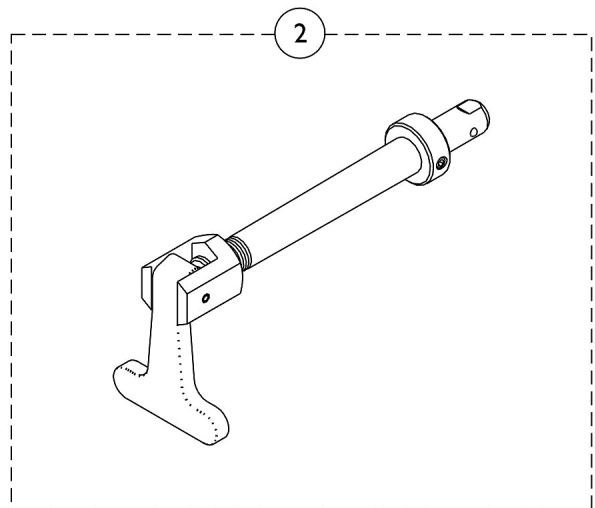
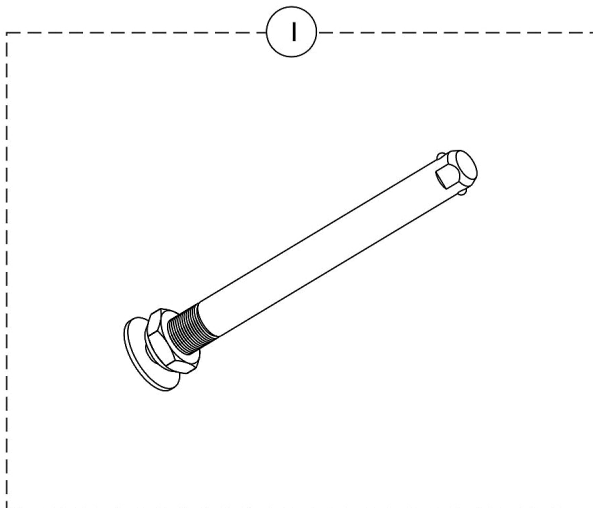
Clothing Guard - Fold In Style Side Guard

NOTE: A - Includes items 2 - 8, and 10.
B - Includes items 2 - 10.

Axles & Camber System

Special Quote Number for Item 3 is SM-090608125056

When entering an order for item 3, the following items should be included with the Special Quote Number, the Serial Number, Rear Wheel Selected, the Camber Angle, and the Chair Width.



Axles & Camber System

Special Quote Number for Item 3 is SM-090608125056

When entering an order for item 3, the following items should be included with the Special Quote Number, the Serial Number, Rear Wheel Selected, the Camber Angle, and the Chair Width.

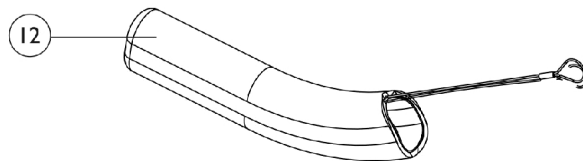
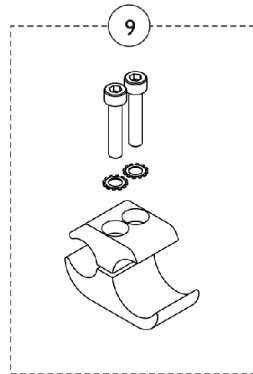
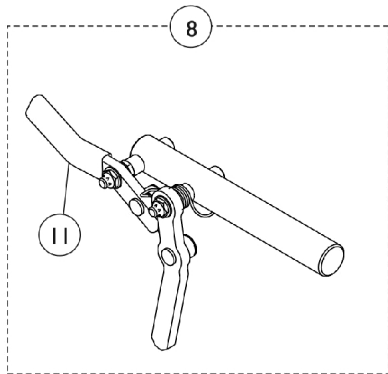
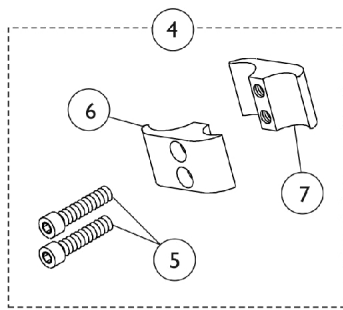
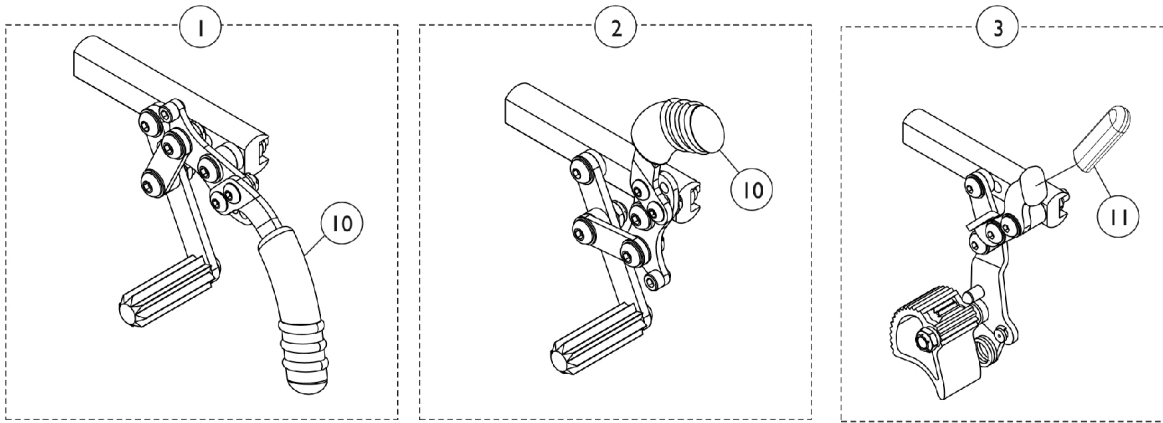
Special Quote Number for Item 3 is SM-090608125056

Item Number	Note	Part Number	Description	Quantity Per	
				Package	Assembly
1		1065303	Axle, Quick Release w/ Flat Button, Black	1	1
1		1113049	Axle, Quick Release w/ Dome Button, Black	1	1
1		1060842-NLA	NLA - Axle, Titanium	1	1
2		1043487-NLA	NLA - Axle, Quad Release	1	1
3	A,B	8881169807-NL A	NLA - Camber Tube Assembly, Color, 0 Degree	1	1
3	A,B	8881169808-NL A	NLA - Camber Tube Assembly, Color, 3 Degree	1	1

NOTE: A - Specify frame color when ordering, see category titled, "Frame Finishes & Touch-Up Paint".
 B - When entering an order for item 3, the following items should be included with the Special Quote Number (SM-090608125056), the Serial Number, Rear Wheel Selected, the Camber Angle, and the Chair Width.

When entering an order for item 3, the following items should be included with the Special Quote Number (SM-090608125056), the Serial Number, Rear Wheel Selected, the Camber Angle, and the Chair Width.

Wheel Locks & Attaching Hardware



Wheel Locks & Attaching Hardware

Item Number	Note	Part Number	Description	Quantity Per	
				Package	Assembly
1	A	1130628	Wheel Lock Assembly, Pull to Lock - Right	1	1
1	A	1130629	Wheel Lock Assembly, Pull to Lock - Left	1	1
2	A	1130630	Wheel Lock Assembly, Push to Lock - Right	1	1
2	A	1130631	Wheel Lock Assembly, Push to Lock - Left	1	1
3	B	1097058-NLA	NLA - Hill Holder Wheel Lock Assembly - Right	1	1
3	B	1097059-NLA	NLA - Hill Holder Wheel Lock Assembly - Left	1	1
4	C	1068210-NLA	Kit, Wheel Lock Attaching Hardware (1" Tubing)	1	1
5			Screw, Allen Head (1/4-20 x 1")	1	2
6			Clamp, Half, Non-Threaded	1	1
7			Clamp, Half, Threaded	1	1
8	B	1093376-NLA	NLA - Wheel Lock Assembly, Undermount - Right	1	1
8	B	1093377-NLA	NLA - Wheel Lock Assembly, Undermount - Left	1	1
9	D	1160548	Clamp Assembly, Wheel Lock	1	1
10		1130584	Package, Cap, Brake Lever End, Black	10	1
11		1127688	Package, Plastic Tip, Black	10	1
12	E	1146498	Handle, Wheel Lock Extension, Black (6") (Pair)	1	1
NOTE: A - 1 each of Item 10 included with wheel lock B - 1 each of Item 11 included with wheel lock C - For use with push, pull and hill holder wheel lock. D - For use with undermount wheel lock. E - Wheel Lock Extension Handle used with item number 1 and 2 only					

Rear Wheels - Assembly, Tires, and Inserts

Complete Rear Wheel Assembly

Use the Configurator part #8881159332 when a complete wheel assembly is requested.

Part Number	Description
8881159332	Assembly includes Wheel, Tire, and Handrim

Rear Wheel - Tires and Inserts (ITESPK)

Wheel Option	Size (Inches)	Tire Type	Tire Part Number	Tube/Insert Part Number
22ITESPK	22"	Primo (CRFPR)	1054070	1145530-NLA
22ITESPK	22"	Pneumatic (CRFPN)	1018544	1018545
22ITESPK	22"	Pneumatic w/ FF (CRF73)	1018544	1023323
24ITESPK	24"	Primo (CRFPR)	1026138	1032240
24ITESPK	24"	Pneumatic (CRFPN)	40176X060	40176X061
24ITESPK	24"	Pneumatic w/ FF (CRF73)	40176X060	1010906
24ITESPK	24"	Schwalbe (CRF123)	1139813	1032240
24ITESPK	24"	Knobby (CRF60)	1143318-NLA	1063519-NLA
24ITESPK	24"	KIK Black (CRF7BK)	1062852	N/A
24ITESPK	24"	KIK Gray (CRF7G)	1144434	N/A
24ITESPK	24"	Kenda Red (CRF101R)	1127915-NLA	1032240
24ITESPK	24"	Kenda Yellow (CRF101Y)	1127918-NLA	1032240
25ITESPK	25"	Primo (CRFPR)	1044947	1029471
25ITESPK	25"	Schwalbe (CRF123)	1139814	1029471
25ITESPK	25"	Knobby (CRF60)	1143319	1145531-NLA
25ITESPK	25"	KIK Black (CRF7BK)	1144435	N/A
25ITESPK	25"	KIK Gray (CRF7G)	1144436	N/A
25ITESPK	25"	Kenda Red (CRF101R)	1127916-NLA	1029471
25ITESPK	25"	Kenda Yellow (CRF101Y)	1127919-NLA	1029471
26ITESPK	26"	Primo (CRFPR)	1029470	1029471
26ITESPK	26"	Pneumatic (CRFPN)	1026142	1026140
26ITESPK	26"	Schwalbe (CRF123)	1139815	1029471

Rear Wheels - Assembly, Tires, and Inserts

Rear Wheel - Tires and Inserts (CRF)

Spinergy® Spox (18 Spokes)

Wheel Option	Size (Inches)	Tire Type	Tire Part Number	Tube/Insert Part Number
CRF6722	22"	Primo (CRFPR)	1054070	1061214-NLA
CRF6722	22"	Pneumatic (CRFPN)	1018544	1018545
CRF6722	22"	Pneumatic w/ FF (CRF73)	1018544	N/A
CRF6724	24"	Primo (CRFPR)	1026138	1105941
CRF6724	24"	Pneumatic (CRFPN)	40176X060	40176X061
CRF6724	24"	Pneumatic w/ FF (CRF73)	40176X060	N/A
CRF6724	24"	Schwalbe (CRF123)	1139813	1105941
CRF6724	24"	Knobby (CRF60)	1143318-NLA	1063519-NLA
CRF6724	24"	KIK Black (CRF7BK)	1062852	N/A
CRF6724	24"	KIK Gray (CRF7G)	1144434	N/A
CRF6724	24"	Kendra Red (CRF101R)	1127915-NLA	1105941
CRF6724	24"	Kendra Yellow (CRF101Y)	1127918-NLA	1105941
CRF6725	25"	Primo (CRFPR)	1044947	1104326
CRF6725	25"	Schwalbe (CRF123)	1139814	1104326
CRF6725	25"	Knobby (CRF60)	1143319	1145531-NLA
CRF6725	25"	Kenda Red (CRF101R)	1127916-NLA	1104326
CRF6725	25"	Kenda Yellow (CRF101Y)	1127919-NLA	1104326
CRF6726	26"	Primo (CRFPR)	1029470	1104326
CRF6726	26"	Pneumatic (CRFPN)	1026142	1026140
CRF6726	26"	Schwalbe (CRF123)	1139815	1104326

Rear Wheels - Assembly, Tires, and Inserts

Rear Wheel - Tires and Inserts (SPLX)

Spinergy® LX Wheels

Wheel Option	Size (Inches)	Tire Type	Tire Part Number	Tube/Insert Part Number
SPLX24	24"	Primo (CRFPR)	1026138	1105941
SPLX24	24"	Pneumatic (CRFPN)	40176X060	40176X061
SPLX24	24"	Pneumatic w/ FF (CRF73)	40176X060	N/A
SPLX24	24"	Schwalbe (CRF123)	1139813	1105941
SPLX24	24"	Knobby (CRF60)	1143318-NLA	1063519-NLA
SPLX24	24"	KIK Black (CRF7BK)	1062852	N/A
SPLX24	24"	KIK Grey (CRF7G)	1144434	N/A
SPLX24	24"	Kenda Red (CRF101R)	1127915-NLA	1105941
SPLX24	24"	Kenda Yellow (CRF101Y)	1127918-NLA	1105941
SPLX25	25"	Primo (CRFPR)	1044947	1104326
SPLX25	25"	Schwalbe (CRF123)	1139814	1104326
SPLX25	25"	Knobby (CRF60)	1143319	1145531-NLA
SPLX25	25"	KIK Black (CRF7BK)	1144435	N/A
SPLX25	25"	KIK Grey (CRF7G)	1144436	N/A
SPLX25	25"	Kenda Red (CRF101R)	1127916-NLA	1104326
SPLX25	25"	Kenda Yellow (CRF101Y)	1127919-NLA	1104326

Rear Wheels - Assembly, Tires, and Inserts

Rear Wheel - Tires and Inserts (FN)

Sun® Fusion Wheels

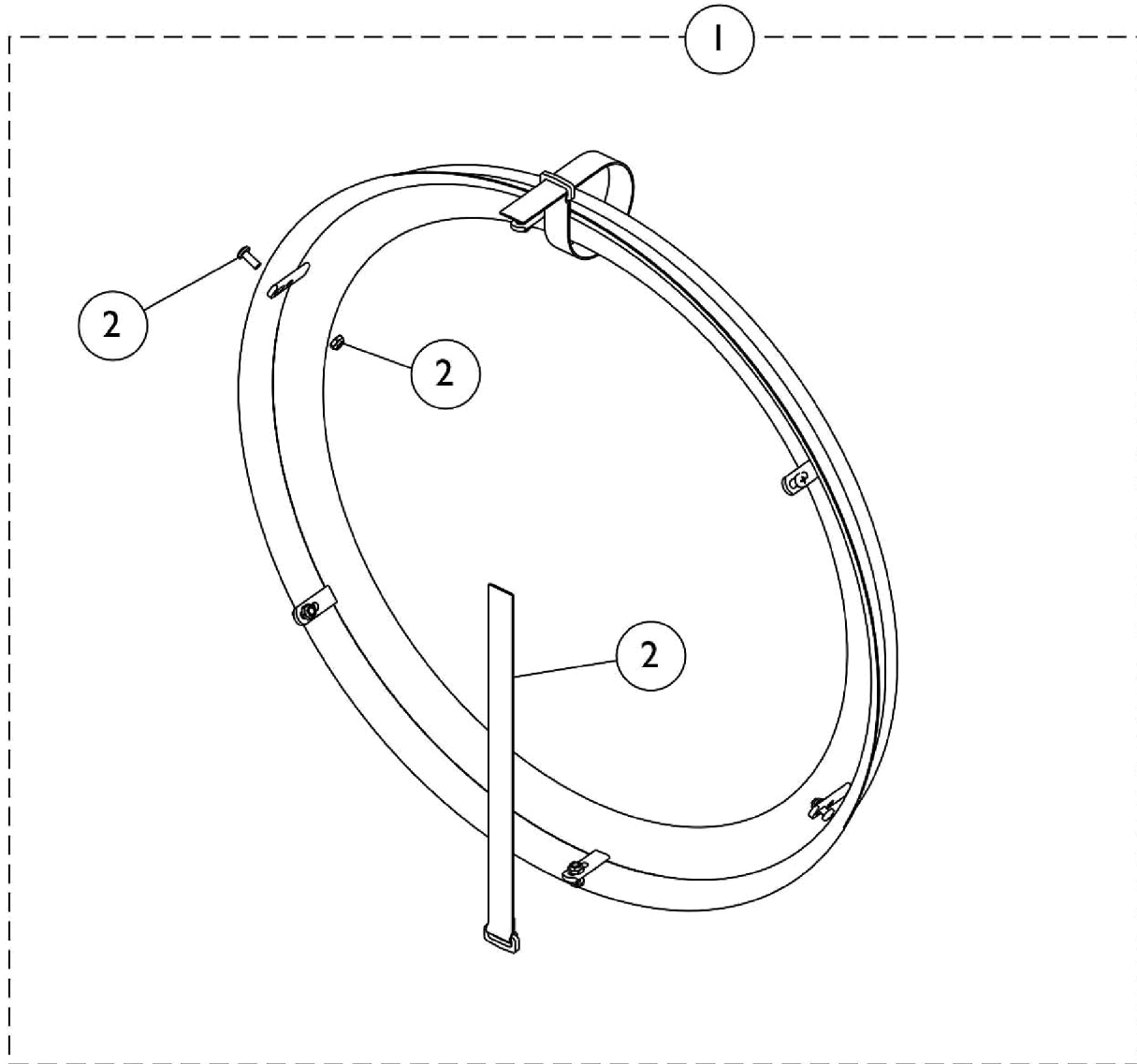
Wheel Option	Size (Inches)	Tire Type	Tire Part Number	Tube/Insert Part Number
FN1624	24"	Primo (CRFPR)	1026138	1105941
FN1624	24"	Pneumatic (CRFPN)	40176X060	40176X061
FN1624	24"	Schwalbe (CRF123)	1139813	1105941
FN1624	24"	Knobby (CRF60)	1143318-NLA	1063519-NLA
FN1624	24"	KIK Black (CRF7BK)	1062852	N/A
FN1624	24"	KIK Grey (CRF7G)	1144434	N/A
FN1624	24"	Kenda Red (CRF101R)	1127915-NLA	1105941
FN1624	24"	Kenda Yellow (CRF101Y)	1127918-NLA	1105941
FN1625	25"	Primo (CRFPR)	1044947	1104326
FN1625	25"	Schwalbe (CRF123)	1139814	1104326
FN1625	25"	Knobby (CRF60)	1143319	1145531-NLA
FN1625	25"	KIK Black (CRF7BK)	1144435	N/A
FN1625	25"	KIK Grey (CRF7G)	1144436	N/A
FN1625	25"	Kenda Red (CRF101R)	1127916-NLA	1104326
FN1625	25"	Kenda Yellow (CRF101Y)	1127919-NLA	1104326
FN1626	26"	Primo (CRFPR)	1029470	1104326
FN1626	26"	Pneumatic (CRFPN)	1026142	1026140
FN1626	26"	Schwalbe (CRF123)	1139815	1104326

Rear Wheel Handrims & Hardware

	Black Anodized Handrim (BLKANHR)	Hard Anodized Grey Handrim (CRF77)	Titanium Handrim (CRF75)	Coated Handrim (CRF8)	Handrim Attaching Hardware
22ITESPK (22" Wheel)	N/A	1139773	N/A	1043689-NLA	1160547
24ITESPK (24" Wheel)	1159659	1026136	N/A	1035612	1160547
25ITESPK (25" Wheel)	1160754-NLA	1029493	N/A	1043249	1160547
26ITESPK (26" Wheel)	1159661	1026137	N/A	1035613	1160547
CRF22SP (22" Wheel)	N/A	1043443	N/A	1043689-NLA	1160549
CRF6722 (22" Spin)	N/A	1139773	N/A	1146258	1160547
CRF6724 (24" Spin)	1160753-NLA	1114300	1060873	1168964	1160547
CRF6725 (25" Spin)	1160754-NLA	1114301-NLA	1060874	1043249	1160547
CRF6726 (25" Spin)	1160755	1114302-NLA See Note(s) A	1060875	1168965-NLA	1160547
ZEROG24 (24" Wheel)	1159659	1026136	1060873	1035612	1160547
ZEROG25 (25" Wheel)	1159660-NLA	1029493	1060874	1043249	1160547
ZEROG26 (25" Wheel)	1159661	1026137	1060875	1035613	1160547
SPLX24 (24" Spin)	1160753-NLA	1114300	1060873	1168964	1160547
SPLX25 (25" Spin)	1160754-NLA	1114301-NLA	1060874	1043249	1160547
FN1624 (24" Fusion)	1160753-NLA	1114300	1060873	1168964	1160547
FN1625 (25" Fusion)	1160754-NLA	1114301-NLA	1060874	1043249	1160547
FN1626 (26" Fusion)	1160755	1114302-NLA See Note(s) A	1060875	1168965-NLA	1160547

NOTE: A - Part No Longer Available individually. See Part # 1112344 for replacement.

Handrims & Hardware - Natural Fit & Natural Fit LT



6 Point Attaching Wheels (Spoke Wheels)

Handrims & Hardware - Natural Fit & Natural Fit LT

Item Number	Note	Part Number	Description	Quantity Per	
				Package	Assembly
1		See Chart	Item #1 Natural Fit Handrims - 6 pt. Attaching Wheels	1	1
1		See Chart	Item #1 Natural Fit LT Handrims - 6 pt. Attaching Wheels	1	1
2	A	1145679	Kit, Handrim Attaching Hardware - 6 Point	1	1
			Screw, Phillips Pan Head (#10-32 x 1/2")	1	6
			Locknut (#10-32)	1	6
	NLA - Strap, Securing	1	2		
	B	1144492	Instruction Sheet, Natural Fit Handrims	1	1
NOTE: A - Includes Screws, Locknuts, and Securing Straps. B - Not Shown					

Handrims & Hardware - Natural Fit & Natural Fit LT

Item #1 Natural Fit Handrims - 6 Point Attaching Wheels (Spoke Wheels)

Handrims sold as 1 each. Includes all Attaching Hardware (item 2) and Instruction Sheet.

Grip Style Natural Fit	24" Wheels	25" Wheels	26" Wheels
Standard	1145546-NLA	1145547	1145548-NLA
Super Grip	1145550-NLA	1145551	1145552

NOTE: The Natural Fit Handrims have 6 points of attachment to mount to a wheel. The 22" Spoke Wheel (CRF22SP) has four points of attachment and cannot accommodate a Natural Fit Handrim.

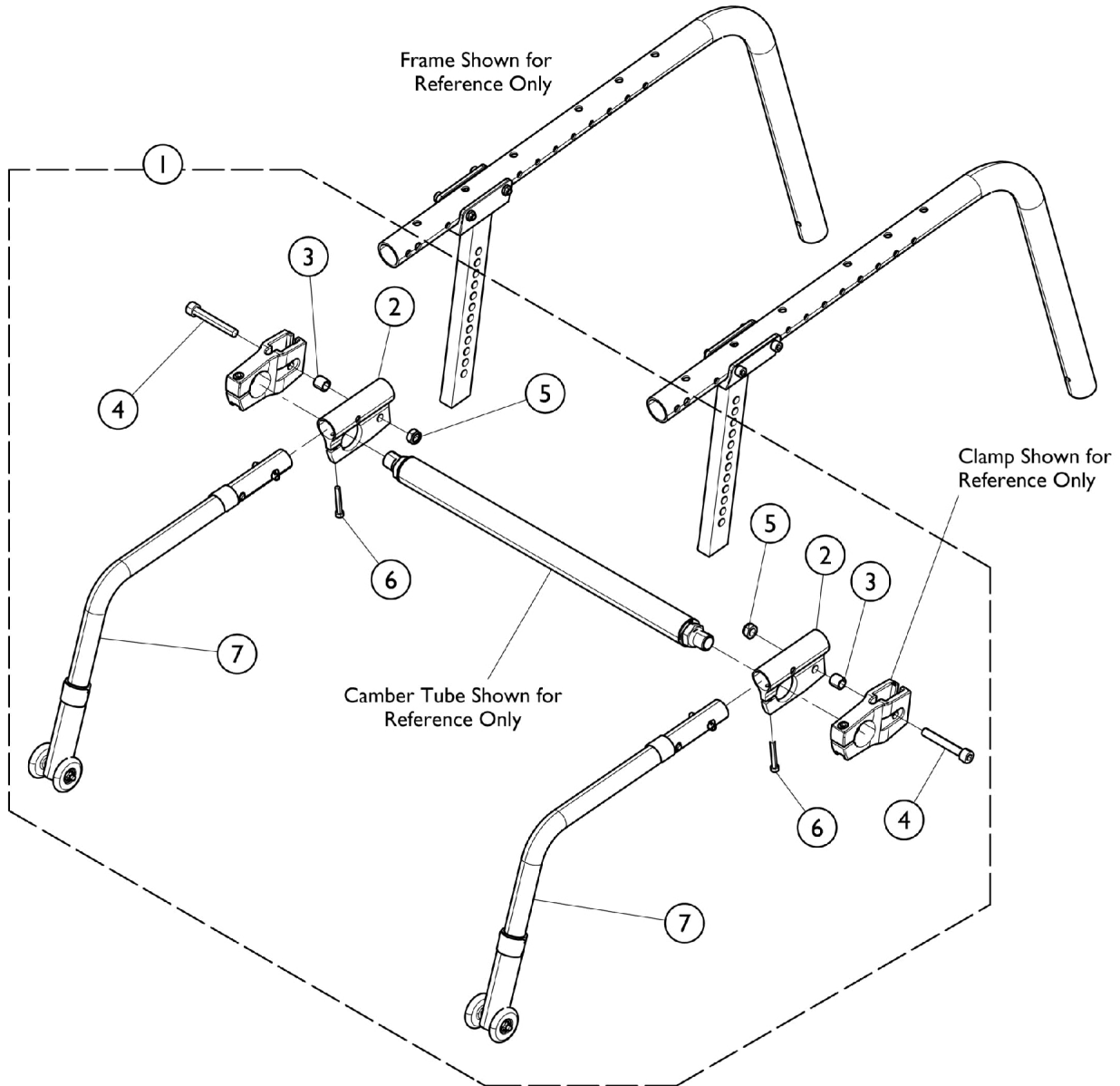
Item #1 Natural Fit LT Handrims - 6 Point Attaching Wheels (Spoke Wheels)

Handrims sold as 1 each. Includes all Attaching Hardware (item 2) and Instruction Sheet.

Grip Style Natural Fit - LT	24" Wheels	25" Wheels	26" Wheels
Standard	1163646	1163647-NLA	1163648-NLA
Super Grip	1163649	1163650-NLA	1163651

NOTE: The Natural Fit Handrims have 6 points of attachment to mount to a wheel. The 22" Spoke Wheel (CRF22SP) has four points of attachment and cannot accommodate a Natural Fit Handrim.

Accessories - Anti-Tip Assembly



Accessories - Anti-Tip Assembly

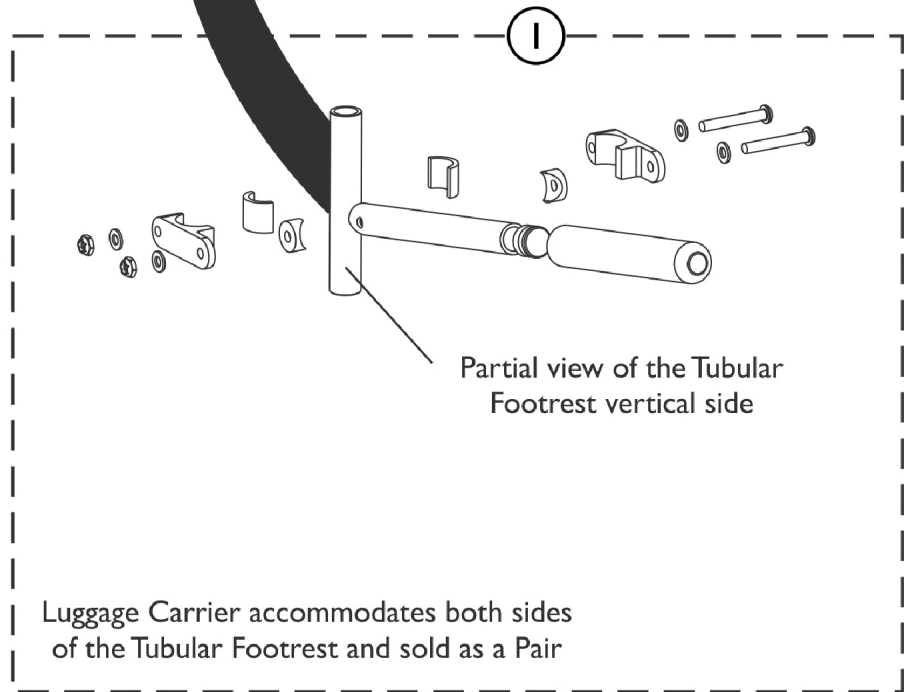
Item Number	Note	Part Number	Description	Quantity Per	
				Package	Assembly
1	A	1172625	Kit, Anti-Tip Assembly w/ Hardware (Pair)	1	1
2			Anti-Tipper	1	2
3			Bracket, Anti-Tip, Black	1	2
4			Spacer (5/16 x 7/16 x 15/32")	1	2
5			Screw, Socket, Cap (M8 x 1.25 x 55mm)	1	2
6			NLA - Locknut (M8 x 1.25)	1	2
7			NLA - Screw, Socket Head (#10-32 x 1-1/4")	1	2

NOTE: A - Includes items 2 - 7.

Luggage Carrier



Assembled view of Luggage Carrier attached to vertical side of the Tubular Footrest shown for reference only



SCM_543A

Luggage Carrier

Item Number	Note	Part Number	Description	Quantity Per	
				Package	Assembly
1	A	1127930-NLA	NLA - Carrier, Luggage (Pair)	2	1

NOTE: A - Luggage Carrier is sold complete

Miscellaneous Accessories

Part Number	Description	Package Quantity	Assembly Quantity
1032243	Calf Strap, 12" - 20" Wide Chairs (36" Long)	1	1
1176244	Calf, Strap (16 - 20" W)	1	1
1032147-NLA	Guard, Spoke, Composite (22")	1	1
1028441-NLA	Guard, Spoke (24")	1	1
1028443-NLA	Guard, Spoke (26")	1	1
1109324	Pouch, Seat (8-1/2" W x 7" H x 4" D)	1	1
1160532-NLA	Positioning Strap Assembly, Hook and Loop (12" - 18" W)	1	1
1160535-NLA	Positioning Strap Assembly, Hook and Loop (19" - 20" W)	1	1
1160538-NLA	Positioning Strap Assembly, Auto Style	1	1
1109717-NLA	Gauge, Alignment See Note(s) A	1	1
1159758	Protector, Frame, Front, Blue	1	2
1159756	Protector, Frame, Back, Blue	1	1
1159759	Protector, Frame, Front, Red	1	2
1159757	Protector, Frame, Back, Red	1	1
1163422	Protector, Frame, Front, Black	1	2
1163421	Protector, Frame, Back, Black	1	1
1179175	Cover, Footrest, Plastic (13" W)	1	2
1179176 See Note(s) B	Cover, Footrest, Plastic (14" W)	1	2
1179177 See Note(s) B	Cover, Footrest, Plastic (15" W)	1	2
1179178	Cover, Footrest, Plastic (16" W)	1	2
1179179 See Note(s) B	Cover, Footrest, Plastic (17" W)	1	2
1179180	Cover, Footrest, Plastic (18" W)	1	2
1179181	Cover, Footrest, Plastic (19" W)	1	2

Miscellaneous Accessories

Part Number	Description	Package Quantity	Assembly Quantity
1179182	Cover, Footrest, Plastic (20" W)	1	2

NOTE: A - Measures Toe In and Toe Out.
B - Use this cover when choosing a Tapered or Non-Tapered Side Frame. Tapered Frames are 2 inches narrower.

Invacare Corporation

www.invacare.com



Yes, you can.

One Invacare Way
Elyria, Oh USA
44036-2125
800-333-6900

Technical Support
800-832-4707
Customer Service
800-333-6900

Literature Orders
800-333-6900

© 2022 Invacare Corporation. All rights reserved. Republication, duplication or modification in whole or in part is prohibited without prior written permission from Invacare. Trademarks are identified by TM and ©. All trademarks are owned by or licensed to Invacare Corporation or its subsidiaries unless otherwise noted. (Revised 06/17/22)

Form No. 11-009