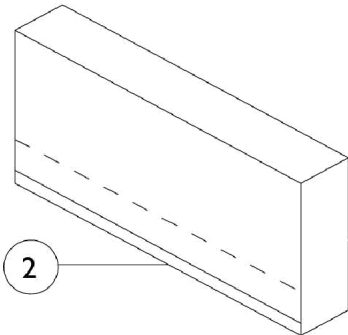
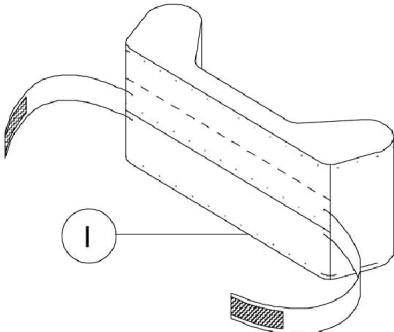


Body Bolster and Pelvic Positioner



Body Bolster and Pelvic Positioner

Item Number	Note	Part Number	Description	Quantity Per	
				Package	Assembly
1	A	8881073989-NL A	NLA - Bolster, Body	1	1
1	B	8881075100-NL A	NLA - Bolster, Body	1	1
1	C	8881076295-NL A	NLA - Bolster, Body	1	1
2	A	8881073990-NL A	NLA - Positioner, Pelvic	1	2
2	B	8881075095-NL A	NLA - Positioner, Pelvic	1	2
2	C	8881076289-NL A	NLA - Pelvic Positioner	1	2

NOTE: A - CP200
 B - CP300, CP400, CP500
 C - CAL133 Certified Upholstery (CO300, CP400, CP500)