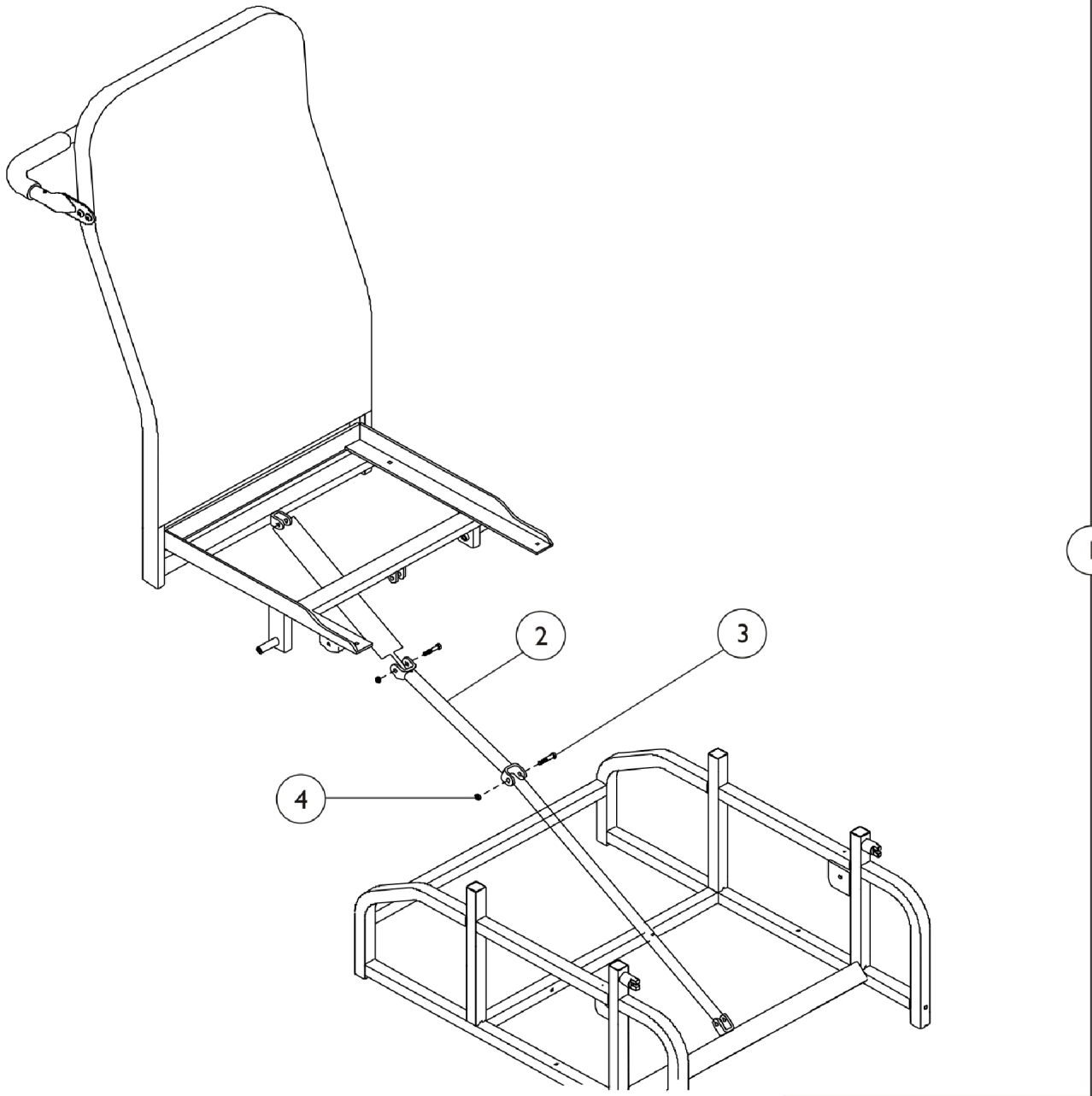


Strut

(CP200, CP300, and CP400 Only)



Strut (CP200, CP300, and CP400 Only)

Item Number	Note	Part Number	Description	Quantity Per	
				Package	Assembly
1	A	1071233-NLA	Kit, Hardware Assembly - Fixed	1	1
2			NLA - Link Strut Assembly	1	1
3			Screw, Hex Head (5/16-24 x 2")	1	2
4			NLA - Locknut (5/16-24)	1	2

NOTE: A - Kit Includes Items 2-4.