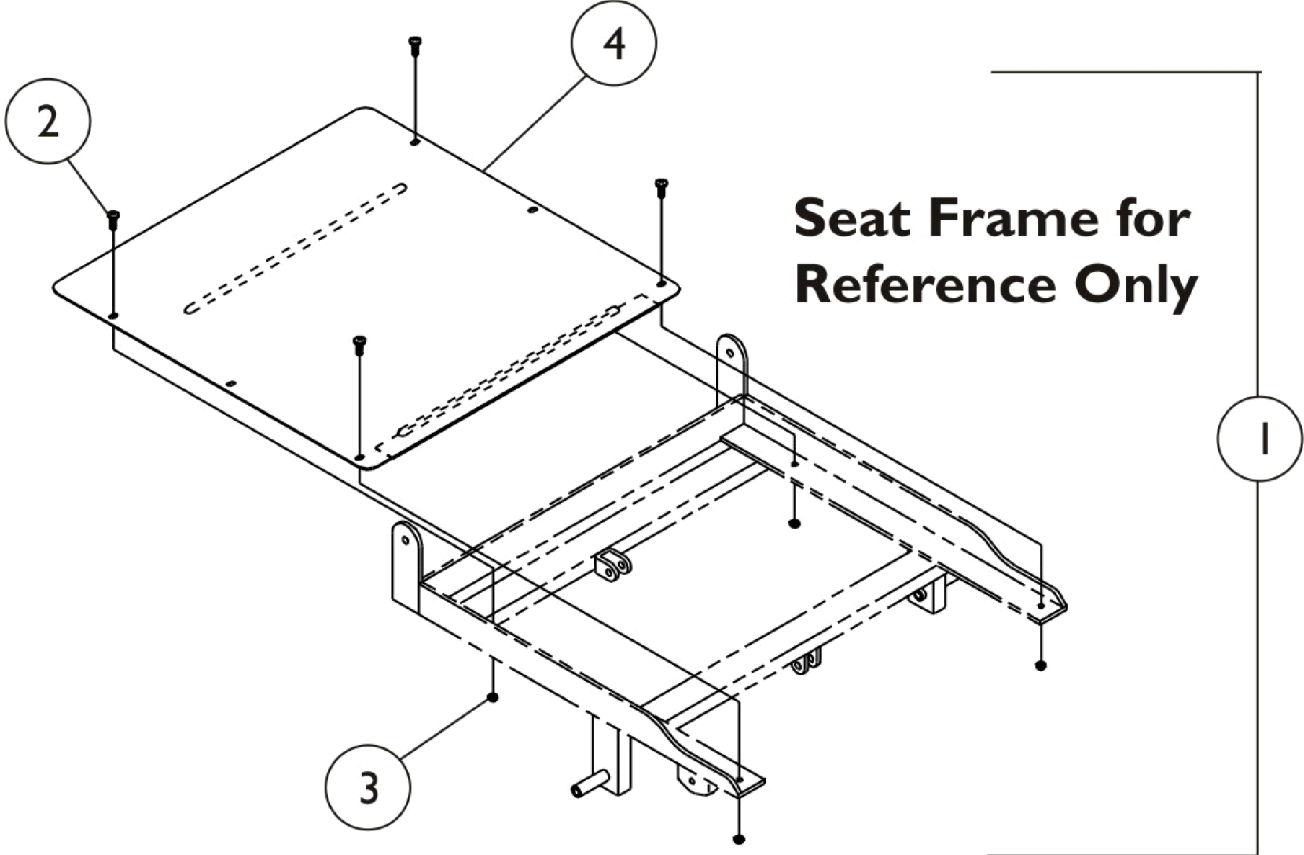


Seat Pan (Before 11/98)



Seat Pan (Before 11/98)

Item Number	Note	Part Number	Description	Quantity Per	
				Package	Assembly
1		1069970-NLA	NLA - Frame, Seat with Adhesive Back Loop Fastener Strip	1	1
1	A,B	1071234-NLA	Kit, Seat Pan Hardware	1	1
2			Screw, Phillips Pan Head (#10-32 x 1/2")	1	4
3			Locknut (#10-32)	1	4
4			NLA - Plate, Seat	1	1
NOTE: A - As of 11/98, the Seat Pan Assembly is now welded to the Seat Frame. See page titled "Seat Frame" to order Seat Frame. B - Kit items 2-4, no longer available see Part #1069970.					