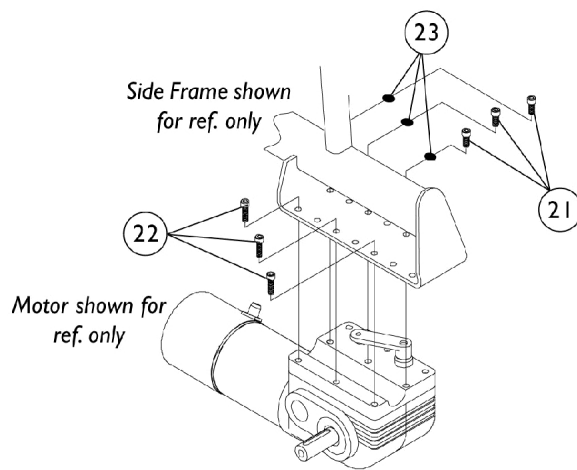
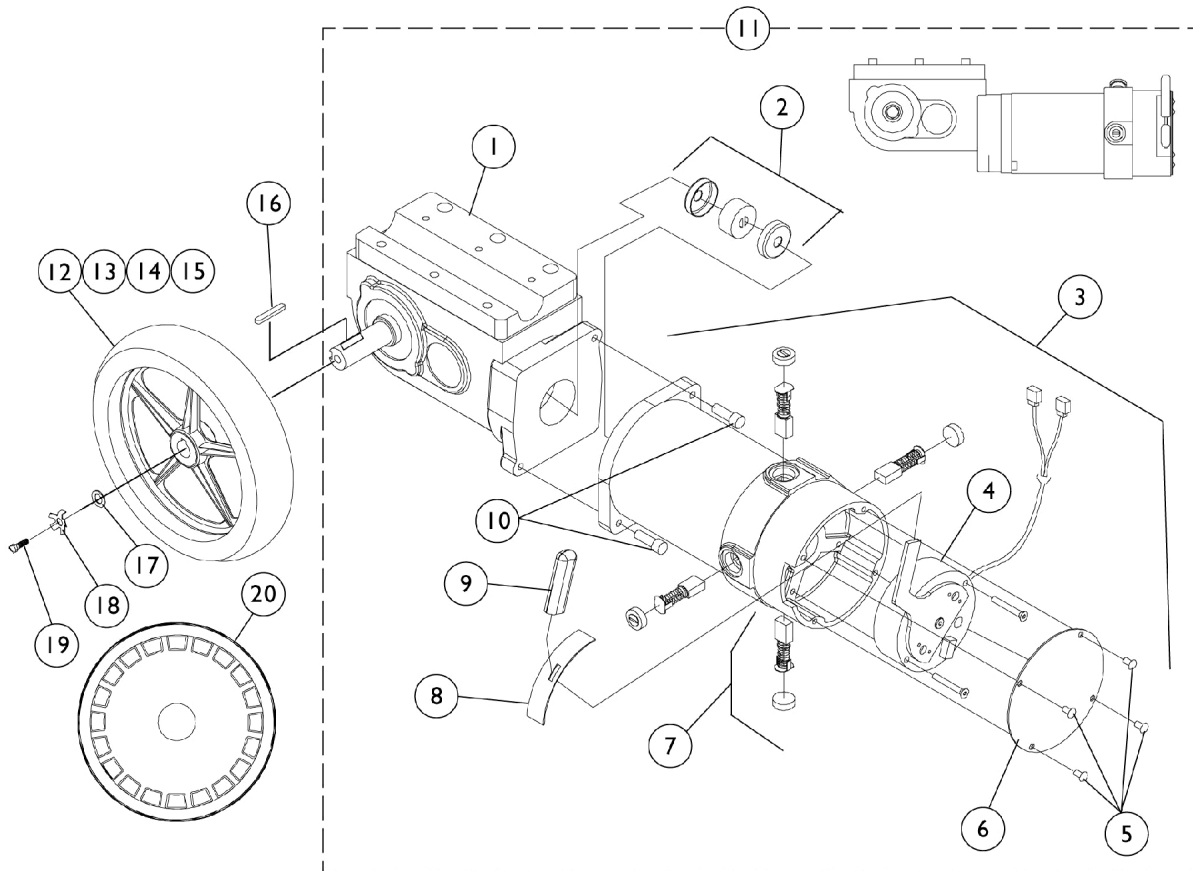


Drive Wheel, 4-Pole Motor & Gearbox (12-1/2 x 2-1/4") (Ranger II Standard w/ Brake Lever)



Motor Mount Hardware

Drive Wheel, 4-Pole Motor & Gearbox (12-1/2 x 2-1/4") (Ranger II Standard w/ Brake Lever)

Item Number	Description	Part Number
1	Gearbox - Right	1086228-NLA See Note(s) E
1	Gearbox - Left	1086227-NLA See Note(s) E
2	NLA - Coupling w/ Cup (1" Diameter)	5165204-NLA See Note(s) C
2	NLA - Coupling w/ Cup (1-5/16" Diameter)	50000X007-NLA See Note(s) D
3	Motor Assembly - Right (Before 10/29/01)	1086788-NLA
3	Motor Assembly - Left (Before 10/29/01)	1087218-NLA
3	Motor Assembly - Right (After 10/28/01)	1109229-NLA
3	Motor Assembly - Left (After 10/28/01)	1109228-NLA
4	Brake Repair Kit - Right	1070295-NLA See Note(s) H
4	Brake Repair Kit - Left	1070294-NLA See Note(s) H
5	Screw, Socket Pan Head (8-32 x 1/4")	See Item 5
6	Brake Cover with Screws (Before 10/29/01)	1070297-NLA
6	Brake Cover (Black) with Screws (After 10/28/01)	1104402-NLA
7	Brushes with Caps	1070296-NLA See Note(s) G
8	Slotted Plate	1082985-NLA
9	Plastic Tip (Before 10/29/01)	1082984-NLA
9	Plastic Tip (After 10/28/01)	1101725
10	Screw, SHC (1/4-20 x 1-1/8")	1043594 See Note(s) E
10.	Screw, SHC (M6 x 1 x 20MM)	1108978 See Note(s) E
11 See Note(s) F	Motor and Gearbox - Right (Before 10/29/01)	1086218-NLA
11	Motor and Gearbox - Left (Before 10/29/01)	1086217-NLA See Note(s) F
11	Motor and Gearbox - Right (After 10/28/01)	1109170-NLA
11	Motor and Gearbox - Left After 10/28/01	1109169-NLA
12	Wheel with Foam Fill (12-1/2) with Locking Tab	1064177 See Note(s) A

Drive Wheel, 4-Pole Motor & Gearbox (12-1/2 x 2-1/4") (Ranger II Standard w/ Brake Lever)

Item Number	Description	Part Number
12	Wheel, Pneumatic (12-1/2") with Locking Tab	1064178-NLA See Note(s) A
13	Tire (12-1/2 x 2-1/4")	1011524
14	Flat Tire Insert	1073936-NLA See Note(s) B
15	Tube (12-1/2 x 2-1/4")	1011525
16	Key	1023264
17	Washer (21/64 x 53/64 x 7/64")	1079247
18	Washer, Locking Tab (Pair)	1064179
19	Screw, Hex Head (M8 x 20MM) (Pkg. of 25)	7930322-NLA
20	Shroud Cover - Black, Drive Wheel	1074974-NLA
21	Screw, Socket Head (M6 x 15MM)	1080713-NLA
22	Screw, Socket Head (M6 x 35MM)	1080712-NLA
23	Washer, Star (1/4")	10513X000-NLA

NOTE: A - Drive wheel comes with a locking tab and instruction sheet.
 B - As of 10/20/99, the "solid" flat free insert was replaced by a "foam fill" process. When a Flat Free Insert is requested, a complete wheel must be ordered.
 C - Coupling with Cup for chairs manufactured before 11/12/01 - Use part # 50000X007 as a direct replacement part.
 D - After 11/11/01 Coupling with Cup was resized from approximately 1" to 1-5/16" diameter and can be used as a direct replacement for part number 5165204
 E - When a new gearbox or mounting screws are ordered, (2 ea.) metric and (2 ea.) non-metric screws (item 10) must be ordered. Invacare Corp. utilizes alternate suppliers for this part number.
 F - As of May 2008, the Metal Motor End Cap will be replaced with a Composite Motor End Cap. The change does not affect form, fit, function or aesthetics.
 G - Kit includes (4) Brushes, (4) Brush Caps and Instruction Sheet.
 H - Use existing screws when installing the Brake Repair Kit. The Motor Brake Mounting Screws are not saleable.