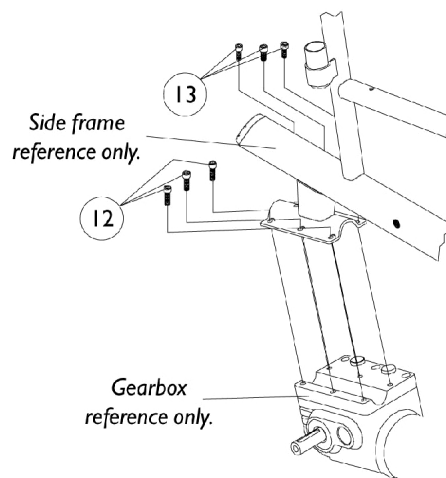
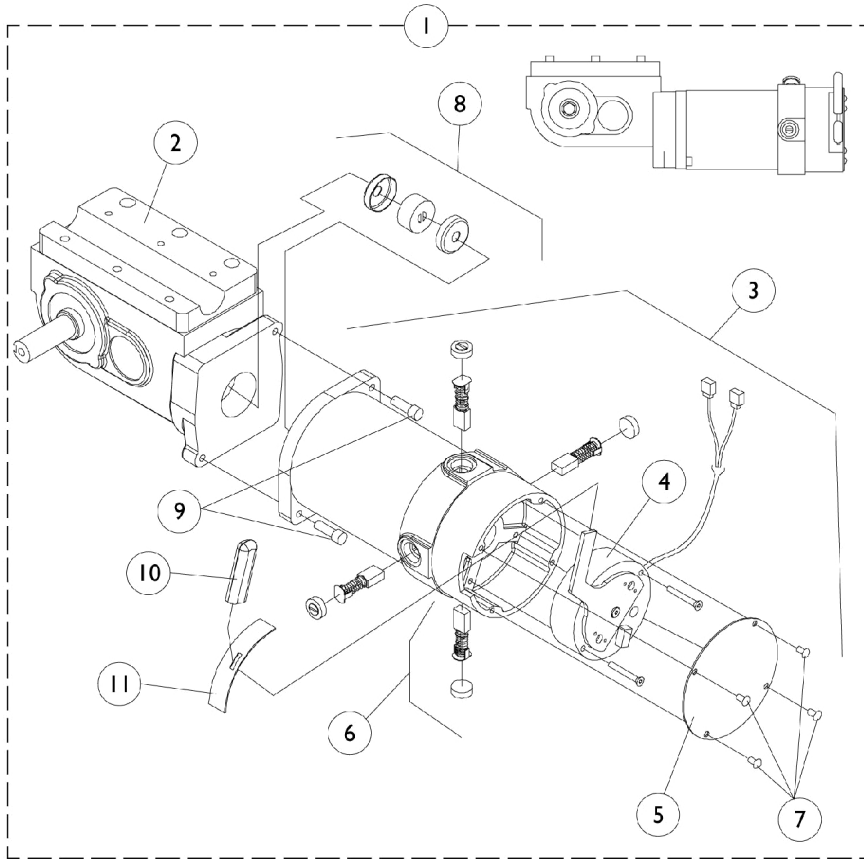


4-Pole Motor and Gearbox With Brake Lever (After 3/14/99)

NOTE: Manual Recliner models for Rear Wheel Drive continued to use the 2-Pole Motor/Gearboxes thru 5/14/99. See page titled "2-Pole Motor and Gearbox"



4-Pole Motor and Gearbox With Brake Lever (After 3/14/99)

NOTE: Manual Recliner models for Rear Wheel Drive continued to use the 2-Pole Motor/Gearboxes thru 5/14/99. See page titled "2-Pole Motor and Gearbox"

| Item Number | Description | Right | Left |
|-------------|--|--------------------------------|--------------------------------|
| 1. | Motor / Gearbox Before 10/29/01 | 1085949-NLA See Note(s) D | 1085950-NLA See Note(s) D |
| 1. | WARR RPLMT - Motor / Gearbox Before 10/29/01 | 1085949E-NLA See Note(s) G | 1085950E-NLA See Note(s) H |
| 1. | Motor / Gearbox After 10/28/01 | 1109167-NLA | 1109168-NLA |
| 2. | Gearbox | 1086221 See Note(s) C | 1086222-NLA See Note(s) C |
| 3. | Motor Assembly Before 10/29/01 | 1087218-NLA | 1086788-NLA |
| 3. | Motor Assembly After 10/28/01 | 1109228-NLA | 1109229-NLA |
| 4. | Brake Repair Kit | 1070294-NLA See Note(s) F | 1070295-NLA See Note(s) F |
| 5. | Brake Cover with Screws Before 10/29/01 | 1070297-NLA | 1070297-NLA |
| 5. | Brake Cover (Black) with Screws After 10/28/01 | 1104402-NLA | 1104402-NLA |
| 6. | Brushes with Caps | 1070296-NLA See Note(s) E | 1070296-NLA See Note(s) E |
| 7. | Screw, Socket Pan Head (#8-32 x 1/4") | SEE ITEM 5 | SEE ITEM 5 |
| 8. | NLA - Coupling w/ Cup (1" Diameter) | 5165204-NLA See Note(s) A | 5165204-NLA See Note(s) A |
| 8. | NLA - Coupling w/ Cup (1-5/16" Diameter) | 50000X007-NLA See Note(s) B | 50000X007-NLA See Note(s) B |
| 9. | Screw, SHC (1/4-20 x 1-1/8") | 1043594 See Note(s) C | 1043594 See Note(s) C |
| 9. | Screw, SHC (M6 x 1 x 20MM) | 1108978 See Note(s) C | 1108978 See Note(s) C |
| 10. | Plastic Tip Before 10/29/01 | 1082984-NLA | 1082984-NLA |
| 10. | Plastic Tip After 10/28/01 | 1101725 | 1101725 |
| 11. | Slotted Plate | 1082985-NLA | 1082985-NLA |
| 12. | Screw, Socket Head (M6 x 30MM) | 1057823-NLA | 1057823-NLA |
| 13. | Screw, Socket Head (M6 x 16MM) | 1057824-NLA | 1057824-NLA |

4-Pole Motor and Gearbox

With Brake Lever

(After 3/14/99)

NOTE: Manual Recliner models for Rear Wheel Drive continued to use the 2-Pole Motor/Gearboxes thru 5/14/99. See page titled "2-Pole Motor and Gearbox"

| | |
|-------|---|
| NOTE: | A - Coupling with Cup for chairs manufactured before 11/12/01 - Use part # 50000X007 as a direct replacement part. |
| | B - After 11/11/01 Coupling with Cup was resized from approximately 1" to 1-5/16" diameter and can be used as a direct replacement for part number 5165204 |
| | C - When a new gearbox or mounting screws are ordered, (2 ea.) metric and (2 ea.) non-metric screws (item 9) must be ordered. Invacare Corp. utilizes alternate suppliers for this part number. |
| | D - As of May 2008, the Metal Motor End Cap will be replaced with a Composite Motor End Cap. The change does not affect form, fit, function or aesthetics. |
| | E - Kit includes (4) Brushes, (4) Brush Caps and Instruction Sheet. |
| | F - Use existing screws when installing the Brake Repair Kit. The Motor Brake Mounting Screws are not saleable. |
| | G - Part is no longer available as a service part. See part number 1085949 as a replacement. |
| | H - Part is no longer available as a service part. See part number 1085950 as a replacement. |