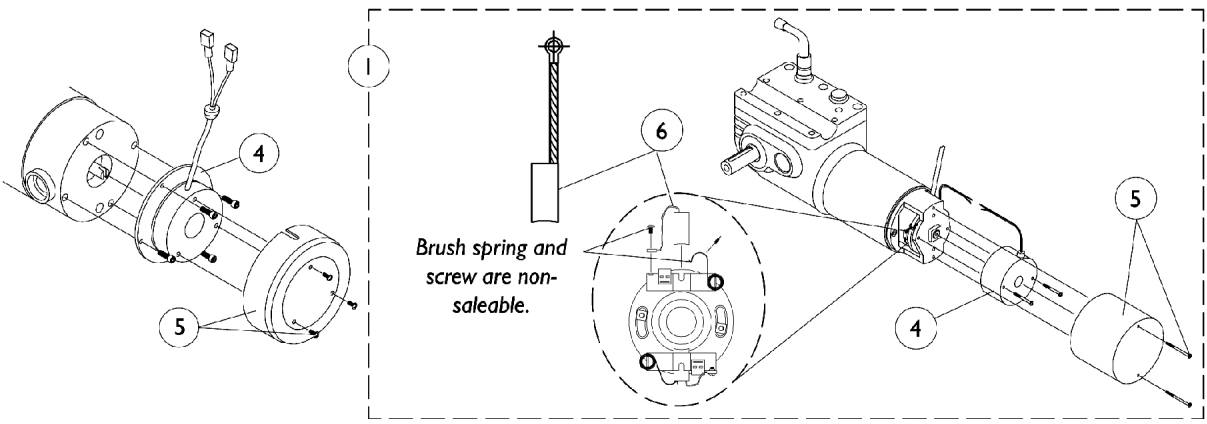
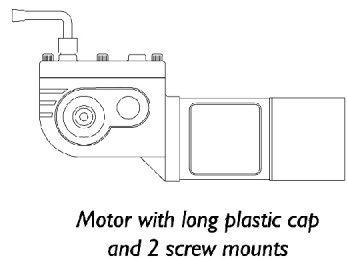
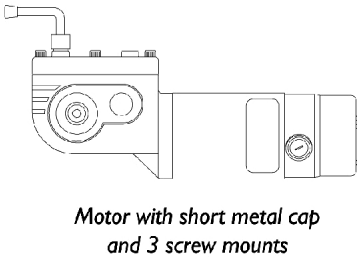
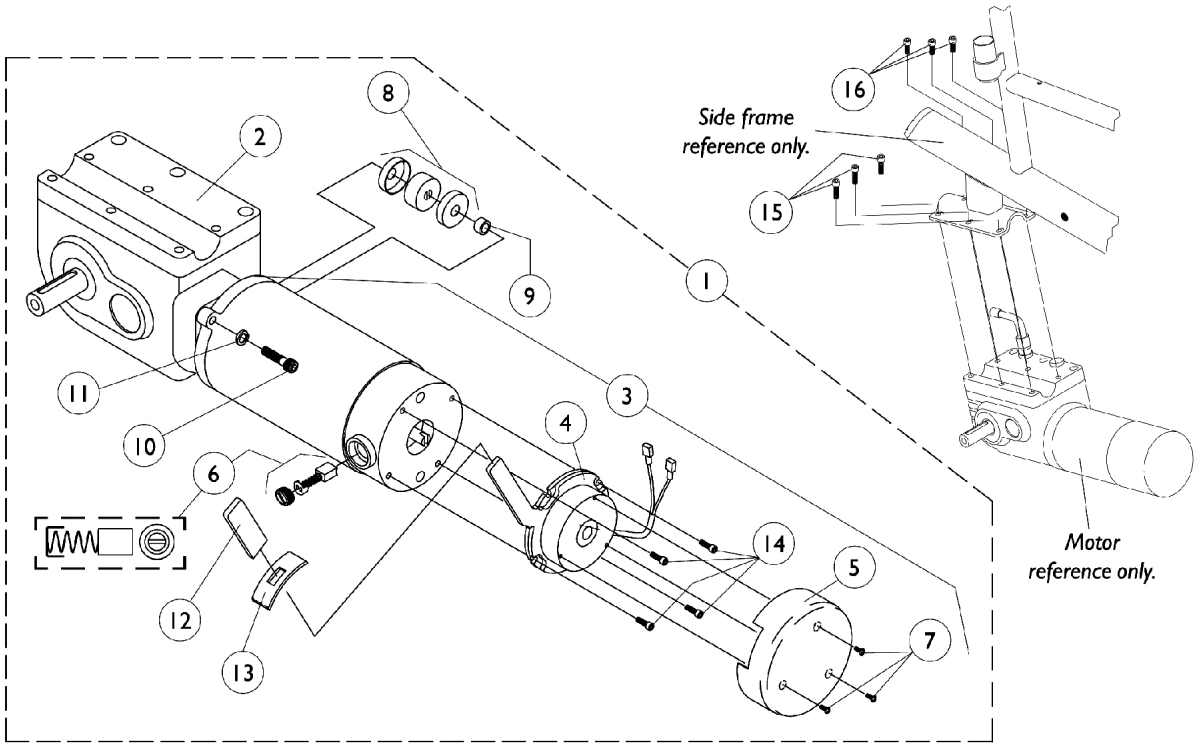


2-Pole Motor and Gearbox

NOTE: Manual recliner models for rear wheel drive continued to use the 2-pole motor/gearboxes thru 5/14/99.



2-Pole Motor and Gearbox

NOTE: Manual recliner models for rear wheel drive continued to use the 2-pole motor/gearboxes thru 5/14/99.

Item Number	Description	With Brake Lever (Before 3/15/99) Right	With Brake Lever (Before 3/15/99) Left	Basic Short Cap Right	Basic Short Cap Left	Basic Long Cap (Light Duty 250-S) Right	Basic Long Cap (Light Duty 250-S) Left
16.	Screw, Socket Head (M6 x 16MM)	1057824-NLA	1057824-NLA	1057824-NLA	1057824-NLA	1057824-NLA	1057824-NLA
17.	Clutch Release Extension Handle	N/A	N/A	1063287-NLA See Note(s) D	1063287-NLA See Note(s) D	1063287-NLA See Note(s) D	1063287-NLA See Note(s) D
<p>NOTE: A - Spacer not needed after 6/30/98. B - Coupling and Cup for chairs manufactured before 11/12/01 - Use part # 50000X007 as a direct replacement part. C - After 11/11/01 Coupling with Cup was resized from approximately 1" to 1-5/16" diameter and can be used as a direct replacement for part number 5165204 D - Sold in pairs only E - 561-005 are internal brushes and do not use Caps.</p>							