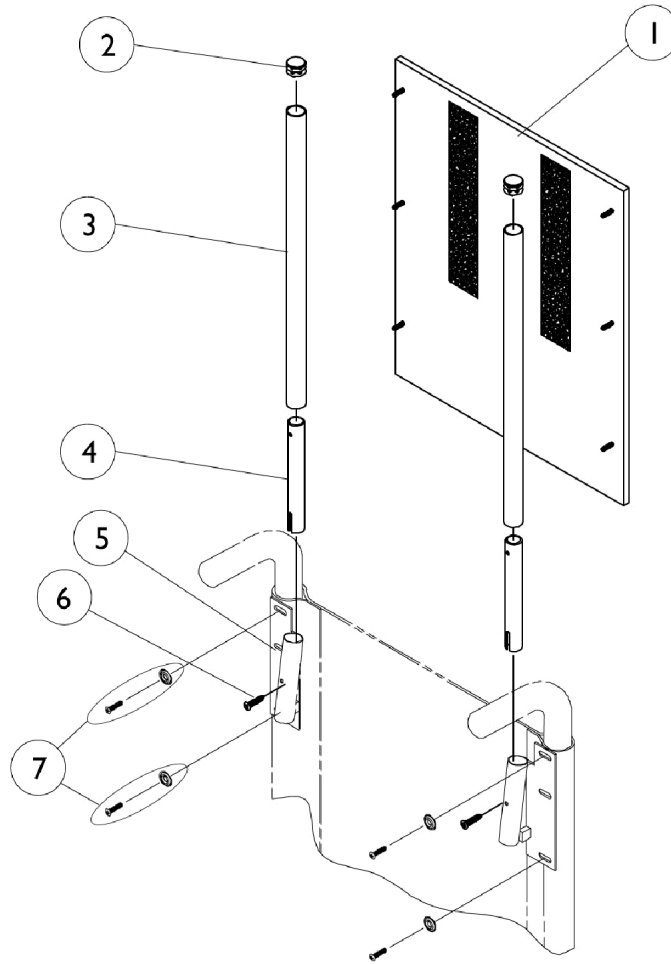


Headrest Extension (9110L) (For Non-Recliners Only)



Item #1 - Headrest Upholstery

Chair Width	Nylon	Vinyl
14" W	8881052586-NLA	8881054633-NLA See Note(s) A
16" W	8881052588-NLA	8881054638-NLA See Note(s) A
18" W	8881052590-NLA	8881054637-NLA See Note(s) A
20" W	8881052592-NLA	8881054639-NLA See Note(s) A

NOTE: A - Specify upholstery color when ordering. See page titled "Frame Finishes, Touch-Up Paints and Upholstery Colors."

Headrest Extension (9110L) (For Non-Recliners Only)

Item Number	Note	Part Number	Description	Quantity Per	
				Package	Assembly
1		See Chart	#1 - Headrest Upholstery	1	1
2		1027095	Plug Button, Black (7/8")	1	2
3		1054605-NLA	NLA - Tube, Headrest Extension	1	2
4		1028756-NLA	NLA - Tube, Insert	1	2
5		1028752-NLA	NLA - Bracket, Headrest, Black - Right	1	1
5		1028753	Bracket, Headrest, Black - Left	1	1
6		1028484	Screw, Phillips Pan Head Tap (#10-32 x 1/2")	1	2
7		1031095	Screws with Washers (#10-16 x 7/8")	1	4
7		1076284	Screw w/ Washer (#10 x 7/8")	4	1