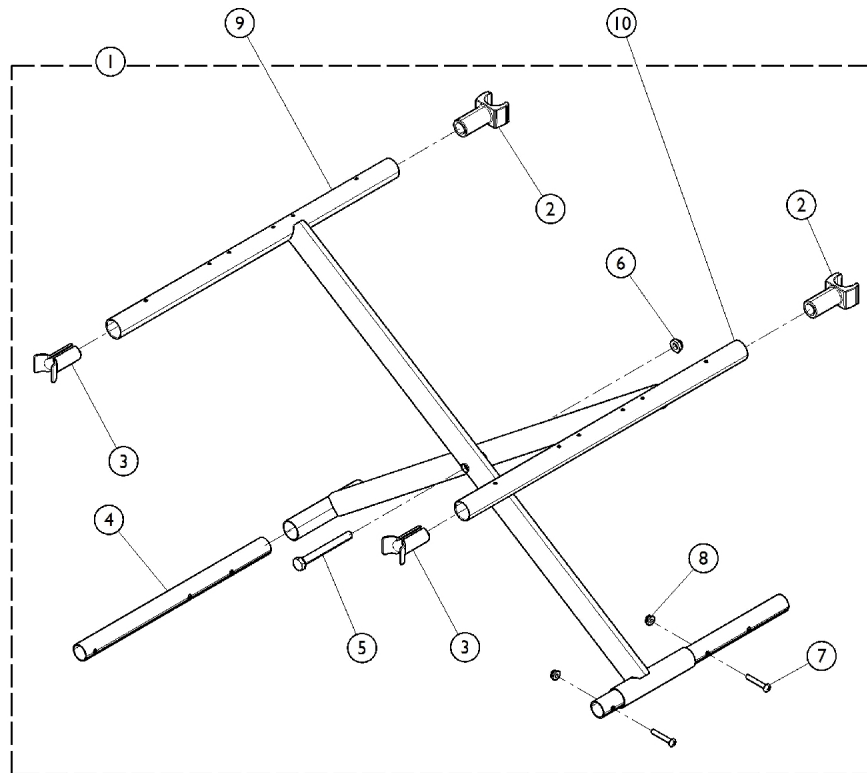


Crossbraces & Hardware - Fixed Front Frames EX2 and EXI



Item Number	Note	Part Number	Description	Quantity Per	
				Package	Assembly
1	A	1080050	Hardware, Crossbrace	1	1
2		1023617	Guide, Seat, Rear, Black	1	2
3		1058416	Guide, Seat, Front, Black	1	2
4		1078405	Tube, Insert	1	2
5		40317X001	Screw, Hex Head (5/16-24 x 2-3/4")	1	1
6		1107321	Nut, Low Cap (5/16"-24)	1	1
7		40183X002	Screw, Phillips Pan Head (#10-32 x 1-1/8")	1	4
8		60279X003	Locknut (#10-32)	1	4
9		1085071	Crossbrace Assembly, Black - Right (16" W)	1	1
9		1082479	Crossbrace Assembly, Black - Right (18" W)	1	1
9		1082482	Crossbrace Assembly, Black - Right (20" W)	1	1
10		1085072	Crossbrace Assembly, Black - Left (16" W)	1	1
10		1082480	Crossbrace Assembly, Black - Left (18" W)	1	1
10		1082483	Crossbrace Assembly, Black - Left (20" W)	1	1

NOTE: A - Includes Items 2 - 8.