

Oxygen Concentrator

International
Perfecto2VAW (IRC5PO2VAW)



Yes, you can.

Parts Catalog Usage Guide

The information contained in this document is subject to change without notice. This catalog contains service parts for Form No. 10-087. If you have any questions regarding this catalog, please contact one of our Customer Service Representatives.

For Customer Service Support Call:

1-800-333-6900

For Faxed In Orders Call:

1-800-678-4682 or

1-440-366-0709

For Technical Service Call:

1-800-832-4707

Literature Can Be Found at:

www.invacare.com or

1-800-828-6272

SYMBOL DEFINITION

Throughout this catalog you will notice letters to draw your attention to specific footnotes which are located at the bottom of the page or below specified charts.

Examples:

A,B,C etc. = Special Comments

NOTE: = General information pertaining to that specific page

NLA = No Longer Available

HARDWARE MEASUREMENTS

The measurements for the hardware will be listed as follows:

Screws, Bolts Diameter X Thread Count/Pitch X Length

Washers Inside Diameter X Outside Diameter X Thickness

Spacers Inside Diameter X Outside Diameter X Length

For your convenience, we have supplied an area for you to list your Invacare Representatives.

Name	Phone Numbers

© 2022 Invacare Corporation. All rights reserved. Republication, duplication or modification in whole or in part is prohibited without prior written permission from Invacare. Trademarks are identified by ™ and ®. All trademarks are owned by or licensed to Invacare Corporation or its subsidiaries unless otherwise noted.

TABLE of CONTENTS

Description	Page Number
Cabinet & Base (Perfecto2V AW)	6
Compressor & Mounting Hardware (Perfecto2VAW) Before 7/25/14 and After 01/24/19	9
Compressor & Mounting Hardware (Perfecto2VAW) Between 7/24/14-1/25/19	11
Control Panel & P.C. Board (Perfecto2VAW)	13
EU Customer Service Contact Information	3
Packaging and Literature (Perfecto2V AW)	5
Sieve Bed Assembly & Product Tank (Perfecto2VAW)	19
Sound Box Assembly (Perfecto2VAW) After 7/24/14	17
Sound Box Assembly (Perfecto2VAW) Before 7/25/14	15

EU Customer Service Contacts

European Customer Service	Invacare Site	European Customer Service	Invacare Site
Belgium & Luxemburg:	<p>Invacare nv Autobaan 22, B-8210 Loppem Tel: (32) (0)50 83 10 10 Fax: (32) (0)50 83 10 11 belgium@invacare.com www.invacare.be</p>	Nederland:	<p>Invacare BV Celsiusstraat 46, NL-6716 BZ Ede Tel: (31) (0)318 695 757 Fax: (31) (0)318 695 758 nederland@invacare.com www.invacare.nl cseede@invacare.com</p>
Danmark:	<p>Invacare A/S Sdr. Ringvej 37, DK-2605 Brøndby Tel: (45) (0)36 90 00 00, Fax: (45) (0)36 90 00 01 denmark@invacare.com / www.invacare.dk</p>	Norge:	<p>Invacare AS Grensesvingen 9, Postboks 6230, Etterstad, N-0603 Oslo Tel: (47) (0)22 57 95 00 Fax: (47) (0)22 57 95 01 norway@invacare.com www.invacare.no island@invacare.com</p>
Deutschland	<p>Invacare Aquatec GmbH Alemannenstraße 10, D-88316 Isny Tel: (49) (0)75 62 7 00 0 Fax: (49) (0)75 62 7 00 66 info@invacare-aquatec.com www.invacare-aquatec.de</p>	Österreich:	<p>Invacare Austria GmbH Herzog Odilostrasse 101, A-5310 Mondsee Tel: (43) 6232 5535 0 Fax: (43) 6232 5535 4 info@invacare-austria.com www.invacare.at</p>
European Distributor Organisation	<p>Invacare Deutschland GmbH Kleiststraße 49, D-32457 Porta Westfalica Tel: (49) (0)57 31 754 540 Fax: (49) (0)57 31 754 541 edo@invacare.com www.invacare.eu.com</p>	Portugal:	<p>Invacare Lda Rua Estrada Velha, 949, P-4465-784 Leça do Balio Tel: (351) (0)225 1059 46/47 Fax: (351) (0)225 1057 39 portugal@invacare.com www.invacare.pt</p>
España:	<p>Invacare SA c/Areny s/n, Polígon Industrial de Celrà, E-17460 Celrà (Girona) Tel: (34) (0)972 49 32 00 Fax: (34) (0)972 49 32 20 contactsp@invacare.com www.invacare.es</p>	Sverige & Suomi:	<p>Invacare AB Fagerstagatan 9, S-163 91 Spånga Tel: (46) (0)8 761 70 90 Fax: (46) (0)8 761 81 08 sweden@invacare.com www.invacare.se finland@invacare.com</p>
France:	<p>Invacare Poirier SAS Route de St Roch, F-37230 Fondettes Tel: (33) (0)2 47 62 64 66 Fax: (33) (0)2 47 42 12 24 contactfr@invacare.com www.invacare.fr</p>	Switzerland:	<p>Mobitec Rehab AG Benkenstrasse 260, CH-4108 Witterswil Tel: (41) (0)61 487 70 80 Fax: (41) (0)61 487 70 81 switzerland@invacare.com www.invacare.ch</p>

EU Customer Service Contacts

European Customer Service	Invacare Site	European Customer Service	Invacare Site
Ireland:	Invacare Ireland Ltd Unit 5 Seatown Business Campus, Seatown Road, Swords County Dublin - Ireland Tel: (353) 1 810 7084 Fax: (353) 1 810 7085 ireland@invacare.com www.invacare.ie	United Kingdom:	Invacare Limited Pencoed Technology Park Pencoed, Bridgend CF35 5HZ Switchboard Tel: (44) (0)1656 776200 Fax: (44) (0)1656 776201 Customer services Tel: (44) (0)1656 776222 Fax: (44) (0)1656 776220 UK@invacare.com www.invacare.co.uk
Italia:	Invacare Mecc San s.r.l. Via dei Pini 62, I-36016 Thiene (VI) Tel: (39) 0445 38 00 59 Fax: (39) 0445 38 00 34 italia@invacare.com www.invacare.it		

Packaging & Literature Perfecto2V AW

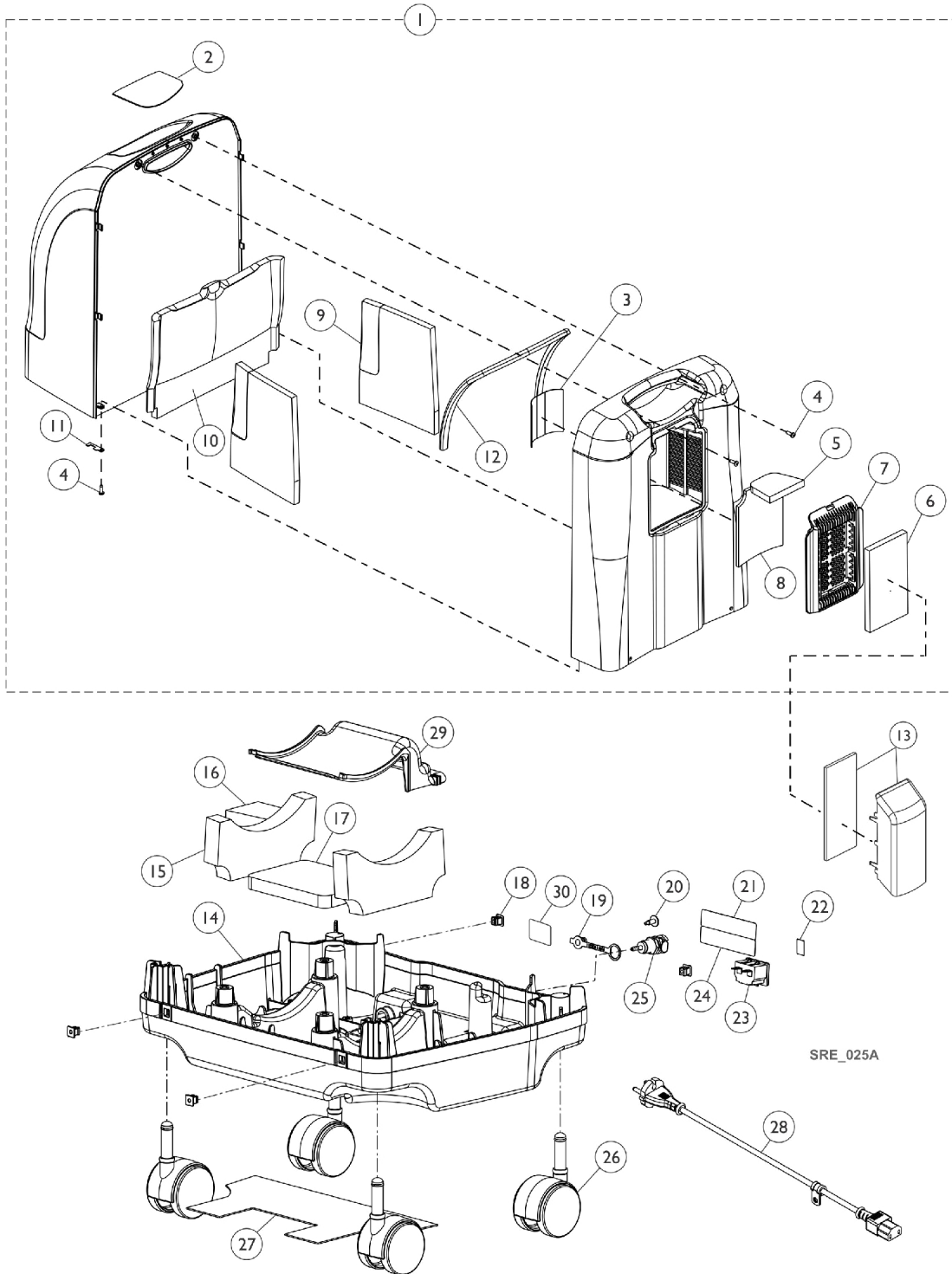
Item Number	Note	Part Number	Description	Quantity Per	
				Package	Assembly
	A,B	1161123	Kit, Packaging, Perfecto2	1	1
			Tech Only - Carton, Shipper	1	1
			Insert, Carton, Bottom	1	1
			Insert, Carton, Top, Corrugated	1	1
			Insert, Carton, Foam	1	1
			NLA - Bag, Poly (39" L x 33" W)	1	1
	A	1160878	Instruction Sheet, Attaching Cord and Air Scoop	1	1
NOTE: A - Not Shown. B - Includes Shipper Carton, Bottom Insert, Top Insert, Foam Insert and Poly Bag.					

Owner's Manual

Part Number	Description
1195056	Owners Manual, PerfectO2VAW - English
1195627	Owners Manual, PerfectO2VAW - Czech
1195628	Owners Manual, PerfectO2VAW - Danish
1195629	Owners Manual, PerfectO2VAW - Dutch
1195630	Owners Manual, PerfectO2VAW - Finnish
1195631	Owners Manual, PerfectO2VAW - French
1195632	Owners Manual, PerfectO2VAW - German
1195633	Owners Manual, PerfectO2VAW - Greek
1195634	Owners Manual, PerfectO2VAW - Italian
1195635	Owners Manual, PerfectO2VAW - Norwegian
1195636	Owners Manual, PerfectO2VAW - Polish
1195637	Owners Manual, PerfectO2VAW - Portuguese
1195638	Owners Manual, PerfectO2VAW - Spanish
1195639	Owners Manual, PerfectO2VAW - Swedish
1195695	Owners Manual, PerfectO2VAW - Russian
1195696	Owners Manual, PerfectO2VAW - Lithuanian
1195697	Owners Manual, PerfectO2VAW - Estonian
1195698	Owners Manual, PerfectO2VAW - Croatian
1195699	Owners Manual, PerfectO2VAW - Romanian
60101860	Owners Manual, PerfectO2VAW - Bulgarian

Cabinet and Base

Perfecto2V AW



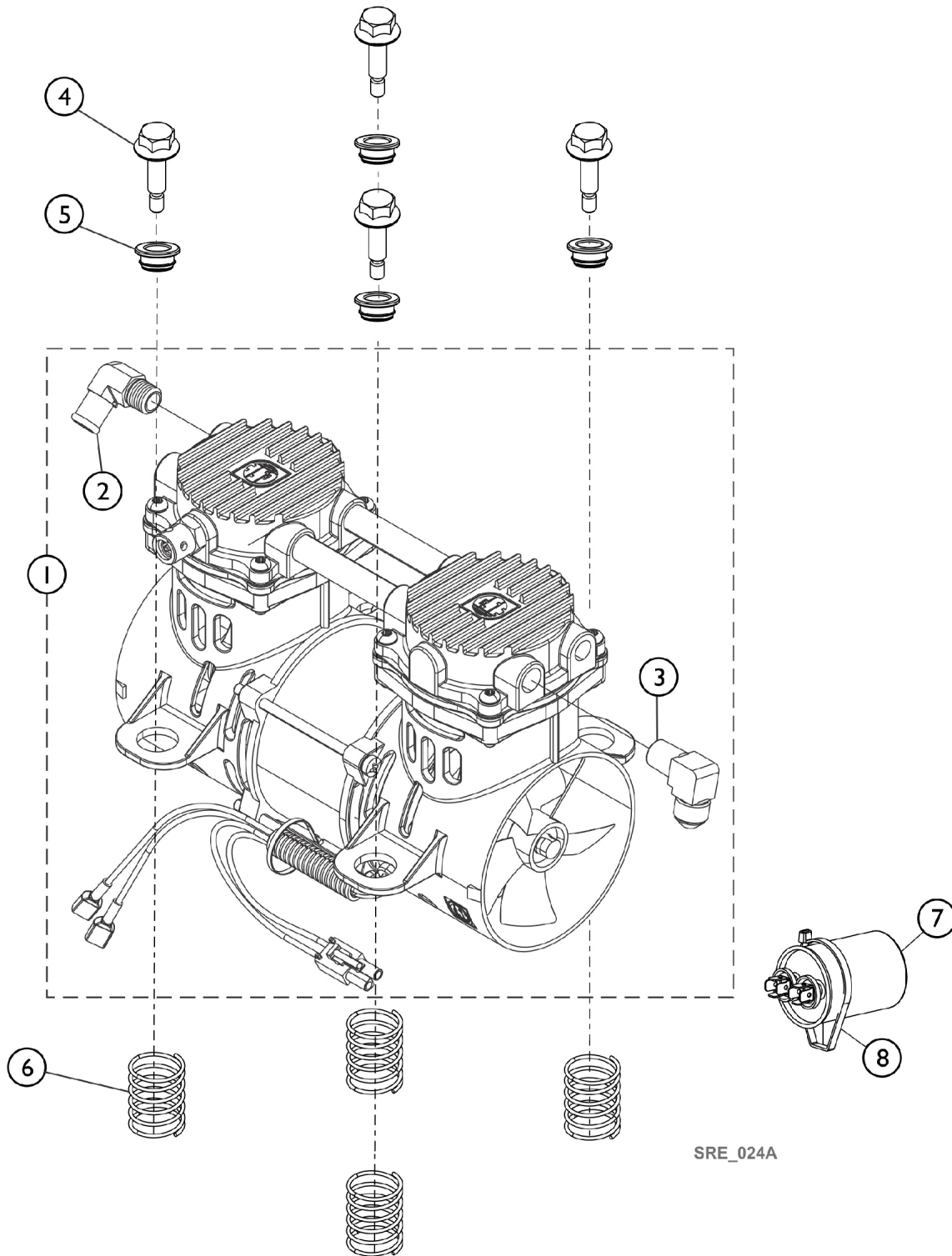
Cabinet and Base Perfecto2V AW

Item Number	Note	Part Number	Description	Quantity Per	
				Package	Assembly
1	A	1156046-NLA	NLA - Tech Only - Top Shroud Assembly	1	1
2		1167517	Label, Warning, Perfecto2VAW, English	1	1
2		1167518	Label, Warning, Perfecto2VAW, French	1	1
2		1167519	Label, Warning, Perfecto2VAW, Italian	1	1
2		1167520	Label, Warning, Perfecto2VAW, German	1	1
2		1167521	Label, Warning, Perfecto2VAW, Polish	1	1
2		1167522	Label, Warning, Perfecto2VAW, Dutch	1	1
2		1167523	Label, Warning, Perfecto2VAW, Czech	1	1
2		1167524	Label, Warning, Perfecto2VAW, Portuguese	1	1
2		1167525	Label, Warning, Perfecto2VAW, Danish	1	1
2		1167526	Label, Warning, Perfecto2VAW, Norwegian	1	1
2		1167527	Label, Warning, Perfecto2VAW, Spanish	1	1
2		1167528	Label, Warning, Perfecto2VAW, Greek	1	1
2		1167529	Label, Warning, Perfecto2VAW, Finnish	1	1
2		1171757	Label, Warning, Perfecto2VAW, Swedish	1	1
2		1193251	Label, Warning, Perfecto2VAW, Croatian	1	1
2		1193330	Label, Warning, Perfecto2VAW, Estonian	1	1
2		1193333	Label, Warning, Perfecto2VAW, Lithuanian	1	1
2		1194981	Label, Warning, Perfecto2VAW, Bulgarian	1	1
2		1194983	Label, Warning, Perfecto2VAW, Romanian	1	1
2		1194959	Label, Warning, Perfecto2VAW, Russian	1	1
3		1137267	Label, Diagnostic	1	1
4		1108810	Screw, Hi-Lo Six Lobe Drive (#10-16 x 5/8")	1	4
5		1153695	Foam, Inlet - Ceiling	1	1
6		1143492	Filter, Cabinet	1	1
7		1161831	Door, Cabinet Access, Beige	1	1
8		1153700	Foam, Inlet - Wall	1	1
9		1175250	Foam, Shroud - Side	1	2
10		1175251	Foam, Shroud - Front	1	1
11		1143550	Clip, Retaining	1	2
12		1186157	Foam, Gasket	1	1
13		1156532	Inlet Air Scoop Assembly	1	1
14	B	1143451-NLA	NLA - Tech Only - Base, Concentrator	1	1
15		1153706	Foam, Damping - Base	1	2
16		1154501	Foam, Resonator	1	1
17		1153705	Foam, Damping Outlet Base	1	1
18		2000360	Grommet, Plastic	1	4
19		1108211	Cap, End, Dust, Green	1	1
20		1156530	Screw, Phillips Round Washer Head Tap (8-18 x 1/2")	1	1
21		1167533	Label, PO2VAW Spec 230V	1	1
22		1136841-NLA	NLA - Label, Recycling	1	1
23		1105515-NLA	NLA - Tech Only - Module, Inlet (15A/ 250 VAC)	1	1

Cabinet and Base Perfecto2V AW

Item Number	Note	Part Number	Description	Quantity Per	
				Package	Assembly
24		1143250	Label, European Rep Address	1	1
25		1104151	Fitting, Hose Barb with Nut (1/8")	1	1
26		1110426	Caster Assembly (2")	1	4
27		1153704	Damper, Sound Base	1	1
28		1156533-NLA	NLA - Tech Only - Power Cord Assembly w/ Clip	1	1
29		1143444-NLA	NLA - Tech Only - Baffle, Exhaust	1	1
30		1171740	Label, PHTHALATE	1	1
NOTE: A - Includes Cabinet and Items 2-12. B - Includes Base Only.					

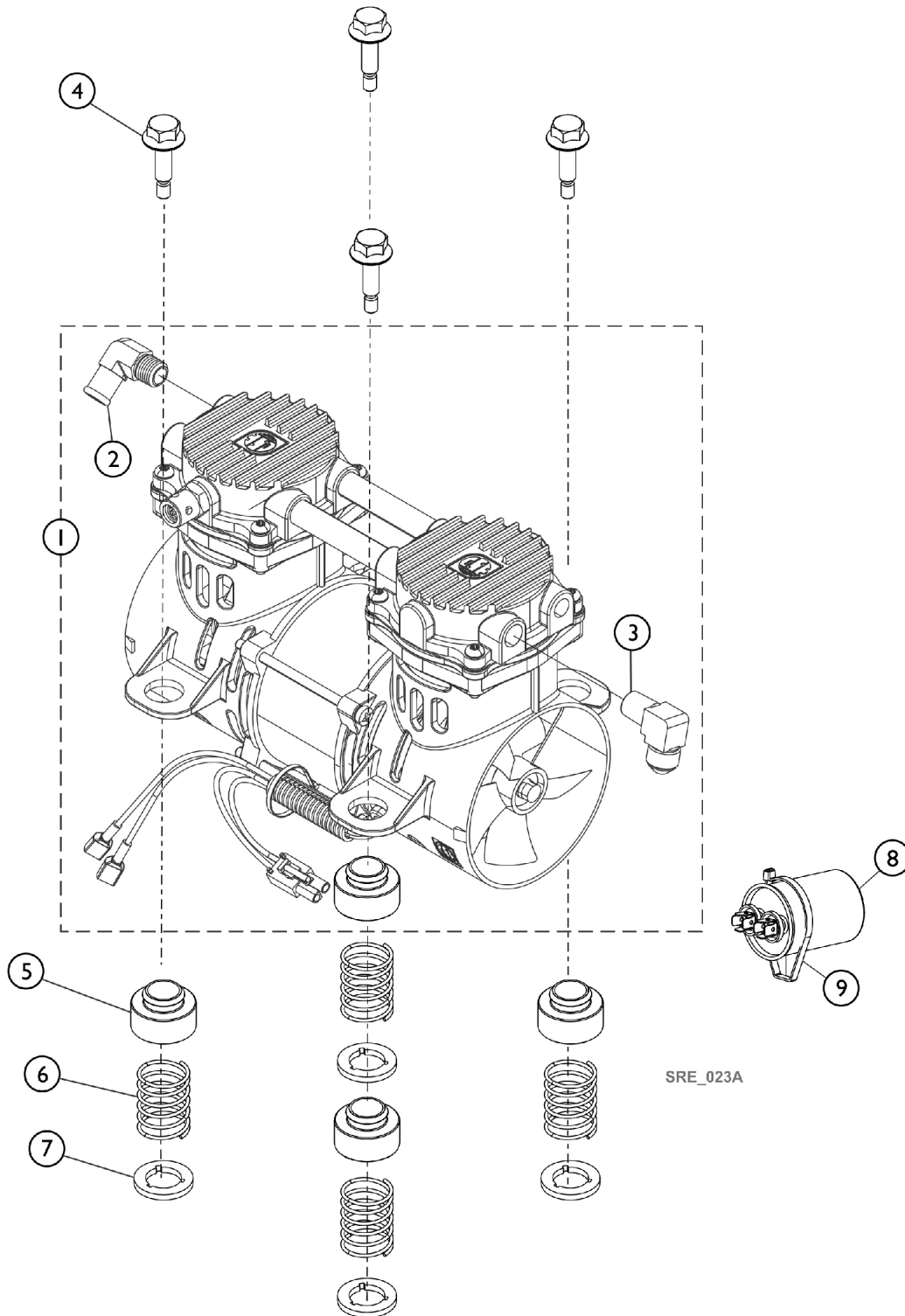
Compressor and Mounting Hardware Before 7/25/14 and After 01/24/19 Perfecto2VAW



Compressor and Mounting Hardware Before 7/25/14 and After 01/24/19 Perfecto2VAW

Item Number	Note	Part Number	Description	Quantity Per	
				Package	Assembly
1	A	1156043-NLA	NLA - Tech Only - Compressor Assembly, PO2V AW	1	1
2		1108819	Fitting, Elbow (1/2" Beaded Hose x 1/4" NPT)	1	1
3		1143489	Elbow, Male Flare	1	1
4		1143461	Screw, Hex Head Flange (1/4-20 x 7/8")	1	4
5		1143462	Bushing, Mounting	1	4
6		1143460	Spring, Compression (63/64 x 1-1/4 x 1/16")	1	4
7	B	1131250KIT	Kit, Capacitor (10 MFD)	1	1
			NLA - Tech Only - Capacitor, 10 MFD	1	1
			Tie Wrap (17-1/2" L)	1	1
			Tie Wrap (8" L)	1	2
			Instruction Sheet, Capacitor Replacement	1	1
8		1018239	Tie Wrap (17-1/2" L)	1	1
		1171179	PO2VAW Compressor Rebuild Kit w/ Instructions	1	1
NOTE: A - Includes (1) Compressor, and Items 2, 3. You will also need to order (1) Tie Wrap Part #1018239. B - Includes (1) 10MFD Capacitor and (2) Tie Wraps and instructions.					

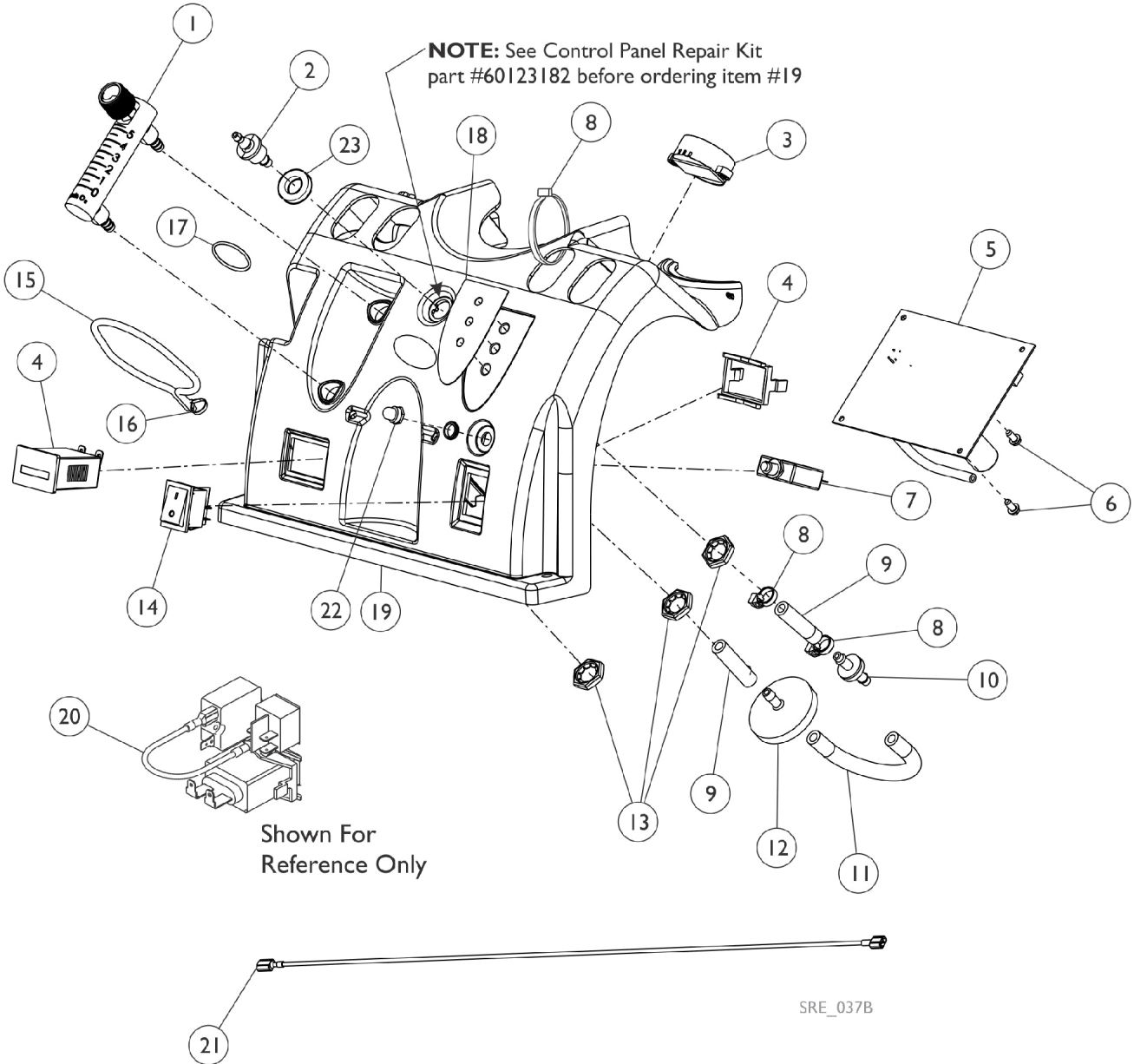
Compressor and Mounting Hardware Between 7/24/14-1/25/19 Perfecto2VAW



Compressor and Mounting Hardware Between 7/24/14-1/25/19 Perfecto2VAW

Item Number	Note	Part Number	Description	Quantity Per	
				Package	Assembly
1	A	1156043-NLA	NLA - Tech Only - Compressor Assembly, PO2V AW	1	1
2		1108819	Fitting, Elbow (1/2" Beaded Hose x 1/4" NPT)	1	1
3		1143489	Elbow, Male Flare	1	1
4		1143461	Screw, Hex Head Flange (1/4-20 x 7/8")	1	4
5		1171968-NLA	NLA - Tech Only - Bushing, Mounting	1	4
6		1185400-NLA	NLA - Tech Only - Spring, Compression (1" x 1-11/32 x 1/16")	1	4
7		1185398-NLA	NLA - Washer, Lower Rubber	1	4
8	B	1131250KIT	Kit, Capacitor (10 MFD)	1	1
			NLA - Tech Only - Capacitor, 10 MFD	1	1
			Tie Wrap (17-1/2" L)	1	1
			Tie Wrap (8" L)	1	2
			Instruction Sheet, Capacitor Replacement	1	1
9		1018239	Tie Wrap (17-1/2" L)	1	1
		1171179	PO2VAW Compressor Rebuild Kit w/ Instructions	1	1
NOTE: A - Includes (1) Compressor, and Items 2, 3. You will also need to order (1) Tie Wrap Part #1018239. B - Includes (1) 10MFD Capacitor and (2) Tie Wraps and instructions.					

Control Panel and P.C. Board Perfecto2VAW



Control Panel and P.C. Board Perfecto2VAW

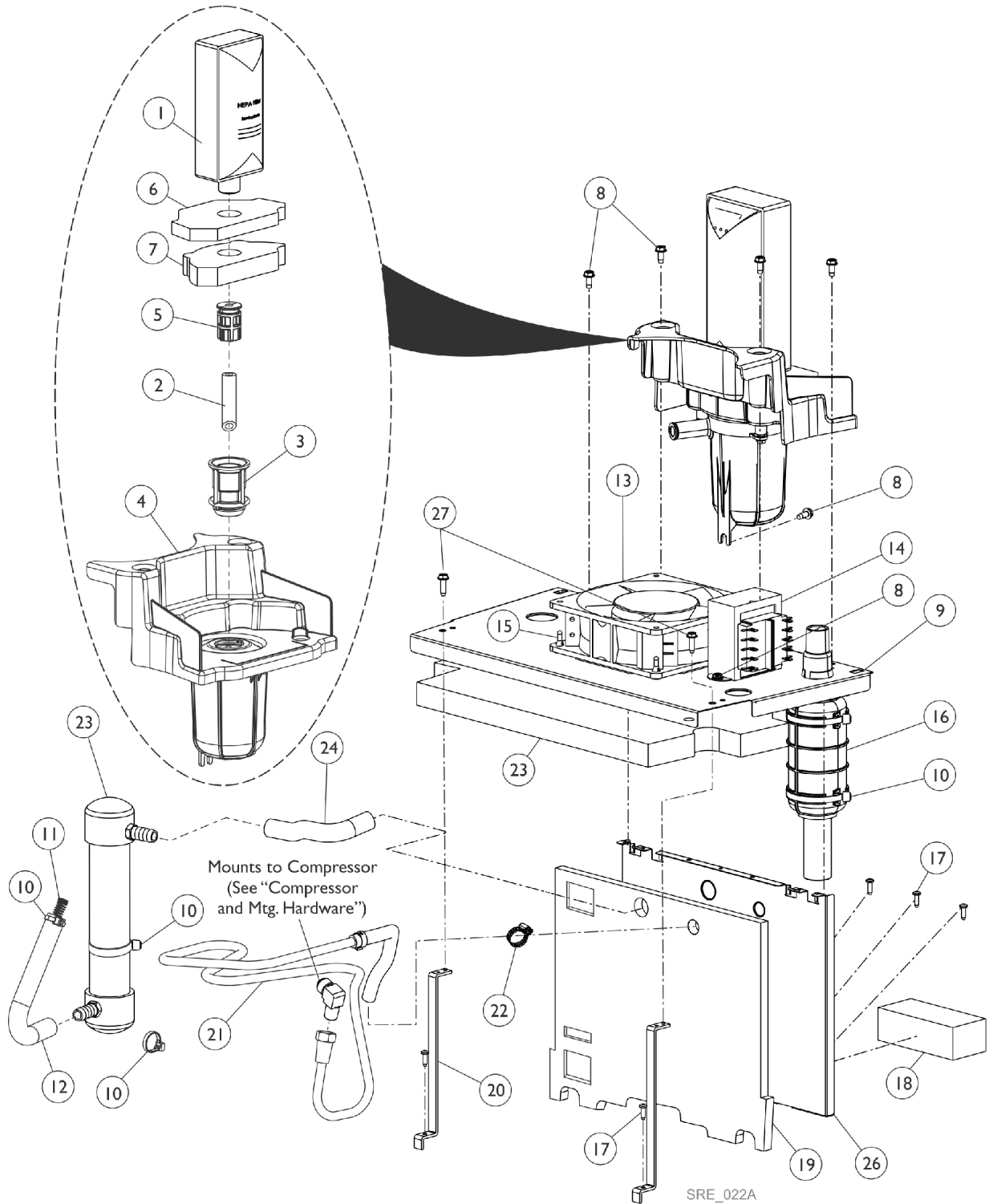
Item Number	Note	Part Number	Description	Quantity Per	
				Package	Assembly
1		1110561	Flowmeter without Palnuts - 5 Liter	1	1
2		2000473	Connector, Barbed (1/4")	1	1
3		1143503	Horn/Alarm Assembly	1	1
4		2002939-NLA	NLA - Tech Only - Hour Meter Assembly with Clip	1	1
5		1194768	PCB Assembly - PO2V	1	1
6		1143499	Screw, Phillips Hex Washer Head (#8-16 x 3/8)	1	2
7		1110824-NLA	NLA - Tech Only - Circuit Breaker (4 AMP)	1	1
8		2001682	Tie Wrap (8" L)	1	4
9		1110473	Tubing, PVC (1/4 x 1-3/4")	1	2
10		2000436	Check Valve, Barb (5/16")	1	1
11		1143144	Tubing, PVC (1/4 x 5")	1	1
12		P0750X030	Filter, Patient HEPA Outlet	1	1
13		2000507	Palnut (9/16-18)	1	3
14		1139950	Switch, Powe On/Off	1	1
15		60125500	Cord, Elastic	1	1
16		1006525	Tie Wrap (3-29/32" L)	1	1
17		1095497	Decal, Invacare Logo (1.6)	1	1
18		1143479	Label, LED - PO2/PO2V/PO2W	1	1
19	D	1143469	Panel, Control	1	1
	C,D	60123182	Kit, Control Panel Repair	1	1
			Plate, External Outlet Port	1	1
			Plate, Internal Outlet Port	1	1
			Washer, Foam	1	1
			Tie Wrap (8" L)	1	1
			Manual, Service for Control Panel Repair	1	1
20		2001764	Jumper Wire Assembly	1	1
21		1143501-NLA	NLA - Power Jumper Assembly	1	1
22		1112562-NLA	NLA - Tech Only - Seal, Circuit Breaker	1	1
23		1194537	Washer, Foam	1	1
	A,B	1154101-NLA	NLA - Tech Only - Main Harness Assembly	1	1
	A,B	1143526	Wire Harness Valve Assembly	1	1
<p>NOTE: A - Not Shown. B - Connects to PC Board. C - Not Shown D - Control Panel Repair Kit part #60123182 assembles to the Control Panel before attaching item #2 Brass Barbed Connector. This eliminates the need to repalce a Control Panel.</p>					

Sound Box Assembly Before 7/25/14 Perfecto2VAW

Item Number	Note	Part Number	Description	Quantity Per	
				Package	Assembly
1		1131249	Filter, Inlet Sound Reduced	1	1
2		1153703-NLA	NLA - Tube, Clear (1/2 x 2-3/4")	1	1
3		1106675	Coupling, Inlet Filter	1	1
4		1143435	Resonator Assembly	1	1
5		1128404	Screw, Phillips Hex Washer Head (#8-32 x 3/8")	1	7
6		1143473	Soundbox, Horizontal	1	1
7		2001682	Tie Wrap (8" L)	1	4
8		1136943-NLA	NLA - Tech Only - Fan, Exhaust	1	1
9		1153690-NLA	NLA - Tech Only - Transformer Assembly, 20V - PO2AW	1	1
10		1143491	Rivet, Isolator Mount	1	4
11		1143554	Muffler Assembly	1	1
12		1108810	Screw, Hi-Lo Six Lobe Drive (#10-16 x 5/8")	1	5
13		1147917	Mount, Foam Valve 4-Way	1	1
14		1154030	Foam, Soundbox - Vertical	1	1
15		1143474	Gusset, Soundbox	1	2
16		1186169	Heat Exchanger Assembly	1	1
17		1143582	Clamp, Hose Adjustable (3/8")	1	1
18		1153693	Foam, Resonator - Top	1	1
19		1153694	Foam, Resonator - Bottom	1	1
20		1153699	Foam, Soundbox - Ceiling	1	1
21		1153707	Tube, Resonator Inlet Preformed	1	1
22		1153692-NLA	NLA - Tube, Inlet Silencer	1	1
23		1153788	Resonator, Inlet	1	1
24		1153708-NLA	NLA - Tube, Resonator Outlet Preformed	1	1
25		1143445-NLA	NLA - Soundbox, Vertical	1	1
26		60127442	Screw, Slot Hex (10-16)	1	2

Sound Box Assembly After 7/24/14

Perfecto2VAW

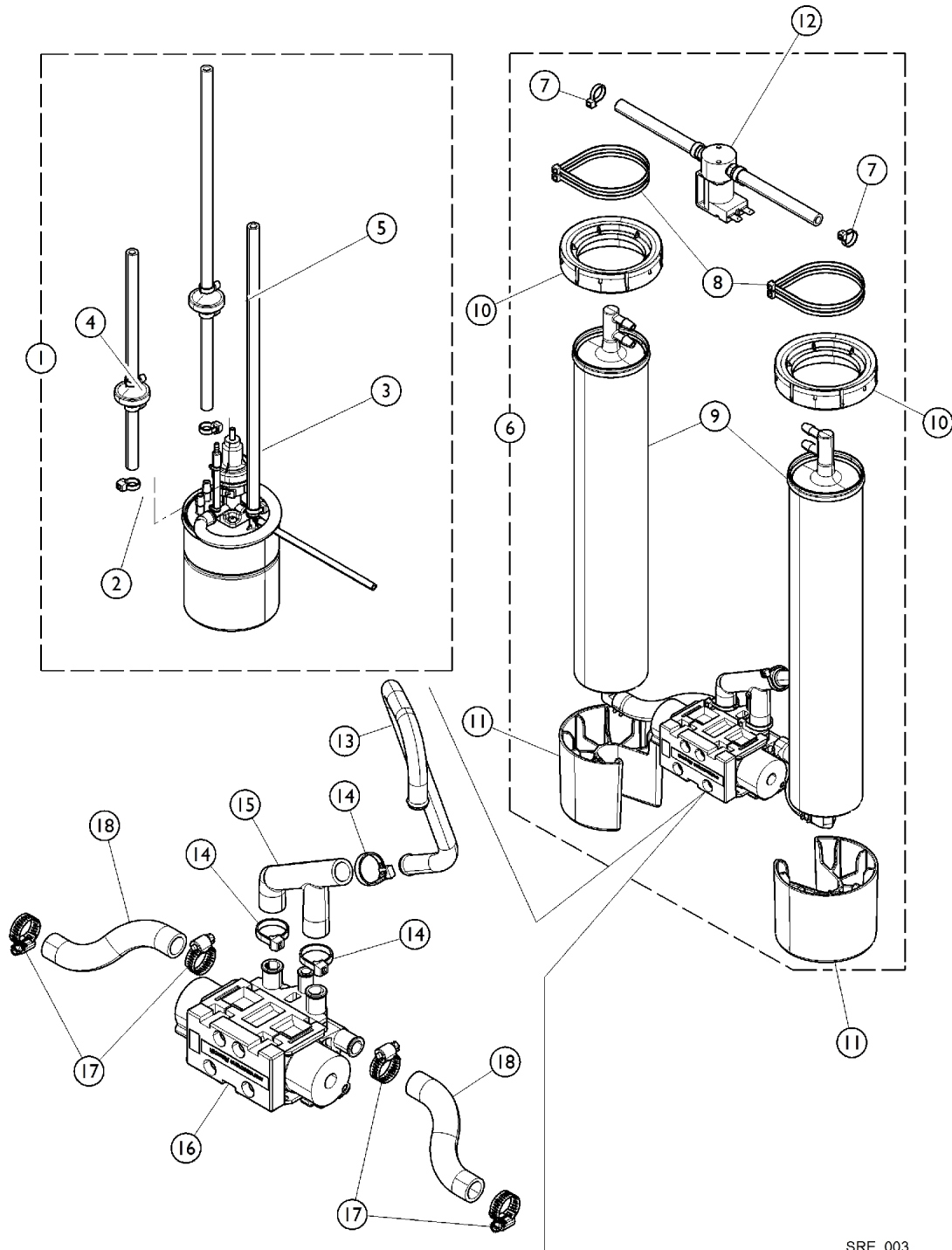


Sound Box Assembly After 7/24/14 Perfecto2VAW

Item Number	Note	Part Number	Description	Quantity Per	
				Package	Assembly
1		1131249	Filter, Inlet Sound Reduced	1	1
2		1175254-NLA	NLA - Tech Only - Tubing, PVC (1/4" x 1-29/32")	1	1
3		1106675	Coupling, Inlet Filter	1	1
4		1143435	Resonator Assembly	1	1
5		1175253-NLA	NLA - Tech Only - Restrictor, Inlet Filter w/ Counter Bore	1	1
6		1153693	Foam, Resonator - Top	1	1
7		1153694	Foam, Resonator - Bottom	1	1
8		1128404	Screw, Phillips Hex Washer Head (#8-32 x 3/8")	1	7
9		1143473	Soundbox, Horizontal	1	1
10		2001682	Tie Wrap (8" L)	1	5
11		1185399-NLA	NLA - Tech Only - Spring (10 LG x 0.400 OD)	1	1
12		1185758	Tube, Resonator Inlet Preformed	1	1
13		1136943-NLA	NLA - Tech Only - Fan, Exhaust	1	1
14		1153690-NLA	NLA - Tech Only - Transformer Assembly, 20V - PO2AW	1	1
15		1143491	Rivet, Isolator Mount	1	4
16		1143554	Muffler Assembly	1	1
17		1108810	Screw, Hi-Lo Six Lobe Drive (#10-16 x 5/8")	1	5
18		1147917	Mount, Foam Valve 4-Way	1	1
19		1154030	Foam, Soundbox - Vertical	1	1
20		1143474	Gusset, Soundbox	1	2
21		1186169	Heat Exchanger Assembly	1	1
22		1143582	Clamp, Hose Adjustable (3/8")	1	1
23		1153788	Resonator, Inlet	1	1
24		1153707	Tube, Resonator Inlet Preformed	1	1
25		1153699	Foam, Soundbox - Ceiling	1	1
26		1143445-NLA	NLA - Soundbox, Vertical	1	1
27		60127442	Screw, Slot Hex (10-16)	1	2

Sieve Bed Assembly and Product Tank

Perfecto2VAW



SRE_003

Sieve Bed Assembly and Product Tank Perfecto2VAW

Item Number	Note	Part Number	Description	Quantity Per	
				Package	Assembly
1		1182226	Product Tank Assembly w/ Senso2 Regulator	1	1
2		2001682	Tie Wrap (8" L)	1	11
3	A	1182500	Kit, Regulator/Adaptor w/ Bled Adaptor, Foam Mount and Check Valve Assy.	1	1
			Kit, Regulator and Adaptor w/ Bled Regulator Mount, Foam Product Tank	1	1
			Check Valve Assembly (14-1/2")	1	1
			Tie Wrap (17-1/2" L)	1	1
			Tie Wrap (8" L)	1	2
			Instruction Sheet, Contents and Application	1	1
4	B	1143544	Check Valve Assembly (9")	1	1
5	C	1182170	Check Valve Assembly (14-1/2")	1	1
6	D,L	1165099	Kit, Sieve Beds (Pair)	1	1
7			Tie Wrap (8" L)	1	4
8			Tie Wrap (17-1/2" L)	1	4
9			NLA - Tech Only - Sieve Bed Assembly	1	2
7		2001682	Tie Wrap (8" L)	1	4
8		1018239	Tie Wrap (17-1/2" L)	1	4
10		1164806-NLA	NLA - Tech Only - Adapter, Sieve Bed Top	1	2
11		1164807	Adapter, Sieve Bed Bottom	1	2
12		1164785	PE Valve Assembly	1	1
13		1143447	Tube, Exhaust	1	1
14		2001682	Tie Wrap (8" L)	1	3
15		1143446	Tube, F	1	1
16	F	1143436	Manifold, Air	1	1
	G	1101141	Kit, 4-Way Valve w/ Screws	1	1
	H,K	1143497-NLA	NLA - Valve, Operator Pilot Low Power	1	1
	H	2003052	Valve, Operator Pilot	1	1
		1085112	O-Ring, Pilot Valve (35/64" I.D.)	1	1
17		P0876X026	Clamp, Hose	1	4
18		1188708	Tube, Polyurethane, Preformed (1/2")	1	2
	J	1164798	Support, Mid	1	1

NOTE: A - Kit includes the Regulator, Adaptor, Tank Mount, Check Valve, Tie Wraps, and Instruction Sheet.
 B - Includes (1) Valve, (2) Tie Wraps, (1) 6" Tubing and (1) 3" Tubing.
 C - Includes (1) Valve, (2) Tie Wraps, (1) 10" Tubing and (1) 4-1/2" Tubing.
 D - Includes items 7-9
 F - Order with 1101141, 2003052, and 1085112.
 G - Includes the 4-Way Valve with Screws only
 H - A new Pilot Valve O-Ring Part #1085112 is recommended when ordering a new Operator Pilot Low Power Valve
 J - Not shown on illustration.
 K - No Longer Available. Order part #2003052 as a replacement.
 L - May contain reactivated sieve.

Invacare Corporation

www.invacare.com



Yes, you can.

One Invacare Way
Elyria, Oh USA
44036-2125
800-333-6900

Technical Support
800-832-4707
Customer Service
800-333-6900

Literature Orders
800-333-6900

© 2022 Invacare Corporation. All rights reserved. Republication, duplication or modification in whole or in part is prohibited without prior written permission from Invacare. Trademarks are identified by [™] and ©. All trademarks are owned by or licensed to Invacare Corporation or its subsidiaries unless otherwise noted. (Revised 7/18/22)

Form No. 10-087