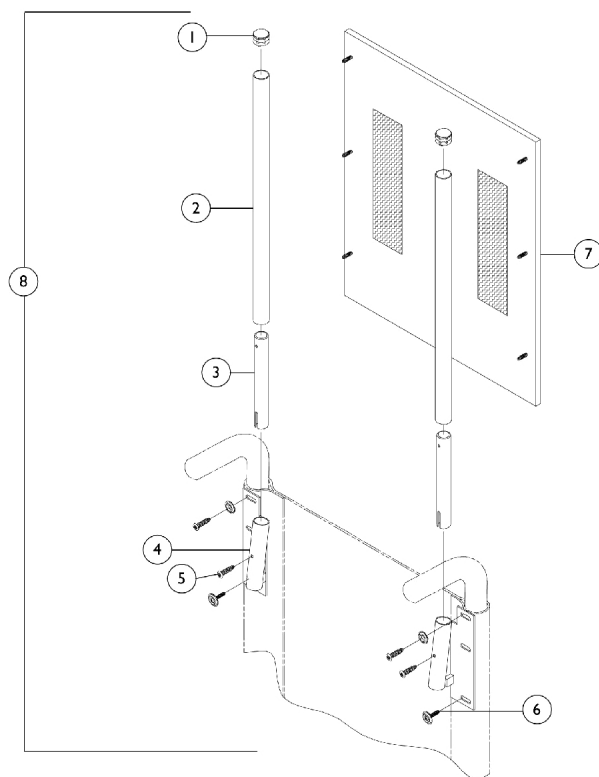


## Headrest Extension - Non Recliner SX, EX, & DLX Only



Item Number	Note	Part Number	Description	Quantity Per	
				Package	Assembly
1		1027095	Plug Button, Black (7/8")	1	2
2		1054604-NLA	NLA - Tube, Headrest Extension	1	2
3		48811X003	Tube, Insert	1	2
4		1028752-NLA	NLA - Bracket, Headrest, Black - Right	1	2
4		1028753	Bracket, Headrest, Black - Left	1	2
5		40163X013-NLA	NLA - Screw, Phillips Pan Head Tap (#10-32 x 1/2")	1	2
6		1076283	Screw, Phillips Oval Head w/ Washer (#10-16 x 7/8")	1	4
7		See Chart	Headrest Upholstery - Non Recliner	1	1
8	A	See Chart	Extension Assembly - Non Recliner	1	1
	B,C	1098351-NLA	NLA - Instruction Sheet	1	1

NOTE: A - Includes items 1-7 and an instruction sheet.  
 B - Not Shown.  
 C - Item is no longer available from the Invacare Service Parts Department. Refer to the Invacare Website under "Product Literature Search". Enter the part number in the "Keywords" field and download a free PDF version copy.

## Headrest Upholstery - Non Recliner

Width	Vinyl Headrest Upholstery	Nylon Headrest Upholstery
14" Wide	8881054633-NLA	8881052586-NLA
	See Note(s) A	

# Headrest Extension - Non Recliner SX, EX, & DLX Only

## Headrest Upholstery - Non Recliner

Width	Vinyl Headrest Upholstery	Nylon Headrest Upholstery
15" Wide	8881054634-NLA  See Note(s) A	8881052587-NLA
16" Wide	8881054638-NLA  See Note(s) A	8881052588-NLA
16-1/2" Wide	8881091223-NLA  See Note(s) A	N/A
17" Wide	8881054635-NLA  See Note(s) A	8881052589-NLA
18" Wide	8881054637-NLA  See Note(s) A	8881052590-NLA
19" Wide	8881054636-NLA  See Note(s) A	8881052591-NLA
20" Wide	8881054639-NLA  See Note(s) A	8881052592-NLA
22" Wide	8881054640-NLA  See Note(s) A	N/A

NOTE: A - Specify upholstery color when ordering, see category titled, "Upholstery Colors."

# Headrest Extension - Non Recliner

## SX, EX, & DLX Only

### Extension Assembly - Non Recliner

Width	Vinyl Headrest Extension Assembly	Nylon Headrest Extension Assembly
14" Wide	8881050181-NLA See Note(s) A, B	8881052776-NLA See Note(s) B
15" Wide	8881050182-NLA See Note(s) A, B	8881052777-NLA See Note(s) B
16" Wide	8881050183 See Note(s) A, B	8881052778-NLA See Note(s) B
16-1/2" Wide	8881091224-NLA See Note(s) B, A	N/A
17" Wide	8881050184-NLA See Note(s) A, B	8881052779-NLA See Note(s) B
18" Wide	8881050185-NLA See Note(s) B, A	8881052780-NLA See Note(s) B
19" Wide	8881050186-NLA See Note(s) A, B	8881052781-NLA See Note(s) B
20" Wide	8881050187-NLA See Note(s) B, A	8881052782-NLA See Note(s) B
22" Wide	8881050188-NLA See Note(s) B, A	N/A
NOTE: A - Specify upholstery color when ordering, see category titled, "Upholstery Colors." B - Includes items 1-7 and an instruction sheet.		