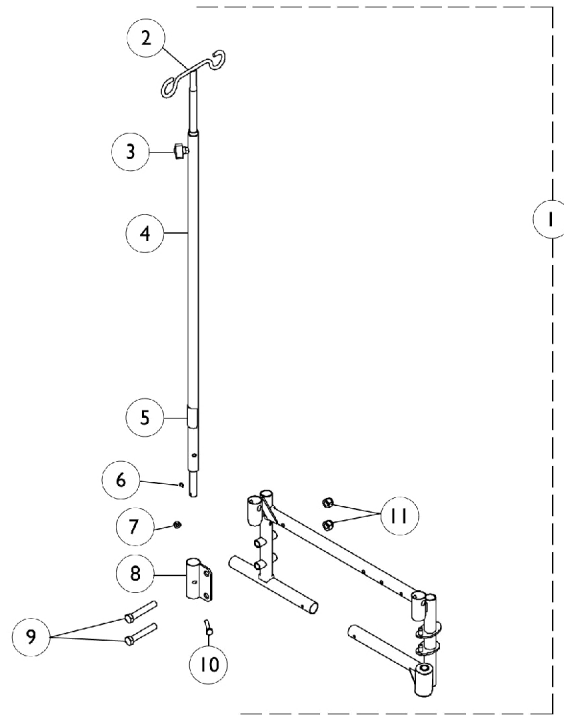


I.V. Rod and Bracket - 1322SXR Tracer SX Recliner



Item Number	Note	Part Number	Description	Quantity Per	
				Package	Assembly
1	A	1087211-NLA	NLA - I.V. Rod Assembly	1	1
2		04701X041	Rod, I.V., Recliner, Black	1	1
3		1027683	Knob, Adjustment, Black	1	1
4		1076521	Tube, Support, I.V. Rod, Black	1	1
5		1027708-NLA	NLA - Decal, Invacare	1	1
5		1095497	Decal, Invacare Logo (1.6)	1	1
6		40121X000-NLA	NLA - Screw, Phillips Pan Head (#6-32 x 3/16")	1	1
7		1008882	Locknut (1/4-20)	1	1
8		1087210	Holder, I.V. Rod	1	1
9		1021755-NLA	NLA - Screw, Hex Head (7/16-20 x 2-1/2")	1	2
10		1007017-NLA	NLA - Screw, Hex Head (1/4-20 x 1-1/4")	1	1
11		1045608	Locknut (7/16-20)	1	2
	B	1088304-NLA	NLA - Instruction Sheet	1	1

NOTE: A - Includes items 2-11 and an instruction sheet.
B - Not Shown