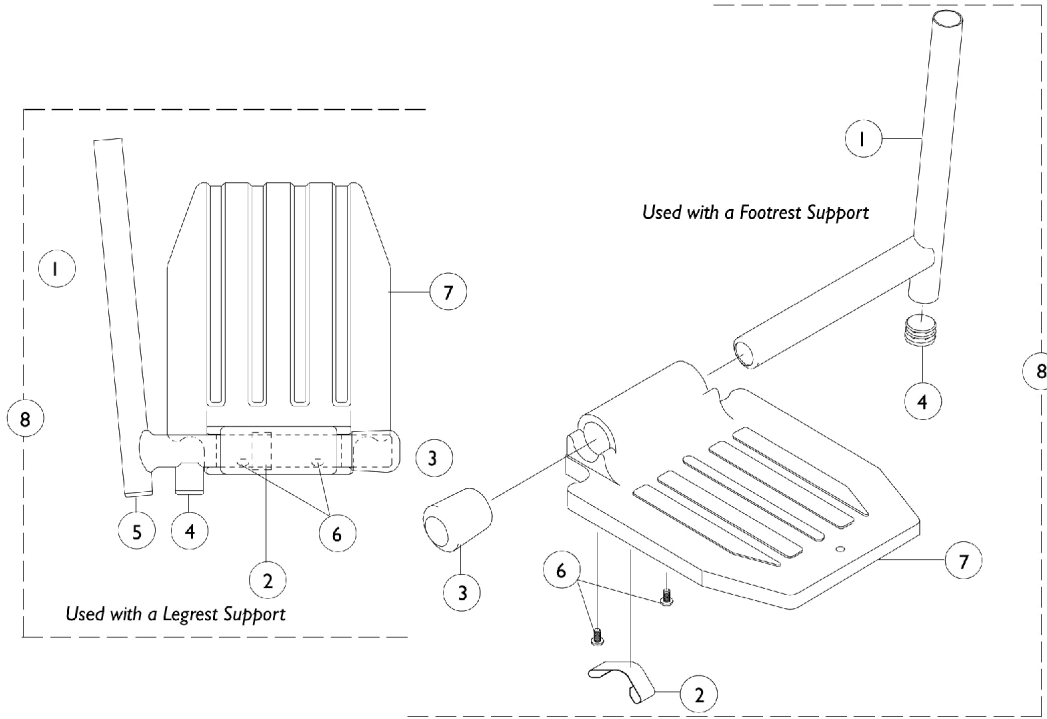


# Pivot Slide Tube with Footplate

TLXH3A/C/S, T943A/C/S, TLXH4A/C/S, T944A/C/S, AHL4A/C, AHS4, TR12/13/14, TRP14, T934C, TRH13/14, & TRPH14



Item Number	Note	Part Number	Description	Quantity Per	
				Package	Assembly
1	A	7500004-NLA	NLA - Pivot/Slide Tube w/ Plug Button	1	1
1	B	7500005-NLA	NLA - Pivot/Slide Tube w/ Plug Button, Chrome	1	1
1	C	1041526	Pivot/Slide Tube w/ Plug Button Assembly, Chrome	1	1
2		1006981	Spring, Tension	1	1
3		1016346	Cap, End, Tube, Black (7/8")	1	1
4		1027097	Plug Button, Black (3/4")	1	1
5		1018133	Plug Button, Black (5/8")	1	1
6		40120X001	Screw, Phillips Pan Head (#8-32 x 3/8")	1	2
7		44200X027	Footplate, Aluminum, Medium, Black (7-3/4" W x 6" L)	1	1
7		44200X059	Footplate, Aluminum, Small, Black (6-3/4" W x 6" L)	1	1
7		1015178	Footplate, Composite, Black (6" W x 7-53/64" L)	1	1
8		See Chart	Pivot Slide Tube - Fixed Front Frame	1	1
8		See Chart	Pivot Slide Tube - Tracer Series	1	1
8		See Chart	Pivot Slide Tube - "T" Series	1	1

NOTE: A - Used on TLXH3S, TLXH3A, TLXH3C, T943A/C/S, and TRH13.  
 B - Used on TLXH4A, TLXH4C, TLXH4S, T944A/C/S, TR12, TR13, TR14, TRP14, T934C, and TRH14.  
 C - Used on AHL4A, AHL4C, and AHS4.

## Pivot Slide Tube - Tracer Series

**Pivot Slide Tube with Footplate**  
**TLXH3A/C/S, T943A/C/S, TLXH4A/C/S, T944A/C/S, AHL4A/C, AHS4,**  
**TR12/13/14, TRP14, T934C, TRH13/14, & TRPH14**

**Pivot Slide Tube - Tracer Series**

Footplate Type	TR13 14"	TR13 16-20"	TRH13 16-18"	T943A, T943C, TLXH3A, TLXH3C, T933A, T933C, TLX3A, TLX3C, 16-22"	T93AA, T93AA1350, T933A, T943C, TLXH3A, TLXH3C 16-18"	T943A, T943C, TLXH3A, TLXH3C 20-22"	T943S, TLXH3S
Aluminum -Right	1020232-NLA See Note(s) A	1017243-NLA See Note(s) A	N/A	1017243-NLA	1111287	1017243-NLA	1020232-NLA
Aluminum -Left	1020233-NLA See Note(s) A	1017244-NLA See Note(s) A	N/A	1017244-NLA	1111288	1017244-NLA	1020233-NLA
Composite -Right	N/A	1017224-NLA	1017224-NLA	1017224-NLA	1111291	1017224-NLA	N/A
Composite -Left	N/A	1017225-NLA	1017225-NLA	1017225-NLA	1111292	1017225-NLA	N/A
Extra Large Aluminum -Right	N/A	1031926-NLA See Note(s) A	N/A	1031926-NLA	1110346	1031926-NLA	N/A
Extra Large Aluminum -Left	N/A	1031927-NLA See Note(s) A	N/A	1031927-NLA	1110347	1031927-NLA	N/A

NOTE: A - These are available for the Invacare MGI ONLY.

# Pivot Slide Tube with Footplate

## TLXH3A/C/S, T943A/C/S, TLXH4A/C/S, T944A/C/S, AHL4A/C, AHS4, TR12/13/14, TRP14, T934C, TRH13/14, & TRPH14

### Pivot Slide Tube - Fixed Front Frame

Description	Composite - Right	Composite - Left
TR13 - 16-20" / TRH13 - 16-18" T943A / T943C / TLXH3A / TLXH3C / T933A / T933C / TLX3A / TLX3C - 16-22"	1017224-NLA	1017225-NLA
T93AA / T93AA1350 / T933A / T943C / TLXH3A / TLXH3C - 16-18"	1111291	1111292
T943A / T943C / TLXH3A / TLXH3C - 20-22"	1017224-NLA	1017225-NLA

NOTE: Additional support assembly is not needed with fixed front frames.

### Pivot Slide Tube - "T" Series

Footplate Type	TR14 14"	TR14 16-20"	TRH14 16-18" TRP14, T934C 16-20"	T934A, T934C, TLX4A, TLX4C, T944A, T944C, TLXH4A, TLXH4C 16-18"	T934A, T934C, TLX4A, TLX4C, T944A, T944C, TLXH4A, TLXH4C 20-22"	T944C, TRPH14 16-18"	T944S, TLXH4S 14"
Aluminum Right	1020234-NLA See Note(s) A	1017237-NLA See Note(s) A	N/A	1017237-NLA	1017237-NLA	N/A	1020234-NLA
Aluminum Left	1020235-NLA See Note(s) A	1017238-NLA See Note(s) A	N/A	1017238-NLA	1017238-NLA	N/A	1020235-NLA
Composite Right	N/A	1017233-NLA	1017233-NLA	1017233-NLA	1017233-NLA	1017233-NLA	N/A
Composite Left	N/A	1017234-NLA	1017234-NLA	1017234-NLA	1017234-NLA	1017234-NLA	N/A
Extra Large Aluminum Right	N/A	1031934-NLA See Note(s) A	N/A	1031934-NLA	1031934-NLA	N/A	N/A
Extra Large Aluminum Left	N/A	1031935-NLA See Note(s) A	N/A	1031935-NLA	1031935-NLA	N/A	N/A
Adjustable Angle Right	N/A	N/A	N/A	1062756	1091789-NLA	N/A	1060444
Adjustable Angle Left	N/A	N/A	N/A	1062757	1091790-NLA	N/A	1060445

NOTE: A - Available for Invacare MGI Accounts ONLY.