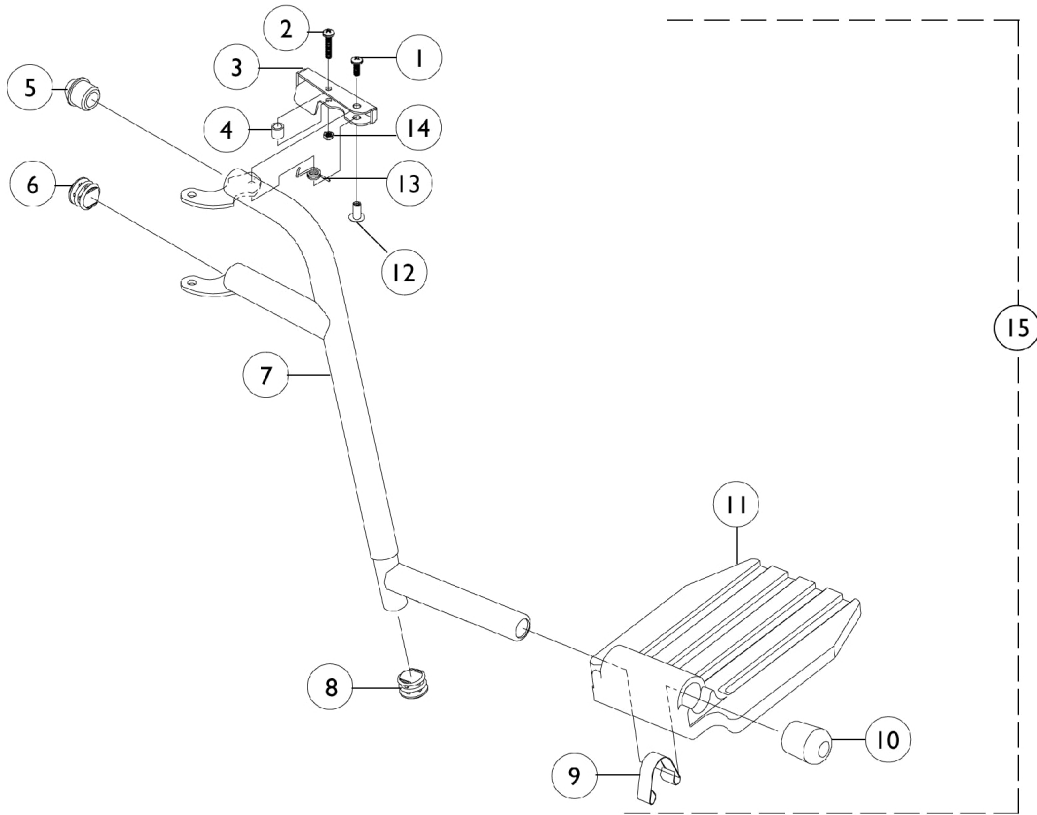


Footrest Support Assembly - CG15



Footrest Support Assembly - CG15

Item Number	Note	Part Number	Description	Quantity Per	
				Package	Assembly
1		40163X002	Screw, Phillips Round Head (#10-32 x 1/2")	1	1
2		40163X008	Screw, Phillips Pan Head (#10-32 x 11/16")	1	1
3		1033305-NLA	NLA - Handle, Release, Chrome - Right	1	1
3		1033306-NLA	NLA - Handle, Release, Chrome - Left	1	1
4		47565X057	Bushing (7/32 x 3/8 x 11/32")	1	1
5		1020719	Anti-Rattle, Black	1	1
6		1027095	Plug Button, Black (7/8")	1	1
7		1080033	Tube, Footrest Support, Adult, Chrome - Right	1	1
7		1080034-NLA	NLA - Tube, Footrest Support, Adult, Chrome - Left	1	1
8		1027097	Plug Button, Black (3/4")	1	1
9		1006981	Spring, Tension	1	1
10		1016346	Cap, End, Tube, Black (7/8")	1	1
11		1015178	Footplate, Composite, Black (6" W x 7-53/64" L)	1	1
12		67005X000	Rivnut (#10-32)	1	1
13		1008935	Spring, Release - Right	1	1
13		1008936	Spring, Release - Left	1	1
14		60279X003	Locknut (#10-32)	1	1
15	A	1080035-NLA	NLA - Footrest Support Assembly, Adult, Chrome - Right	1	1
15	A	1080036-NLA	NLA - Footrest Support Assembly, Adult, Chrome - Left	1	1

NOTE: A - Includes items 1-14.