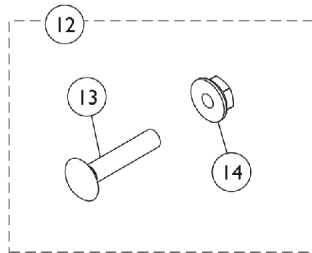
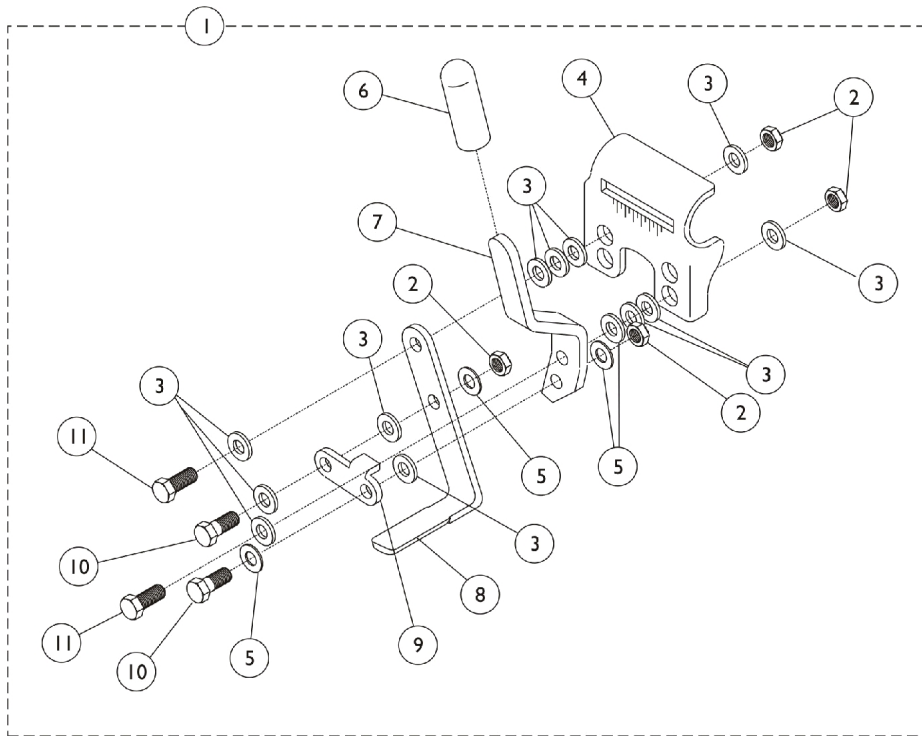


# Link Pivot Style Wheel Locks

CareGuard, Invacare MGI, & Invacare MG - Fixed Frame and Permanent Arm Frame



# Link Pivot Style Wheel Locks

## CareGuard, Invacare MGI, & Invacare MG - Fixed Frame and Permanent Arm Frame

Item Number	Note	Part Number	Description	Quantity Per	
				Package	Assembly
1	A	1075538-NLA	NLA - Wheel Lock Assembly, Black - Right	1	1
1	A	1075539-NLA	NLA - Wheel Lock Assembly, Black - Left	1	1
2		60320X000	Locknut (1/4-28)	1	4
3		1010398	Washer, Nylon (1/4 x 1/2 x 1/16")	1	12
4	D	1075532-NLA	NLA - Bracket, Mounting, Chrome	1	1
5		40157X016-NLA	NLA - Washer (1/4 x 1/2 x 1/16")	1	4
6		47376X024	Tip, Rubber Wheel Lock Handle, Black	1	1
7	D	1016588-NLA	NLA - Handle, Push, Adult, Chrome - Right	1	1
7	D	1016589-NLA	NLA - Handle, Push, Adult, Chrome - Left	1	1
8	D	1015443-NLA	NLA - Shoe	1	1
9	D	1076736-NLA	NLA - Link, Wheel Lock, Chrome - Right	1	1
9	D	1076737-NLA	NLA - Link, Wheel Lock, Chrome - Left	1	1
10		60274X012-NLA	NLA - Screw, Hex Head (1/4-28 x 3/4")	1	2
11		1076731	Screw, Hex Head (1/4-28 x 1")	1	2
12	B	1034165	NLA - Hardware, Attaching Kit (Pair)	1	1
13			Bolt, Carriage (1/4-20 x 1-1/4")	1	2
14			Locknut (1/4-20)	1	2
	C	00078X021	Instruction Sheet, Wheel Lock	1	1
12	B	1017677	Kit, Hardware, Wheel Lock (Pair)	1	1
13			Bolt, Carriage (1/4-20 x 1-1/4")	1	2
14			Nut, Hex Flang (1/4-20)	1	2

NOTE: A - Includes items 2-11.  
 B - Includes items 13-14. 1034165 in Zinc Finish is NLA. Use part number 1017677 in Black finish as a replacement.  
 C - Not Shown.  
 D - Chrome is No Longer Available. See Item #1 part number 1075538 RT or 1075539 LT as a replacement. Color will be Black. Recommended to order in pairs to match.