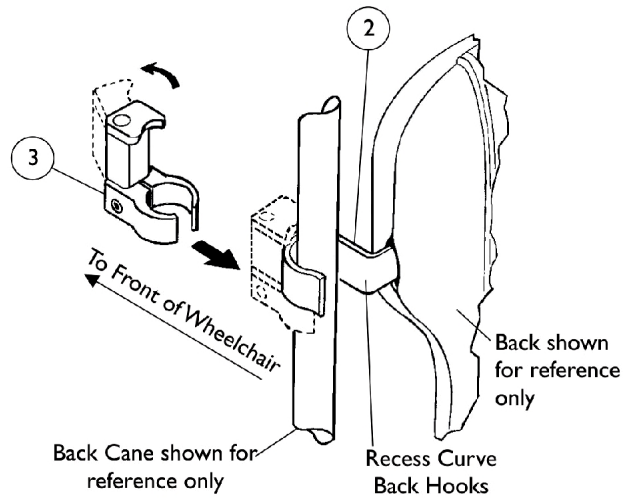
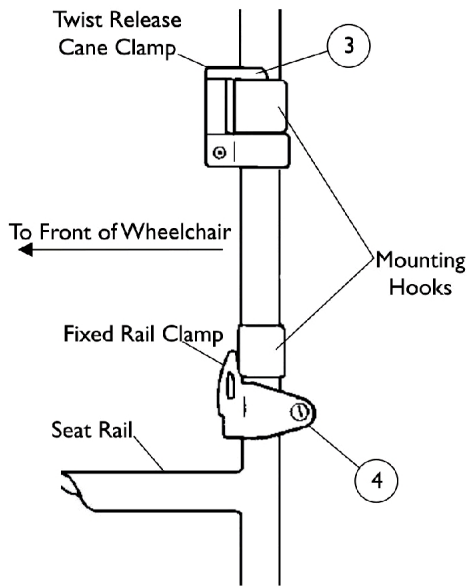
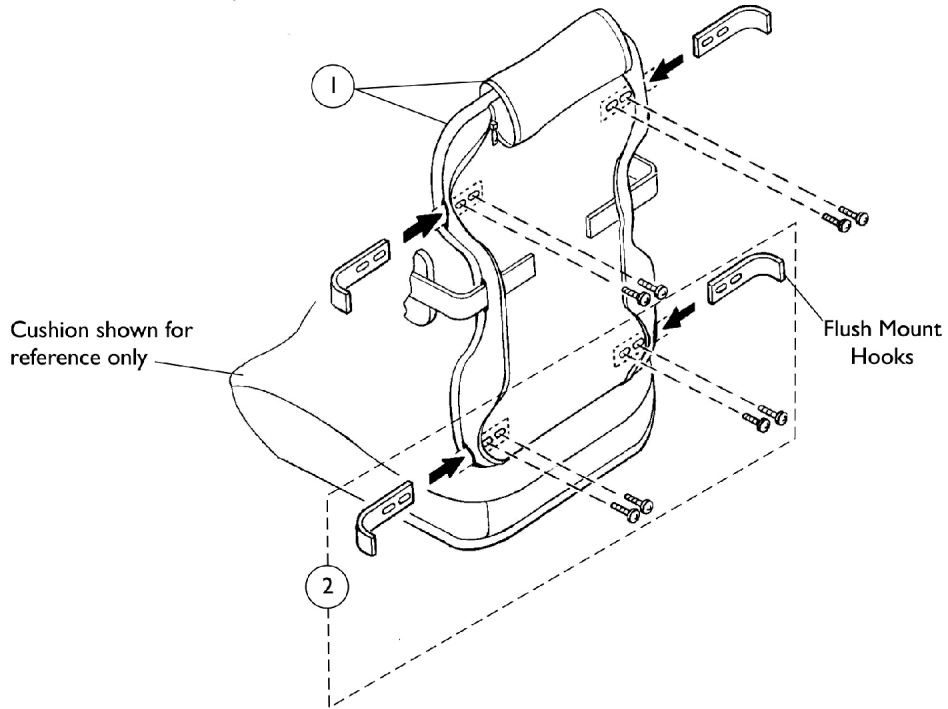


Curved Back and Curved Back Pneumatic Covers, Cane Clamps and Back Mounting Hooks



**Side View Mounting Locations
Twist Clamp and Fixed Clamp**

Curved Back and Curved Back Pneumatic Covers, Cane Clamps and Back Mounting Hooks

Item Number	Note	Part Number	Description	Quantity Per	
				Package	Assembly
1		See Chart	Item #1 Back Covers	1	1
2		See Chart	Item #2 Curved Back and Curved Back Pneumatic Back Hooks	2	2
3		1063331-NLA	NLA - Clamps, Cane, Twist Release (1" Tubing) (Pair)	2	1
3		1063332-NLA	NLA - Clamps, Cane, Twist Release (7/8" Tubing) (Pair)	2	1
4		5500318-NLA	NLA - Clamps, Fixed Rail w/ Instruction Sheet (7/8" and 1" Tubing) (Pair)	2	1

Item #1 Back Covers

Part Numbers	Width x Height
1063805-NLA	10" x 10"
1063799-NLA	12" x 12"
1063800-NLA	14" x 14"
1063801-NLA	16" x 16"
1063802-NLA	16" x 20"
1063803-NLA	18" x 20"
1063804-NLA	20" x 20"

NOTE: Quantity One per Package

Item #2 Curved Back Hooks (Flush Mount and Recess Mount)

(4 ea. Attaching Screws are included with Mounting Hooks)

Width x Tubing Diameter	Flush Mount (Qty 2 ea.)	1" Recess (Qty 2 ea.)	2" Recess (Qty 2 ea.)	3" Recess (Qty 2 ea.)
10" x 7/8" and 1"	1063289-NLA See Note(s) A	N/A	N/A	N/A
12" x 7/8"	N/A	1063296-NLA	1063297-NLA	1063298-NLA
12" x 1"	N/A	1063299-NLA	1063300-NLA	1063301-NLA
14" x 7/8"	N/A	1063074-NLA	1063075-NLA	1063076-NLA
14" x 1"	N/A	1063077-NLA	1063078-NLA	1063079-NLA
16" x 7/8"	N/A	1063308-NLA	1063309-NLA	1063310-NLA
16" x 1"	N/A	1063311-NLA	1063312-NLA	1063313-NLA
18" x 7/8"	N/A	1063314-NLA	1063315-NLA	1063316-NLA
18" x 1"	N/A	1063317-NLA	1063318-NLA	1063319-NLA
20" x 7/8"	N/A	1063320-NLA	1063321-NLA	1063322-NLA
20" x 1"	N/A	1063323-NLA	1063324-NLA	1063325-NLA

NOTE: A - 10" wide back wheelchairs will use only Flush Mount Hooks

NOTE: When ordering hooks for odd size widths, go to the next size up. Example: for a 15" wide back order a 16" wide hook.