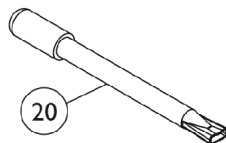
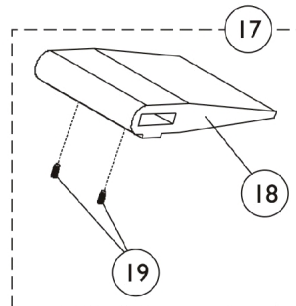
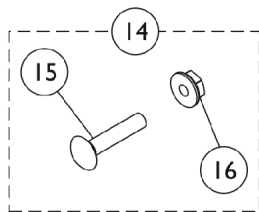
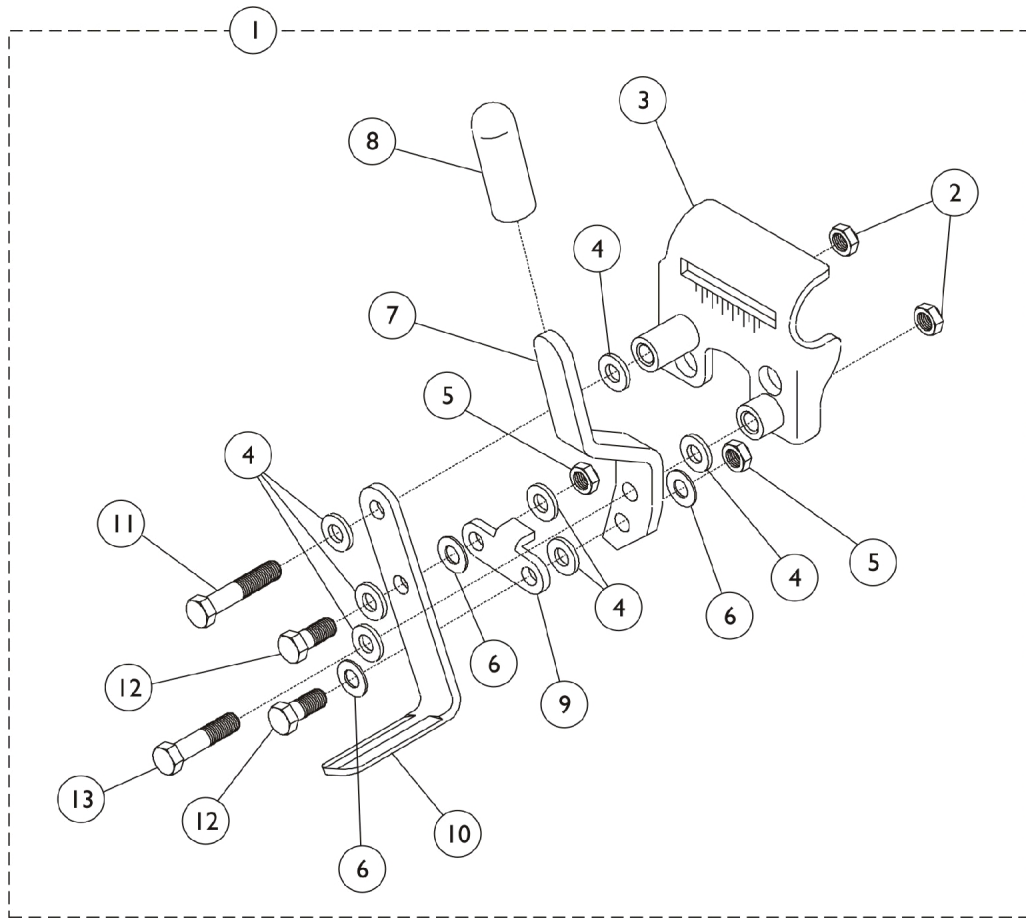


Link-Pivot Style Wheel Locks

Adult and Hemi - Removable Arms, Tracer SX/Titan/ EX/DLX, CareGuard, CG Titan, Invacare MGI, & Invacare MG Removable Arm



Link-Pivot Style Wheel Locks

**Adult and Hemi - Removable Arms, Tracer SX/Titan/ EX/DLX, CareGuard,
CG Titan, Invacare MGI, & Invacare MG Removable Arm**

Item Number	Note	Part Number	Description	Quantity Per	
				Package	Assembly
1	A	1045853	Wheel Lock Assembly, Adult, Push To Lock, Black - Right	1	1
1	A	1045854	Wheel Lock Assembly, Adult, Push To Lock, Black - Left	1	1
1	A,G	1045849-NLA	NLA - Wheel Lock Assembly, Hemi, Pull to Lock, Black - Right	1	1
1	A,G	1045850-NLA	NLA - Wheel Lock Assembly, Hemi, Pull to Lock, Black - Left	1	1
1	A	1101454	Wheel Lock Assembly, Pull to Lock, Black - Right	1	1
1	A	1101455	Wheel Lock Assembly, Pull to Lock, Black - Left	1	1
2		60275X000	Locknut (1/4-20)	1	2
3		1045847-NLA	NLA - Bracket, Mounting, Chrome - Right	1	1
3		1045848-NLA	NLA - Bracket, Mounting, Chrome - Left	1	1
4		1010398	Washer, Nylon (1/4 x 1/2 x 1/16")	1	7
5		60320X000	Locknut (1/4-28)	1	2
6		40157X016-NLA	NLA - Washer (1/4 x 1/2 x 1/16")	1	3
7		1016588-NLA	NLA - Handle, Push, Adult, Chrome - Right	1	1
7		1016589-NLA	NLA - Handle, Push, Adult, Chrome - Left	1	1
7		1016590-NLA	NLA - Handle, Pull, Hemi, Chrome - Right	1	1
7		1016591-NLA	NLA - Handle, Pull, Hemi, Chrome - Left	1	1
8		47376X024	Tip, Rubber Wheel Lock Handle, Black	1	1
9		1016592-NLA	NLA - Link, Chrome	1	1
10		1015443-NLA	NLA - Shoe	1	1
11		16720X004	Screw, Hex Head (1/4-20 x 1-1/2")	1	1
12		60274X012-NLA	NLA - Screw, Hex Head (1/4-28 x 3/4")	1	2
13		1007017-NLA	NLA - Screw, Hex Head (1/4-20 x 1-1/4")	1	1
14	B	1034165	NLA - Hardware, Attaching Kit (Pair)	1	1
15			Bolt, Carriage (1/4-20 x 1-1/4")	1	2
16			Locknut (1/4-20)	1	2
14	B	1017677	Kit, Hardware, Wheel Lock (Pair)	1	1
15			Bolt, Carriage (1/4-20 x 1-1/4")	1	2
16			Nut, Hex Flang (1/4-20)	1	2
17	C,D	1037421	Kit, Wheel Lock Shoe Spacer, 20" Rear Wheels (Pair)	1	1
18			Spacer, Wheel Lock Shoe (2-63/64")	1	2
19			Screw, Set Socket Cup Point (#8-32 x 3/16")	1	4
17	C,D	1037422	Kit, Wheel Lock Shoe Spacer, 22" Rear Wheels (Pair)	1	1
18			Spacer, Wheel Lock Shoe (1-45/64")	1	2
19			Screw, Set Socket Cup Point (#8-32 x 3/16")	1	4
20	F	1058900	Wheel Lock Extension Handle Assembly, Black (8")	1	1
	E	00078X021	Instruction Sheet, Wheel Lock	1	1

Link-Pivot Style Wheel Locks

Adult and Hemi - Removable Arms, Tracer SX/Titan/ EX/DLX, CareGuard, CG Titan, Invacare MGI, & Invacare MG Removable Arm

NOTE: A - Includes 2-13.
B - Includes 15 and 16. 1034165 in Zinc Finish is NLA. Use part number 1017677 in Black finish as a replacement.
C - These parts are not included with the wheel lock.
D - Includes items 18 and 19.
E - Not shown.
F - Includes: 1 each Extension Handle and Rubber Tip. Chrome is No Longer Available.
G - NLA. See part numbers 1101454 and 1101455 as replacements.