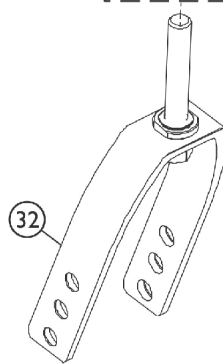
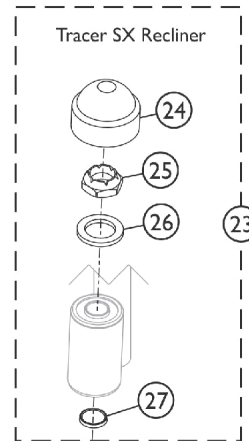
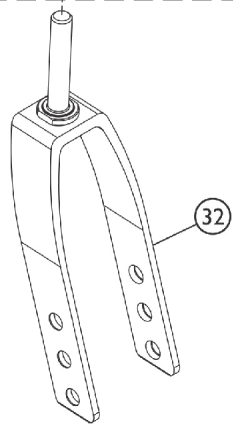
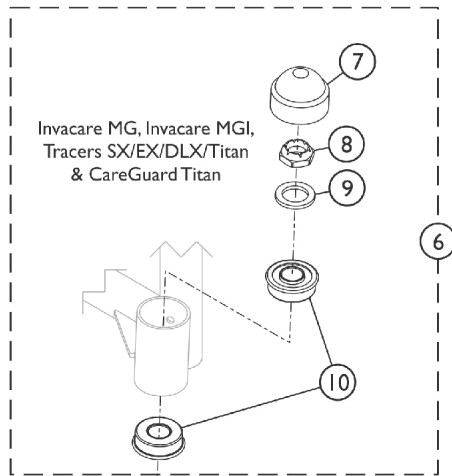
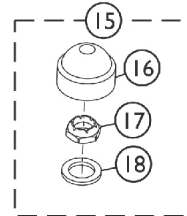
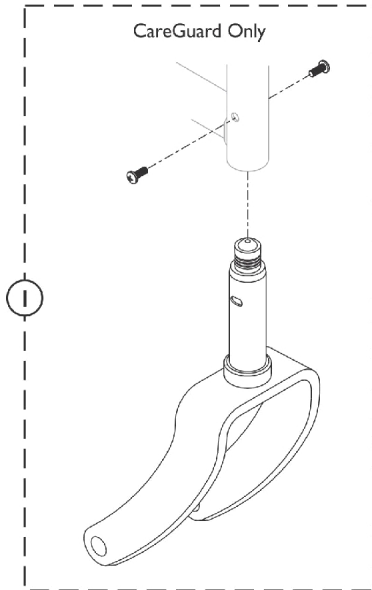


Forks and Hardware



Forks and Hardware

Item Number	Note	Part Number	Description	Quantity Per	
				Package	Assembly
1	A	1080098-NLA	NLA - Fork Assembly	1	1
6	B	1074612	Kit, Fork Hardware (Pair)	1	1
7			Cap, Head Tube, Black	2	1
8			Locknut (1/2-20)	2	1
9			Washer, Nylon (5/8 x 1 x 3/32")	2	1
10			Bearing, Flange (1/2")	4	1
15		1033202	Kit, Fork Hardware (Pair)	1	1
16			Cap, Head Tube, Black	1	2
17			Locknut (1/2-20)	1	2
18			Washer, Nylon (5/8 x 1 x 3/32")	1	2
23		1089104	Kit, Fork Hardware (Pair)	1	1
24			Cap, Head Tube, Black	2	1
25			Locknut (1/2-20)	2	1
26			Washer, Nylon (5/8 x 1 x 3/32")	2	1
27			Washer, Steel (17/32 x 3/4 x 1/32")	2	1
10		1001801	Bearing, Flange (1/2")	2	1
32	E	1037420	Fork and Stem Assembly, Black (6 x 1" Caster)	1	1
32	F	1070817-NLA	NLA - Fork and Stem Assembly (8")	1	1
32	G	1075529	Fork and Stem, Steel, Black (8" Caster)	1	1
32	H	1089103	Fork and Stem, Aluminum, Black (8" Caster)	1	1
	I	1131189	Package, Head Tube Cap	10	1
NOTE: A - Used on CareGuard. B - Includes items 7-10. E - Used on Tracer DLX, EX, SX and Invacare MGI. F - Used on Tracer DLX, SX and Titan. G - Used on Invacare MG, MGI and Tracer EX. H - Used on Tracer SX Recliner. I - Not Shown.					