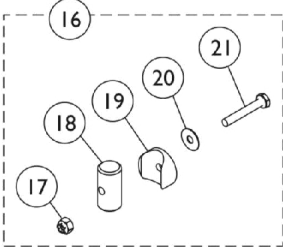
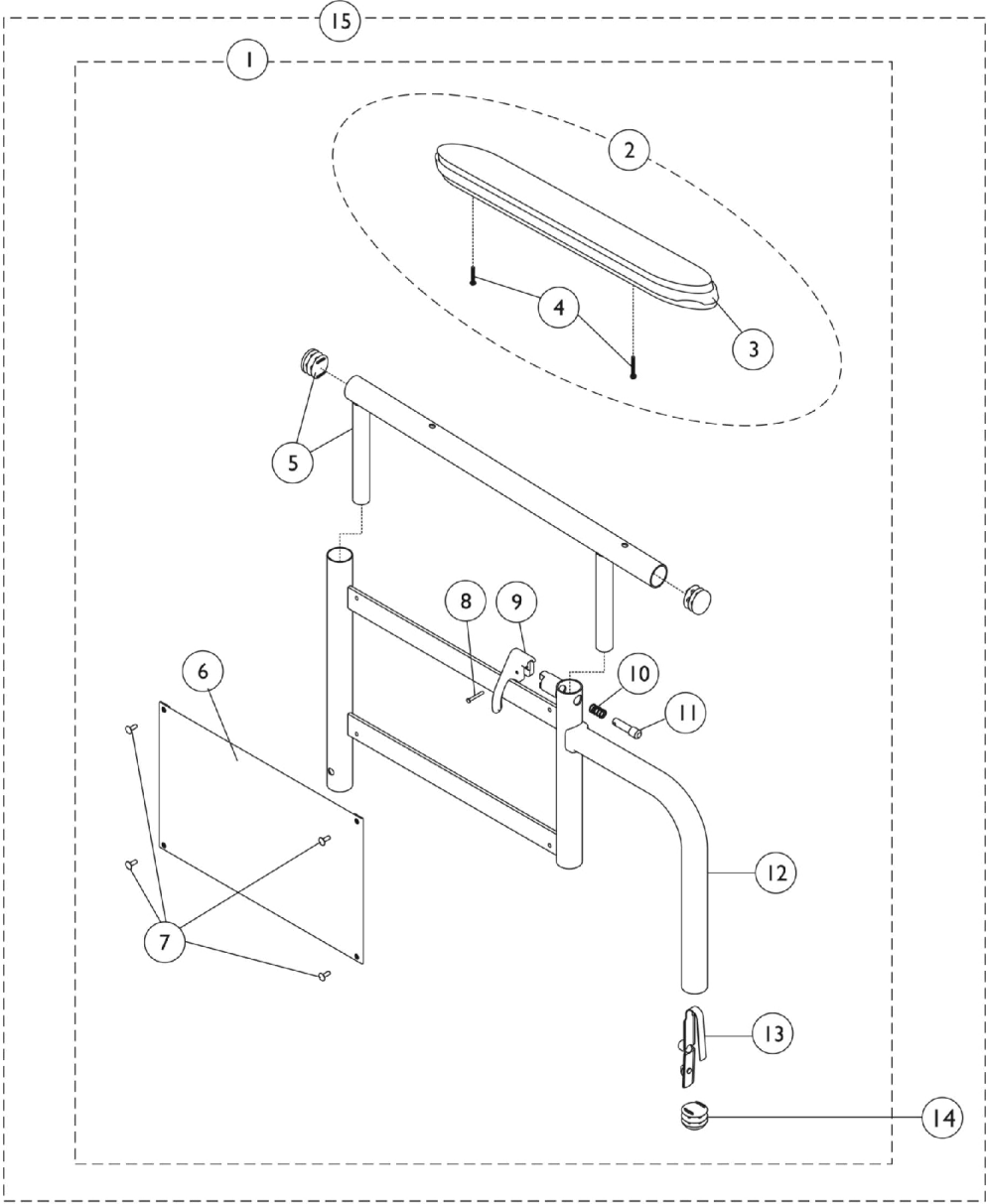


# Arms, Conventional & Flip Back - Adjustable Height

Model #s 19, 19FB, 29, 29FB



## Arms, Conventional & Flip Back - Adjustable Height Model #s 19, 19FB, 29, 29FB

Item Number	Note	Part Number	Description	Quantity Per	
				Package	Assembly
1	A,F	8881133410-NL A	NLA - Kit, Armrest, Full Length, Chrome - Right (19 Style)	1	2
3			NLA - Pad, Arm, Full Length w/ Law Label	1	1
4			Package, Screw Phillips Pan Head (#10-32 x 1-1/8")	1	2
5			NLA - Tube, Arm, Upper with Plug Buttons, Chrome, Full Length	1	1
6			Guard, Clothing	1	1
7			NLA - Rivet	1	4
8			Rivet, Tubular	1	1
9			Handle, Lock, Black - Right	1	1
10			Spring, Arm Lock	1	1
11			Pin, Locking	1	1
12			NLA - Arm Base Assembly, Chrome - Right/Left	1	1
13			Lock, Spring and Button	1	1
1	A,F	8881133411-NL A	NLA - Kit, Armrest, Full Length, Chrome - Left (19 Style)	1	1
3			NLA - Pad, Arm, Full Length w/ Law Label	1	1
4			Package, Screw Phillips Pan Head (#10-32 x 1-1/8")	1	1
5			NLA - Tube, Arm, Upper with Plug Buttons, Chrome, Full Length	1	1
6			Guard, Clothing	1	1
7			NLA - Rivet	1	4
8			Rivet, Tubular	1	1
9			Handle, Lock, Black - Left	1	1
10			Spring, Arm Lock	1	1
11			Pin, Locking	1	1
12			NLA - Arm Base Assembly, Chrome - Right/Left	1	1
13			Lock, Spring and Button	1	1
1	A,F	8881133412-NL A	NLA - Kit, Armrest, Desk Length, Chrome - Right (29 Style)	1	1
3			NLA - Arm Pad, Desk Length w/ Law Label	1	1
4			Package, Screw Phillips Pan Head (#10-32 x 1-1/8")	1	2
5			Tube, Arm, Upper with Plug Buttons, Black, Desk Length	1	1
6			Guard, Clothing	1	1
7			NLA - Rivet	1	4
8			Rivet, Tubular	1	1
9			Handle, Lock, Black - Right	1	1
10			Spring, Arm Lock	1	1
11			Pin, Locking	1	1
12			NLA - Arm Base Assembly, Chrome - Right/Left	1	1
13			Lock, Spring and Button	1	1
1	A,F	8881133413-NL A	NLA - Kit, Armrest, Desk Length, Chrome - Left (29 Style)	1	1
3			NLA - Arm Pad, Desk Length w/ Law Label	1	1
4			Package, Screw Phillips Pan Head (#10-32 x 1-1/8")	1	2

## Arms, Conventional & Flip Back - Adjustable Height Model #s 19, 19FB, 29, 29FB

Item Number	Note	Part Number	Description	Quantity Per	
				Package	Assembly
5			Tube, Arm, Upper with Plug Buttons, Black, Desk Length	1	1
6			Guard, Clothing	1	1
7			NLA - Rivet	1	4
8			Rivet, Tubular	1	1
9			Handle, Lock, Black - Left	1	1
10			Spring, Arm Lock	1	1
11			Pin, Locking	1	1
12			NLA - Arm Base Assembly, Chrome - Right/Left	1	1
13			Lock, Spring and Button	1	1
15	B,D,F	8881133414-NL A	NLA - Kit, Armrest, Full Length, Chrome - Right (19FB Style)	1	1
3			NLA - Pad, Arm, Full Length w/ Law Label	1	1
4			Package, Screw Phillips Pan Head (#10-32 x 1-1/8")	1	2
5			NLA - Tube, Arm, Upper with Plug Buttons, Chrome, Full Length	1	1
6			Guard, Clothing	1	1
7			NLA - Rivet	1	4
8			Rivet, Tubular	1	1
9			Handle, Lock, Black - Right	1	1
10			Spring, Arm Lock	1	1
11			Pin, Locking	1	1
12			Base, Arm, Black - Right/Left	1	1
13			Lock, Spring and Button	1	1
14			Plug Button, Black (5/8")	1	1
15	B,D,F	8881133415-NL A	NLA - Kit, Armrest, Full Length, Chrome - Left (19FB Style)	1	1
3			NLA - Pad, Arm, Full Length w/ Law Label	1	1
4			Package, Screw Phillips Pan Head (#10-32 x 1-1/8")	1	2
5			NLA - Tube, Arm, Upper with Plug Buttons, Chrome, Full Length	1	1
6			Guard, Clothing	1	1
7			NLA - Rivet	1	4
8			Rivet, Tubular	1	1
9			Handle, Lock, Black - Left	1	1
10			Spring, Arm Lock	1	1
11			Pin, Locking	1	1
12			Base, Arm, Black - Right/Left	1	1
13			Lock, Spring and Button	1	1
14			Plug Button, Black (5/8")	1	1
15	B,D,F	8881133416-NL A	NLA - Kit, Armrest, Desk Length, Chrome - Right (29FB Style)	1	1
3			NLA - Arm Pad, Desk Length w/ Law Label	1	1
4			Package, Screw Phillips Pan Head (#10-32 x 1-1/8")	1	1
5			Tube, Arm, Upper with Plug Buttons, Black, Desk Length	1	2
6			Guard, Clothing	1	1

## Arms, Conventional & Flip Back - Adjustable Height Model #s 19, 19FB, 29, 29FB

Item Number	Note	Part Number	Description	Quantity Per	
				Package	Assembly
7			NLA - Rivet	1	4
8			Rivet, Tubular	1	1
9			Handle, Lock, Black - Right	1	1
10			Spring, Arm Lock	1	1
11			Pin, Locking	1	1
12			Base, Arm, Black - Right/Left	1	1
13			Lock, Spring and Button	1	1
14			Plug Button, Black (5/8")	1	1
15	B,D	8881133417	Kit, Armrest, Desk Length, Chrome - Left (29FB Style)	1	1
3			NLA - Arm Pad, Desk Length w/ Law Label	1	1
4			Package, Screw Phillips Pan Head (#10-32 x 1-1/8")	1	2
5			Tube, Arm, Upper with Plug Buttons, Black, Desk Length	1	1
6			Guard, Clothing	1	1
7			NLA - Rivet	1	4
8			Rivet, Tubular	1	1
9			Handle, Lock, Black - Left	1	1
10			Spring, Arm Lock	1	1
11			Pin, Locking	1	1
12			Base, Arm, Black - Right/Left	1	1
13			Lock, Spring and Button	1	1
14			Plug Button, Black (5/8")	1	1
2	E,F	8881127509	Kit, Arm Pad w/Screws - Full Length	1	1
3			NLA - Pad, Arm, Full Length w/ Law Label	1	1
4			Package, Screw Phillips Pan Head (#10-32 x 1-1/8")	1	2
2	E,F	8881127510	Kit, Arm Pad w/Screws - Desk Length	1	1
3			NLA - Arm Pad, Desk Length w/ Law Label	1	1
4			Package, Screw Phillips Pan Head (#10-32 x 1-1/8")	1	2
16	C	1093396-NLA	NLA - Hardware, Arm, Flip-Back - Right	2	1
17			Locknut (1/4-20)	1	1
18			NLA - Tube, Insert	1	1
19			Spacer, Coved - Right	1	1
20			Washer, Nylon (3/4 x 1/4 x 1/32")	1	1
21			Screw, Hex Head (1/4-20 x 1-5/8")	1	1
16	C	1093397-NLA	NLA - Hardware, Arm, Flip-Back - Left	2	1
17			Locknut (1/4-20)	1	1
18			NLA - Tube, Insert	1	1
19			Spacer, Coved - Left	1	1
20			Washer, Nylon (3/4 x 1/4 x 1/32")	1	1
21			Screw, Hex Head (1/4-20 x 1-5/8")	1	1
	G	7100053	Arm Lock Assembly, Black - Right	1	1
			Handle, Lock, Black - Right	1	1
			Rivet, Tubular	1	2
			Pin, Locking	1	2
			Spring, Arm Lock	1	2

## Arms, Conventional & Flip Back - Adjustable Height Model #s 19, 19FB, 29, 29FB

Item Number	Note	Part Number	Description	Quantity Per	
				Package	Assembly
	G	7100054	Arm Lock Assembly, Black - Left	1	1
			Handle, Lock, Black - Left	1	1
			Rivet, Tubular	1	2
			Pin, Locking	1	2
			Spring, Arm Lock	1	2
NOTE: A - Includes items 2-13. B - Includes items 2-14. C - Includes items 17-21. D - For use on Tracer SX Flip Back arm style only. E - Includes items 3 and 4. F - Specify color when ordering. See category titled, "Upholstery Colors." G - Not shown. Includes items 8-11.					