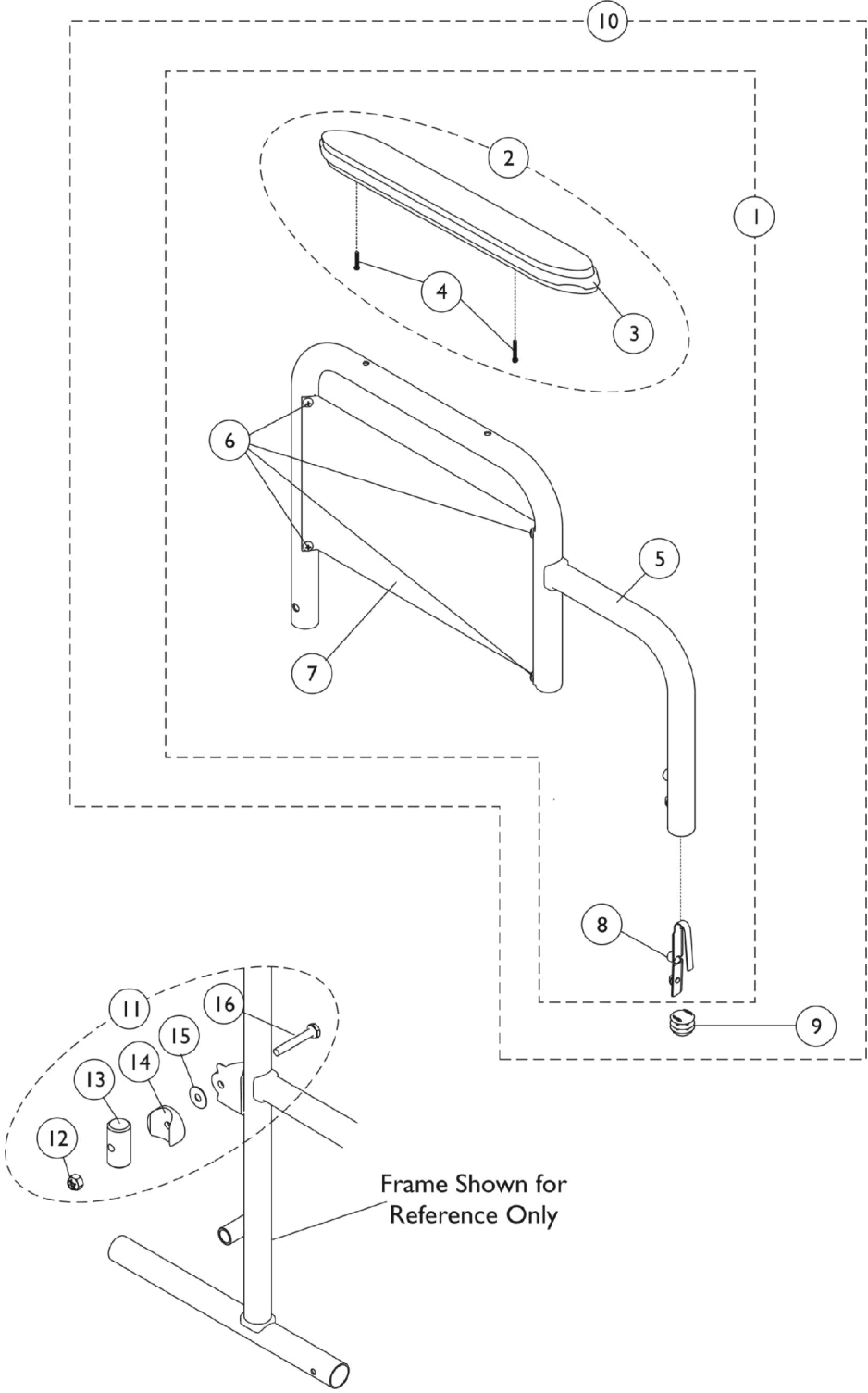


Arms, Conventional & Flip-Back - Fixed Height

Model #s 08, 18, 18FB, 28 & 28FB



Arms, Conventional & Flip-Back - Fixed Height Model #s 08, 18, 18FB, 28 & 28FB

Item Number	Note	Part Number	Description	Quantity Per	
				Package	Assembly
1	A	See Chart	Desk Length Arm Kits, Conventional - Fixed Height	1	1
1	A	See Chart	Full Length Arm Kits, Conventional - Fixed Height	1	1
2	B,G	8881127510	Kit, Arm Pad w/Screws - Desk Length	1	1
3			NLA - Arm Pad, Desk Length w/ Law Label	1	1
4			Package, Screw Phillips Pan Head (#10-32 x 1-1/8")	1	2
2	B,G	8881127509	Kit, Arm Pad w/Screws - Full Length	1	1
3			NLA - Pad, Arm, Full Length w/ Law Label	1	1
4			Package, Screw Phillips Pan Head (#10-32 x 1-1/8")	1	2
3	F	1099973-NLA	NLA - Pad, Arm, Full Length	1	1
3	F	1099975-NLA	NLA - Pad, Arm, Desk Length	1	1
4		1111714	Package, Screw Phillips Pan Head (#10-32 x 1-1/8")	1	2
6		40120X001	Screw, Phillips Pan Head (#8-32 x 3/8")	1	4
7	C	1042967	Guard, Clothing, Desk Length, Stainless Steel - Right/ Left	1	1
7	C	1042966	Guard, Clothing, Full Length, Stainless Steel - Right/ Left	1	1
7	D	1078414	Guard, Clothing, Desk Length, Black	1	1
7	D	1078417	Guard, Clothing, Full Length, Black	1	1
8		40188X006	Lock, Spring and Button	1	1
9		1067734	Plug Button, Black (5/8")	1	1
10	A	See Chart	Desk Length Arm Kits, Flip-Back - Fixed Height	1	1
10	A	See Chart	Full Length Arm Kits, Flip-Back - Fixed Height	1	1
11	E	1093241	Kit, Hardware, Arm, Flip-Back - Right	1	1
12			Locknut (1/4-20)	1	1
13			Tube, Insert	1	1
14			Spacer, Coved - Right	1	1
15			Washer, Nylon (3/4 x 1/4 x 1/32")	1	1
16			Screw, Hex Head (1/4-20 x 1-5/8")	1	1
11	E	1093242	Kit, Hardware, Arm, Flip-Back - Left	1	1
12			Locknut (1/4-20)	1	1
13			Tube, Insert	1	1
14			Spacer, Coved - Left	1	1
15			Washer, Nylon (3/4 x 1/4 x 1/32")	1	1
16			Screw, Hex Head (1/4-20 x 1-5/8")	1	1

NOTE: A - Removable assemblies include items 2-9. Non-removable assemblies include items 2-8.
 B - Includes items 3 and 4.
 C - For use on Tracer SX, Titan, SX Recliner, DLX, EX, MGI with stainless steel clothing guard and CareGuard Titan.
 D - For use on MGI with black clothing guard, MG, CareGuard.
 E - Includes items 12-16.
 F - For use on CareGuard models only.
 G - Specify color when ordering. See category titled, "Upholstery Colors."

Desk Length Arm Kits - Conventional

Chair	Conventional - Right	Conventional - Left
Tracer SX	8881133398 See Note(s) B, C	8881133399 See Note(s) B, C

Arms, Conventional & Flip-Back - Fixed Height
Model #s 08, 18, 18FB, 28 & 28FB
Desk Length Arm Kits - Conventional

Chair	Conventional - Right	Conventional - Left
Tracer Titan	8881133398 See Note(s) B, C	8881133399 See Note(s) B, C
Tracer SX Recliner	8881133398 See Note(s) C, B	8881133399 See Note(s) C, B
Tracer DLX or Tracer EX	8881133398 See Note(s) C	8881133399 See Note(s) C, B
Invacare MGI with Stainless Steel Clothing Guard	8881133398 See Note(s) C	8881133399 See Note(s) C, B
Invacare MGI with Black Painted Clothing Guard	8881133402 See Note(s) B, C	8881133403 See Note(s) C, B
Invacare MG	8881133402 See Note(s) C, B	8881133403 See Note(s) C, B
CareGuard	8881133402 See Note(s) B, C	8881133403 See Note(s) B, C
CareGuard Titan (Chrome)	1065746 See Note(s) A	1065747 See Note(s) A
NOTE: A - Does not include arm pad. Includes items 5-8. B - Includes arm pad. Removable assemblies include items 2-9. Non-removable assemblies include items 2-8. C - Specify color when ordering. See category titled, "Upholstery Colors."		

Arms, Conventional & Flip-Back - Fixed Height
Model #s 08, 18, 18FB, 28 & 28FB
Desk Length Arm Kits - Flip Back

Chair	Flip Back Right	Flip Back Left
Tracer SX	8881133400 See Note(s) A, B	8881133401 See Note(s) B, A
Tracer Titan	N/A	N/A
Tracer SX Recliner	N/A	N/A
Tracer DLX or Tracer EX	N/A	N/A
Invacare MGI with Stainless Steel Clothing Guard	N/A	N/A
Invacare MGI with Black Painted Clothing Guard	N/A	N/A
Invacare MG	N/A	N/A
CareGuard	N/A	N/A
CareGuard Titan (Chrome)	N/A	N/A
NOTE: A - Specify color when ordering. See category titled, "Upholstery Colors." B - Includes arm pad. Removable assemblies include items 2-9. Non-removable assemblies include items 2-8.		

Arms, Conventional & Flip-Back - Fixed Height
Model #s 08, 18, 18FB, 28 & 28FB
Full Length Arm Kits - Conventional

Chair	Conventional - Right	Conventional - Left
Tracer SX	8881133404 See Note(s) B, C	8881133405 See Note(s) B, C
Tracer Titan	8881133404 See Note(s) B, C	8881133405 See Note(s) C, B
Tracer SX Recliner	8881133404 See Note(s) C, B	8881133405 See Note(s) C, B
Tracer DLX or Tracer EX	8881133404 See Note(s) B, C	8881133405 See Note(s) B, C
Invacare MGI with Stainless Steel Clothing Guard	8881133404 See Note(s) C, B	8881133405 See Note(s) C, B
Invacare MGI with Black Painted Clothing Guard	8881133406 See Note(s) B, C	8881133407 See Note(s) B, C
Invacare MG	8881133406 See Note(s) C, B	8881133407 See Note(s) B, C
CareGuard	8881133406 See Note(s) B, C	8881133407 See Note(s) C, B
CareGuard Titan (Chrome)	1065756 See Note(s) A	1065757 See Note(s) A
NOTE: A - Does not include arm pad. Includes items 5-8. B - Specify color when ordering. See category titled, "Upholstery Colors." C - Includes arm pad. Removable assemblies include items 2-9. Non-removable assemblies include items 2-8.		

Arms, Conventional & Flip-Back - Fixed Height
Model #s 08, 18, 18FB, 28 & 28FB
Full Length Arm Kits - Flip-Back

Chair	Flip-Back - Right	Flip-Back - Left
Tracer SX	1093403 See Note(s) B, A	1093404 See Note(s) A, B
Tracer Titan	N/A	N/A
Tracer SX Recliner	N/A	N/A
Tracer DLX or Tracer EX	N/A	N/A
Invacare MGI with Stainless Steel Clothing Guard	N/A	N/A
Invacare MGI with Black Painted Clothing Guard	N/A	N/A
Invacare MG	N/A	N/A
CareGuard	N/A	N/A
CareGuard Titan (Chrome)	N/A	N/A

NOTE: A - Does not include arm pad. Includes items 5-9.
B - Specify color when ordering. See category titled, "Upholstery Colors."