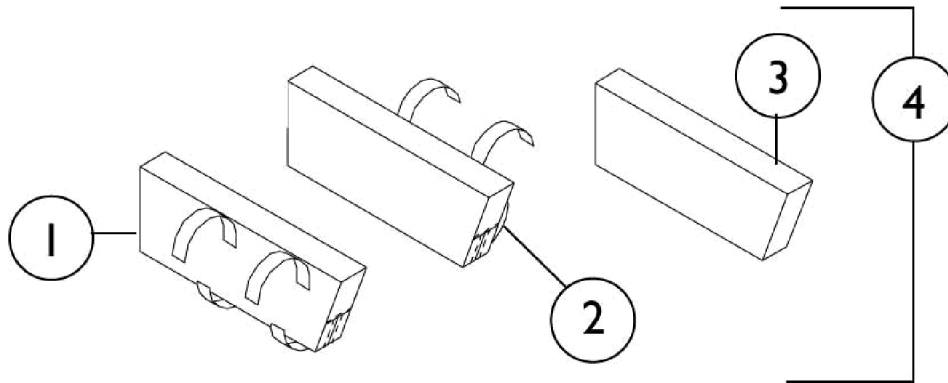


Side Bolsters

THE PRODUCTION OF THE HTR IS CURRENTLY SUSPENDED AND SOME SERVICE PARTS MAY NOT BE AVAILABLE TO ORDER.



Item Number	Note	Part Number	Description	Quantity Per	
				Package	Assembly
1		45016525-NLA	Cover, Side Bolster, Mauve - Left	1	1
1		45016526-NLA	Cover, Side Bolster, Grotto - Left	1	1
1		45016527-NLA	Cover, Side Bolster, Blueberry - Left	1	1
2		45016625-NLA	Cover, Side Bolster, Mauve - Right	1	1
2		45016626-NLA	Cover, Side Bolster, Grotto - Right	1	1
2		45016627-NLA	Cover, Side Bolster, Blueberry - Right	1	1
3		HRA10B-NLA	NLA - Foam (2")	1	2
4		45014825-NLA	Side Bolster Assembly, Mauve	2	1
4		45014826-NLA	Side Bolster Assembly, Grotto	2	1
4		45014827	Side Bolster Assembly, Blueberry	2	1