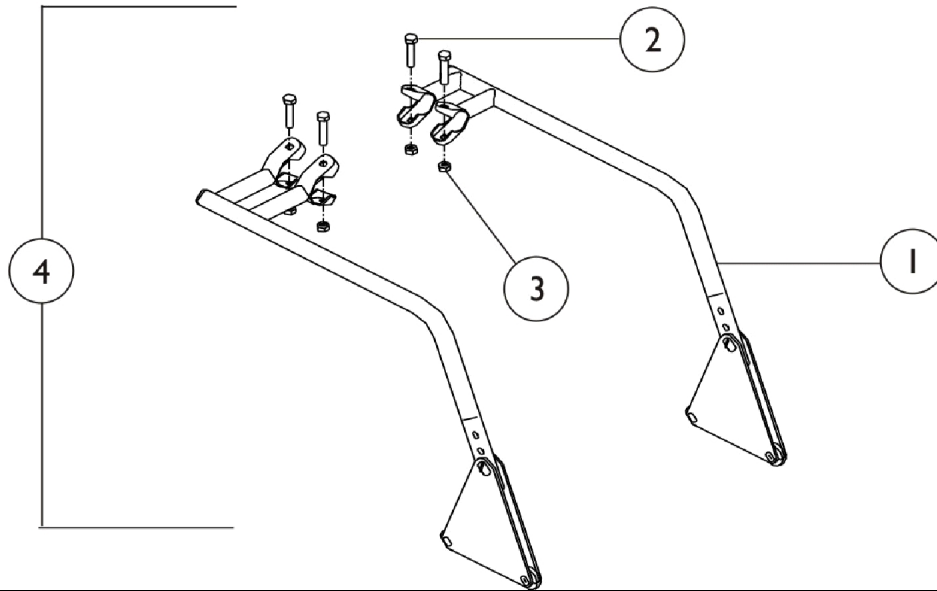


Front Anti-Tippers

THE PRODUCTION OF THE HTR IS CURRENTLY SUSPENDED AND SOME SERVICE PARTS MAY NOT BE AVAILABLE TO ORDER.



Item Number	Note	Part Number	Description	Quantity Per	
				Package	Assembly
1		460073	Kit, Anti-Tipper Assembly, Front	1	1
2			Anti-Tipper, Front	1	2
3			NLA - Screw, Hex Head (5/16-24 x 1-3/4")	1	4
4			Locknut (5/16-24)	1	4
	A	1027423	Instruction Sheet, Front - Anti-Tipper	1	1

NOTE: A - Not Shown.