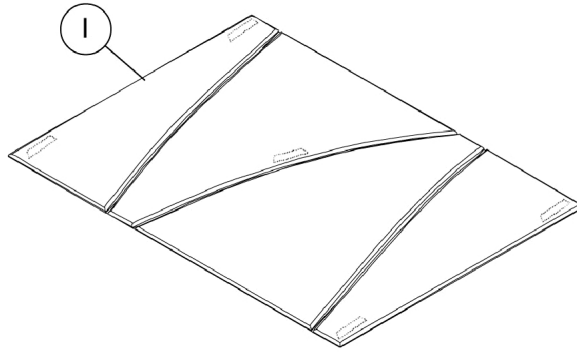


# Personal Seat Fluid Bag



Item Number	Note	Part Number	Description	Quantity Per	
				Package	Assembly
1		1079648-NLA	NLA - Fluid Bag Assembly	1	1