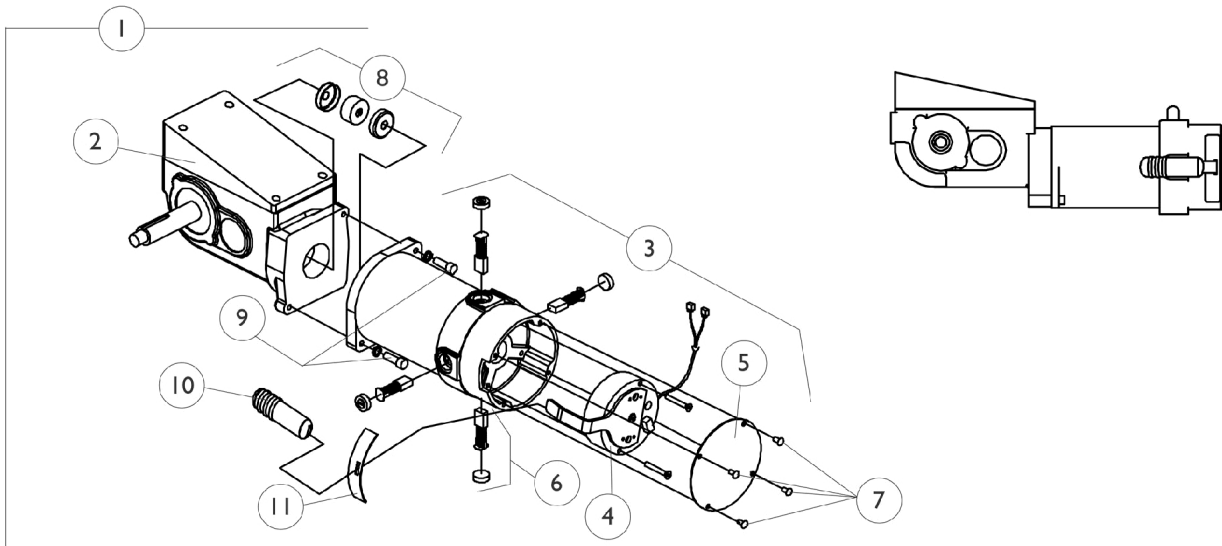


# 4-Pole Motors and Gearboxes

## Storm Arrow, Arrow H.D., ALL Torques and Ranger X

**NOTE:** The dates listed in the chart show that the 4-pole motor/gearbox assemblies were made available to Storm Series Models at different introductory dates.





## 4-Pole Motors and Gearboxes

### Storm Arrow, Arrow H.D., ALL Torques and Ranger X

**NOTE: The dates listed in the chart show that the 4-pole motor/gearbox assemblies were made available to Storm Series Models at different introductory dates.**

Item Number	Description	After 8/31/98 Storm Arrow and Torque RWD-R MWD-L	After 8/31/98 Storm Arrow and Torque RWD-L MWD-R	After 10/22/98 Storm Arrow Heavy Duty and ALL Torque SP RWD-R MWD-L	After 10/22/98 Storm Arrow Heavy Duty and ALL Torque SP RWD-L MWD-R	After 9/14/98 Storm Ranger X RWD-R MWD-L	After 9/14/98 Storm Ranger X RWD-L MWD-R
8.	NLA - Coupling w/ Cup (1" Diameter)	5165204-NLA  See Note(s) A	5165204-NLA  See Note(s) A	5165204-NLA  See Note(s) A	5165204-NLA  See Note(s) A	5165204-NLA  See Note(s) A	5165204-NLA  See Note(s) A
8.	NLA - Coupling w/ Cup (1-5/16" Diameter)	50000X007-N LA  See Note(s) B	50000X007-N LA  See Note(s) B	50000X007-N LA  See Note(s) B	50000X007-N LA  See Note(s) B	50000X007-N LA  See Note(s) B	50000X007-N LA  See Note(s) B
9.	Screw, SHC (1/4-20 x 1-1/8")	1043594  See Note(s) C	1043594  See Note(s) C	1043594  See Note(s) C	1043594  See Note(s) C	1043594  See Note(s) C	1043594  See Note(s) C
9.	Screw, SHC (M6 x 1 x 20MM)	1108978  See Note(s) C	1108978  See Note(s) C	1108978  See Note(s) C	1108978  See Note(s) C	1108978  See Note(s) C	1108978  See Note(s) C
10.	Plastic Tip Before 7/11/01	1082984-NLA	1082984-NLA	1082984-NLA	1082984-NLA	1082984-NLA	1082984-NLA
10.	Plastic Tip After 7/10/01	1101725	1101725	1101725	1101725	1101725	1101725
11.	Slotted Plate	1082985-NLA	1082985-NLA	1082985-NLA	1082985-NLA	1082985-NLA	1082985-NLA

NOTE: A - Coupling with Cup for chairs manufactured before 11/12/01 - Use part # 50000X007 as a direct replacement part.  
 B - After 11/11/01 Coupling with Cup was resized from approximately 1" to 1-5/16" diameter and can be used as a direct replacement for part number 5165204  
 C - When a new gearbox or mounting screws are ordered, (2 ea.) metric and (2 ea.) non-metric screws (item 9) must be ordered. Invacare Corp. utilizes alternate suppliers for this part number.  
 D - As of 4/27/07 the 2nd and 3rd Generation Storm Series models will share this same Motor/Gearbox Assembly service part number. For 2nd Generation Storm Series, disregard the 3200 RPM and Drive/Push Decals packaged in box.  
 E - 2nd and 3rd Generation Storm Series models share the same Motor Assembly service part number. For 2nd Generation Storm Series, disregard the 3200 RPM and Drive/Push Decals packaged in box.  
 F - As of May 2008, the Metal Motor End Cap will be replaced with a Composite Motor End Cap. The change does not affect form, fit, function or aesthetics.  
 G - Kit includes (4) Brushes, (4) Brush Caps and Instruction Sheet.  
 H - Use existing screws when installing the Brake Repair Kit. The Motor Brake Mounting Screws are not saleable.  
 I - Part is no longer available as a service part. See part number 1085951 as a replacement.  
 J - Part is no longer available as a service part. See part number 1085952 as a replacement.