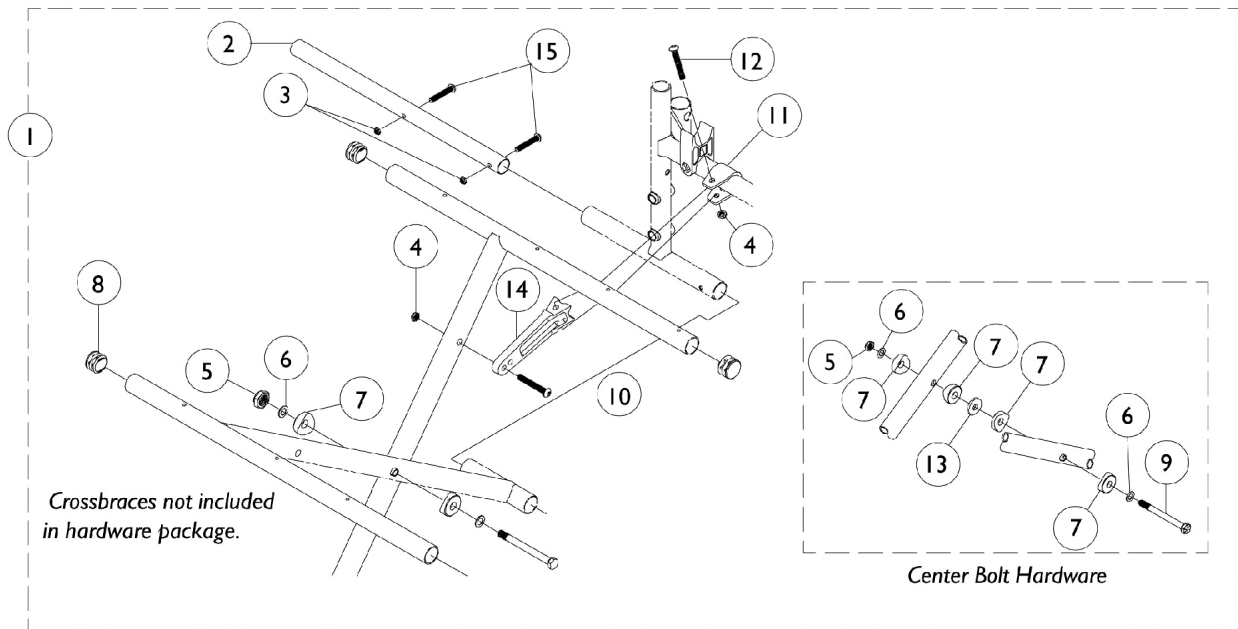


# Crossbraces and Hardware

Tracer DLX (After 3/13/00), Tracer SX and SX Recliner, Tracer and CareGuard Titan

## Crossbrace Hardware



## Crossbraces and Hardware

### Tracer DLX (After 3/13/00), Tracer SX and SX Recliner, Tracer and CareGuard Titan Crossbrace Hardware

Item Number	Note	Part Number	Description	Quantity Per	
				Package	Assembly
1	A,B,C,G	1073465-NLA	NLA - Package, Hardware	2	1
1	B,C,H	1070067-NLA	NLA - Package, Hardware	2	1
1	B,C,I	1073466-NLA	NLA - Hardware, Crossbrace	2	1
1	B,D,G	1091735	Package, Hardware	2	1
1	B,D,H	1091736	Package, Hardware	2	1
1	B,D,I	1091737	Package, Hardware	2	1
2	C	1082544	Tube, Insert	1	2
2	D	1078405	Tube, Insert	1	2
3		60279X003	Locknut (#10-32)	1	4
4		60275X000	Locknut (1/4-20)	1	4
5		1107321	Nut, Low Cap (5/16"-24)	1	1
6		1016652	Washer (5/16 x 9/16 x 1/32")	1	2
7		1016263	Spacer, Coved (3/4 x 1 x 1/2")	1	4
8		1029501	Plug Button, Black (1")	1	4
9		1016261	Screw, Hex Head (5/16-24 x 3-1/4")	1	1
10		1001762	Screw, Socket Button Head (1/4-20 x 1-3/4")	1	2
11		1012180	Bracket, Pivot, Black	1	2
12		1008495	Screw, Socket Button Head (1/4-20 x 1-1/2")	1	2
13		1016301	Washer, Nylon (5/16 x 7/8 x 1/8")	1	1
14	A,E,F	1046501	Link, Pivot, Black (14 - 15" W)	1	2
14		1012173	Link, Pivot, Black (16 - 18" W)	1	2
14	E	1018238	Link, Pivot, Black (20 - 22" W)	1	2
15		40183X002	Screw, Phillips Pan Head (#10-32 x 1-1/8")	1	4
		See Chart	Crossbraces and Hardware DLX (After 3/13/00)/SX/SX Recliner/Titan/CareGuard Titan	1	1

NOTE: A - Not Available for Tracer Titan.  
 B - Includes Items 1-14.  
 C - Used on Tracer Titan and CareGuard Titan.  
 D - Used on Tracer DLX (after 3/13/00), Tracer SX, and Tracer SX Recliner.  
 E - Not Available for CareGuard Titan.  
 F - Not Available for Tracer DLX (After 3/13/00).  
 G - 14-15" Wide Chair  
 H - 16-18" Wide Chair  
 I - 20-22" Wide Chair

### Crossbraces without Hardware

Chair Width	Right	Left
14"	1073457-NLA See Note(s) B, A	1073458-NLA See Note(s) A, B
16"	1073460-NLA	1073461-NLA
18"	1070065-NLA	1070066-NLA
20"	1073463 See Note(s) A	1073464 See Note(s) A

# Crossbraces and Hardware

Tracer DLX (After 3/13/00), Tracer SX and SX Recliner, Tracer and CareGuard Titan

## Crossbraces without Hardware

Chair Width	Right	Left
22"	1073501 See Note(s) B, A	1073502 See Note(s) A, B
NOTE: A - Not available for CareGuard Titan. B - Not available for DLX Manufactured after 3/13/00 or the Tracer Titan.		