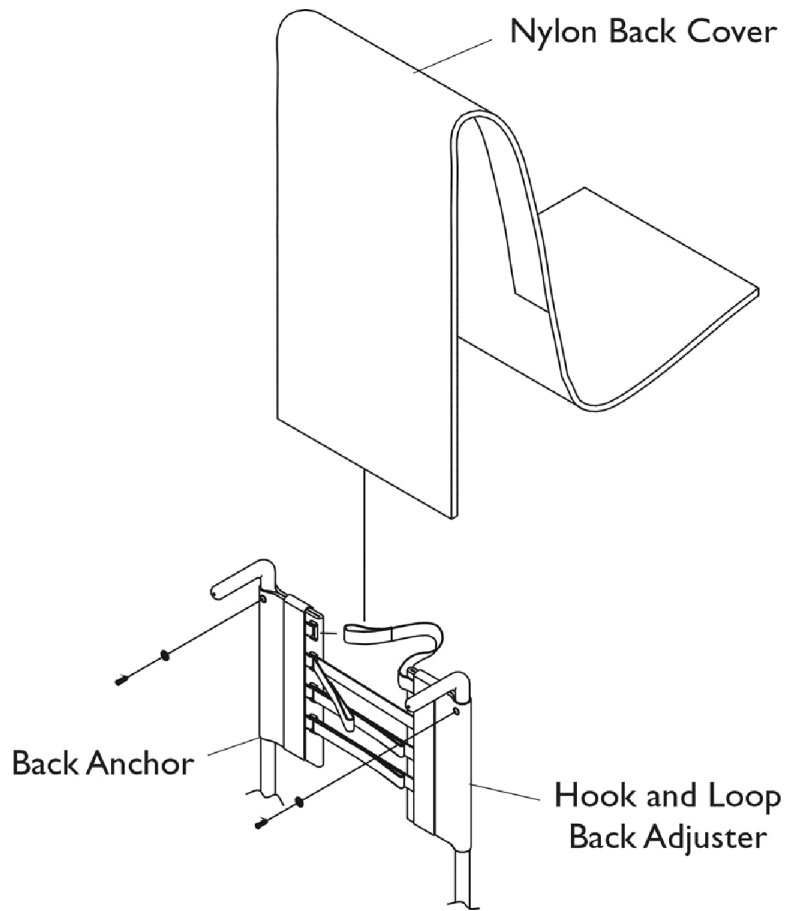


Adjustable Tension Back Upholstery



Adjustable Tension Back Upholstery

Back Height	Seat Width	Back Anchor	Hook & Loop Adjuster	Back Cover	Back Assembly See Note(s) A
8-11"	12"	1046405-NLA	1046401-NLA	1046242-NLA	1079092-NLA
8-11"	13"	1046405-NLA	1046401-NLA	1046243	1079093-NLA
8-11"	14"	1046405-NLA	1046402-NLA	1046244	1079094-NLA
8-11"	15"	1046405-NLA	1046402-NLA	1046245	1079095-NLA
8-11"	16"	1046405-NLA	1046402-NLA	1046246	1079096
8-11"	17"	1046405-NLA	1046403-NLA	1046247	1079097-NLA
8-11"	18"	1046405-NLA	1046403-NLA	1046248-NLA	1079098-NLA
8-11"	19"	1046405-NLA	1046404-NLA	1046249	1079099-NLA
8-11"	20"	1046405-NLA	1046404-NLA	1046250-NLA	1079100-NLA
10-14"	12"	1046287-NLA	1046283-NLA	1050685-NLA	1079101-NLA
10-14"	13"	1046287-NLA	1046283-NLA	1050688	1079102-NLA
10-14"	14"	1046287-NLA	1046284-NLA	1037929	1079103-NLA
10-14"	15"	1046287-NLA	1046284-NLA	1037930	1079104-NLA
10-14"	16"	1046287-NLA	1046284-NLA	1037931	1079105-NLA
10-14"	17"	1046287-NLA	1046285-NLA	1037932	1079106-NLA
10-14"	18"	1046287-NLA	1046285-NLA	1037933	1079107
10-14"	19"	1046287-NLA	1046286-NLA	1037934	1079108-NLA
10-14"	20"	1046287-NLA	1046286-NLA	1037935	1079109-NLA
12-16"	12"	1037916	1052740-NLA	1050686-NLA	1052745-NLA
12-16"	13"	1037916	1052740-NLA	1050689	1052746-NLA
12-16"	14"	1037916	1037925	1037918	1039478
12-16"	15"	1037916	1037925	1037919	1039479
12-16"	16"	1037916	1037925	1037920	1039480
12-16"	17"	1037916	1037917	1037921	1039481
12-16"	18"	1037916	1037917	1037922	1039482
12-16"	19"	1037916	1037926	1037923	1039483
12-16"	20"	1037916	1037926	1037924	1039484
14-18"	12"	1037720-NLA	1052741-NLA	1050687-NLA	1052747-NLA
14-18"	13"	1037720-NLA	1052741-NLA	1050690	1052748-NLA
14-18"	14"	1037720-NLA	1037736	1037922	1039485
14-18"	15"	1037720-NLA	1037736	1037923	1039486
14-18"	16"	1037720-NLA	1037736	1037924	1039487
14-18"	17"	1037720-NLA	1037721	1037925	1039488-NLA
14-18"	18"	1037720-NLA	1037721	1037926	1039489-NLA
14-18"	19"	1037720-NLA	1037737	1037927	1039490-NLA
14-18"	20"	1037720-NLA	1037737	1037928	1039491
16-20"	12"	1046731	1046732	1050687-NLA	1052747-NLA
16-20"	13"	1046731	1046732	1050690	1052748-NLA
16-20"	14"	1046731	1046732	1046735-NLA	1046742
16-20"	15"	1046731	1046732	1046736	1046743
16-20"	16"	1046731	1046732	1046737	1046744
16-20"	17"	1046731	1046733	1046738	1046745
16-20"	18"	1046731	1046733	1046739	1046746
16-20"	19"	1046731	1046734	1046740	1046747

Adjustable Tension Back Upholstery

Back Height	Seat Width	Back Anchor	Hook & Loop Adjuster	Back Cover	Back Assembly See Note(s) A
16-20"	20"	1046731	1046734	1046741	1046748

NOTE: A - Back Assembly includes Back Anchor, Hook and Loop Adjuster, Back Cover and Instruction Sheet.

Adjustable Tension Back Upholstery

Back Hardware

Item Number	Note	Part Number	Description	Quantity Per	
				Package	Assembly
	A	1026298	Package, Screw with Washer (#10 x 7/8") (Pair)	2	1
	A,B	1039470-NLA	NLA - Instruction Sheet, Adjustable Tension Back Upholstery	1	1
	A	See Chart	Back Upholstery -Adjustable Tension	1	1
NOTE: A - Not Shown B - Item is no longer available from the Invacare Service Parts Department. Refer to the Invacare Website under "Product Literature Search". Enter the part number in the "Keywords" field and download a free PDF version copy.					