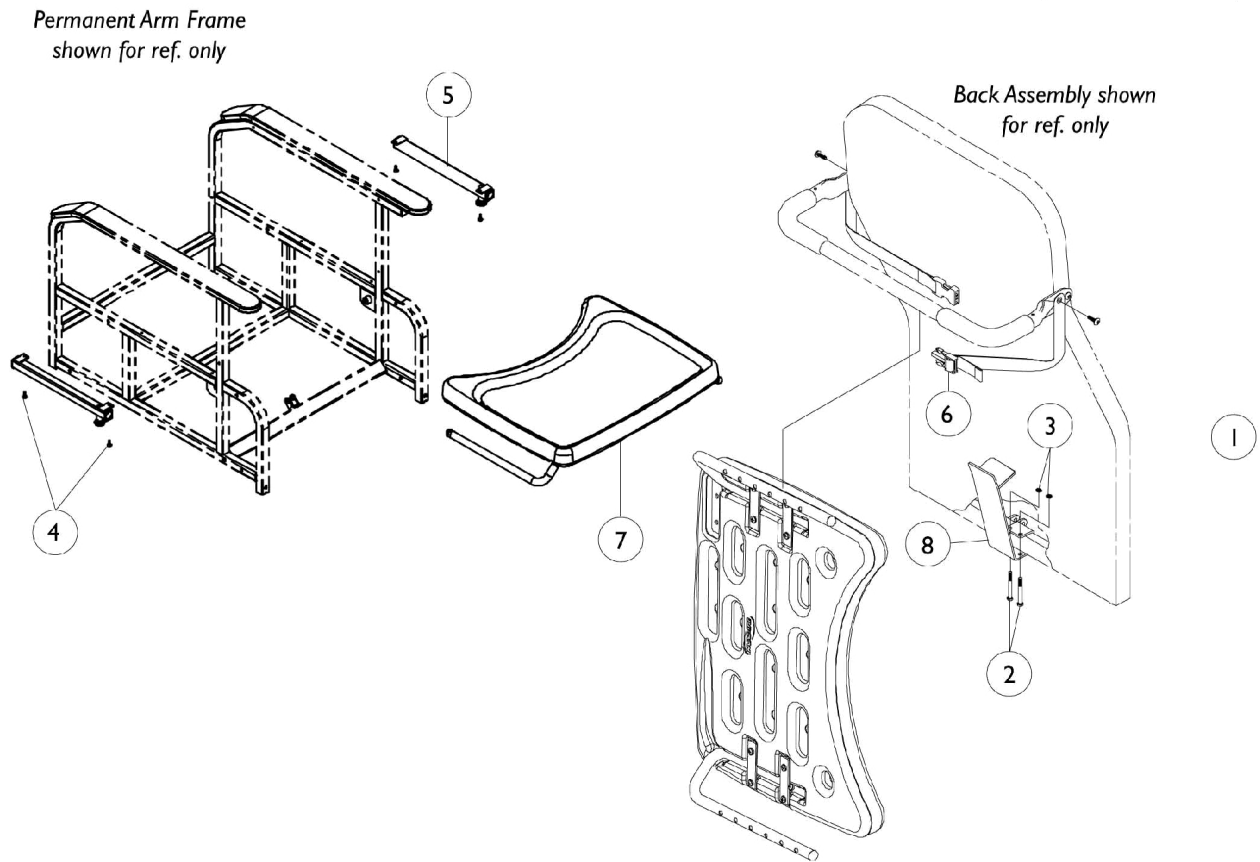


Tray



NOTE: This tray is not intended for use on chairs rated for CAL 133.

Tray

Item Number	Note	Part Number	Description	Quantity Per	
				Package	Assembly
1	D	1073543-NLA	NLA - Tray Assembly, CMPLT, Lap	1	1
2		1024796-NLA	NLA - Screw, Hex Head (1/4-20 x 2")	1	2
3		7930333	Locknut (1/4-20)	25	1
4		7930335-NLA	NLA - Package, Screw, Phillips Pan Head (#10-32 x 1/2")	25	1
5		1073554-NLA	NLA - Tray Receiver Assembly - Right	1	1
5		1073555-NLA	NLA - Tray Receiver Assembly - Left	1	1
6		1073557-NLA	NLA - Strap, Tray	1	1
7	A	1073558-NLA	NLA - Tray Assembly	1	1
8		1073559	Bracket, Stow Assembly, Grey	1	1
	B,C,E	1016298	Grip, Push Handle	1	2
	C	1075647-NLA	NLA - Instruction Sheet Tray Attachment	1	1

NOTE: A - As of 11/98 Tray Assembly design has changed; when replacing a Tray manufactured Before 11/98, you must order part no. 1073543 and replace entire assembly.
 B - As of 1/99 Rubber Grip is no longer part of the tray assembly
 C - Not Shown
 D - Includes items 2-8
 E - Before 1/99 only

NOTE: This tray is not intended to use on chairs rated for CAL 133.