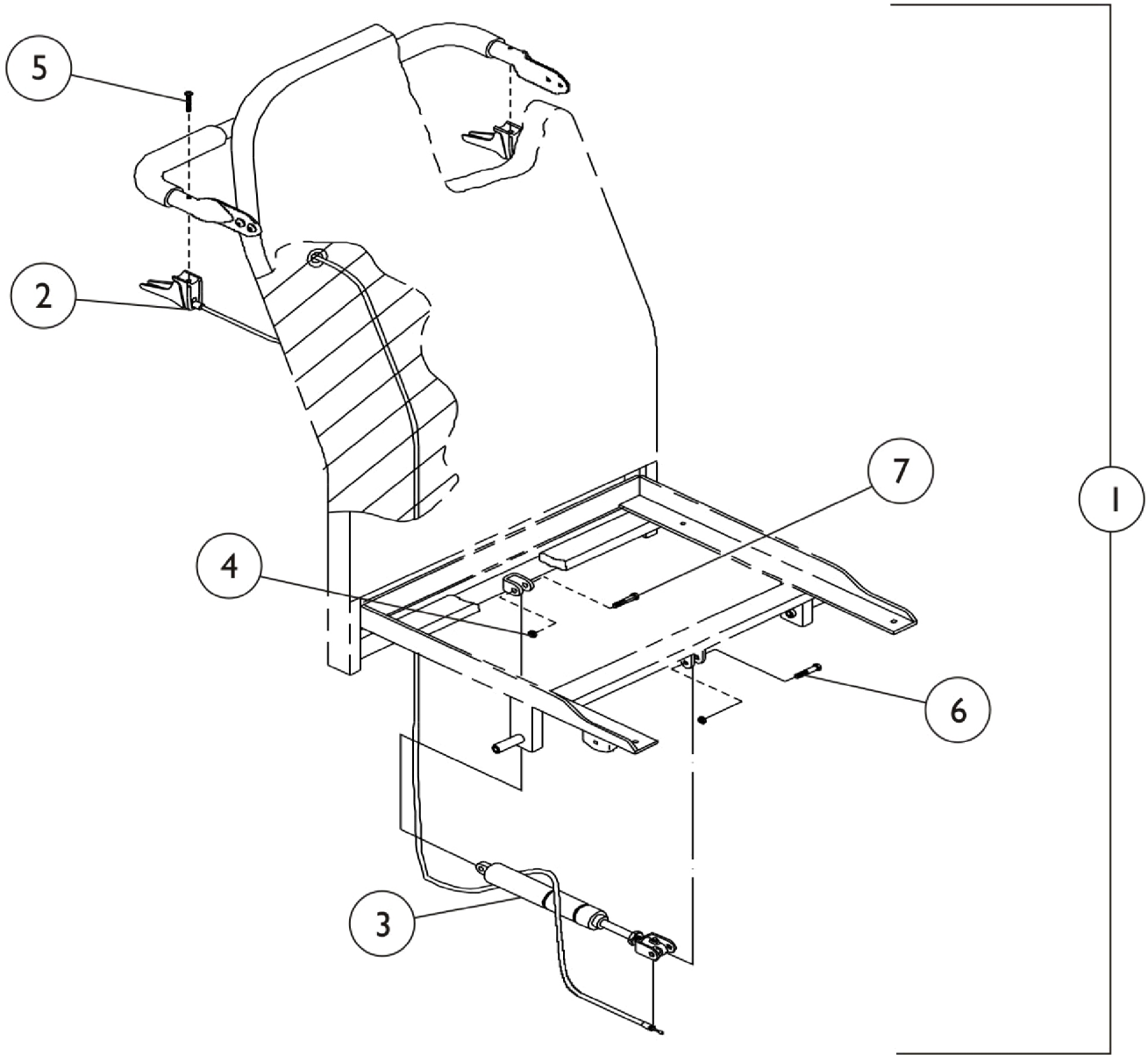


Lock Cylinder



Lock Cylinder

Item Number	Note	Part Number	Description	Quantity Per	
				Package	Assembly
1	A,B	1071232-NLA	Kit, Cylinder Hardware Assembly	1	1
2			NLA - Cable Assembly (48")	1	1
3			Cylinder Assembly	1	1
4			NLA - Locknut (5/16-24)	1	2
5			Screw, Phillips Pan Head (#10-32 x 1-3/8")	1	1
6			Screw, Hex Head (5/16-24 x 2")	1	1
7			Screw, Hex Head (5/16-24 x 1-1/2")	1	1
NOTE: A - If ordering for Model CP500, order 2 hardware sets per unit. B - Kit Includes Items 2-7.					