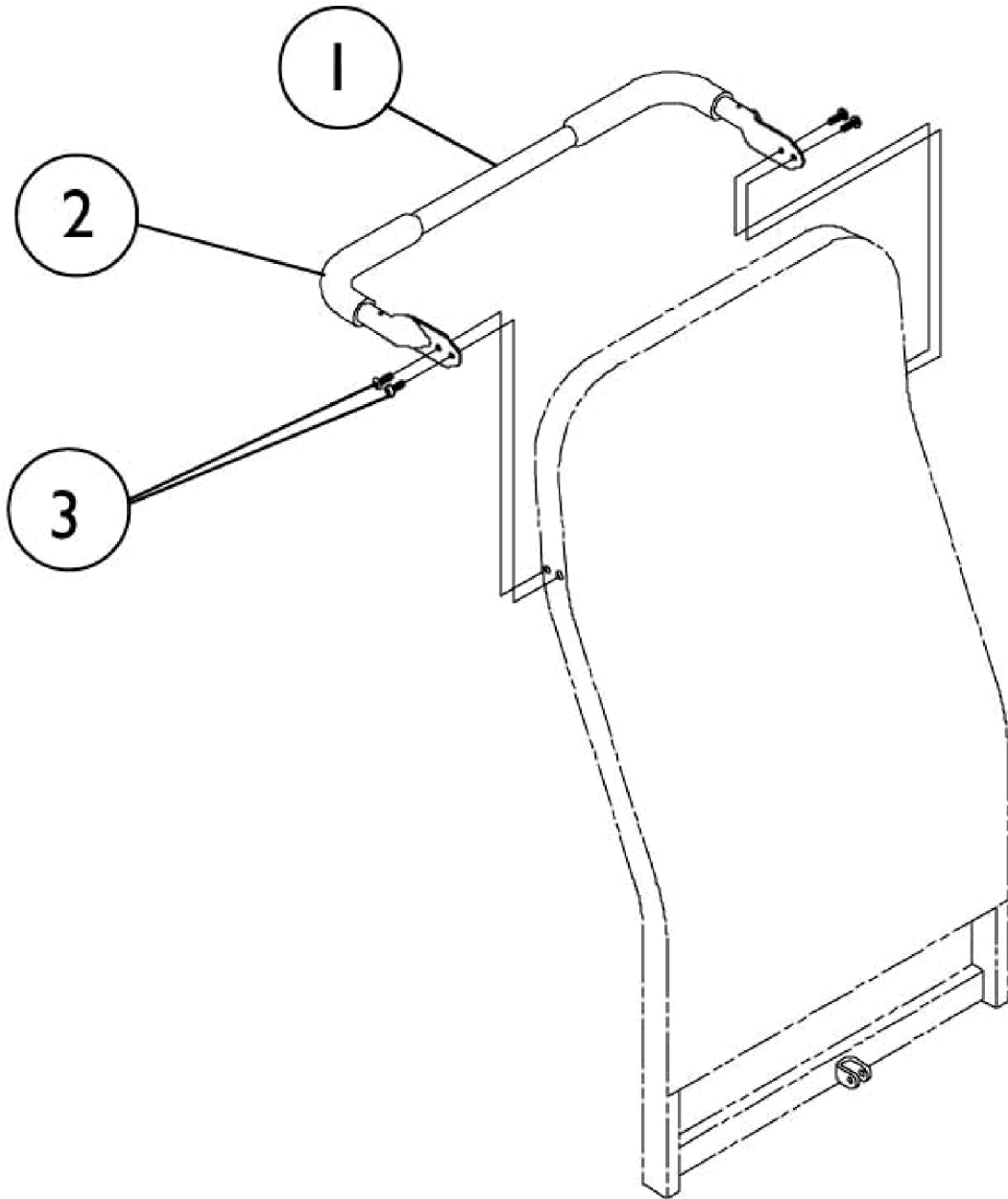


Push Handle



Push Handle

Item Number	Note	Part Number	Description	Quantity Per	
				Package	Assembly
1	A,B	1071229-NLA	NLA - Push Handle w/ Grips Assembly	1	1
1	C	1075143-NLA	NLA - Push Handle w/o Grips Assembly	1	1
2	A	1032244	Grip, Foam Hand (9" L)	1	2
3	D	1007269	Screw, Socket Button Head (1/4-20 x 5/8")	1	4
3	E	1045267	Screw, Hex Head w/ Patch (1/4-20 x 3/4")	1	4
NOTE: A - This is not standard equipment on the model CP200. B - Includes items 2-3 C - Includes item 3 D - Before 12/98 E - After 11/98					