

**Leo Scooter - Canada Service Parts
Three and Four Wheel Scooter**



Yes, you can.

Parts Catalogue Usage Guide

The information contained in this document is subject to change without notice. This catalogue contains service parts for Form No. 09-088C. If you have any questions regarding this catalogue, please contact one of our Customer Service Representatives.

For Customer Service Support Call:

1-800-668-5324 or 1-905-890-8300

For Faxed In Orders Call:

1-800-668-5478 or

1-905-890-5244

For Technical Service Call:

1-800-668-5324 x2655

For Orders:

canadaorders@invacare.com

Literature: www.invacare.ca or 1-800-668-5324

SYMBOL DEFINITION

Throughout this catalog you will notice letters to draw your attention to specific footnotes which are located at the bottom of the page or below specified charts.

Examples:

A,B,C etc. = Special Comments

NOTE: = General information pertaining to that specific page

NLA = No Longer Available

HARDWARE MEASUREMENTS

The measurements for the hardware will be listed as follows:

Screws, Bolts Diameter X Thread Count/Pitch X Length

Washers Inside Diameter X Outside Diameter X Thickness

Spacers Inside Diameter X Outside Diameter X Length

For your convenience, we have supplied an area for you to list your Invacare Representatives.

Name	Phone Numbers

© 2022 Invacare Corporation. All rights reserved. Reproduction, duplication or modification in whole or in part is prohibited without prior written permission from Invacare. Trademarks are identified by ™ and ®. All trademarks are owned by or licensed to Invacare Corporation or its subsidiaries unless otherwise noted.

TABLE of CONTENTS

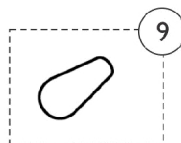
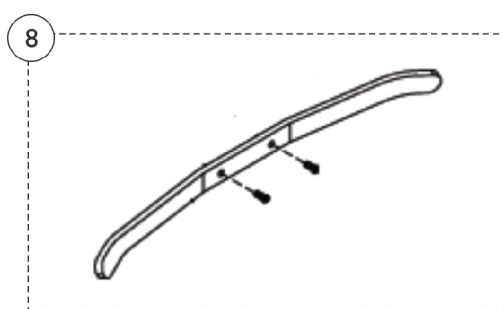
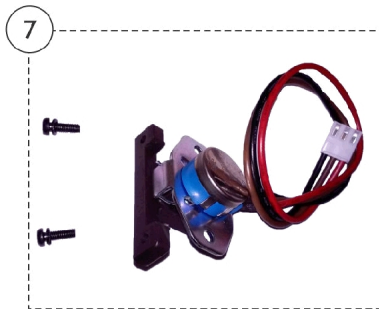
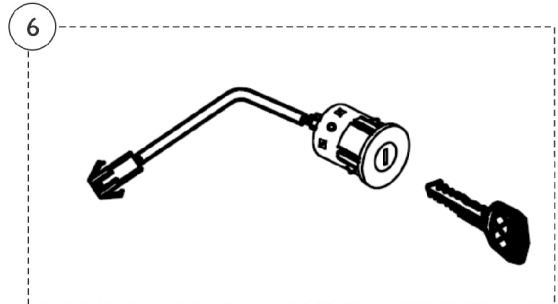
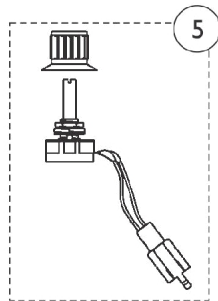
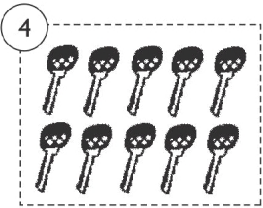
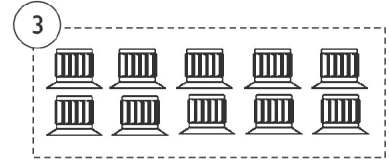
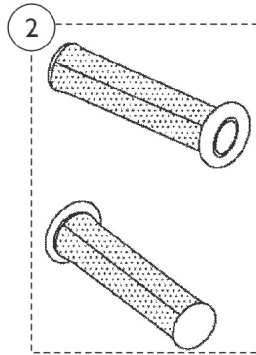
Description	Page Number
Accessories - Basket, Floor Mats and Reflectors	16
Electronics	12
Frame Finishes and Touch-Up Paint	3
Motor & Transaxle	10
Seat & Arms	6
Shrouds	8
Tiller Maintenance	4
Wheels & Anti-Tippers	14

Frame Finishes and Touch-Up Paint

Touch-Up Paint (.6 oz.)	Color
1149226-NLA See Note(s) A	Paint, Touch-Up, Blue
1169179-NLA See Note(s) B	Paint, Touch-Up, Onyx Blue
1101318-NLA	Paint, Touch-Up, Silver

NOTE: A - To be used on scooters built before serial number 10DCT000135.
B - To be used on scooter built after serial number 10DCT000134.

Tiller Maintenance

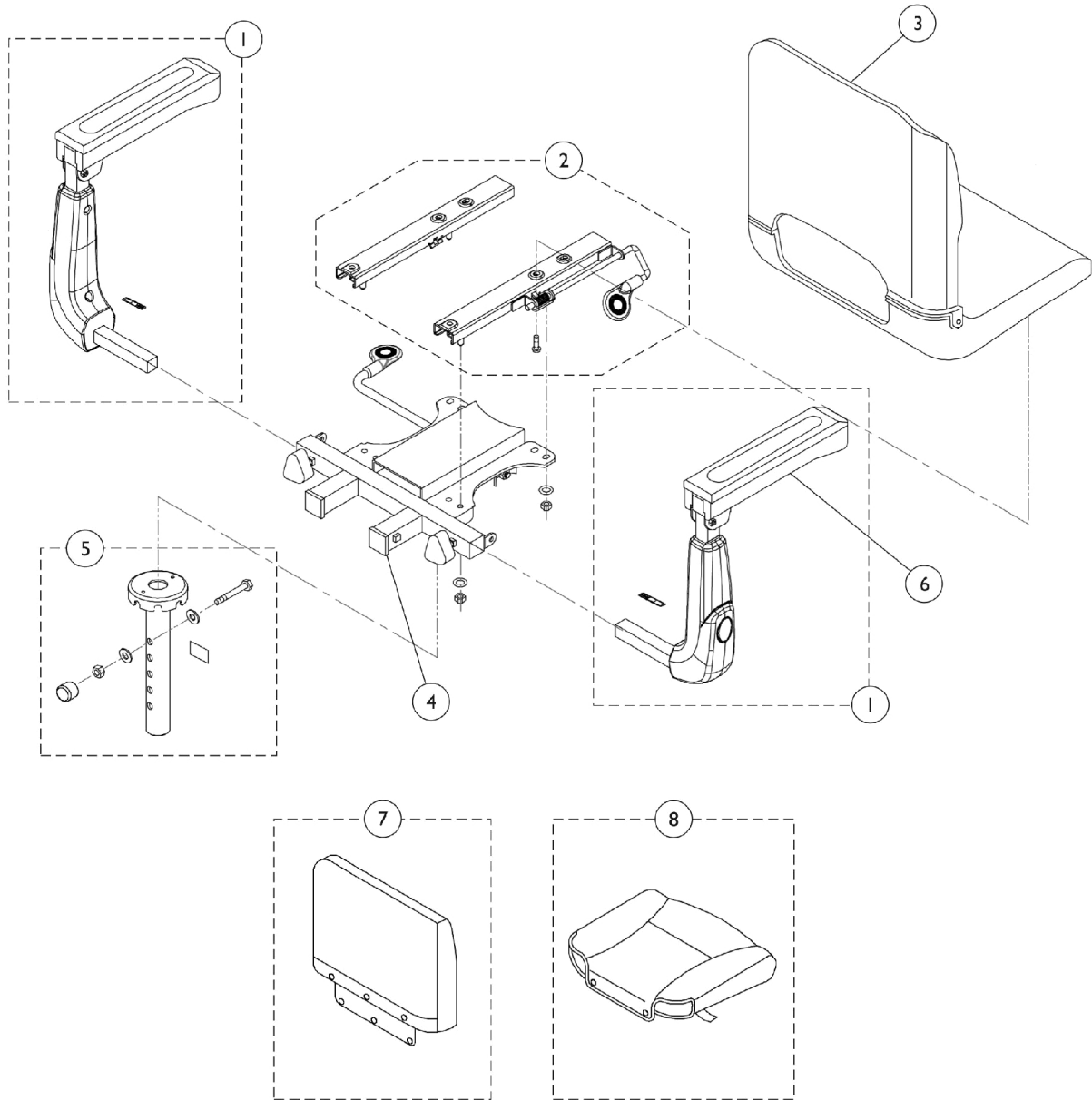


Tiller Maintenance

Item Number	Note	Part Number	Description	Quantity Per	
				Package	Assembly
1		1505950	Top Tiller Shroud w/ Control Panel Assembly	1	1
2		1144802	Hand Grip (Pair)	1	2
3		1144792	Package, Speed Control Knob	10	1
4		1164848	Package, Ignition Key	10	1
5		1164847	Speed Potentiometer Assembly w/ Knob	1	1
6		1168408	Ignition Switch w/ Key Assembly	1	1
7		1506151	Kit, Throttle Potentiometer Assembly w/ Hardware	1	1
8		1169008	Throttle Lever w/ Hardware	1	1
9		1505416	Handle, Tiller Adjustment	1	1

Seat & Arms

Leo 3W, Leo 4W



Seat & Arms Leo 3W, Leo 4W

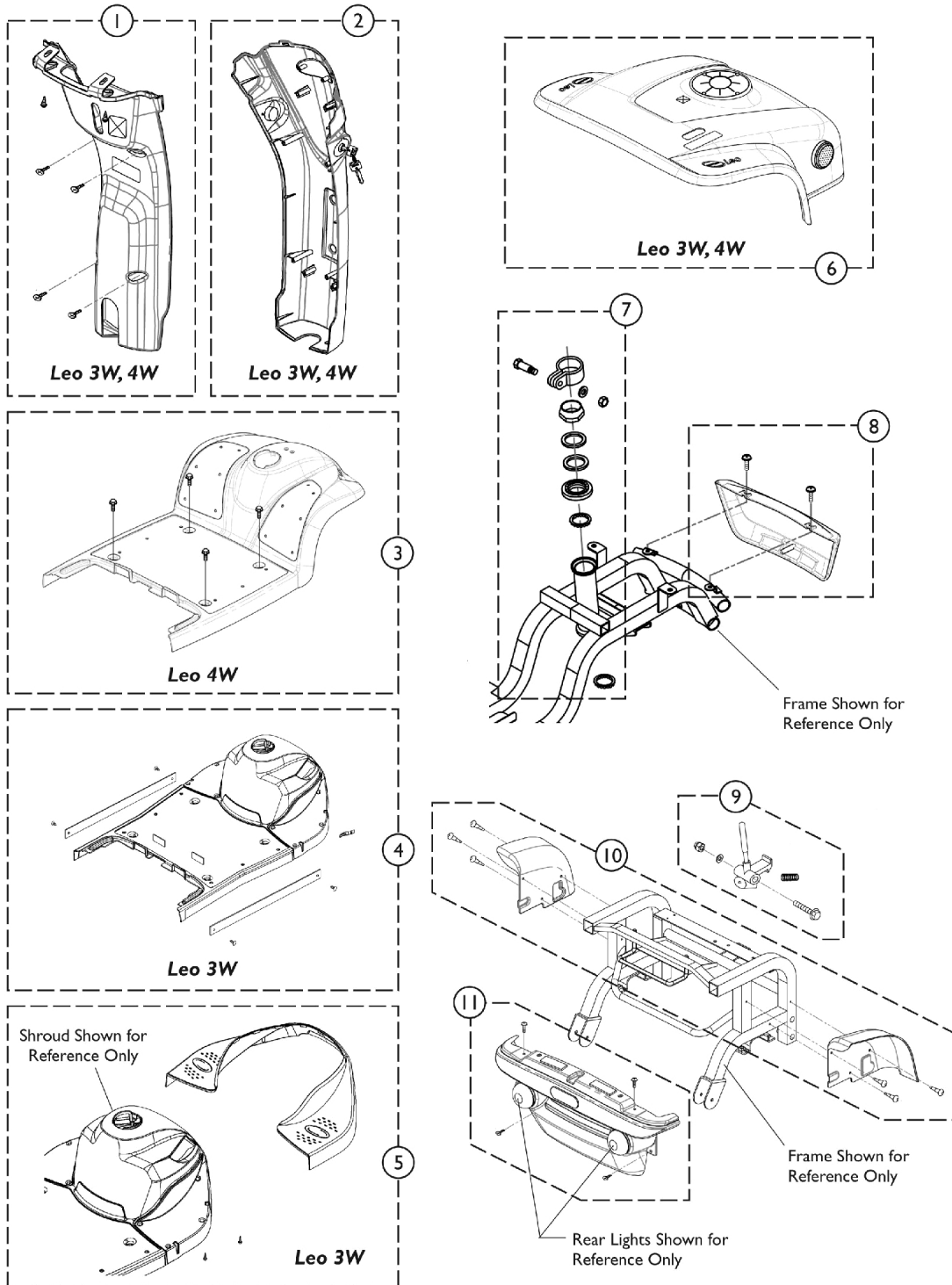
Item Number	Note	Part Number	Description	Quantity Per	
				Package	Assembly
1	A	1173792-NLA	NLA - Arm Assembly - Right	1	1
1	A	1173793-NLA	NLA - Arm Assembly - Left	1	1
1	B	1506314	Arm Assembly - Right	1	1
1	B	1506313	Arm Assembly - Left	1	1
2		1164833	Seat Slide Assembly	1	1
3		1164835-NLA	NLA - Seat and Back Assembly	1	1
3	E	1578946	Seat and Back Assembly w/ Double White Stitching	--	1
4		1164834-NLA	NLA - Seat Bracket Assembly	--	1
5		1165106	Post, Seat Guide w/ Hardware	--	1
6		1173789	Armrest	--	2
7	C,F	1168463-NLA	NLA - Cover, Back, Leo - Black Only	--	1
8	C,G	1168464-NLA	NLA - Cover, Seat, Leo - Black Only	--	1
	D	1507005	Knob, Tightening	--	1

NOTE: A - For Three or Four Wheel Scooters manufactured before 08/08/2011.
 B - For Three or Four Wheel Scooters manufactured after 08/07/2011.
 C - For complete Seat Assembly, see item 3 (1164835).
 D - Not shown in the parts illustration.
 E - After February 2014, Serial Number 14CT000295.
 F - Before Serial Number 14CT000294.
 G - Before Serial Number 14CT000294.

Shrouds

Leo 3W, Leo 4W

Due to design change, Invacare recommends replacing all Blue Shrouds with Onyx Blue Shrouds on scooters manufactured after serial number 10DCT000134 in order to maintain a unified appearance.



Shrouds

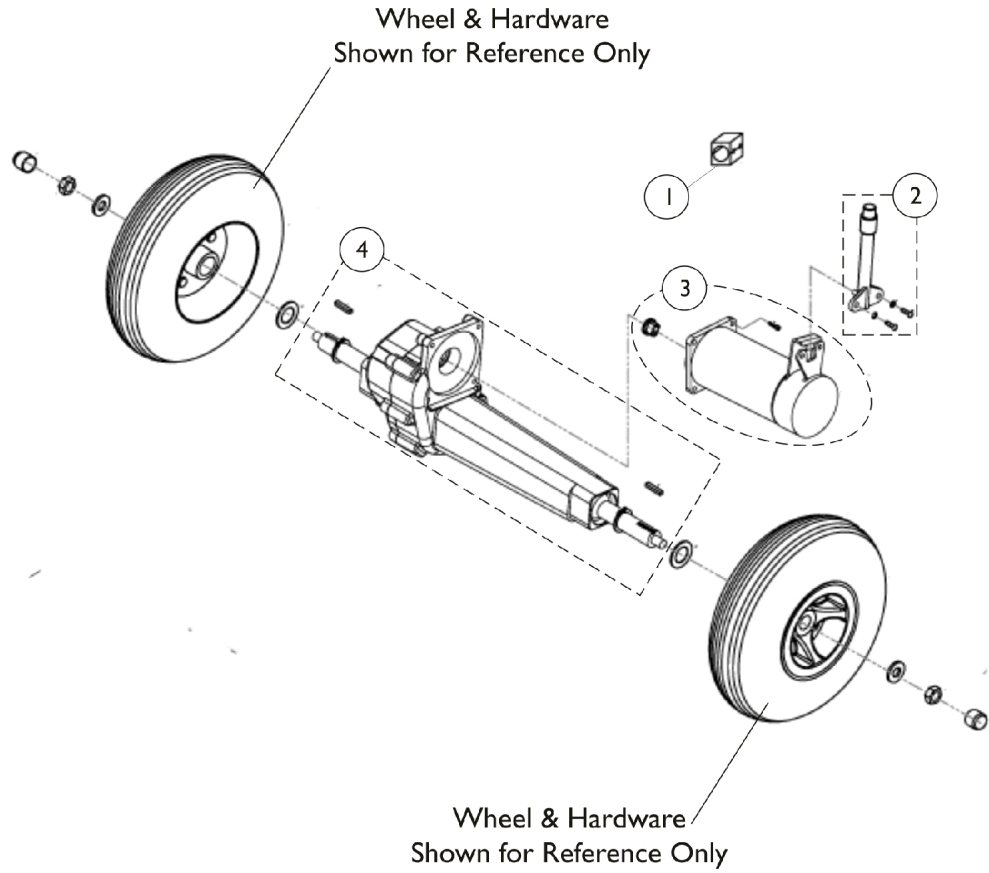
Leo 3W, Leo 4W

Due to design change, Invacare recommends replacing all Blue Shrouds with Onyx Blue Shrouds on scooters manufactured after serial number 10DCT000134 in order to maintain a unified appearance.

Item Number	Note	Part Number	Description	Quantity Per	
				Package	Assembly
1	K,A	1165103	Shroud, Tiller, Rear (Leo 3W, 4W)	1	1
2	F,K	1508500	Shroud, Tiller, Front, Onyx Blue	1	1
2	G,K	1148175	Shroud, Tiller, Front, Onyx Blue (Leo 3W, 4W)	1	1
2	K	1505858	Shroud, Tiller, Front, Moonstone Silver	1	1
3	F,M,B	1164842	Shroud, Main w/ Hardware, Blue (Leo 4W)	1	1
3	G,M	1148174	Shroud, Main w/ Hardware, Onyx Blue (Leo 4W)	1	1
3	M,B	1164843	Shroud, Main w/ Hardware, Silver (Leo 4W)	1	1
4	L	1547585	Shroud, Front, Onyx Blue (Leo 3W)	1	1
4	L	1547584	Shroud, Front, Silver (Leo 3W)	1	1
5	J,L	1547590	Cover, Front Bumper w/ Hardware (Leo 3W)	1	1
6	F,M	1165105	Shroud, Rear, Blue (Leo 3W, 4W)	1	1
6	G,L,M	1148173	Shroud, Rear, Onyx Blue (Leo 3W, 4W)	1	1
6	M	1165104	Shroud, Rear, Silver (Leo 3W, 4W)	1	1
7	K	1547591	Kit, Bearings, Tiller Column	1	1
8	E,M	1506187	Bumper, Front w/ Hardware (Leo 4W)	1	1
9	D,K	1506277	Release Lever Assembly w/ Hardware	1	1
10	K,A	1164836	Fender w/ Hardware - Right/Left	1	1
11	C,K	1506312	Bumper, Rear w/ Hardware	1	1

NOTE: A - Includes (6) screws.
 B - Includes (4) bolts. Invacare recommends replacing mats and rivets when replacing a Main Shroud. See category titled, "Baskets, Floor Mats & Reflectors" to order.
 C - Includes (4) screws.
 D - Includes (1) bolt, washer, spring and nut cap.
 E - Includes (2) bolts and (3) screws.
 F - For scooters manufactured before serial number 10DCT000135. Four Wheel (4W) Scooters Only.
 G - For scooters manufactured after serial number 10DCT000134. Three (3W) and Four (4W) Scooters.
 J - Includes Bumper Cover and (8) Screws.
 K - Used with the Three Wheel and Four Wheel Scooters.
 L - Used with the Three Wheel Scooter.
 M - Used with the Four Wheel Scooter.

Motor & Transaxle

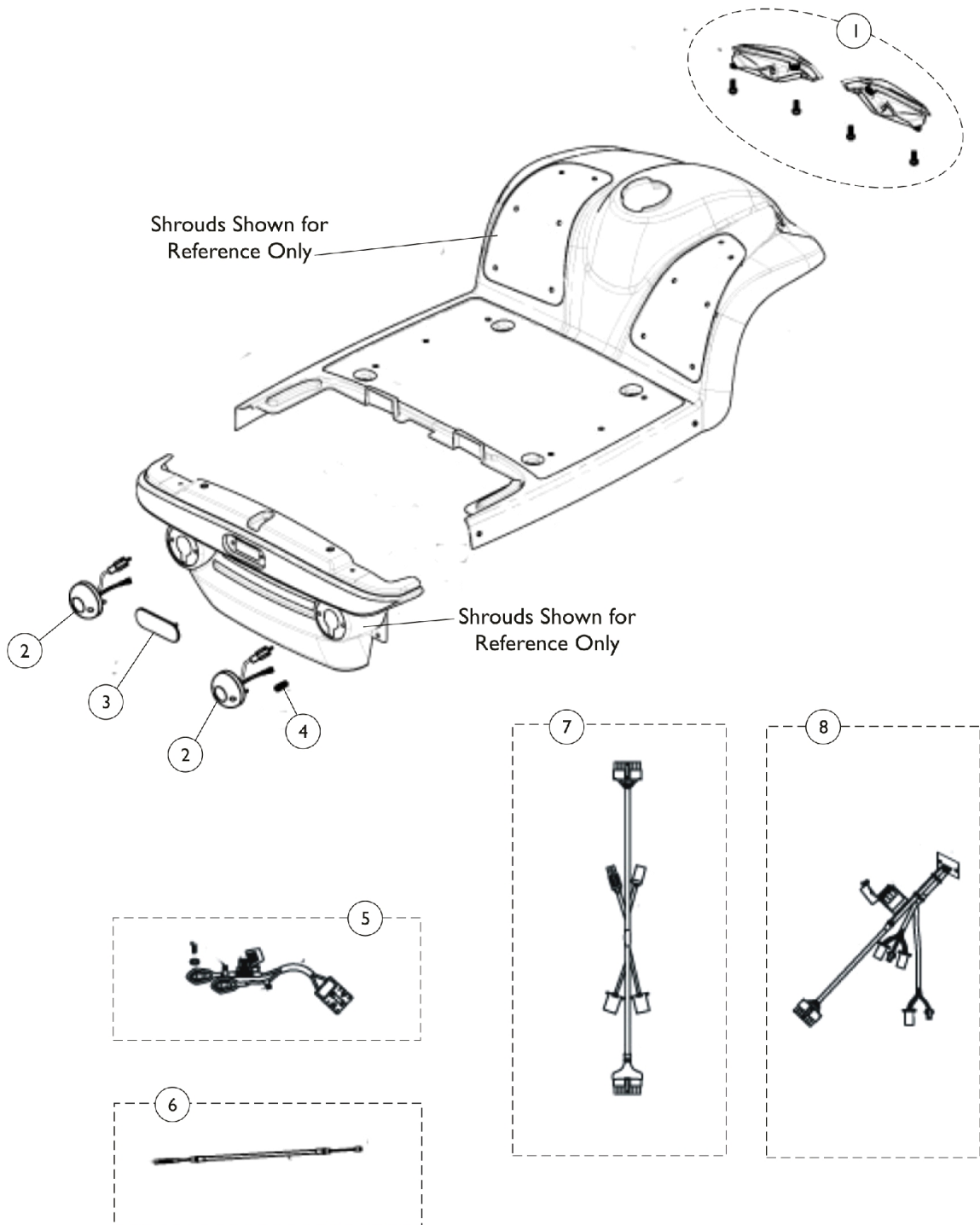


Motor & Transaxle

Item Number	Note	Part Number	Description	Quantity Per	
				Package	Assembly
1		1164829	Core, EMI (Pair)	2	1
2	A	1506318	Lever, Brake w/ Hardware	1	1
3	B	1164828	Motor w/ Brake and Hardware	1	1
4	C	1164827	Transaxle w/ Hardware	1	1
	D	1534599	Carbon Brush	1	2
NOTE: A - Includes (2) screws and washers. B - Includes bolt and guide. C - Includes (2) key shafts. D - Item is not shown in the illustration.					

Electronics

Leo 3W, Leo 4W



Electronics

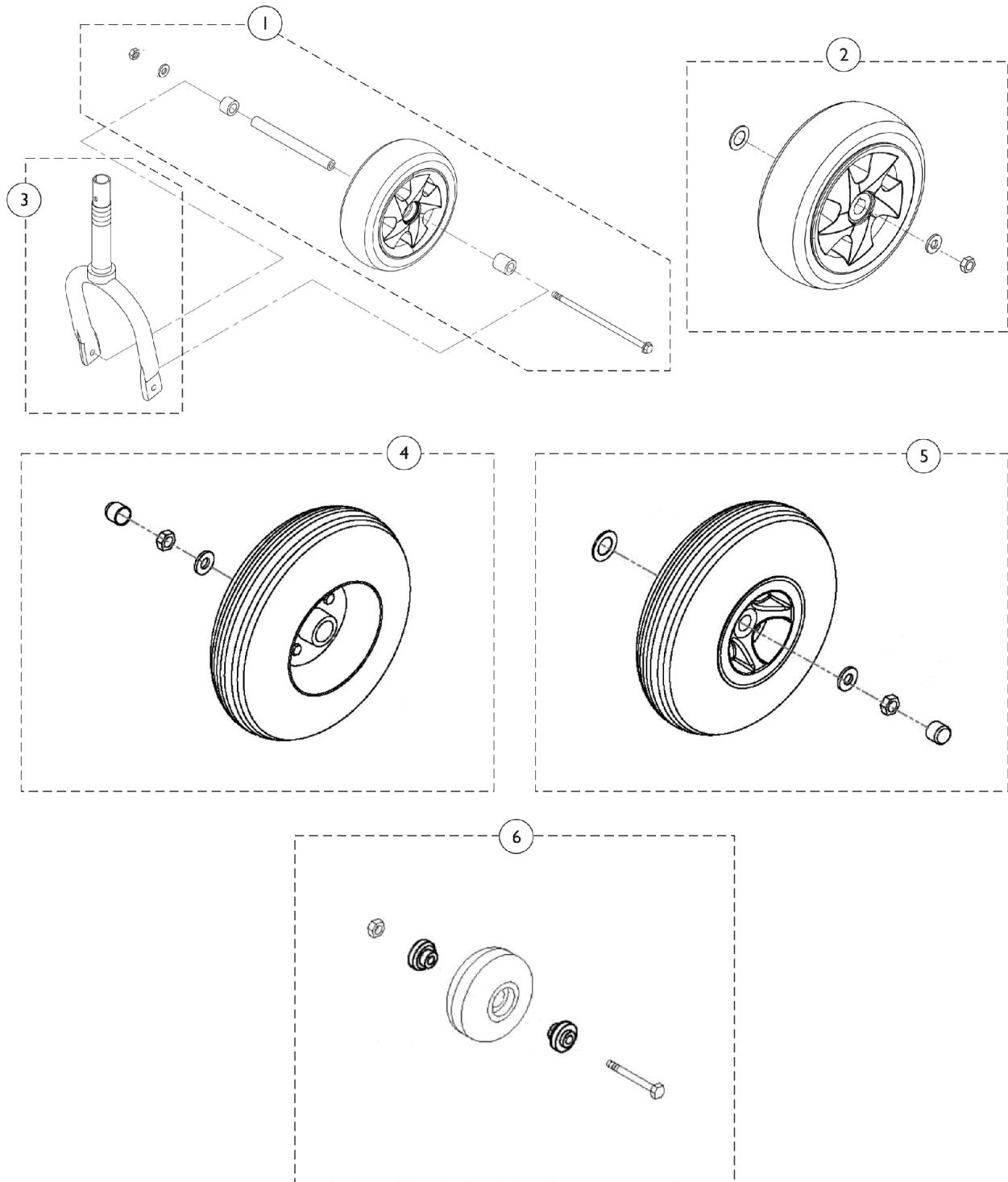
Leo 3W, Leo 4W

Item Number	Note	Part Number	Description	Quantity Per	
				Package	Assembly
1	B,A	1173794	Headlights, Front w/ Hardware (Pair)	2	1
1	C,A	1164845	Headlights, Front w/ Hardware (Pair)	2	1
2		1164838	Signal, Rear Turn (Pair)	2	1
3		1505528	Stoplight, Rear	1	1
4		1164839	Package, Rear Light Bulb	10	2
5		1164844	Harness, Battery	1	1
6		1505295	Cable	1	1
7		1505402	Harness, Wire, Front	1	1
8		1505516	Harness, Wire, Rear	1	1
	D,F	1148828	Controller R-Series (DR-90) w/ Hardware	1	1
	E,F	1553404	Controller, Rhino (90A)	1	1
	F	1144798	Cable, Charger	1	1
	F	1148830	Charger, Off-Board, 24 DC (5 AMP)	1	1
	F	1154157	Programmer, Hand Held (DX-HHP) for DR-50 Controller	1	1

NOTE: A - Includes (4) Screws.
 B - Used on Three Wheel Scooters.
 C - Used on Four Wheel Scooters.
 D - For Scooters manufactured prior to June 2011.
 E - For Scooters manufactured after June 2011.
 F - Not shown in illustration.

Wheels & Anti-Tippers

Leo 3W, Leo 4W



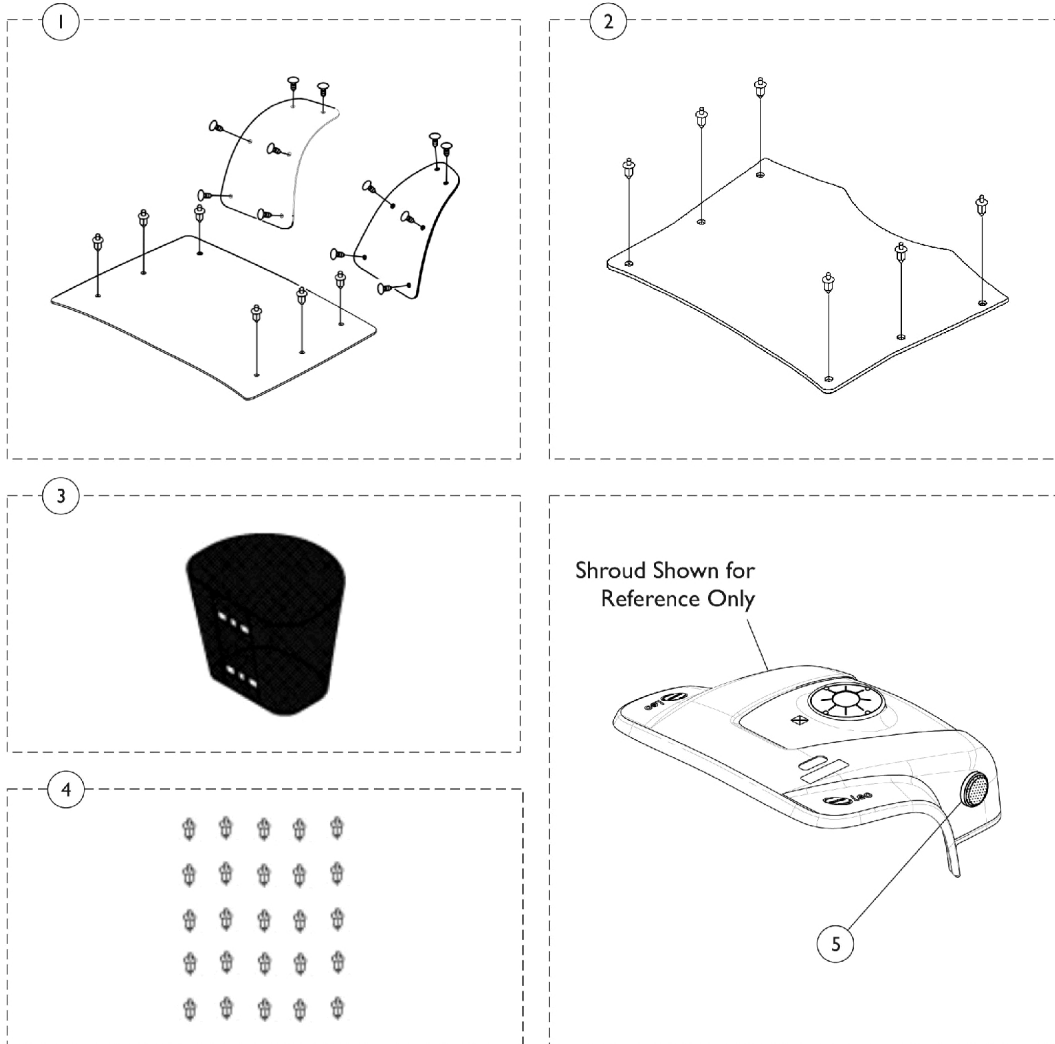
Wheels & Anti-Tippers Leo 3W, Leo 4W

Item Number	Note	Part Number	Description	Quantity Per	
				Package	Assembly
1	A	1173791	Wheel, Front w/ Hardware	1	1
2	A	1173790	Wheel, Rear w/ Hardware (Pair)	2	1
3	A	1547307	Fork, Front Wheel	1	1
4	B	1164830	Wheel, Rear w/ Hardware (Pair)	2	1
5	B	1164832	Wheel, Front w/ Hardware (Pair)	2	1
6		1164831	Anti-Tipper (Pair)	2	1

NOTE: A - For Three Wheel Scooter only.
B - For Four Wheel Scooter only.

Basket, Floor Mats and Accessories

Leo 3W, Leo 4W



Basket, Floor Mats and Accessories Leo 3W, Leo 4W

Item Number	Note	Part Number	Description	Quantity Per	
				Package	Assembly
1	B	1164840	Floor Mats w/ Hardware, Leo 4 Wheel	1	1
2	C	1547589	Floor Mats w/ Hardware, Leo 3 Wheel	1	1
3	A,D	1505414-NLA	NLA - Basket	1	1
3	A,E	1148861-NLA	NLA - Basket	1	1
3	A	1577430	Front Composite Basket	1	1
4		1164841	Package, Push Rivets	25	1
5		1164837	Reflector (Pair)	2	1
<p>NOTE: A - Additional hardware is not needed to attach basket. B - Includes floor mats and attaching hardware. For Leo 4 Wheel Scooter only. C - Includes floor mat and attaching hardware. For Leo 3 Wheel Scooter only. D - Part number no longer available. See part number 1148861 as a replacement. E - Part number no longer available. See part number 1577430 as a replacement.</p>					

Invacare Canada L.P.

www.invacare.ca



Yes, you can.

570 Matheson Blvd E;8
Mississauga, ON
L4Z 4G4
905-890-8300

Technical Support
8006685324 x2655
Customer Service
800-668-5324

Literature
800-668-5324
or www.invacare.ca

© 2022 Invacare Corporation. All rights reserved. Republication, duplication or modification in whole or in part is prohibited without prior written permission from Invacare. Trademarks are identified by TM and ©. All trademarks are owned by or licensed to Invacare Corporation or its subsidiaries unless otherwise noted. (Revised 4/20/22)

Form No. 09-088C