

**Leo Scooter - US Service Parts  
Three and Four Wheel**



*Yes, you can.*

# Parts Catalog Usage Guide

The information contained in this document is subject to change without notice. This catalog contains service parts for Form No. 09-088. If you have any questions regarding this catalog, please contact one of our Customer Service Representatives.

**For Customer Service Support Call:**

**1-800-333-6900**

**For Faxed In Orders Call:**

**1-800-678-4682 or**

**1-440-366-0709**

**For Technical Service Call:**

**1-800-832-4707**

**Literature Can Be Found at:**

**[www.invacare.com](http://www.invacare.com) or**

**1-800-828-6272**

## SYMBOL DEFINITION

Throughout this catalog you will notice letters to draw your attention to specific footnotes which are located at the bottom of the page or below specified charts.

Examples:

A,B,C etc. = Special Comments

NOTE: = General information pertaining to that specific page

NLA = No Longer Available

## HARDWARE MEASUREMENTS

The measurements for the hardware will be listed as follows:

Screws, Bolts Diameter X Thread Count/Pitch X Length

Washers Inside Diameter X Outside Diameter X Thickness

Spacers Inside Diameter X Outside Diameter X Length

For your convenience, we have supplied an area for you to list your Invacare Representatives.

Name	Phone Numbers

© 2022 Invacare Corporation. Elyria, Ohio. Invacare, the Medallion Design and Yes, you can. are registered trademarks and Leo is a trademark of Invacare Corporation.

# TABLE of CONTENTS

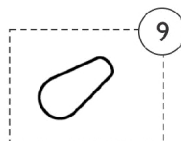
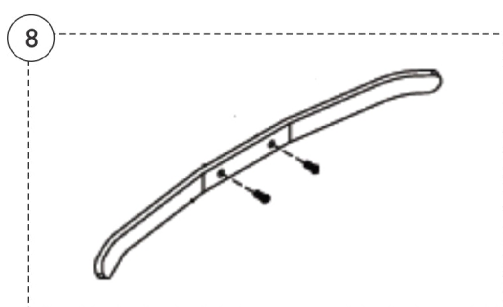
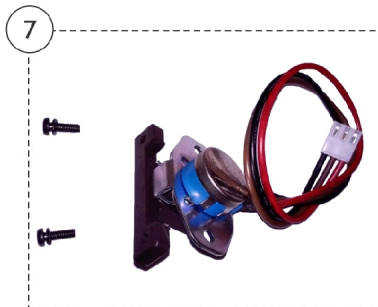
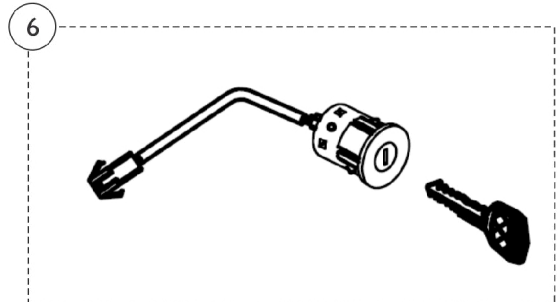
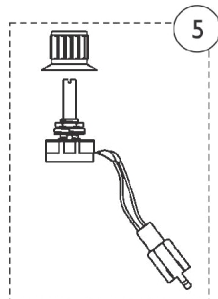
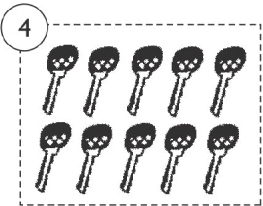
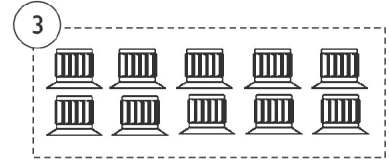
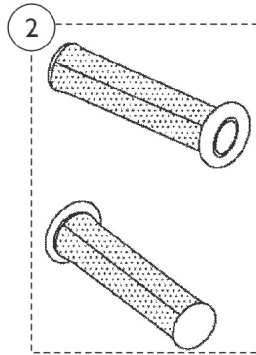
<b>Description</b>	<b>Page Number</b>
Accessories - Basket, Floor Mats and Reflectors .....	16
Electronics .....	12
Frame Finishes and Touch-Up Paint .....	3
Motor & Transaxle .....	10
Seat & Arms .....	6
Shrouds .....	8
Tiller Maintenance .....	4
Wheels & Anti-Tippers .....	14

# Frame Finishes and Touch-Up Paint

Touch-Up Paint (.6 oz.)	Color
1149226-NLA See Note(s) A	Paint, Touch-Up, Blue
1169179-NLA See Note(s) B	Paint, Touch-Up, Onyx Blue
1101318-NLA	Paint, Touch-Up, Silver

NOTE: A - To be used on scooters built before serial number 10DCT000135.  
B - To be used on scooter built after serial number 10DCT000134.

# Tiller Maintenance



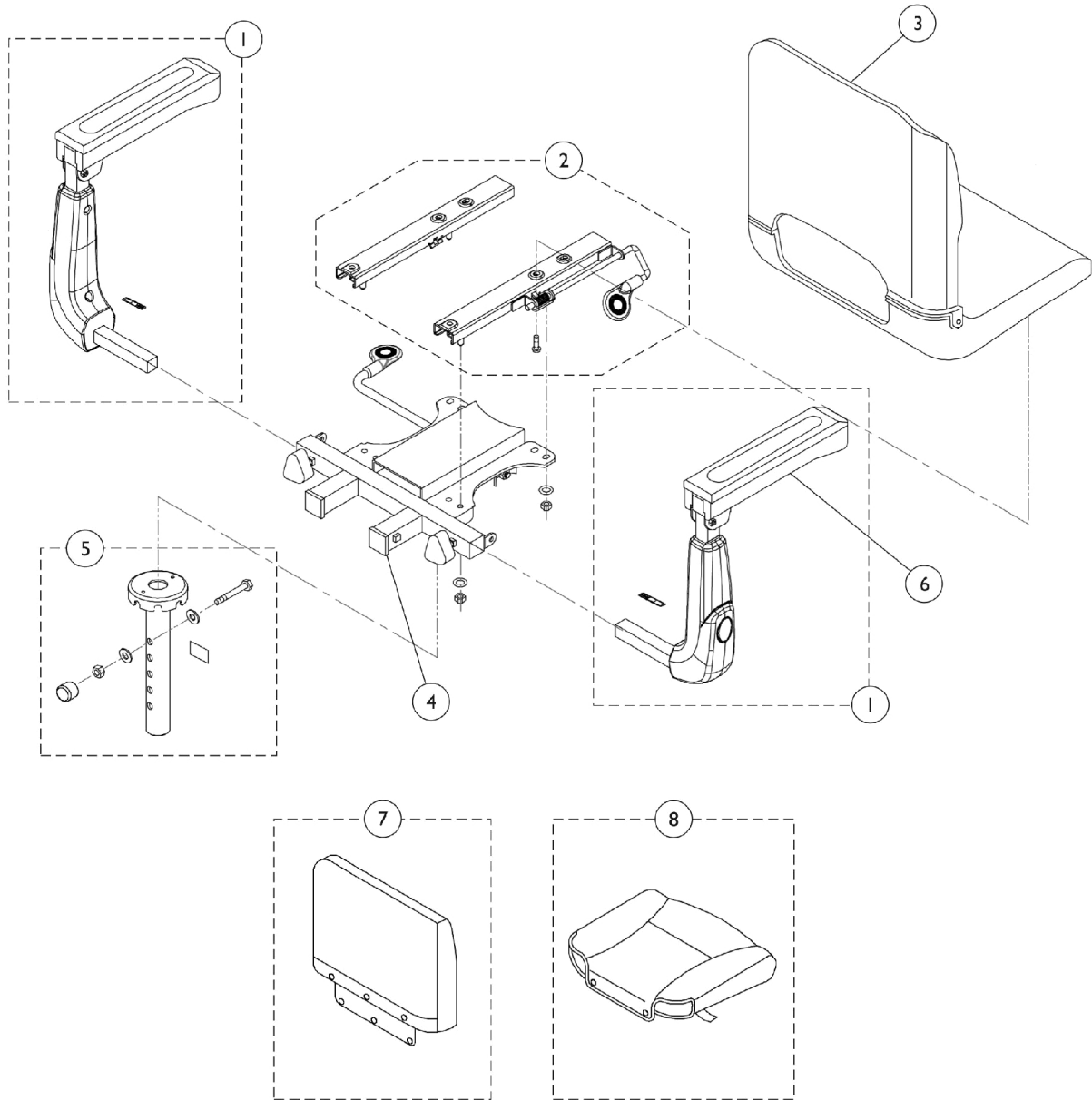
## Tiller Maintenance

Item Number	Note	Part Number	Description	Quantity Per	
				Package	Assembly
1		1505950	Top Tiller Shroud w/ Control Panel Assembly	1	1
2		1144802	Hand Grip (Pair)	1	2
3		1144792	Package, Speed Control Knob	10	1
4		1164848	Package, Ignition Key	10	1
5		1164847	Speed Potentiometer Assembly w/ Knob	1	1
6		1168408	Ignition Switch w/ Key Assembly	1	1
7	A	1506151	Kit, Throttle Potentiometer Assembly w/ Hardware	1	1
8		1169008	Throttle Lever w/ Hardware	1	1
9		1505416	Handle, Tiller Adjustment	1	1

NOTE: A - Kit includes the Starter Potentiometer Assembly and 2 ea. attaching Screws. Throttle Lever is not included with kit.

# Seat & Arms

## Leo 3W, Leo 4W



## Seat & Arms Leo 3W, Leo 4W

Item Number	Note	Part Number	Description	Quantity Per	
				Package	Assembly
1	A	1173792-NLA	NLA - Arm Assembly - Right	1	1
1	A	1173793-NLA	NLA - Arm Assembly - Left	1	1
1	B	1506314	Arm Assembly - Right	1	1
1	B	1506313	Arm Assembly - Left	1	1
2		1164833	Seat Slide Assembly	1	1
3		1164835-NLA	NLA - Seat and Back Assembly	1	1
4		1164834-NLA	NLA - Seat Bracket Assembly	1	1
5		1165106	Post, Seat Guide w/ Hardware	1	1
6		1173789	Armrest	1	2
7	C	1168463-NLA	NLA - Cover, Back, Leo - Black Only	1	1
8	C	1168464-NLA	NLA - Cover, Seat, Leo - Black Only	1	1

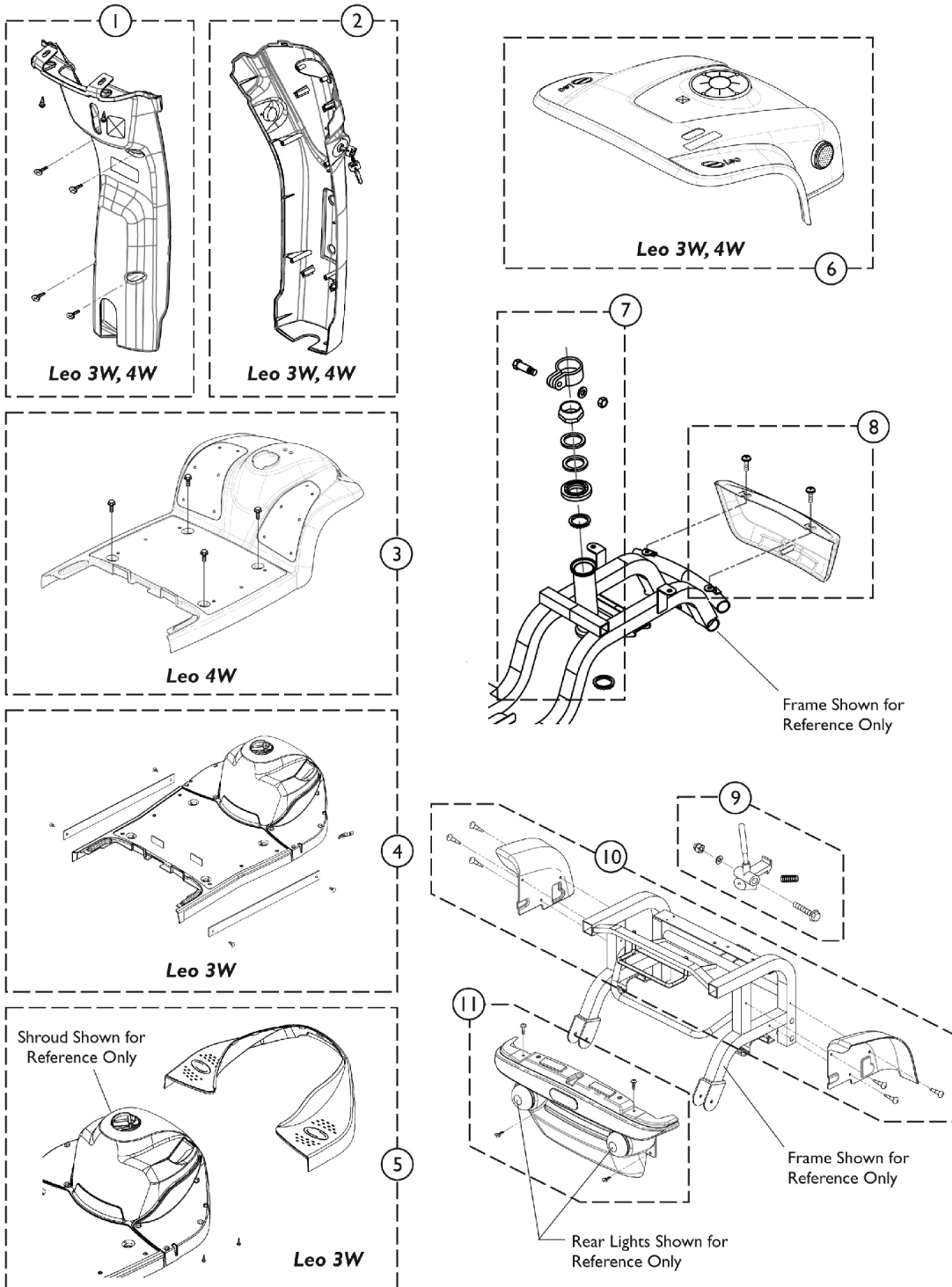
NOTE: A - For Four Wheel Scooters manufactured before 08/08/2011.  
 B - For Three or Four Wheel Scooters manufactured after 08/07/2011.  
 C - For complete Seat Assembly, see item 3 (1164835).



# Shrouds

## Leo 3W, Leo 4W

Due to design change, Invacare recommends replacing all Blue Shrouds with Onyx Blue Shrouds on scooters manufactured after serial number 10DCT000134 in order to maintain a unified appearance.



# Shrouds

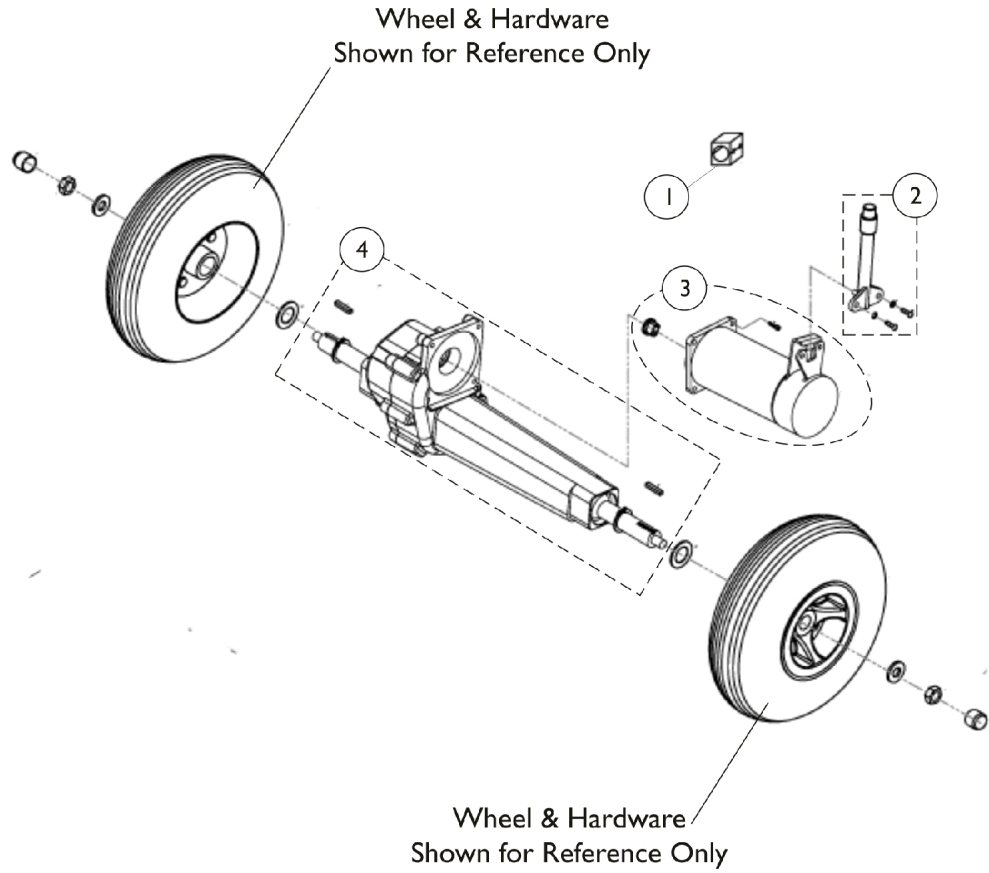
## Leo 3W, Leo 4W

**Due to design change, Invacare recommends replacing all Blue Shrouds with Onyx Blue Shrouds on scooters manufactured after serial number 10DCT000134 in order to maintain a unified appearance.**

Item Number	Note	Part Number	Description	Quantity Per	
				Package	Assembly
1	A,K	1165103	Shroud, Tiller, Rear (Leo 3W, 4W)	1	1
2	F,K	1508500	Shroud, Tiller, Front, Onyx Blue	1	1
2	G,K	1148175	Shroud, Tiller, Front, Onyx Blue (Leo 3W, 4W)	1	1
2	K	1505858	Shroud, Tiller, Front, Moonstone Silver	1	1
3	B,F,M	1164842	Shroud, Main w/ Hardware, Blue (Leo 4W)	1	1
3	G,M	1148174	Shroud, Main w/ Hardware, Onyx Blue (Leo 4W)	1	1
3	B,M	1164843	Shroud, Main w/ Hardware, Silver (Leo 4W)	1	1
4	L	1547585	Shroud, Front, Onyx Blue (Leo 3W)	1	1
4	L	1547584	Shroud, Front, Silver (Leo 3W)	1	1
5	J,L	1547590	Cover, Front Bumper w/ Hardware (Leo 3W)	1	1
6	F,M	1165105	Shroud, Rear, Blue (Leo 3W, 4W)	1	1
6	G,L,M	1148173	Shroud, Rear, Onyx Blue (Leo 3W, 4W)	1	1
6	M	1165104	Shroud, Rear, Silver (Leo 3W, 4W)	1	1
7	K	1547591	Kit, Bearings, Tiller Column	1	1
8	E,M	1506187	Bumper, Front w/ Hardware (Leo 4W)	1	1
9	D,K	1506277	Release Lever Assembly w/ Hardware	1	1
10	A,K	1164836	Fender w/ Hardware - Right/Left	1	1
11	C,K	1506312	Bumper, Rear w/ Hardware	1	1

NOTE: A - Includes (6) screws.  
 B - Includes (4) bolts. Invacare recommends replacing mats and rivets when replacing a Main Shroud. See category titled, "Baskets, Floor Mats & Reflectors" to order.  
 C - Includes (4) screws.  
 D - Includes (1) bolt, washer, spring and nut cap.  
 E - Includes (2) bolts and (3) screws.  
 F - For scooters manufactured before serial number 10DCT000135. Four Wheel (4W) Scooters Only.  
 G - For scooters manufactured after serial number 10DCT000134. Three (3W) and Four (4W) Scooters.  
 J - Includes Bumper Cover and (8) Screws.  
 K - Used with the Three Wheel and Four Wheel Scooters.  
 L - Used with the Three Wheel Scooter.  
 M - Used with the Four Wheel Scooter.

# Motor & Transaxle

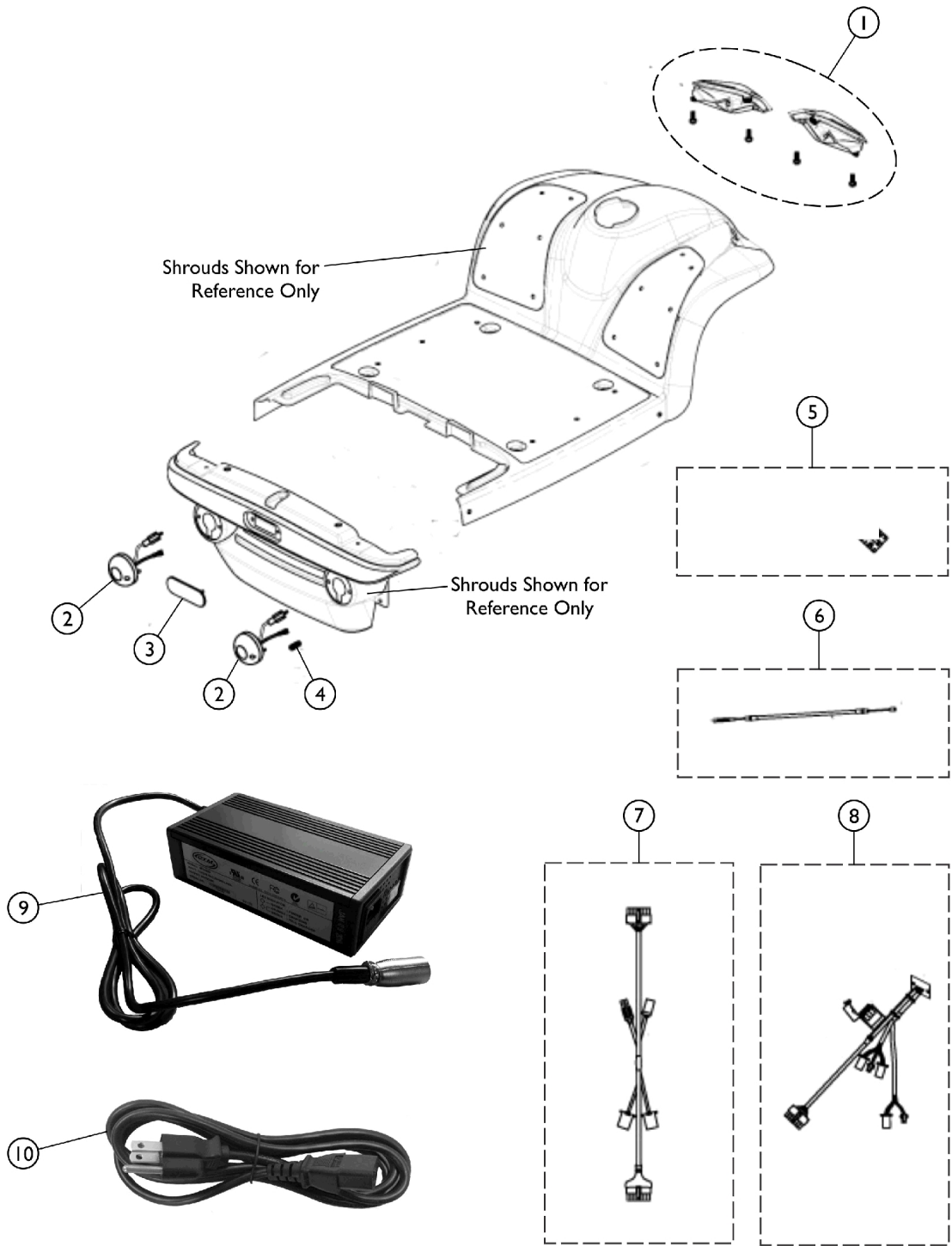


## Motor & Transaxle

Item Number	Note	Part Number	Description	Quantity Per	
				Package	Assembly
1		1164829	Core, EMI (Pair)	2	1
2	A	1506318	Lever, Brake w/ Hardware	1	1
3	B	1164828	Motor w/ Brake and Hardware	1	1
4	C	1164827	Transaxle w/ Hardware	1	1
	D	1534599	Carbon Brush	1	2
NOTE: A - Includes (2) screws and washers. B - Includes bolt and guide. C - Includes (2) key shafts. D - This item is not shown in the illustration.					

# Electronics

## Leo 3W, Leo 4W



## Electronics

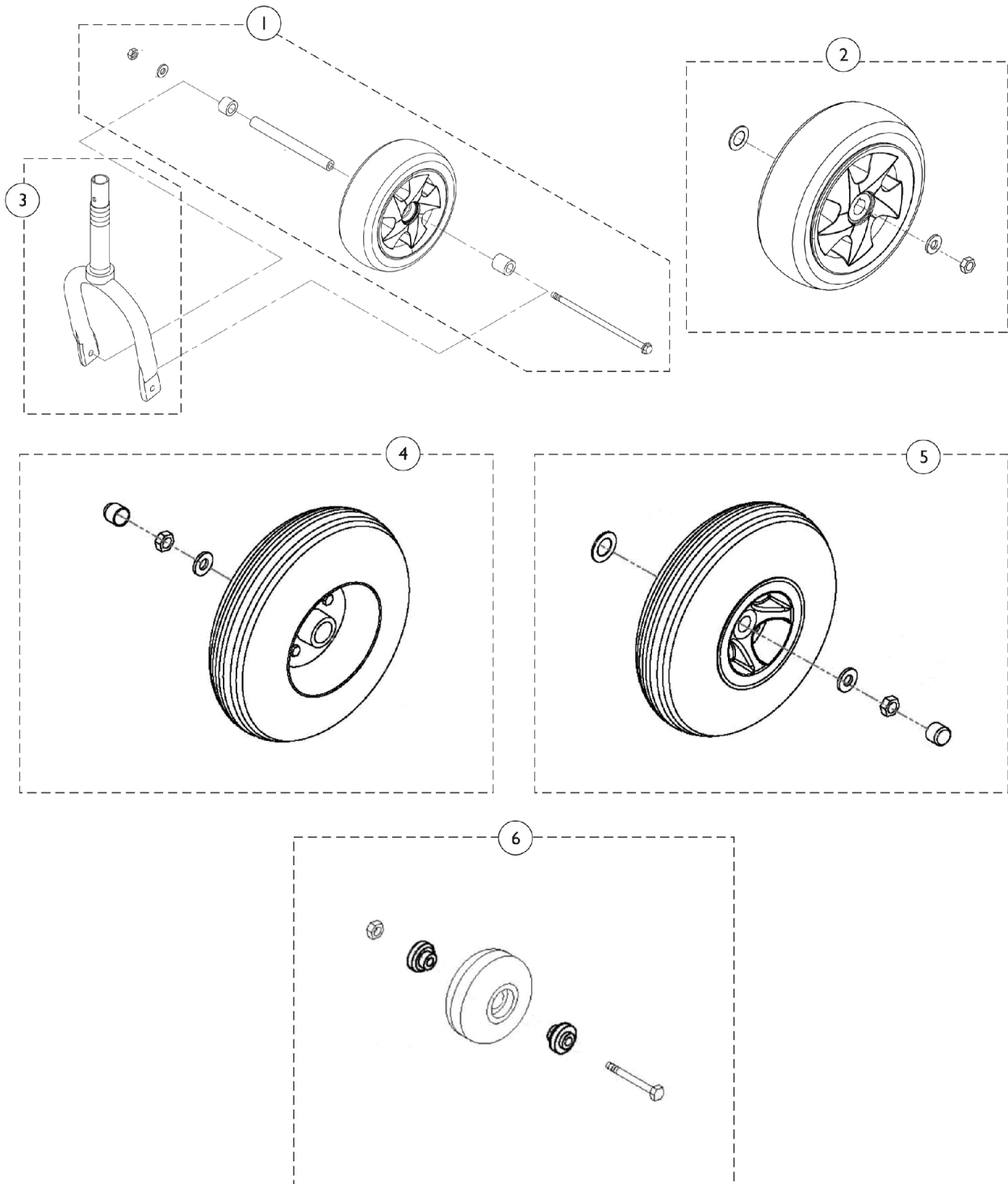
### Leo 3W, Leo 4W

Item Number	Note	Part Number	Description	Quantity Per	
				Package	Assembly
1	A,B	1173794	Headlights, Front w/ Hardware (Pair)	2	1
1	A,C	1164845	Headlights, Front w/ Hardware (Pair)	2	1
2		1164838	Signal, Rear Turn (Pair)	2	1
3		1505528	Stoplight, Rear	1	1
4		1164839	Package, Rear Light Bulb	10	2
5		1164844	Harness, Battery	1	1
6		1505295	Cable	1	1
7		1505402	Harness, Wire, Front	1	1
8		1505516	Harness, Wire, Rear	1	1
9	E	1148830	Charger, Off-Board, 24 DC (5 AMP)	1	1
10		1144798	Cable, Charger	1	1
	D	1148828	Controller R-Series (DR-90) w/ Hardware	1	1
	D	1154157	Programmer, Hand Held (DX-HHP) for DR-50 Controller	1	1

NOTE: A - Includes (4) Screws.  
 B - Used on Three Wheel Scooters.  
 C - Used on Four Wheel Scooters.  
 D - Not shown in illustration.  
 E - Charger does not include Power Cable, please order 1144798 when replacing this item.

# Wheels & Anti-Tippers

## Leo 3W, Leo 4W



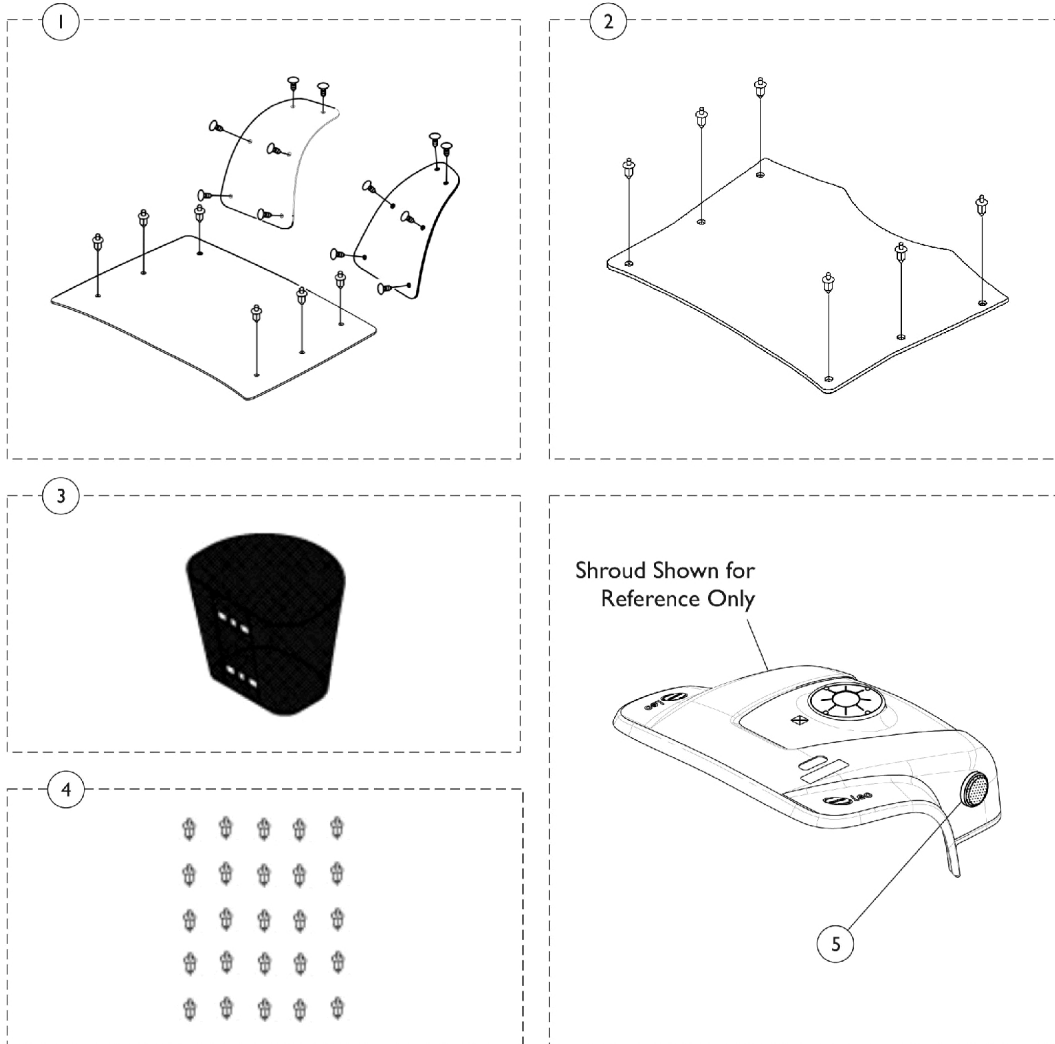
## Wheels & Anti-Tippers Leo 3W, Leo 4W

Item Number	Note	Part Number	Description	Quantity Per	
				Package	Assembly
1	A	1173791	Wheel, Front w/ Hardware	1	1
2	A	1173790	Wheel, Rear w/ Hardware (Pair)	2	1
3	A	1547307	Fork, Front Wheel	1	1
4	B	1164830	Wheel, Rear w/ Hardware (Pair)	2	1
5	B	1164832	Wheel, Front w/ Hardware (Pair)	2	1
6		1164831	Anti-Tipper (Pair)	2	1
NOTE: A - For Three Wheel Scooter only. B - For Four Wheel Scooter only.					



# Basket, Floor Mats and Accessories

## Leo 3W, Leo 4W



## Basket, Floor Mats and Accessories Leo 3W, Leo 4W

Item Number	Note	Part Number	Description	Quantity Per	
				Package	Assembly
1	B	1164840	Floor Mats w/ Hardware, Leo 4 Wheel	1	1
2	C	1547589	Floor Mats w/ Hardware, Leo 3 Wheel	1	1
3	A,D	1505414-NLA	NLA - Basket	1	1
3	A,E	1148861-NLA	NLA - Basket	1	1
3	A	1577430	Front Composite Basket	1	1
4		1164841	Package, Push Rivets	25	1
5		1164837	Reflector (Pair)	2	1
<p>NOTE: A - Additional hardware is not needed to attach basket.            B - Includes floor mats and attaching hardware. For Leo 4 Wheel Scooter only.            C - Includes floor mat and attaching hardware. For Leo 3 Wheel Scooter only.            D - Part number no longer available. See part number 1148861 as a replacement.            E - Part number no longer available. See part number 1577430 as a replacement.</p>					

**Invacare Corporation**

[www.invacare.com](http://www.invacare.com)



**Yes, you can.**

One Invacare Way  
Elyria, Oh USA  
44036-2125  
800-333-6900

Technical Support  
800-832-4707  
Customer Service  
800-333-6900

Literature Orders  
800-333-6900

© 2022 Invacare Corporation. All rights reserved. Republication, duplication or modification in whole or in part is prohibited without prior written permission from Invacare. Trademarks are identified by ™ and ®. All trademarks are owned by or licensed to Invacare Corporation or its subsidiaries unless otherwise noted. (Revised 04/20/22)

Form No. 09-088