

Portable & Transportable Concentrators

XPO2™ and SOLO2™



Yes, you can.

Parts Catalog Usage Guide

The information contained in this document is subject to change without notice. This catalog contains service parts for Form No. 09-084. If you have any questions regarding this catalog, please contact one of our Customer Service Representatives.

For Customer Service Support Call:

1-800-333-6900

For Faxed In Orders Call:

1-800-678-4682 or

1-440-366-0709

For Technical Service Call:

1-800-832-4707

Literature Can Be Found at:

www.invacare.com or

1-800-828-6272

SYMBOL DEFINITION

Throughout this catalog you will notice letters to draw your attention to specific footnotes which are located at the bottom of the page or below specified charts.

Examples:

A,B,C etc. = Special Comments

NOTE: = General information pertaining to that specific page

NLA = No Longer Available

HARDWARE MEASUREMENTS

The measurements for the hardware will be listed as follows:

Screws, Bolts Diameter X Thread Count/Pitch X Length

Washers Inside Diameter X Outside Diameter X Thickness

Spacers Inside Diameter X Outside Diameter X Length

For your convenience, we have supplied an area for you to list your Invacare Representatives.

| Name | Phone Numbers |
|------|---------------|
| | |
| | |
| | |
| | |
| | |

© 2022 Invacare Corporation, Elyria, Ohio. Invacare, the Medallion Design, Yes, you can. are registered trademarks of the Invacare Corporation. XPO2 and SOLO2 are trademarks of Invacare Corporation. Palnut is a registered trademark of Transtechnology Corporation. Tygon is a registered trademark of Norton Company. Information is subject to change without notification.

TABLE of CONTENTS

| Description | Page Number |
|---|--------------------|
| 01. XPO2 Packaging and Literature (SN Before 15CF009500) | 3 |
| 02. XPO2 Packaging and Literature (SN 15CF009500 and later) | 4 |
| 03. XPO2 Portable Concentrator (SN Before 15CF009500) | 5 |
| 04. XPO2 Portable Concentrator (SN 15CF009500 and later) | 7 |
| 05. XPO2 Shroud Components (SN 15CF009500 and later) | 9 |
| 06. XPO2 Front Assembly (SN 15CF009500 and later) | 11 |
| 07. XPO2 Power Inlet (SN 15CF009500 and later) | 13 |
| 08. SOLO2 Packaging and Literature | 15 |
| 09. SOLO2 Transportable Concentrator | 16 |

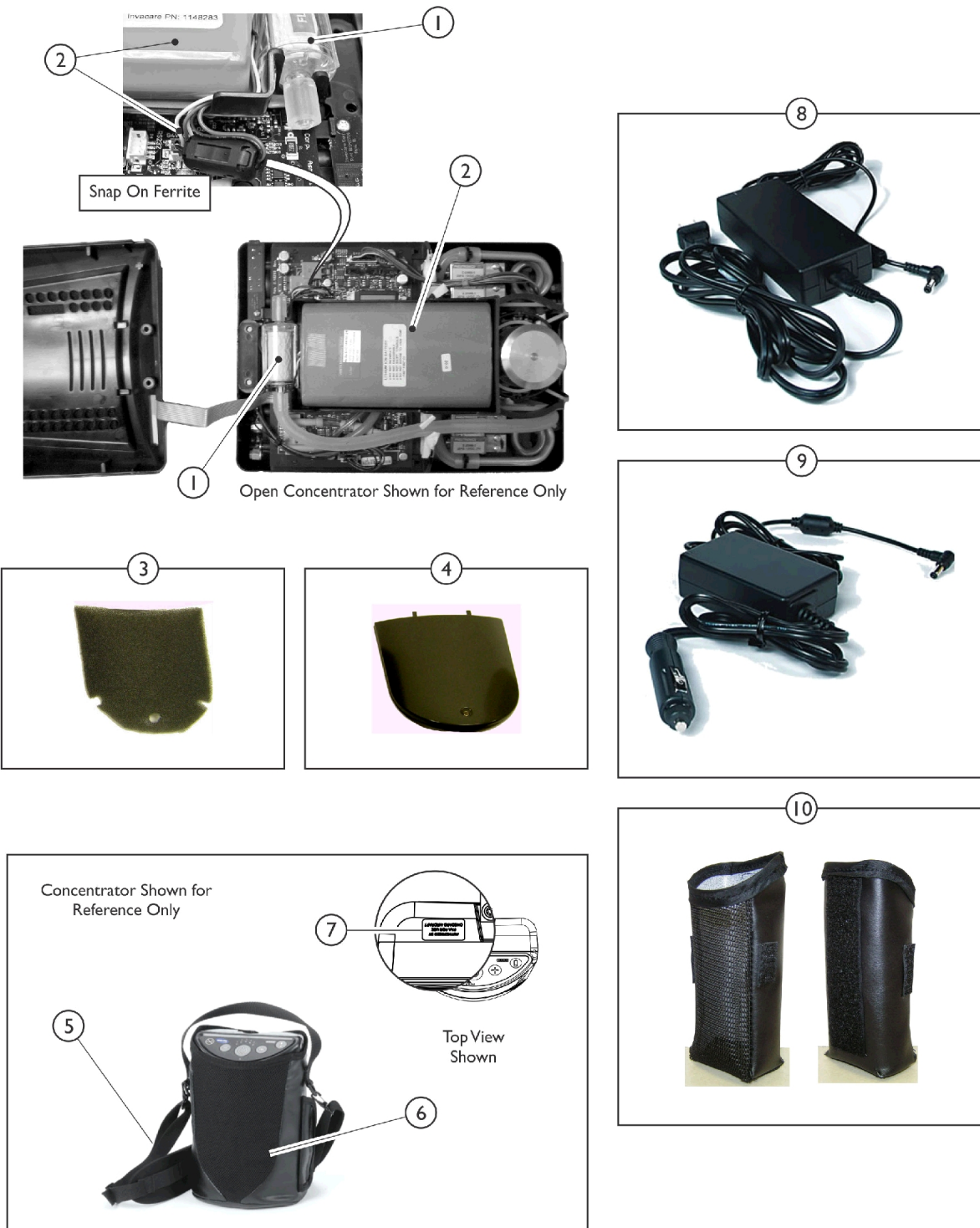
XPO2 Packaging and Literature (SN Before 15CF009500)

| Item Number | Note | Part Number | Description | Quantity Per | |
|--|-------|-------------|-----------------------------------|--------------|----------|
| | | | | Package | Assembly |
| | A | 1148112 | Owner's Manual, XPO2 | 1 | 1 |
| | A,B,F | 1165490-NLA | NLA - Carton w/ Inserts | 1 | 1 |
| | | 1184129 | Kit, Carton w/ Inserts | 1 | 1 |
| | A,D | 1163886 | Carton Assembly | 1 | 1 |
| | A,C | 1156874 | Instruction Sheet, Cart | 1 | 1 |
| | A,E | 1168369 | Label, Over Laminate, Clear Mylar | 1 | 1 |
| <p>NOTE: A - Not Shown. B - Used for XPO2 model. Carton Assembly includes the Inner Carton, Carton Cardboard with Foam and Tray with Foam Insert C - Used for SOLO2 model. D - Used for SOLO2. Includes Carton w/ Handles, Foam Inserts and Carton Tray. E - Used for XPO2 model. F - No Longer Available, use 1184129 as its replacement.</p> <p>NOTE: When adjusting or replacing parts, refer to your Owner's Manual for assistance.</p> | | | | | |

XPO2 Packaging and Literature (S/N 15CF009500 and later)

| Item Number | Note | Part Number | Description | Quantity Per | |
|---|------|-------------|------------------------|--------------|----------|
| | | | | Package | Assembly |
| 1 | A | 1184129 | Kit, Carton w/ Inserts | 1 | 1 |
| NOTE: A - Kit includes Shipping Carton, Lower Insert, and Tray Insert. No illustration. | | | | | |

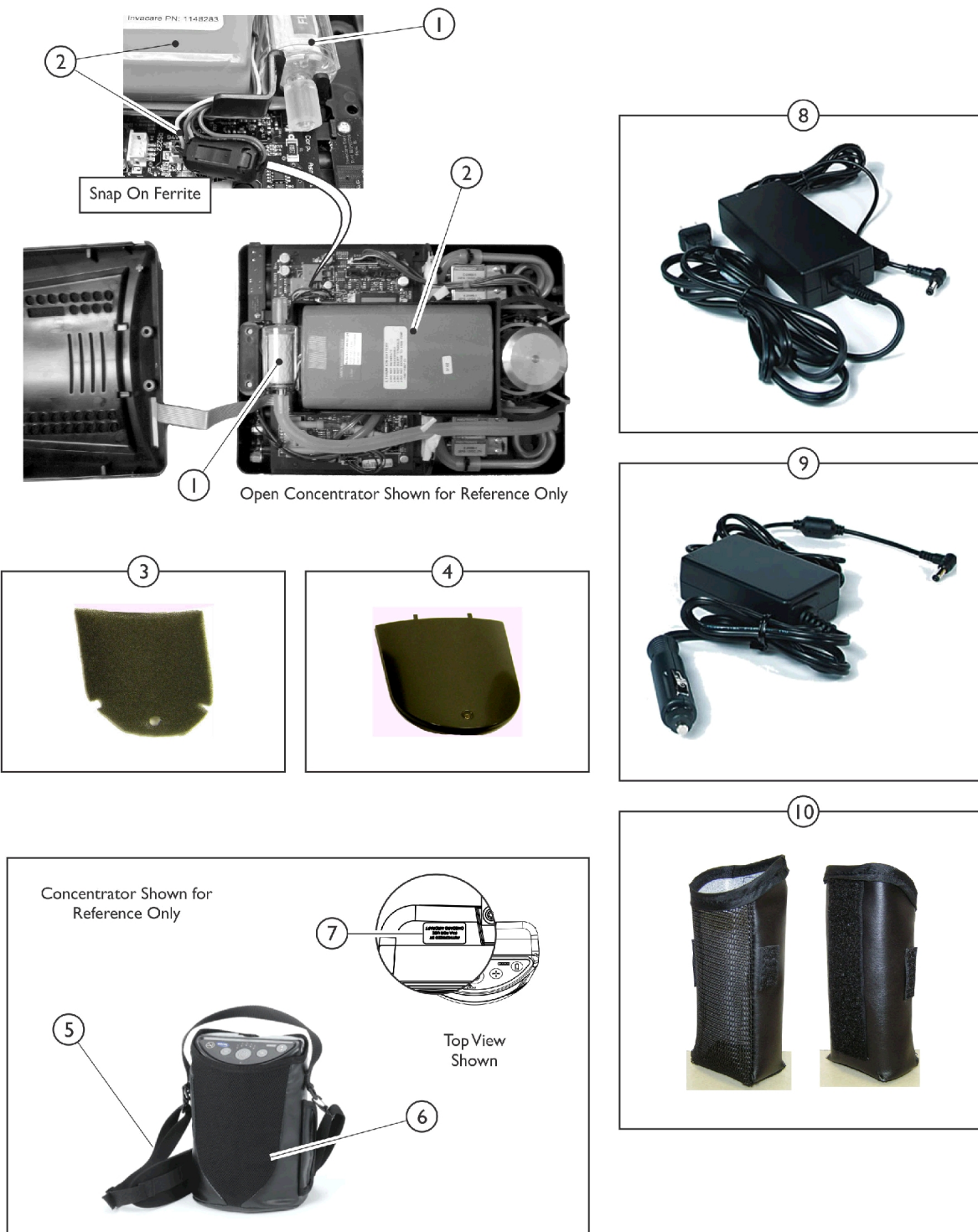
XPO2 Portable Concentrator (SN Before 15CF009500)



XPO2 Portable Concentrator (SN Before 15CF009500)

| Item Number | Note | Part Number | Description | Quantity Per | |
|---|--------------|-------------|---------------------------------|--------------|------------------------|
| | | | | Package | Assembly |
| 1 | A | 1157693 | Kit, Inlet Filter | 1 | 1 |
| | | | Filter, Inlet | 1 | 1 |
| | | | Seal, Notice | 1 | 1 |
| 2 | B | 1157695 | Kit, Battery | 1 | 1 |
| | | | Internal Battery Pack Assembly | 1 | 1 |
| | | | Seal, Notice | 1 | 1 |
| | | | Ferrite, Snap On | 1 | 1 |
| | | | Instruction Sheet, Battery | 1 | 1 |
| | | | D | 1157694-NLA | NLA - Kit, Pad w/ Seal |
| | Seal, Notice | 1 | | | 1 |
| 3 | | 1157692 | Package, Gross Particle Filters | 10 | 1 |
| 4 | | 1152790 | Cover, Filter | 1 | 1 |
| 5 | | 1154103 | Strap, Shoulder Bag | 1 | 1 |
| 6 | | XPO150 | Carry Bag Assembly | 1 | 1 |
| 7 | C | 1163456 | Package, Label, FAA | 100 | 1 |
| 8 | | XPO130 | Adapter, AC/DC Plug | 1 | 1 |
| 9 | | XPO140 | Adaptor, DC/DC, Car | 1 | 1 |
| 10 | | 1151852 | Pouch, External Battery | 1 | 1 |
| <p>NOTE: A - Kit includes the Inlet Filter and Notice Seal B - Kit includes the Internal Battery Pack Assembly and Instruction Sheet C - As of 5/1/2009 all XPO2 concentrators have an FAA Approved label attached to the unit when it is shipped D - Pad is not shown, it is located under the Internal Battery. When replacing pad you will need to replace the Notice Seal on the unit as well.</p> | | | | | |

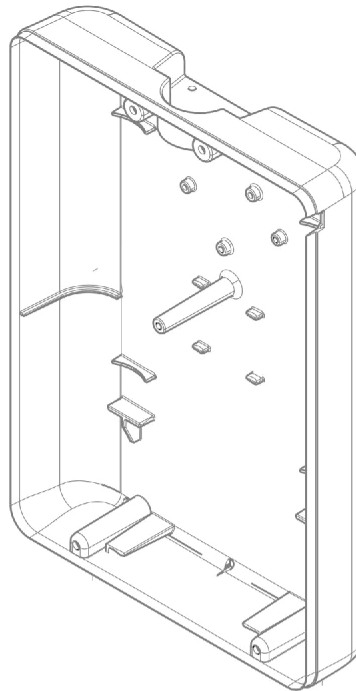
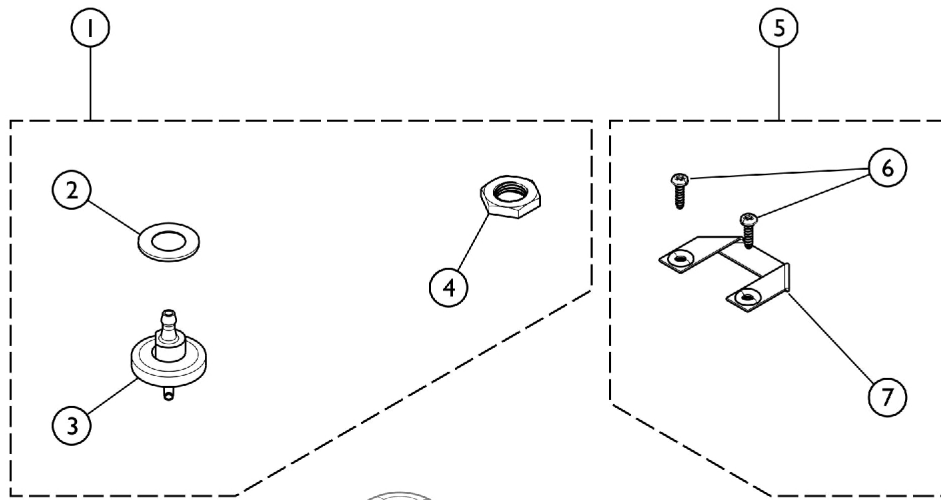
XPO2 Portable Concentrator (SN 15CF009500 and later)



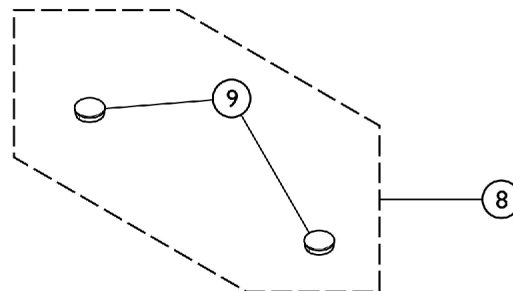
XPO2 Portable Concentrator (SN 15CF009500 and later)

| Item Number | Note | Part Number | Description | Quantity Per | |
|---|------|-------------|------------------------------------|--------------|----------|
| | | | | Package | Assembly |
| 1 | A | 1157693 | Kit, Inlet Filter | 1 | 1 |
| | | | Filter, Inlet | 1 | 1 |
| | | | Seal, Notice | 1 | 1 |
| 2 | B | 1185331 | Kit, Battery Pack, Internal, XPO2 | 1 | 1 |
| | | | Battery Pack, Internal | 1 | 1 |
| | | | Seal, Notice | 1 | 1 |
| | | | Ferrite, Snap On | 1 | 1 |
| | | | Instruction Sheet, XPO2 Battery | 1 | 1 |
| | | | Label, Lithium Battery Handling | 1 | 1 |
| | | | Instruction Guide, Battery Charger | 1 | 1 |
| | D | 1157694-NLA | NLA - Kit, Pad w/ Seal | 1 | 1 |
| | | | Seal, Notice | 1 | 1 |
| | | | Pad, Thermally Conductive (1/8") | 1 | 1 |
| 3 | | 1157692 | Package, Gross Particle Filters | 10 | 1 |
| 4 | | 1152790 | Cover, Filter | 1 | 1 |
| 5 | | 1154103 | Strap, Shoulder Bag | 1 | 1 |
| 6 | | XPO150 | Carry Bag Assembly | 1 | 1 |
| 7 | C | 1163456 | Package, Label, FAA | 100 | 1 |
| 8 | | XPO130 | Adapter, AC/DC Plug | 1 | 1 |
| 9 | | XPO140 | Adaptor, DC/DC, Car | 1 | 1 |
| 10 | | 1151852 | Pouch, External Battery | 1 | 1 |
| <p>NOTE: A - Kit includes the Inlet Filter and Notice Seal B - Kit includes the Internal Battery Pack Assembly and Instruction Sheet C - As of 5/1/2009 all XPO2 concentrators have an FAA Approved label attached to the unit when it is shipped D - Pad is not shown, it is located under the Internal Battery. When replacing pad you will need to replace the Notice Seal on the unit as well.</p> | | | | | |

Shroud Components (SN 15CF009500 and later)



**Rear Shroud Shown
for Reference Only**



SRE_006A

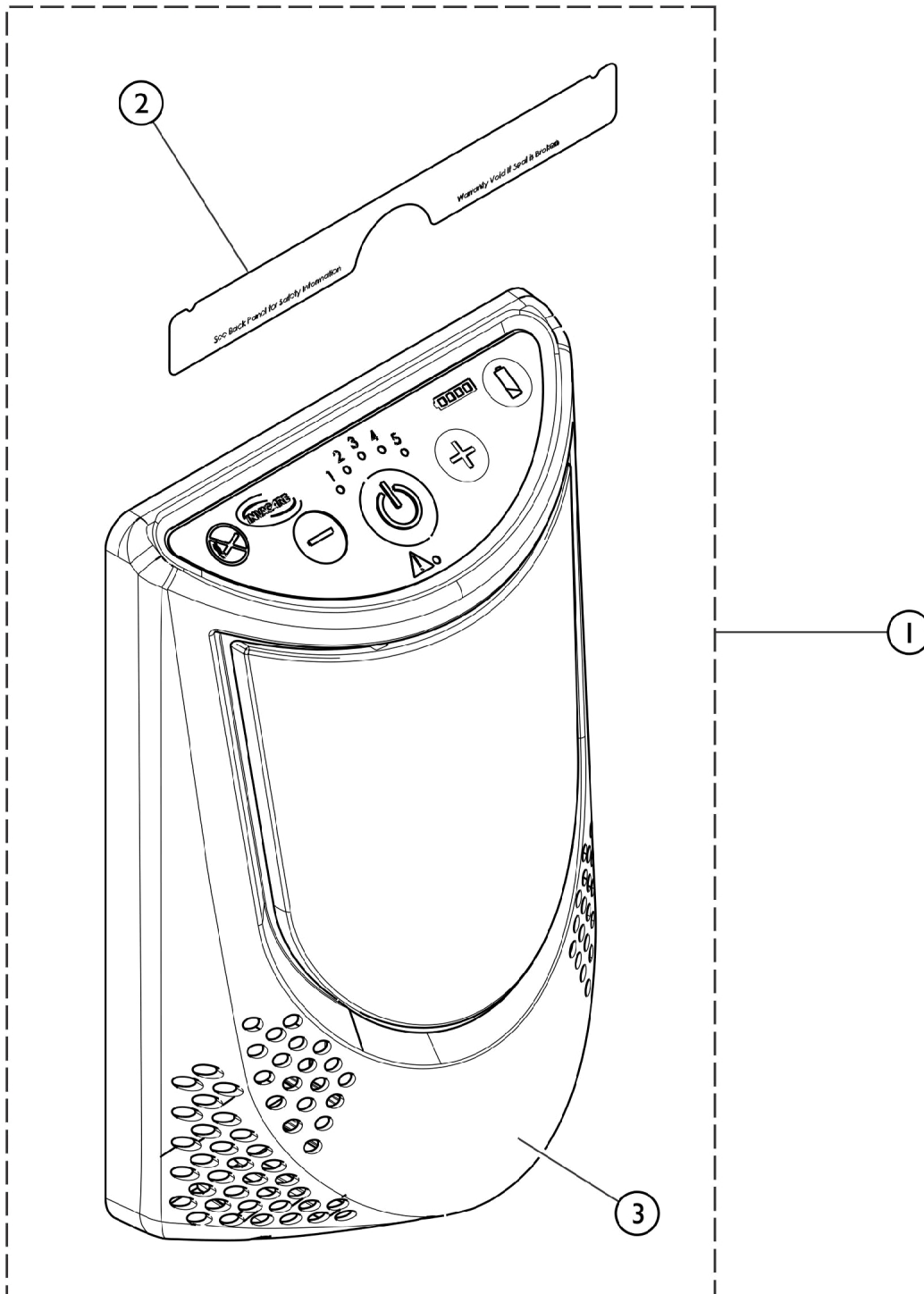
Shroud Components (SN 15CF009500 and later)

| Item Number | Note | Part Number | Description | Quantity Per | |
|-------------|------|-------------|--------------------------------------|--------------|----------|
| | | | | Package | Assembly |
| 1 | A | 1185319 | Kit, HEPA Filter, XPO2 | 1 | 1 |
| 2 | | | Washer (.56 x 1.00 x .063) | 1 | 5 |
| 3 | | | Outlet, HEPA Filter | 1 | 5 |
| 4 | | | Nut, Nylon, Black (9/16-18) | 1 | 5 |
| | | | Seal, Notice | 1 | 5 |
| 5 | B | 1166963 | Kit, Pull Strap | 1 | 1 |
| 6 | | | Screw, Pan Head, Torx (6-19 x 1/2) | 1 | 2 |
| 7 | | | Pull Strap | 1 | 1 |
| 8 | C | 1185323 | Kit, Bumper | 1 | 1 |
| 9 | | | Bumper, Adhesive Backed, Rubber Dome | 1 | 9 |

NOTE: A - Kit includes items 2, 3, and 4.
 B - Kit includes items 6 and 7.
 C - Kit includes item 9.

XPO2 Front Assembly (SN 15CF009500 and later)

Kit Number 1185324 is used with XPO2 built prior to SN 15CF009500.



SRE_008A

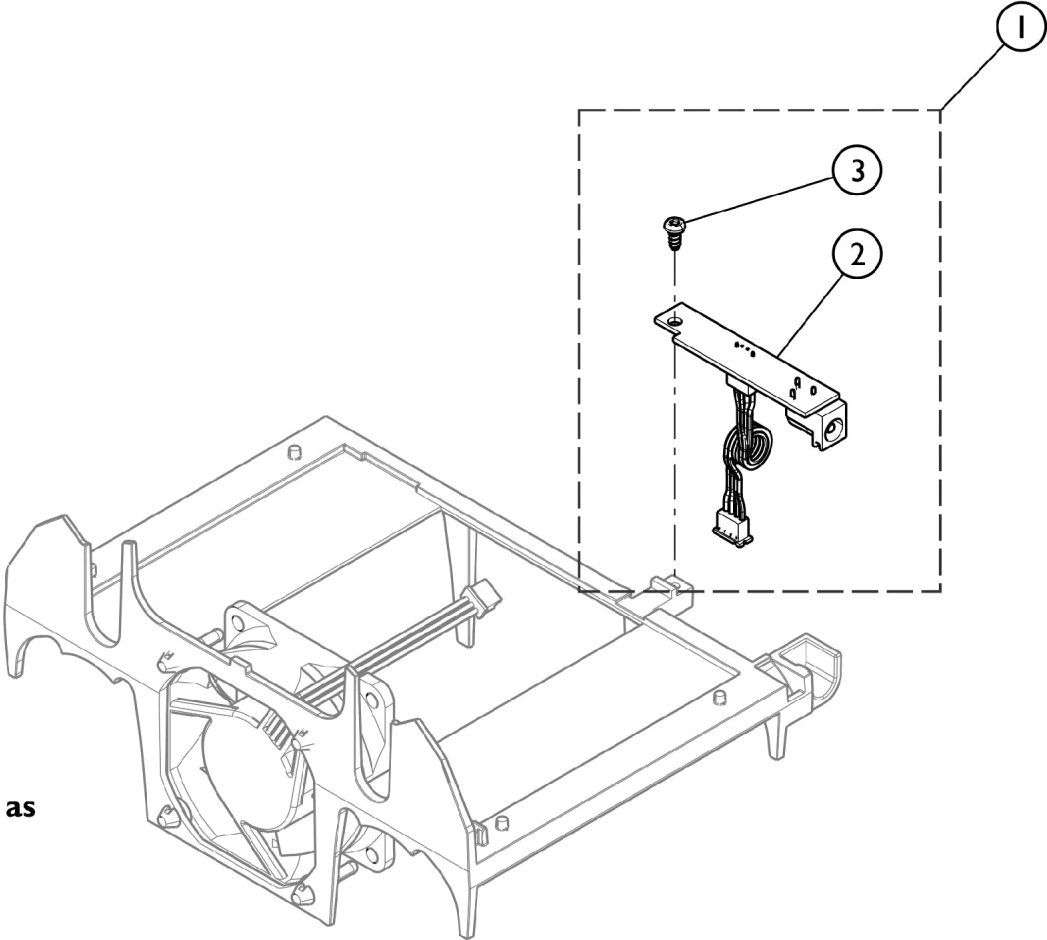
XPO2 Front Assembly (SN 15CF009500 and later)

Kit Number 1185324 is used with XPO2 built prior to SN 15CF009500.

| Item Number | Note | Part Number | Description | Quantity Per | |
|--|------|-------------|---------------------------|--------------|----------|
| | | | | Package | Assembly |
| 1 | A,B | 1185320 | Kit, Upper Assembly, XPO2 | 1 | 1 |
| 2 | | | Seal, Notice | 1 | 1 |
| 3 | | | Front Assembly, XPO2 | 1 | 1 |
| 1 | A,C | 1185324 | Kit, Upper Assembly, XPO2 | 1 | 1 |
| 2 | | | Seal, Notice | 1 | 1 |
| 3 | | | Front Assembly, XPO2 | 1 | 1 |
| NOTE: A - Kit includes items 2 and 3. B - Used with XPO2 Concentrators built after Serial Number 15CF009500. C - Used with XPO2 Concentrators built before Serial Number 15CF009500. | | | | | |

XPO2 Power Inlet (SN 15CF009500 and later)

Kit Number 1185325 is used with XPO2 built prior to SN 15CF009500.



Support Shown as Reference

SRE_007A

XPO2 Power Inlet (SN 15CF009500 and later)

Kit Number 1185325 is used with XPO2 built prior to SN 15CF009500.

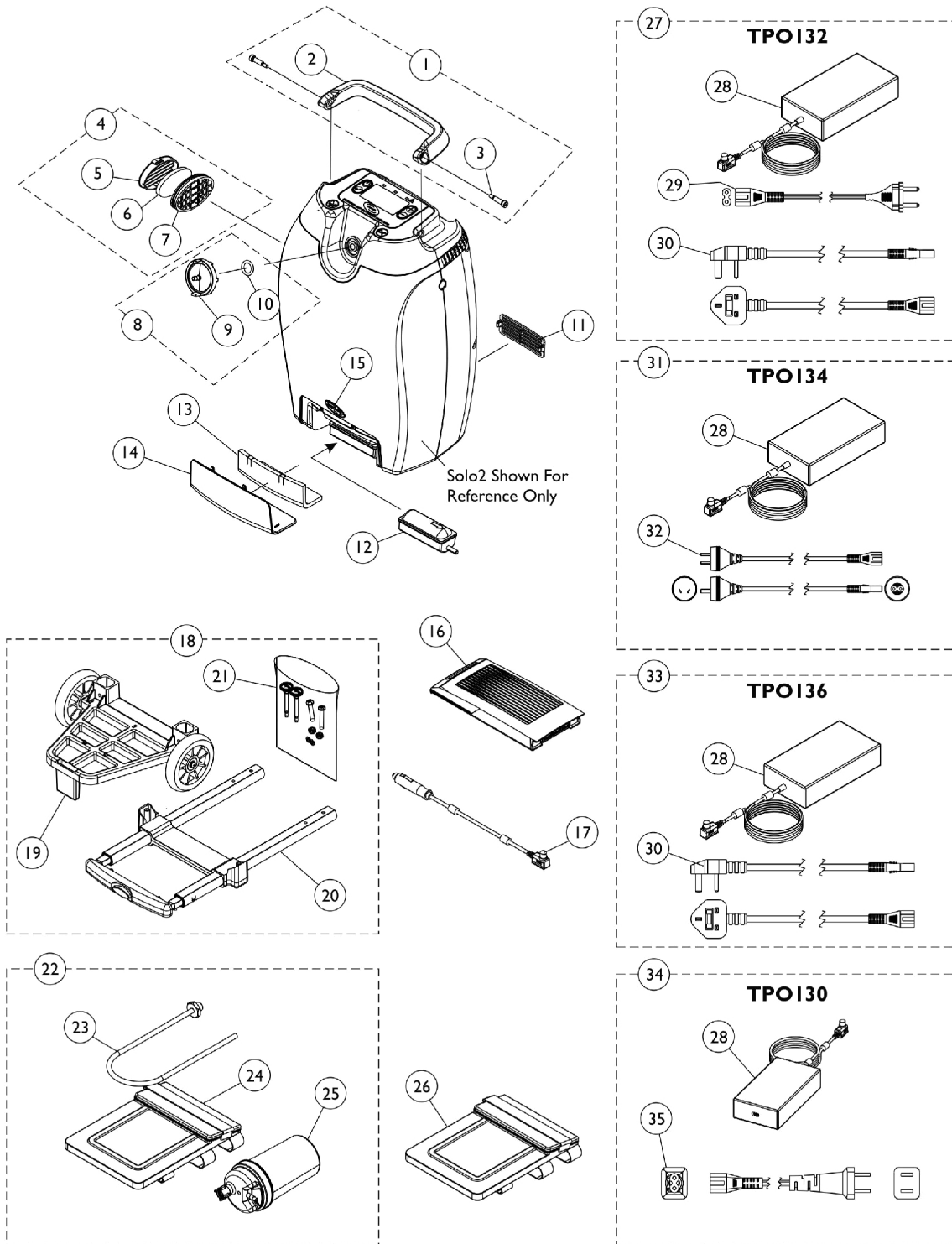
| Item Number | Note | Part Number | Description | Quantity Per | |
|-------------|------|-------------|------------------------------------|--------------|----------|
| | | | | Package | Assembly |
| 1 | A | 1185321 | Kit, Power Inlet, DC Jack, XPO2 | 1 | 1 |
| 2 | | | Power Inlet, PCB, XPO2 | 1 | 1 |
| 3 | | | Screw, Pan Head, Torx (4-20 x 1/4) | 1 | 1 |
| | | | Seal, Notice | 1 | 1 |
| 1 | A | 1185325 | Kit, Power Inlet, DC Jack, XPO2 | 1 | 1 |
| 2 | | | Power Inlet, PCB, XPO2 | 1 | 1 |
| 3 | | | Screw, Pan Head, Torx (4-20 x 1/4) | 1 | 1 |
| | | | Seal, Notice | 1 | 1 |

NOTE: A - Kit includes items 2, 3, and Seal Notice.

SOLO2 Packaging and Literature

| Item Number | Note | Part Number | Description | Quantity Per | |
|--|-------|-------------|-----------------------------------|--------------|----------|
| | | | | Package | Assembly |
| | A | 1156872 | Owner's Manual, SOLO2 | 1 | 1 |
| | A,B,F | 1165490-NLA | NLA - Carton w/ Inserts | 1 | 1 |
| | | 1184129 | Kit, Carton w/ Inserts | 1 | 1 |
| | A,D | 1163886 | Carton Assembly | 1 | 1 |
| | A | 1163220 | Guide, Quick Reference, SOLO2 | 1 | 1 |
| | A,C | 1156874 | Instruction Sheet, Cart | 1 | 1 |
| | A,E | 1168369 | Label, Over Laminate, Clear Mylar | 1 | 1 |
| <p>NOTE: A - Not Shown. B - Used for XPO2 model. Carton Assembly includes the Inner Carton, Carton Cardboard with Foam and Tray with Foam Insert C - Used for SOLO2 model. D - Used for SOLO2. Includes Carton w/ Handles, Foam Inserts and Carton Tray. E - Used for XPO2 model. F - No Longer Available. Use 1184129 as its replacement.</p> <p>NOTE: When adjusting or replacing parts, refer to your Owner's Manual for assistance.</p> | | | | | |

SOLO2 Transportable Concentrator



SOLO2 Transportable Concentrator

| Item Number | Note | Part Number | Description | Quantity Per | |
|-------------|------|-------------|---|--------------|----------|
| | | | | Package | Assembly |
| 1 | A | 1164371 | Kit, Handle with Hardware | 1 | 1 |
| 2 | | | Handle | 1 | 1 |
| 3 | | | Screw, Socket Head (1/4 x 3/4") | 1 | 2 |
| 4 | B | 1156861 | Inlet Vent Assembly | 1 | 1 |
| 5 | | | Cover, Inlet Vent | 1 | 1 |
| 6 | | | Filter, Inlet | 1 | 1 |
| 7 | | | Vent, Inlet | 1 | 1 |
| 6 | | 1165095 | Package, Inlet Filter | 10 | 1 |
| 8 | C | 1182068 | Kit, Patient Outlet Filter | 1 | 1 |
| 9 | | | Outlet, Firestop Fitting | 1 | 1 |
| 10 | | | O-Ring (19/32 x 7/8 x 1/8") | 1 | 1 |
| 11 | | 1156867 | Vent, Exhaust | 1 | 1 |
| 12 | | 1157083 | Filter, Inlet, Compressor | 1 | 1 |
| 13 | | 1156844 | Foam Insert, Inlet Filter Compressor Door | 1 | 1 |
| 14 | | 1156856 | Door, Inlet Filter Compressor | 1 | 1 |
| 15 | | 1090146 | NLA - Decal, Invacare 3-D Logo (1-19/32" L) | 1 | 1 |
| 16 | D | TPO110 | Kit, Battery | 1 | 1 |
| 17 | | TPO140 | Adapter, DC/DC, Car | 1 | 1 |
| 18 | E | TPO120 | Kit, Cart Replacement | 1 | 1 |
| 19 | | | Base, Cart | 1 | 1 |
| 20 | | | Handle, Cart | 1 | 1 |
| 21 | | | NLA - Hardware, Cart Assembly | 1 | 1 |
| | | | Instruction Sheet, Cart | 1 | 1 |
| | H,M | 1163196-NLA | NLA - Instruction Sheet, Cart, International | 1 | 1 |
| 21 | G | 1157046-NLA | NLA - Hardware, Cart Assembly | 1 | 1 |
| 22 | F | TPO170 | Kit, Humidifier Bottle, Adapter and Accessory Bag | 1 | 1 |
| 23 | | | Adapter, Humidifier Bottle | 1 | 1 |
| 24 | | | Bag, Accessory | 1 | 1 |
| 25 | | | Bottle, Humidifier | 1 | 1 |
| 23 | | 1165381 | Adapter, Humidifier Bottle | 1 | 1 |
| 26 | | TPO160 | Bag, Accessory | 1 | 1 |
| 27 | I | TPO132 | Kit, Adapter, AC/DC Power Plug, EU | 1 | 1 |
| 28 | | | Adapter, AC/DC Power Plug | 1 | 1 |
| 29 | | | Power Cord, Line, 2P, Europe | 1 | 1 |
| 30 | | | EU - Power Cord, Line, 2P, United Kingdom | 1 | 1 |
| 31 | J | TPO134 | Kit, Adapter, AC/DC Power Plug, Australia | 1 | 1 |
| 28 | | | Adapter, AC/DC Power Plug | 1 | 1 |
| 32 | | | Power Cord, Line, 2P, Australia | 1 | 1 |
| 33 | K | TPO136 | Kit, Adapter, AC/DC Power Plug, United Kingdom | 1 | 1 |
| 28 | | | Adapter, AC/DC Power Plug | 1 | 1 |
| 30 | | | EU - Power Cord, Line, 2P, United Kingdom | 1 | 1 |
| 34 | N | TPO130 | Kit, Adapter, AC/DC Power Plug | 1 | 1 |
| 28 | | | Adapter, AC/DC Power Plug | 1 | 1 |
| 35 | | | Power Cord, Line, 2P, United States | 1 | 1 |

SOLO2 Transportable Concentrator

| Item Number | Note | Part Number | Description | Quantity Per | |
|--|------|-------------|---|--------------|----------|
| | | | | Package | Assembly |
| 29 | | 1152805 | Power Cord, Line, 2P, Europe | 1 | 1 |
| 30 | | 1160791 | EU - Power Cord, Line, 2P, United Kingdom | 1 | 1 |
| 32 | | 1160792 | Power Cord, Line, 2P, Australia | 1 | 1 |
| 35 | | 1151816 | Power Cord, Line, 2P, United States | 1 | 1 |
| | L,M | 1165085 | Kit, Labels, Product Overlay | 1 | 1 |
| | L,M | 1165086 | Kit, Labels, Battery Overlay | 1 | 1 |
| | L,M | 1164926 | Kit, Labels, Top Overlay | 1 | 1 |
| | L,M | 1167619 | Kit, Labels, Warning Do Not Ship | 1 | 1 |
| | L | 1159909 | Label, FAA Transport | 1 | 1 |
| | M | 1179328 | Kit, Label, Solo2 Control Panel (USA) | 1 | 1 |
| | | | Instruction Sheet, Label, Solo2 Control Panel (USA) | 1 | 1 |
| | | | Label, Control Panel, Solo2 (USA) | 1 | 1 |
| <p>NOTE: A - Kit includes items 2 and 3 B - Kit includes items 5-7 C - Kit includes items 9 and 10 D - Kit includes the Battery Box with (3) Battery Packs inside. Individual Battery Packs are non-serviceable. E - Kit includes items 19-21 and Instruction Sheet. The International Instruction Sheet is not included F - Kit includes items 23-25 G - Hardware includes (2) ea. #8-32 Retainer Washers, (2) ea. Cart Thumb Screws, (2) ea. Phillips Button Head Screws and (2) ea. 1/4-20 Locknuts H - Languages contained in the Cart Instruction Sheet are English, Italian, Dutch, French, German, Spanish, Norwegian, Swedish, Danish, Portuguese, Greek I - Includes items 28-30 J - Includes items 28 and 32 K - Includes items 28 and 30 L - Languages contained in kit are Italian, Dutch, French, German, Spanish, Norwegian, Swedish, Danish, Portuguese, Greek M - Not Shown N - Includes items 28 and 35.</p> | | | | | |

Invacare Corporation

www.invacare.com



Yes, you can.

One Invacare Way
Elyria, Oh USA
44036-2125
800-333-6900

Technical Support
800-832-4707
Customer Service
800-333-6900

Literature Orders
800-333-6900

© 2022 Invacare Corporation. All rights reserved. Republication, duplication or modification in whole or in part is prohibited without prior written permission from Invacare. Trademarks are identified by TM and ©. All trademarks are owned by or licensed to Invacare Corporation or its subsidiaries unless otherwise noted. (Revised 03/15/22)

Form No. 09-084