

**Aquatec® Series Bath Lifts
Aquatec® F, Aquatec® R
Aquatec® XL
Canada**



Yes, you can.

Parts Catalogue Usage Guide

The information contained in this document is subject to change without notice. This catalogue contains service parts for Form No. 08-630C. If you have any questions regarding this catalogue, please contact one of our Customer Service Representatives.

For Customer Service Support Call:

1-800-668-5324 or 1-905-890-8300

For Faxed In Orders Call:

1-800-668-5478 or

1-905-890-5244

For Technical Service Call:

1-800-668-5324 x2655

For Orders:

canadaorders@invacare.com

Literature: www.invacare.ca or 1-800-668-5324

SYMBOL DEFINITION

Throughout this catalog you will notice letters to draw your attention to specific footnotes which are located at the bottom of the page or below specified charts.

Examples:

A,B,C etc. = Special Comments

NOTE: = General information pertaining to that specific page

NLA = No Longer Available

HARDWARE MEASUREMENTS

The measurements for the hardware will be listed as follows:

Screws, Bolts Diameter X Thread Count/Pitch X Length

Washers Inside Diameter X Outside Diameter X Thickness

Spacers Inside Diameter X Outside Diameter X Length

For your convenience, we have supplied an area for you to list your Invacare Representatives.

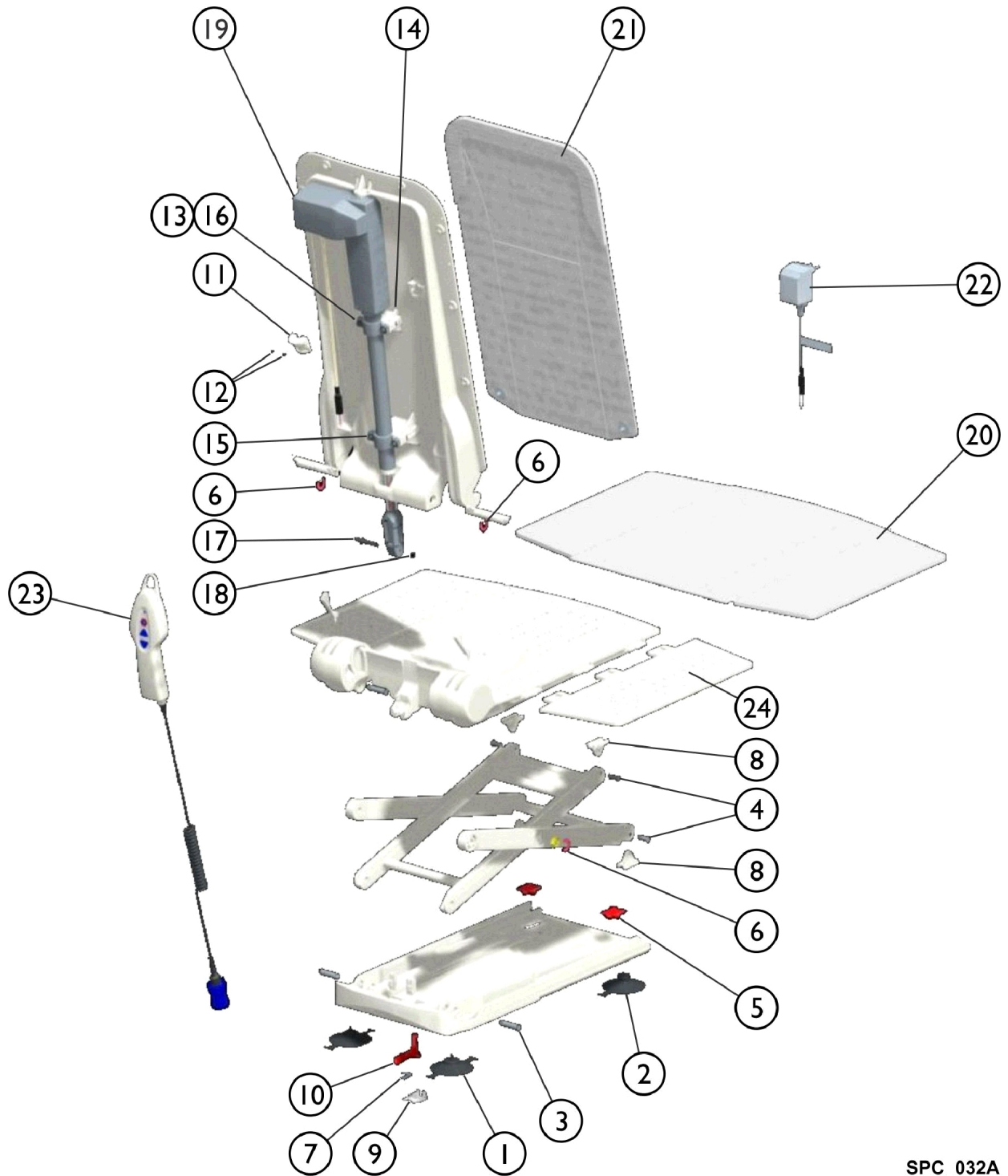
Name	Phone Numbers

© 2022 Invacare Corporation, Elyria, Ohio. Invacare, the Medallion Design and Yes, you can. are registered trademarks of the Invacare Corporation. Information is subject to change without notification.

TABLE of CONTENTS

Description	Page Number
Aquatec F - Fixed Back Bath Lift	3
Aquatec R - Reclining Back Bath Lift	5
Aquatec XL - Heavy Duty Bath Lift	7

Aquatec F - Fixed Back Bath Lift

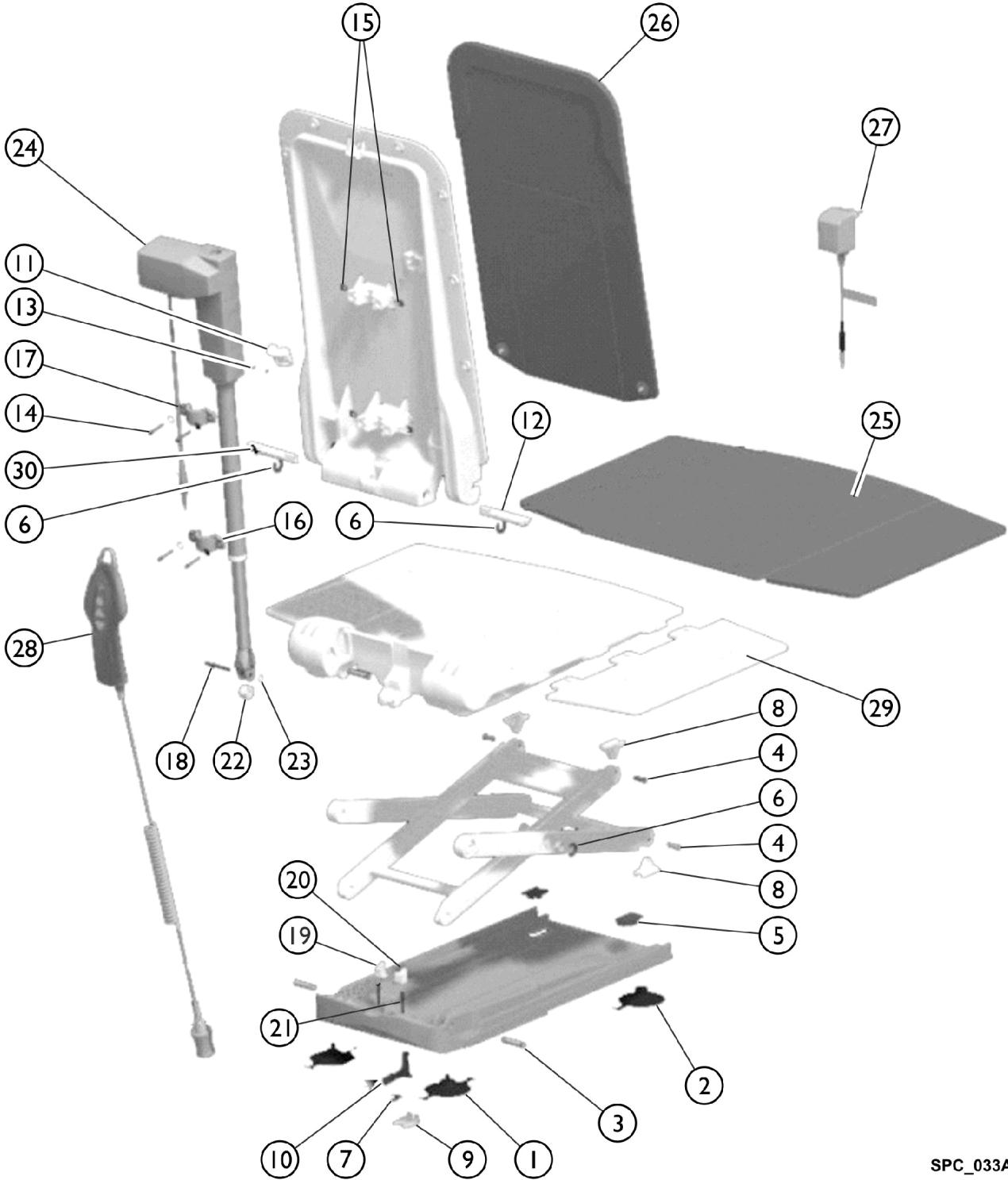


SPC_032A

Aquatec F - Fixed Back Bath Lift

Item Number	Note	Part Number	Description	Quantity Per	
				Package	Assembly
1+2		15353	Cups, Suction, Screw-In and Toggle (Set) (8 cm)	4	1
3		16679	Bolt (10mm)	1	4
4		15105	Bolt for Gliding Shoe	1	4
5		15121	Cap for Suction Cup	1	2
6		15344	Washer, Securing	1	2
7		15415	Spring	1	1
8		16446	Shoe, Gliding	1	4
9		16448	Latch, Bushing	1	1
10		16649	Latch	1	1
11		16455	Holding Device (Excluding Screws)	1	1
12		15348	Screws, Phone Jack (40 x 22)	1	2
13		16781	Lens Head Screw DIN 7985, M5 x 30	1	4
14		16779	Nut for Actuator Fastening	1	4
15		16778	Clamp, Pipe, Actuator Fastening	1	2
16		16780	Washer A2 DIN 9021	1	4
17		16793	Axle	1	1
18		16456	Ring, Retaining, A2	1	2
19		1471060	Actuator, Aquatec F	1	1
20		16606	Cover, Seat, White	1	1
21		16604	Cover, Backrest, White	1	1
22		16580	Charger, Battery	1	1
23		1470902	Hand Control, Complete	1	1
24		15892	Flap, Side with Film Hinge	1	2
		1470576	Cover Set, Seat and Backrest, White	1	1
		1563010	Frame, Backrest, Orca (Lifts built after May 2015)	1	1
		1580158	Backrest and Seat Plate (Lifts built Before May 2015)	1	1

Aquatec R - Reclining Back Bath Lift

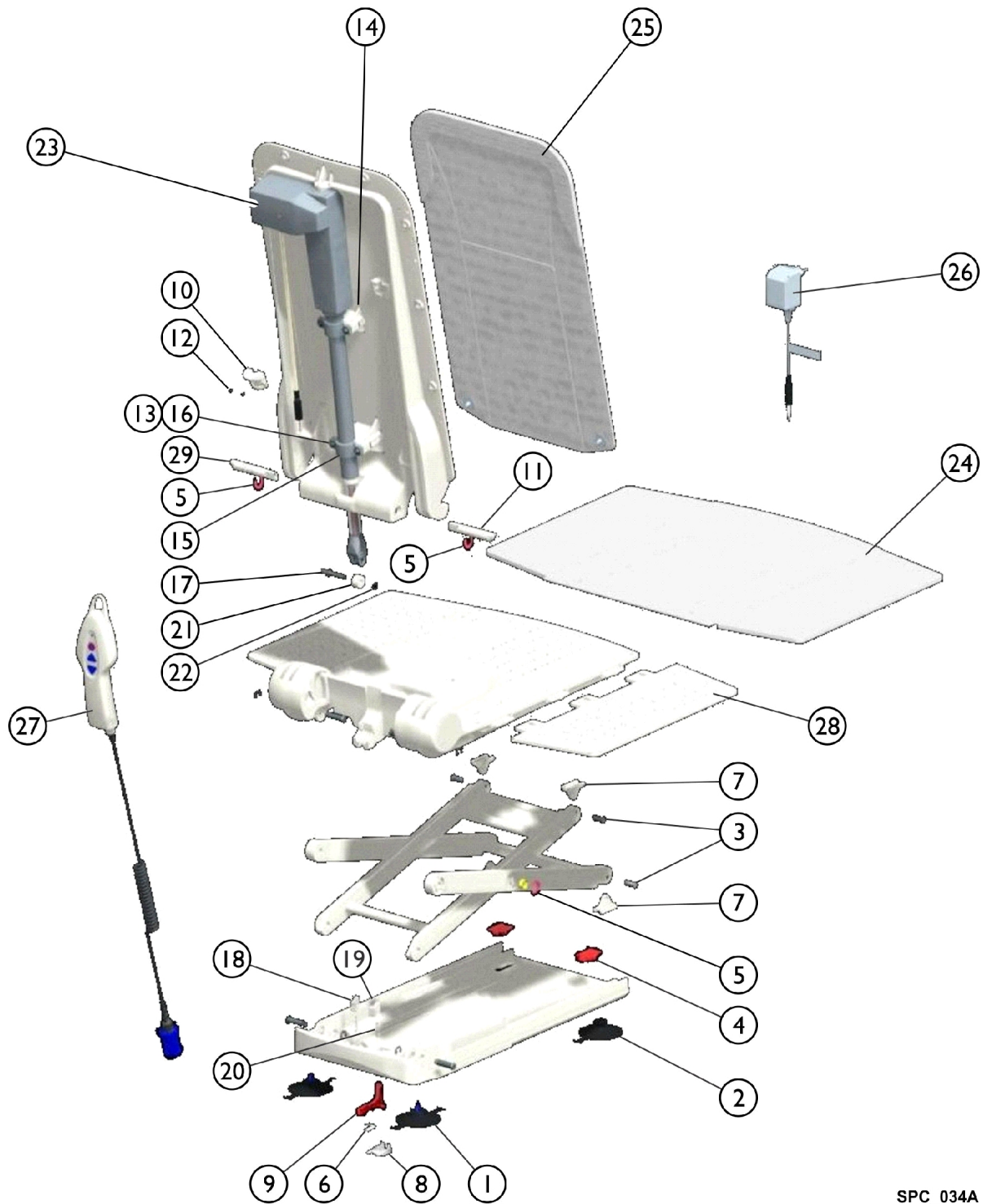


SPC_033A

Aquatec R - Reclining Back Bath Lift

Item Number	Note	Part Number	Description	Quantity Per	
				Package	Assembly
1+2		15353	Cups, Suction, Screw-In and Toggle (Set) (8 cm)	4	1
3		16679	Bolt (10mm)	1	4
4		15105	Bolt for Gliding Shoe	1	4
5		15121	Cap for Suction Cup	1	2
6		15344	Washer, Securing	1	2
7		15415	Spring	1	1
8		16446	Shoe, Gliding	1	4
9		16448	Latch, Bushing	1	1
10		16449	Latch	1	1
11		16455	Holding Device (Excluding Screws)	1	1
12		1470579	Bolt, Right	1	1
13		15348	Screws, Phone Jack (40 x 22)	1	2
14		16781	Lens Head Screw DIN 7985, M5 x 30	1	4
15		16779	Nut for Actuator Fastening	1	4
16		16778	Clamp, Pipe, Actuator Fastening	1	2
17		16780	Washer A2 DIN 9021	1	4
18		16793	Axle	1	1
19		16791	Locking - Left	1	1
20		16792	Locking - Right	1	1
21		16794	Pressure Spring for Locking	1	2
22		16450	Pulley	1	1
23		16456	Ring, Retaining, A2	1	2
24		16782	Actuator, Aquatec R	1	1
25		16606	Cover, Seat, White	1	1
26		16604	Cover, Backrest, White	1	1
27		16580	Charger, Battery	1	1
28		1470902	Hand Control, Complete	1	1
29		15892	Flap, Side with Film Hinge	1	2
30		1470580	Bolt, Left	1	1
		1470576	Cover Set, Seat and Backrest, White	1	1
		1470765	Cover, Seat, Blue	1	1
		1470766	Cover, Backrest, Blue	1	1
		1470767	Cover Set, Seat and Backrest, Blue	1	1
		16440	Backrest, Frame	1	1
		1471606-NLA	NLA - Sideflap, Aquatec	1	1

Aquatec XL - Heavy Duty Bath Lift



SPC_034A

Aquatec XL - Heavy Duty Bath Lift

Item Number	Note	Part Number	Description	Quantity Per	
				Package	Assembly
1+2		15353	Cups, Suction, Screw-In and Toggle (Set) (8 cm)	4	1
3		15105	Bolt for Gliding Shoe	1	4
4		15121	Cap for Suction Cup	1	2
5		15344	Washer, Securing	1	2
6		15415	Spring	1	1
7		16446	Shoe, Gliding	1	4
8		16448	Latch, Bushing	1	1
9		16449	Latch	1	1
10		16455	Holding Device (Excluding Screws)	1	1
11		1470579	Bolt, Right	1	1
12		15348	Screws, Phone Jack (40 x 22)	1	2
13		16781	Lens Head Screw DIN 7985, M5 x 30	1	4
14		16779	Nut for Actuator Fastening	1	4
15		16778	Clamp, Pipe, Actuator Fastening	1	2
16		16780	Washer A2 DIN 9021	1	4
17		16793	Axle	1	1
18		16791	Locking - Left	1	1
19		16792	Locking - Right	1	1
20		16794	Pressure Spring for Locking	1	2
21		16450	Pulley	1	1
22		16456	Ring, Retaining, A2	1	2
23		1471062	Actuator, Aquatec XL	1	1
24		16606	Cover, Seat, White	1	1
25		16604	Cover, Backrest, White	1	1
26		16580	Charger, Battery	1	1
27		1470902	Hand Control, Complete	1	1
28		15892	Flap, Side with Film Hinge	1	2
29		1470580	Bolt, Left	1	1
		1470576	Cover Set, Seat and Backrest, White	1	1
		1470765	Cover, Seat, Blue	1	1
		1470766	Cover, Backrest, Blue	1	1
		1470767	Cover Set, Seat and Backrest, Blue	1	1
		16440	Backrest, Frame	1	1

Invacare Canada L.P.

www.invacare.ca



Yes, you can.

570 Matheson Blvd E;8
Mississauga, Ontario,
L4Z 4G4 Canada
800-668-5324

Technical Support
8006685324 x2655
Customer Service
800-668-5324

Literature
800-668-5324
or www.invacare.ca

© 2022 Invacare Corporation. All rights reserved. Republication, duplication or modification in whole or in part is prohibited without prior written permission from Invacare. Trademarks are identified by ™ and ©. All trademarks are owned by or licensed to Invacare Corporation or its subsidiaries unless otherwise noted. (Revised 4/20/22)

Form No. 08-630C