

**Aquatec® Series  
Shower Commodes and Bath Lifts - Canada**



*Yes, you can.*

# Parts Catalogue Usage Guide

The information contained in this document is subject to change without notice. This catalogue contains service parts for Form No. 07-611C. If you have any questions regarding this catalogue, please contact one of our Customer Service Representatives.

**For Customer Service Support Call:  
1-800-668-5324 or 1-905-890-8300**

**For Faxed In Orders Call:  
1-800-668-5478  
1-905-890-5244**

**For Technical Service Call:  
1-800-668-5324 x2655**

**For Orders:  
canadaorders@invacare.com**

**Literature: www.invacare.ca or 1-800-668-5324**

## SYMBOL DEFINITION

Throughout this catalog you will notice letters to draw your attention to specific footnotes which are located at the bottom of the page or below specified charts.

Examples:

A,B,C etc. = Special Comments  
NOTE: = General information pertaining to that specific page  
NLA = No Longer Available

## HARDWARE MEASUREMENTS

The measurements for the hardware will be listed as follows:

Screws, Bolts Diameter X Thread Count/Pitch X Length  
Washers Inside Diameter X Outside Diameter X Thickness  
Spacers Inside Diameter X Outside Diameter X Length

For your convenience, we have supplied an area for you to list your Invacare Representatives.

Name	Phone Numbers

© 2022 Invacare Corporation, Elyria, Ohio. Invacare, the Medallion Design and Yes, you can. are registered trademarks of the Invacare Corporation. Information is subject to change without notification.

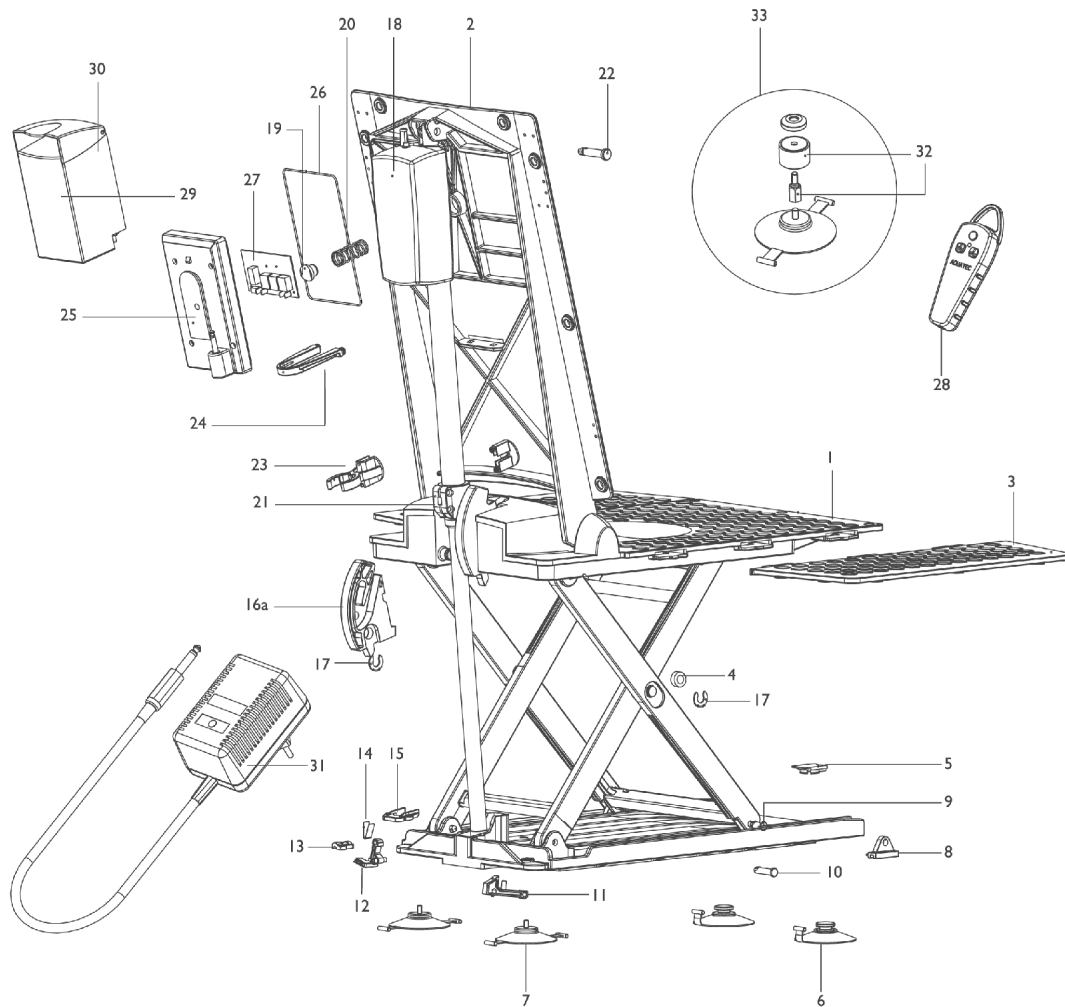
# TABLE of CONTENTS

<b>Description</b>	<b>Page Number</b>
Beluga Bathlift Model III (Since 02-02-22) .....	3
Classic Bathlift .....	5
Elan Bathlift Model III Since (01-05-23) .....	8
Fortuna Model II (Since 00-10-02) .....	11
Laguna Commode .....	20
Laguna Self Propelling Chair .....	22
Major Bathlift I .....	14
Minor Bathlift .....	17
Ocean Commode .....	24
Ocean E-VIP Commode After 09/30/21 .....	31
Ocean E-VIP Commode Before 10/01/21 .....	29
Ocean VIP Commode .....	26
Orca Bathlift (from May 2015) .....	33
Orca F Bathlift (from June 2015) .....	35
Orca XL Bath Lift (from May 2015) .....	37

# Beluga Bathlift Model III

## Since 02-02-22

Since serial number 900732





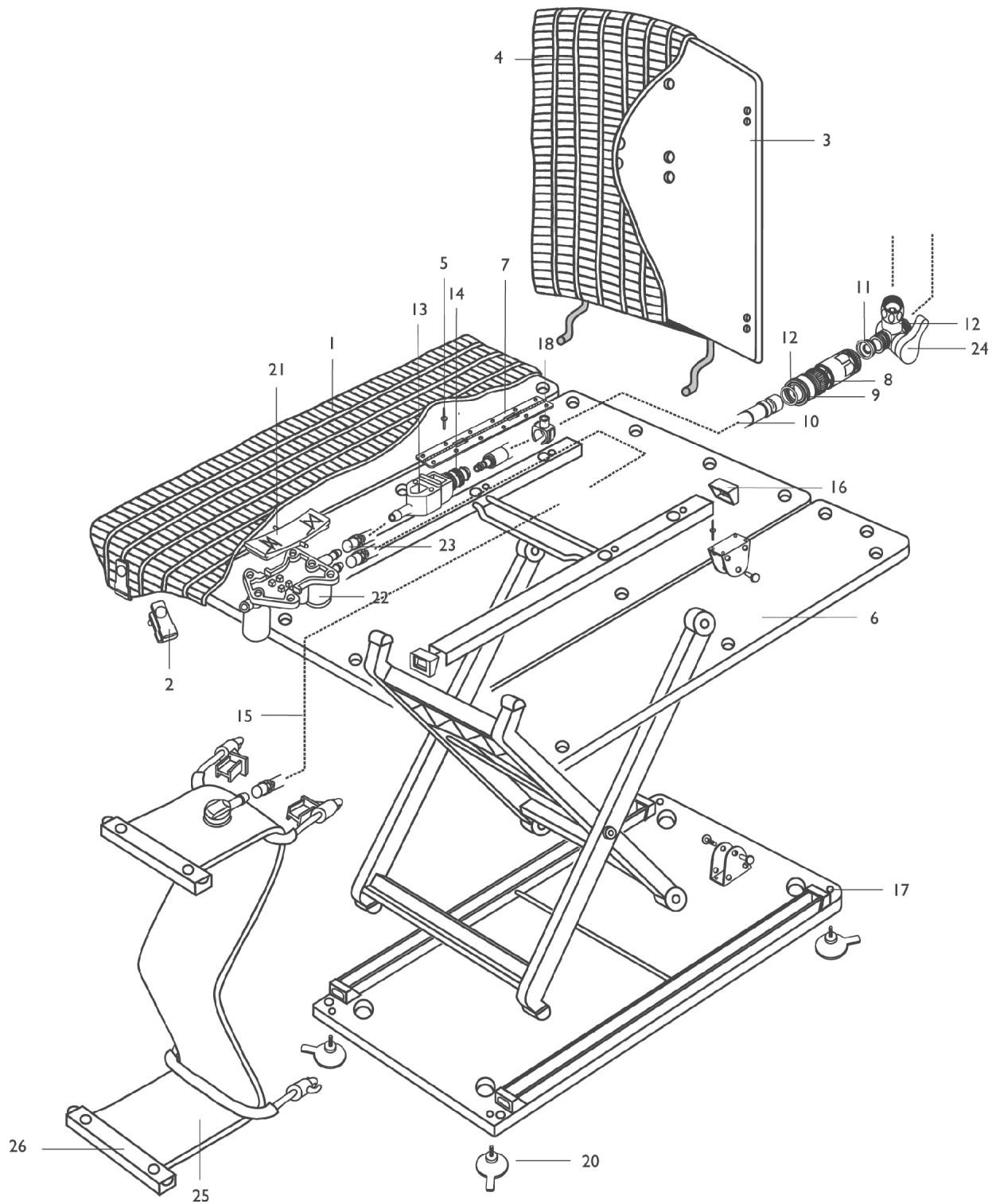
## Beluga Bathlift Model III

### Since 02-02-22

Item Number	Note	Part Number	Description	Quantity Per	
				Package	Assembly
1		15179	Cover, Seat, White (3 mm)	--	--
2		15419	Cover, Backrest, White (3 mm)	--	--
2		16169	Backrest (Frame Only)	--	--
1+2		15459	Cover, Seat and Backrest, White (3 mm)	--	--
3		15892	Flap, Side with Film Hinge	--	--
4		15806	Sleeve, Gliding	--	--
5		15121	Cap for Suction Cup	--	--
6		15072-NLA	Cups, Suction with Toggle (Pair)	--	--
7		15071	Cups, Suction, Screw-in (Pair)	--	--
6+7		15353	Cups, Suction, Screw-In and Toggle (Set) (8 cm)	--	--
8		15106-NLA	NLA - Shoe, Gliding	--	--
9		15105	Bolt for Gliding Shoe	--	--
10		15104-NLA	NLA - Bolt for U-Bearing	--	--
11		15669-NLA	NLA - Latch with Pressure Spring	--	--
12		15338	Bar	--	--
13		15340-NLA	NLA - Cap, Bearing	--	--
14		15415	Spring	--	--
15		15336	Plate	--	--
16a		15342	Guiding Plate - Left Side	--	--
16b		15343	Guiding Plate - Right Side	--	--
17		15344	Washer, Securing	--	--
18		15828	Actuator with Spindle Foot	--	--
19		15441	Pressure Piece	--	--
20		15445	Spring, Pressure	--	--
21		15831	Pulley Assembly with Hardware	--	--
22		14468-NLA	NLA - Bolt, Motor	--	--
23		16220	Spindle Catch	--	--
24		15905	Holder	--	--
25		15937	Cap with Plug	--	--
26		15469	O-Ring	--	--
27		15183	Circuit Board	--	--
28		16214	Hand Control with Spiral Cable	--	--
29		15166	Battery, Complete	--	--
30		15224	Fuse, Glass (5 x 20) 5 AMP	--	--
31		15239	Charger, Battery, Canada / USA	--	--
32	B,C	15170	Kit, Conversion Height Adapter (2 cm)	--	--
33	B,C	14694	Adapters, Height (Set)	--	--
	A	15298	Kit, Conversion without Height Adapters	--	--
	A	15880	Kit, Recirculation without Battery Charger	--	--

NOTE: A - Not Shown.  
 B - For height adaptation up to 4cm, you must order (1) Height Adapter Set Part # 14694 and (1) Conversion Kit Part # 15170.  
 C - For height adaptation up to 6cm, you must order (2) Height Adapter Set Part # 14694 and (1) Conversion Kit Part # 15170.

# Classic Bathlift



## Classic Bathlift

Item Number	Note	Part Number	Description	Quantity Per	
				Package	Assembly
1		13085	Cover, Seat, White - Right (3 mm)	1	1
1		15625	Cover, Seat, White - Left (3 mm)	1	1
2	G	12424-NLA	NLA - Fixation Set for Cover, White	--	--
2		10547	Clip, Covermat, Aquatec	--	--
2		10987	Loop, Seat Cover, Fortuna - White	--	--
2		10989	Minor Button - White	--	--
2		11382	Butterfly Clip	--	--
3		11161	Backrest, Stationary without Cover	--	--
4		13086	Cover, Stationary Backrest, White (3 mm)	--	--
1+4		15005	Seat and Backrest Cover, White (3 mm)	--	--
5		14041	Rivet (3.2 x 9.5L)	--	--
6		10929	Flap, Side	--	--
7		10176	Hinge	--	--
8		11491	Quick Disconnect (3/8")	--	--
9	A	11023-NLA	NLA - Insert, Sieve	--	--
10		12404	Hose, Supply (2 m)	--	--
10		12405	Hose, Supply Set (3 m)	--	--
11		10860-NLA	NLA - Washer	--	--
12		11661	O-Ring (18mm x 2mm)	--	--
13		14294	Connection Piece, Complete	--	--
14		10112	Quick Disconnect (3/8")	--	--
15		11020-NLA	NLA - Hose, PVC, Blue (1 m)	--	--
16		10933	Cover, C-Rail	--	--
17	F	10701	Screw	1	1
18		13128	Holder, PVC-Hose	--	--
19	A	10203	Holder, PVC-Hose, Twin	--	--
20		12496	Cups, Suction, Set	--	--
21		12370	Switch, Rocker	--	--
22		12462	Valve	--	--
23		12251	Clamp, PVC-Hose	--	--
24		11569	Diverter without Extension	--	--
25		13222DOL	Bladder, Complete, Grey	--	--
26		11027-NLA	NLA - Cover, Hose, Blue	--	--
	A	14666	Kit, Recirculation	--	--
	A,E	11082	Adapters, Height (2 cm)	--	--
	A,E	11081	Adapters, Height (4 cm)	--	--
	A,E	11080	Adapters, Height (6 cm)	--	--
	A	10084-NLA	NLA - Holder, Supply Hose	--	--
	A	12704	Extension, Vaillant Switch (1/2")	--	--
	A	11568	Junction, Vaillant	--	--
	A	10447-NLA	NLA - Fixation Piece, L-Shaped for Vaillant Switch (New Style)	--	--
	A,B	14147	Connector, Y-Style	--	--
	A	12550	Connector, Vaillant Switch Reduction (3/4" - 1/2" Regular Thread)	--	--

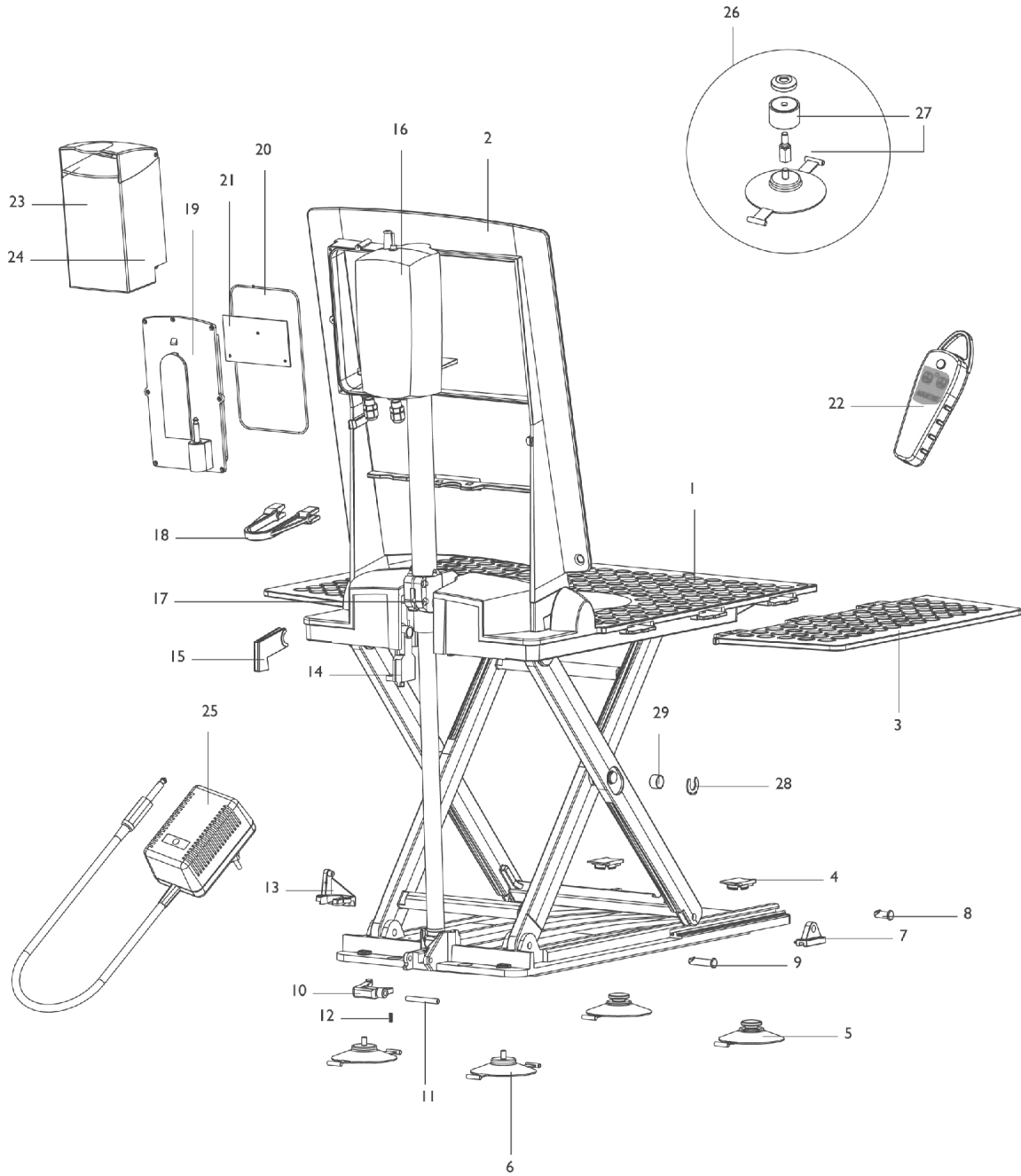
## Classic Bathlift

Item Number	Note	Part Number	Description	Quantity Per	
				Package	Assembly
	A,C	10001	Connector, Shower (1/2")	--	--
	A,D	10128	Connection, Waterstop	--	--
	A	12101	Kit, Installation	--	--
	A	11127	Sleeve, Nut for Suction Cup	--	--
NOTE: A - Not Shown. B - Used with 2 x 3/4" outlets, on 1 x 3/4" to 1/2" Connection with Waterstop. C - Used for connecting Shower Hose and Quick Disconnect. D - For addition to Quick Disconnect. E - Includes a set of 4. F - For use with suction cup. G - No longer available. To reorder for replacement parts use 10547 (Qty. 6), 10987 (Qty. 22), 10989 (Qty. 6), and 11382 (Qty. 1)					

# Elan Bathlift Model III

## Since 01-05-23

Since serial number 761895



## Elan Bathlift Model III

### Since 01-05-23

Item Number	Note	Part Number	Description	Quantity Per	
				Package	Assembly
1	A	15962	Cover, Seat, White (3 mm) (Before July 2001)	--	--
1	A	16399	Cover, Seat, White (3 mm) (After June 2001)	--	--
2	A	15959	Cover, Backrest, White (3 mm)	--	--
2		15967	Backrest (Frame Only)	--	--
1+2	A	15966	Cover, Seat and Backrest, White (3 mm) (Before July 2001)	--	--
1+2	A	16025	Cover, Seat and Backrest, White (3 mm) (After June 2001)	--	--
3		15892	Flap, Side with Film Hinge	--	--
4		15121	Cap for Suction Cup	--	--
5		15072-NLA	Cups, Suction with Toggle (Pair)	--	--
6		15071	Cups, Suction, Screw-in (Pair)	--	--
5+6		15353	Cups, Suction, Screw-In and Toggle (Set) (8 cm)	--	--
7		15106-NLA	NLA - Shoe, Gliding	--	--
8		15105	Bolt for Gliding Shoe	--	--
9		15104-NLA	NLA - Bolt for U-Bearing	--	--
10		15113	Locking Device	--	--
11		15103	Bolt for Locking Device	--	--
12		14929	Spring	--	--
13		15114	Plate	--	--
14a		15293	Bearing with Stud - Left	--	--
14b		15292	Bearing without Stud - Right	--	--
15		15738	Cup, Bearing	--	--
16	B	15255	Actuator	--	--
17		15830	Pulley Assembly with Hardware	--	--
18		15905	Holder	--	--
19		15367	Cover with Plug	--	--
20		15140	O-Ring	--	--
21		15183	Circuit Board	--	--
22		16215A	Hand Control w/ Spiral Cable and Screws	--	--
23		15166	Battery, Complete	--	--
24		15224	Fuse, Glass (5 x 20) 5 AMP	--	--
25		15239	Charger, Battery, Canada / USA	--	--
26	C,D	15170	Kit, Conversion Height Adapter (2 cm)	--	--
27	C,D	14694	Adapters, Height (Set)	--	--
28		15344	Washer, Securing	--	--
29		15806	Sleeve, Gliding	--	--
		15298	Kit, Conversion without Height Adapters	--	--
		15881	Kit, Recirculation without Battery Charger (Until May 2001)	--	--
		15983	Kit, Recirculation without Battery Charger (Before July 2001)	--	--
		15984	Kit, Recirculation without Battery Charger (After June 2001)	--	--

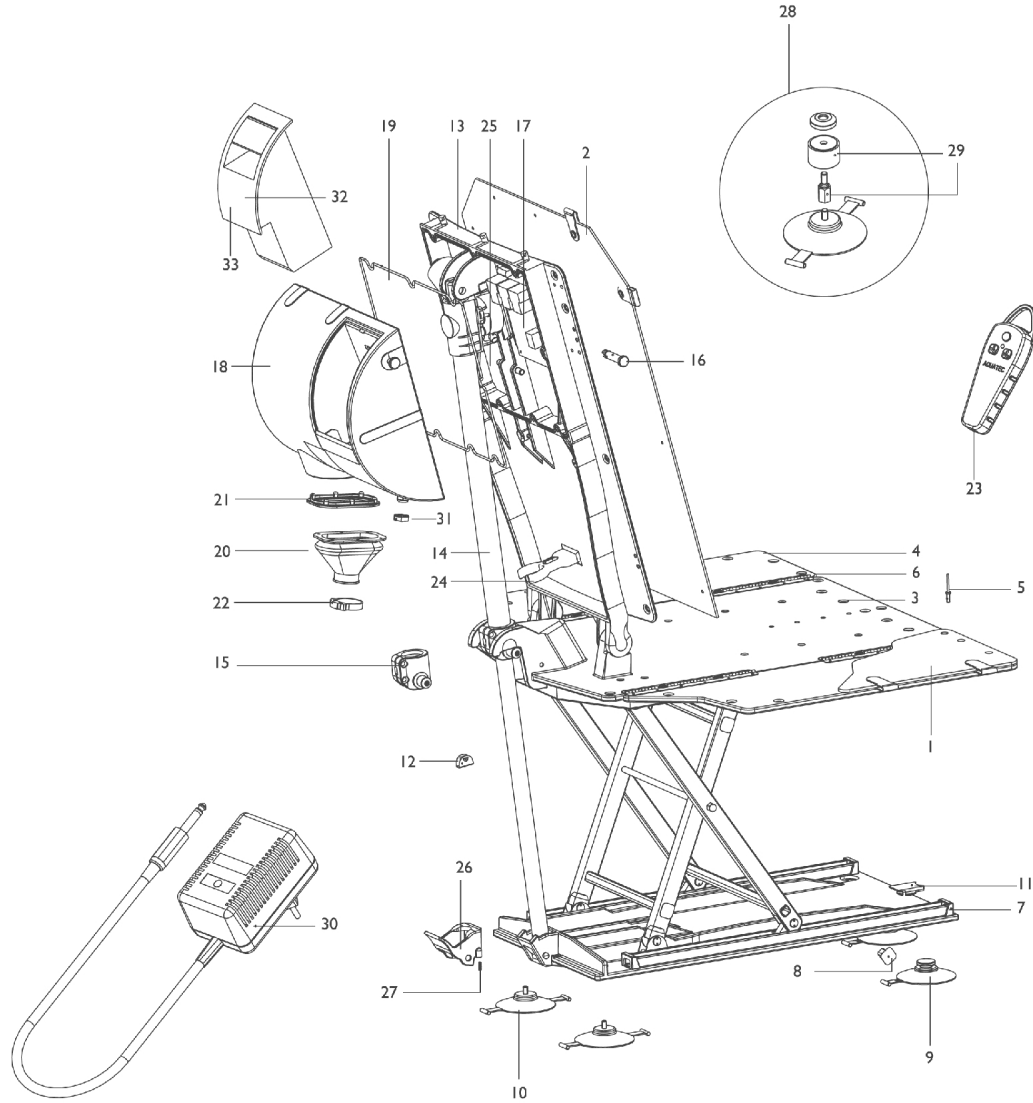
# Elan Bathlift Model III

## Since 01-05-23

NOTE: A - Not Shown  
B - Includes Motor, Pulley Assembly and Spindle Foot.  
C - For height adaptation up to 4cm, you must order (1) Height Adapter Set Part # 14694 and (1) Conversion Kit Part # 15170.  
D - For height adaptation up to 6cm, you must order (2) Height Adapter Set Part # 14694 and (1) Conversion Kit Part # 15170.

# Fortuna Model II (Since 00-10-02)

Since serial number 662527





## Fortuna Model II (Since 00-10-02)

Item Number	Note	Part Number	Description	Quantity Per	
				Package	Assembly
1		14535	Cover, Seat, White (5 mm)	--	--
1		14556	Cover, Seat, Blue (5 mm)	--	--
2		14593-NLA	NLA - Cover, Backrest, White (5 mm)	--	--
2		14595-NLA	NLA - Cover, Backrest, Blue (5 mm)	--	--
1+2		14980-NLA	NLA - Cover, Seat and Backrest, White (5 mm)	--	--
1+2		14981-NLA	NLA - Cover, Seat and Backrest, Blue (5 mm)	--	--
3		14592-NLA	NLA - Seat, Complete without Cover	--	--
4		14453-NLA	NLA - Flap, Side (525 x 160 mm)	--	--
5		14041	Rivet (3.2 x 9.5L)	--	--
6		11548	Hinge	--	--
7		10933	Cover, C-Rail	--	--
9		15072-NLA	Cups, Suction with Toggle (Pair)	--	--
10		15071	Cups, Suction, Screw-in (Pair)	--	--
11		15121	Cap for Suction Cup	--	--
12		14462-NLA	NLA - U-Clip	--	--
13a		14377-NLA	NLA - Backrest, Complete without Cover	--	--
13b		14452-NLA	NLA - Backrest (Frame Only)	--	--
14	B	15815-NLA	NLA - Actuator	--	--
15		15829	Clamp for Actuator	--	--
16		14468-NLA	NLA - Bolt, Motor	--	--
17		15183	Circuit Board	--	--
18		16093-NLA	NLA - Casing, Backrest	--	--
19		14457	Gasket, Casing	--	--
20		14451	Cup, Compression	--	--
21		14441	Flange for Compression Cup	--	--
22		14885-NLA	NLA - Clamp	--	--
23		15394-NLA	NLA - Hand Control with Spiral Cable and Screws	--	--
24		14470	Spindle Catch	--	--
25		14502	Ring, Rubber (60mm x 1.5mm)	--	--
26		14978	Locking Device	--	--
27		14929	Spring	--	--
28	C,D	15170	Kit, Conversion Height Adapter (2 cm)	--	--
29	C,D	14694	Adapters, Height (Set)	--	--
30		15239	Charger, Battery, Canada / USA	--	--
31		15635-NLA	NLA - Reduction	--	--
32		15224	Fuse, Glass (5 x 20) 5 AMP	--	--
33	E	12V-3	Battery, Complete, Sealed Lead Acid	--	--
	A	15298	Kit, Conversion without Height Adapters	--	--
	A	15877-NLA	NLA - Kit, Recirculation without Battery Charger, White - Fortuna	--	--
	A	15878-NLA	NLA - Kit, Recirculation without Battery Charger, Blue - Fortuna	--	--
	A	15243	Cover, Backrest, Hydraulically Recline, White (5 mm)	--	--

## Fortuna Model II (Since 00-10-02)

Item Number	Note	Part Number	Description	Quantity Per	
				Package	Assembly
	A	15244	Cover, Backrest, Hydraulically Recline, Blue (5 mm)	--	--
	A	15466	Cover, Head Support, White (5 mm)	--	--
	A	15467	Cover, Head Support, Blue (5 mm)	--	--
NOTE: A - Not Shown. B - Includes Motor, Pulley Assembly and Spindle Foot. C - For height adaptation up to 4cm, you must order (1) Height Adapter Set Part # 14694 and (1) Conversion Kit Part # 15170. D - For height adaptation up to 6cm, you must order (2) Height Adapter Set Part # 14694 and (1) Conversion Kit Part # 15170. E - To use this as the replacement, the existing battery casing must be used. Contact customer service for more details.					



# Major Bathlift I

Item Number	Note	Part Number	Description	Quantity Per	
				Package	Assembly
1		11424	Clip, Cover, White	--	--
1		11429	Clip, Cover, Blue	--	--
2	D	01000	Flap, Side	--	--
3	D	01001	Support, Middle	--	--
4	D	01002	Support, Head	--	--
5	D	01003	Support, Foot	--	--
6		12134-NLA	NLA - Hinge	--	--
7		11491	Quick Disconnect (3/8")	--	--
8		11023-NLA	NLA - Insert, Sieve	--	--
9	D	01004	Hose (Depending on Length)	--	--
10		11302	Hose, Shower (1 m)	--	--
10		11364-NLA	NLA - Hose, Shower (1.5 m)	--	--
11		12585	Switch-Over	--	--
12		10860-NLA	NLA - Washer	--	--
13		11385-NLA	NLA - Washer, Shower Hose (19mm x 8mm x 1mm)	--	--
14		11661	O-Ring (18mm x 2mm)	--	--
15		11559	Clamp	--	--
16		11553	Nut	--	--
17		10835-NLA	NLA - Distributor Piece	--	--
18		11020-NLA	NLA - Hose, PVC, Blue (1 m)	--	--
19		10356-NLA	NLA - Nut, Aluminum	--	--
20		11507	Cover, C-Rail	--	--
21		14204	Cups, Suction (Pair)	--	--
22		11838	Control Unit, Reclining Backrest	--	--
22		14134	Control Unit, Stationary Backrest	--	--
23		12413	Joystick without Knob Assembly, Reclining Backrest	--	--
23		14403	Joystick without Knob Assembly, Stationary Backrest	--	--
24		12331	Knob, Reclining Backrest	--	--
24		14098	Knob, Stationary Backrest	--	--
25		12541	Hand Control, Reclining Backrest	--	--
25		14060	Hand Control, Stationary Backrest	--	--
26	D	01005	Bladder, Head	--	--
27	D	01006-NLA	NLA - Bladder, Foot	--	--
28		11027-NLA	NLA - Cover, Hose, Blue	--	--
29		10845	Adjustable Blue Plate	--	--
30		10142-NLA	NLA - Strip, Edge Protection, White	--	--
31		11003	Coupling, Miniature, Reclining Backrest	--	--
32		11376	Washer, Round	--	--
33		12608	Washer, Flat	--	--
	A,D	11167	Cover, White (5 mm)	--	--
	A,D	11166	Cover, Blue (5 mm)	--	--
	A	11137-NLA	NLA - Cover, Backrest, White (5 mm)	--	--
	A	11136-NLA	NLA - Cover, Backrest, Blue (5 mm)	--	--
	A	11537	Cover, Reclining Backrest, White (5 mm)	--	--

## Major Bathlift I

Item Number	Note	Part Number	Description	Quantity Per	
				Package	Assembly
	A	11535	Cover, Reclining Backrest, Blue (5 mm)	--	--
	A,B	11161	Backrest, Stationary without Cover	--	--
	A,C	12263	Backrest, Stationary without Cover	--	--
	A,B	11517	Backrest, Reclining without Cover	--	--
	A,C	12742	Backrest, Reclining without Cover	--	--
	A	11551-NLA	NLA - Adhesive Tape for Switch-Over	--	--
	A	11154-NLA	NLA - Cover, Stationary Backrest Special, Blue (5 mm)	--	--
	A	11155	Cover, Stationary Backrest Special, White (5 mm)	--	--
	A	11148	Cover, Reclining Backrest Special, Blue (5 mm)	--	--
	A	11149-NLA	NLA - Cover, Reclining Backrest Special, White (5 mm)	--	--
	A	11214	Cover, Head Support, Blue (5 mm)	--	--
	A	11215	Cover, Head Support, White (5 mm)	--	--
	A	11220	Cover, Foot Support, Blue (5 mm)	--	--
	A	11221DOL	Cover, Foot Support, White (5 mm)	--	--
	A	11202	Cover, Pillow, Blue (5 mm)	--	--
	A	11203	Cover, Pillow, White (5 mm)	--	--
	A	11208	Cover, Special Pillow, Blue (5 mm)	--	--
	A	11209-NLA	NLA - Cover, Special Pillow, White (5 mm)	--	--
	A	13975	Fixation Set for Cover, White	--	--
	A	13974-NLA	NLA - Fixation Set for Cover, Blue	--	--
	A	15317-NLA	NLA - Adapters, Special Height (20 mm)	--	--
	A	15318-NLA	NLA - Adapters, Special Height (40 mm)	--	--
	A	15319	Adapters, Special Height (60 mm)	--	--
	A	10084-NLA	NLA - Holder, Supply Hose	--	--
	A	11092	Quick Disconnect (Hospitals)	--	--
	A	12704	Extension, Vaillant Switch (1/2")	--	--
	A	11568	Junction, Vaillant	--	--
	A	10447-NLA	NLA - Fixation Piece, L-Shaped for Vaillant Switch (New Style)	--	--
	A	14147	Connector, Y-Style	--	--
	A	12550	Connector, Vaillant Switch Reduction (3/4" - 1/2" Regular Thread)	--	--
	A	10001	Connector, Shower (1/2")	--	--
	A	11123	Fixation Set for Switch Cover	--	--
	A	10128	Connection, Waterstop	--	--
	A	12101	Kit, Installation	--	--
	A	10701	Screw	--	--
	A	11127	Sleeve, Nut for Suction Cup	--	--
NOTE: A - Not Shown. B - Distance between holes 20.5 cm. C - Distance between holes 25.5 cm. D - Parts require article number and are dependent on size.					



## Minor Bathlift

Item Number	Note	Part Number	Description	Quantity Per	
				Package	Assembly
1		11142-NLA	NLA - Cover, Seat, Blue (5 mm)	--	--
2		12423-NLA	NLA - Fixation Set for Cover, Blue	--	--
5		11517	Backrest, Reclining without Cover	--	--
6		11535	Cover, Reclining Backrest, Blue (5 mm)	--	--
7		14041	Rivet (3.2 x 9.5L)	--	--
8		10929	Flap, Side	--	--
9		10176	Hinge	--	--
10		11491	Quick Disconnect (3/8")	--	--
11	A	11023-NLA	NLA - Insert, Sieve	--	--
12		12404	Hose, Supply (2 m)	--	--
13		11302	Hose, Shower (1 m)	--	--
14		12585	Switch-Over	--	--
15	A	11551-NLA	NLA - Adhesive Tape for Switch-Over	--	--
16		10860-NLA	NLA - Washer	--	--
17		11385-NLA	NLA - Washer, Shower Hose (19mm x 8mm x 1mm)	--	--
18		11661	O-Ring (18mm x 2mm)	--	--
19		11020-NLA	NLA - Hose, PVC, Blue (1 m)	--	--
20		10356-NLA	NLA - Nut, Aluminum	--	--
21		10933	Cover, C-Rail	--	--
22		10701	Screw	--	--
23		12496	Cups, Suction, Set	--	--
24		12478	Footguard, Complete	--	--
25	B	10171	Mountings, Footguard	--	--
26		11034	Clip, Footguard	--	--
28		14149	Control Unit, Stationary Backrest	--	--
28		11456	Control Unit, Reclining Backrest	--	--
29		11003	Coupling, Miniature, Reclining Backrest	--	--
30		10112DOL	Disconnect, Quick (3/8")	--	--
31		11376	Washer, Round	--	--
32		12608	Washer, Flat	--	--
33		14403	Joystick without Knob Assembly, Stationary Backrest	--	--
33		12413	Joystick without Knob Assembly, Reclining Backrest	--	--
34		12331	Knob, Reclining Backrest	--	--
34		14098	Knob, Stationary Backrest	--	--
35		14060	Hand Control, Stationary Backrest	--	--
36		13942	Bladder, Stationary Backrest	--	--
36		12851	Bladder, Reclining Backrest	--	--
37		11027-NLA	NLA - Cover, Hose, Blue	--	--
38		12843	Hose, Reclining Backrest	--	--
	A	13954	Cover, Seat Special, Blue (5 mm)	--	--
	A	11172	Cover, Seat Special for Minor M2/M3, Blue (5 mm)	--	--
	A	11161	Backrest, Stationary without Cover	--	--
	A	11136-NLA	NLA - Cover, Backrest, Blue (5 mm)	--	--

## Minor Bathlift

Item Number	Note	Part Number	Description	Quantity Per	
				Package	Assembly
	A	11154-NLA	NLA - Cover, Stationary Backrest Special, Blue (5 mm)	--	--
	A	11148	Cover, Reclining Backrest Special, Blue (5 mm)	--	--
	A	11082	Adapters, Height (2 cm)	--	--
	A	11081	Adapters, Height (4 cm)	--	--
	A	11080	Adapters, Height (6 cm)	--	--
	A	10123	Adapters, Height, Special	--	--
	A	15317-NLA	NLA - Adapters, Special Height (20 mm)	--	--
	A	15318-NLA	NLA - Adapters, Special Height (40 mm)	--	--
	A	15319	Adapters, Special Height (60 mm)	--	--
	A	12404	Hose, Supply (2 m)	--	--
	A	12405	Hose, Supply Set (3 m)	--	--
	A	11302	Hose, Shower (1 m)	--	--
	A	11364-NLA	NLA - Hose, Shower (1.5 m)	--	--
	A	10084-NLA	NLA - Holder, Supply Hose	--	--
	A	12704	Extension, Vaillant Switch (1/2")	--	--
	A	11568	Junction, Vaillant	--	--
	A	10447-NLA	NLA - Fixation Piece, L-Shaped for Vaillant Switch (New Style)	--	--
	A	14147	Connector, Y-Style	--	--
	A	12550	Connector, Vaillant Switch Reduction (3/4" - 1/2" Regular Thread)	--	--
	A	10001	Connector, Shower (1/2")	--	--
	A	11123	Fixation Set for Switch Cover	--	--
	A	10128	Connection, Waterstop	--	--
	A	12101	Kit, Installation	--	--
	A	11127	Sleeve, Nut for Suction Cup	--	--

NOTE: A - Not Shown.  
B - Includes (2) Fixation Screws and (1) Mounting Screw.



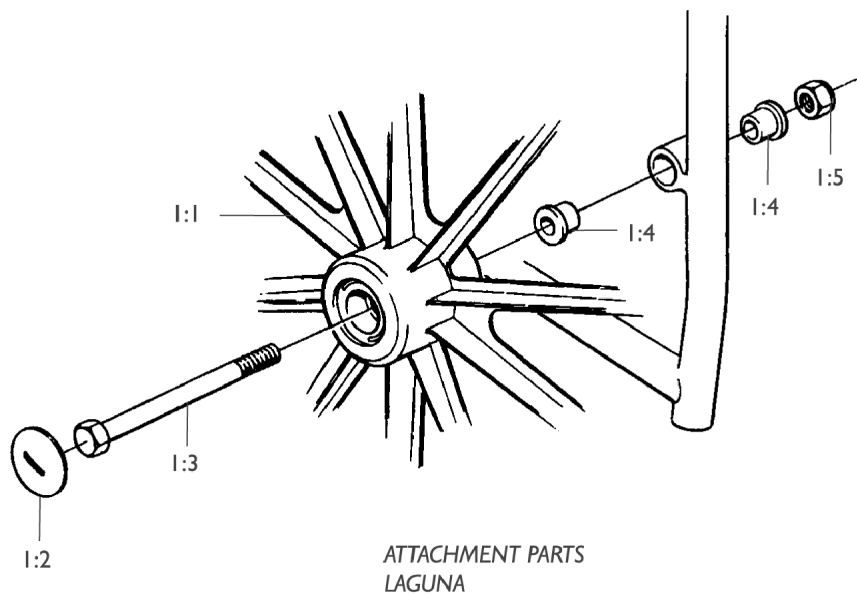
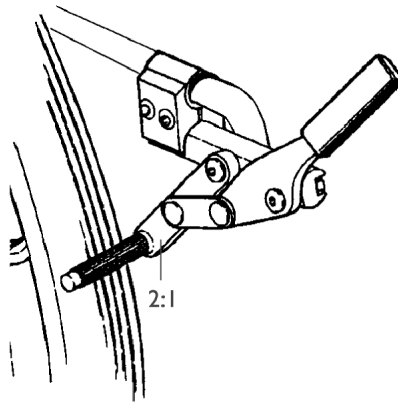


## Laguna Commode

Item Number	Note	Part Number	Description	Quantity Per	
				Package	Assembly
1	A	10177	Armrest, Complete	--	--
2		11186	Hardware, Armrest Mounting	--	--
3		A10158	Kit, Armrest Pad Upper/Lower with Screws	--	--
4		11036	Kit, Footrest (Pair)	--	--
5		1470781	Clip, Footrest	--	--
6		11207-28	Attachment, Footrest	--	--
7		60121	Screw, Footrest Attachment	--	--
8		11188	Handle, Steering with Screws	--	--
11		10172	Seat with Hygiene Recess and Screws	--	--
		10173	Seat with Oval Recess with Attachments	--	--
12		11142-27	Guide Rail for Sanitary Pan	--	--
14		11192	Kit, Upper Frame Assembly (8pcs)	--	--
15		72141	Kit, Caster with Brake (125 mm)	--	--
16		60154	Screw for Wheel	--	--
17		70330	Plug, Replacing Armrest Lock	--	--
18		62045D	Spring, Height Adjustment	--	--

NOTE: A - Does not include attachment part.

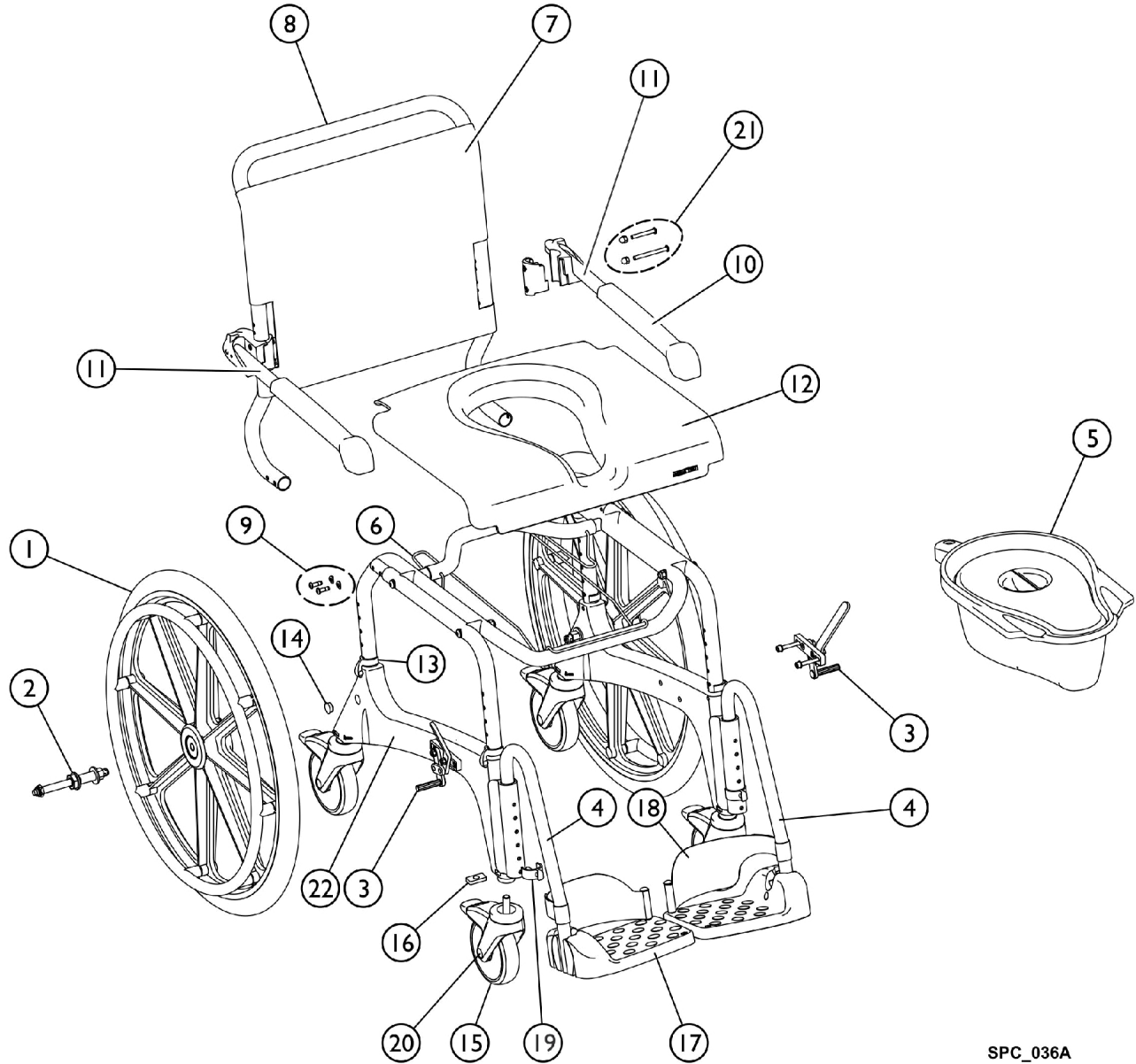
# Laguna Self Propelling Chair



## Laguna Self Propelling Chair

Item Number	Note	Part Number	Description	Quantity Per	
				Package	Assembly
1:1		72023	Wheel, 24"	--	--
1:2		70156	Cap, Hub	--	--
1:3		60033	Screw (M12 x 121mm)	--	--
1:4		70033	Bushing	--	--
1:5		61005	Nut	--	--
2:1		72024	Brakes, Complete Set - Right	--	--
2:1		72029	Brakes, Complete Set - Left	--	--

# Ocean Commode



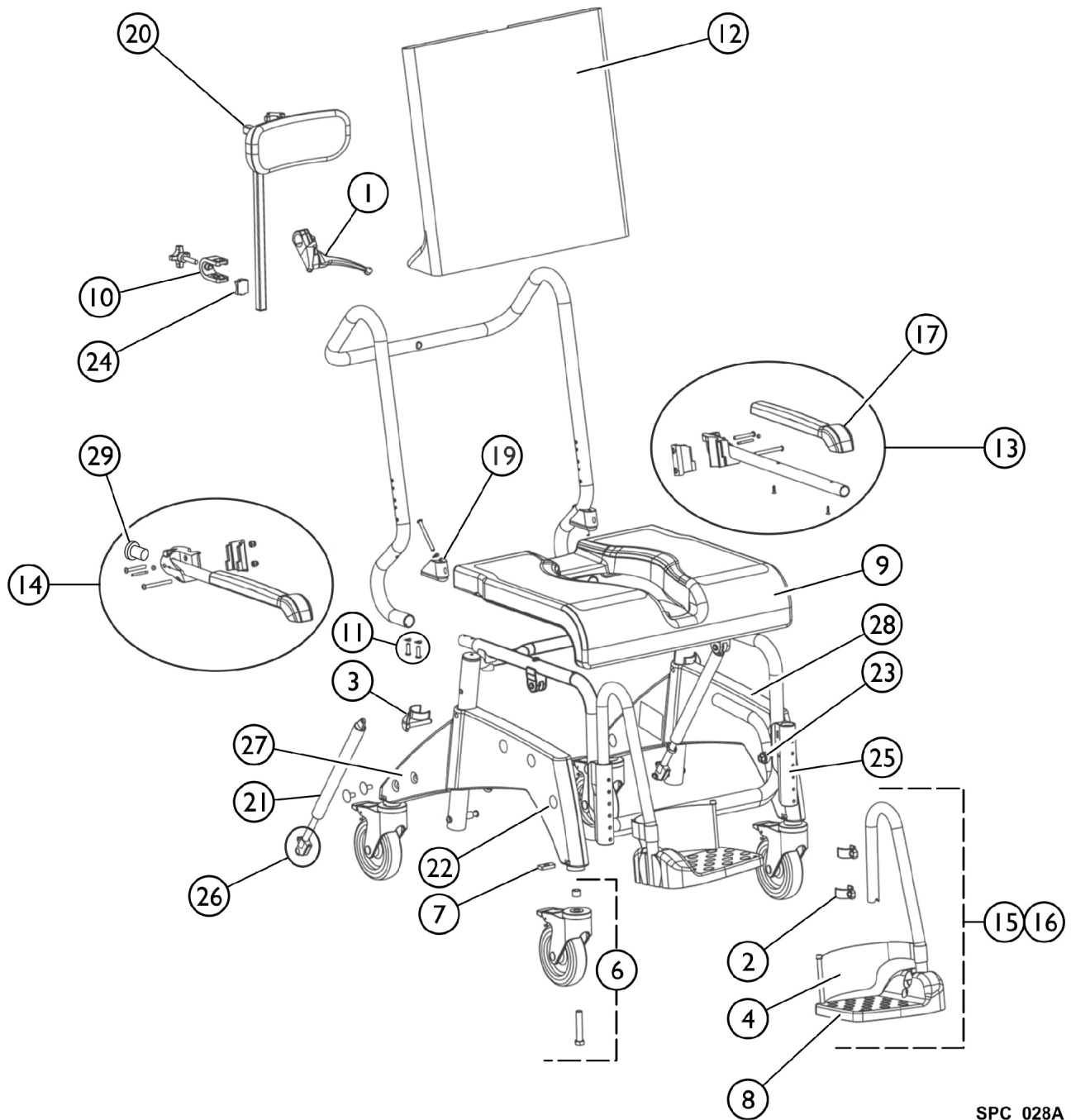
SPC\_036A

## Ocean Commode

Item Number	Note	Part Number	Description	Quantity Per	
				Package	Assembly
1		16336	24 In Wheel W / Handrim for Ocean/Ergo SP	1	--
2		16418	Cpl Set Hub and QR Axle (16338 and 16337)	1	--
3		16339	Lt. Brk. Lever - Ocean / Ergo Commodes	1	--
3		16340	Rt. Brk. Lever Ocean / Ergo Commodes	1	--
	A	16379	Self Propelling Wheels Kit complete including brakes	1	--
4	C	1470696-NLA	NLA - Footrest, Complete - Right	1	--
4		SP1643542	Footrest cpl., Right - Ocean (XL) / VIP / Ocean Ergo Series	1	--
4	D	1470695-NLA	NLA - Footrest, Complete - Left	1	--
4		SP1643541	Footrest cpl., Left - Ocean (XL) / (Dual-)VIP / Ocean Ergo Series	1	--
5		10230	Collection Pan with Lid	1	--
	B	1541289	Lid, Pan	1	--
6		1527985	Holder, Toilet Pan	1	--
7		1528289	Cover, Backrest, Ocean Facelift (After July 2011)	1	--
7		1527988	Cover, Backrest, Ocean XL Facelift (After July 2011)	1	--
7		16257	Cover, Backrest, Adjustable, Ocean (Before July 2011)	1	--
8		1528025	Backrest w/o Armrest and Cover	1	--
9	E	1542900	Bkrst Hdwr. - Ergo / Ocean (Dual-)VIP / XL	1	--
10		16472	Armrest Pads Incl. Screws Kit	1	--
11		1470693	Armrest assembly, Right	1	--
11		1470694	Armrest Assembly Left	1	--
12		16262	Seat	1	--
13		16256	Side Frame Adj. Clip	1	--
14		16258	Package, Plug	1	--
15		16259	Caster, Locking, Red Tab	1	--
16		1470688	Plate, Threaded	1	--
17		1470689	Footrest Plate	1	--
18		16334	Heel Loop (Pair)	1	--
19		16333	Clip, Footrest	1	--
20		1513809	Cover Cap for 5" Wheel	1	--
21		1471052	Ocean Armrest Kit Parts	1	--
22		16737	Side Frame w/ Wheels	1	--

NOTE: A - Includes Left and Right Brakes, Hub and Axle, and the Wheel.  
 B - Includes Pan.  
 C - Part number 1470696 in No Longer Available, use part number SP1643542 as a replacement.  
 D - Part number 1470695 in No Longer Available, use part number SP1643541 as a replacement.  
 E - After SN14403200/14406200

# Ocean VIP Commode



SPC\_028A

## Ocean VIP Commode

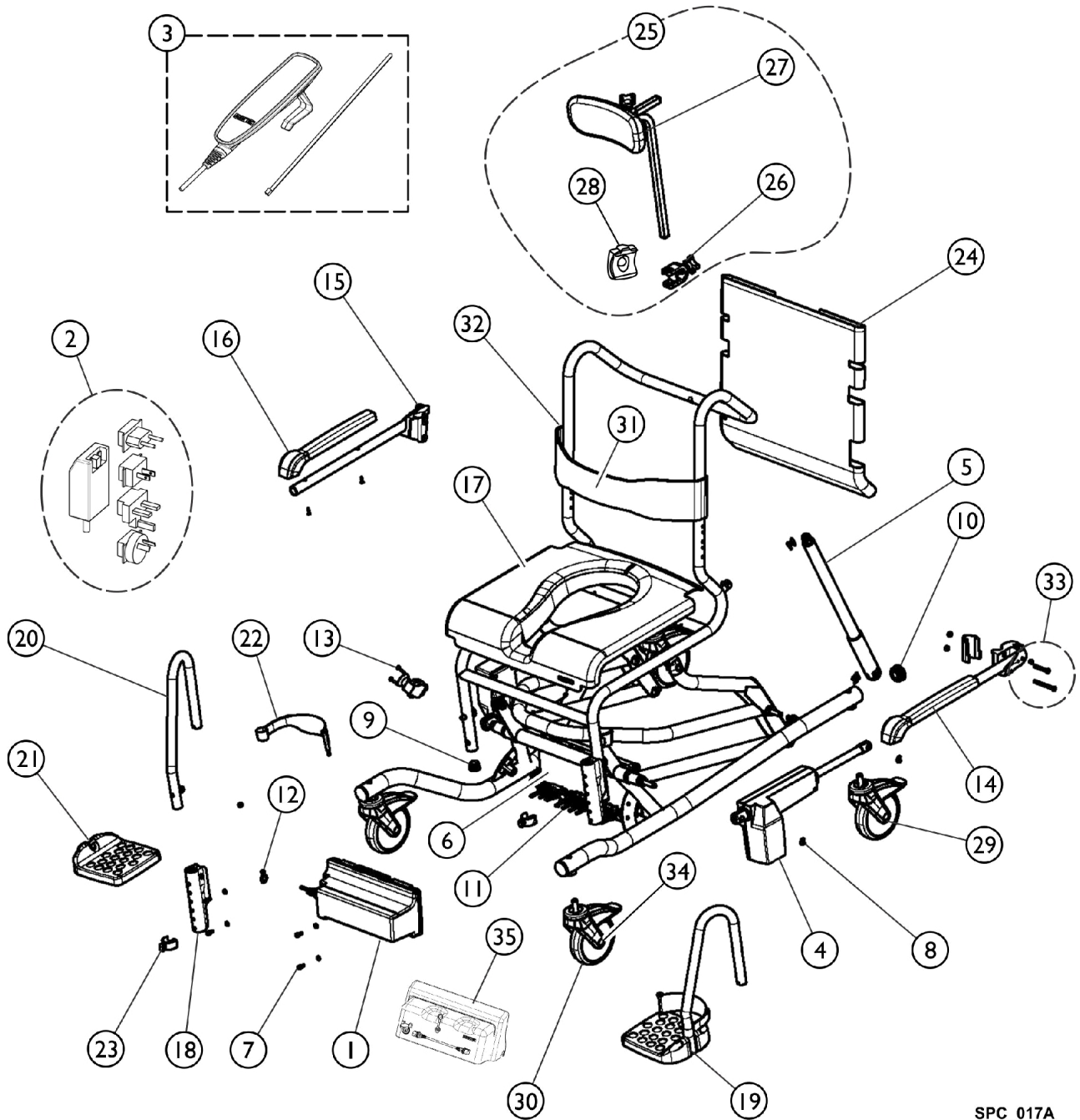
Item Number	Note	Part Number	Description	Quantity Per	
				Package	Assembly
1		1470732	Lever, Brake	1	--
2		16333	Clip, Footrest	1	--
3		1470686	Clip, Frame	1	--
4		16334	Heel Loop (Pair)	1	--
5		1470687	Caster, Directional Locking, Blue Tab	1	--
6		16259	Caster, Locking, Red Tab	1	--
7		1470688	Plate, Threaded	1	--
8		1470689	Footrest Plate	1	--
9		1470690	Seat	1	--
10		1470700	Headrest Assembly without Bracket	1	--
10	A	1905916	Kit, Headrest Bracket	1	--
10		1470971	Holder, Headrest	1	--
10	B	1905917	Holder, Headrest	--	--
11		16434	Fastening Hardware for Backrest	1	--
12		1471143	Cover, Backrest	1	--
13		1470694	Armrest Assembly Left	1	--
14		1470693	Armrest assembly, Right	1	--
15	C	1470696-NLA	NLA - Footrest, Complete - Right	1	--
15		SP1643542	Footrest cpl., Right - Ocean (XL) / VIP / Ocean Ergo Series	1	--
16	D	1470695-NLA	NLA - Footrest, Complete - Left	1	--
16		SP1643541	Footrest cpl., Left - Ocean (XL) / (Dual-)VIP / Ocean Ergo Series	1	--
17		16472	Armrest Pads Incl. Screws Kit	1	--
18		1470698	Kit, Plugs, Sideparts - Rear	1	--
19		1470699	Adapter, Backrest, Triangles with Screws	1	--
20		1470700	Headrest Assembly without Bracket	1	--
20		1470790	Headrest, Complete	1	--
21		1470701	Gas Spring, 330N (units before SN 14KEC030842)	1	--
21		1574477	Gas Spring, 200N (units after SN 14KEC030842)	1	--
22		1470702	Plugs for Sideparts - Front	1	--
23		1470704	Screws for Basic Tube	1	--
24		1514509	Clamp, Headrest	1	--
25		1470929	Holder, Footrest, Ocean VIP	1	--
26		1470703	Mechanism, Release for Gas Spring	1	--
27		1526018	Side Part - Right	1	--
28		1526019	Side Part - Left	1	--
29		1514510	Insert, Armrest	1	--
		1470086	Armrests, Extra Large (Pair)	1	--
		1470685	Brake Cable Assembly	1	--
		10230	Collection Pan with Lid	1	--
		1470076	Holder, Sanitary Pan	1	--
		1470053	Instruction Manual, Ocean VIP	1	--



# Ocean VIP Commode

NOTE: A - Until (10/17/2006).  
B - From (10/18/2006).  
C - Part number 1470696 in No Longer Available, use part number SP1643542 as a replacement.  
D - Part number 1470695 in No Longer Available, use part number SP1643541 as a replacement.

# Ocean E-VIP Commode Before 10/01/21

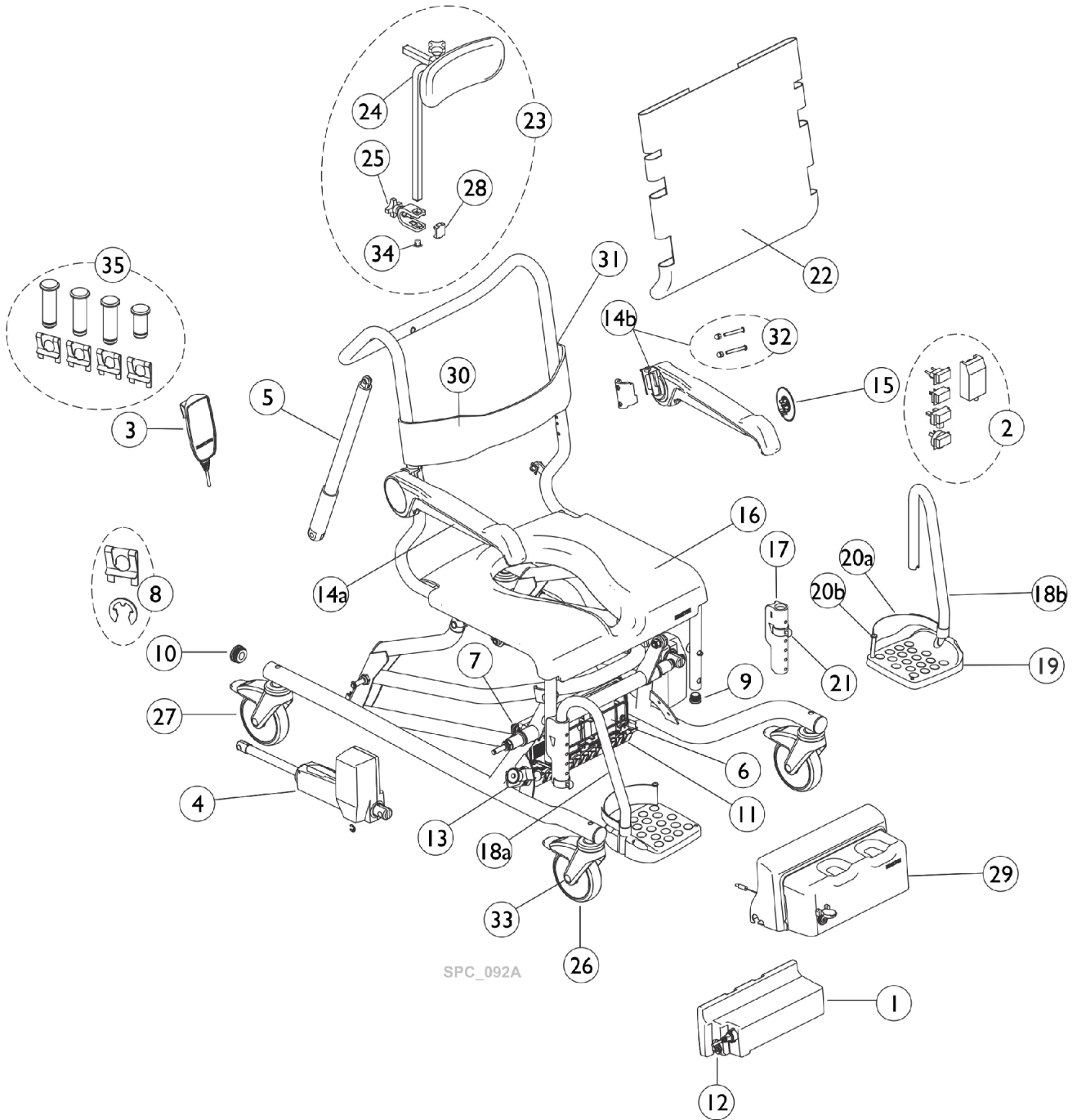


SPC\_017A

## Ocean E-VIP Commode Before 10/01/21

Item Number	Note	Part Number	Description	Quantity Per	
				Package	Assembly
1		1525920	Battery	--	1
2		1471153	Charger	--	1
3		1471154	Hand Control	--	1
4		1471155	Actuator, Height Adjustment	--	2
5		1471156	Actuator, Tilt Adjustment	--	1
6		1471157	Control Box	--	1
7		1471158	Screws, Control Box	--	4
8		1471159	Locking Rings, Actuators	--	8
9		1471160	Plug, Seating Tube	--	2
10		1471161	Plug, Side Tube	--	2
11		1471162	Cable Fixation, Control Box	--	1
12		1471207	Plug, Charging Socket	--	1
13		1471626	Emergency Release	--	1
14		1470694	Armrest Assembly Left	--	1
15		1470693	Armrest assembly, Right	--	1
16		16472	Armrest Pads Incl. Screws Kit	--	2
17		16262	Seat	--	1
18		1470929	Holder, Footrest, Ocean VIP	--	2
19		16432	Footrest, Complete - Left	--	1
20		16433	Footrest, Complete - Right	--	1
21		16260	Plates, Footrest	--	2
22		16334	Heel Loop (Pair)	--	1
23		16333	Clip, Footrest	--	2
24		1471143	Cover, Backrest	--	1
25		1470790	Headrest, Complete	--	1
26		1470971	Holder, Headrest	--	1
27		1470700	Headrest Assembly without Bracket	--	1
28		1514509	Clamp, Headrest	--	1
29		1470687	Caster, Directional Locking, Blue Tab	--	1
30		16259	Caster, Locking, Red Tab	--	3
31		1470081	Chest Belt Padded w/ Stainless Hardware	--	1
32		1522314	Bracket, Fixing, Chest Restraint	--	1
33		1471052	Ocean Armrest Kit Parts	--	1
34		1513809	Cover Cap for 5" Wheel	--	1
35		1525709	Battery Cover	--	1
		1522315	Bracket, Fixing, Pelvis Restraint	--	1
		1470082	Pelvis Belt Padded w/Stainless Hardware	--	1
		1536056	Peg, Heel Strap	--	1
		1536057	Screw, Phillips, Delta Point (K45 x 16mm)	--	1
		1470700	Headrest Assembly without Bracket	--	1

# Ocean E-VIP Commode After 09/30/21



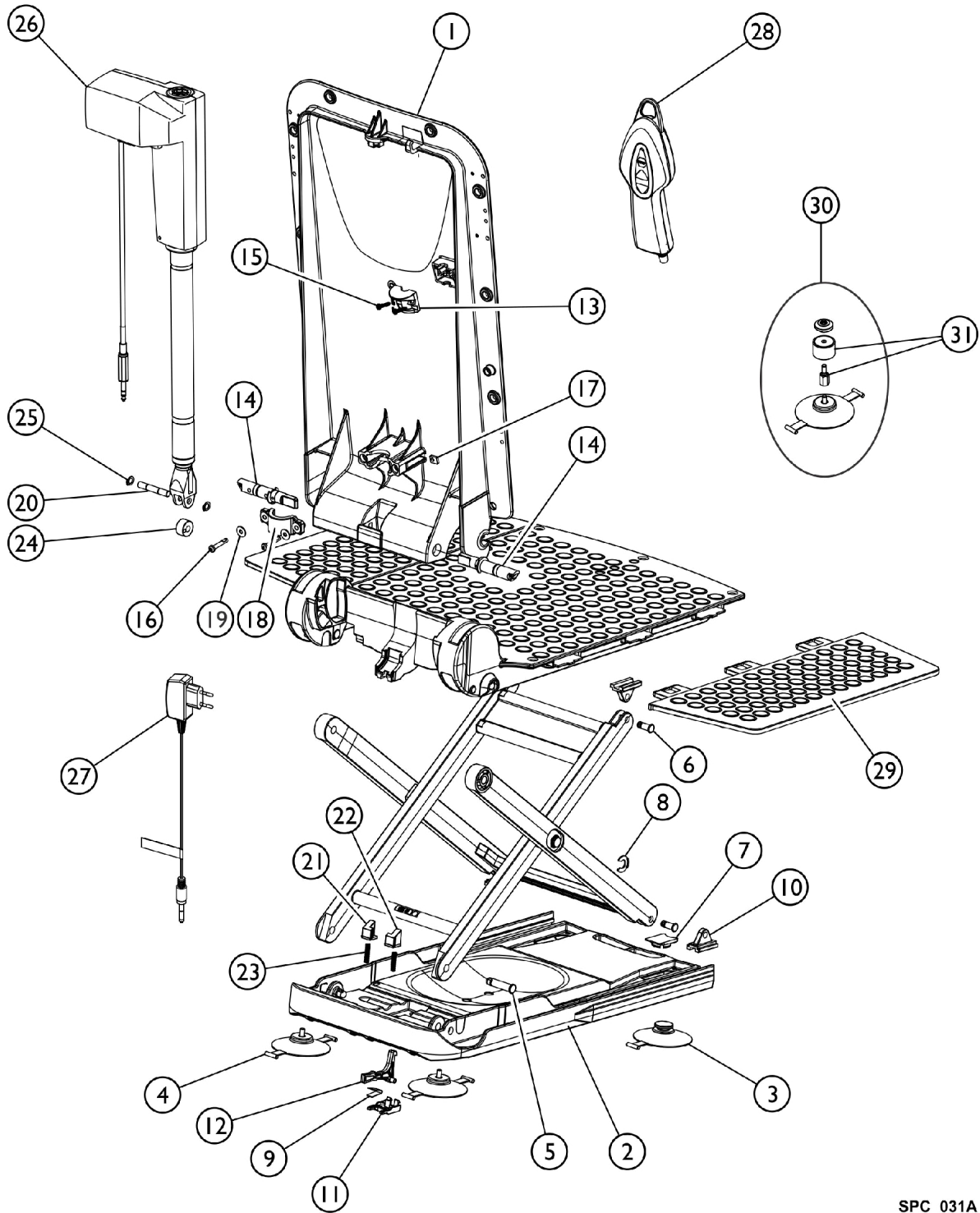
SPC\_092A

## Ocean E-VIP Commode After 09/30/21

Item Number	Note	Part Number	Description	Quantity Per	
				Package	Assembly
1		1525920	Battery	--	1
2		1471153	Charger	--	1
3		1471154	Hand Control	--	1
4		1471155	Actuator, Height Adjustment	--	2
5		1471156	Actuator, Tilt Adjustment	--	1
6		1471157	Control Box	--	1
7		1471158	Screws, Control Box	--	4
8		1471159	Locking Rings, Actuators	--	8
9		1471160	Plug, Seating Tube	--	2
10		1471161	Plug, Side Tube	--	2
11		1471162	Cable Fixation, Control Box	--	1
12		1471207	Plug, Charging Socket	--	1
13		1471626	Emergency Release	--	1
14a	A	SP1647583	Armrest Assembly 2.0 w/ Hardware, Right	--	1
14b	A	SP1647584	Armrest Assembly 2.0 w/ Hardware, Left	--	1
15		SP1643752	Cover, Armrest 2.0	--	1
		AP1643748	Armrest Pad, 2.0 (1 Pad)	--	2
16		16262	Seat	--	1
17		1470929	Holder, Footrest, Ocean VIP	--	2
18a		16433	Footrest, Complete - Right	--	1
18b		16432	Footrest, Complete - Left	--	1
19		16260	Plates, Footrest	--	2
20a		16334	Heel Loop (Pair)	--	1
20b		SP1607170	Hdwr., heel strap - Ocean (24") Ergo (XL)	--	2
21		16333	Clip, Footrest	--	2
22		1471143	Cover, Backrest	--	1
23		1470790	Headrest, Complete	--	1
24		1470700	Headrest Assembly without Bracket	--	1
25		1470971	Holder, Headrest	--	1
26		16259	Caster, Locking, Red Tab	--	3
27		1470687	Caster, Directional Locking, Blue Tab	--	1
28		1514509	Clamp, Headrest	--	1
29		1525709	Battery Cover	--	1
30		1470081	Chest Belt Padded w/ Stainless Hardware	--	1
31		1522314	Bracket, Fixing, Chest Restraint	--	2
32		SP1647608	Screws (Set) for Armrest 2.0	--	2
33		SP1643854	Cover Cap for 5" Wheel	--	4
34		SP60122636	Plugs, Headrest Tube (10 pcs.)	--	3
35		SP60131921	Bolt and Clips (Set)	--	1

NOTE: A - Armrest 2.0 implementation serial number started with 21JEC070001

# Orca Bathlift (from May 2015)



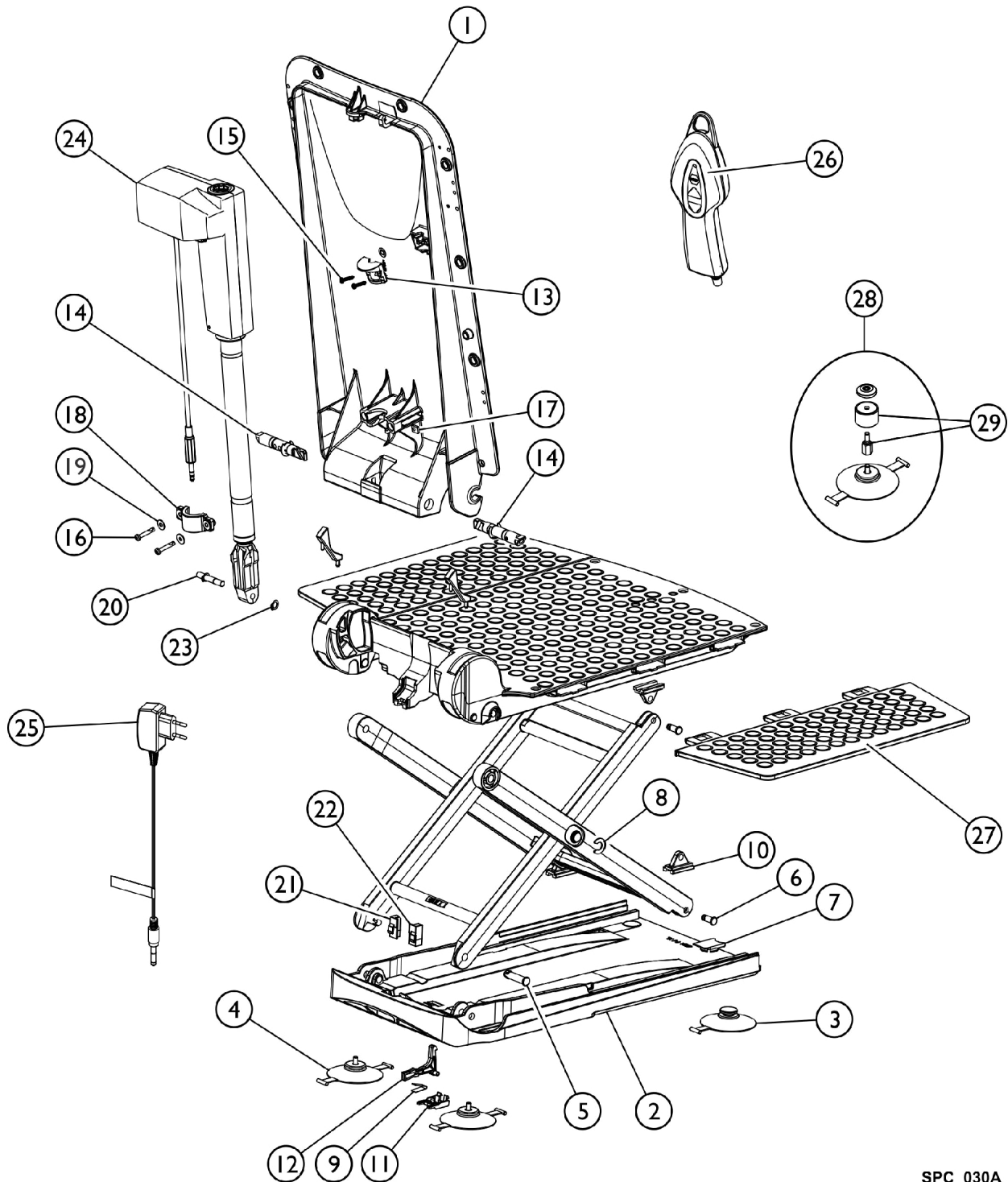
SPC\_031A

## Orca Bathlift (from May 2015)

Item Number	Note	Part Number	Description	Quantity Per	
				Package	Assembly
1		1563010	Frame, Backrest, Orca (Lifts built after May 2015)	1	--
2		1563011	Plate, Base, Orca (May 2015)	1	--
2		16441	Plate, Base, Orca (Before May 2015)	1	--
		15353	Cups, Suction, Screw-In and Toggle (Set) (8 cm)	1	--
3		15072	Cups, Suction with Toggle (Pair)	1	--
4		15071	Cups, Suction, Screw-in (Pair)	1	--
5		16679	Bolt (10mm)	1	--
6		15105	Bolt for Gliding Shoe	1	--
7		15121	Cap for Suction Cup	1	--
8		15344	Washer, Securing	1	--
9		15415	Spring	1	--
10		16446	Shoe, Gliding	1	--
11		16448	Latch, Bushing	1	--
12		16449	Latch	1	--
13		16455	Holding Device (Excluding Screws)	1	--
14		1470579	Bolt, Right	1	--
14		1470580	Bolt, Left	1	--
15		15348	Screws, Phone Jack (40 x 22)	1	--
16		16781	Lens Head Screw DIN 7985, M5 x 30	1	--
17		16779	Nut for Actuator Fastening	1	--
18		16778	Clamp, Pipe, Actuator Fastening	1	--
19		16780	Washer A2 DIN 9021	1	--
20		16793	Axle	1	--
21		16791	Locking - Left	1	--
22		16792	Locking - Right	1	--
23		16794	Pressure Spring for Locking	1	--
24		16450	Pulley	1	--
25		16456	Ring, Retaining, A2	1	--
26		16782	Actuator, Aquatec R	1	--
27		16580	Charger, Battery	1	--
28		1470902	Hand Control, Complete	1	--
29		15892	Flap, Side with Film Hinge	1	--
30		15170	Kit, Conversion Height Adapter (2 cm)	1	--
31		14694	Adapters, Height (Set)	1	--
	A	1581058	Backrest and Seat Plate Replacement	1	--
		16606	Cover, Seat, White	1	1
		1470765	Cover, Seat, Blue	1	--
		16604	Cover, Backrest, White	1	--
		1470766	Cover, Backrest, Blue	1	--
		1470576	Cover Set, Seat and Backrest, White	1	--
		1470767	Cover Set, Seat and Backrest, Blue	1	--

NOTE: A - For lifts produced (Before May 2015).

# Orca F Bathlift (from June 2015)



SPC\_030A

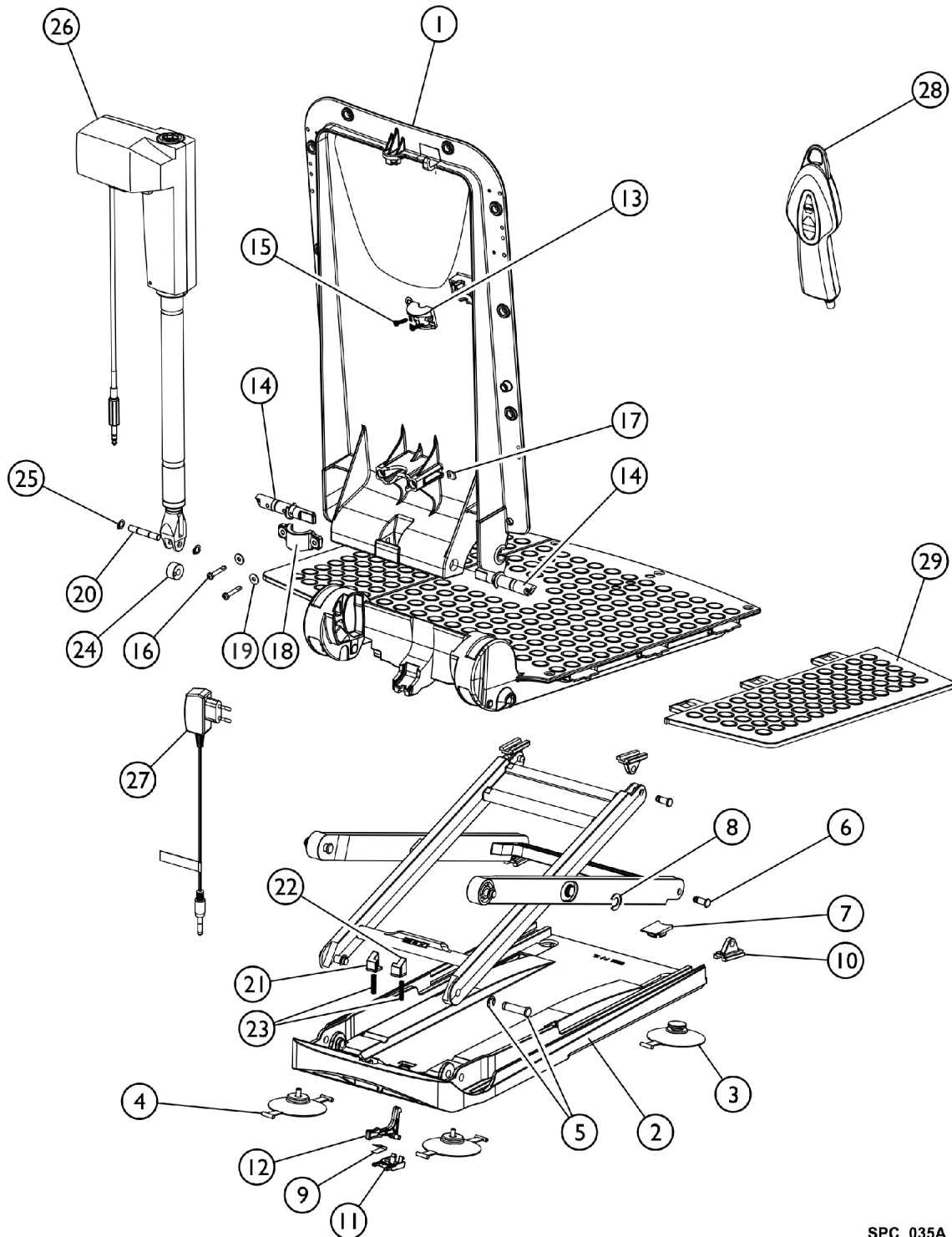


## Orca F Bathlift (from June 2015)

Item Number	Note	Part Number	Description	Quantity Per	
				Package	Assembly
1		16440	Backrest, Frame	1	--
2		1471054	Base Plate	1	--
3		15072-NLA	Cups, Suction with Toggle (Pair)	1	--
4		15071	Cups, Suction, Screw-in (Pair)	1	--
		15353	Cups, Suction, Screw-In and Toggle (Set) (8 cm)	1	--
		16240AQT	Suction Cup, Black (130mm) (Pkg. of 4)	1	--
5		16679	Bolt (10mm)	1	--
6		15105	Bolt for Gliding Shoe	1	--
7		15121	Cap for Suction Cup	1	--
8		15344	Washer, Securing	1	--
9		15415	Spring	1	--
10		16446	Shoe, Gliding	1	--
11		16448	Latch, Bushing	1	--
12		16449	Latch	1	--
13		16455	Holding Device (Excluding Screws)	1	--
14		1471058	Bolt, Right	1	--
15		15348	Screws, Phone Jack (40 x 22)	1	--
16		16781	Lens Head Screw DIN 7985, M5 x 30	1	--
17		16779	Nut for Actuator Fastening	1	--
18		16778	Clamp, Pipe, Actuator Fastening	1	--
19		16780	Washer A2 DIN 9021	1	--
20		16793	Axle	1	--
21		1471057	Locking Pin, Left	1	--
22		1471056	Locking Pin, Right	1	--
23		16456	Ring, Retaining, A2	1	--
24		1471060	Actuator, Aquatec F	1	--
25		16580	Charger, Battery	1	--
26		1470902	Hand Control, Complete	1	--
27		15892	Flap, Side with Film Hinge	1	--
28		15170	Kit, Conversion Height Adapter (2 cm)	1	--
29		14694	Adapters, Height (Set)	1	--
		15298	Kit, Conversion without Height Adapters	1	--
		16804	Scissors, Lifting	1	--
	A	1581058	Backrest and Seat Plate Replacement	1	--

NOTE: A - For lifts produced before May 2015.

# Orca XL Bath Lift (from May 2015)



SPC\_035A

## Orca XL Bath Lift (from May 2015)

Item Number	Note	Part Number	Description	Quantity Per	
				Package	Assembly
1		1563010	Frame, Backrest, Orca (Lifts built after May 2015)	1	--
2		1471054	Base Plate	1	--
		15353	Cups, Suction, Screw-In and Toggle (Set) (8 cm)	1	--
3		15072-NLA	Cups, Suction with Toggle (Pair)	1	--
4		15071	Cups, Suction, Screw-in (Pair)	1	--
5		1471088	Bolt, Steel	1	--
5		1471089	Washer, Thrust for Steel Bolt	1	--
6		15105	Bolt for Gliding Shoe	1	--
7		15121	Cap for Suction Cup	1	--
8		15344	Washer, Securing	1	--
9		15415	Spring	1	--
10		16446	Shoe, Gliding	1	--
11		16448	Latch, Bushing	1	--
12		16449	Latch	1	--
13		16455	Holding Device (Excluding Screws)	1	--
14		1470579	Bolt, Right	1	--
14		1470580	Bolt, Left	1	--
15		15348	Screws, Phone Jack (40 x 22)	1	--
16		16781	Lens Head Screw DIN 7985, M5 x 30	1	--
17		16779	Nut for Actuator Fastening	1	--
18		16778	Clamp, Pipe, Actuator Fastening	1	--
19		16780	Washer A2 DIN 9021	1	--
20		16793	Axle	1	--
21		16791	Locking - Left	1	--
22		16792	Locking - Right	1	--
23		16794	Pressure Spring for Locking	1	--
24		16450	Pulley	1	--
25		16456	Ring, Retaining, A2	1	--
26		1471062	Actuator, Aquatec XL	1	--
27		16580	Charger, Battery	1	--
28		1470902	Hand Control, Complete	1	--
29		15892	Flap, Side with Film Hinge	1	--
		1470576	Cover Set, Seat and Backrest, White	1	--
		1470767	Cover Set, Seat and Backrest, Blue	1	--
		16606	Cover, Seat, White	1	--
		1470765	Cover, Seat, Blue	1	--
		16604	Cover, Backrest, White	1	--
		1470766	Cover, Backrest, Blue	1	--

**Invacare Corporation**

[www.invacare.ca](http://www.invacare.ca)



**Yes, you can.**

570 Matheson Blvd.  
Mississauga, Ontario,  
L4Z 4G4 Canada  
800-668-5324

Technical Support  
8006685324 x2655  
Customer Service  
800-668-5324

Literature  
800-668-5324  
or [www.invacare.ca](http://www.invacare.ca)

© 2022 Invacare Corporation. All rights reserved. Republication, duplication or modification in whole or in part is prohibited without prior written permission from Invacare. Trademarks are identified by <sup>TM</sup> and ©. All trademarks are owned by or licensed to Invacare Corporation or its subsidiaries unless otherwise noted. (Revised 10/25/22)

Form No. 07-611C