

Lynx L-3X Scooter Series



Yes, you can.

Parts Catalog Usage Guide

The information contained in this document is subject to change without notice. This catalog contains service parts for Form No. 07-080. If you have any questions regarding this catalog, please contact one of our Customer Service Representatives.

For Customer Service Support Call:

1-800-333-6900

For Faxed In Orders Call:

1-800-678-4682 or

1-440-366-0709

For Technical Service Call:

1-800-832-4707

Literature Can Be Found at:

www.invacare.com or

1-800-828-6272

SYMBOL DEFINITION

Throughout this catalog you will notice letters to draw your attention to specific footnotes which are located at the bottom of the page or below specified charts.

Examples:

A,B,C etc. = Special Comments

NOTE: = General information pertaining to that specific page

NLA = No Longer Available

HARDWARE MEASUREMENTS

The measurements for the hardware will be listed as follows:

Screws, Bolts Diameter X Thread Count/Pitch X Length

Washers Inside Diameter X Outside Diameter X Thickness

Spacers Inside Diameter X Outside Diameter X Length

For your convenience, we have supplied an area for you to list your Invacare Representatives.

Name	Phone Numbers

© 2022 Invacare Corporation. Elyria, Ohio. Invacare, the Medallion Design and Yes, you can. are registered trademarks and Lynx is a trademark of Invacare Corporation.

TABLE of CONTENTS

Description	Page Number
Chargers, Controller & Cable Cover	14
Floor Mats - Main & Rear Shrouds	6
Frame Finishes and Touch-Up Paint	3
Lower Tiller Assembly w/ Caster	18
Motor - Transaxle & Rear Wheel	16
Seat & Arms - L-3X	4
Tiller Maintenance	9
Wire Harnesses & Battery Straps	12

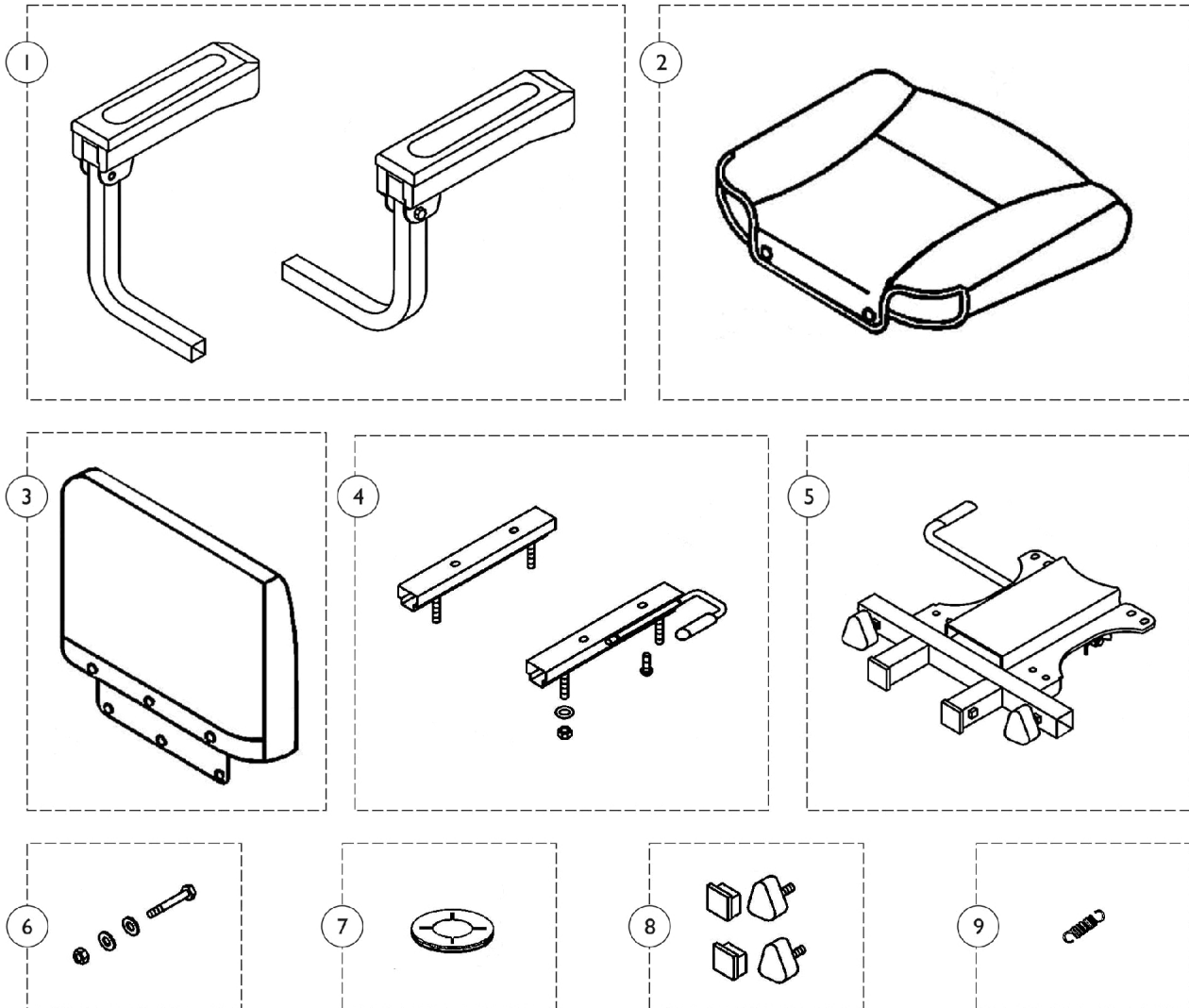
Frame Finishes and Touch-Up Paint

Touch-Up Paint (.6 oz.)	Color
1149226-NLA See Note(s) A	Paint, Touch-Up, Blue
1169179-NLA See Note(s) B	Paint, Touch-Up, Onyx Blue
1101318-NLA	Paint, Touch-Up, Silver

NOTE: A - To be used on scooters built before serial number 10BCT600382.
B - To be used on scooter built after serial number 10BCT600381.

Seat and Arms - L-3X

NOTE: A full seat assembly is not available at this time, please order seat components separately.



Seat and Arms - L-3X

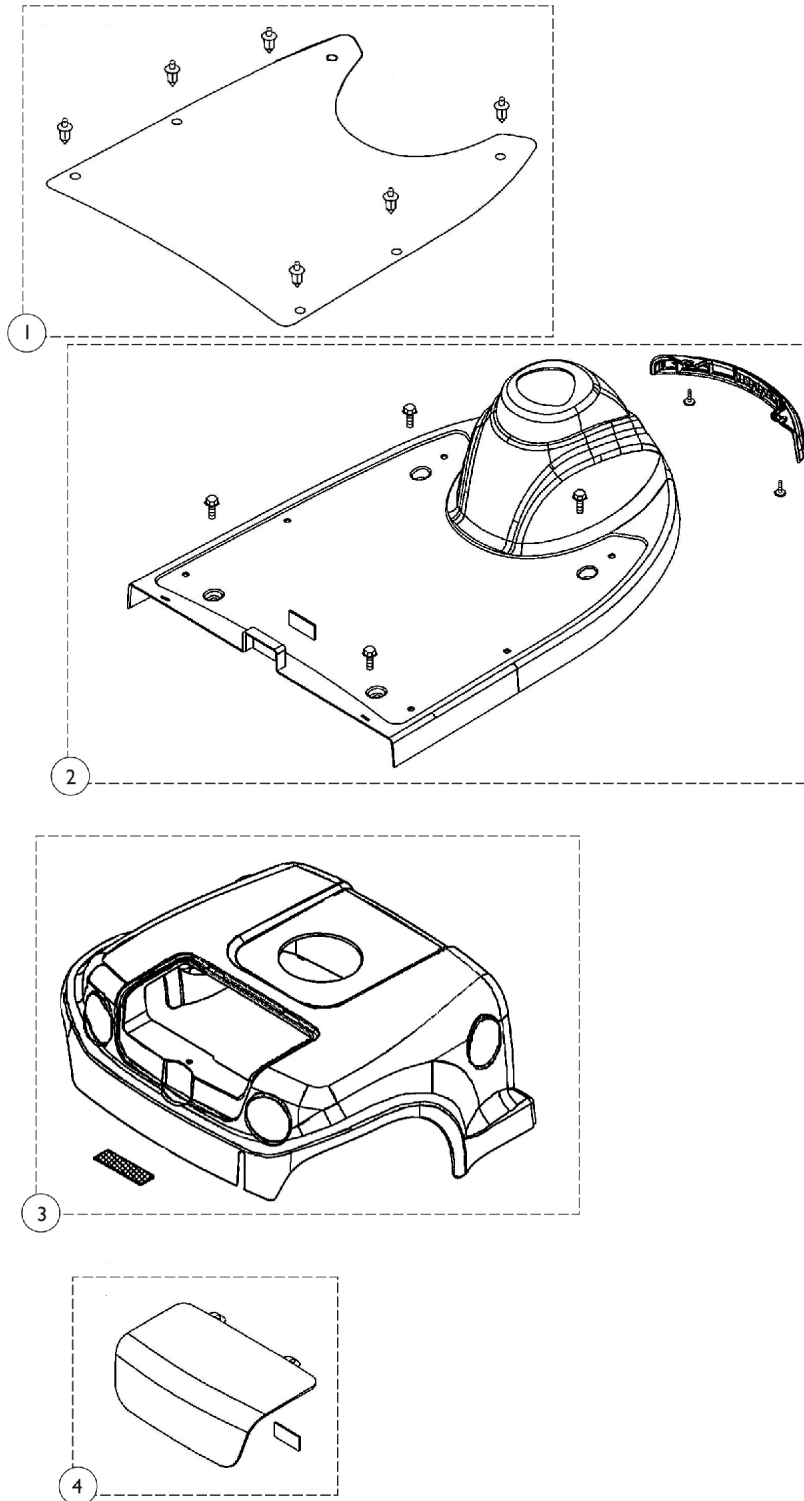
NOTE: A full seat assembly is not available at this time, please order seat components separately.

Item Number	Note	Part Number	Description	Quantity Per	
				Package	Assembly
1		1168468	Arm Assembly (Pair)	2	1
			Arm Assembly - Right	1	1
			Arm Assembly - Left	1	1
2	C	1148847-NLA	NLA - Cover, Seat	1	1
2	D	1168466	Cover, Seat	1	1
3	C	1148848-NLA	NLA - Cover, Backrest	1	1
3	D	1168465	Cover, Backrest	1	1
4		1148845	Kit, Seat Slide	1	1
5		1148846-NLA	NLA - Seat Bracket Assembly	1	1
5	D	1169832	Seat Bracket Assembly	1	1
6		1148850-NLA	NLA - Hardware, Seat Post Includes: (1) ea. Nylon Nut, (1) ea. Bolt, & (2) ea. Washers.	1	1
7		1148852	Liner, Shroud/Guide Seat	1	1
8		1148849-NLA	NLA - Kit, Plugs and Knobs Includes: (2) ea. Screws & (2) ea. Plugs.	1	1
9		1144812	Spring, Seat Lever	1	1

NOTE: C - Before 9/7/10
D - After 9/6/10

Floor Mats, Main and Rear Shrouds

Due to design change, Invacare recommends replacing all blue shrouds on scooters manufactured after serial number 10BCT600381 in order to maintain a unified appearance.



Floor Mats, Main and Rear Shrouds

Due to design change, Invacare recommends replacing all blue shrouds on scooters manufactured after serial number 10BCT600381 in order to maintain a unified appearance.

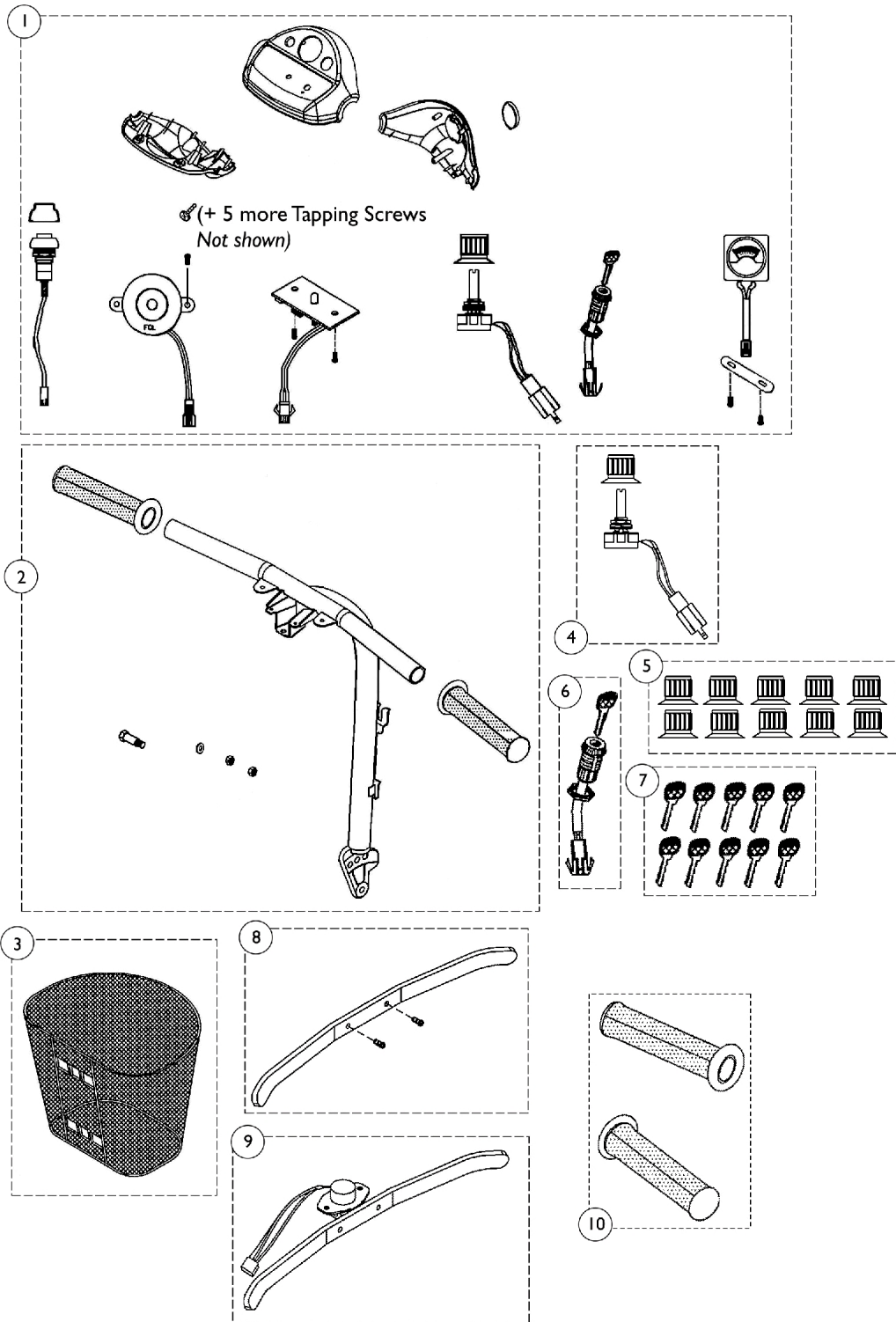
Item Number	Note	Part Number	Description	Quantity Per	
				Package	Assembly
1		1148851	Kit, Floor Mat w/ Hardware Includes: (1) ea. Rubber Pad and (6) ea. Push Rivets.	1	1
2	A	1144816	Package, Push Rivet	25	1
		1148855	Kit, Floor Shroud, Red Includes: (1) ea. 3-D Invacare Logo, (1) ea. Front Shroud - Red, (4) ea. Shield Bolts, (1) ea. Front Bumper Cover, (2) ea. Bolt, (1) ea. Hook & Loop, (1) ea. Weight Capacity Decal, and (1) ea. Warning Label.	1	1
2	B	1148856	Kit, Floor Shroud, Blue Includes: (1) ea. 3-D Invacare Logo, (1) ea. Front Shroud - Blue, (4) ea. Shield Bolts, (1) ea. Front Bumper Cover, (2) ea. Bolt, (1) ea. Hook & Loop, (1) ea. Weight Capacity Decal, and (1) ea. Warning Label.	1	1
2	C	1148171	Kit, Floor Shroud, Onyx Includes: (1) ea. 3-D Invacare Logo, (1) ea. Front Shroud - Onyx, (4) ea. Shield Bolts, (1) ea. Front Bumper Cover, (2) ea. Bolt, (1) ea. Hook & Loop, (1) ea. Weight Capacity Decal, and (1) ea. Warning Label.	1	1
3		1148857	Kit, Rear Shroud, Red Includes: (1) ea. Drive/Push Decal, (1) ea. Rear Shroud - Red, (1) ea. Hook & Loop, and (2) ea. Lynx Side Logo Decals.	1	1
3	B	1148858	Kit, Rear Shroud, Blue Includes: (1) ea. Drive/Push Decal, (1) ea. Rear Shroud - Blue, (1) ea. Hook & Loop, and (2) ea. Lynx Side Logo Decals.	1	1

Floor Mats, Main and Rear Shrouds

Due to design change, Invacare recommends replacing all blue shrouds on scooters manufactured after serial number 10BCT600381 in order to maintain a unified appearance.

Item Number	Note	Part Number	Description	Quantity Per	
				Package	Assembly
3	C	1148172	Kit, Rear Shroud, Onyx Includes: (1) ea. Drive/Push Decal, (1) ea. Rear Shroud - Onyx, (1) ea. Hook & Loop, and (2) ea. Lynx Side Logo Decals.	1	1
4		1148853	Cover, Shroud Tail w/ Decal, Red	1	1
4	B	1148854-NLA	NLA - Cover, Shroud Tail w/ Decal, Blue	1	1
4	C	1169667	Cover, Shroud Tail w/ Decal, Onyx	1	1
NOTE: A - Not Shown B - To be used on scooters built before serial number 10BCT600382. C - To be used on scooter built after serial number 10BCT600381.					

Tiller Maintenance



Tiller Maintenance

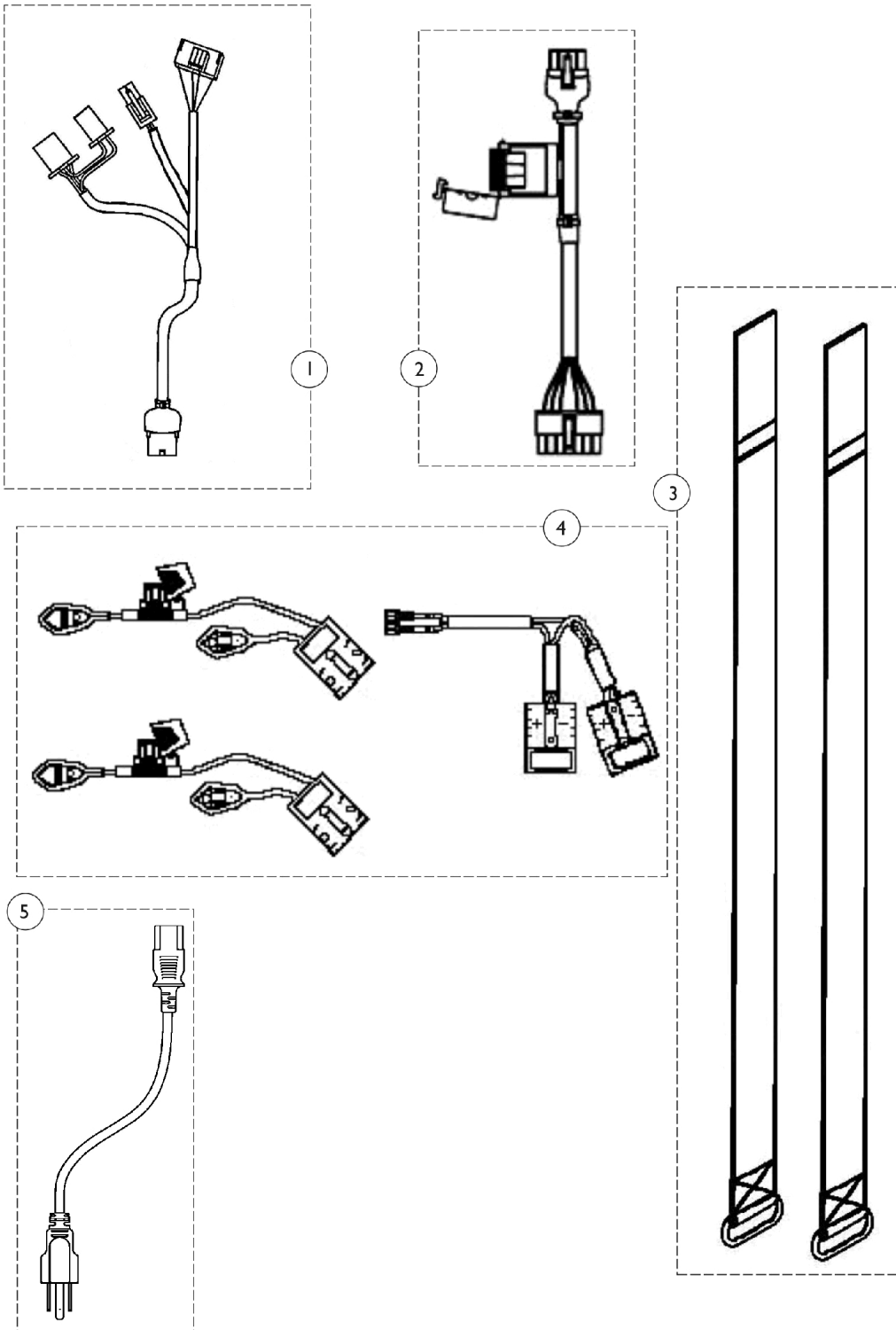
Item Number	Note	Part Number	Description	Quantity Per	
				Package	Assembly
1	A	1148838	Kit, Tiller Cover, Red Includes: (1) ea. Upper Steering Cover, (1) ea. Front Steering Cover - Red, (1) ea. Rear Steering Cover - Red, (1) ea. Faceplate Decal, (1) ea. Reflector, (6) ea. Tapping Screws, (1) ea. Volt Meter, (2) ea. Screw, (1) ea. Speed Pot, (1) ea. Speed Control Knob, (1) ea. Ignition Switch w/ Key, (1) ea. Horn speaker, (2) ea. Screw, (1) ea. 2-Pole Switch Complete, (1) ea. Splash Cap Complete, (1) ea. Meter PC Board, and (2) ea. Screws.	1	1
1	A,B	1148839	Kit, Tiller Cover, Blue Includes: (1) ea. Upper Steering Cover, (1) ea. Front Steering Cover - Blue, (1) ea. Rear Steering Cover - Blue, (1) ea. Faceplate Decal, (1) ea. Reflector, (6) ea. Tapping Screws, (1) ea. Volt Meter, (2) ea. Screw, (1) ea. Speed Pot, (1) ea. Speed Control Knob, (1) ea. Ignition Switch w/ Key, (1) ea. Horn speaker, (2) ea. Screw, (1) ea. 2-Pole Switch Complete, (1) ea. Splash Cap Complete, (1) ea. Meter PC Board, and (2) ea. Screws.	1	1

Tiller Maintenance

Item Number	Note	Part Number	Description	Quantity Per	
				Package	Assembly
1	C	1169666	Kit, Tiller Cover, Onyx Includes: (1) ea. Upper Steering Cover, (1) ea. Front Steering Cover - Onyx, (1) ea. Rear Steering Cover - Onyx, (1) ea. Faceplate Decal, (1) ea. Reflector, (6) ea. Tapping Screws, (1) ea. Volt Meter, (2) ea. Screw, (1) ea. Speed Pot, (1) ea. Speed Control Knob, (1) ea. Ignition Switch w/ Key, (1) ea. Horn speaker, (2) ea. Screw, (1) ea. 2-Pole Switch Complete, (1) ea. Splash Cap Complete, (1) ea. Meter PC Board, and (2) ea. Screws.	1	1
2		1148841	Kit, Steering Bar Includes: (1) ea. Steering Bar, (2) ea. Hand Grips, (1) ea. Plain Washer, (2) ea. Nylon Washer, and (1) ea. Bolt.	1	1
3	D	1148861-NLA	NLA - Basket	1	1
3		1577430	Front Composite Basket	1	1
4	A	1144791	Kit, Speed Pot - Includes: Speed Control Knob (1) and Speed Pot - 30 K Ohms (1)	1	1
5	A	1144792	Package, Speed Control Knob	10	1
6		1144793	Ignition Switch with Key Assembly	1	1
7		1144794	Package, Ignition Key	10	1
8		1144796	Throttle Lever w/ Hardware	1	1
9		1144795	Throttle Pot and Lever Assembly	1	1
10		1144802	Hand Grip (Pair)	2	1

NOTE: A - Due to design change, the knob may be different in appearance but is functionally equivalent to the original knob.
 B - To be used on scooters built before serial number 10BCT600382.
 C - To be used on scooter built after serial number 10BCT600381.
 D - Basket No Longer Available. Order part number 1577430 as a replacement.

Wire Harnesses & Battery Straps

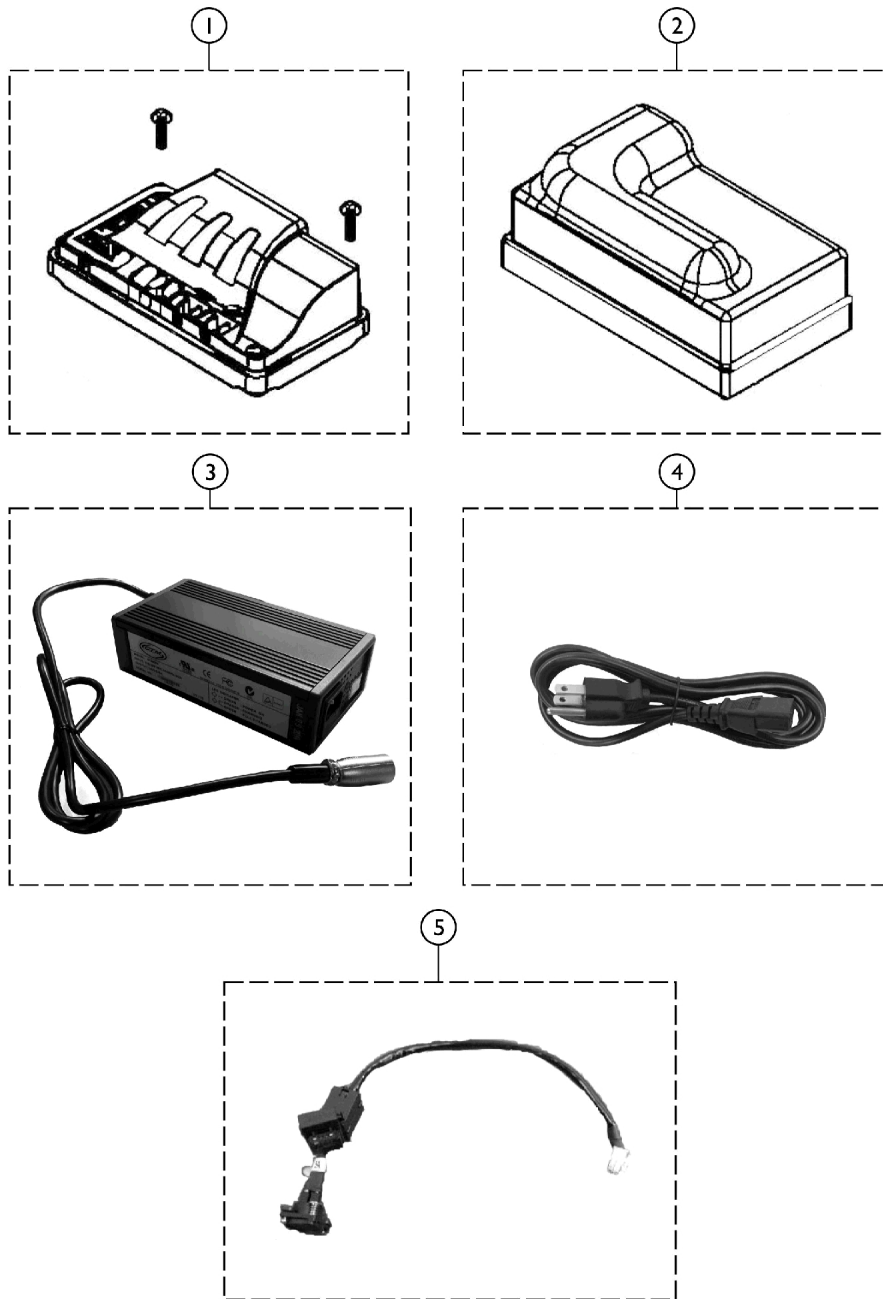


Wire Harnesses & Battery Straps

Item Number	Note	Part Number	Description	Quantity Per	
				Package	Assembly
1		1148831	Harness, Front Wiring	1	1
2		1148832-NLA	NLA - Kit, Rear Wiring Harness	1	1
3		1148834	Strap, Battery	1	1
4		1148833	Kit, Battery Wiring	1	1
5		1144798	Cable, Charger	1	1
	A	1144835	Fuse (3 AMP)	1	1
	A	1144836	Fuse (5 AMP)	1	1

NOTE: A - Not shown

Chargers - Controller & Cable Cover

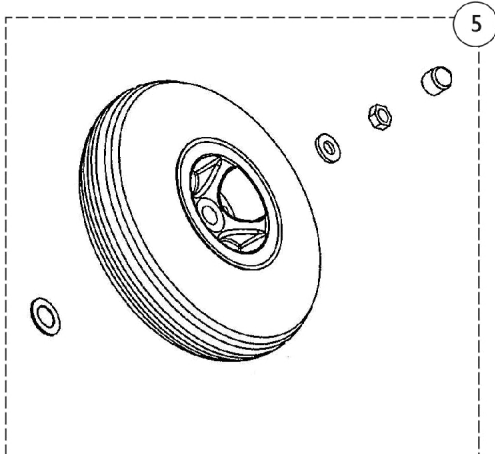
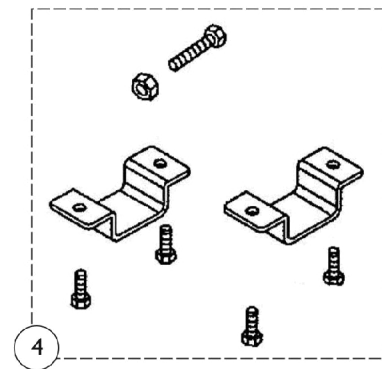
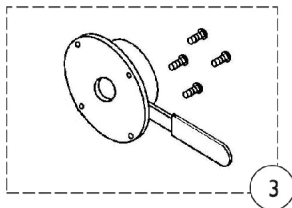
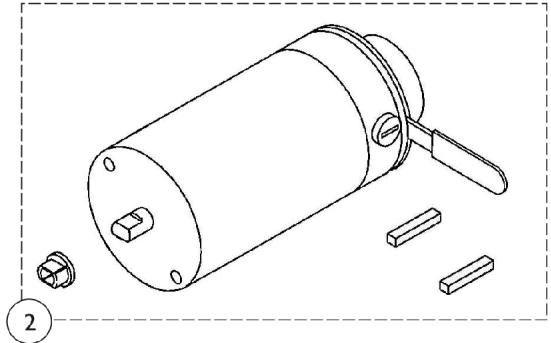
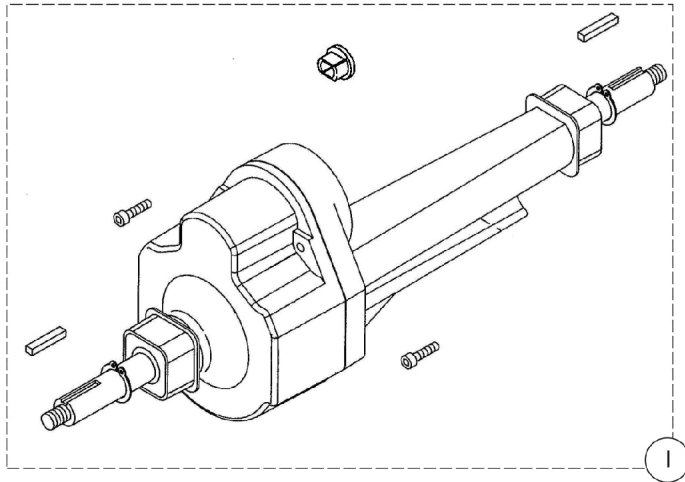


SCP_029A

Chargers - Controller & Cable Cover

Item Number	Note	Part Number	Description	Quantity Per	
				Package	Assembly
1	A,B	1148828	Controller R-Series (DR-90) w/ Hardware	1	1
2		1148829-NLA	NLA - Cover, Plastic Cable	1	1
3	A,C	1148830	Charger, Off-Board, 24 DC (5 AMP)	1	1
4		1144798	Cable, Charger	1	1
5		1165866	Cable, Charger w/ Fuse	1	1
NOTE: A - The Controller and Charger may or may not reflect the true look of the controller supplied. B - Includes controller and (2) attaching screws. C - The Charger does not come with the Power Cable, order 1144798 when ordering this item.					

Motor, Transaxle & Rear Wheel



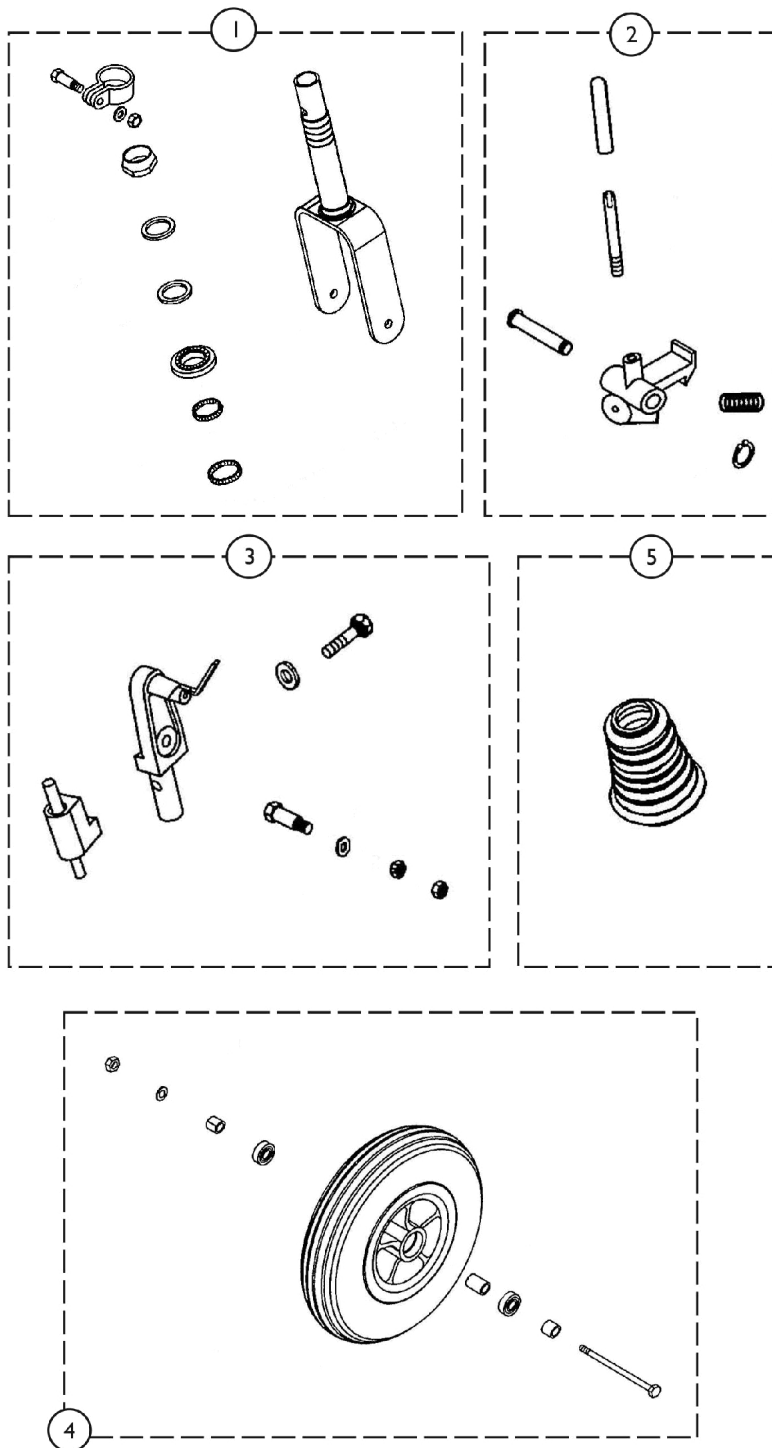
Motor, Transaxle & Rear Wheel

Motor, Transaxle & Rear Wheel

Item Number	Note	Part Number	Description	Quantity Per	
				Package	Assembly
1		1148824	Kit, Transaxle Includes: (1) ea. Differential, (2) ea. Keys, (2) ea. Bolts, (1) ea. Guide, and (1) ea. Decal, Inspection.	1	1
2		1148825	Kit, Motor with Brake Includes: (1) ea. Motor Assembly, (1) ea. Guide, and (2) ea. Keys.	1	1
3		1148827	Kit, Brake with Hardware Includes: (1) ea. Brake and (4) ea. Screw M4 x 8L.	1	1
4		1148835	Kit, Transaxle Hardware Includes (2) ea. Holder, Differential, (4) ea. Bolt M6 x 12L, (1) ea. Bolt M8 x 25L, and (1) ea. Nut.	1	1
5		1148860	Kit, Rear Wheel Includes: (2) ea. Spacers. (1) ea. Rear Wheel, (1) ea. Plain Washer, (1) ea. Nylon Nut, and (1) ea. Cap Washer.	1	1
6	A	1144824	Kit, Anti-Tip Wheels Includes: (2) ea. Nylon Nut, (4) ea. Bearings, (2) ea. Bolts, and (2) ea. Anti-Tip Wheels	1	1

NOTE: A - Not shown in illustration.

Lower Tiller Assembly w/ Caster



Lower Tiller Assembly w/ Caster

Item Number	Note	Part Number	Description	Quantity Per	
				Package	Assembly
1		1148840-NLA	NLA - Kit, Fork w/ Hardware Includes: (1) ea. Fork, (1) ea. Padlock, (1) ea. Steering Nut, (1) ea. Plain Washer, (1) ea. Tooth Washer, (1) ea. Steering Race, and (2) ea. Set Bearing.	1	1
2		1148836-NLA	NLA - Kit, Frame Connection Included: (1) ea. Frame Hook, (1) ea. Hook Pin, (1) ea. C-Ring, (1) ea. Spring, (1) ea. Lever, & (1) ea. Lever Cap.	1	1
3		1148837	Kit, Lower Steering Hardware Includes: (1) ea. Steering Adj., (1) ea. Plain Washer, (2) ea. Nylon Nut, (1) ea. Bolt, (1) ea. Joint Bolt, (1) ea. Washer, & (1) ea. Guide Complete.	1	1
4		1148859	Kit, Front Wheel Includes: (2) ea. Nylon Nuts, (1) ea. Front Wheel Assembly, (1) ea. Plain Washer, (1) ea. Bolt, & (2) ea. Spacers.	1	1
5		1144806-NLA	NLA - Boot, Bellow, Tiller	1	1

Invacare Corporation

www.invacare.com



Yes, you can.

One Invacare Way
Elyria, Oh USA
44036-2125
800-333-6900

Technical Support
800-832-4707
Customer Service
800-333-6900

Literature Orders
800-333-6900

© 2022 Invacare Corporation. All rights reserved. Republication, duplication or modification in whole or in part is prohibited without prior written permission from Invacare. Trademarks are identified by TM and ©. All trademarks are owned by or licensed to Invacare Corporation or its subsidiaries unless otherwise noted. (Revised 05/18/22)

Form No. 07-080