

**Pronto® M41™ with SureStep®
Power Wheelchair**



Yes, you can.

Parts Catalog Usage Guide

The information contained in this document is subject to change without notice. This catalog contains service parts for Form No. 06-108. If you have any questions regarding this catalog, please contact one of our Customer Service Representatives.

For Customer Service Support Call:

1-800-333-6900

For Faxed In Orders Call:

1-800-678-4682 or

1-440-366-0709

For Technical Service Call:

1-800-832-4707

Literature Can Be Found at:

www.invacare.com or

1-800-828-6272

SYMBOL DEFINITION

Throughout this catalog you will notice letters to draw your attention to specific footnotes which are located at the bottom of the page or below specified charts.

Examples:

A,B,C etc. = Special Comments

NOTE: = General information pertaining to that specific page

NLA = No Longer Available

HARDWARE MEASUREMENTS

The measurements for the hardware will be listed as follows:

Screws, Bolts Diameter X Thread Count/Pitch X Length

Washers Inside Diameter X Outside Diameter X Thickness

Spacers Inside Diameter X Outside Diameter X Length

For your convenience, we have supplied an area for you to list your Invacare Representatives.

Name	Phone Numbers

© 2022 Invacare Corporation. Elyria, Ohio. Invacare, Yes, you can., the Medallion Design, Pronto, and SureStep are registered trademarks and M41, MK5, NX, and SPJ are trademarks of Invacare Corporation.

TABLE of CONTENTS

Description	Page Number
Arms - Van Seat & Hardware	13
Battery Harnesses	26
Casters & Forks	22
Electronics - Joystick/Controller - A-Series Integrated (For Ser. #'s 08DSZ190001 - 09ESZ) .	49
Electronics - MK5 NX Controllers & Battery Charger (For Ser. #'s Before 08C & After 09F) ...	51
Electronics - MK5 SPJ+ Joystick & Mounting Hardware (For Ser. #'s Before 08C & After 09F)	47
Frame - Base and Seat Post Assembly	7
Frame Finish - Touch Up Paint & Shroud Colors	4
Frames - Seat Van & Mounting Hardware	11
Front Riggings - Footboard Assembly - 90FB	28
Front Riggings - Footrest Support - Hemi - PHW93	35
Front Riggings - Front Rigging Hangers - Hemi	30
Front Riggings - Legrest Support - Articulating - Hemi - PHAL4A	40
Front Riggings - Legrest Support - Hemi - PH904A	37
Front Riggings - Pivot/Slide Tube & Footplates - PH904A & PHAL4A	45
Front Riggings - Pivot/Slide Tube & Footplates - PHW93	43
Front Riggings - Reference Chart	32
Motors - Drive Wheel & Hardware	24
Oxygen Holder Assembly - Semi-Recline Van Seat	53
Packaging - Literature & Decals	5
Refresh Kits - Pronto M41	55

TABLE of CONTENTS

Description	Page Number
Seats - Van & Mounting Hardware	16
Shrouds & Attaching Hardware	20
Swingarm Assembly & Hardware - SureStep	9
Warranty Replacement Parts	57

Touch Up Paint and Shroud Colors

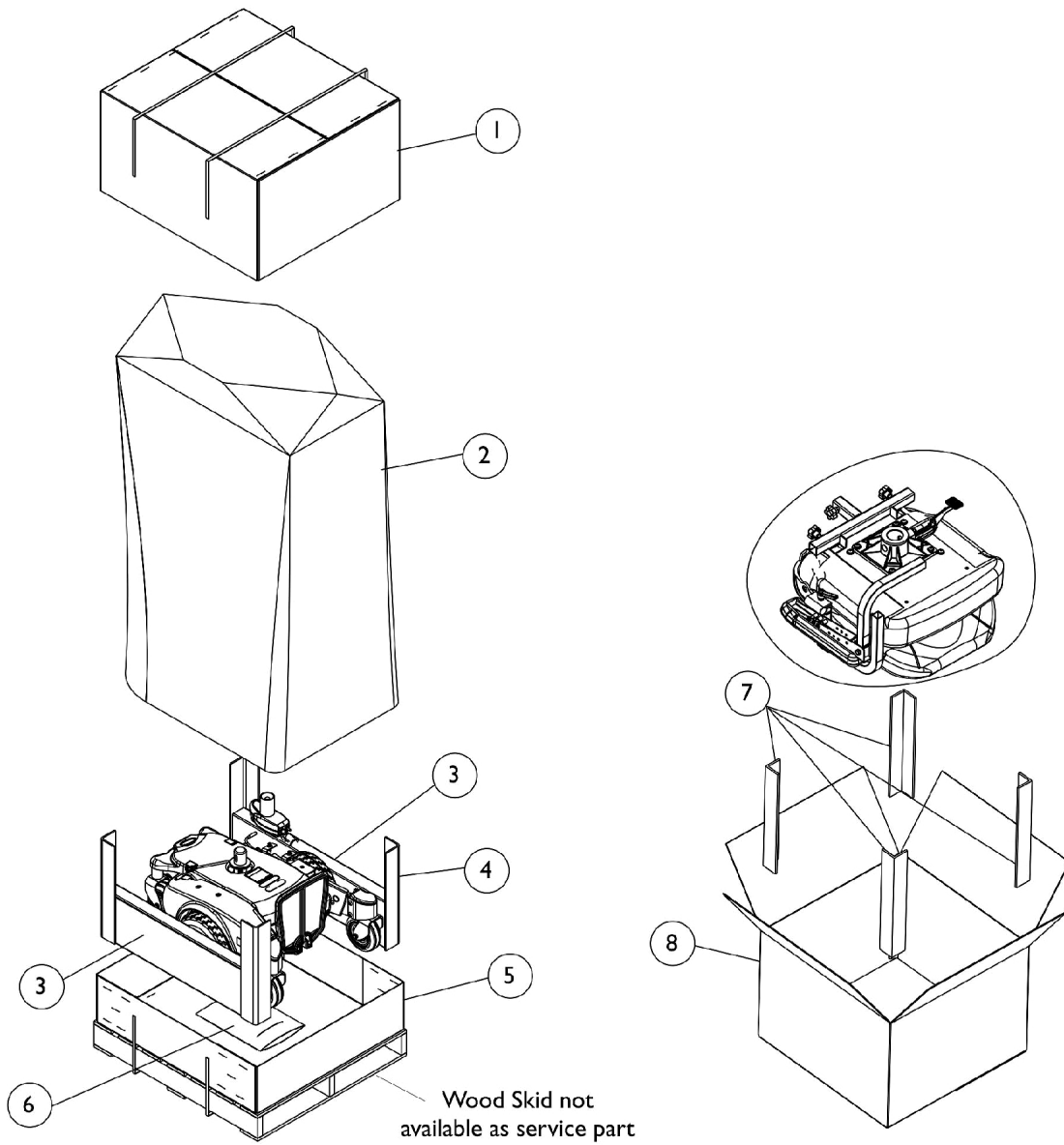
Frame Finish

Color Number	Part Number	Bottle Size	Color
34P	1046327-NLA	.6 oz	Flat Black

Shroud Colors

Color Number	Color
BL/DBLM	Deep Blue
RD/CRDM	Candy Red

Packaging, Literature and Decals



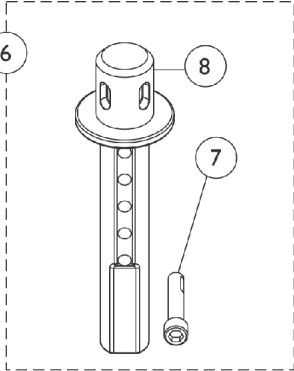
Base Only Packaging

Seat Only Packaging

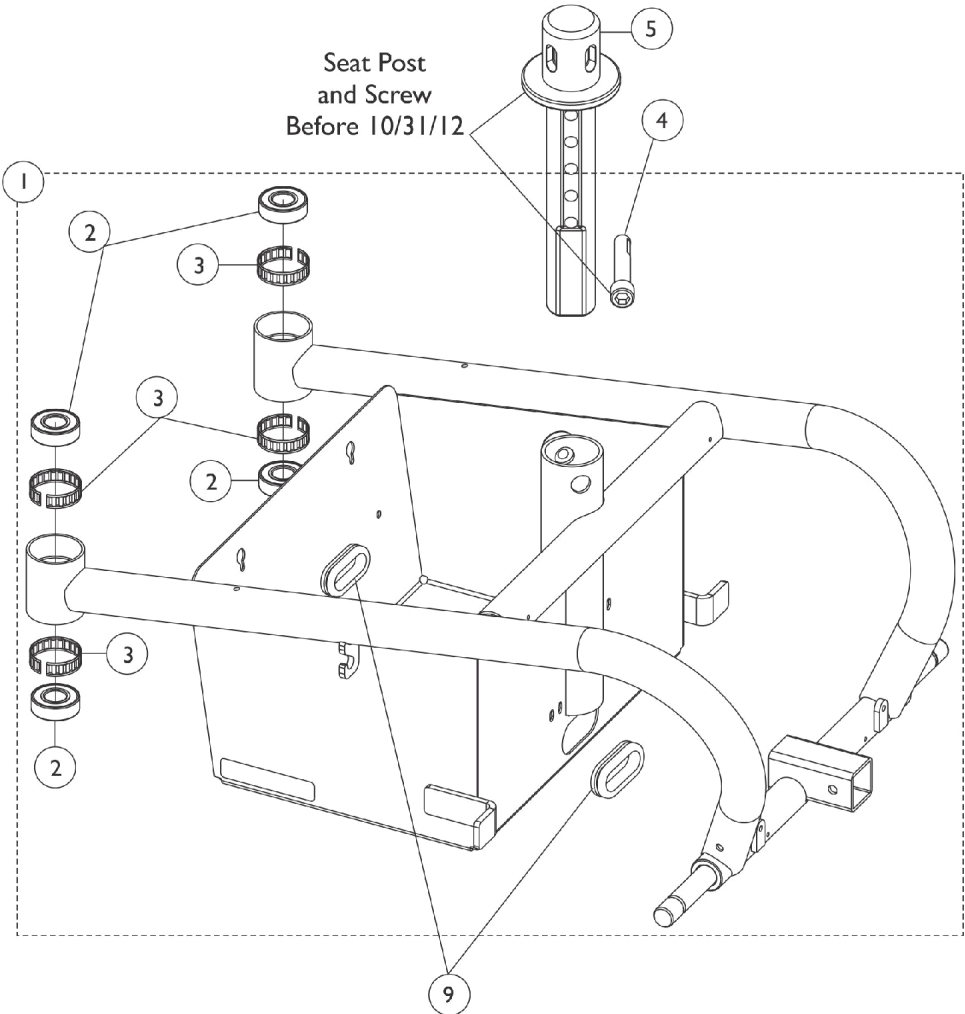
Packaging, Literature and Decals

Item Number	Note	Part Number	Description	Quantity Per	
				Package	Assembly
1		1127296-NLA	NLA - Carton, Cover Base	1	1
2		1015592	Bag, Poly (72" L x 35" W x 19" D)	1	1
3		1127294-NLA	NLA - Insert, Carton	1	2
4	C	1134728-NLA	NLA - Carton, Corner Reinforcement	1	4
4	D	1158069	Carton, Corner Reinforcement	1	4
5		1127295-NLA	NLA - Tray, Carton	1	1
6	A	1143837	NLA - Kit, Literature, A-Series Controller	1	1
			NLA - Warranty Card	1	1
			NLA - Owner's Manual, M41	1	1
			Instruction Manual, MK5 A-Series Programmer	1	1
			Tie Wrap (11-1/2" L)	1	3
6	E	1163357-NLA	NLA - Kit, Literature, Shark Controller	1	1
			NLA - Bag, Poly Zip-Lip (13" L x 9" W)	1	1
			NLA - Instruction Manual, MK5 NX/NX-LP	1	1
			NLA - Owner's Manual, M41	1	1
			Insert, Literature	1	1
			Tie Wrap (11-1/2" L)	1	3
7		1143704-NLA	NLA - Carton, Corner Reinforcement	1	4
8		1143705-NLA	NLA - Carton, Shipper	1	1
	B	1143701-NLA	NLA - Decal, Model - M41	1	2
	B	1095489	Decal, Invacare 3-D Logo (2-1/2" L)	1	1
	B	1143237-NLA	NLA - Label, Battery Warning	1	1
<p>NOTE: A - Includes Owner's Manual, MK5 Programmer Manual, and Warranty Card. Individual pieces of literature are available within the kit only. B - Not Shown C - Before 8/31/08. No Longer Available. See part number 1158069 as a replacement. D - After 9/1/08. E - Part number 1110532 is no longer available from the Invacare Service Parts Department. Refer to the Invacare Website under "Product Literature Search". Enter the part number in the "Keywords" field and download a free PDF version copy.</p>					
<p>NOTE: When adjusting or replacing parts, please refer to your owner's manual for assistance.</p>					

Base Frame Assembly and Seat Post Assembly



Seat Post and Screw After 10/30/12

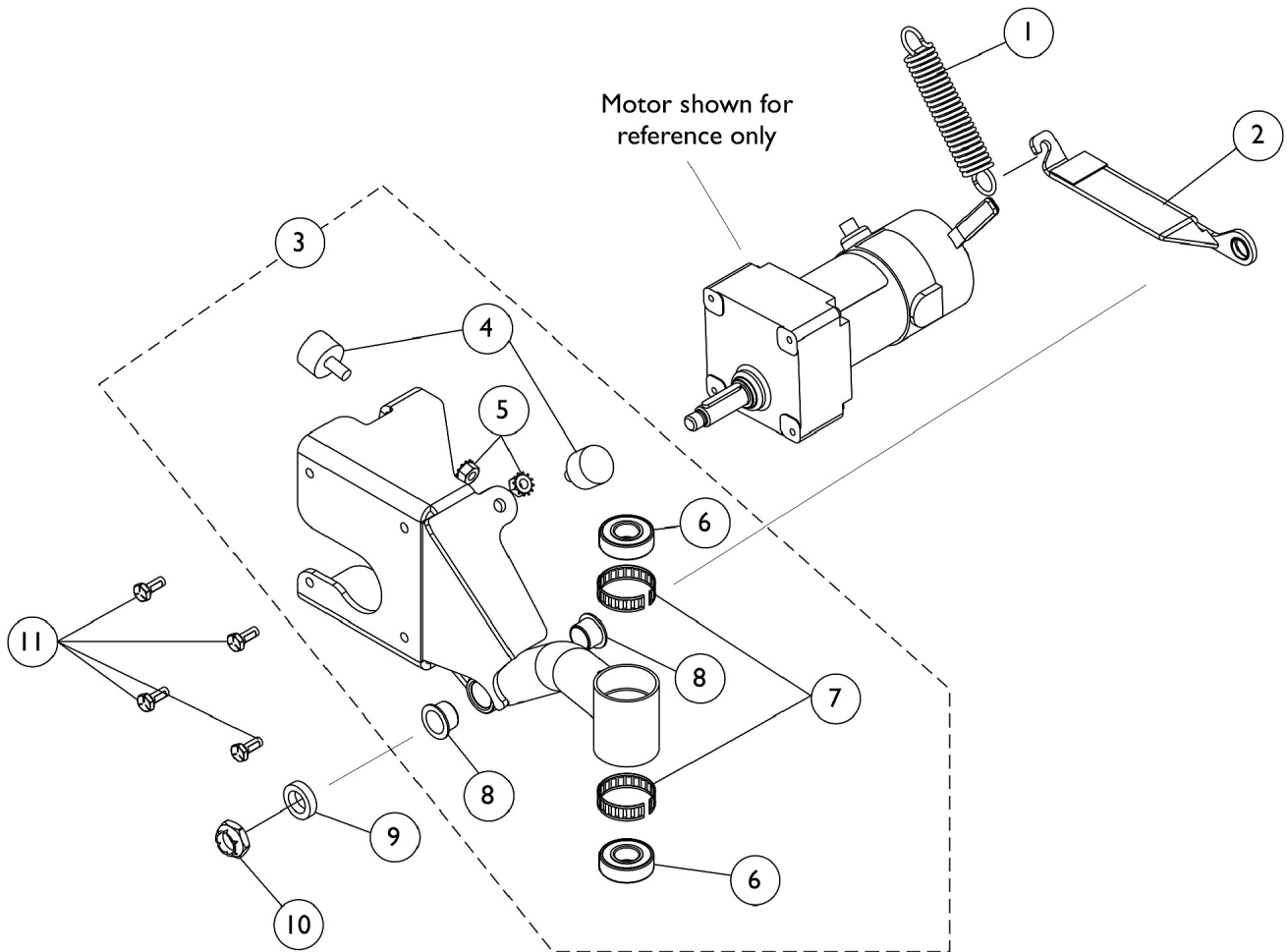


Base Frame Assembly and Seat Post Assembly

Item Number	Note	Part Number	Description	Quantity Per	
				Package	Assembly
1	A,A1,B	1143826	Frame Assembly, Base, Black	1	1
2		40117X006	Bearing (5/8")	1	4
3		1110717	Ring, Tolerance	1	4
4	C	1124252	Screw, Socket Head w/ Patch (3/8-16 x 2")	1	1
5	C	1143697-NLA	NLA - Post, Seat Pivot	1	1
6	D	1170584	Seat Pivot Post w/ Hardware	1	1
7			Screw, Socket Head w/ Patch (1/2-13 x 2-1/4")	1	1
8			Post, Seat Pivot	1	1
9		1127353	NLA - Grommet, Rubber	1	2

NOTE: A - After 10/30/12 quality improvement was made to the Base Frame Assembly. Seat Post Hardware Screw was changed from 3/8-16 x 2" to 1/2-13 x 2-1/4". When ordering a replacement Base Frame for wheelchairs manufactured before 10/31/12,
A1 - you also must order the new Pivot Post w/ Screw Hardware dated After 10/30/12 to accommodate the 1/2" diameter hole.
B - Includes the Base Frame and items 2 and 3.
C - Used Before 10/31/12 to accommodate a 3/8" diameter hole in the Base Frame Assembly.
D - Used After 10/30/12 to accommodate a 1/2" diameter hole in the Base Frame Assembly. Includes items 7 and 8. Individual components are not saleable

Swingarm Assembly and Hardware - SureStep



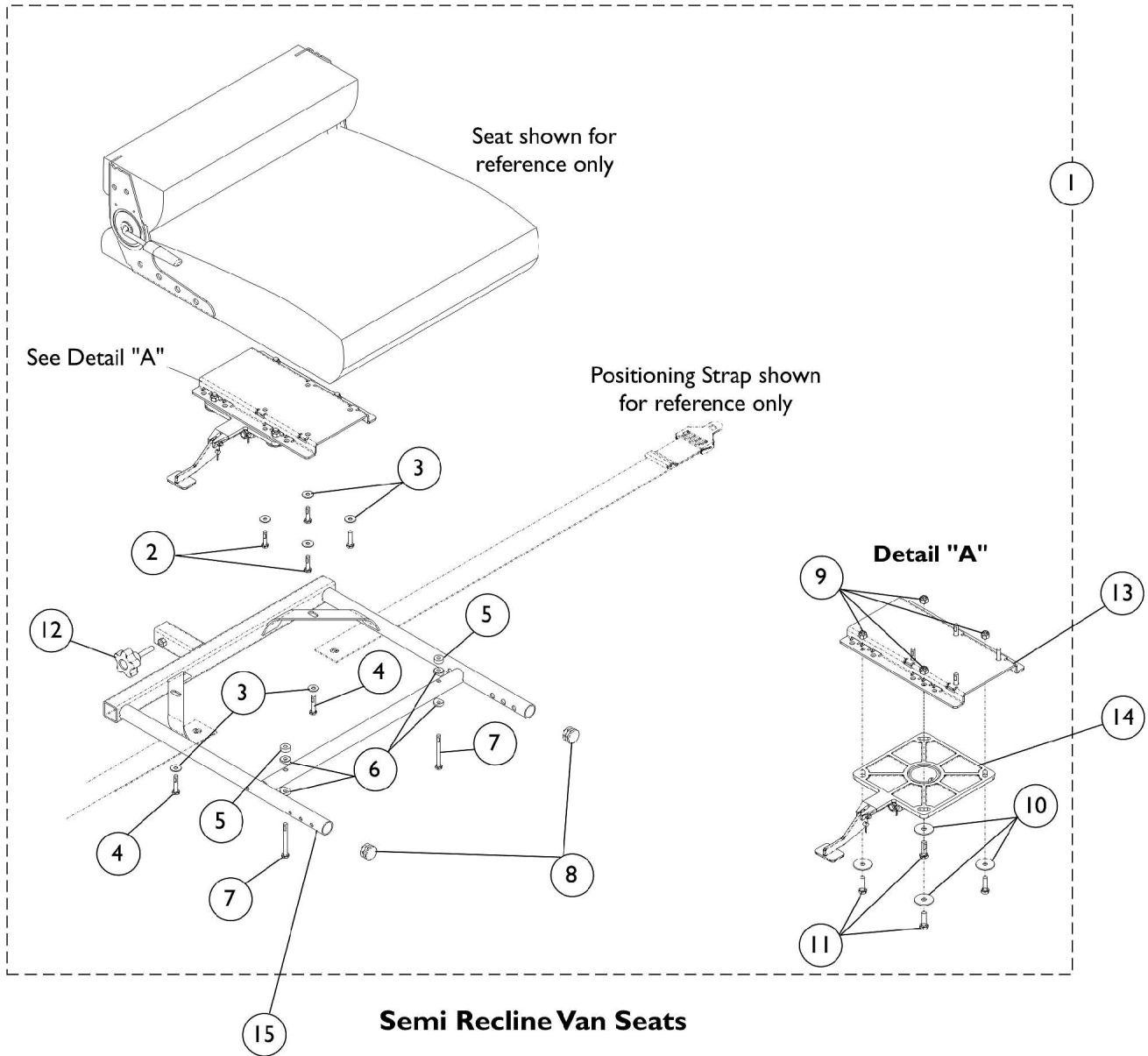
Swingarm Assembly and Hardware - SureStep

Item Number	Note	Part Number	Description	Quantity Per	
				Package	Assembly
1		1127400	Spring, Extension (1 x 4-1/2" L)	1	1
2	A	1143829	Bracket, Stop Spring with Flanged Bearing and Hook Fastener, Black - Right	1	1
2	A	1143830	Bracket, Stop Spring with Flanged Bearing and Hook Fastener, Black - Left	1	1
3	B	1143678	Swingarm Assembly - Right	1	1
3	B	1143679-NLA	NLA - Swingarm Assembly - Left	1	1
4		1108437-NLA	NLA - Bumper, Rubber (1" Diameter x 5/8")	1	2
5		000037-NLA	NLA - Nut, Keps (5/16-18)	1	2
6		40117X006	Bearing (5/8")	1	2
7		1110717	Ring, Tolerance	1	2
8		1140994	Bearing, Flange (5/8 x 23/32 x 1/2")	1	2
9		1110685-NLA	NLA - Spacer, Bushing	1	1
10		1028550	Locknut (5/8-18)	1	1
11		1121024	Screw, Hex Head w/ Patch (1/4-20 x 5/8")	1	4

NOTE: A - Stop Spring Bracket includes flanged bearing and hook fastener.
 B - Includes Swingarm plus item 4-8.

Van Seat Frame and Mounting Hardware

If converting a wheelchair from Office Style Semi-Recline Van Seat to Semi-Recline Van Seat w/ Solid Seat Base item #1, #13 and #15 must be ordered in addition to the seat.



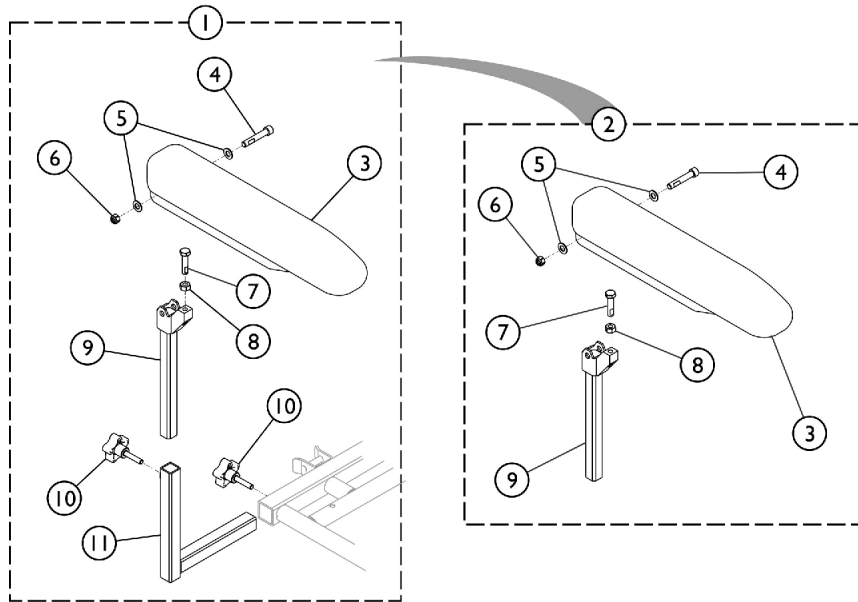
Van Seat Frame and Mounting Hardware

If converting a wheelchair from Office Style Semi-Recline Van Seat to Semi-Recline Van Seat w/ Solid Seat Base item #1, #13 and #15 must be ordered in addition to the seat.

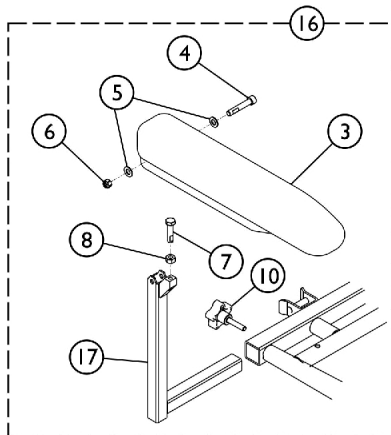
Item Number	Note	Part Number	Description	Quantity Per	
				Package	Assembly
1	A,B	1119577	Kit, Van Seat Mounting Hardware	1	1
2			NLA - Screw, Hex Head Cap w/ Patch (1/4-20 x 1")	1	4
3			Washer (1/4 x 23/32 x 1/16")	1	6
4			NLA - Screw, Hex Head w/ Patch (1/4-20 x 1-1/4")	1	2
5			Spacer (1/4 x 5/8 x 1/4")	1	2
6			Spacer, Coved (1/4 x 11/16 x 1/2")	1	4
7			NLA - Screw, Hex Head w/Patch (1/4-20 x 2-1/2")	1	2
8			Plug Button, Black (1")	1	2
9			Locknut (5/16-18)	1	4
10			Washer, Steel (5/16 x 1-1/4 x 1/16")	1	4
11			Screw, Hex Head w/ Patch (5/16-18 x 1")	1	4
12			NLA - Knob, Adjustment, Black (5/16-18 x 1-1/2")	1	1
10		1092409	Washer, Steel (5/16 x 1-1/4 x 1/16")	1	4
11		1104258	Screw, Hex Head w/ Patch (5/16-18 x 1")	1	4
13	C,D	1129722	Bracket, Seat Mounting, Black	1	1
14		1116413-NLA	NLA - Pivot, Seat	1	1
15	D	1123391	Frame, Van Seat, Black (16" W)	1	1
15	D	1116392	Frame, Van Seat, Black (18" W)	1	1
15	D	1116393	Frame, Van Seat, Black (20" W)	1	1

NOTE: A - Item 8, Plug Buttons, are only used in the absence of front riggings.
 B - Includes items 2-12
 C - Used for Semi-Recline Van Seat with Solid Seat Base only on a Pronto M41 model. Item #14 Seat Pivot attaches to item #13 Seat Mounting Bracket. For Office Style Semi-Recline Van Seat models the Seat Pivot attaches directly to the bottom of the seat
 D - Used for Semi-Recline Van Seat with Solid Seat Base only

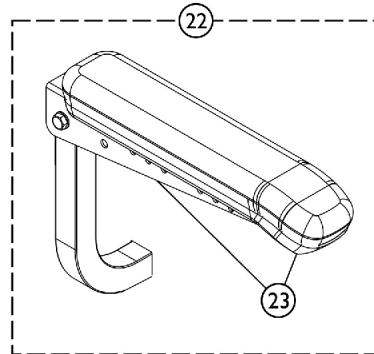
Arms



Adjustable Height Arm Assembly



Fixed Height Arm Assembly



Fold Down Seat Arms

Semi Recline Van Seat Arms

SHEP_024A

Arms

Item Number	Note	Part Number	Description	Quantity Per			
				Package	Assembly		
1	A	1142474	Arm Assembly, Adj. Height, Full Length, Black - Right	1	1		
1	A	1142475	Arm Assembly, Adj. Height, Full Length, Black - Left	1	1		
1	A	1142492	Arm Assembly, Adj. Height, Desk Length, Black - Left	1	1		
1	A	1142493	Arm Assembly, Adj. Height, Desk Length, Black - Right	1	1		
2	B	1142487	Upper Arm Assembly, Desk Length (Right/Left)	1	1		
3			Arm Pad, Desk Length, Black Urethane (12-1/4" L x 2-5/8" W)	1	1		
4			Screw, Socket Head w/ Patch (5/16-18 x 1-3/4")	1	1		
5			Washer, Flat (5/16 x 5/8 x 1/16")	1	2		
6			Locknut (5/16-18)	1	1		
7			Screw, Hex Head w/ Patch (5/16-18 x 1-1/4")	1	1		
8			NLA - Nut, Hex (5/16-18)	1	1		
9			Tube, Arm, Upper Adjustable Height, Black	1	1		
2			B	1140426	Upper Arm Assembly, Full Length (Right/Left)	1	1
3					Arm Pad, Full Length, Urethane, Black (15" L x 2-5/8" W)	1	1
4					Screw, Socket Head w/ Patch (5/16-18 x 1-3/4")	1	1
5					Washer, Flat (5/16 x 5/8 x 1/16")	1	2
6					Locknut (5/16-18)	1	1
7					Screw, Hex Head w/ Patch (5/16-18 x 1-1/4")	1	1
8					NLA - Nut, Hex (5/16-18)	1	1
9	Tube, Arm, Upper Adjustable Height, Black	1			1		
3	1139923	Arm Pad, Desk Length, Black Urethane (12-1/4" L x 2-5/8" W)			1	1	
3	1139924	Arm Pad, Full Length, Urethane, Black (15" L x 2-5/8" W)			1	1	
10	1114910	Knob, Adjustment, Black (5/16-18 x 3/4")			1	2	
11	1113646	Tube, Arm, Lower Adjustable Width, Black - Right			1	1	
11	1113647	Tube, Arm, Lower Adjustable Width, Black - Left			1	1	
16	C	1142488			Arm Assembly, Desk Length Fixed Height - Right	1	1
3					Arm Pad, Desk Length, Black Urethane (12-1/4" L x 2-5/8" W)	1	1
4			Screw, Socket Head w/ Patch (5/16-18 x 1-3/4")	1	1		
5			Washer, Flat (5/16 x 5/8 x 1/16")	1	2		
6			Locknut (5/16-18)	1	1		
7			Screw, Hex Head w/ Patch (5/16-18 x 1-1/4")	1	1		
8			NLA - Nut, Hex (5/16-18)	1	1		
10			Knob, Adjustment, Black (5/16-18 x 3/4")	1	1		
17			NLA - Tube, Arm, Fixed Height, Black - Right	1	1		
16			C	1142489	Arm Assembly, Desk Length Fixed Height - Left	1	1
3					Arm Pad, Desk Length, Black Urethane (12-1/4" L x 2-5/8" W)	1	1
4					Screw, Socket Head w/ Patch (5/16-18 x 1-3/4")	1	1

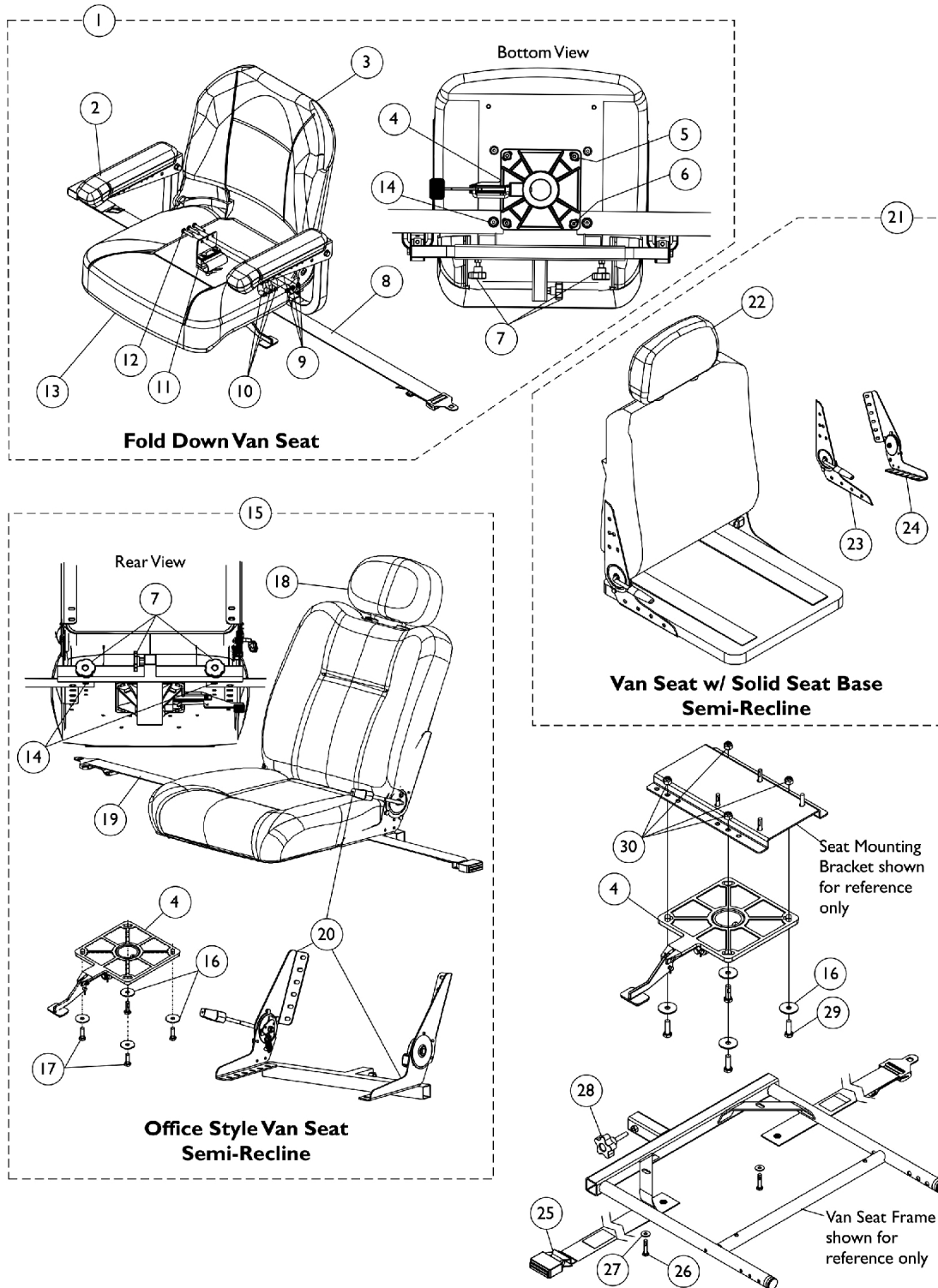
Arms

Item Number	Note	Part Number	Description	Quantity Per	
				Package	Assembly
5			Washer, Flat (5/16 x 5/8 x 1/16")	1	2
6			Locknut (5/16-18)	1	1
7			Screw, Hex Head w/ Patch (5/16-18 x 1-1/4")	1	1
8			NLA - Nut, Hex (5/16-18)	1	1
10			Knob, Adjustment, Black (5/16-18 x 3/4")	1	1
17			NLA - Tube, Arm, Fixed Height, Black - Left	1	1
16	C	1142483	Arm Assembly, Full Length Fixed Height - Right	1	1
3			Arm Pad, Full Length, Urethane, Black (15" L x 2-5/8" W)	1	1
4			Screw, Socket Head w/ Patch (5/16-18 x 1-3/4")	1	1
5			Washer, Flat (5/16 x 5/8 x 1/16")	1	2
6			Locknut (5/16-18)	1	1
7			Screw, Hex Head w/ Patch (5/16-18 x 1-1/4")	1	1
8			NLA - Nut, Hex (5/16-18)	1	1
10			Knob, Adjustment, Black (5/16-18 x 3/4")	1	1
17			NLA - Tube, Arm, Fixed Height, Black - Right	1	1
16	C	1142486	Arm Assembly, Full Length Fixed Height - Left	1	1
3			Arm Pad, Full Length, Urethane, Black (15" L x 2-5/8" W)	1	1
4			Screw, Socket Head w/ Patch (5/16-18 x 1-3/4")	1	1
5			Washer, Flat (5/16 x 5/8 x 1/16")	1	2
6			Locknut (5/16-18)	1	1
7			Screw, Hex Head w/ Patch (5/16-18 x 1-1/4")	1	1
8			NLA - Nut, Hex (5/16-18)	1	1
10			Knob, Adjustment, Black (5/16-18 x 3/4")	1	1
17			NLA - Tube, Arm, Fixed Height, Black - Left	1	1
22	D	1141938-NLA	NLA - Arm Assembly, Black - Right	1	1
22	D	1141939-NLA	NLA - Arm Assembly, Black - Left	1	1
23	E	1141937	Pad, Arm, Full Length, Urethane, Black	1	2

NOTE: A - Includes items 2 - 11.
 B - Includes items 3 - 9.
 C - Includes items 3 - 8, 10, and item 17.
 D - Includes item 3 and Arm Tube and attaching hardware.
 E - Arm Pad does not include Attaching Hardware. Item 22 must be ordered if hardware is needed.

Van Seat Assemblies & Mounting Hardware

If converting a wheelchair from Office Style Semi-Recline Van Seat to Semi-Recline Van Seat w/ Solid Seat Base, see page titled "Frames - Seat Van & Mounting Hardware" for additional service parts required.



Van Seat Assemblies & Mounting Hardware

If converting a wheelchair from Office Style Semi-Recline Van Seat to Semi-Recline Van Seat w/ Solid Seat Base, see page titled "Frames - Seat Van & Mounting Hardware" for additional service parts required.

Item Number	Note	Part Number	Description	Quantity Per	
				Package	Assembly
1		See Chart	#1 Fold Down Van Seat Assembly	1	1
2	A	1141938-NLA	NLA - Arm Assembly, Black - Right	1	1
2	A	1141939-NLA	NLA - Arm Assembly, Black - Left	1	1
3		1145425-NLA	NLA - Cover, Back	1	1
4	M	1116413-NLA	NLA - Pivot, Seat	1	1
5		1125419	Washer, Steel (11/32 x 11/16 x 1/16")	1	4
6		1088117	Screw, Socket Button Head (5/16-18 x 1-1/4")	1	4
7		1127312-NLA	NLA - Package, Adjustment Knob (5/16-18 x 3/4")	3	1
8		1141933-NLA	NLA - Strap, Positioning, Seat/Chest w/ Auto Style Push Button Buckle (eyelet to eyelet length 61")	1	1
9	B	1025195	Locknut (1/4-20)	1	3
10	B	1101524-NLA	NLA - Spacer (1/4 x 7/16 x 5/8")	1	3
11	B	1105049	Clamp Assembly, Fixed Height, Captain/ Van Seat	1	1
12	B	1057955	Screw, Hex Head (1/4-20 x 1-1/4")	1	3
13		1145426-NLA	NLA - Cover, Seat	1	1
14	E	1127311-NLA	NLA - Package, Screw Socket Head Cap w/ Patch (1/4-20 x 3/4")	4	1
15	C,D	See Chart	#15 Office Style Van Seat Assembly (Semi-Recline)	1	1
16		1092409	Washer, Steel (5/16 x 1-1/4 x 1/16")	1	4
17		1057955	Screw, Hex Head (1/4-20 x 1-1/4")	1	4
18		1127314	Extension, Backrest, Semi Recline Office Style Van Seat	1	1
19	F	1034625	Strap, Positioning, Seat/Chest w/ Auto Style Push Button Buckle (Eyelet to Eyelet Length 61")	1	1
20	G	1144924	Bracket, Seat Frame, Black (18" W)	1	1
20	G	1148876	Bracket, Seat Frame, Black (20" W)	1	1
21		See Chart	#21 Van Seat w/ Solid Seat Base Assembly (Semi-Recline)	1	1
22		1108408	Extension, Backrest, Captain Seat, Grey Vinyl	1	1
23	K	1116634	Bracket, Hinge w/ Lever, Semi-Recline - Right	1	1
24	K	1116635	Bracket, Hinge w/o Lever, Semi-Recline - Left	1	1
25	H	1004310	Strap, Positioning, Seat/Chest w/ Auto Style Push Button Buckle (Eyelet to Eyelet Length 48")	1	1
25	I	1034625	Strap, Positioning, Seat/Chest w/ Auto Style Push Button Buckle (Eyelet to Eyelet Length 61")	1	1
25	J,N	1034622-NLA	NLA - Strap, Positioning, Seat/Chest w/ Auto Style Push Button Buckle (Eyelet to Eyelet Length 69")	1	1
26		1088897-NLA	NLA - Screw, Hex Head w/ Patch (1/4-20 x 1-1/4")	1	4
27		1026900	Washer (1/4 x 23/32 x 1/16")	1	4
28		1114911-NLA	NLA - Knob, Adjustment, Black (5/16-18 x 1-1/2")	1	1
29		1104258	Screw, Hex Head w/ Patch (5/16-18 x 1")	1	4
30		1026158	Locknut (5/16-18)	1	4
	L	5000136	Screw, Phillips Truss Head (1/4-20 x 3/4")	1	14

Van Seat Assemblies & Mounting Hardware

If converting a wheelchair from Office Style Semi-Recline Van Seat to Semi-Recline Van Seat w/ Solid Seat Base, see page titled "Frames - Seat Van & Mounting Hardware" for additional service parts required.

NOTE: A - Arms listed are used for the Fold Down Van Seat only.
 B - Please see Electronics - SPJ+ Joystick category for Joystick Tube Mounting Hardware Kit.
 C - When replacing the Semi-Recline Van Seat, the Front Rigging Hanger Attachment Kit may need to be ordered as well since it is not included. See Front Rigging Hanger category.
 D - Arms are not included with the Semi-Recline Van Seat. See Arm category for service parts.
 E - Package includes 4 screws that are used to attach the Seat Positioning Strap to item #8 or #19.
 F - Used for 18" or 20" wide Office Style Semi-Recline Van Seat Assembly.
 G - Hinge Brackets used for Office Style Semi-Recline Seat models only. For attaching Hinge Bracket, see part number 5000136.
 H - Used for item #21 16" wide Semi-Recline Van Seat only.
 I - Used for item #21 18" wide Semi-Recline Van Seat only.
 J - Used for item #21 20" wide Semi-Recline Van Seat only.
 K - Hinge Brackets used for Solid Seat Base Semi-Recline models only. For attaching Hinge Bracket, see part number 5000136.
 L - Not shown, Screw for Hinge Bracket(s) 1116634 and 1116635. Total of (7) required for each Bracket.
 M - Seat Pivot assembles directly to the bottom of the Fold Down Van Seat or the Office Style Semi-Recline Van Seat. On the Semi-Recline Van Seat w/ Solid Seat Base the Seat Pivot assembles to the Seat Mounting Bracket.
 N - For replacement contact The Aftermarket Group (TAG).

#1 Fold Down Van Seat Assembly

(Backrest Not Offered)

All Grey Fabric Upholstery	All Grey Vinyl Upholstery (18" Wide)	All Tan Vinyl Upholstery
N/A	1141942-NLA See Note(s) A	N/A

NOTE: A - Includes items 2-14.
 Fold down van seat has four stop angle adjustment settings that include 95, 100, 105, & 110 degrees and adjustable seat depths of 16", 17", & 18".

#15 Office Style Semi-Recline Van Seat Assembly (Semi-Recline)

Dark Grey/Charcoal Vinyl Upholstery 16" Wide	Dark Grey/Charcoal Vinyl Upholstery 18" Wide	Dark Grey/Charcoal Vinyl Upholstery 20" Wide
Not Available See Note(s) A	1127716-NLA See Note(s) B	1148882-NLA See Note(s) B

NOTE: A - Not Available as a service part. Must order a new 16" wide Pronto M41 Power Wheelchair stock SKU.
 B - Includes the Van Seat and items 4, 7, 14 and 16-20.
 Semi-Recline Van Seat reclines approx. 90-114 degrees. Adjustable depths are 16", 17", & 18" deep. Recline release levers are standard on the right side.

#21 Van Seat w/ Solid Seat Base Assembly (Semi-Recline)

Upholstery Type	Van Seat with Backrest 16" Wide	Van Seat with Backrest 18" Wide	Van Seat with Backrest 20" Wide
All Grey Vinyl	1150819 See Note(s) B, A	1150820 See Note(s) A, B	1159886 See Note(s) A, B

Van Seat Assemblies & Mounting Hardware

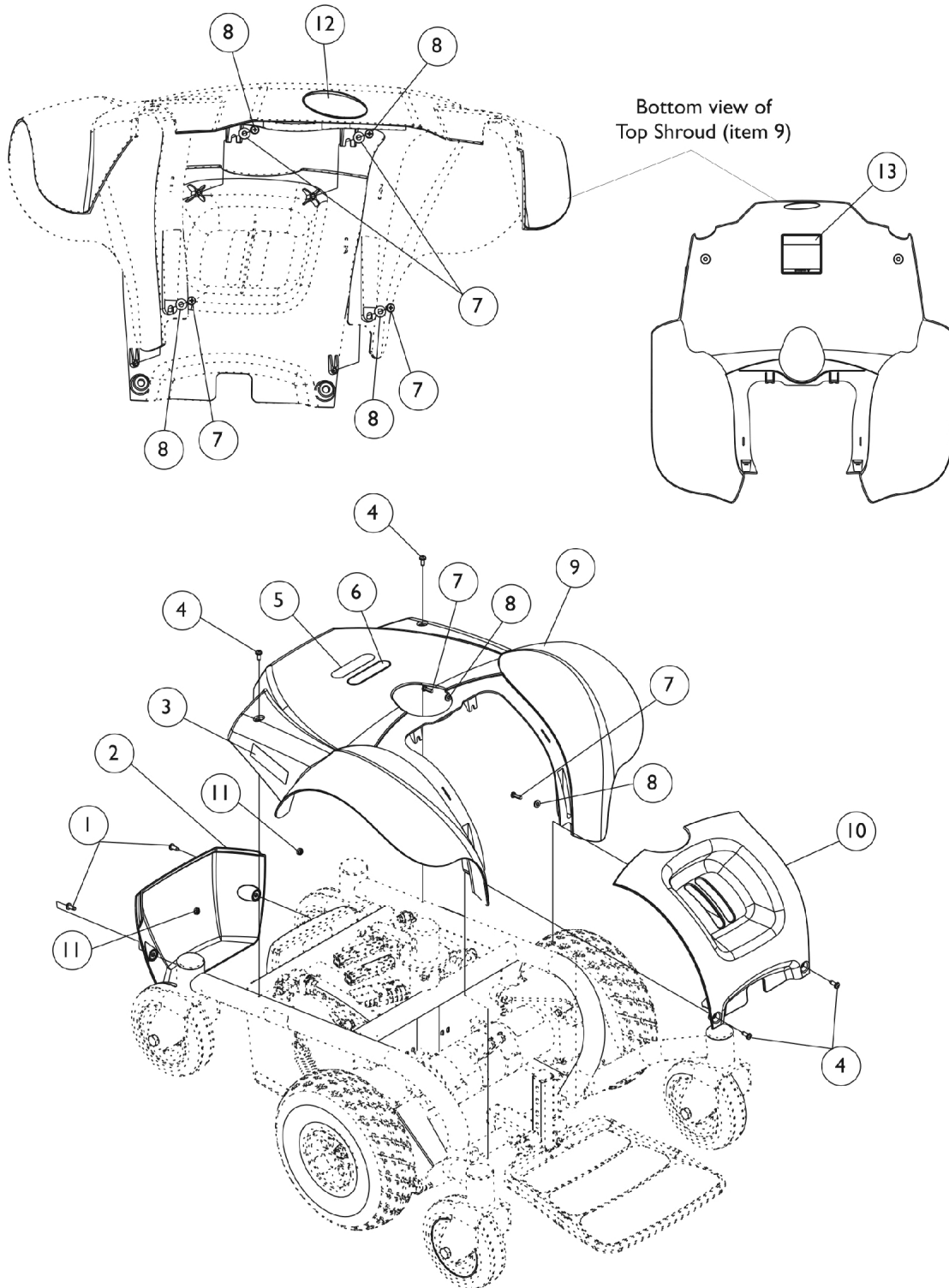
If converting a wheelchair from Office Style Semi-Recline Van Seat to Semi-Recline Van Seat w/ Solid Seat Base, see page titled "Frames - Seat Van & Mounting Hardware" for additional service parts required.

NOTE: A - Includes the Van Seat and items 22-24.

B - If converting a wheelchair from Office Style Semi-Recline Van Seat to Semi-Recline Van Seat w/ Solid Seat Base, see page titled "Frames - Seat Van & Mounting Hardware" for additional service parts required.

Semi-Recline Van Seat reclines approx. 90-114 degrees. Adjustable depths are (16", 17", & 18" deep for 16" & 18" wide seats) and (18", 19", & 20" deep for 20" wide seats). Recline release levers are standard on the right side. Left side release levers can be ordered as a special with a new van seat.

Shrouds and Attaching Hardware

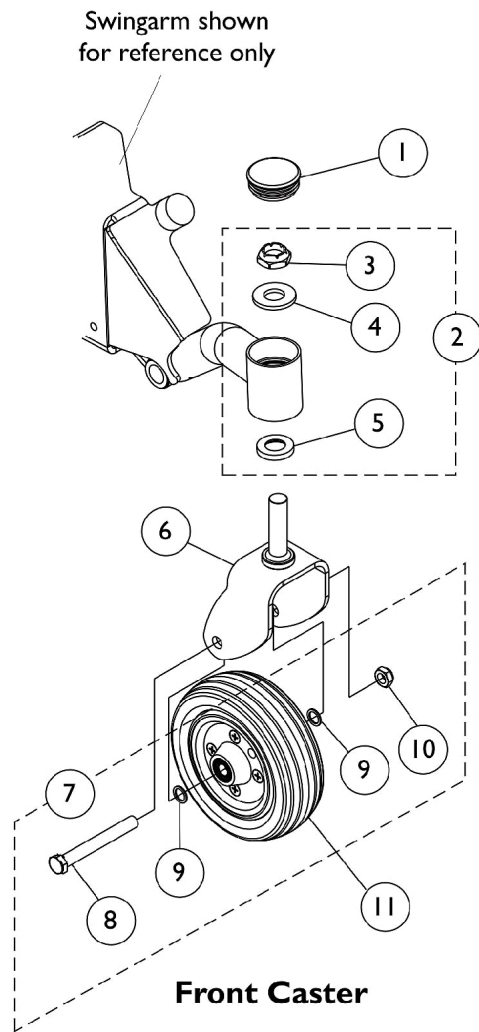
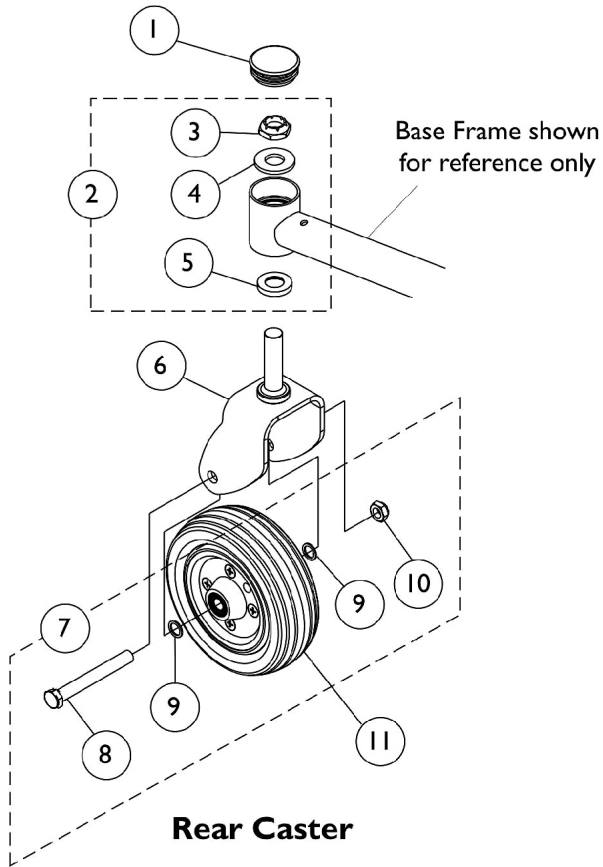


Shrouds and Attaching Hardware

Item Number	Note	Part Number	Description	Quantity Per	
				Package	Assembly
1		1026114	Screw, Phillips Pan Head (#10-32 x 1/2")	1	2
2		1145420	Shroud, Controller, Black	1	1
3		1143701-NLA	NLA - Decal, Model - M41	1	1
4		1028484	Screw, Phillips Pan Head Tap (#10-32 x 1/2")	1	4
5		1035900	Decal, Transportation	1	1
6		1119281-NLA	NLA - Plate, Name, Patent Numbers	1	1
7		1114276	Screw, Phillips Pan Head (#8-16 x 5/8")	1	6
8		1028516	Washer, Steel (3/16 x 7/16 x 1/16")	1	6
9	A	1145423	Top Shroud Assembly, Red	1	1
9	A	1145424	Top Shroud Assembly, Blue	1	1
10		1145419	Shroud, Black - Front	1	1
11		1025735	Locknut (#10-32)	1	2
12		1095489	Decal, Invacare 3-D Logo (2-1/2" L)	1	1

NOTE: A - Shroud includes decals, items 3, 5-6 & 12.

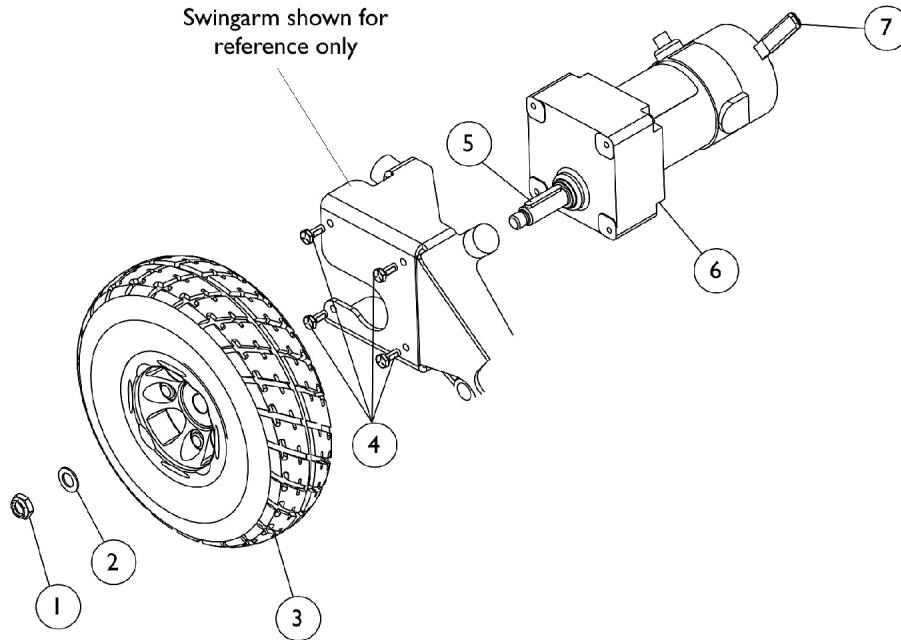
Casters and Forks



Casters and Forks

Item Number	Note	Part Number	Description	Quantity Per	
				Package	Assembly
1		1110709	Cap, Head Tube, Black	1	1
2	A	1106226	Kit, Fork Mounting Hardware	1	1
3		1028550	Locknut (5/8-18)	1	1
4		1041444	Washer, Nylon (5/8 x 1-5/16 x 1/8")	1	1
5		1106068	Spacer, Stem (5/8 x 1-1/8 x 3/16")	1	1
6		1140984-NLA	NLA - Fork and Stem Assembly	1	1
7	B	1110708	Kit, Caster Mounting Hardware	1	1
8		1025726	Screw, Hex Head (7/16-20 x 3-1/4")	1	1
9		1025724	Washer, Steel (15/32 x 5/8 x 3/64")	1	2
10		1025734	Locknut (7/16-20)	1	1
11		1115179	Wheel Assembly, Semi-Pneumatic, Urethane, Deep Profile, Grey Tire/Black Hub (6" x 2")	1	1
NOTE: A - Includes Items 3-5. B - Includes Items 8-10.					

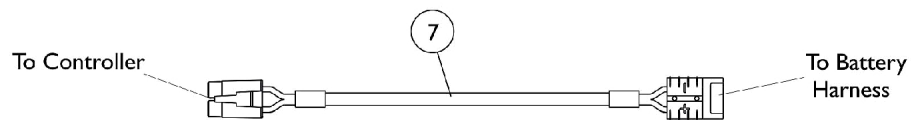
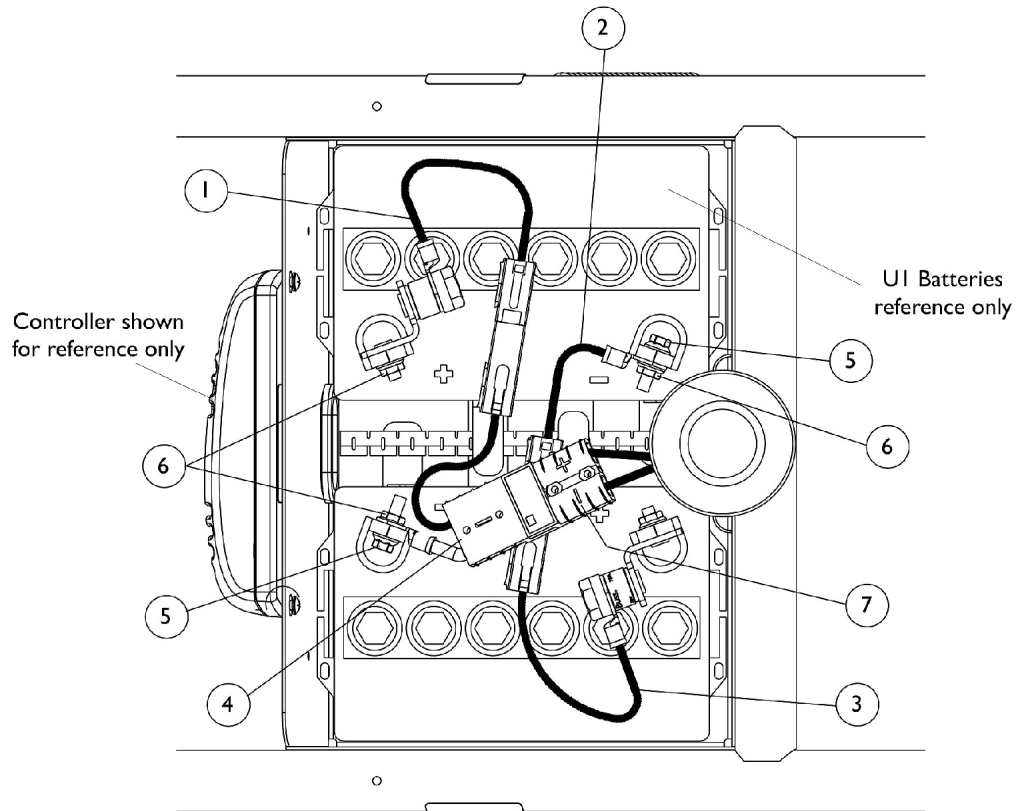
Motor, Drive Wheel, and Hardware



Motor, Drive Wheel, and Hardware

Item Number	Note	Part Number	Description	Quantity Per	
				Package	Assembly
1		1025737	Locknut (1/2-20)	1	1
2		1026174	Washer (1/2 x 7/8 x 3/64")	1	1
3		1105043	Drive Wheel Assembly, Flat Free Foam, Grey Tire/Black Rim (10" x 3")	1	1
		1102342	Tire w/ Foam Fill Insert, Grey (10" x 3")	1	1
4		1121024	Screw, Hex Head w/ Patch (1/4-20 x 5/8")	1	4
5		1023264	Key (6mm x 6mm x 40mm)	1	1
6	A,B1,B 2,B3	1134124-NLA	NLA - Motor/Gearbox Assembly - Right	1	1
6	A,B1,B 2,B3	1134124E-NLA	NLA - WARR RPLMT - Motor/Gearbox Assembly - Right	1	1
6	A,B1,B 2,B3	1134125	Motor/Gearbox Assembly - Left	1	1
6	A,B1,B 2,B3	1134125E-NLA	NLA - WARR RPLMT - Motor/Gearbox Assembly - Left	1	1
7		1143707	Package, Brake Lever Tip, Black	10	1
<p>NOTE: A - Brushes are not serviceable. B1 - Chairs manufactured with motors before serial number 08DSZ190001 and after serial numbers beginning with 09E generate reverse error codes. B2 - During these periods, an error code on the right side motor would be an indication that the left side motor must be replaced. B3 - An error code on the left side motor would be an indication that the right side motor must be replaced.</p>					

Battery Harnesses

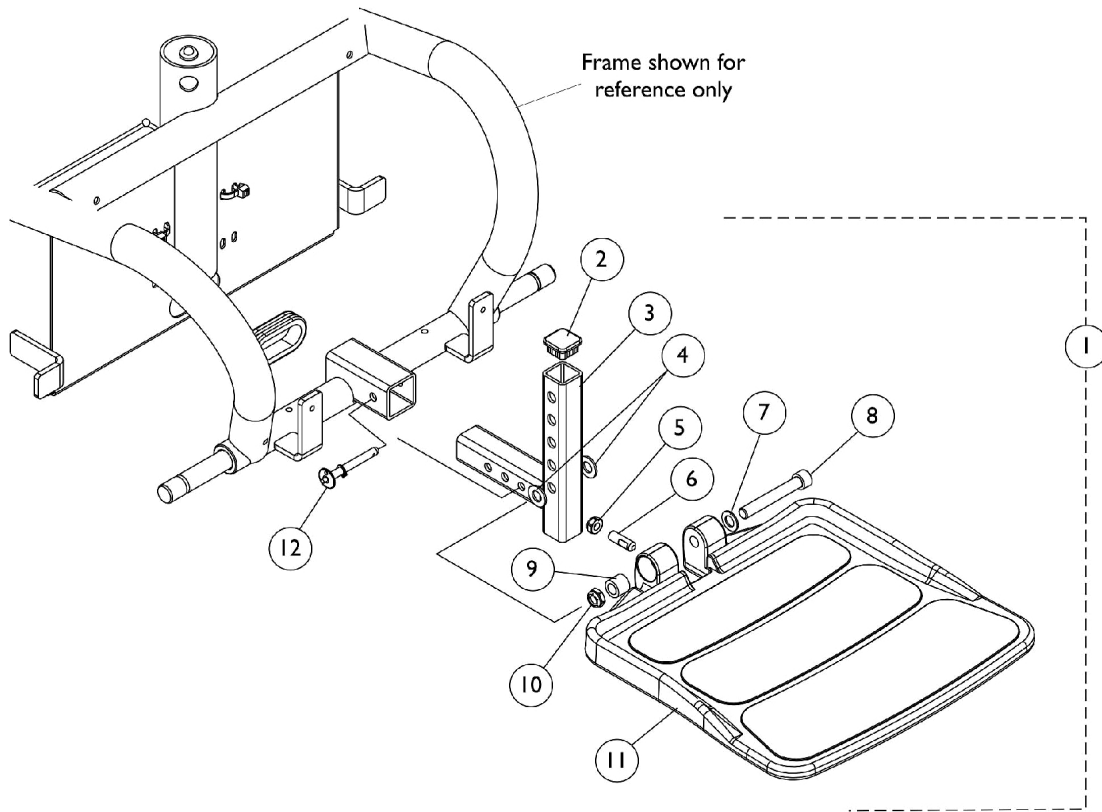


Battery Cable Extension Harness

Battery Harnesses

Item Number	Note	Part Number	Description	Quantity Per	
				Package	Assembly
1		1122247	Harness, Battery w/ 75 AMP Fuse and Red Connector	1	1
2		1122244-NLA	NLA - Harness, Battery - Rear	1	1
3		1122245	Harness, Battery w/ 75 AMP Fuse and Black Connector	1	1
4		1122246-NLA	NLA - Harness, Battery - Front	1	1
5		1096799-NLA	NLA - Screw, Hex Flange Whiz Lock (1/4-20 x 7/8")	1	2
6		16721X000	Locknut (1/4-20)	1	4
7		1116381	Cable, Battery Extension, Black Connector	1	1

Footboard Assembly - 90FB



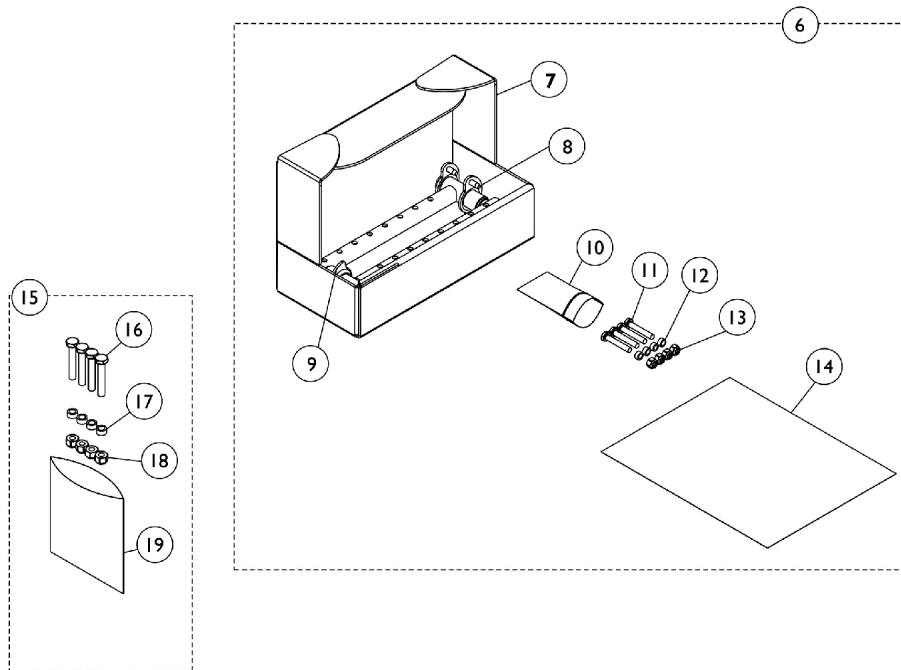
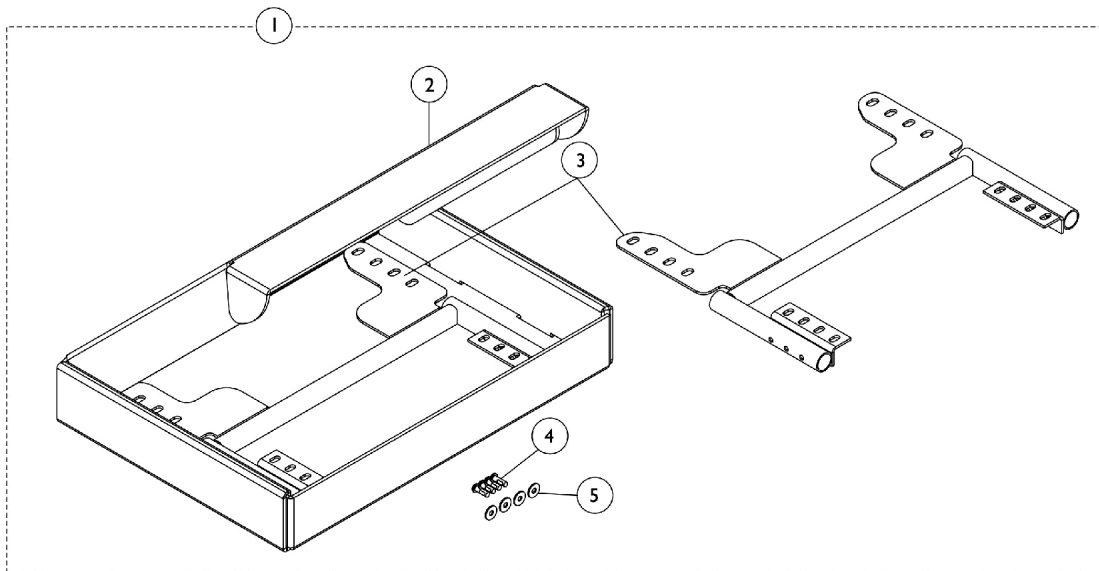
Footboard Assembly - 90FB

Item Number	Note	Part Number	Description	Quantity Per	
				Package	Assembly
1	A	1114312	Footboard Assembly	1	1
2		1105038	Plug Button, Black (1" Square)	1	1
3		1106369	Bracket, Footboard Support, Black	1	1
4		1049527	Washer, Nylon (3/8 x 3/4 x 1/16")	1	2
5		1028769	Locknut (5/16-18)	1	1
6		1108457	Screw, Set Socket Flat Point (5/16-18 x 1")	1	1
7		1065214	Washer, Flat (3/8 x 11/16 x 1/16")	1	1
8		1106223	Screw, Socket Head (3/8-16 x 2-1/2")	1	1
9		1105039	Bushing (3/8 x 5/8 x 1/2")	1	1
10		1028486	Locknut, Low Profile (3/8-16)	1	1
11		1114311	Footboard w/ Cover (11-1/4" W x 11-1/2" L)	1	1
12		1109011	Pin, Quick Release	1	1

NOTE: A - Includes items 2-12

Front Riggings Hangers Hemi

Front Rigging Hangers for Fold Down Seat are not available.



Front Riggings Hangers Hemi

Front Rigging Hangers for Fold Down Seat are not available.

Item Number	Note	Part Number	Description	Quantity Per			
				Package	Assembly		
1	A,B,C	1149192	Kit, Front Rigging Seat Support, 18"	1	1		
2			NLA - Carton, Inner	1	1		
3			Bracket, Rigging Hanger Support, Front, Black	1	2		
4			Screw, Socket Button Head w/ Patch (1/4-20 x 3/4")	1	4		
5			Washer (1/4 x 23/32 x 1/16")	1	4		
1	A	1148879	Kit, Front Rigging Seat Support, 20"	1	1		
3			Bracket, Front Rigging Hanger, Black (20")	1	2		
4			Screw, Socket Button Head w/ Patch (1/4-20 x 3/4")	1	4		
5			Washer (1/4 x 23/32 x 1/16")	1	4		
6			D,F	1133009	Kit, Front Rigging Hanger Attachment	1	1
7	NLA - Carton, Inner	1			1		
8	Front Rigging Hanger Assembly w/ Plug Button, Hemi, Black - Left	1			1		
9	Front Rigging Hanger Assembly w/ Plug Button, Hemi, Black - Right	1			1		
10	Bag, Poly Zip-Lip	1			1		
11	Screw, Hex Head (1/4-20 x 1-1/2")	1			4		
12	NLA - Spacer (1/4 x 3/8 x 3/16")	1			4		
13	Locknut (1/4-20)	1			4		
14	NLA - Instruction Sheet, Front Rigging Hanger	1			1		
15	E	1113045			Kit, Front Rigging Hanger Hardware	1	1
16					Screw, Hex Head (1/4-20 x 1-1/2")	1	4
17					NLA - Spacer (1/4 x 3/8 x 3/16")	1	4
18					Locknut (1/4-20)	1	4
19			NLA - Bag, Zip-Lip (4" L x 4" W)	1	1		
<p>NOTE: A - For Office Style Van Seat. B - Items 11-13 can be ordered separately. Order item 15, part no. 1113045. C - Includes items 2-5. D - Includes items 7-14. E - Includes items 16-19. F - Part number 1110523 is no longer available from the Invacare Service Parts Department. Refer to the Invacare Website under "Product Literature Search". Enter the part number in the "Keywords" field and download a free PDF version copy.</p>							

Front Rigging Reference Chart

Support Assemblies

Legrest Calf Pad is not included with support assemblies. Please see specific front rigging category for part numbers.

Front Rigging	Color Right	Color Left	Chrome Right	Chrome Left
PHW93	1114755	1114756	N/A	N/A
PH904A	8881114757 See Note(s) A	8881114758 See Note(s) A	N/A	N/A
PHAL4A	N/A	N/A	1114761	1114762

NOTE: A - Specify 34P Flat Black Frame Finish When Ordering.

PHW93

Pivot Slide Tubes with Footplates

Chair Width	Aluminum (1650)	Deluxe Aluminum (1450)	Extra Large Aluminum (1350)	Adjustable Angle (AT5543)	Composite (1651)
16" Wide Right	1074149	1074151-NLA	1026395	1062756	1057869
16" Wide Left	1074150	1074152-NLA	1026396	1062757	1057870
17-20" Wide Right	1074149	1074151-NLA	1026395	1062756	1057879
17-20" Wide Left	1074150	1074152-NLA	1026396	1062757	1057880

NOTE: Pivot/ Slide Tube Mounting Hardware is not included.

PHAL4A

Pivot Slide Tubes with Footplates

Chair Width	Aluminum (1650)	Deluxe Aluminum (1450)	Extra Large Aluminum (1350)
16-20" Wide Right	1023907	1023924-NLA	1035456
16-20" Wide Left	1023908	1023925-NLA	1035457

NOTE: Pivot/ Slide Tube Mounting Hardware is not included.

Front Rigging Reference Chart

PH904A

Pivot Slide Tubes with Footplates

Chair Width	Aluminum (1650)	Deluxe Aluminum (1450)	Extra Large Aluminum (1350)
16-20" Wide Right	1058604	1028723-NLA	1058830
16-20" Wide Left	1058605	1028724-NLA	1058831

NOTE: Pivot/ Slide Tube Mounting Hardware is not included.

PHW93 (2" and 4" Longer) Aluminum, Extra Large, and Adj. Angle

Pivot Slide Tubes with Footplates

Footplate Type	16-20" Wide Right	16-20" Wide Left
Aluminum (1650) 2" Longer	1086494-NLA	1086497-NLA
Aluminum (1650) 4" Longer	1086495-NLA	1086498-NLA
Extra Large Aluminum (1350) 2" Longer	1086515	1086517
Extra Large Aluminum (1350) 4" Longer	1086516	1086518
Adjustable Angle (AT5543) 2" Longer	1062760	1062761

NOTE: Pivot/ Slide Tube Mounting Hardware is not included.

PHW93 (2" and 4" Longer) - Composite (1651)

Pivot Slide Tubes with Footplates

Footplate Type	16" Wide Right	16" Wide Left	17-20" Wide Right	17-20" Wide Left
Composite (1651) 2" Longer	1057871	1057872	1057881	1057882
Composite (1651) 4" Longer	1058421	1058422	1058423	1058424

NOTE: Pivot/ Slide Tube Mounting Hardware is not included.

Front Rigging Reference Chart

PH904A (2" and 4" Longer)

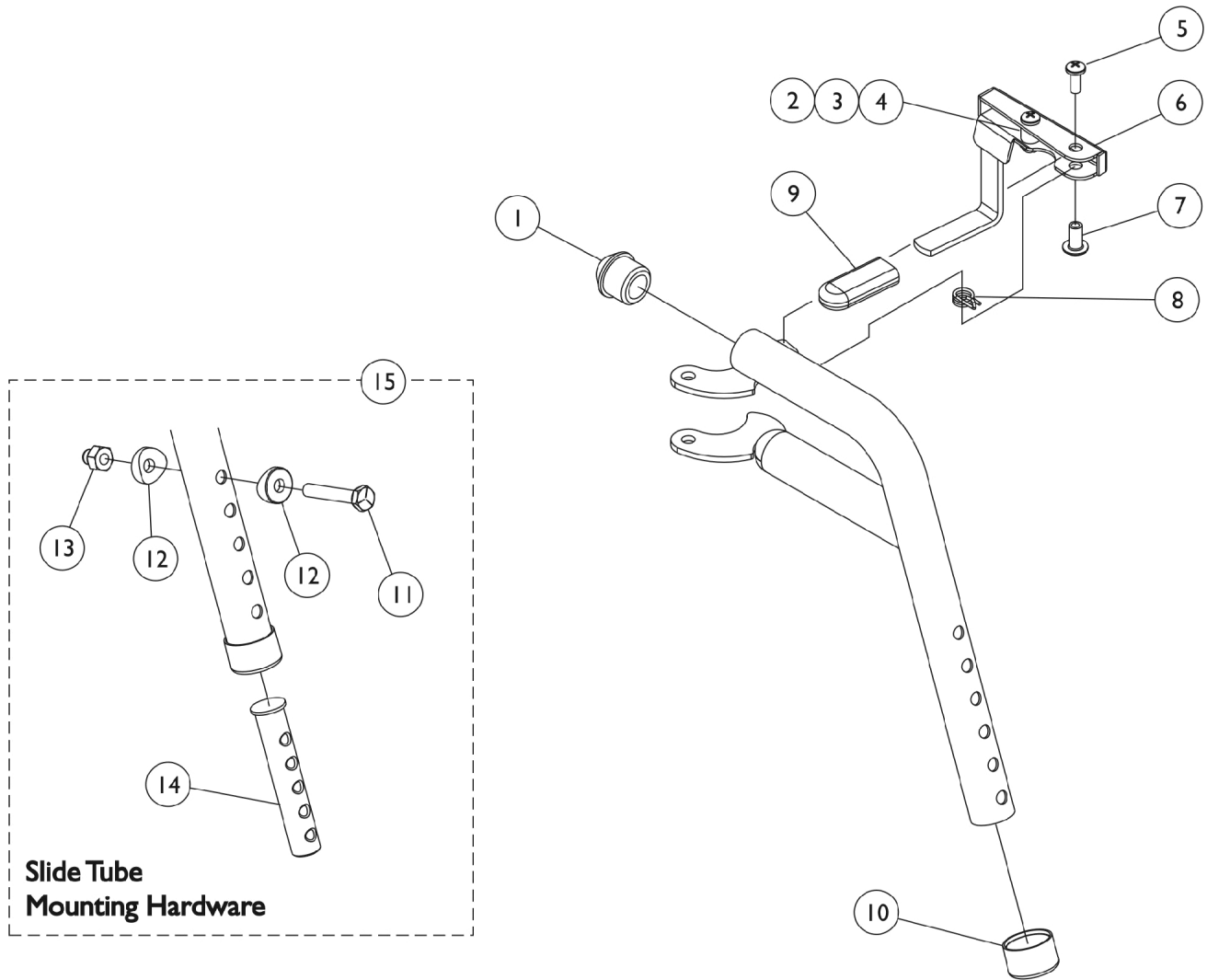
Pivot Slide Tubes with Footplates

Footplate Type	16-20" Wide Right	16-20" Wide Left
Aluminum (1650) 2" Longer	1086529-NLA	1086531-NLA
Aluminum (1650) 4" Longer	1086530-NLA	1086532-NLA
Extra Large Aluminum (1350) 2" Longer	1086541-NLA	1086551-NLA
Extra Large Aluminum (1350) 4" Longer	1086542-NLA	1086552-NLA

NOTE: Pivot/ Slide Tube Mounting Hardware is not included.

Footrest Support - PHW93 (Hemi) Black

For complete Footrest Support Assembly part nos., see Front Riggings Reference chart.



Footrest Support - PHW93 (Hemi) Black

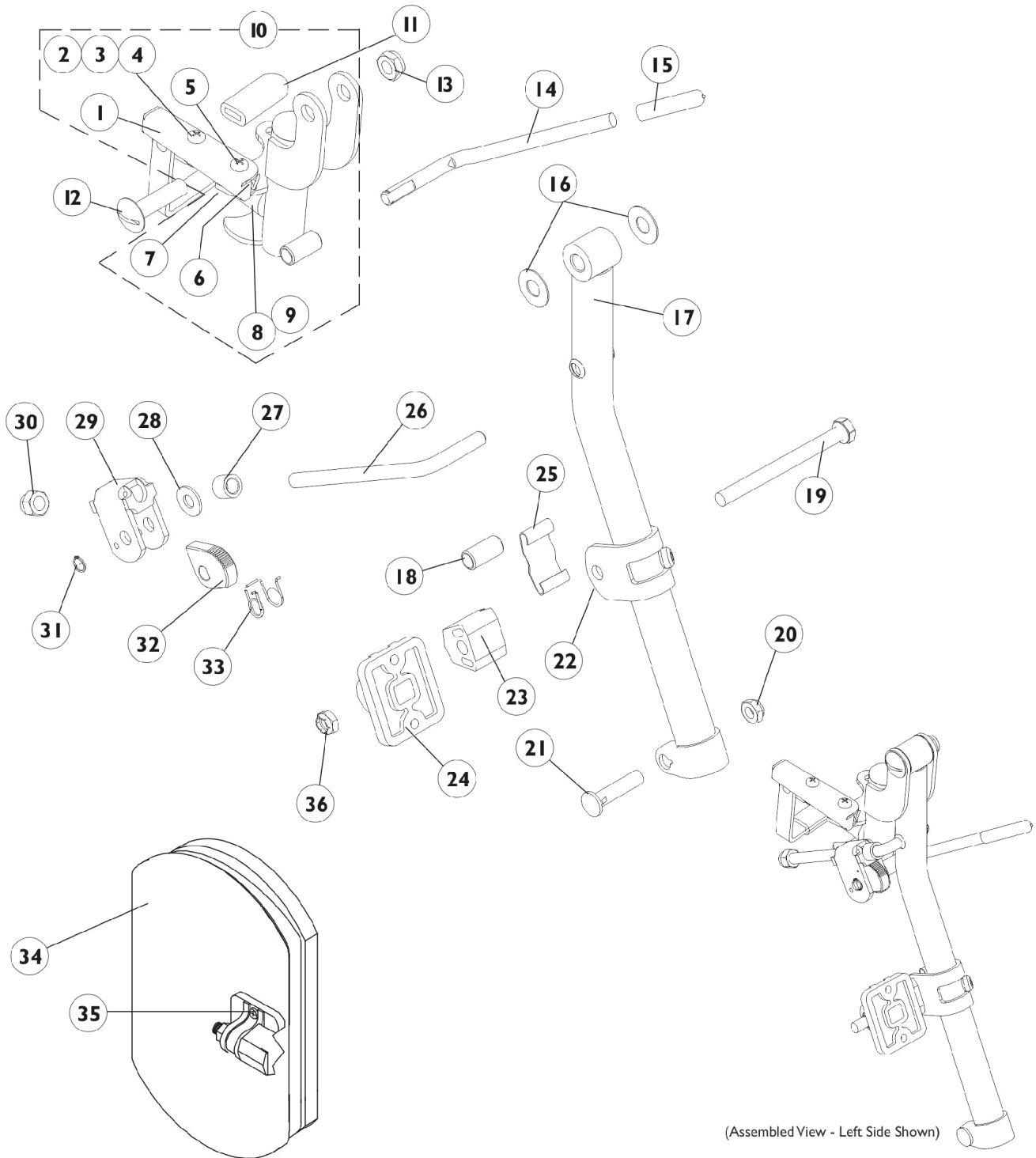
For complete Footrest Support Assembly part nos., see Front Riggings Reference chart.

Item Number	Note	Part Number	Description	Quantity Per	
				Package	Assembly
1		1020719	Anti-Rattle, Black	1	1
2		1025716	Screw, Phillips Pan Head (#10-32 x 11/16")	1	1
3		47565X057	Bushing (7/32 x 3/8 x 11/32")	1	1
4		1025735	Locknut (#10-32)	1	1
5		1026114	Screw, Phillips Pan Head (#10-32 x 1/2")	1	1
6	A	1114749-NLA	NLA - Handle, Release, Black - Right	1	1
6	A	1114750-NLA	NLA - Handle, Release, Black - Left	1	1
7		1028846-NLA	NLA - Rivnut (#10-32)	1	1
8		1028707	Spring, Release - Right	1	1
8		1028708	Spring, Release - Left	1	1
9		1006490	Tip, Plastic, Black	1	1
10		15680X012	Collar, Anti-Rattle (7/8")	1	1
11		1070759	Screw, Hex Head (1/4-20 x 1-1/2")	1	1
12		1026099	Spacer, Coved (1/4 x 11/16 x 1/2")	1	2
13		1044214	Nut, Hex with Nylon Cap (1/4-20)	1	1
14	C	1020534	Insert, Threaded	1	1
15		1074143	Kit, Slide Tube Mounting Hardware	1	1
	B	1114755	Footrest Support Assembly, Hemi, Black - Right	1	1
	B	1114756	Footrest Support Assembly, Hemi, Black - Left	1	1

NOTE: A - Includes items 2-4
 B - Not Shown
 C - As of 8/15/03, the Threaded Insert was revised from 3 to 5 Holes. Threaded Insert is Backward Compatible and does not require ordering in Pairs.

Legrest Support - PH904A (Hemi)

For complete Legrest Support Assembly part nos., see Front Riggings Reference chart.



Legrest Support - PH904A (Hemi)

For complete Legrest Support Assembly part nos., see Front Riggings Reference chart.

Item Number	Note	Part Number	Description	Quantity Per	
				Package	Assembly
1	D	1114749-NLA	NLA - Handle, Release, Black - Right	1	1
1	D	1114750-NLA	NLA - Handle, Release, Black - Left	1	1
2		1025716	Screw, Phillips Pan Head (#10-32 x 11/16")	1	1
3		47565X057	Bushing (7/32 x 3/8 x 11/32")	1	1
4		1025735	Locknut (#10-32)	1	1
5		1026114	Screw, Phillips Pan Head (#10-32 x 1/2")	1	1
6		1008935	Spring, Release - Right	1	1
6		1008936	Spring, Release - Left	1	1
7		67005X000	Rivnut (#10-32)	1	1
8		1030979	Screw, Phillips Pan Head Tap (#10-32 x 3/4")	1	1
9		1022874	Bumper	1	1
10	E	1114753	Legrest Support Assembly, Black - Right	1	1
10	E	1114754	Legrest Support Assembly, Black - Left	1	1
11		1006490	Tip, Plastic, Black	1	1
12		11919X000-NLA	NLA - Screw, Slotted Truss Head (3/8-16 x 1-1/2")	1	1
13		40363X000	Hex Nut (3/8"-16)	1	1
14		1037126	Handle, Release	1	1
15		1040060	Tip, Plastic, Black	1	1
16		1058636-NLA	NLA - Washer, Nylon (25/64 x 7/8 x 1/32")	1	2
17	A	8881048851	Tube, Elevating Adjustable Support, Color - Right	1	1
17	A	8881048852	Tube, Elevating Adjustable Support, Color - Left	1	1
18		47328X003	Bushing, Pivot (5/16 x 7/16 x 7/8")	1	1
19		1014807	Screw, Hex Head (5/16-24 x 3-1/4")	1	1
20		1107321	Nut, Low Cap (5/16"-24)	1	1
21		1026030	Bolt, Lug (5/16-24 x 1-3/8")	1	1
22		1110207	Bracket, Calf Pad Mounting, Black	1	1
23		1025133	Spacer, Legrest Pad, Black	1	1
24		04526X019	Plate, Legrest Pad	1	1
25		48823X008	Spring, Leaf	1	1
26		1113030	Bar, Ratchet	1	1
27		47330X003	Spacer (5/16 x 1/2 x 3/8")	1	2
28		1013519	Washer, Nylon (5/16 x 11/16 x 1/16")	1	1
29		04528X002	Bracket, Release, Black	1	1
30		10261X000	Nut, Acorn (5/16-24)	1	1
31		1040831	Ring, Snap	1	1
32		1037125	Cam, Legrest	1	1
33		1037485	Spring, Release	1	1
34	B,H	8881091764	Pad, Legrest, Vinyl - Right/Left	1	1
35	G	1068649	Hardware, Legrest Pad	1	1
			Screw, Phillips Pan Head (#10-32 x 11/16")	1	2
			Screw, Phillips Pan Head (#10-32 x 1")	1	2
			Instruction Sheet, Legrest Pad Mtg.	1	1
36		1025730	Locknut (5/16-24)	1	1

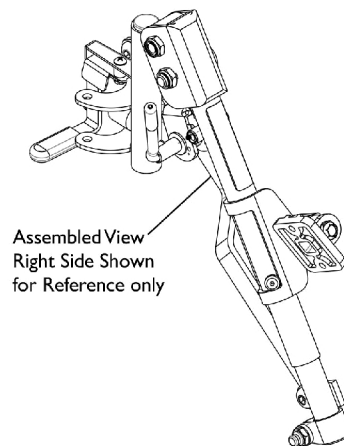
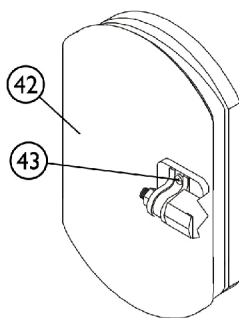
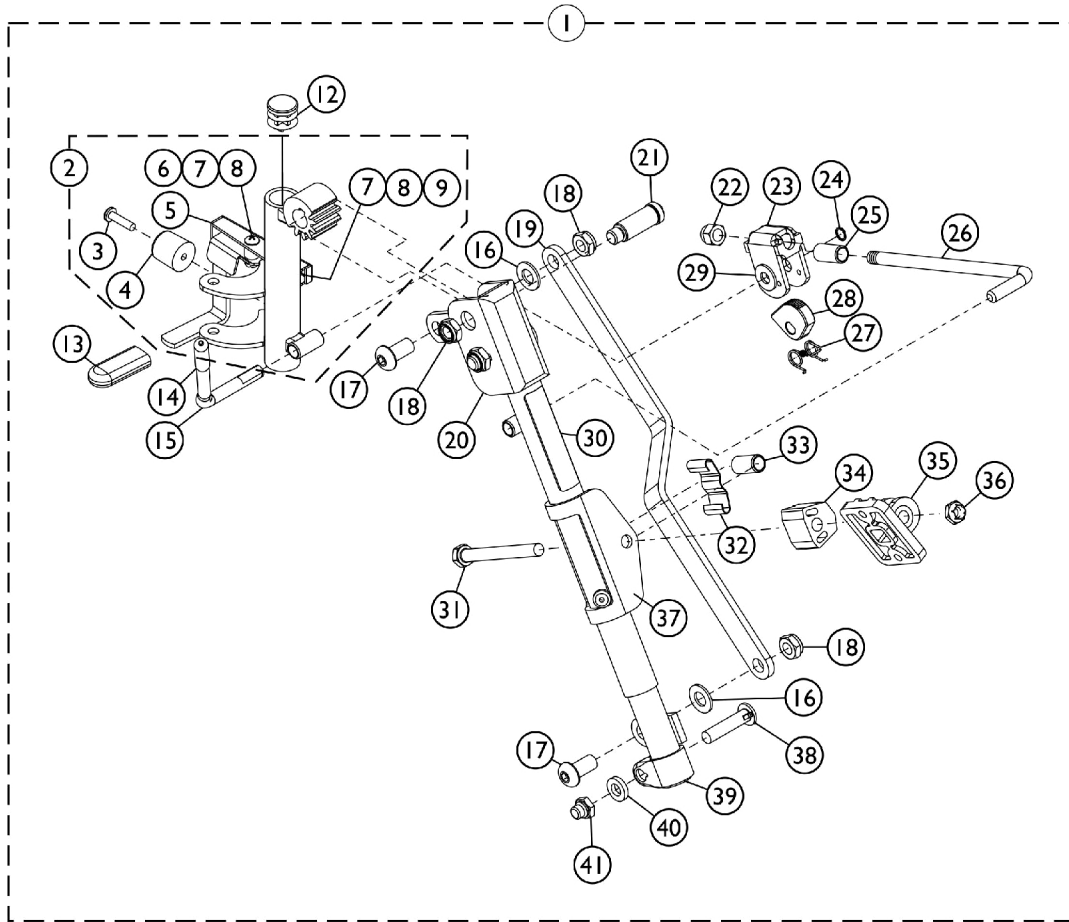
Legrest Support - PH904A (Hemi)

For complete Legrest Support Assembly part nos., see Front Riggings Reference chart.

Item Number	Note	Part Number	Description	Quantity Per	
				Package	Assembly
	A,C,F	8881114757	Legrest Support Assembly, Hemi, Color - Right	1	1
	A,C,F	8881114758	Legrest Support Assembly, Hemi, Color - Left	1	1
<p>NOTE: A - Specify 34P flat black frame finish when ordering B - Specify upholstery color U67 black when ordering C - Not Shown D - Includes items 2-4 E - Includes items 1-9 F - Includes items 1-33 and 36. Legrest Calf Pad is not included with support assemblies. Please see items 34 and 35. G - Includes Screws and Instruction Sheet. H - Due to a change to the Legrest Calf Pad size made on 4/23/12, you must also order the hardware kit (1068649) when ordering replacement Calf Pads.</p>					

PHAL4A (Hemi) Articulating Legrest Support Chrome

Due to a change to the Legrest Calf Pad size made on 4/23/12, you must also order the hardware kit (1068649) when ordering replacement Calf Pads.



SCP_001A

PHAL4A (Hemi) Articulating Legrest Support Chrome

Due to a change to the Legrest Calf Pad size made on 4/23/12, you must also order the hardware kit (1068649) when ordering replacement Calf Pads.

Item Number	Note	Part Number	Description	Quantity Per	
				Package	Assembly
1	B	1114761	Legrest Support Assembly, Articulating, Hemi, Chrome - Right	1	1
1	B	1114762	Legrest Support Assembly, Articulating, Hemi, Chrome - Left	1	1
2	C,F	1114759-NLA	NLA - Tube, Legrest Support, Hemi, Chrome - Right	1	1
2	F	1114760	Tube, Legrest Support, Hemi, Chrome - Left	1	1
3		1030979	Screw, Phillips Pan Head Tap (#10-32 x 3/4")	1	1
4		1022874	Bumper	1	1
5		1114751-NLA	NLA - Handle, Release, Chrome - Right	1	1
5		1114752	Handle, Release, Chrome - Left	1	1
6		47565X057	Bushing (7/32 x 3/8 x 11/32")	1	1
7		60279X003	Locknut (#10-32)	1	1
8		40163X008	Screw, Phillips Pan Head (#10-32 x 11/16")	1	1
9		1008935	Spring, Release - Right	1	1
9		1008936	Spring, Release - Left	1	1
10		67005X000	Rivnut (#10-32)	1	1
11		40163X002	Screw, Phillips Round Head (#10-32 x 1/2")	1	1
12		1027097	Plug Button, Black (3/4")	1	1
13		1006490	Tip, Plastic, Black	1	1
14		1040060	Tip, Plastic, Black	1	1
15		1037126	Handle, Release	1	1
16		1049527	Washer, Nylon (3/8 x 3/4 x 1/16")	1	2
17		1022866-NLA	NLA - Screw, Socket Button Head (3/8-16 x 3/4")	1	2
18		40363X000	Hex Nut (3/8"-16)	1	3
19		1022846-NLA	NLA - Bar, Link, Black	1	1
20		1022877-NLA	NLA - Tube, Support and Drive Link, Chrome - Right	1	1
20		1022878-NLA	NLA - Tube, Support and Drive Link, Chrome - Left	1	1
21		1022854-NLA	NLA - Screw, Shoulder Slotted Head (1/2 x 1-1/8", 3/8-16)	1	1
22		10261X000	Nut, Acorn (5/16-24)	1	1
23		04528X002	Bracket, Release, Black	1	1
24		1040831	Ring, Snap	1	1
25		47328X003	Bushing, Pivot (5/16 x 7/16 x 7/8")	1	2
26		42326X004	Bar, Ratchet - Right/Left	1	1
27		1037485	Spring, Release	1	1
28		1037125	Cam, Legrest	1	1
29		1013519	Washer, Nylon (5/16 x 11/16 x 1/16")	1	1
30		1024911-NLA	NLA - Decal, Smartleg	1	1
31		1014807	Screw, Hex Head (5/16-24 x 3-1/4")	1	1
32		48823X008	Spring, Leaf	1	1
33		47328X003	Bushing, Pivot (5/16 x 7/16 x 7/8")	1	1
34		1025133	Spacer, Legrest Pad, Black	1	1

PHAL4A (Hemi) Articulating Legrest Support Chrome

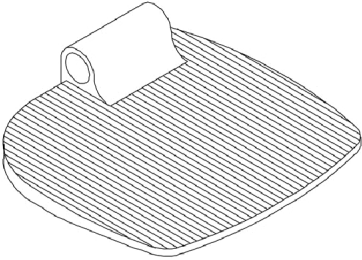
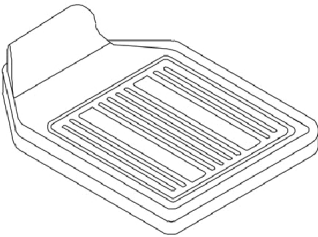
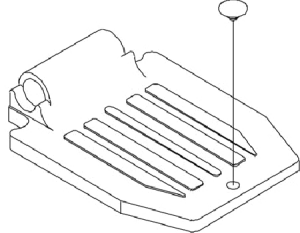
Due to a change to the Legrest Calf Pad size made on 4/23/12, you must also order the hardware kit (1068649) when ordering replacement Calf Pads.

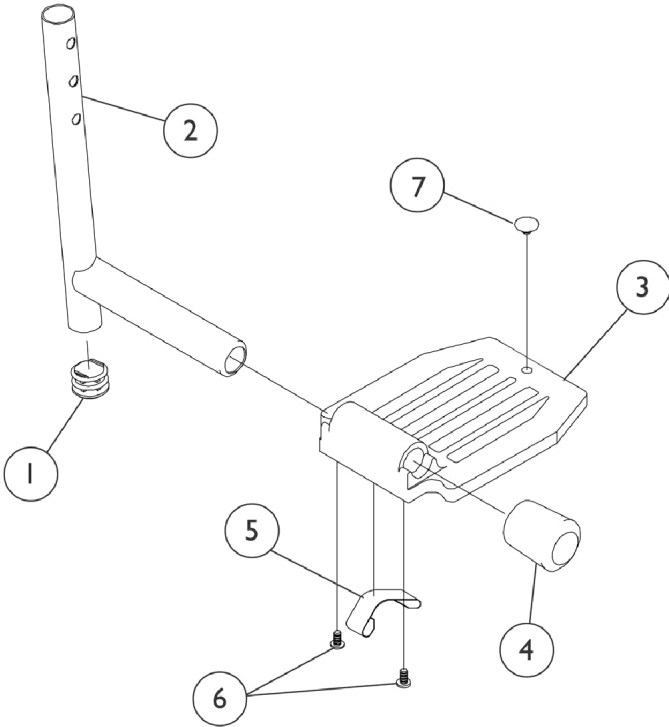
Item Number	Note	Part Number	Description	Quantity Per	
				Package	Assembly
35		04526X019	Plate, Legrest Pad	1	1
36		60264X001	Locknut (5/16-24)	1	1
37		1025104	Bracket, Legrest, Chrome	1	1
38		11232X009	Bolt, Lug (5/16-24 x 1-3/8")	1	1
39		1022848	Tube, Slide, Articulating, Chrome - Right	1	1
39		1022849	Tube, Slide, Articulating, Chrome - Left	1	1
40		1027377	Washer (#20)	1	1
41		1107321	Nut, Low Cap (5/16"-24)	1	1
42	A,E	8881091764	Pad, Legrest, Vinyl - Right/Left	1	1
43	D	1068649	Hardware, Legrest Pad	1	1
			Screw, Phillips Pan Head (#10-32 x 11/16")	1	2
			Screw, Phillips Pan Head (#10-32 x 1")	1	2
			Instruction Sheet, Legrest Pad Mtg.	1	1

NOTE: A - Specify upholstery color U67 black when ordering.
 B - Includes items 3-41
 C - No Longer Available individually. See part # 1114761 for replacement.
 D - Item Includes Screws and Instruction Sheet.
 E - Due to a change to the Legrest Calf Pad size made on 4/23/12, you must also order the hardware kit (1068649) when ordering replacement Calf Pads.
 F - Includes items 3-9.

Pivot/Slide Tube and Footplate PHW93

Heel loops are not included. See Footrest and Legrest Accessories.
For complete pivot/slide tube and footplate assemblies, see Front Riggings Reference chart.

		
<p>1350 Extra large</p>	<p>1450 Deluxe</p>	<p>1650 Standard Aluminum</p>



Pivot/Slide Tube and Footplate PHW93

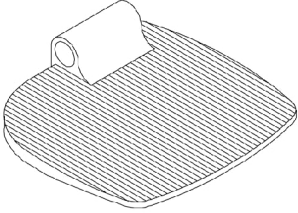
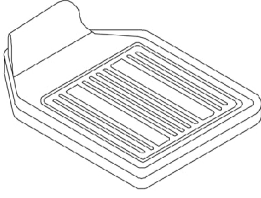
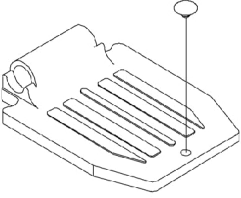
**Heel loops are not included. See Footrest and Legrest Accessories.
For complete pivot/slide tube and footplate assemblies, see Front Riggings Reference chart.**

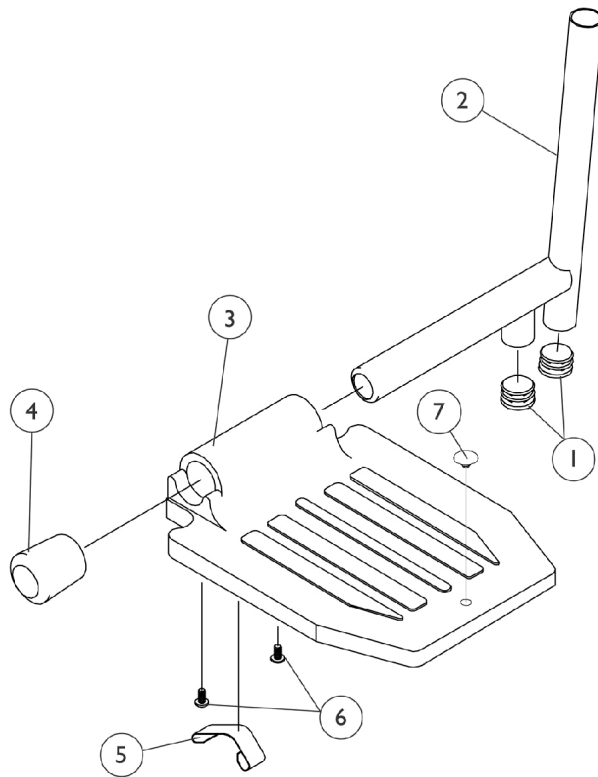
Item Number	Note	Part Number	Description	Quantity Per	
				Package	Assembly
1		1027097	Plug Button, Black (3/4")	1	2
2	C,A	1048834	Pivot/Slide Tube w/ Plug Button, Black	1	1
2	C,A	1098906	Pivot/Slide Tube w/ Plug Button, Black (2" Longer)	1	1
2	C,A	1086482	Pivot/Slide Tube w/ Plug Button, Black (4" Longer)	1	1
2	B	1070762-NLA	NLA - Tube, Pivot/Slide w/ Plug Button, Deluxe Aluminum, Black	1	1
3	A	44200X027	Footplate, Aluminum, Medium, Black (7-3/4" W x 6" L)	1	1
3	B	1043659-NLA	NLA - Footplate, Aluminum, Deluxe, Black - Right (8" W x 5-3/4" L)	1	1
3	B	1043660-NLA	NLA - Footplate, Aluminum, Deluxe, Black - Left (8" W x 5-3/4" L)	1	1
3	C	44200X025	Footplate, Aluminum, Extra Large, Black - Right (8" W x 8-1/2" L)	1	1
3	C	44200X026	Footplate, Aluminum, Extra Large, Black - Left (8" W x 8-1/2" L)	1	1
4	A	1016346	Cap, End, Tube, Black (7/8")	1	1
4	C	1027095	Plug Button, Black (7/8")	1	1
5	D,A	1006981	Spring, Tension	1	2
5	D,B	1036120-NLA	NLA - Spring	1	2
5	C,F	1036123	Spring, Leaf	1	1
6	E	40120X001	Screw, Phillips Pan Head (#8-32 x 3/8")	1	2
7		1070168	Plug, Push, Footplate	1	1
NOTE: A - Standard Aluminum (1650) B - Deluxe Aluminum (1450) C - Extra Large Aluminum (1350) D - Two per side E - Deluxe takes one F - Use one or more leaf springs per assembly as required such that footplate may be moved by hand to the up-right position and remain in place.					

Pivot/Slide Tube and Footplates

PH904A and PHAL4A

Heel loops are not included. See Footrest and Legrest Accessories.
 For complete pivot/slide tube and footplate assemblies, see Front Riggings Reference chart.

		
<p>1350 Extra large</p>	<p>1450 Deluxe</p>	<p>1650 Standard Aluminum</p>



Pivot/Slide Tube and Footplates

PH904A and PHAL4A

Heel loops are not included. See Footrest and Legrest Accessories.

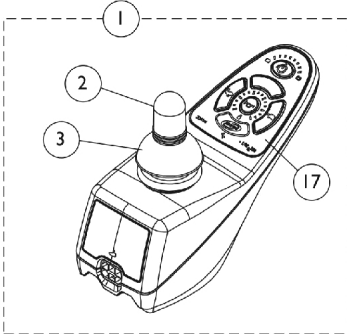
For complete pivot/slide tube and footplate assemblies, see Front Riggings Reference chart.

Item Number	Note	Part Number	Description	Quantity Per	
				Package	Assembly
1		1027097	Plug Button, Black (3/4")	1	2
2	A,B,D	1100568-NLA	NLA - Pivot/Slide Tube w/ Plug Button, Black	1	1
2	A,B,D	1100569-NLA	NLA - Pivot/Slide Tube Assembly, Extra Large, Standard Aluminium - 2" Longer, Black	1	1
2	A,B,D	1100570-NLA	NLA - Pivot/Slide Tube w/ Plug Button, Black (4" Longer)	1	1
2	A,B,E	1041526	Pivot/Slide Tube w/ Plug Button Assembly, Chrome	1	1
2	C,D	1100571-NLA	NLA - Pivot/Slide Tube w/ Plug Button, Deluxe, Black	1	1
2	C,E,H	1023804-NLA	NLA - Pivot/Slide Tube w/ Plug Button, Deluxe, Chrome	1	1
3	A	44200X027	Footplate, Aluminum, Medium, Black (7-3/4" W x 6" L)	1	1
3	C	1043659-NLA	NLA - Footplate, Aluminum, Deluxe, Black - Right (8" W x 5-3/4" L)	1	1
3	C	1043660-NLA	NLA - Footplate, Aluminum, Deluxe, Black - Left (8" W x 5-3/4" L)	1	1
3	B	44200X025	Footplate, Aluminum, Extra Large, Black - Right (8" W x 8-1/2" L)	1	1
3	B	44200X026	Footplate, Aluminum, Extra Large, Black - Left (8" W x 8-1/2" L)	1	1
4	A	1016346	Cap, End, Tube, Black (7/8")	1	1
4	B	1027095	Plug Button, Black (7/8")	1	1
5	A	1006981	Spring, Tension	1	1
5	C,F	1036120-NLA	NLA - Spring	1	1
5	B,I	1036123	Spring, Leaf	1	1
6	G	40120X001	Screw, Phillips Pan Head (#8-32 x 3/8")	1	2
7		1070168	Plug, Push, Footplate	1	1

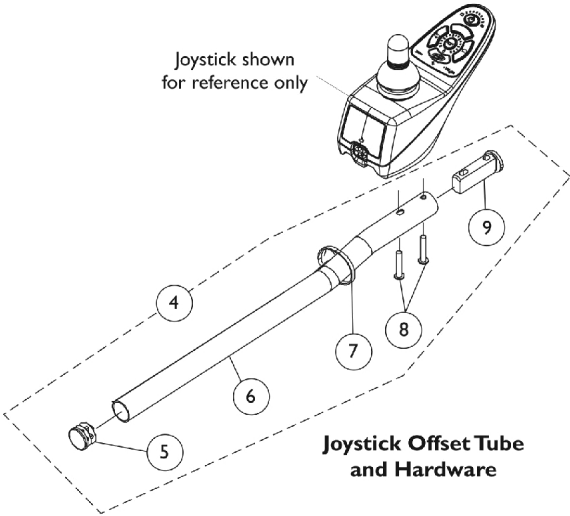
NOTE: A - Standard Aluminum (1650)
 B - Extra Large Aluminum (1350)
 C - Deluxe Aluminum (1450)
 D - PH904A
 E - PHAL4A
 F - Two per side
 G - Deluxe takes one
 H - Part #1023804 is no longer available as a service part individually. See category titled "Front Rigging Reference Chart" and order part #1023924 or 1023925 Pivot/Slide Tube and Footplate Assembly (Deluxe Aluminum - 1450) as a replacement.
 I - Use one or more leaf springs per assembly as required such that footplate may be moved by hand to the up-right position and remain in place.

MK5 SPJ+ Joystick and Mounting Hardware

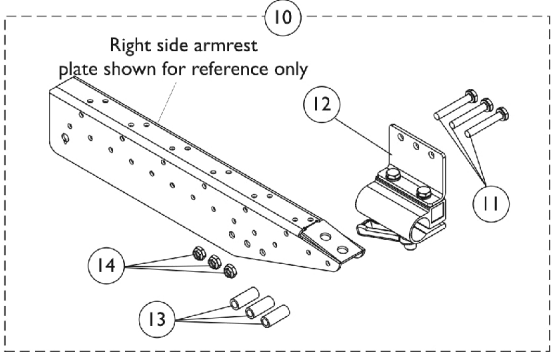
(For Ser. #'s Starting w/ Before 08C & After 09F)



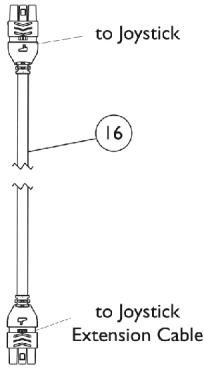
MK5 SPJ+ Joystick



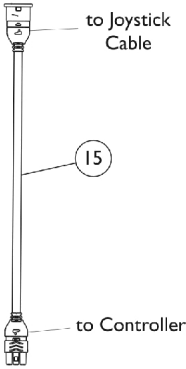
Joystick Offset Tube and Hardware



Joystick Tube Mounting Hardware



Joystick Cable



Joystick Extension Cable

MK5 SPJ+ Joystick and Mounting Hardware (For Ser. #'s Starting w/ Before 08C & After 09F)

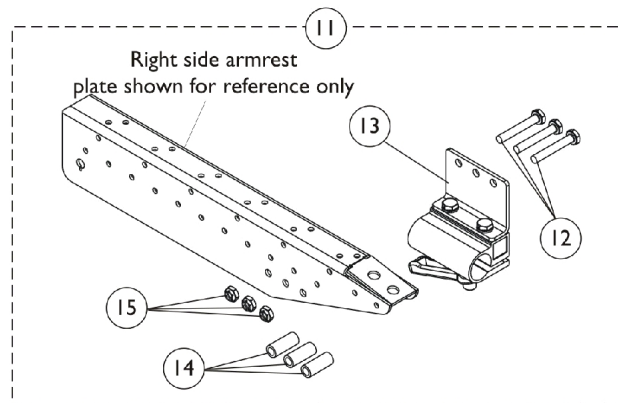
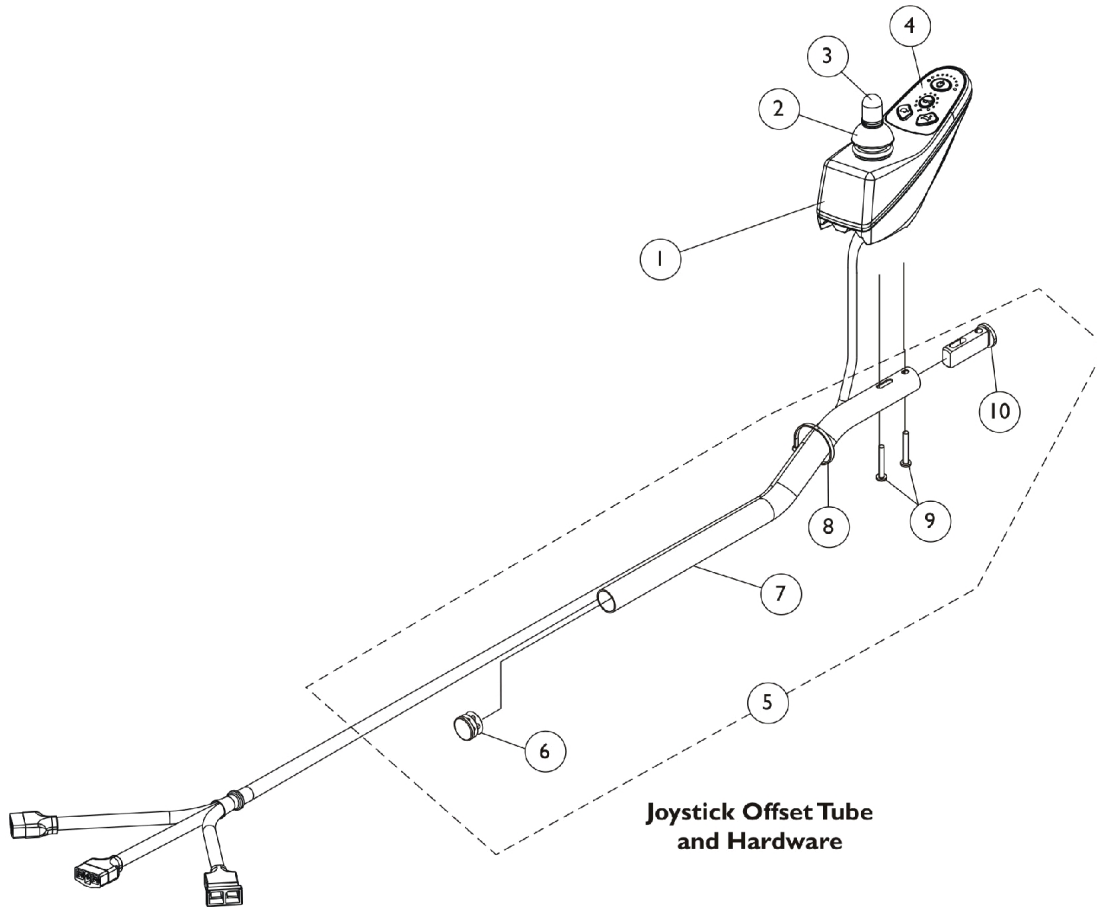
Item Number	Note	Part Number	Description	Quantity Per	
				Package	Assembly
1	A,D,E, F	1127291	Joystick, SPJ+	1	1
2		1040217	Knob, Joystick Rubber, Black	1	1
3		1040218	Skirt, Joystick Rubber, Black	1	1
4	B	1161733	Kit, 2" Offset Joystick Tube w/ Hardware	1	1
5			Plug Button, Black (7/8")	1	1
6			Tube, Joystick Offset (2")	1	1
7			Tie Wrap (11-1/2" L)	1	2
8			Screw, Phillips Pan Head (#10-32 x 1-1/8")	1	2
8			Screw, Phillips Pan Head (M5 x .8 x 30mm)	1	2
9			Spacer, Joystick Tube, Black	1	1
5		1130582	Package, Plug Button, Black (7/8")	10	1
7		1095502-NLA	NLA - Package, Tie Wrap (11-1/2" L)	10	1
10	C	1115000	Kit, Joystick Tube Mounting Hardware - Captain Seat	1	1
11		1037610	Screw, Hex Head (1/4-20 x 1-5/8")	1	3
12		1105049	Clamp Assembly, Fixed Height, Captain/ Van Seat	1	1
13		1087219	Spacer (1/4 x 3/8 x 1")	1	3
14		1025195	Locknut (1/4-20)	1	3
15	E	1116404	Cable, Joystick Extension	1	1
16	E	1127293	Cable, Joystick SPJ+	1	1
17		1165094	Kit, Overlay, SPJ+ Joystick (MK5/MK6)	1	1
			NLA - Overlay, SPJ+ Joystick	1	1
			Instruction Sheet, MK5/MK6 Overlay	1	1

NOTE: A - Includes joystick and items 2, 3 and 17.
 B - Includes item 5 thru 9. Kit contains Standard (#10-32) and Metric (M5) screws. Customer selects screw that applies to their application.
 C - Includes items 11 thru 14.
 D - Battery Charger is plugged into the front port on the joystick to charge batteries.
 E - Used Before 4/1/08 w/ Ser. #'s Ending w/ 08C & After 5/31/09 Starting w/ Ser. #'s 09F
 F - Before replacing your joystick, verify with Invacare Technical Service Phone Support first to see if only a Joystick Overlay Kit is needed

Joystick/Controller, A-Series Integrated

NOTE: Joystick and Controller are combined into one unit and has programming capabilities

(For Ser. #'s 08DSZ190001 - 09ESZ)



Joystick/Controller, A-Series Integrated

NOTE: Joystick and Controller are combined into one unit and has programming capabilities
(For Ser. #'s 08DSZ190001 - 09ESZ)

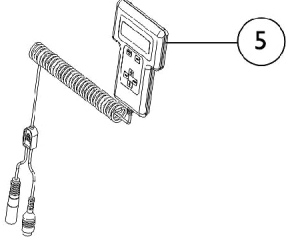
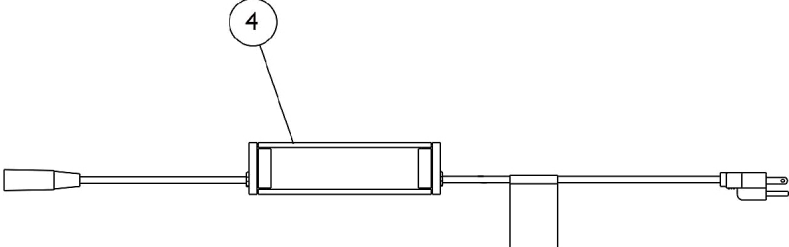
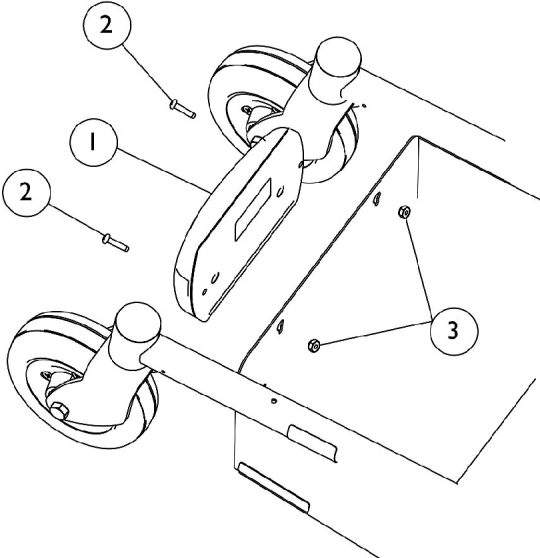
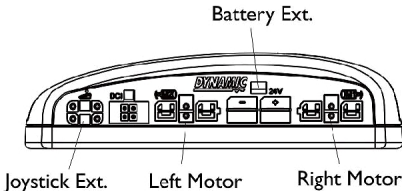
Item Number	Note	Part Number	Description	Quantity Per	
				Package	Assembly
1	A	1147600-NLA	NLA - Joystick/Controller, A-Series Integrated	1	1
2		1040218	Skirt, Joystick Rubber, Black	1	1
3		1040217	Knob, Joystick Rubber, Black	1	1
4	E	1165880	Kit, Overlay, A-Series Joystick/Controller	1	1
			Overlay, A-Series Joystick/Controller	1	1
			Instruction Sheet, MK5/MK6 Overlay	1	1
5	B	1161733	Kit, 2" Offset Joystick Tube w/ Hardware	1	1
6			Plug Button, Black (7/8")	1	1
7			Tube, Joystick Offset (2")	1	1
8			Tie Wrap (11-1/2" L)	1	2
9			Screw, Phillips Pan Head (#10-32 x 1-1/8")	1	2
9			Screw, Phillips Pan Head (M5 x .8 x 30mm)	1	2
10			Spacer, Joystick Tube, Black	1	1
11	C	1115000	Kit, Joystick Tube Mounting Hardware - Captain Seat	1	1
12		1037610	Screw, Hex Head (1/4-20 x 1-5/8")	1	3
13		1105049	Clamp Assembly, Fixed Height, Captain/ Van Seat	1	1
14		1087219	Spacer (1/4 x 3/8 x 1")	1	3
15		1025195	Locknut (1/4-20)	1	3
	D	1143837	NLA - Kit, Literature, A-Series Controller	1	1
			NLA - Warranty Card	1	1
			NLA - Owner's Manual, M41	1	1
			Instruction Manual, MK5 A-Series Programmer	1	1
			Tie Wrap (11-1/2" L)	1	3
	D	1121089	Charger, Battery, 3 Amp, Off Board	1	1
	D	1121089E-NLA	NLA - WARR RPLMT - Charger, Battery, 3 Amp (Off Board)	1	1

NOTE: A - Includes Joystick/Controller, items 2, 3 and item #4 Overlay. Introduced 4/1/08 starting with serial number 08DSZ190001 - 09ESZ.
 B - Includes items 6-10. Kit contains Standard (#10-32) and Metric (M5) screws. Customer selects screw that applies to their application.
 C - Includes items 12-15
 D - Not Shown
 E - Includes the A-Series Joystick/Controller Overlay and Instruction Sheet

Electronics - MK5 NX Controllers and Battery Charger

(For Ser. #'s Before 08C & After 09F)

Controller Connections

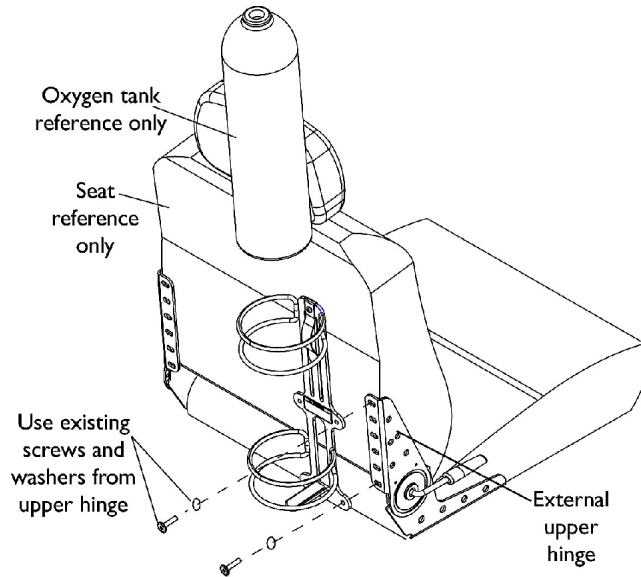


Electronics - MK5 NX Controllers and Battery Charger (For Ser. #'s Before 08C & After 09F)

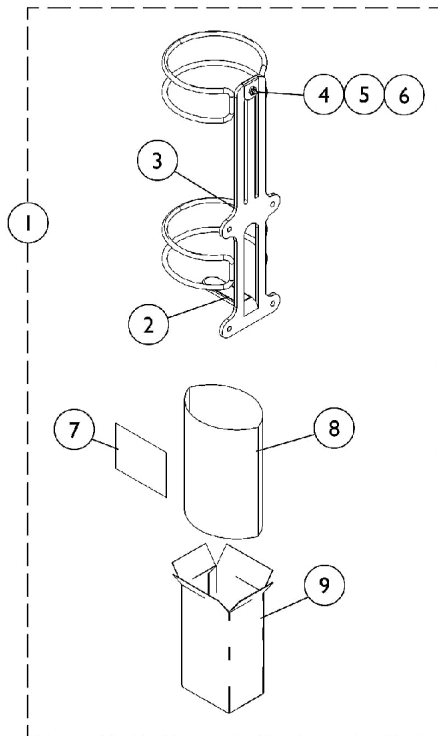
Item Number	Note	Part Number	Description	Quantity Per	
				Package	Assembly
1	B	1143839	Controller, MK5 NX (40 AMP)	1	1
2	B	1127352	Screw, Phillips Pan Head (#8-32 x 1")	1	2
3	B	1056098	Locknut (#8-32)	1	2
4	A	1121089	Charger, Battery, 3 Amp, Off Board	1	1
4	A	1121089E-NLA	NLA - WARR RPLMT - Charger, Battery, 3 Amp (Off Board)	1	1
5		1109091-NLA	NLA - Programmer, Remote	1	1
NOTE: A - Battery Charger plugs into the front port on the joystick to charge batteries. B - Used Before 4/1/08 w/ Ser. #'s Ending w/ 08C & After 5/31/09 Starting w/ Ser. #'s 09F					

Oxygen Holder Assembly

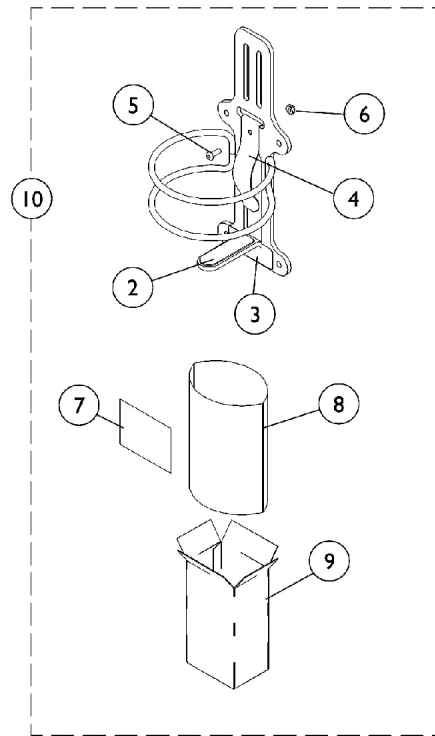
Semi-Recline Van Seat



Installing on Seat with External Hinge



O2 Holder D or E size tanks



O2 Holder Home Filled Tank (HFO2-ML6)

Oxygen Holder Assembly Semi-Recline Van Seat

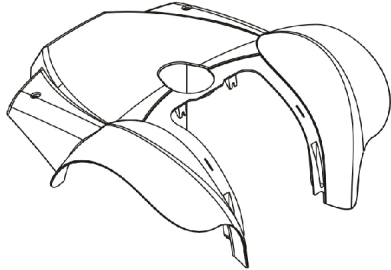
Item Number	Note	Part Number	Description	Quantity Per	
				Package	Assembly
1	A	1116956	Oxygen Holder Assembly(D or E Tanks)	1	1
2		1116950-NLA	NLA - Pad, Non-Skid	1	1
3		1080866	Decal, Oxygen Warning - English	1	1
4		1116945	Spring, Oxygen Holder	1	1
5		1072319-NLA	NLA - Screw, Socket Button Head (#10-32 x 1/2")	1	1
6		1025735	Locknut (#10-32)	1	1
7	B	1116957-NLA	NLA - Instruction Sheet, Oxygen Holder	1	1
8		1021866-NLA	NLA - Bag, Poly (26" L x 15" W)	1	1
9		1063960	Carton	1	1
10	A	HFO2-ML6	Oxygen Holder Assembly (Home Filled Tank)	1	1

NOTE: A - Includes Oxygen Holder plus items 2-9. For seats with an EXTERNAL (visible) hinge assembly.
 B - Item is no longer available from the Invacare Service Parts Department. Refer to the Invacare Website under "Product Literature Search". Enter the part number in the "Keywords" field and download a free PDF version copy.

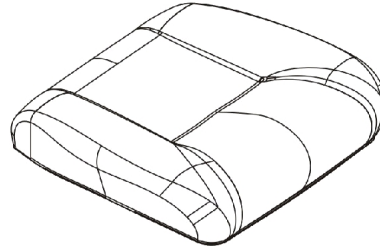
Refresh Kits

Pronto M41

1



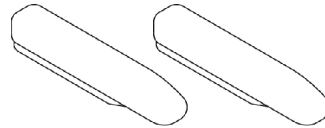
Top Shroud Assembly



**Semi-Recline
Van Seat Base Assembly
(Office Style Dark Grey/Charcoal)**

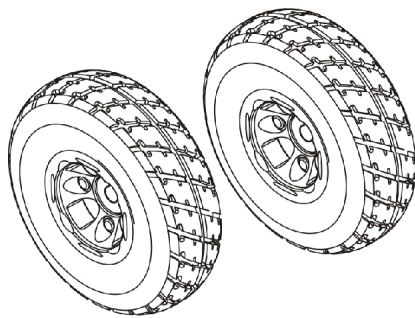


Joystick Knob

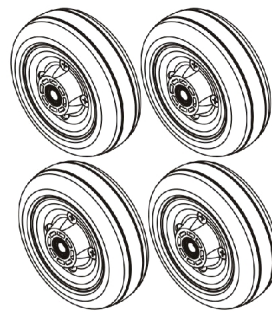


**Semi-Recline
Van Seat Arm Pads**

2



**Drive Wheel Assemblies
w/ Flat Free Tire
(10" x 3")**



**Caster Wheel Assemblies,
Urethane
Deep Profile
(6" x 2")**

Refresh Kits Pronto M41

Item Number	Note	Part Number	Description	Quantity Per	
				Package	Assembly
1	A,B,D, E	1173785-NLA	NLA - Kit, Refresh, Pronto M41, Red w/ Instructions	1	1
1	A,B,D, E	1173786-NLA	NLA - Kit, Refresh, Pronto M41, Blue w/ Instructions	1	1
2	C,E	1173787-NLA	NLA - Kit, Refresh, Drive Wheels w/ Flat Free, Caster Wheels and Instructions	1	1
<p>NOTE: A - Kit includes (1) ea. Top Shroud Assembly, (1) ea. Semi-Recline Van Seat Base Assembly, (1) ea. Joystick knob, (2) ea. Semi-Recline Van Seat Arm Pads, (1) ea. Literature Package and Service Manual not shown. B - Not Shown. Literature Package includes (1) ea. MK5 NX Programmer Manual, (1) ea. Owner's Manual, (3) ea. Cable Ties. C - Kit includes (2) ea. 10" x 3" Driver Wheels w/ Flat Free Tires, (4) ea. 6" x 2" Caster Wheels and a Service Manual not shown. D - Kits used for 18" wide Office Style Semi-Recline Van Seat Assembly. E - Includes part #1190604 Supplemental Power Wheelchair Warnings/Wear and Tear Information Owner's Manual.</p>					

Warranty Replacement Parts

Part Number	Description	Quantity per Assembly
1121089E-NLA See Note(s) B, A	WARR RPLMT - Charger, Battery, 3 Amp (Off Board)	1
1134124E-NLA See Note(s) C	WARR RPLMT - Motor and Gearbox Assembly - Right	1
1134125E-NLA See Note(s) C	WARR RPLMT - Motor and Gearbox Assembly - Left	1
<p>NOTE: A - See Category "Electronics - MK5 NX Controllers & Battery Charger (For Ser. # Before 08C & After 09F)" for additional information. B - See Category "Electronics - Joystick/Controller - A Series Integrated (For Ser. # 08DSZ190001 - 09ESZ)" for additional information. C - See Category "Motors - Drive Wheel & Hardware" for additional information.</p> <p>Chairs manufactured with motors before serial number 08DSZ190001 and after serial numbers beginning with 09E generate reverse error codes. During these periods, an error code on the right side motor would be an indication that the left side motor must be replaced. An error code on the left side motor would be an indication that the right side motor must be replaced.</p>		

Invacare Corporation

www.invacare.com



Yes, you can.

One Invacare Way
Elyria, Oh USA
44036-2125
800-333-6900

Technical Support
800-832-4707
Customer Service
800-333-6900

Literature Orders
800-333-6900

© 2022 Invacare Corporation. All rights reserved. Republication, duplication or modification in whole or in part is prohibited without prior written permission from Invacare. Trademarks are identified by [™] and ©. All trademarks are owned by or licensed to Invacare Corporation or its subsidiaries unless otherwise noted. (Revised 08/10/22)

Form No. 06-108