

# **Dolomite Rollators - Canada**



*Yes, you can.*

# Parts Catalogue Usage Guide

The information contained in this document is subject to change without notice. This catalogue contains service parts for Form No. 06-103C. If you have any questions regarding this catalogue, please contact one of our Customer Service Representatives.

**For Customer Service Support Call:**

**1-800-668-5324 or 1-905-890-8300**

**For Faxed In Orders Call:**

**1-800-668-5478 or**

**1-905-890-5244**

**For Technical Service Call:**

**1-800-668-5324 x2655**

**For Orders:**

**canadaorders@invacare.com**

**Literature: www.invacare.ca or 1-800-668-5324**

## SYMBOL DEFINITION

Throughout this catalog you will notice letters to draw your attention to specific footnotes which are located at the bottom of the page or below specified charts.

Examples:

A,B,C etc. = Special Comments

NOTE: = General information pertaining to that specific page

NLA = No Longer Available

## HARDWARE MEASUREMENTS

The measurements for the hardware will be listed as follows:

Screws, Bolts Diameter X Thread Count/Pitch X Length

Washers Inside Diameter X Outside Diameter X Thickness

Spacers Inside Diameter X Outside Diameter X Length

For your convenience, we have supplied an area for you to list your Invacare Representatives.

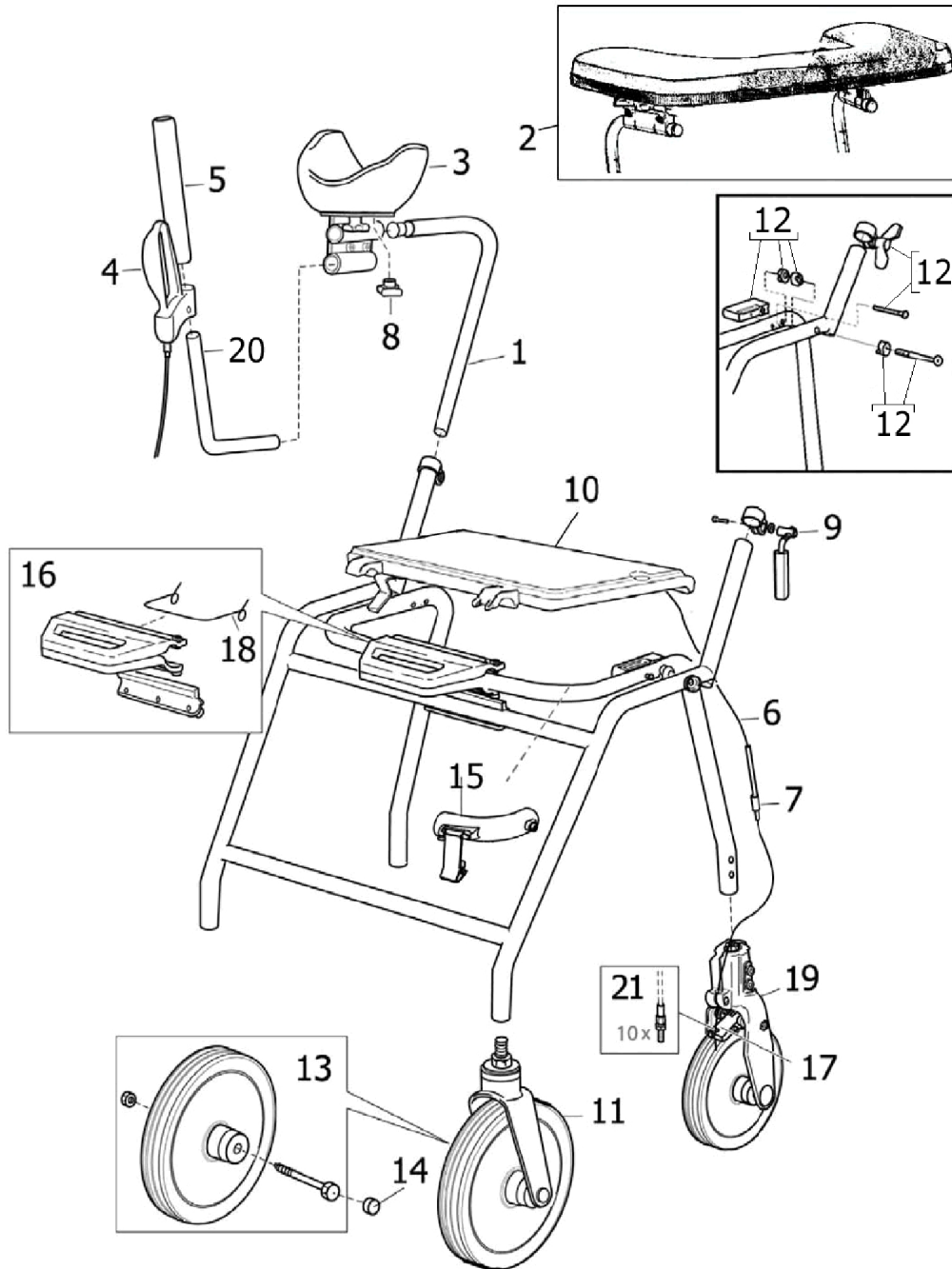
| Name | Phone Numbers |
|------|---------------|
|      |               |
|      |               |
|      |               |
|      |               |
|      |               |

© 2022 Invacare Corporation, Elyria, Ohio. Invacare, the Medallion Design and Yes, you can. are registered trademarks of the Invacare Corporation. Information is subject to change without notification.

# TABLE of CONTENTS

| <b>Description</b>  | <b>Page Number</b> |
|---|--------------------|
| 01. Alpha Basic Attachment .....  | 3                  |
| 02. Alpha Advanced Attachment .....   | 5                  |
| 03. Amigo Rollator .....  | 7                  |
| 04. Jazz Rollator - Service Parts (Before Serial No. 13CHX000681) .....         | 10                 |
| 05. Jazz Rollator (JAZZSTD/JAZZLOW) Service Parts (After S/N 13CHX000681) ..... | 12                 |
| 06. Jazz Rollator (JAZZSTD/JAZZLOW) Accessories (After S/N 13CHX000681) .....   | 14                 |
| 07. Legacy Rollator .....   | 16                 |
| 08. Legacy Lite Deluxe Rollator .....   | 19                 |
| 09. Maxi+ Rollator .....  | 21                 |
| 10. Melody Rollator .....   | 23                 |
| 11. Soprano Rollator .....  | 25                 |
| 12. Symphony Rollator .....   | 27                 |

# Alpha Basic Attachment

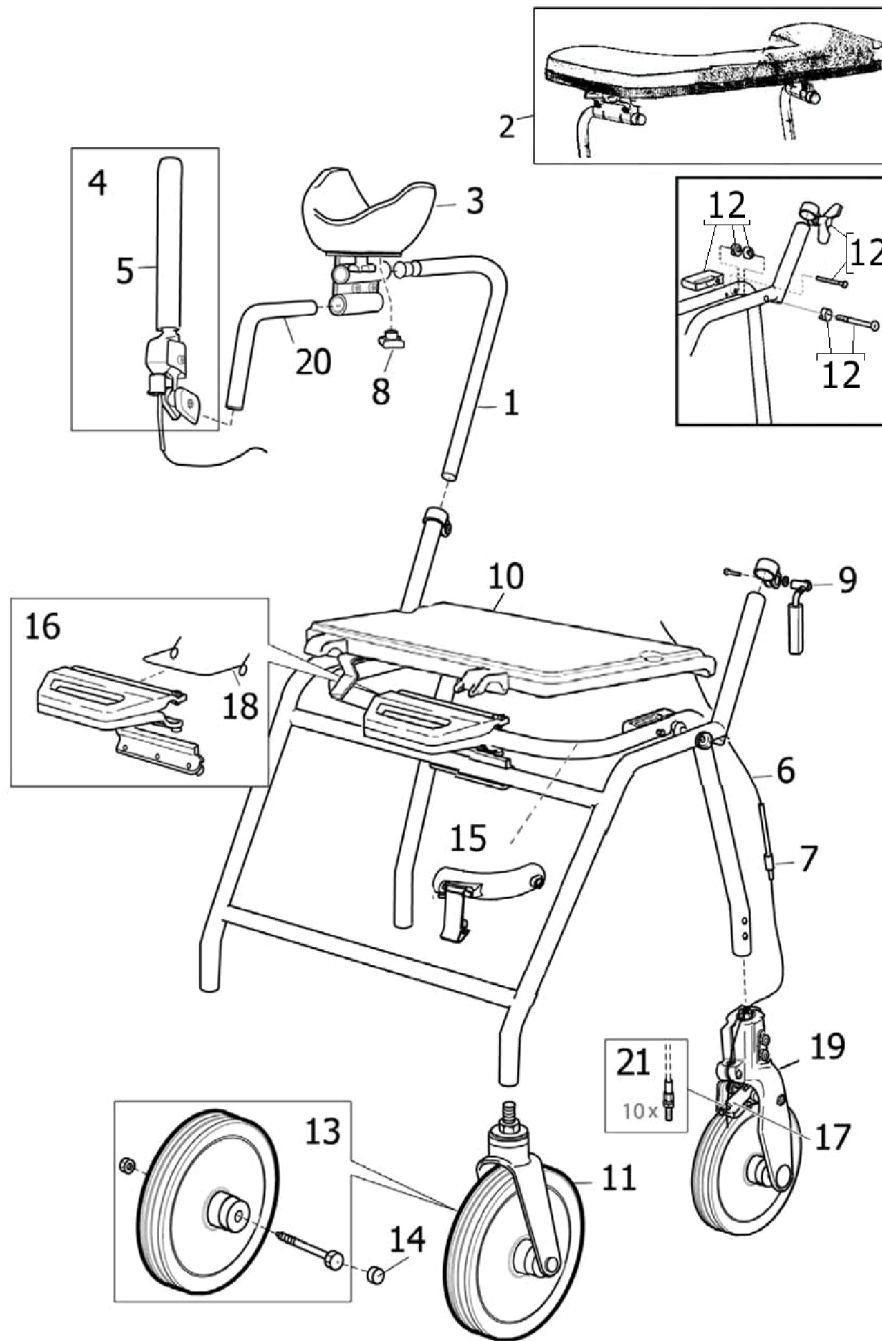


## Alpha Basic Attachment

| Item Number | Note | Part Number  | Description                                  | Quantity Per |          |
|-------------|------|--------------|--|--------------|----------|
|             |      |              |  | Package      | Assembly |
| 1           | A    | 13627        | Tube, Height Adjustment, Aluminum            | 1            | 2        |
| 2           |      | 13018        | Platform, Attachment                         | 1            | 1        |
| 3           |      | 13005-L      | Arm Support Assembly - Left                  | 1            | 1        |
| 3           |      | 13005-R      | Arm Support Assembly - Right                 | 1            | 1        |
| 4           |      | 13098-L      | Kit, Brake Handle - Left                     | 1            | 1        |
| 4           |      | 13098-R      | Kit, Brake Handle - Right                    | 1            | 1        |
| 5           |      | 12593        | Grip, Soft (Pair)                            | 1            | 1        |
| 6           |      | 1452466      | Wire (1330mm) (10 pcs)                       | 1            | 2        |
| 7           |      | 80075        | Wire Cover (1000mm)                          | 1            | 2        |
| 8           |      | 60042        | Knob, Adjustment                             | 1            | 2        |
| 8           |      | 1452467      | Package, Knob, Adjustment                    | 10           | 1        |
| 9           |      | 1452468      | Locking Device with Clamp (Pair)             | 1            | 1        |
| 10          |      | 12545        | Seat Assembly with Hardware, Flip-up         | 1            | 1        |
| 11          |      | 13565-25-V01 | Wheel Assembly, Grey w/ Fork, SL II - Front  | 1            | 2        |
| 12          |      | 12678        | Folding Hinge Assembly (Pair)                | 1            | 1        |
| 13          |      | 12609        | Wheel with Hardware, Grey, SLII - Front      | 1            | 2        |
| 14          |      | 70050-NLA    | NLA - Cap, Black Plastic - Front Fork        | 1            | 2        |
| 14          |      | 1452282      | Cap, Black, Plastic - Front Fork (20 pcs)    | 20           | 1        |
| 15          |      | 12656        | Lock, Folding                                | 1            | 1        |
| 16          |      | 1510376      | Kit, Folding Handle                          | 1            | 1        |
| 17          |      | 12620        | Brake Flap Assembly, DABSII                  | 2            | 1        |
| 18          |      | 72025        | Spring, Torsion Handle                       | 1            | 1        |
| 18          |      | 1529858      | Spring for Folding Handle (10 pcs)           | 10           | 1        |
| 19          | A    | 12590-25     | Wheel Assembly with Fork, Grey, SL II - Rear | 1            | 2        |
| 20          |      | 13626        | Tube, Handle, Aluminum                       | 1            | 2        |
| 21          |      | 1542524      | Package, Screw, Adjustment w /Nut (10 pcs)   | 10           | 1        |
|             | B    | 70311        | Tray, Food and Beverage                      | 1            | 1        |
|             | B    | 12530-15     | Basket, Standard / Low, max load 9 kg        | 1            | 1        |

NOTE: A - Use with Models built after December 2002.  
B - Not Shown.

# Alpha Advanced Attachment

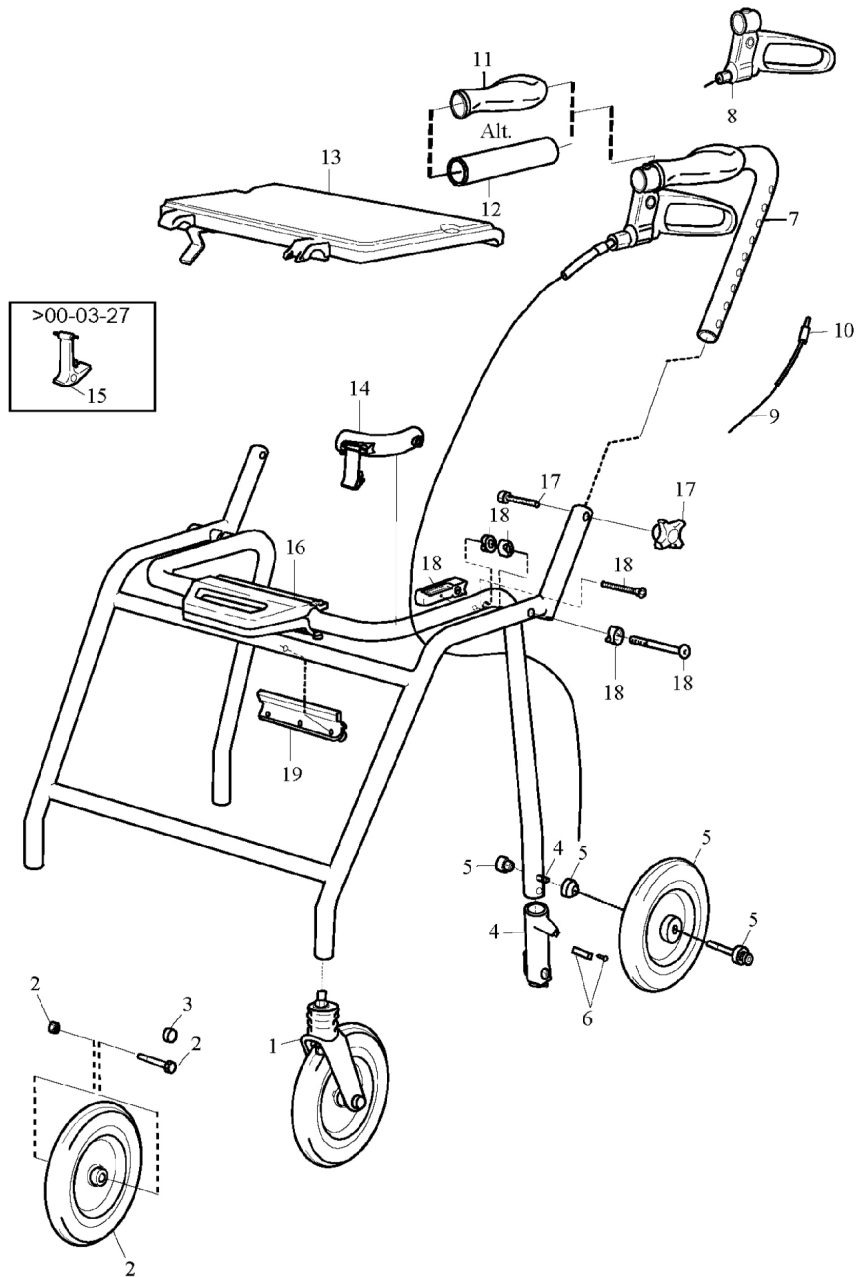


## Alpha Advanced Attachment

| Item Number | Note | Part Number  | Description                                  | Quantity Per |          |
|-------------|------|--------------|--|--------------|----------|
|             |      |              |  | Package      | Assembly |
| 1           | E    | 13627        | Tube, Height Adjustment, Aluminum            | 1            | 2        |
| 2           |      | 13018        | Platform, Attachment                         | 1            | 1        |
| 3           |      | 13005-L      | Arm Support Assembly - Left                  | 1            | 1        |
| 3           |      | 13005-R      | Arm Support Assembly - Right                 | 1            | 1        |
| 4           | A    | 1510549      | Brake Handle Assembly, Soft Grip             | 1            | 2        |
| 5           |      | 12593        | Grip, Soft (Pair)                            | 1            | 1        |
| 6           |      | 1452466      | Wire (1330mm) (10 pcs)                       | 10           | 1        |
| 7           |      | 80075        | Wire Cover (1000mm)                          | 1            | 2        |
| 8           |      | 60042        | Knob, Adjustment                             | 1            | 2        |
| 8           |      | 1452467      | Package, Knob, Adjustment                    | 10           | 1        |
| 9           |      | 1452468      | Locking Device with Clamp (Pair)             | 1            | 1        |
| 10          |      | 12545        | Seat Assembly with Hardware, Flip-up         | 1            | 1        |
| 11          |      | 13565-25-V01 | Wheel Assembly, Grey w/ Fork, SL II - Front  | 1            | 2        |
| 12          | B,E  | 12678        | Folding Hinge Assembly (Pair)                | 1            | 1        |
| 12          | C,D  | 12679        | Folding Hinge Assembly (Pair)                | 1            | 1        |
| 13          |      | 12609        | Wheel with Hardware, Grey, SLII - Front      | 1            | 2        |
| 14          |      | 70050-NLA    | NLA - Cap, Black Plastic - Front Fork        | 1            | 2        |
| 14          |      | 1452282      | Cap, Black, Plastic - Front Fork (20 pcs)    | 20           | 1        |
| 15          |      | 12656        | Lock, Folding                                | 1            | 1        |
| 16          |      | 1510376      | Kit, Folding Handle                          | 1            | 1        |
| 17          |      | 12620        | Brake Flap Assembly, DABSII                  | 2            | 1        |
| 18          |      | 72025        | Spring, Torsion Handle                       | 1            | 1        |
| 18          |      | 1529858      | Spring for Folding Handle (10 pcs)           | 10           | 1        |
| 19          |      | 12590-25     | Wheel Assembly with Fork, Grey, SL II - Rear | 1            | 2        |
| 20          | E    | 13628        | Tube, Handle, Aluminum                       | 1            | 2        |
| 21          |      | 1542524      | Package, Screw, Adjustment w /Nut (10 pcs)   | 10           | 1        |
|             | F    | 70311        | Tray, Food and Beverage                      | 1            | 1        |
|             | F    | 12530-15     | Basket, Standard / Low, max load 9 kg        | 1            | 1        |

NOTE: A - Includes Brake Handle, Grip, Link, Housing, Wire and Screws.  
 B - Includes Seat Stopper, Clamp, Washer, Spacer and Screws.  
 C - Includes Seat Stopper, Spacer and Screws.  
 D - Use with Models built before May 2002.  
 E - Use with Models built after December 2002.  
 F - Not Shown.

# Amigo Rollator





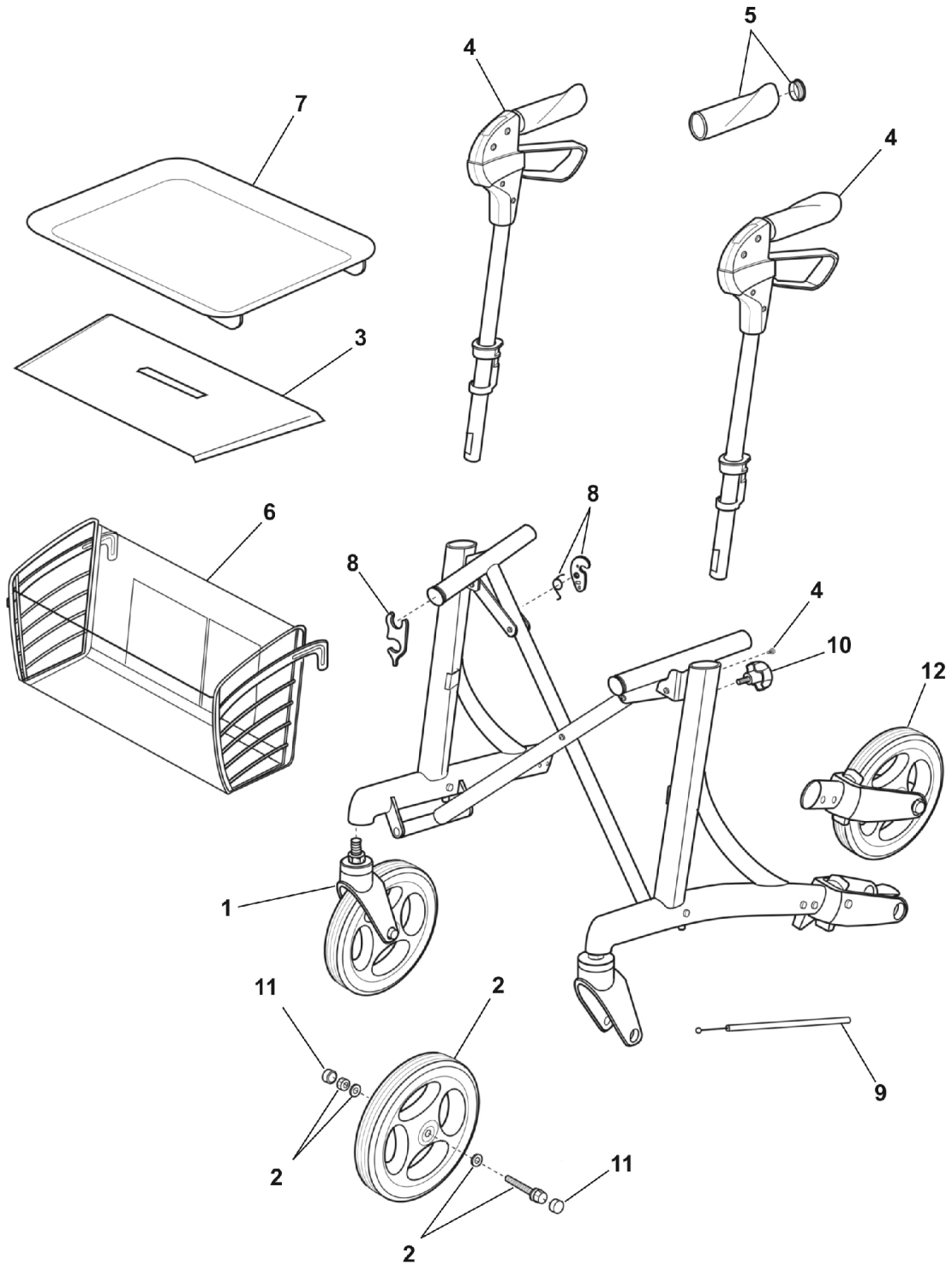
# Amigo Rollator

| Item Number | Note | Part Number | Description  | Quantity Per |          |
|-------------|------|-------------|--|--------------|----------|
|             |      |             |  | Package      | Assembly |
| 1           | A    | 13571       | Kit, Wheel with Fork Assembly SL200-Narrow - Front | 1            | 1        |
|             |      | 80079       | Wheel, Front                                       | 1            | 2        |
|             |      | 72210       | Sleeve   | 1            | 2        |
|             |      | 62007       | Washer   | 1            | 2        |
|             |      | 61016       | Locknut (M8)                                       | 1            | 2        |
|             |      | 60040       | Screw  | 1            | 2        |
|             |      | 13550       | Fork   | 1            | 2        |
|             |      | 70050-NLA   | NLA - Cap, Black Plastic - Front Fork              | 1            | 2        |
| 2           |      | 13573       | Wheel Assembly with Hardware, SL200-Narrow - Front | 1            | 2        |
|             |      | 12521       | Wheel, SL200-Narrow - Front                        | 1            | 2        |
| 3           |      | 70050-NLA   | NLA - Cap, Black Plastic - Front Fork              | 1            | 2        |
| 4           | B    | 13574       | Kit, Brake Sleeve                                  | 1            | 1        |
|             |      | 70308       | Sleeve, Brake                                      | 1            | 2        |
|             |      | 62066       | Block, Brake                                       | 1            | 2        |
|             |      | 60099       | Screw, Oval Head (M2.5 x .45 x 10mm)               | 1            | 2        |
| 5           | C    | 12533       | Kit, Wide Wheel Assembly with Hardware - Rear      | 1            | 1        |
|             |      | 80071       | Wheel, Wide - Rear                                 | 1            | 2        |
|             |      | 60041       | Screw (M8 x 80mm)                                  | 1            | 2        |
|             |      | 60148       | Screw, Stop (M8 x 80mm)                            | 1            | 2        |
|             |      | 61022       | Nut  | 1            | 2        |
|             |      | 62007       | Washer   | 1            | 2        |
|             |      | 63040       | Sleeve   | 1            | 2        |
|             |      | 70066       | Bushing  | 1            | 2        |
|             |      | 70093       | Bushing  | 1            | 2        |
| 6           |      | 12660       | Shoe, Brake  | 1            | 2        |
| 7           |      | 13040       | Kit, Handle DABS - Left                            | 1            | 1        |
| 7           |      | 13039       | Kit, Handle DABS - Right                           | 1            | 1        |
| 8           |      | 13464-L     | Brake Handle Assembly - Left                       | 1            | 1        |
| 8           |      | 13464-R     | Brake Handle Assembly - Right                      | 1            | 1        |
| 9           |      | 80078       | Wire (1115mm)                                      | 1            | 2        |
| 10          |      | 80077       | Wire Cover (1050mm)                                | 1            | 2        |
| 11          |      | 12509       | Grip Anatomic with Cover (Pair)                    | 2            | 1        |
| 12          |      | 12677       | Grip, Soft (220mm) (Pair)                          | 2            | 1        |
| 13          |      | 12545       | Seat Assembly with Hardware, Flip-up               | 1            | 1        |
| 14          |      | 12656       | Lock, Folding                                      | 1            | 1        |
|             |      | 70202       | Latch, Safety w/o Holder                           | 1            | 1        |
| 15          |      | 12615       | Latch, Safety, Seat                                | 1            | 1        |
| 16          |      | 12622       | Kit, Folding Handle                                | 1            | 1        |
| 17          |      | 12665       | Adjustment Knob and Screw (Pair)                   | 2            | 1        |
| 18          | D    | 12648       | Folding Hinge Assembly (Pair)                      | 2            | 1        |
|             |      | 70179       | Spacer, Tube                                       | 1            | 1        |
|             |      | 13337-16    | Stopper, Seat                                      | 2            | 2        |
|             |      | 60001       | Screw (M8 x 80mm)                                  | 2            | 2        |

# Amigo Rollator

| Item Number  | Note | Part Number | Description                          | Quantity Per |          |
|--|------|-------------|--------------------------------------|--------------|----------|
|  |      |             |                                      | Package      | Assembly |
| 19   |      | 60109       | Screw, Seat Support (M5 x .8 x 30mm) | 2            | 2        |
|  |      | 12647       | Rail, Folding with Hardware          | 1            | 1        |
|  |      | 82057       | Instruction Sheet                    | 1            | 1        |
| NOTE: A - Includes: Front Wheel, Sleeve, Washer, Fork, Screw, Nut and Cap.<br>B - Includes: Brake Sleeve, Brake Block and Screw.<br>C - Includes: Rear Wheel, Screw, Stop Screw, Nut, Washer, Sleeve and Bushings.<br>D - Includes: Seat Stopper, Spacer and Screws. |      |             |                                      |              |          |

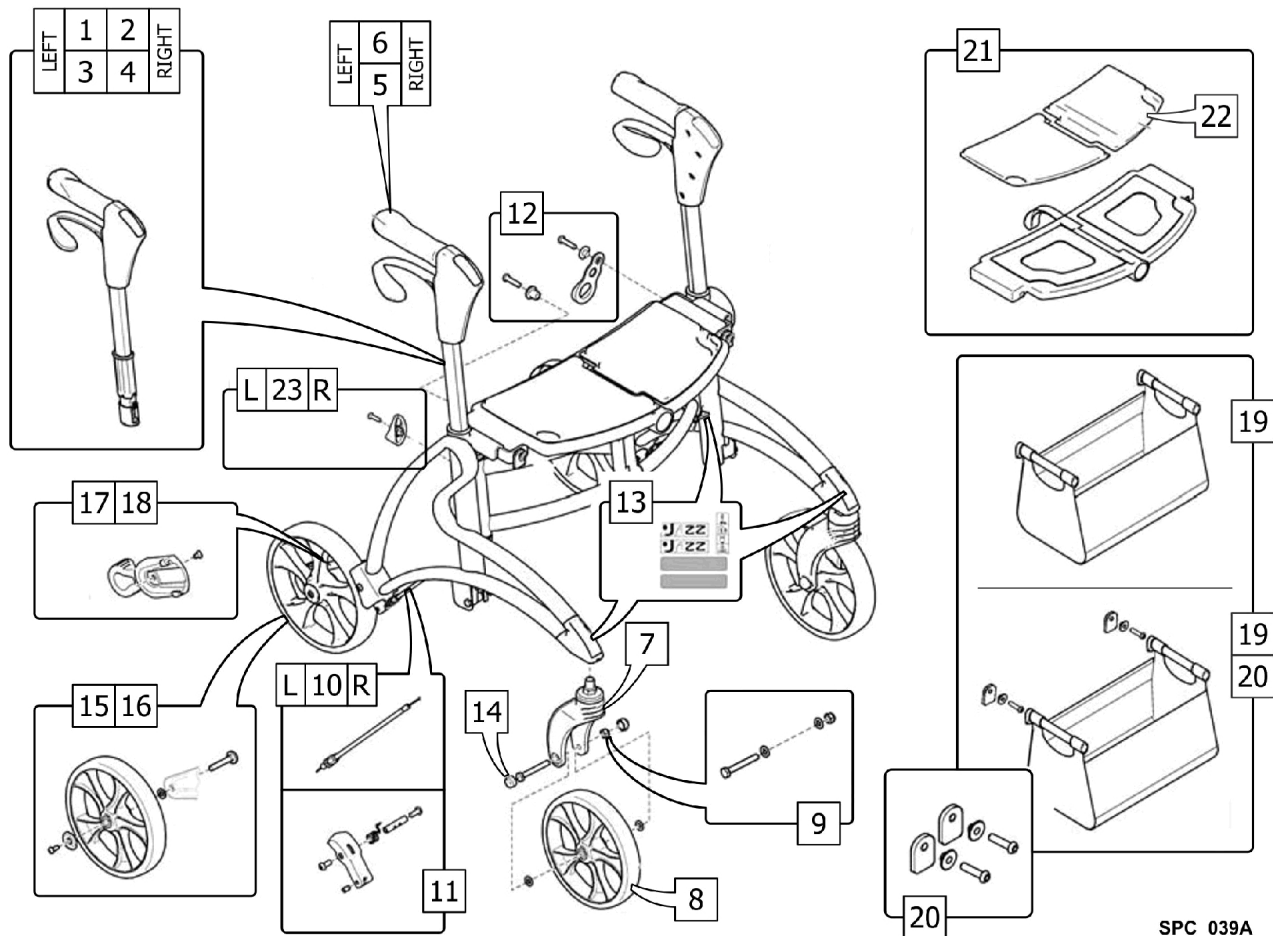
# Jazz Rollator - Service Parts (Before Serial No. 13CHX000681)



## Jazz Rollator - Service Parts (Before Serial No. 13CHX000681)

| Item Number | Note | Part Number | Description                               | Quantity Per |          |
|-------------|------|-------------|---|--------------|----------|
|             |      |             |   | Package      | Assembly |
| 1           |      | 1452473     | Front Fork Complete                       | 1            | 1        |
| 2           |      | 1452443     | Kit, Wheel                                | 1            | 1        |
| 3           |      | 1452485     | Seat, Jazz Rollator                       | 1            | 1        |
| 4           |      | 1452482     | Kit, Handle w/ Nut, Jazz 520 - Left       | 1            | 1        |
| 4           |      | 1452483     | Kit, Handle w/ Nut, Jazz 520 - Right      | 1            | 1        |
| 4           |      | 1513083     | Kit, Handle w/ Nut, Jazz 600 - Left       | 1            | 1        |
| 4           |      | 1513082     | Kit, Handle w/ Nut, Jazz 600 - Right      | 1            | 1        |
| 5           |      | 1452484     | Kit, Grip - Left/Right                    | 1            | 1        |
| 6           |      | 1452336     | Basket, Rollator                          | 1            | 1        |
| 7           |      | 1452301-NLA | NLA - Tray, Rollator                      | 1            | 1        |
| 8           |      | 1452481     | Kit, Rollator Folding                     | 1            | 1        |
| 9           |      | 1452479     | Wire and Cover                            | 1            | 1        |
| 10          |      | 1452480     | Knob, Rollator (Pair)                     | 1            | 1        |
| 11          |      | 1452282     | Cap, Black, Plastic - Front Fork (20 pcs) | 1            | 1        |
| 12          |      | 1513148     | Rear Fork, Complete - Left                | 1            | 1        |
| 12          |      | 1518066     | Rear Fork, Complete - Right               | 1            | 1        |

# Jazz Rollator (JAZZSTD/JAZZLOW) Service Parts (After S/N 13CHX000681)



SPC\_039A

## Jazz Rollator (JAZZSTD/JAZZLOW) Service Parts (After S/N 13CHX000681)

| Item Number  | Note | Part Number | Description                               | Quantity Per |          |
|--|------|-------------|---|--------------|----------|
|  |      |             |   | Package      | Assembly |
| 1  |      | 1543723     | Brake Handle Assembly (JAZZLOW) - Left    | 1            | 1        |
| 2  |      | 1543722     | Brake Handle Assembly (JAZZLOW) - Right   | 1            | 1        |
| 3  |      | 1543725     | Brake Handle Assembly (JAZZSTD) - Left    | 1            | 1        |
| 4  |      | 1543724     | Brake Handle Assembly (JAZZSTD) - Right   | 1            | 1        |
| 5  |      | 1563282     | Grip, Anatomic (Pair)                     | 1            | 1        |
| 6  |      | SP1581929   | Grip, Soft (130mm) (Pair)                 | 1            | 1        |
| 7  |      | 1553013     | Front Fork, Complete                      | 1            | 1        |
| 8  |      | 1551848     | Wheel                                     | 1            | 1        |
| 9  |      | 1563204     | Axle, Complete, Front Wheel               | 1            | 1        |
| 10   |      | 1563205     | Wire and Cover                            | 1            | 1        |
| 11   |      | 1563249     | Brake Flap Assembly                       | 1            | 1        |
| 12   |      | 1563206     | Folding, Lock w/ Hardware                 | 1            | 1        |
| 13   |      | 1563255     | Kit, Label                                | 1            | 1        |
| 14   |      | 1452282     | Cap, Black, Plastic - Front Fork (20 pcs) | 1            | 1        |
| 15   |      | 1563247     | Rear Wheel w/ Hardware                    | 1            | 1        |
| 16   | A    | SP1581927   | Rear Wheel, Complete                      | 1            | 1        |
| 17   | B    | SP1576558   | Curb Climber                              | 1            | 1        |
| 18   | A    | 1563251     | Curb Climber                              | 1            | 1        |
| 19   | C    | SP1582945   | Basket                                    | 1            | 1        |
| 20   |      | FA1580881   | Bracket, Rebuild, Complete                | 1            | 1        |
| 21   |      | 1542575     | Seat, Rollator, Jazz                      | 1            | 1        |
| 22   |      | 1563253     | Pads, Seat                                | 1            | 1        |
| 23   |      | 1563244     | Handle Height Adjustment w/ Hardware      | 1            | 1        |
| NOTE: A - Rollator manufactured after June, 2014.<br>B - Rollator manufactured before June, 2014.<br>C - Rollator manufactured after February, 2014. |      |             |   |              |          |

# Jazz Rollator (JAZZSTD/JAZZLOW) Accessories (After S/N 13CHX000681)



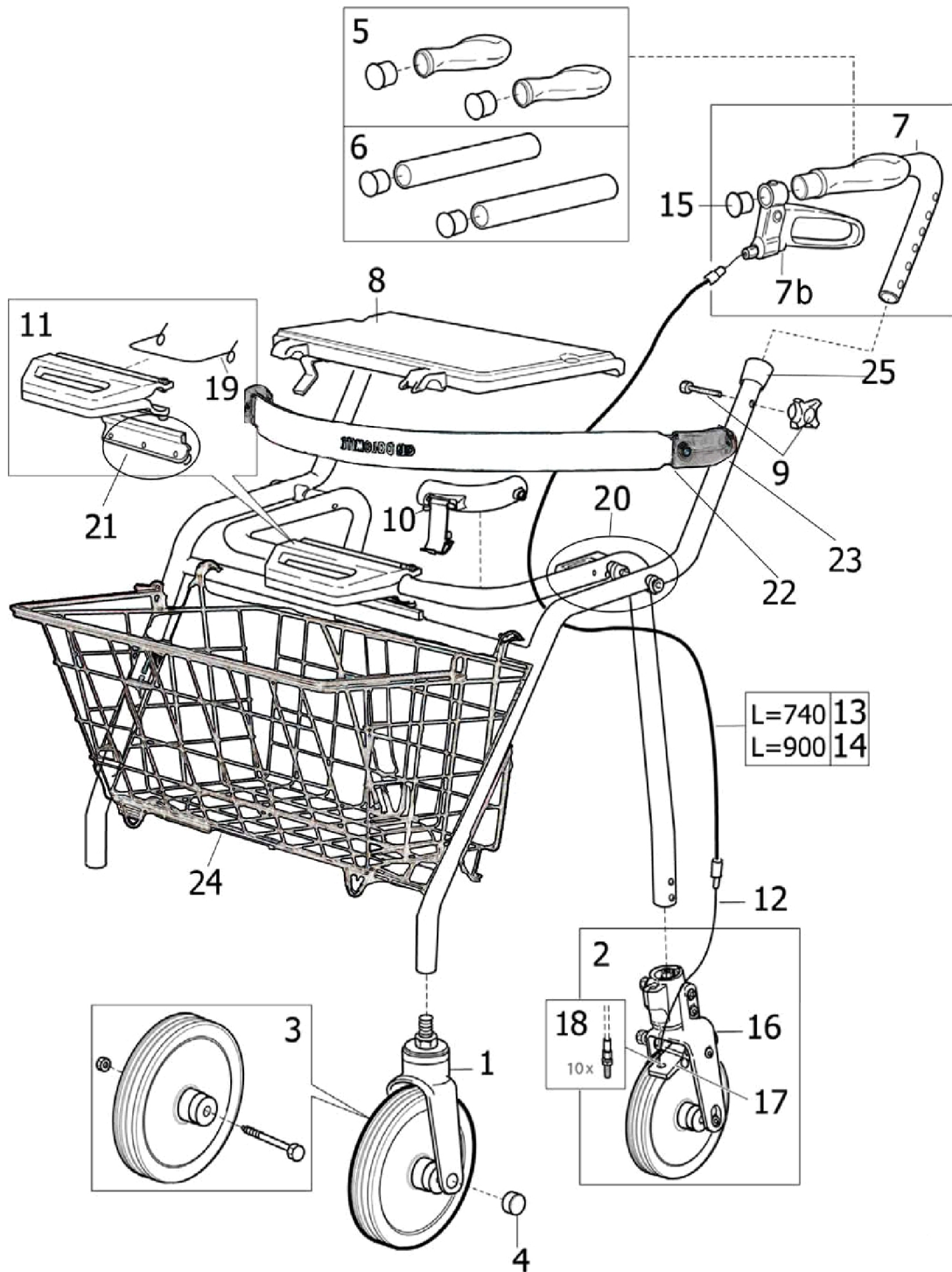
SPC\_040A

## Jazz Rollator (JAZZSTD/JAZZLOW) Accessories (After S/N 13CHX000681)

| Item Number | Note | Part Number | Description   | Quantity Per |          |
|-------------|------|-------------|---|--------------|----------|
|             |      |             |   | Package      | Assembly |
| 1           |      | SP1582961   | Basket, Grey  | 1            | 1        |
| 2           |      | SP1582962   | Basket, Red   | 1            | 1        |
| 3           |      | 1512912     | Cane Holder   | 1            | 1        |
| 4           |      | 1522062     | Backrest  | 1            | 1        |
| 5           |      | SP1551654   | Padding, Backrest                                     | 1            | 1        |
| 6           |      | 1546264     | Tray  | 1            | 1        |
| 7           |      | SP1571260   | Brake, Slow Down (Pair)                               | 1            | 1        |
| 8           |      | SP1580723   | Grip, Transverse, Complete (JAZZLOW) - Left           | 1            | 1        |
| 9           |      | SP1580725   | Grip, Transverse, Complete (JAZZLOW) - Right          | 1            | 1        |
| 10          |      | SP1580724   | Grip, Transverse, Complete (JAZZSTD) - Left           | 1            | 1        |
| 11          |      | SP1580726   | Grip, Transverse, Complete (JAZZSTD) - Right          | 1            | 1        |
| 12          |      | SP1580903   | Holder, Oxygen Tank, Complete                         | 1            | 1        |
| 13          |      | SP1582014   | Brake, One Hand, Complete (JAZZLOW) - Left            | 1            | 1        |
| 14          |      | SP1582046   | Brake, One Hand, Complete (JAZZLOW) - Right           | 1            | 1        |
| 15          |      | SP1582047   | Brake, One Hand, Complete (JAZZSTD) - Left            | 1            | 1        |
| 16          |      | SP1582048   | Brake, One Hand, Complete (JAZZSTD) - Right           | 1            | 1        |
| 17          |      | SP1581935   | Handle, HP - Left w/ One Hand Brake (JAZZLOW) - Right | 1            | 1        |
| 18          |      | SP1581965   | Handle, HP - Right w/ One Hand Brake (JAZZLOW) - Left | 1            | 1        |
| 19          |      | SP1581966   | Handle, HP - Left w/ One Hand Brake (JAZZSTD) - Right | 1            | 1        |
| 20          |      | SP1582013   | Handle, HP - Right w/ One Hand Brake (JAZZSTD) - Left | 1            | 1        |
| 21          |      | FA1580881   | Bracket, Rebuild, Complete                            | 1            | 1        |
| 22          |      | SP1580895   | Holder, IV, Complete                                  | 1            | 1        |



# Legacy Rollator



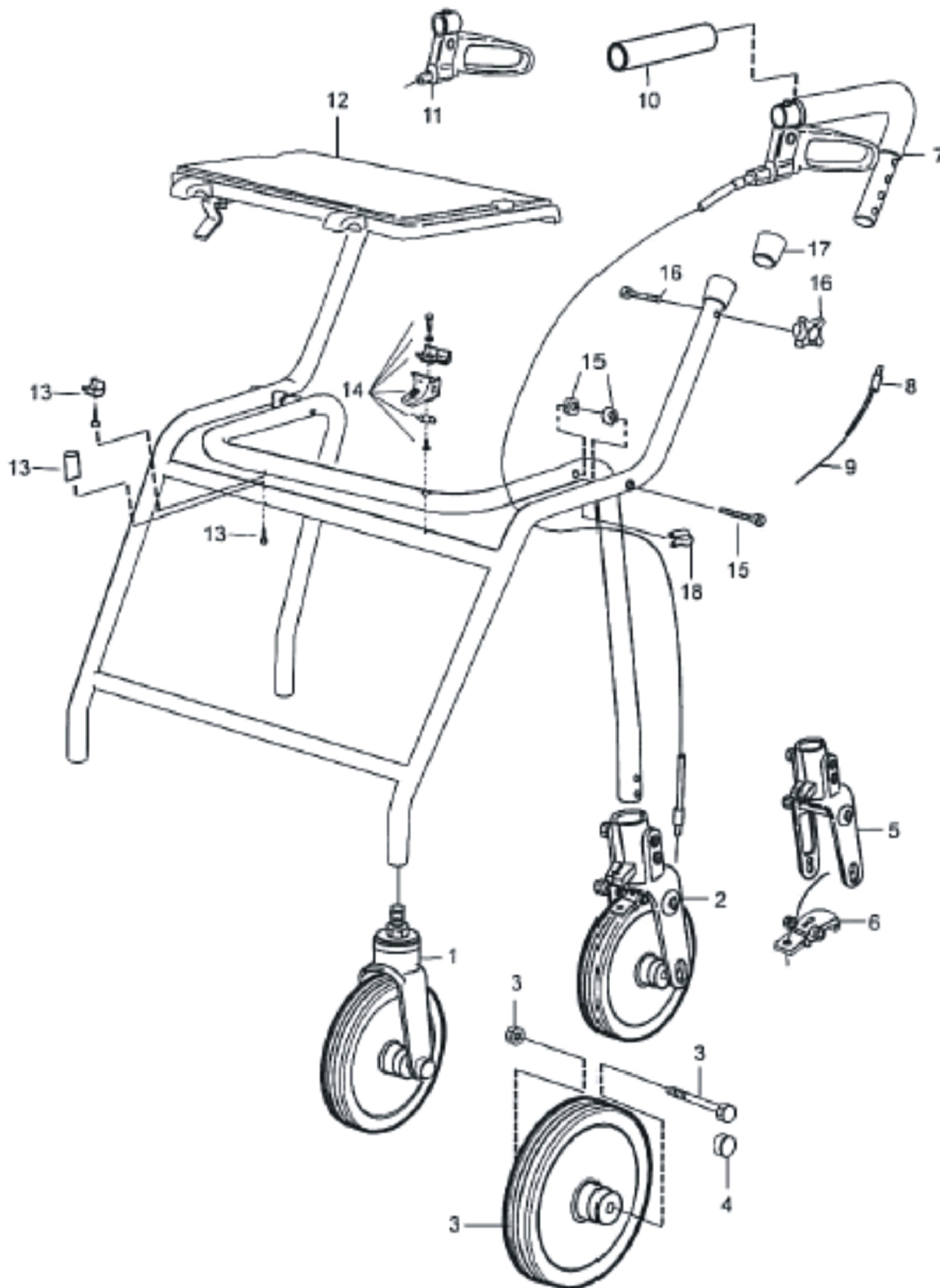
## Legacy Rollator

| Item Number | Note | Part Number  | Description                                  | Quantity Per |          |
|-------------|------|--------------|--|--------------|----------|
|             |      |              |  | Package      | Assembly |
| 1           | A    | 13565-V01    | Wheel Assembly w/ Fork, SL II - Front        | 1            | 2        |
| 1           | B    | 13565-25-V01 | Wheel Assembly, Grey w/ Fork, SL II - Front  | 1            | 2        |
| 2           | A    | 1534944      | Wheel Assembly, DABSII with Fork, Rear       | 1            | 2        |
| 2           | B    | 12594        | Wheel Assembly with Plastic Fork SLII - Rear | 1            | 2        |
| 3           |      | 12609        | Wheel with Hardware, Grey, SLII - Front      | 1            | 2        |
| 4           |      | 70050-NLA    | NLA - Cap, Black Plastic - Front Fork        | 1            | 2        |
| 4           |      | 1452282      | Cap, Black, Plastic - Front Fork (20 pcs)    | 20           | 1        |
| 5           |      | 12509        | Grip Anatomic with Cover (Pair)              | 1            | 1        |
| 6           |      | 12677        | Grip, Soft (220mm) (Pair)                    | 1            | 1        |
| 6           |      | 70057        | Grip, Soft                                   | 1            | 2        |
| 7a          |      | 13309        | Kit, Handle DABS - Left                      | 1            | 1        |
| 7a          |      | 13308        | Kit, Handle DABS - Right                     | 1            | 1        |
| 7b          |      | 13464-L      | Brake Handle Assembly - Left                 | 1            | 1        |
| 7b          |      | 13464-R      | Brake Handle Assembly - Right                | 1            | 1        |
| 8           |      | 12545        | Seat Assembly with Hardware, Flip-up         | 1            | 1        |
| 9           |      | 12665        | Adjustment Knob and Screw (Pair)             | 1            | 1        |
| 9           |      | 1452459      | Package, Adjustment Knob and Screw (10 pcs)  | 10           | 1        |
| 10          | C    | 12656        | Lock, Folding                                | 1            | 1        |
| 10          | C    | 1452288      | Package, Lock, Folding (10 pcs)              | 10           | 1        |
| 11          |      | 12622        | Kit, Folding Handle                          | 1            | 1        |
|             |      | 72025        | Spring, Torsion Handle                       | 1            | 1        |
| 11          | D    | 1510376      | Kit, Folding Handle                          | 1            | 1        |
| 12          |      | 80068        | Wire   | 1            | 2        |
| 12          |      | 1452283      | Package, Wire (10 pcs)                       | 10           | 1        |
| 13          |      | 1529908      | Package, Cover, Wire (740mm) (10 pcs)        | 10           | 1        |
| 14          |      | 1529879      | Package, Cover, Wire (900mm) (10 pcs)        | 10           | 1        |
| 15          |      | 1529860      | Package, End Cap (20 pcs)                    | 20           | 1        |
| 16          |      | 72091        | Shoe, Brake                                  | 1            | 2        |
| 17          | A    | 12620        | Brake Flap Assembly, DABSII                  | 1            | 2        |
| 17          | B    | 12617        | Brake Flap Assembly, DABS                    | 1            | 2        |
| 18          |      | 1542524      | Package, Screw, Adjustment w /Nut (10 pcs)   | 10           | 1        |
| 19          |      | 72025        | Spring, Torsion Handle                       | 1            | 1        |
| 19          |      | 1529858      | Spring for Folding Handle (10 pcs)           | 10           | 1        |
| 20          |      | 12627-NLA    | NLA - Folding Hinge Assembly (Pair)          | 1            | 1        |
|             |      | 70179        | Spacer, Tube                                 | 1            | 2        |
|             |      | 13337-16     | Stopper, Seat                                | 1            | 2        |
| 21          |      | 70125-25     | Rail   | 1            | 1        |
| 22          | E    | 12510        | Backrest with Screws and Attachment Pieces   | 1            | 1        |
| 23          |      | 70105        | Brackets, Straight                           | 1            | 2        |
| 24          |      | 12530-15     | Basket, Standard / Low, max load 9 kg        | 1            | 1        |
| 24          |      | 12538-15     | Basket, Super Low, max load 7 kg             | 1            | 1        |
| 25          |      | 70029        | Cap, End                                     | 1            | 2        |

# Legacy Rollator

NOTE: A - Used after March 3, 2010.  
B - Used before March 2, 2010.  
C - Used on Models built between 2000 & 2004.  
D - Includes part number 70125-25 and 12622.  
E - Includes (2) of part number 70105.

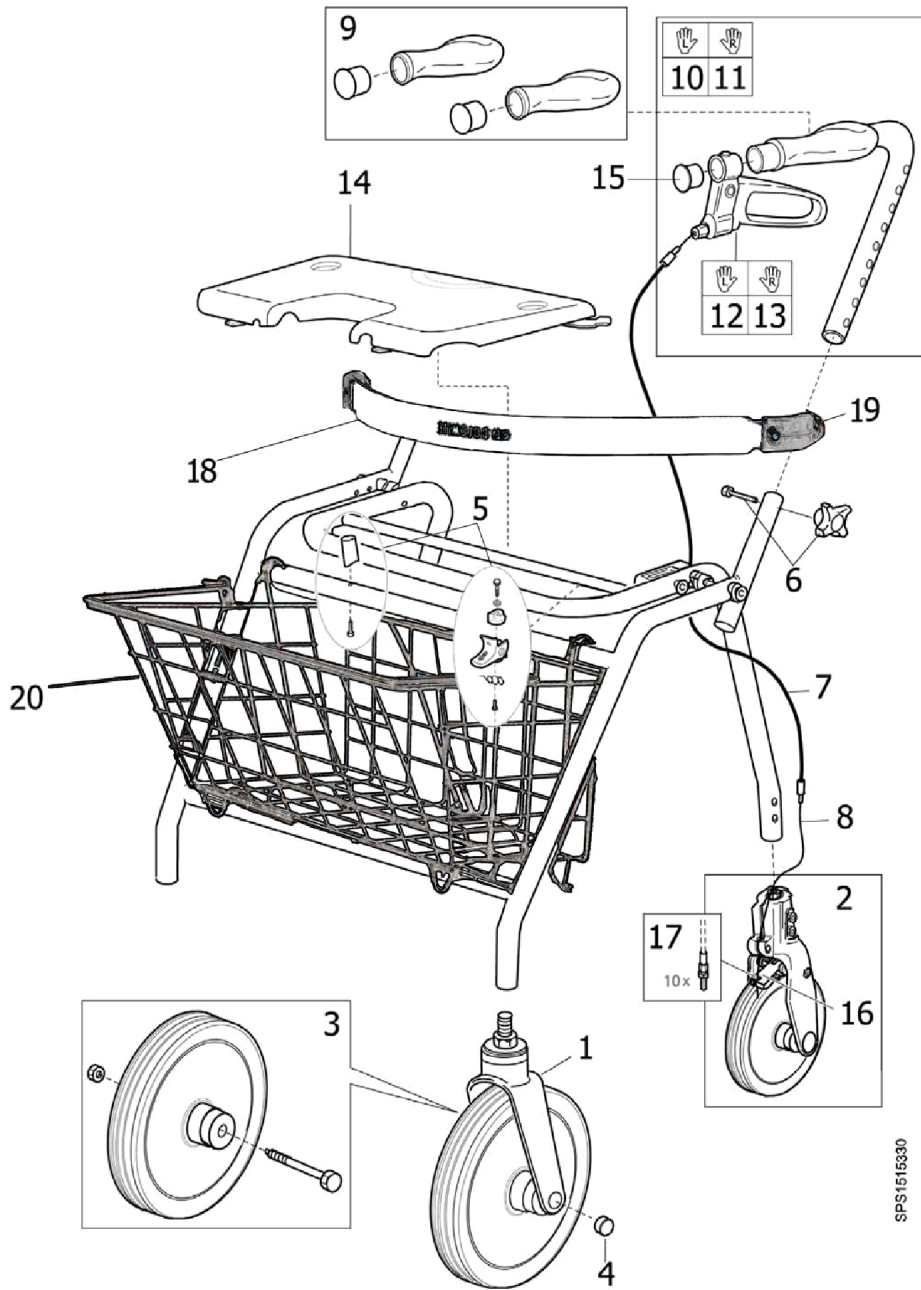
# Legacy Lite Deluxe Rollator



## Legacy Lite Deluxe Rollator

| Item Number | Note | Part Number | Description  | Quantity Per |          |
|-------------|------|-------------|--|--------------|----------|
|             |      |             |  | Package      | Assembly |
| 1           |      | 1451969     | SL III Wheel Complete in Front Fork (pcs)          | 1            | 2        |
| 2           |      | 1451970     | SL III Wheel Complete in Plastic Rear Fork (pcs)   | 1            | 2        |
| 3           |      | 1451971     | SL III Wheel Kit Complete (pcs)                    | 1            | 2        |
| 4           |      | 70050-NLA   | NLA - Cap, Black Plastic - Front Fork              | 1            | 2        |
| 5           |      | 13093       | Fork, Plastic, Rear                                | 1            | 2        |
| 6           |      | 12617       | Brake Flap Assembly, DABS                          | 1            | 2        |
| 7           |      | 13066       | Handle Kit, DABS - Left (Including Grip and Wire)  | 1            | 1        |
| 7           |      | 13067       | Handle Kit, DABS - Right (Including Grip and Wire) | 1            | 1        |
| 8           |      | 80016       | Cover, Wire - L=900mm (600, 520) (pcs)             | 1            | 2        |
|             |      | 80067       | Cover, Wire - L=740 mm (450) (pcs)                 | 1            | 2        |
| 9           |      | 80060       | Wire (1000mm)                                      | 1            | 2        |
| 10          |      | 12677       | Grip, Soft (220mm) (Pair)                          | 2            | 1        |
| 11          |      | 13464-L     | Brake Handle Assembly - Left                       | 1            | 1        |
|             |      | 13464-R     | Brake Handle Assembly - Right                      | 1            | 1        |
| 12          |      | 1451975     | Flip-Up Seat, Complete with Attachment Parts       | 1            | 1        |
| 13          |      | 1451976     | Spacer, Crossbar                                   | 1            | 1        |
| 14          |      | 1451973     | Kit, Folding                                       | 1            | 1        |
| 15          |      | 1451972     | Kit, Folding Hinge                                 | 2            | 1        |
| 16          |      | 12665       | Adjustment Knob and Screw (Pair)                   | 2            | 1        |
| 17          |      | 70029       | Cap, End   | 1            | 2        |
| 18          |      | 70043       | Cable Holder (pcs)                                 | 1            | 2        |
|             |      | 12510       | Backrest with Screws and Attachment Pieces         | 1            | 1        |
|             |      | 70105       | Brackets, Straight                                 | 1            | 2        |

# Maxi+ Rollator

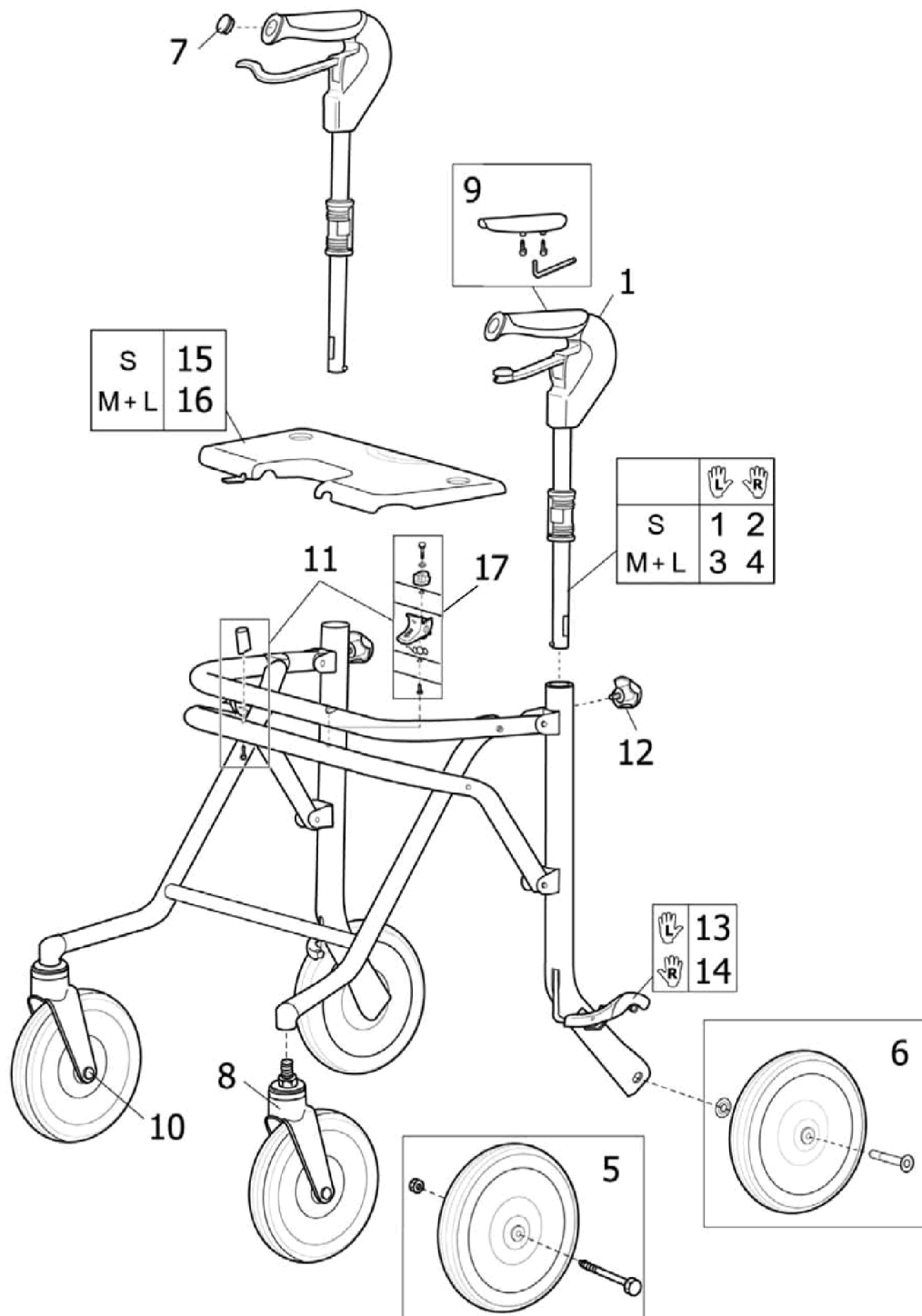


## Maxi+ Rollator

| Item Number | Note    | Part Number                                | Description   | Quantity Per |          |
|-------------|---------|--|---|--------------|----------|
|             |         |  |   | Package      | Assembly |
| 1           | A       | 13565-25-V01                               | Wheel Assembly, Grey w/ Fork, SL II - Front         | 1            | 2        |
| 2           |         | 12590-25                                   | Wheel Assembly with Fork, Grey, SL II - Rear        | 1            | 2        |
| 3           |         | 12609                                      | Wheel with Hardware, Grey, SLII - Front             | 1            | 2        |
| 4           |         | 70050-NLA                                  | NLA - Cap, Black Plastic - Front Fork               | 1            | 2        |
| 4           |         | 1452282                                    | Cap, Black, Plastic - Front Fork (20 pcs)           | 20           | 1        |
| 5           |         | 1452464                                    | Kit, Distance and Folding Lock (5 pcs)              | 5            | 1        |
| 6           |         | 1452458                                    | Package, Knob and Screw, Height Adjustment (10 pcs) | 10           | 1        |
| 7           |         | 80060                                      | Wire (1000mm)                                       | 1            | 2        |
| 8           |         | 80094                                      | Cover, Wire (820mm)                                 | 1            | 2        |
| 8           |         | 1531587                                    | Package, Cover, Wire (820mm) (10 pcs)               | 10           | 1        |
| 9           |         | 12509                                      | Grip Anatomic with Cover (Pair)                     | 1            | 1        |
| 10          |         | 13238-L                                    | Handle, Left Anatomic with Brake                    | 1            | 1        |
| 11          |         | 13238-R                                    | Handle, Right Anatomic with Brake                   | 1            | 1        |
| 12          |         | 13464-L                                    | Brake Handle Assembly - Left                        | 1            | 1        |
| 13          |         | 13464-R                                    | Brake Handle Assembly - Right                       | 1            | 1        |
| 14          |         | 12721-M                                    | Kit, Seat   | 1            | 1        |
| 15          |         | 1529860                                    | Package, End Cap (20 pcs)                           | 20           | 1        |
| 16          | 12620   | Brake Flap Assembly, DABSII                | 1   | 2            |          |
| 17          | 1542524 | Package, Screw, Adjustment w /Nut (10 pcs) | 10  | 1            |          |
| 18          | B       | 12510                                      | Backrest with Screws and Attachment Pieces          | 1            | 1        |
| 19          |         | 70105                                      | Brackets, Straight                                  | 1            | 2        |
| 20          |         | 12530-15                                   | Basket, Standard / Low, max load 9 kg               | 1            | 1        |

NOTE: A - Includes Fork, Wheel with Bearing, Washer, Nuts, Bolt and Black Cap.  
 B - Includes (2) of part number 70105.

# Melody Rollator



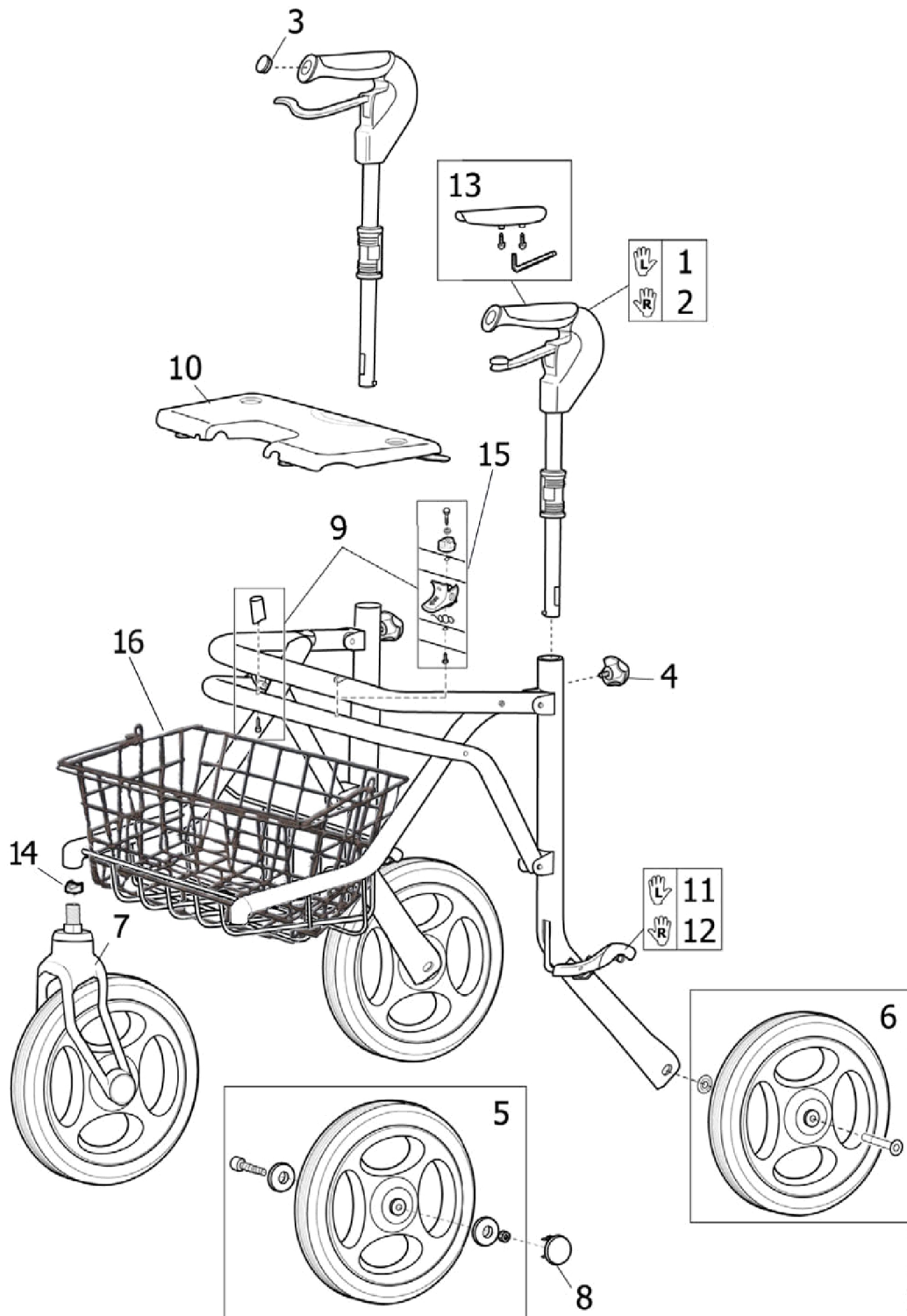


## Melody Rollator

| Item Number | Note | Part Number | Description                                       | Quantity Per |          |
|-------------|------|-------------|---|--------------|----------|
|             |      |             |   | Package      | Assembly |
| 1           | A    | 12703-L     | Brake Handle with Hardware, Small - Left          | 1            | 1        |
| 2           | A    | 12703-R     | Brake Handle with Hardware, Small - Right         | 1            | 1        |
| 3           | A    | 12702-L     | Brake Handle with Hardware, Medium, Large - Left  | 1            | 1        |
| 4           | A    | 12702-R     | Brake Handle with Hardware, Medium, Large - Right | 1            | 1        |
| 5           |      | 12609       | Wheel with Hardware, Grey, SLII - Front           | 1            | 2        |
| 6           |      | 12700       | Wheel with Hardware, SLII - Rear                  | 1            | 2        |
| 6           |      | 1510552     | Wheel with Hardware, SLII - Rear                  | 1            | 2        |
| 7           |      | 70073       | Plug Button, Handle                               | 1            | 2        |
| 8           |      | 13565-V01   | Wheel Assembly w/ Fork, SL II - Front             | 1            | 2        |
| 9           |      | 12706       | Grip Surface with Screw and Key                   | 1            | 2        |
| 9           |      | 1452460     | Package, Grip Surface with Screw and Key (10 pcs) | 10           | 1        |
| 10          |      | 70050-NLA   | NLA - Cap, Black Plastic - Front Fork             | 1            | 2        |
| 10          |      | 1452282     | Cap, Black, Plastic - Front Fork (20 pcs)         | 10           | 1        |
| 11          | B    | 1452464     | Kit, Distance and Folding Lock (5 pcs)            | 5            | 1        |
| 12          |      | 1452462     | Package, Adjustment Knob w/ Washer (10 pcs)       | 10           | 2        |
| 13          |      | 12705-L     | Brake Stopper with Attachments - Left             | 1            | 1        |
| 14          |      | 12705-R     | Brake Stopper with Attachments - Right            | 1            | 1        |
| 15          |      | 12713       | Kit, Seat (S)                                     | 1            | 1        |
| 16          |      | 12712-NLA   | NLA - Kit, Seat (L/M)                             | 1            | 1        |
| 17          |      | 12707       | Kit, Folding Lock                                 | 1            | 1        |
|             | C    | 12540       | Basket, Standard / Low                            | 1            | 1        |
|             | C    | 12542       | Basket, Super Low                                 | 1            | 1        |

NOTE: A - Includes Handle Assembly, Adjustment Knob, Nut and Washer.  
 B - Includes part number 12707.  
 C - Not shown.

# Soprano Rollator



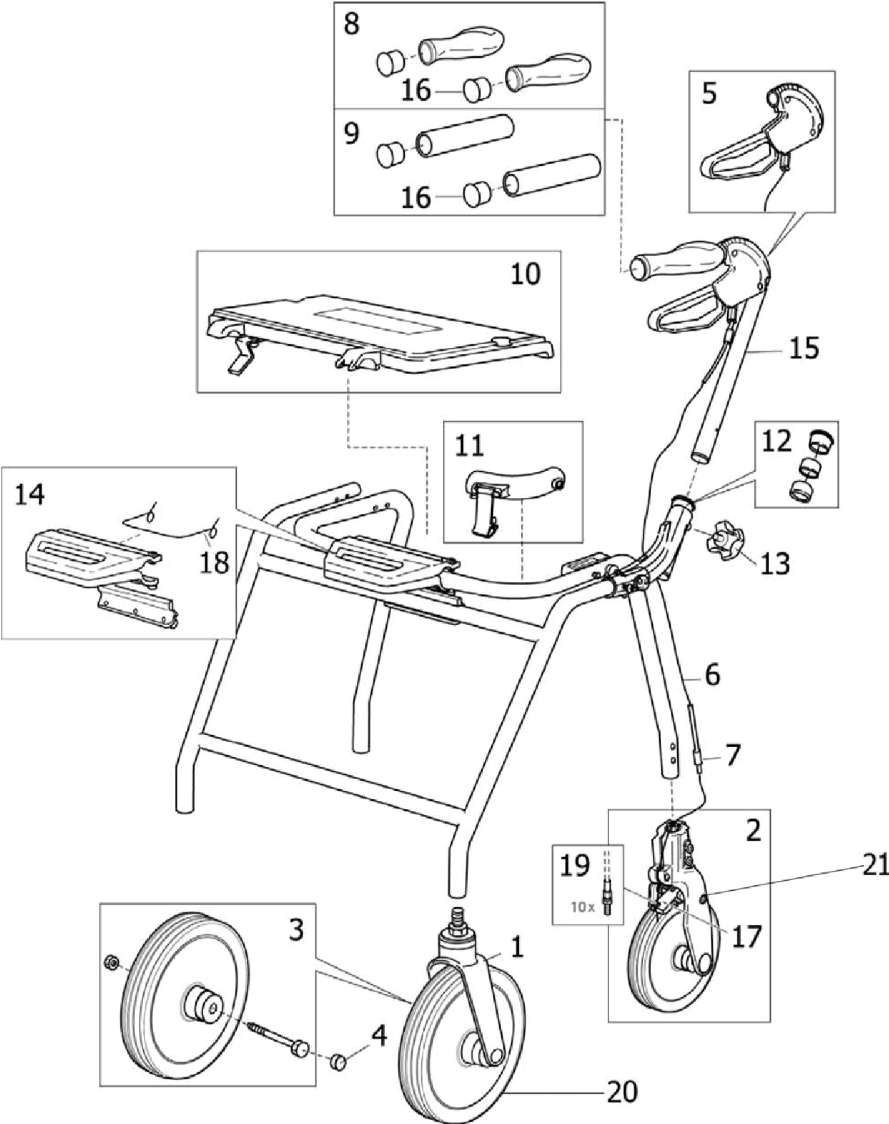
SPS1515262

# Soprano Rollator

| Item Number | Note | Part Number | Description                                       | Quantity Per |          |
|-------------|------|-------------|---|--------------|----------|
|             |      |             |   | Package      | Assembly |
| 1           | A    | 12702-R     | Brake Handle with Hardware, Medium, Large - Right | 1            | 1        |
| 2           | A    | 12702-L     | Brake Handle with Hardware, Medium, Large - Left  | 1            | 1        |
| 3           |      | 70073       | Plug Button, Handle                               | 1            | 2        |
| 4           |      | 1452462     | Package, Adjustment Knob w/ Washer (10 pcs)       | 10           | 2        |
| 5           |      | 12717       | Wheel Assembly with Hardware SLIV - Front (260mm) | 1            | 2        |
| 6           |      | 1510546     | Wheel Assembly with Hardware SLIV - Rear (260mm)  | 1            | 2        |
| 7           |      | 12719       | Wheel Assembly with Fork (260mm) - Front          | 1            | 2        |
| 8           |      | 1452463     | Package, Cover (20 pcs)                           | 20           | 1        |
| 9           | B    | 1452464     | Kit, Distance and Folding Lock (5 pcs)            | 5            | 1        |
| 10          |      | 12721       | Kit, Seat Assembly                                | 1            | 1        |
| 11          |      | 12705-R     | Brake Stopper with Attachments - Right            | 1            | 1        |
| 12          |      | 12705-L     | Brake Stopper with Attachments - Left             | 1            | 1        |
| 13          |      | 1452460     | Package, Grip Surface with Screw and Key (10 pcs) | 10           | 1        |
| 13          |      | 12706       | Grip Surface with Screw and Key                   | 1            | 2        |
| 14          |      | 70172       | Washer, Steel - Front Fork                        | 1            | 2        |
| 15          |      | 12707       | Kit, Folding Lock                                 | 1            | 1        |
| 16          |      | 12541D      | Basket  | 1            | 1        |

NOTE: A - Includes Brake Handle, Adjustment Knob and Washer.  
 B - Includes part number 12707.

# Symphony Rollator



# Symphony Rollator

| Item Number | Note | Part Number  | Description                                  | Quantity Per |          |
|-------------|------|--------------|--|--------------|----------|
|             |      |              |  | Package      | Assembly |
| 1           |      | 13565-25-V01 | Wheel Assembly, Grey w/ Fork, SL II - Front  | 1            | 2        |
|             |      | 70047        | Washer, Friction                             | 1            | 1        |
|             |      | 70137        | Bushing, Wheel                               | 1            | 2        |
|             |      | 62005DOL     | Bolt, Stem (1/4 x 3/16")                     | 1            | 1        |
| 2           | A,B  | 12590-25     | Wheel Assembly with Fork, Grey, SL II - Rear | 1            | 2        |
| 2           | D    | 12594        | Wheel Assembly with Plastic Fork SLII - Rear | 1            | 2        |
| 3           |      | 12609        | Wheel with Hardware, Grey, SLII - Front      | 1            | 2        |
| 4           |      | 70050-NLA    | NLA - Cap, Black Plastic - Front Fork        | 1            | 2        |
| 4           |      | 1452282      | Cap, Black, Plastic - Front Fork (20 pcs)    | 20           | 1        |
| 5           |      | 12619-L      | Kit, Brake Handle - Left                     | 1            | 1        |
| 5           |      | 12619-R      | Kit, Brake Handle - Right                    | 1            | 1        |
| 6           |      | 80068        | Wire   | 1            | 2        |
|             |      | 1452283      | Package, Wire (10 pcs)                       | 10           | 1        |
| 7           |      | 80090        | Wire Cover (630mm)                           | 1            | 2        |
|             |      | 1529918      | Package, Wire Cover (630MM)                  | 10           | 1        |
| 7           |      | 80089        | Wire Cover (550mm)                           | 1            | 2        |
|             |      | 1529917      | Package, Wire Cover (550MM)                  | 10           | 1        |
| 7           |      | 80088        | Wire Cover (500mm)                           | 1            | 2        |
|             |      | 1529910      | Package, Wire Cover (500MM)                  | 10           | 1        |
| 8           |      | 12519        | Grip, Anatomical (Pair)                      | 1            | 1        |
| 9           |      | 12593        | Grip, Soft (Pair)                            | 1            | 1        |
| 10          |      | 12545        | Seat Assembly with Hardware, Flip-up         | 1            | 1        |
| 11          |      | 12656        | Lock, Folding                                | 1            | 1        |
| 11          |      | 1452288      | Package, Lock, Folding (10 pcs)              | 10           | 1        |
| 12          |      | 12687        | Hinge Component Assembly (Pair)              | 2            | 1        |
| 13          |      | 70253        | Knob, Adjustable                             | 1            | 2        |
| 13          |      | 1452289      | Package, Knob, Adjustable                    | 10           | 1        |
| 14          |      | 1510376      | Kit, Folding Handle                          | 1            | 1        |
| 15          |      | 13509-L      | Kit, Handle DABSII - Left                    | 1            | 1        |
| 15          |      | 13509-R      | Kit, Handle DABSII - Right                   | 1            | 1        |
| 16          |      | 1529859      | End Cap (20 pcs)                             | 20           | 1        |
| 17          | B,C  | 12620        | Brake Flap Assembly, DABSII                  | 1            | 2        |
| 17          | D    | 12617        | Brake Flap Assembly, DABS                    | 1            | 2        |
| 18          |      | 72025        | Spring, Torsion Handle                       | 1            | 1        |
| 18          |      | 1529858      | Spring for Folding Handle (10 pcs)           | 10           | 1        |
| 19          |      | 1542524      | Package, Screw, Adjustment w /Nut (10 pcs)   | 10           | 1        |
| 20          |      | 13511-NLA    | NLA - Wheel Complete - Front                 | 1            | 2        |
| 21          |      | 13093        | Fork, Plastic, Rear                          | 1            | 2        |
|             | E    | 12530-15     | Basket, Standard / Low, max load 9 kg        | 1            | 1        |
|             | E    | 12538-15     | Basket, Super Low, max load 7 kg             | 1            | 1        |

NOTE: A - Includes part number 13093, Brake Handle, Adjustment Knob and Washer.  
 B - Used after March 3, 2010.  
 C - Includes part number 12707.  
 D - Used before February 3, 2010.  
 E - Not Shown.

Invacare Corporation

[www.invacare.ca](http://www.invacare.ca)



**Yes, you can.**

570 Matheson Blvd E;8  
Mississauga, Ontario,  
L4Z 4G4 Canada  
800-668-5324

Technical Support  
8006685324 x2655  
Customer Service  
800-668-5324

Literature  
800-668-5324  
or [www.invacare.ca](http://www.invacare.ca)

© 2022 Invacare Corporation. All rights reserved. Republication, duplication or modification in whole or in part is prohibited without prior written permission from Invacare. Trademarks are identified by ™ and ©. All trademarks are owned by or licensed to Invacare Corporation or its subsidiaries unless otherwise noted. (Revised 04/20/22)

Form No. 06-103C