

**ICC - Bed IH820DLX, IH820-3MDLX,
SC900DLX**



Yes, you can.

Parts Catalog Usage Guide

The information contained in this document is subject to change without notice. This catalog contains service parts for Form No. 05-019. If you have any questions regarding this catalog, please contact one of our Customer Service Representatives.

**For Customer Service and Technical Support, Call:
1-800-668-2337**

**For Literature Requests, Call:
1-800-668-2337 or go to our website
www.invacare.com**

SYMBOL DEFINITION

Throughout this catalog you will notice letters to draw your attention to specific footnotes which are located at the bottom of the page or below specified charts.

Examples:

A,B,C etc. = Special Comments
NOTE: = General information pertaining to that specific page
NLA = No Longer Available

HARDWARE MEASUREMENTS

The measurements for the hardware will be listed as follows:

Screws, Bolts Diameter X Thread Count/Pitch X Length
Washers Inside Diameter X Outside Diameter X Thickness
Spacers Inside Diameter X Outside Diameter X Length

For your convenience, we have supplied an area for you to list your Invacare Representatives.

Name	Phone Numbers

© 2022 Invacare Corporation. All rights reserved. Republication, duplication or modification in whole or in part is prohibited without prior written permission from Invacare. Trademarks are identified by ™ and ®. All trademarks are owned by or licensed to Invacare Corporation or its subsidiaries unless otherwise noted.

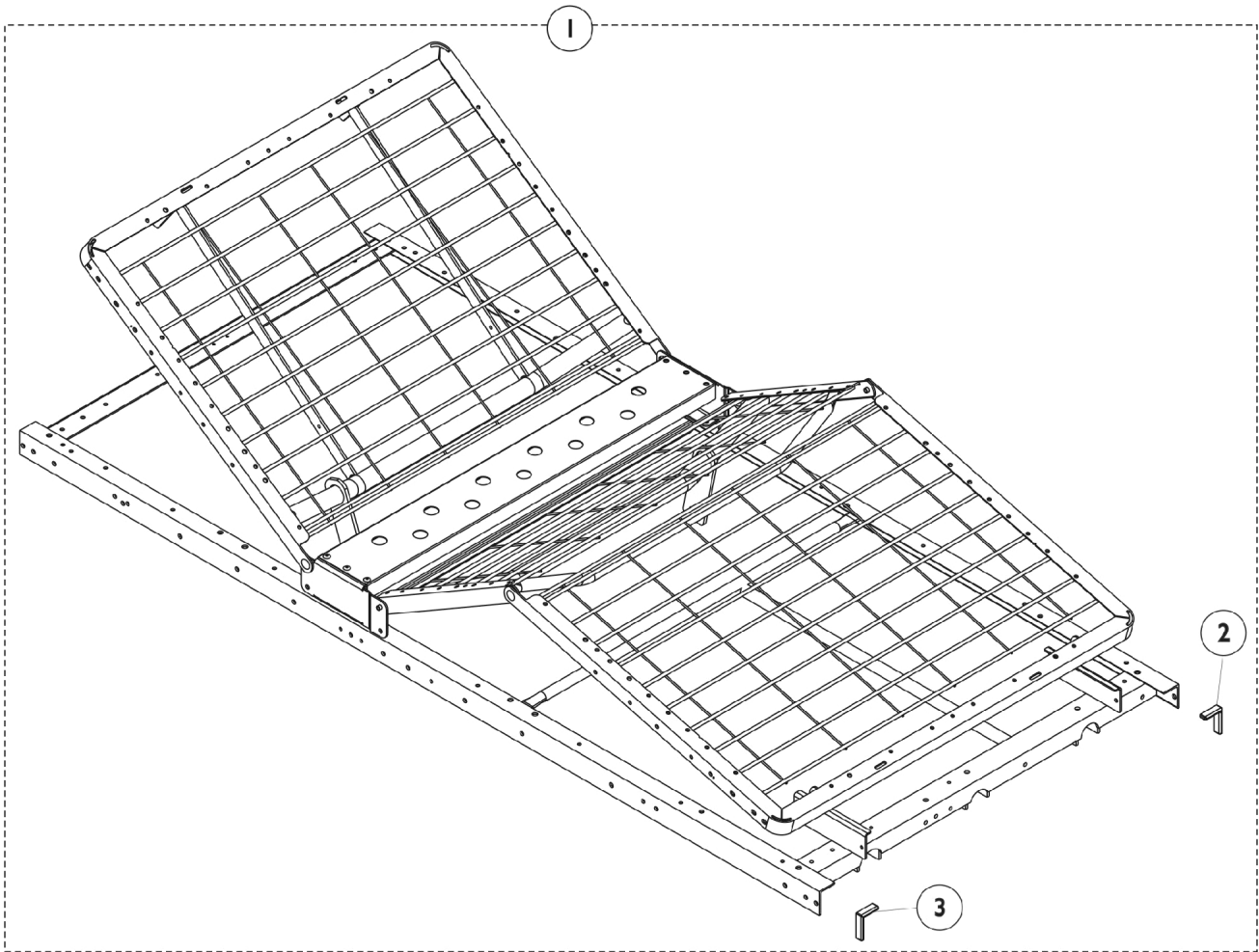
TABLE of CONTENTS

Description	Page Number
Bed Extender and Mattress Parts	33
Bed Rails - Assist	30
Bed Rails - IH5748A	16
Bed Rails - IH6801A	18
Bed Rails - IH6803A	26
Bed Rails - IH6808A	20
Bed Rails - IH6815A	22
Bed Rails - IH6816A	24
Bed Rails - IHRAILTS-DLX ThinkSoft® Positioning Device	28
Carriage Assembly - 820DLX & 820-3MDLX	8
Carriage Assembly - SC900DLX	10
Caster Parts	35
Corner Bracket Kit	37
Frame - Pan Deck - 820DLX, 820-3MDLX & SC900DLX	6
Frame - Wire (Grid) Deck - 820DLX, 820-3MDLX & SC900DLX	4
Manual Pull Tube & Crank Handle - 820DLX	12
Miscellaneous Accessories	32
Motors and Components, Full Electric - 820-3MDLX & SC900DLX	14
Packaging, Literature and Decals	3

Packaging, Literature and Decals

Part Number	Description
1125016	Sleeve, Carton
1125021	Carton, Cap
1125017	Insert, Carton
1125339	Carton (11 x 11 x 14")
1124031	Kit, Mattress Keeper Includes: 4 ea. Mattress Keepers, 8 ea. Nuts, 8 ea. Screws, and 1 ea. Poly Bag
1142004	Packaging, Carton Assembly 820DLX Includes: 1 ea. Carton Sleeve, 2 ea. Carton Caps, 2 ea. Carton Inserts, 1 ea. Owner's Manual, 1 ea. Side Rail Sheet, 1 ea. Carton, 1 ea. Corner Bracket Kit, and 1 ea. Mattress Keeper Kit
1130183	Label, Entrapment Warning
1142032	Paint, Touch-Up Spray Can, Taupe
1161900	Paint, Touch Up, Spray Can, White
1134871	Owner's Manual, ICCG Bed 820DLX & SC900DLX

Frame, Wire (Grid) Deck 820DLX, 820-3MDLX & SC900DLX

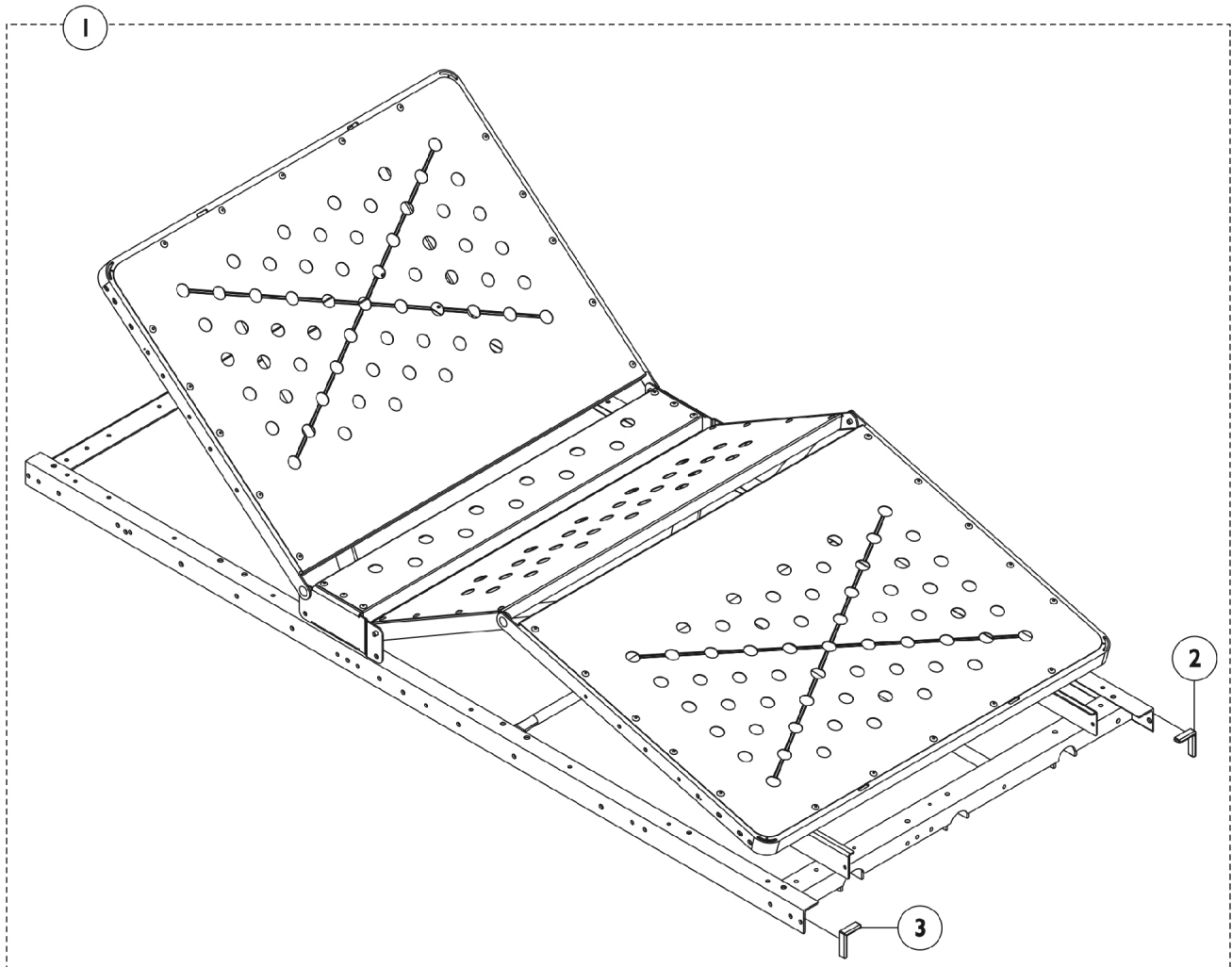


Frame, Wire (Grid) Deck 820DLX, 820-3MDLX & SC900DLX

Item Number	Note	Part Number	Description	Quantity Per	
				Package	Assembly
1	A	1137371	Frame and Wire Deck w/ Seat Pan	1	1
2		1125015	Cap, Angle - Right (2 x 1-1/2 x 1/8")	1	1
3		1125002	Cap, Angle - Left (2 x 1-1/2 x 1/8")	1	1

NOTE: A - Includes: Items 2-3

Frame, Pan Deck - 820DLX, 820-3MDLX & SC900DLX

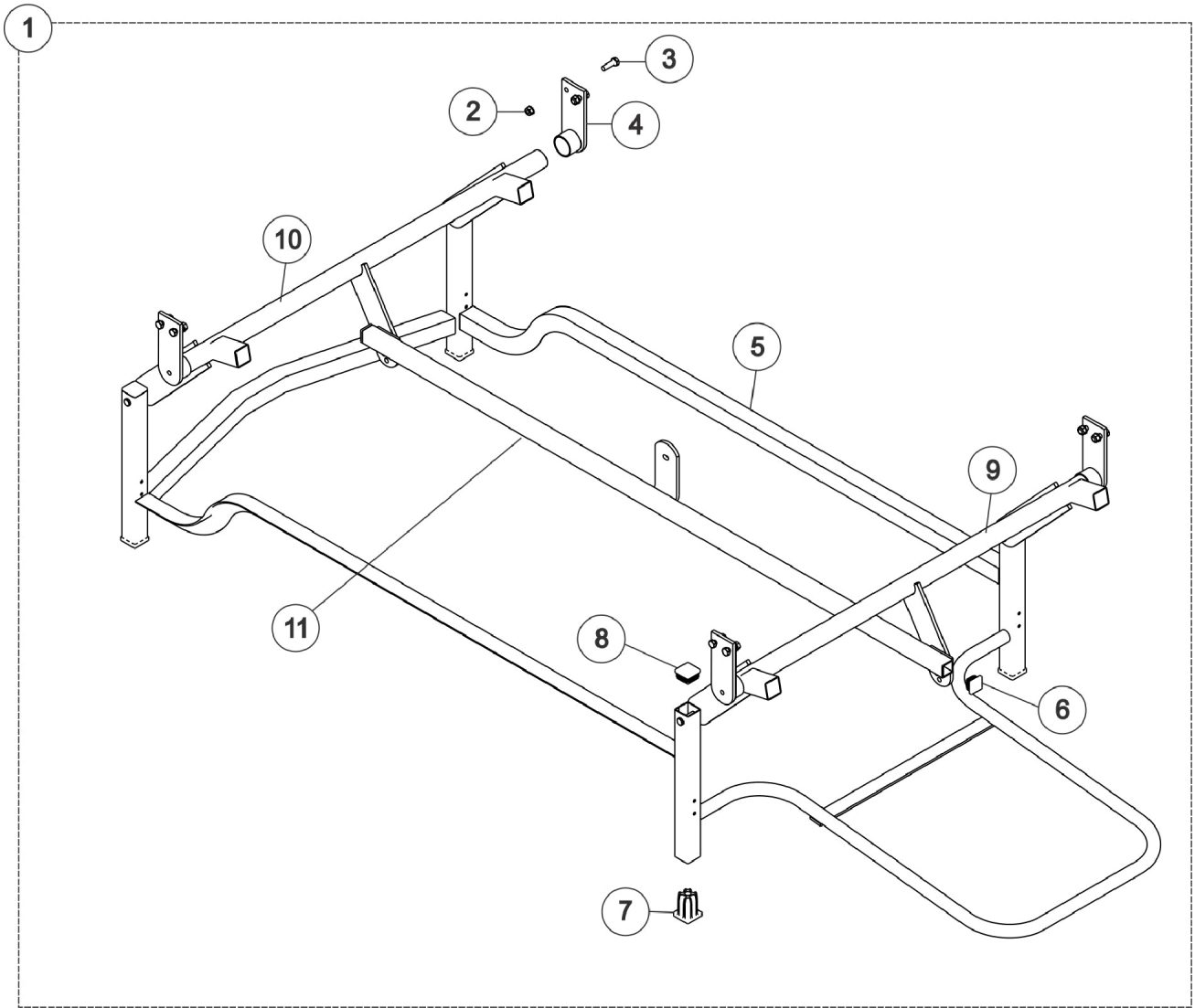


Frame, Pan Deck - 820DLX, 820-3MDLX & SC900DLX

Item Number	Note	Part Number	Description	Quantity Per	
				Package	Assembly
1	A	1140805	Frame and Pan Deck Assembly	1	1
2		1125015	Cap, Angle - Right (2 x 1-1/2 x 1/8")	1	1
3		1125002	Cap, Angle - Left (2 x 1-1/2 x 1/8")	1	1

NOTE: A - Includes: Items 2-3.

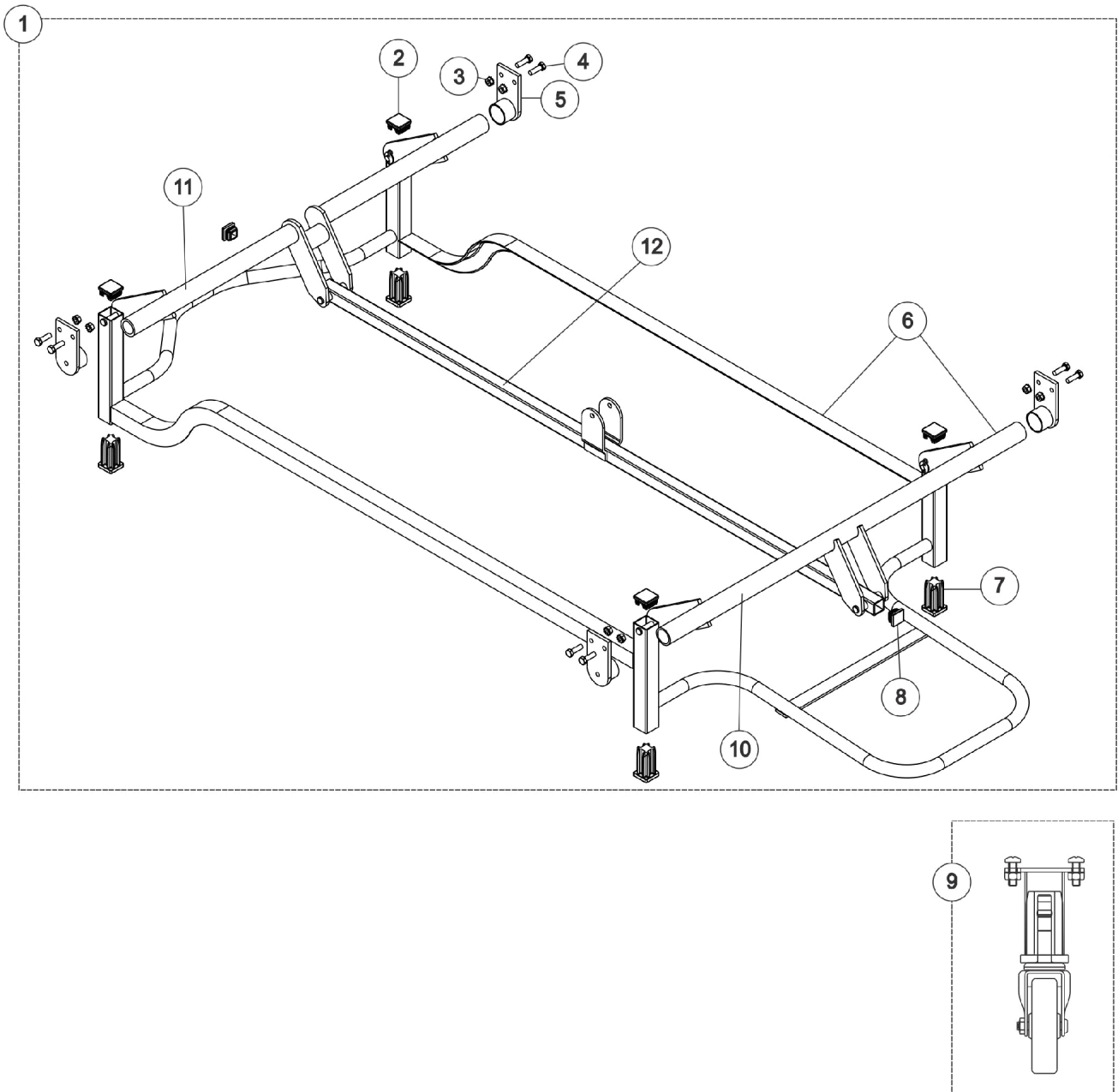
Carriage Assembly - 820DLX & 820-3MDLX



Carriage Assembly - 820DLX & 820-3MDLX

Item Number	Note	Part Number	Description	Quantity Per	
				Package	Assembly
1	A	1140821	Carriage, Floor Lock Reverse Assembly	1	1
2		000037	NLA - Nut, Keps (5/16-18)	1	8
3		001758	Screw, Hex Head (5/16-18 x 1")	1	8
4		025187	Support, Lift Crank	1	1
5		1140820	Frame, Carriage Lock Floor Reverse	1	1
6		020717	Glide, Cap	1	2
7		1131077	Foot, Rubber	1	4
8		1012756	Plug Button, Black (1-1/4")	1	4
	B,C	009077	Kit, Caster	1	1
	B,D	51000M083	Socket, Caster	1	4
	B,D	1123551	Caster Assembly, Swivel w/ Brake (3")	1	2
	B,D	1123549	Caster Assembly, Swivel w/o Brake (3")	1	2
9		1124051	Head End Lift Crank	1	1
10		1124052	Foot End Crank	1	1
11		1124032	Lift Bar	1	1
NOTE: A - Includes: Items 1-8. B - Not Shown C - Includes: 4 Sockets, 2 Locking Casters and 2 Non-Locking Casters. D - Included in part # 009077.					

Carriage Assembly - SC900DLX

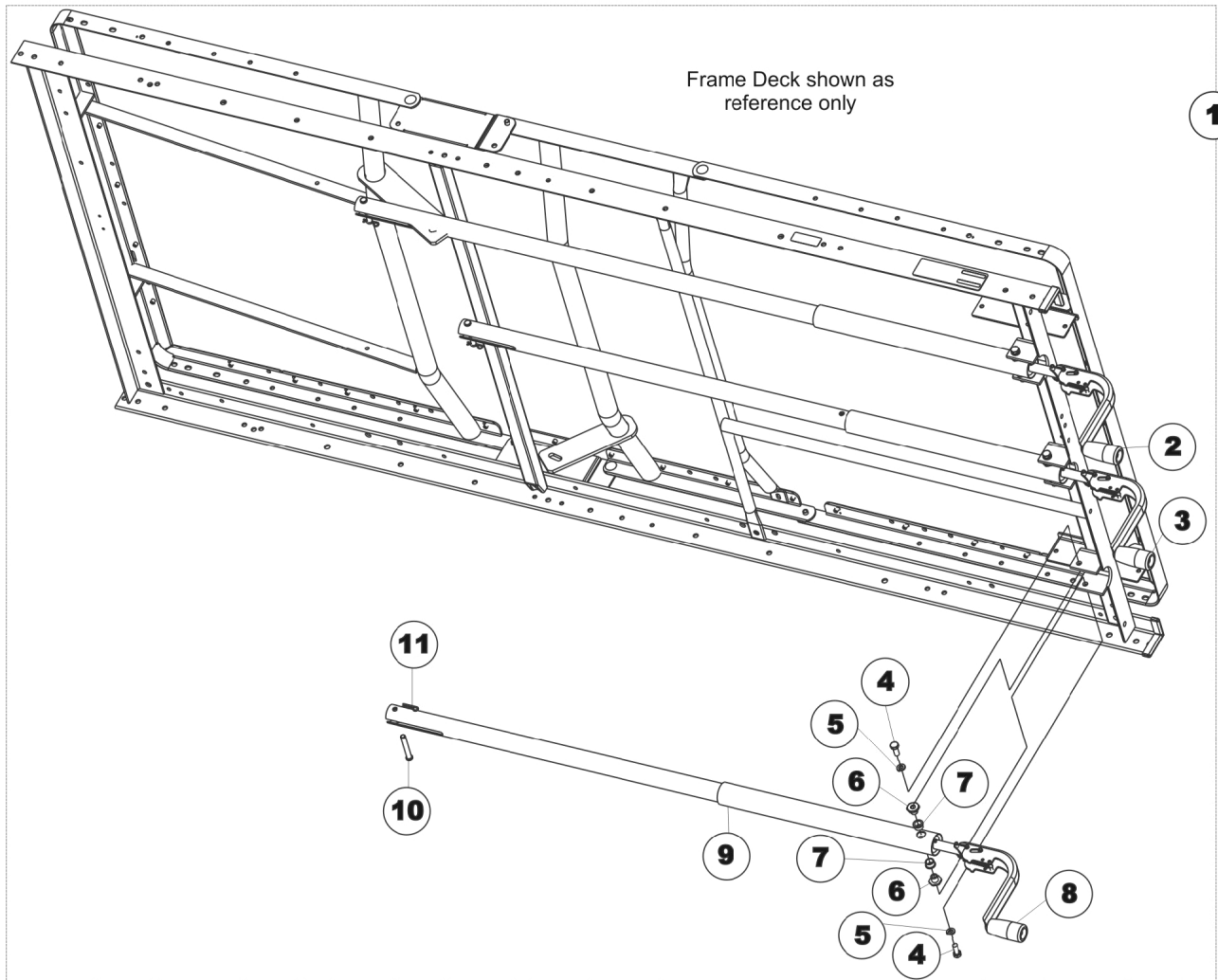


Carriage Assembly - SC900DLX

Item Number	Note	Part Number	Description	Quantity Per	
				Package	Assembly
1	A	1137378	Carriage Assembly - SC900DLX	1	1
2		027047	Plug Button with Hole (1-1/4" Square)	1	4
3		000037	NLA - Nut, Keps (5/16-18)	1	8
4		001758	Screw, Hex Head (5/16-18 x 1")	1	8
5		1133050	Support, Lift Crank	1	2
6		1137377	Frame, Carriage - SC900DLX	1	1
7		1131077	Foot, Rubber	1	4
8		020717	Glide, Cap	1	2
9	B	027027	Kit, Caster 3" Swivel w/ Bracket	1	1
	C	000050	Nut, Keps (1/4-20)	1	8
	C	51000M789	Screw, Phillips Pan Head (1/4-20 x 3/4")	1	8
	C	027025	Bracket, Caster	1	4
	C	51000M083	Socket, Caster	1	4
	C	1123551	Caster Assembly, Swivel w/ Brake (3")	1	2
	C	1123549	Caster Assembly, Swivel w/o Brake (3")	1	2
10		027016	Crank, Lift - Head End	1	1
11		026999	Crank, Lift - Foot End	1	1
12		027001	Bar, Lift	1	1

NOTE: A - Includes: Items 2-8.
 B - Includes: 4 Brackets, 4 Sockets, 8 Screws, 8 Nuts, 2 Locking Casters and 2 Non-Locking Casters. See page titled "Caster Parts" for additional details"
 C - Included in part number 027027 - Caster Kit

Manual Pull Tube & Crank Handle - 820DLX

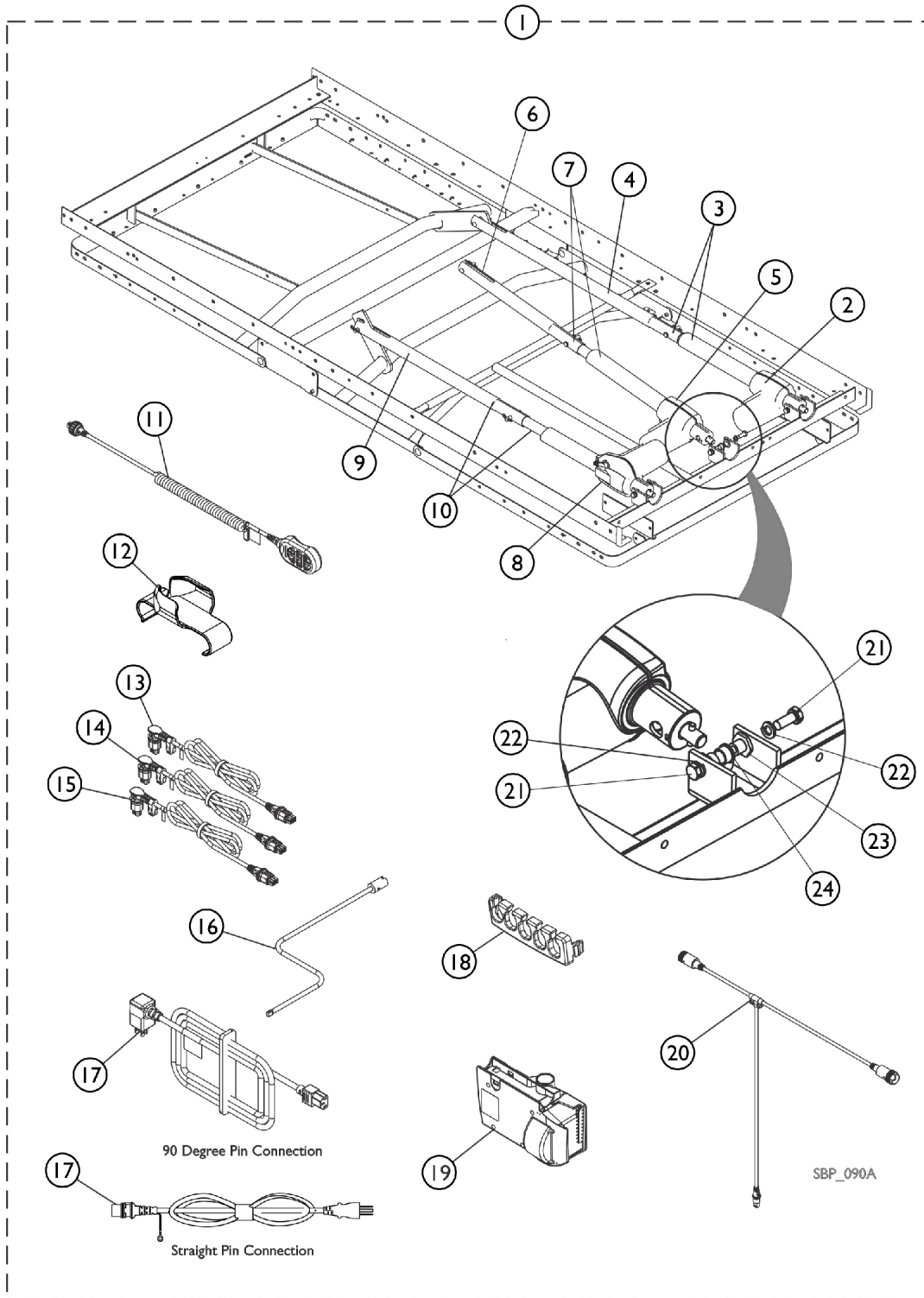


Manual Pull Tube & Crank Handle - 820DLX

Item Number	Note	Part Number	Description	Quantity Per	
				Package	Assembly
1	A	1140811-NLA	NLA - Kit, Crank and Pull Tubes (Includes: Foot, Head, and Hi-Lo)	1	1
2		1141407-NLA	NLA - Manual, Head Crank and Pull Tube Assembly	1	1
3		1161917-NLA	NLA - Manual, Hi-Lo Crank and Pull Tube Assembly	1	1
4		001741	Screw, Hex Head (5/16-18 x 3/4")	1	6
5		001008	Washer, Split Lock (5/16")	1	6
6		001443	Bushing, Shoulder - Pivot	1	6
7		001405	Bushing, Flanged, Nylon	1	6
8		1141406	Manual, Foot Crank and Pull Tube Assembly	1	1
9		51000M191	Cover, Pull Tube (Head/Foot)	1	3
10		005952	Pin, Clevis (5/16 x 2-1/8")	1	3
11		51000M743	Pin, Hitch (3/8 x 1-3/16")	1	3

NOTE: A - Includes: Items 1-11.

Motors and Components, Full Electric - 820-3MDLX & SC900DLX

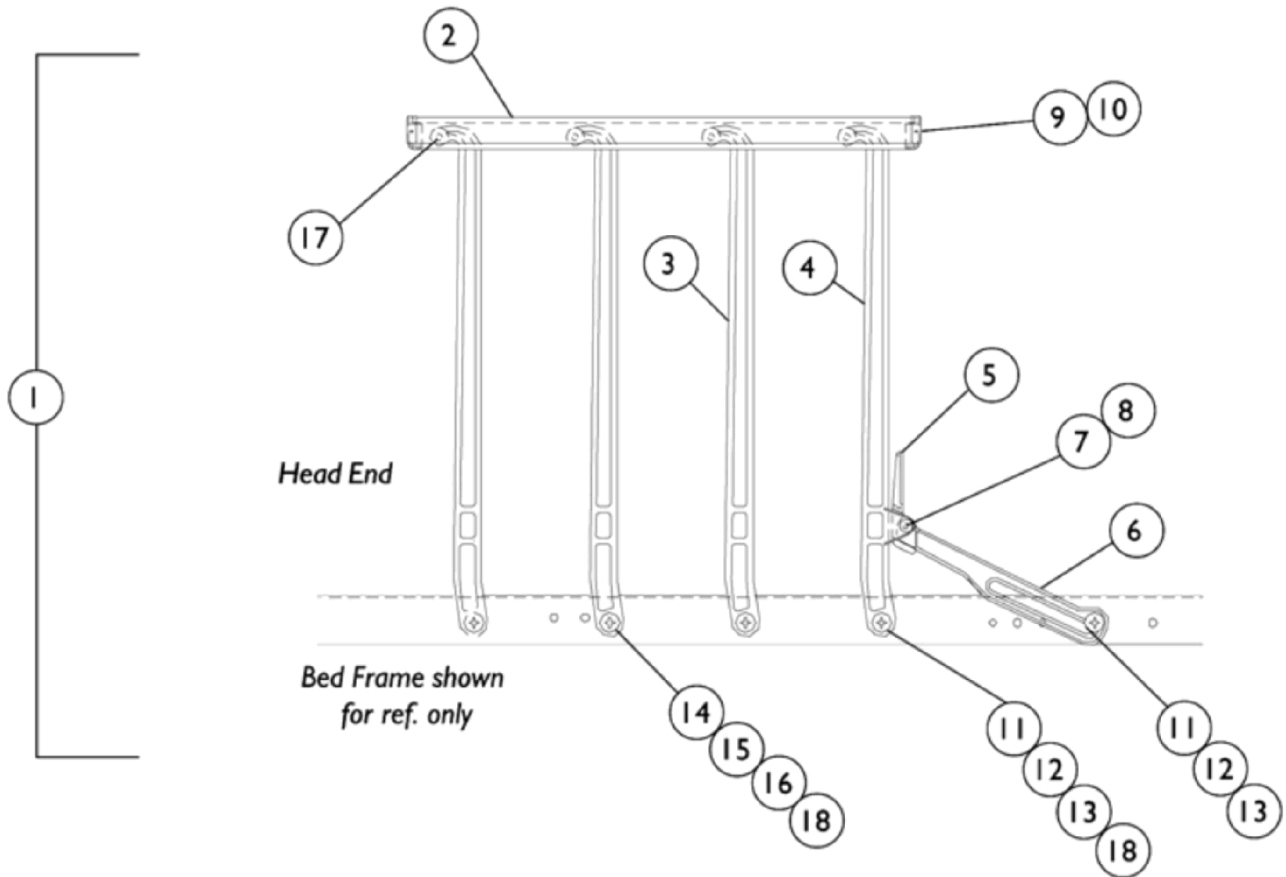


Motors and Components, Full Electric - 820-3MDLX & SC900DLX

Item Number	Note	Part Number	Description	Quantity Per	
				Package	Assembly
1	A	1140814	Motor & Component Assembly - 820-3MDLX	1	1
1	B	1140803	Motor & Component Assembly - SC900DLX	1	1
2	C	1115291-NLA	NLA - Head Actuator - (Linak #LA27-0006-04)	1	1
3		1137384	Motor/Gear Assembly, Head	1	1
4		1137343	Head Actuator Pull Tube	1	1
5		1137338	HiLo Actuator - 820-3MDLX (Linak #LA27-U026)	1	1
5		1137337	HiLo Actuator - SC900DLX (Linak #LA27-U025-00)	1	1
6		1137341	HiLo Actuator Pull Tube - 820-3MDLX	1	1
6		1137381	HiLo Actuator Pull Tube - SC900DLX	1	1
7	E	1140806	Motor/Gear Assembly, Hi-Lo - 820-3MDLX	1	1
7	F	1137383	Motor/Gear Assembly, Hi-Lo - SC900DLX	1	1
8	D	1115292-NLA	NLA - Foot Actuator - (Linak #LA27-0007-03)	1	1
9		1137342	Foot Actuator Pull Tube	1	1
10		1137385	Motor/Gear Assembly, Foot	1	1
11		1180040	Pendant, 6 Channel	1	1
12		1133841	Holster, Pendant	1	1
13		1116640	Cable, Hi-Lo Motor w/ Red O-Ring (Head End)	1	1
14		1116641	Cable, Head Actuator w/ Blue O-Ring	1	1
15		1116642	Cable, Foot Actuator w/ Yellow O-Ring	1	1
16		1133062	Crank, Emergency	1	1
17		1132002	Power Cord, 10-1/2' (Hospital Grade) with Angled Pin Connectors	1	1
17		1144786	Power Cord, 17' with Straight Pin Connectors	1	1
18		1116655	Lock, Cable	1	1
19		1117178	Controller/Junction Box, 6 Channel	1	1
20		1140812	Cable, "T"	1	1
21		001741	Screw, Hex Head (5/16-18 x 3/4")	1	2
22		001008	Washer, Split Lock (5/16")	1	2
23		001443	Bushing, Shoulder - Pivot	1	1
24		001405	Bushing, Flanged, Nylon	1	1

NOTE: A - Includes items 2-5, 6, 7, 8-24
 B - Includes items 2-4, 5, 6, 7, 8-24
 C - No Longer Available separately. Must order item #3 1137384 that includes 1115291 Head Motor and Pull Tube w/ Hardware.
 D - No Longer Available separately. Must order item #10 1137385 that includes 1115292 Foot Motor and Pull Tube w/ Hardware.
 E - Includes item #5 1137338 HiLo Actuator 820-3MDLX and Pull Tube w/ Hardware.
 F - Includes item #5 1137337 HiLo Actuator SC900DLX and Pull Tube w/ Hardware.

Model IH5748A - 8 Bar Nylasar

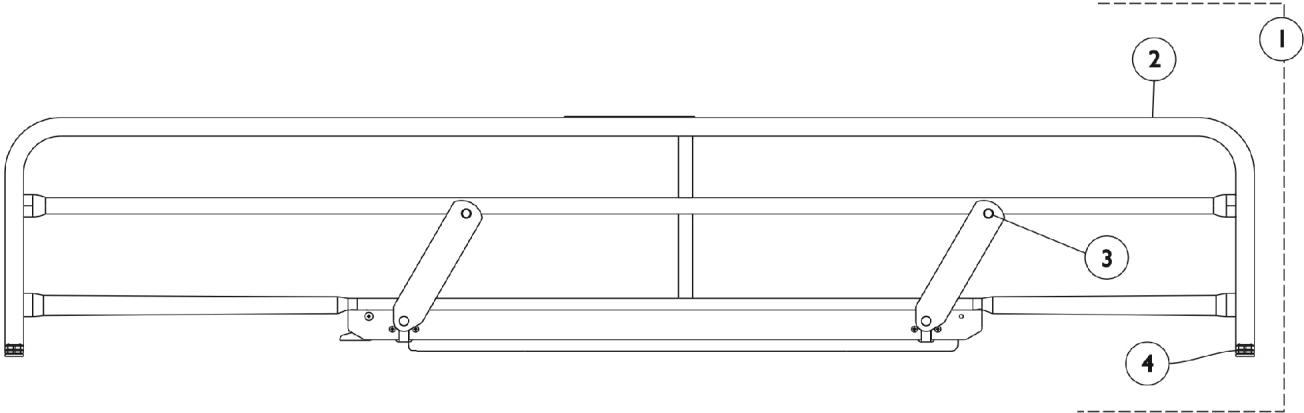


Model IH5748A - 8 Bar Nylasar

Item Number	Note	Part Number	Description	Quantity Per	
				Package	Assembly
1	A	1132013-NLA	NLA - Safety Side Rail Assembly - Right	1	1
1	A	1132014	Assembly, Safety Side Rail - Left	1	1
2		1142008-NLA	NLA - Rail, Cover and Guard - 8 Rail	1	1
3		000390-NLA	NLA - Arm, Pivot	1	7
4		000389-NLA	NLA - Arm, Latch	1	1
5		000388-NLA	NLA - Latch, Restraining Side Actuator	1	1
6		000494-NLA	NLA - Arm, Restraining Side Latch	1	1
7		000391-NLA	NLA - Pin, Latch	1	1
8		000173-NLA	NLA - Ring, Retaining (1/4")	1	1
9	C	000386-NLA	NLA - Cap, Guard Rail	1	2
10	C	009289-NLA	NLA - Adhesive	1	1
11		000397-NLA	NLA - Screw, Shoulder Hex Socket Head (3/8 x 1-1/2", 5/16-18)	1	9
12		53000M434	Locknut (5/16-18)	1	9
13		000387-NLA	NLA - Spacer (3/8 x 3/4 x 1/64")	1	9
14		000394-NLA	NLA - Bearing, Nylon (3/8")	1	16
15		000395	Washer, Steel (7/16 x 13/16 x 1/16")	1	8
16		000393-NLA	NLA - Washer, Rubber (7/16 x 27/32 x 1/8")	1	8
17		033466	Pin, Spring (1/4 x 13/16")	1	8
18		031195-NLA	NLA - Spacer (5/16 x 3/4 x 5/16")	1	8
	B	026626	Hardware, Tamper Resistant - Includes: (1) Bit, (18) Nuts, and (18) Spacers.	1	1
	B	1143214	Instruction Sheet, Bed Rail and ThinkSoft® Positioning Device	1	1
	B	1130183	Label, Entrapment Warning	1	1

NOTE: A - Includes: Items 2-18.
 B - Not Shown.
 C - The Adhesive is No Longer Available as a service part. Please use your own adhesive when installing the Guard Rail Cap.

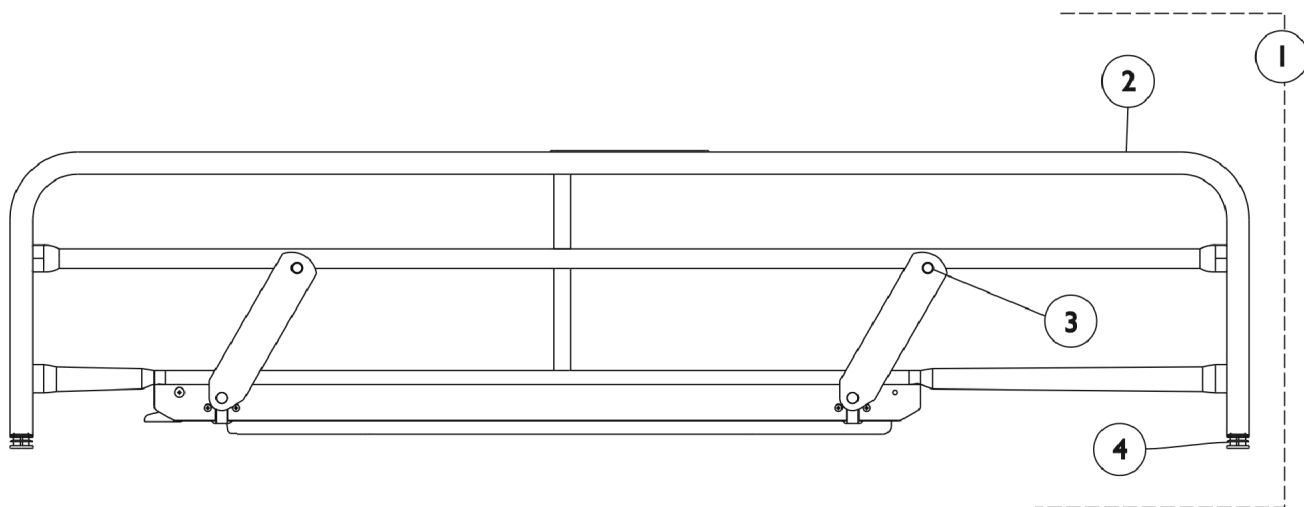
Model IH6801A - Full Length Epoxy



Model IH6801A - Full Length Epoxy

Item Number	Note	Part Number	Description	Quantity Per	
				Package	Assembly
1	A	1143713	Full Length Side Rail Assembly	1	1
2		1143693	Side Rail, Full Length - Right	1	1
2		1143694	Side Rail, Full Length - Left	1	1
3		033786	Screw, Socket Head (#10-32 x 3/8")	1	4
4		1165068	Package, End Plug	10	1
	B	020258	Wrench, Allen (5/32")	1	1
	B	1143214	Instruction Sheet, Bed Rail and ThinkSoft® Positioning Device	1	1
	B	1143699	Hardware, Rail Mounting Includes: (1) Crossbar Pivot (2) Pivot Bracket (8) Locknut (5/16-18) (8) Screw, Hex Head (5/16-18 x 1")	1	1
NOTE: A - Includes: Items 2-4, all Attaching Hardware, and Instruction Sheet. B - Not Shown.					

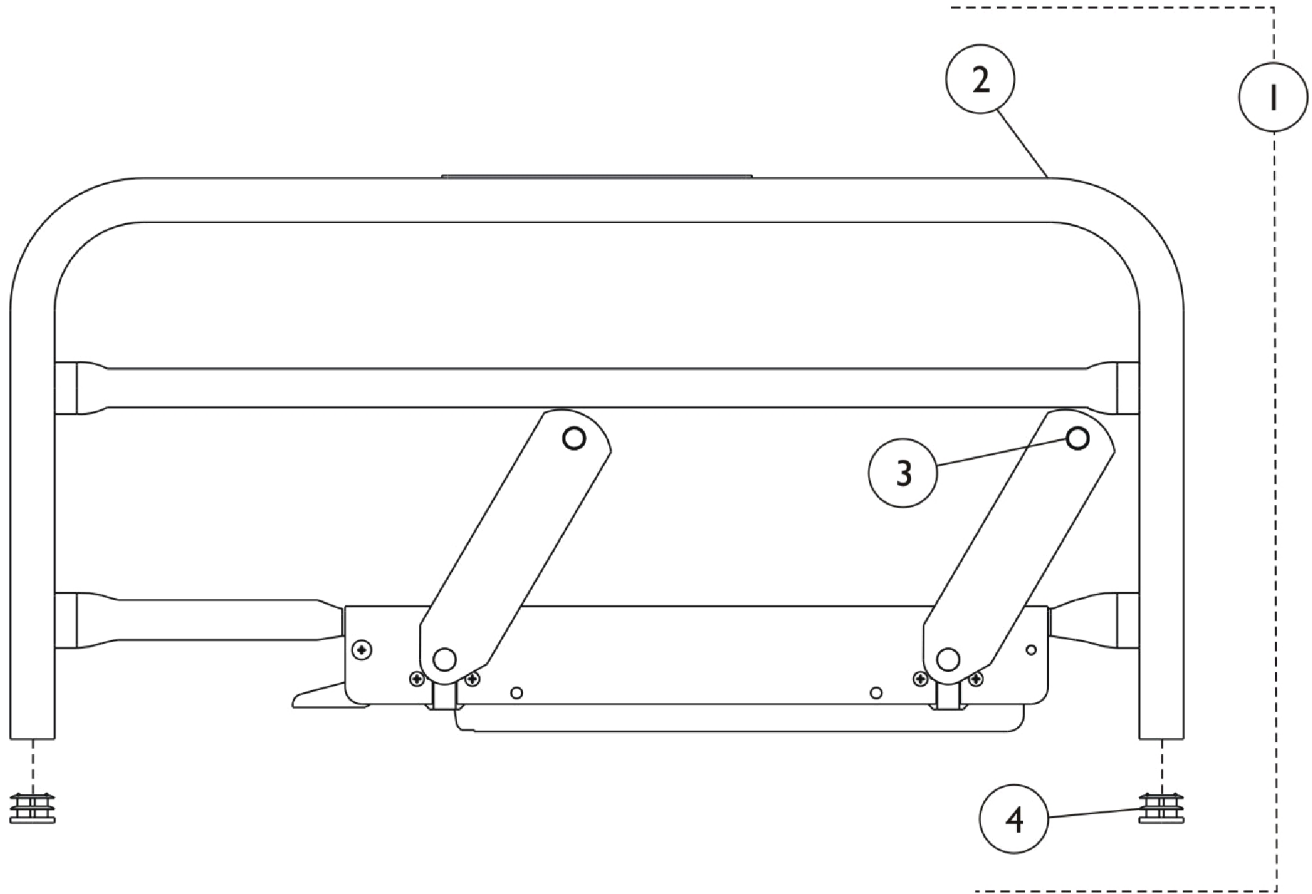
Model IH6808A - 3/4 Length Epoxy Rail



Model IH6808A - 3/4 Length Epoxy Rail

Item Number	Note	Part Number	Description	Quantity Per	
				Package	Assembly
1	A	1143712	Side Rail Assembly, 3/4 Length	1	1
2		1143387	Side Rail, 3/4 Length - Right	1	1
2		1143388	Side Rail, 3/4 Length - Left	1	1
3		033786	Screw, Socket Head (#10-32 x 3/8")	1	4
4		1165068	Package, End Plug	10	1
	B	020258	Wrench, Allen (5/32")	1	1
	B	1143214	Instruction Sheet, Bed Rail and ThinkSoft® Positioning Device	1	1
	B	1143699	Hardware, Rail Mounting Includes: (1) Crossbar Pivot (2) Pivot Bracket (8) Locknut (5/16-18) (8) Screw, Hex Head (5/16-18 x 1")	1	1
NOTE: A - Includes: Items 2, Instruction Sheet, and Attaching Hardware. B - Not Shown.					

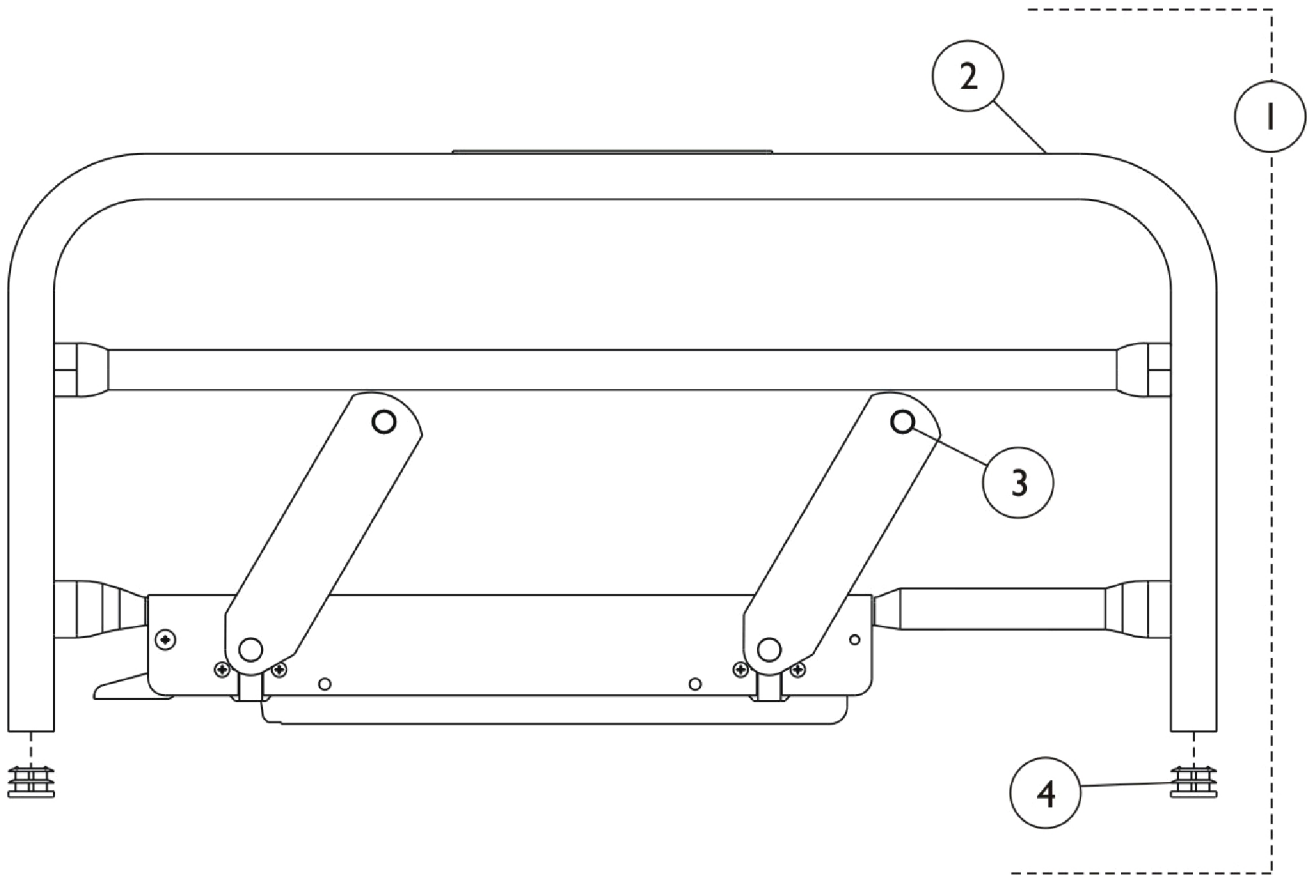
Model IH6815A - 1/2 Length Epoxy Rail, Head End



Model IH6815A - 1/2 Length Epoxy Rail, Head End

Item Number	Note	Part Number	Description	Quantity Per	
				Package	Assembly
1	A	1143708	Side Rail Assembly, 1/2 Length	1	1
2		1143362	Side Rail, 1/2 Length - Right	1	1
2		1143363	Side Rail, 1/2 Length - Left	1	1
3		033786	Screw, Socket Head (#10-32 x 3/8")	1	4
4		1165068	Package, End Plug	10	1
	B	020258	Wrench, Allen (5/32")	1	1
	B	1143214	Instruction Sheet, Bed Rail and ThinkSoft® Positioning Device	1	1
	B	1143698	Hardware, Rail Mounting Includes: (1) Crossbar (2) Pivot Bracket (4) Locknut (1/4-20) (4) Screw, Hex Head (1/4-20 x 5/8")	1	1
NOTE: A - Includes: Items 2, Instruction Sheet, and Attaching Hardware. B - Not Shown.					

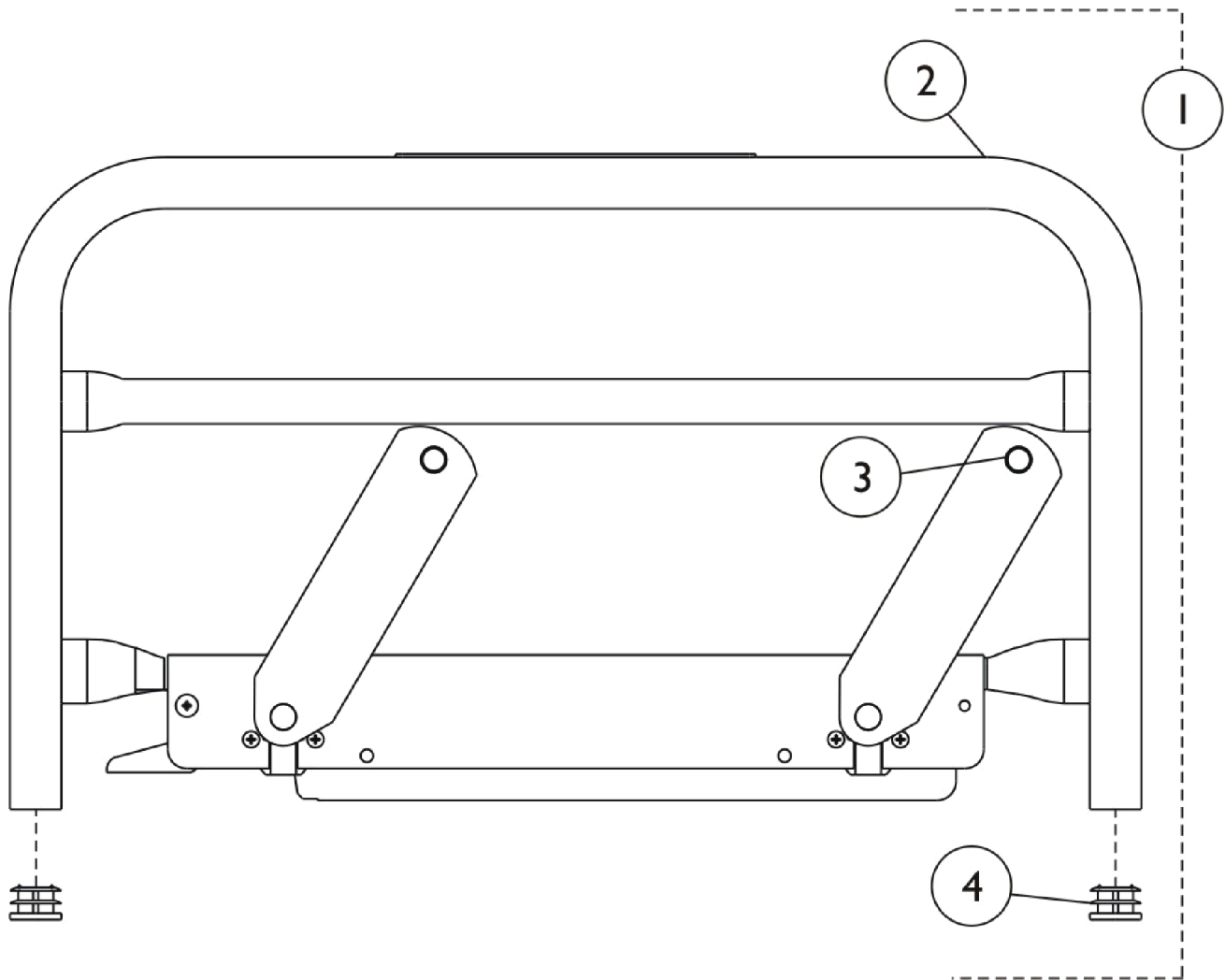
Model IH6816A - 1/2 Length Epoxy Rail, Foot End



Model IH6816A - 1/2 Length Epoxy Rail, Foot End

Item Number	Note	Part Number	Description	Quantity Per	
				Package	Assembly
1	A	1143710	Side Rail Assembly, 1/2 Length	1	1
2		1143395	Side Rail, 1/2 Length - Right	1	1
2		1143396	Side Rail, 1/2 Length - Left	1	1
3		033786	Screw, Socket Head (#10-32 x 3/8")	1	4
4		1165068	Package, End Plug	10	1
	B	020258	Wrench, Allen (5/32")	1	1
	B	1143214	Instruction Sheet, Bed Rail and ThinkSoft® Positioning Device	1	1
	B	1143700	Hardware, Rail Mounting Includes: (2) Pivot Bracket (4) Locknut (1/4-20) (4) Screw, Hex Head (1/4-20 x 5/8")	1	1
NOTE: A - Includes: Items 2, Instruction Sheet, and Attaching Hardware. B - Not Shown.					

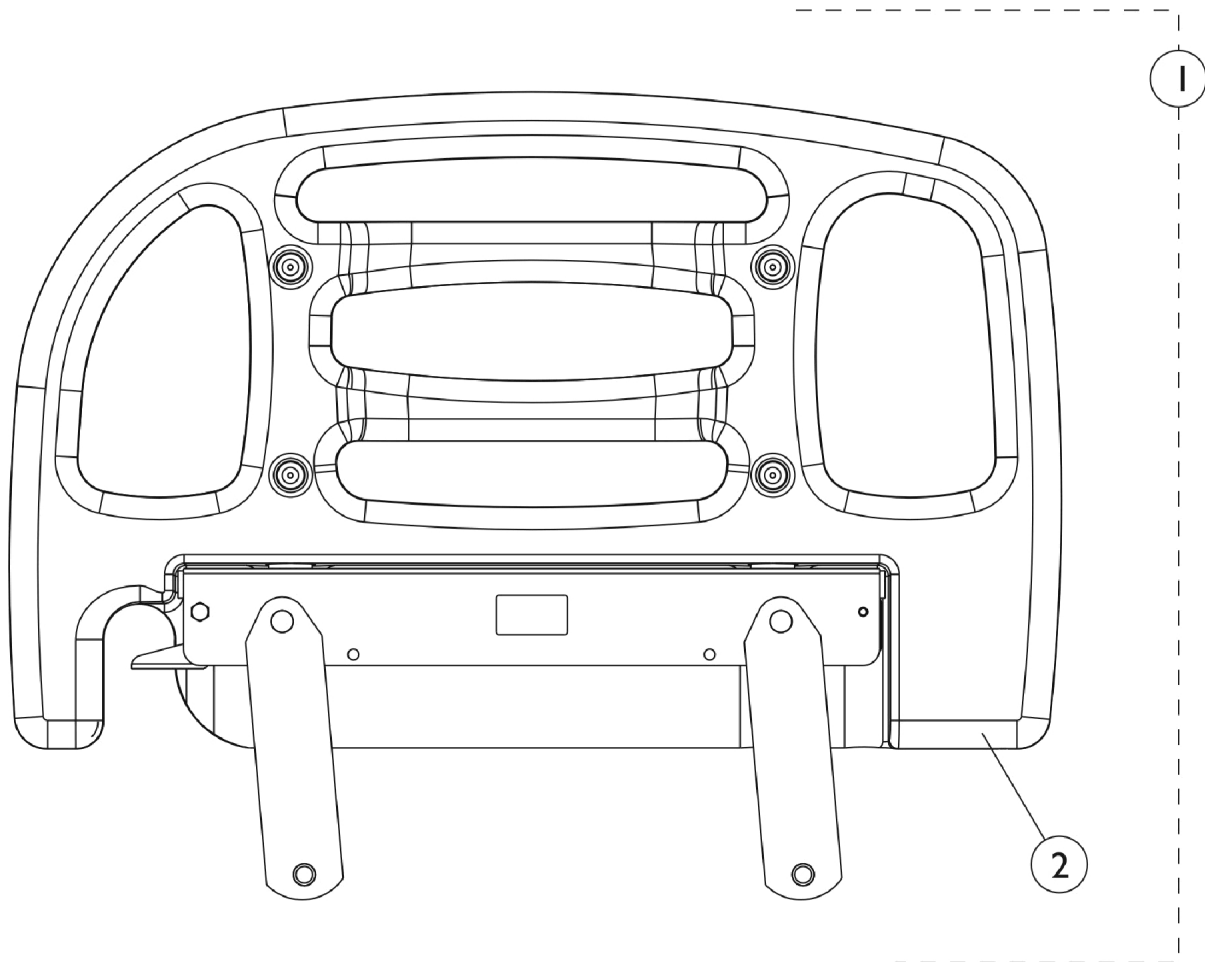
Model IH6803A - 1/4 Length Epoxy Rail



Model IH6803A - 1/4 Length Epoxy Rail

Item Number	Note	Part Number	Description	Quantity Per	
				Package	Assembly
1	A	1143709	Side Rail Assembly, 1/4 Length	1	1
2		1143360	Side Rail, 1/4 Length - Right	1	1
2		1143361	Side Rail, 1/4 Length - Left	1	1
3		033786	Screw, Socket Head (#10-32 x 3/8")	1	4
4		1165068	Package, End Plug	10	1
	B	020258	Wrench, Allen (5/32")	1	1
	B	1143214	Instruction Sheet, Bed Rail and ThinkSoft® Positioning Device	1	1
	B	1143698	Hardware, Rail Mounting Includes: (1) Crossbar (2) Pivot Bracket (4) Locknut (1/4-20) (4) Screw, Hex Head (1/4-20 x 5/8")	1	1
NOTE: A - Includes: Items 2, Instruction Sheet, and Attaching Hardware. B - Not Shown.					

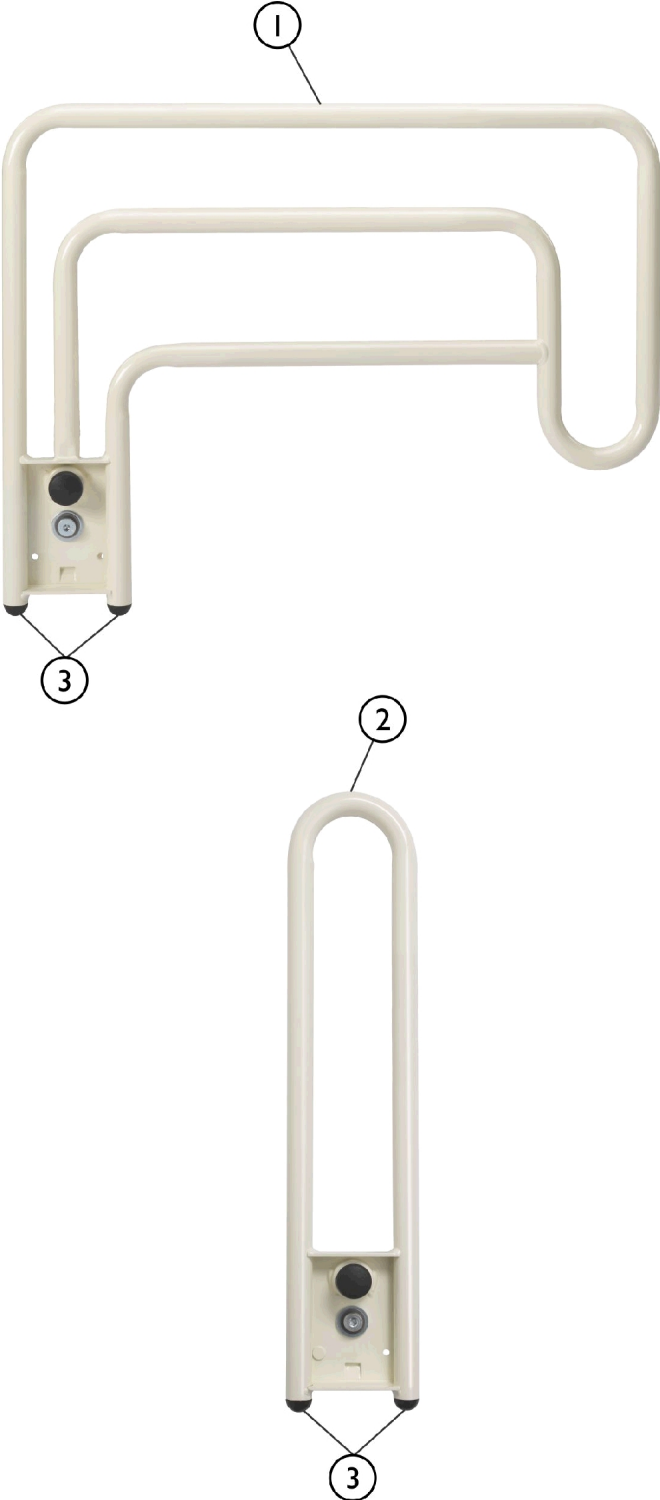
Bed Rails - IHRAILTS-DLX ThinkSoft® Positioning Device



Bed Rails - IHRAILTS-DLX ThinkSoft® Positioning Device

Item Number	Note	Part Number	Description	Quantity Per	
				Package	Assembly
1	A	1159105	ThinkSoft® Assembly Packaging	1	1
2		1157357	ThinkSoft® Positioning Device - Right	1	1
2		1157358	ThinkSoft® Positioning Device - Left	1	1
3		1157350	Kit, Pin Retaining DLX	1	1
			Bag, Poly (5" x 7")	1	1
			Pin, Retaining	4	1
			Washer, Nylon (1/2 x 7/8 x 1/16")	4	1
	B	1143214	Instruction Sheet, Bed Rail and ThinkSoft® Positioning Device	1	1
	B	1143698	Hardware, Rail Mounting	1	1
			Includes:		
			(1) Crossbar		
			(2) Pivot Bracket		
			(4) Locknut (1/4-20)		
			(4) Screw, Hex Head (1/4-20 x 5/8")		
NOTE: A - Includes Item 2 and 3, also comes with Instruction Sheet and Rail Mounting Hardware. B - Not Shown.					

Assist Rails



Assist Rails

Item Number	Note	Part Number	Description	Quantity Per	
				Package	Assembly
1		IHRAILAE-DLX- QS	Rail, Assist with Hardware	1	2
2		IHRAILAB-DLX- QS	Bar, Assist w/ Hardware	1	2
3		1165068	Package, End Plug	10	1

Miscellaneous Accessories

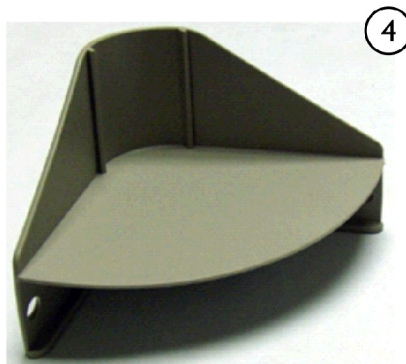
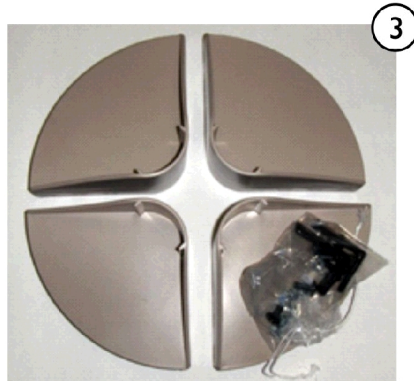
Bumper and I.V. Holder

Part Number	Description	Package Quantity	Assembly Quantity
003790	Holder, I.V. Rod and Bumper	1	2
000834	Screw, Pan Head (#10 x 3/4")	1	4

I.V. Bracket

Part Number	Description	Package Quantity	Assembly Quantity
026394-NLA	NLA - Bracket, I.V. Bolt On - Left	1	1
026395-NLA	NLA - Bracket, I.V. Bolt On - Right	1	1
001743-NLA	NLA - Screw, Slotted Pan Head (1/4-20 x 3/4")	1	8
003005-NLA	NLA - Nut, Hex (1/4-20)	1	8
004033-NLA	NLA - Washer, Split Lock (1/4")	1	8
1070795-NLA	NLA - Instruction Sheet, I.V. Bracket	1	1

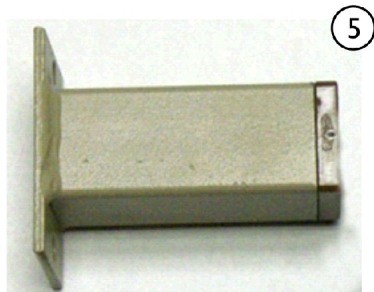
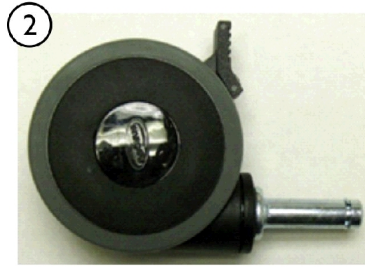
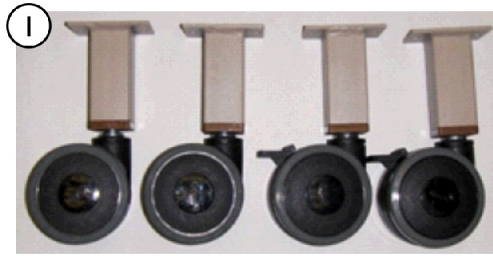
Bed Extender and Mattress Parts



Bed Extender and Mattress Parts

Item Number	Note	Part Number	Description	Quantity Per	
				Package	Assembly
1	A	1133065-NLA	NLA - Bed Extender (Taupe)	1	1
2		032981-NLA	NLA - Mattress (13-3/8 x 32 x 2")	1	1
3		1070793-NLA	NLA - Instruction Sheet, Bed Extender and Mattress	1	1
4	B	1124031	Kit, Mattress Keeper Includes: 4 ea. Mattress Keepers, 8 ea. Nuts, 8 ea. Screws, and 1 ea. Poly Bag	1	1
5		1124067	Mattress Keeper, Single	1	1
NOTE: A - Pan Deck only B - Includes 4-Mattress Keepers, 8-Screws, 8-Nuts					

Caster Parts

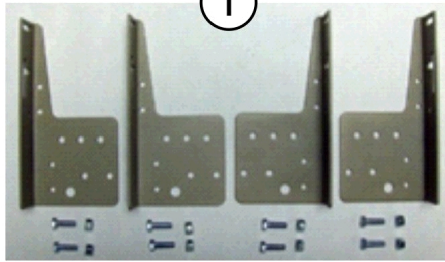


Caster Parts

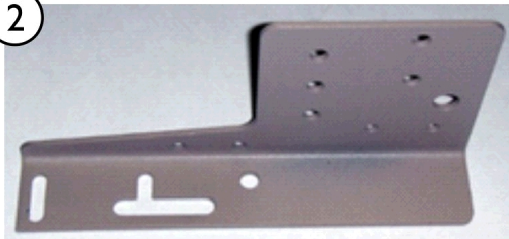
Item Number	Note	Part Number	Description	Quantity Per	
				Package	Assembly
1		027027	Kit, Caster 3" Swivel w/ Bracket	4	1
2		1123551	Caster Assembly, Swivel w/ Brake (3")	1	2
3		1123549	Caster Assembly, Swivel w/o Brake (3")	1	2
4		51000M083	Socket, Caster	1	4
5		027025	Bracket, Caster	1	4

Corner Bracket Kit

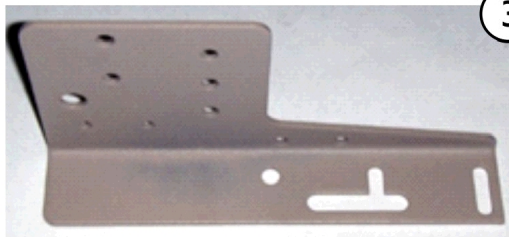
1



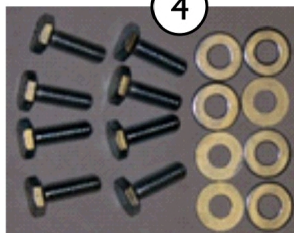
2



3



4



Corner Bracket Kit

Item Number	Note	Part Number	Description	Quantity Per	
				Package	Assembly
1	A	1161904	Kit, Corner Bracket, White	1	1
2	C	033576-NLA	NLA - Corner Bracket, Head-Left, Foot-Right	1	1
3	C	033577-NLA	NLA - Corner Bracket, Head-Right, Foot-Left	1	1
4	B	Y002984	Kit, Head and Footboard Hardware	1	1
NOTE: A - Includes 2-Left Corner Brackets, 2-Right Corner Brackets, 8-Screws, 8-Nuts. Note: Taupe is No Longer Available. B - Includes 8-Screws and 8-Washers C - Item #2 and #3 are no longer available separately. Order item #1 Corner Bracket Kit.					



Yes, you can.

One Invacare Way
Elyria, Oh USA
44035
800-333-6900

Technical Support
800-668-2337
Customer Service
800-668-2337

Service Availability
Monday - Friday
Hours of Availability
8 AM - 5:30 PM

© 2022 Invacare Corporation. All rights reserved. Republication, duplication or modification in whole or in part is prohibited without prior written permission from Invacare. Trademarks are identified by TM and ©. All trademarks are owned by or licensed to Invacare Corporation or its subsidiaries unless otherwise noted. (Revised 06/17/22)