

**Invacare®
Value Care
VC5310
Single Motor Bed**



Yes, you can.

Parts Catalog Usage Guide

The information contained in this document is subject to change without notice. This catalog contains service parts for Form No. 05-018. If you have any questions regarding this catalog, please contact one of our Customer Service Representatives.

For Customer Service Support Call:

1-800-333-6900

For Faxed In Orders Call:

1-800-678-4682 or

1-440-366-0709

For Technical Service Call:

1-800-832-4707

Literature Can Be Found at:

www.invacare.com or

1-800-828-6272

SYMBOL DEFINITION

Throughout this catalog you will notice letters to draw your attention to specific footnotes which are located at the bottom of the page or below specified charts.

Examples:

A,B,C etc. = Special Comments

NOTE: = General information pertaining to that specific page

NLA = No Longer Available

HARDWARE MEASUREMENTS

The measurements for the hardware will be listed as follows:

Screws, Bolts Diameter X Thread Count/Pitch X Length

Washers Inside Diameter X Outside Diameter X Thickness

Spacers Inside Diameter X Outside Diameter X Length

For your convenience, we have supplied an area for you to list your Invacare Representatives.

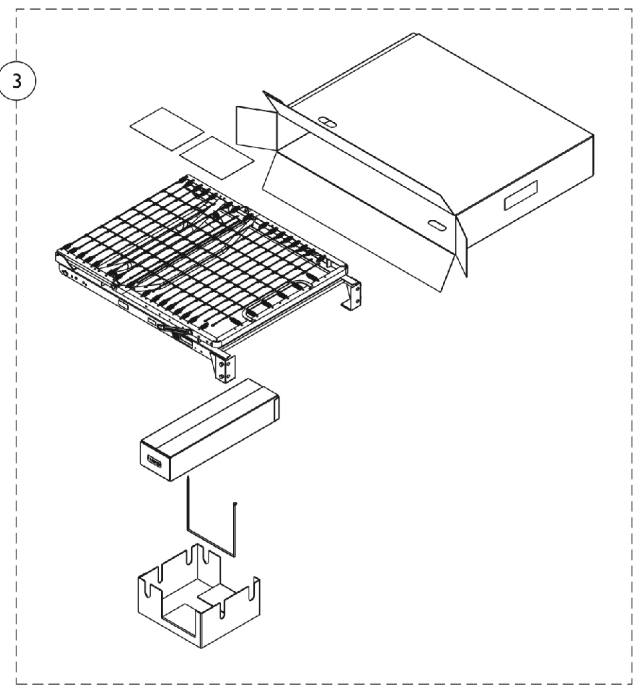
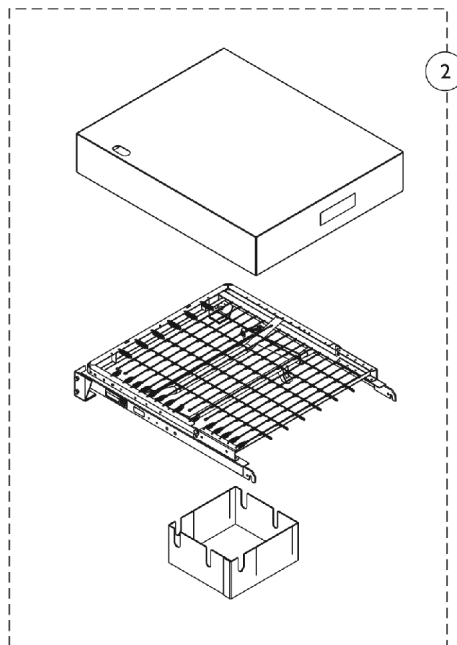
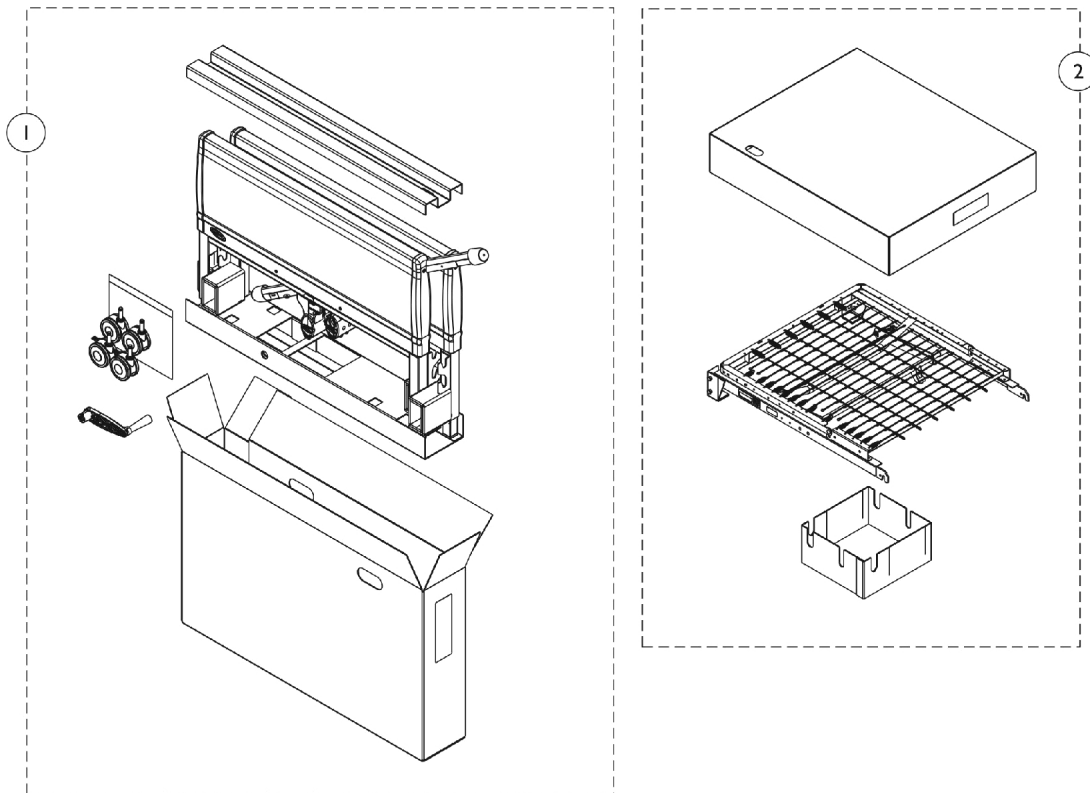
Name	Phone Numbers

© 2022 Invacare Corporation, Elyria, Ohio. Invacare, the Medallion Design and Yes, you can. are registered trademarks of Invacare Corporation.

TABLE of CONTENTS

Description	Page Number
Drive Shaft, Casters, Hand Crank	7
Head End - Foot End - Bed Ends	3
Motor (Actuator) & Pendant	5

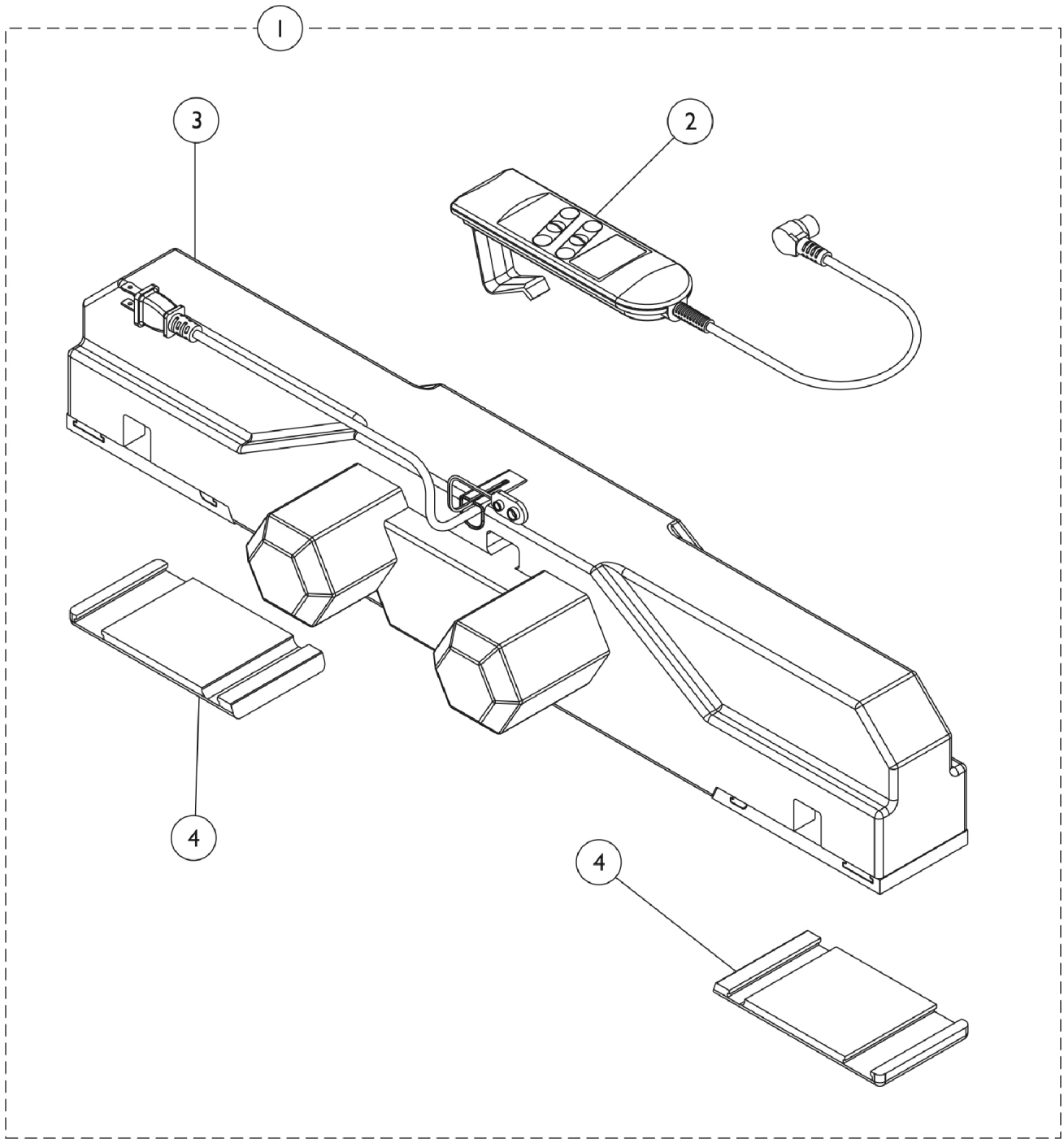
Head End - Foot End - Bed Ends



Head End - Foot End - Bed Ends

Item Number	Note	Part Number	Description	Quantity Per	
				Package	Assembly
1		5301IVC	Ends, Bed, Single Crank w/ Pull Tubes, Casters, Packaging & Literature	1	1
2		VC5000	Head Section w/ Packaging	1	1
3		VC5890	Foot Section w/ Motor, Pendant & Packaging	1	1

Motor (Actuator) & Pendant

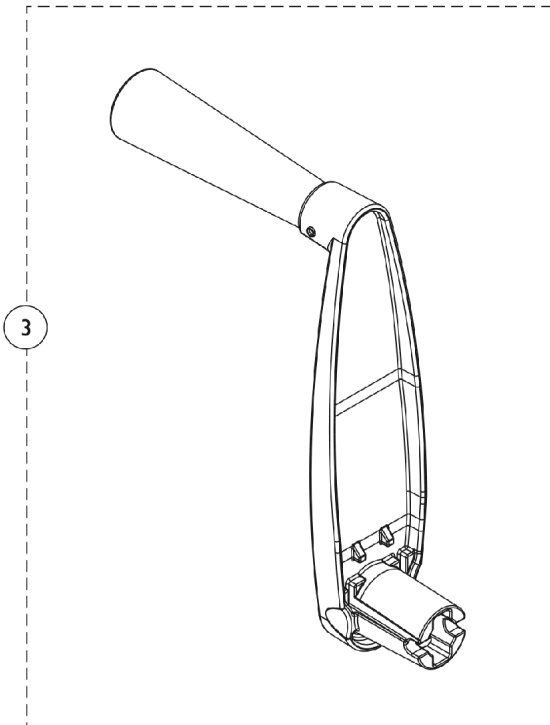
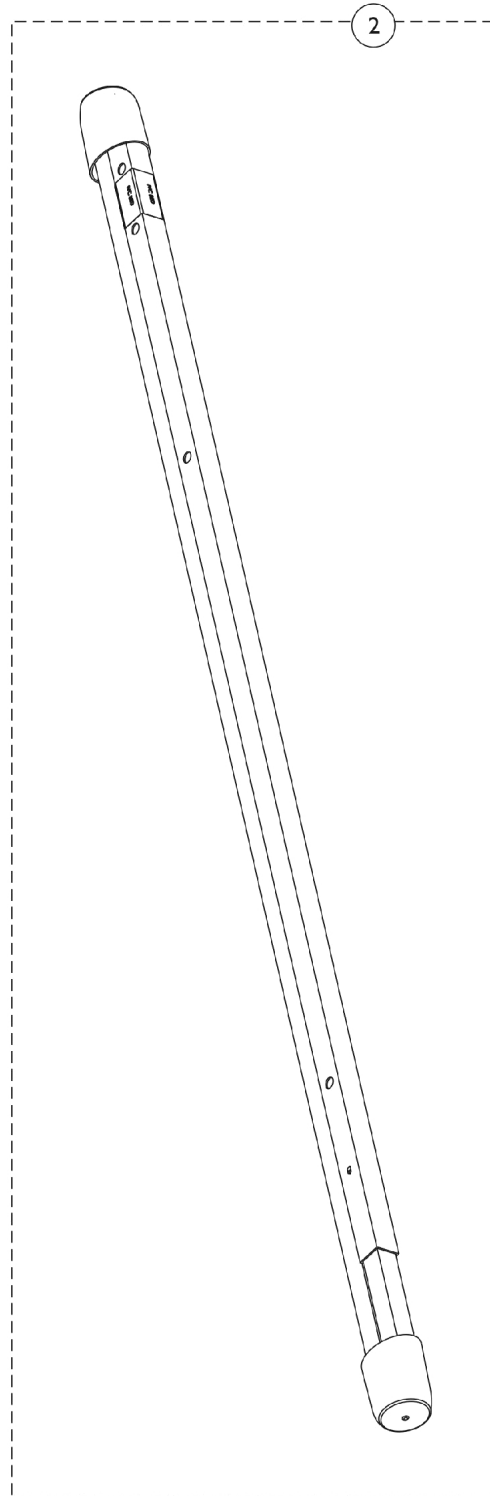
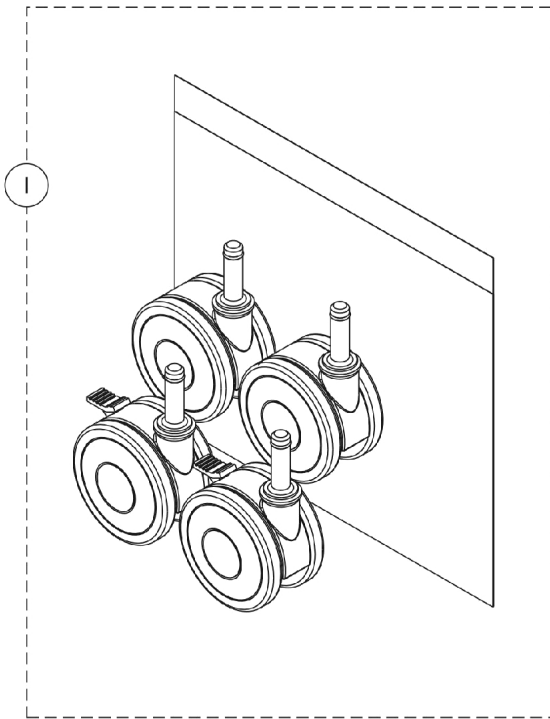


Motor (Actuator) & Pendant

Item Number	Note	Part Number	Description	Quantity Per	
				Package	Assembly
1	A	1128125-NLA	NLA - Kit, Motor and Pendant Package	1	1
			NLA - Pendant, Control	1	1
			NLA - Actuator, Dual Motor	1	1
			Cap, Motor Attachment	1	2
2		1128139-NLA	NLA - Pendant, Control	1	1
3		1128138-NLA	NLA - Actuator, Dual Motor	1	1
4		1132733	Cap, Motor Attachment	1	2

NOTE: A - Includes: Items 2-4

Drive Shaft, Casters, Hand Crank



Drive Shaft, Casters, Hand Crank

Item Number	Note	Part Number	Description	Quantity Per	
				Package	Assembly
1		1123550	Package, Caster (2-w/o Brake; 2-w/ Brake)	1	1
2		7000M585	Drive Shaft Assembly (80")	1	1
3		1116636-NLA	NLA - Crank, Manual - Hi/Lo (Zinc)	1	1

Invacare Corporation

www.invacare.com



Yes, you can.

One Invacare Way
Elyria, Oh USA
44036-2125
800-333-6900

Technical Support
800-832-4707
Customer Service
800-333-6900

Literature Orders
800-333-6900

© 2022 Invacare Corporation, Elyria, Ohio.
All rights reserved. Trademarks are
identified by the symbols TM and ©. All
trademarks are owned by or licensed to
Invacare Corporation unless otherwise
noted.
(Revised 10/24/22)

Form No. 05-018