

**ProSPIN™ X4™  
ProSPIN™ X4™ Heavy Duty**

**Wheelchairs**



*Yes, you can.*

# Parts Catalog Usage Guide

The information contained in this document is subject to change without notice. This catalog contains service parts for Form No. 05-010. If you have any questions regarding this catalog, please contact one of our Customer Service Representatives.

**For Customer Service Support Call:**

**1-800-333-6900**

**For Faxed In Orders Call:**

**1-800-678-4682 or**

**1-440-366-0709**

**For Technical Service Call:**

**1-800-832-4707**

**Literature Can Be Found at:**

**www.invacare.com or**

**1-800-828-6272**

## SYMBOL DEFINITION

Throughout this catalog you will notice letters to draw your attention to specific footnotes which are located at the bottom of the page or below specified charts.

Examples:

A,B,C etc. = Special Comments

NOTE: = General information pertaining to that specific page

NLA = No Longer Available

## HARDWARE MEASUREMENTS

The measurements for the hardware will be listed as follows:

Screws, Bolts Diameter X Thread Count/Pitch X Length

Washers Inside Diameter X Outside Diameter X Thickness

Spacers Inside Diameter X Outside Diameter X Length

For your convenience, we have supplied an area for you to list your Invacare Representatives.

Name	Phone Numbers

© 2022 Invacare Corporation. Elyria, Ohio. Invacare, Yes, you can., and the Medallion Design are registered trademarks and ProSPIN and X4 are trademarks of Invacare Corporation. KIK is a registered trademark of KIK Technology, Inc. Natural Fit is a trademark of Three Rivers Out Front.

# TABLE of CONTENTS

Description	Page Number
Accessories - Miscellaneous .....	120
Amputee Attachment .....	119
Arms - "T" Arm .....	38
Arms - Attaching Hardware - Conventional Adjustable Height Arms .....	30
Arms - Conventional Adjustable Height .....	32
Arms - Swingaway Half Arms (AT99) .....	28
Axle - Mounting Plate Hardware & Camber Inserts - w/ Anti-Tippers .....	51
Axle - Mounting Plate Hardware & Camber Inserts - w/o Anti-Tippers .....	49
Axles & Axle Mounting Plate .....	117
Canes - Back - Back Tube Bracket & Hardware .....	19
Casters - Forks w/ Hardware .....	44
Casters - Front and Mounting Hardware .....	42
Fabric Clothing Protectors .....	114
Frame Finishes & Touch-Up Paint .....	5
Frames - Crossbraces & Hardware - Heavy Duty .....	17
Frames - Crossbraces & Hardware - Non-Heavy Duty .....	14
Frames - Frame Hardware - Fixed Front .....	11
Frames - Frame Hardware - Swingaway Front .....	8
Front Riggings - Adjustable Angle Footplate Assemblies - AT5543 .....	97
Front Riggings - Adjustable Heel Loops .....	110
Front Riggings - Elevating Legrest Support Assembly - ELRSS (After 9/16/07) .....	90

# TABLE of CONTENTS

Description	Page Number
Front Riggings - Footplate - One Piece Adjustable Angle Flip-Up - AT5545 .....	107
Front Riggings - Footrest Support Assemblies .....	83
Front Riggings - Heel Loops .....	112
Front Riggings - Legrest Calf Pads .....	96
Front Riggings - Pivot Tube w/ Footplate Assembly - 1651 Composite .....	101
Front Riggings - Pivot Tube w/ Footplate Assembly - Tubular .....	104
Front Riggings - Wedge Style Elevating Legrest Support Assembly - AT5044 (Before 9/17/07)	85
Handrims and Mounting Hardware .....	53
Handrims and Mounting Hardware - Natural Fit & Natural Fit LT .....	55
Headtubes w/ Hardware .....	77
Packaging - Cartons, Bags, Inserts, Literature & Decals .....	6
Rigid Side Guard .....	115
Upholstery - Back - Adjustable Tension .....	24
Upholstery - Back - Slip On .....	22
Upholstery - Seat .....	26
Wheel Lock - Hill Holder & Attaching Hardware .....	81
Wheel Locks - Hideaway Undermount .....	80
Wheel Locks & Attaching Hardware - Push/Pull to Lock .....	79
Wheels - Rear w/ Handrims - Spoke (After 9/1/11) .....	70
Wheels - Rear w/ Handrims - Spoke (Before 9/2/11) .....	74
Wheels - Rear w/o Handrims - Composite .....	58



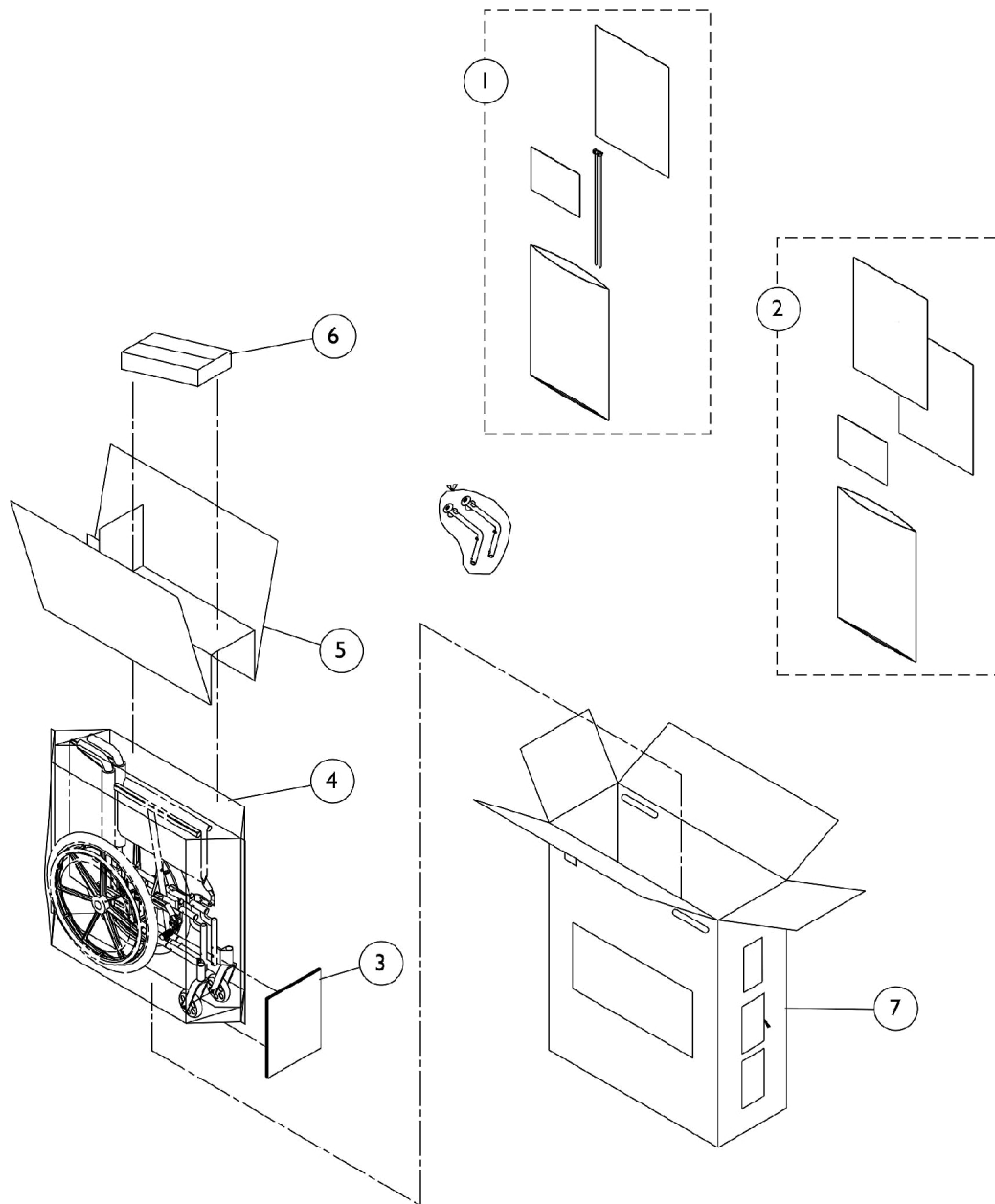
# TABLE of CONTENTS

Description	Page Number
Wheels - Rear w/o Handrims - Spoke (After 9/1/11) .....	59
Wheels - Rear w/o Handrims - Spoke (Before 9/2/11) .....	66

## Frame Finishes & Touch-Up Paint

Contemporary Color Numbers	Touch-Up Paint (.6 oz.)	Color
115P	1133371-NLA	Black Prism
105P	1101326-NLA	Midnight Blue
60P	1101318-NLA	Silver Metallic
71P	N/A	Silver Vein
24P	1031450-NLA	Wet Black
Too Hot Color Numbers	Touch-Up Paint (.6 oz.)	Color
119P	1133375-NLA	Bubblegum Pink
61P	1046321-NLA	Electric Red
118P	1133374-NLA	Fruit Fusion
120P	1133376-NLA	Grape Madness
116P	1133372-NLA	Sunkissed Orange
30P	1074167-NLA	Sunny Yellow
117P	1133373-NLA	Tangerine Red
Way Cool Color Numbers	Touch-Up Paint (.6 oz.)	Color
123P	1133379-NLA	Celestial Purple
122P	1133378-NLA	Cosmic Blue
62P	1046320-NLA	Electric Blue
104P	1101316-NLA	Electric Teal
125P	1133381-NLA	Emerald Green
121P	1133377-NLA	Lolly Pop Blue
126P	1133382-NLA	Shamrock Green
127P	1133383-NLA	Grasshopper Green
124P	1133380-NLA	Vivid Violet

# Packaging - Cartons, Bags, Inserts, Literature & Decals

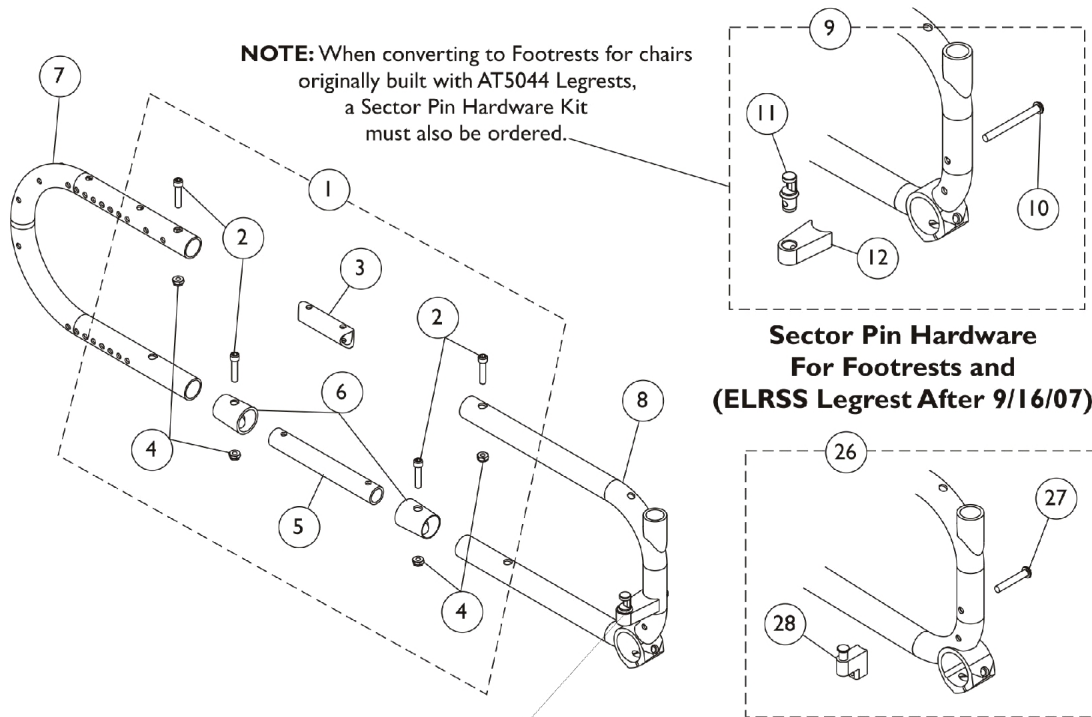


## Packaging - Cartons, Bags, Inserts, Literature & Decals

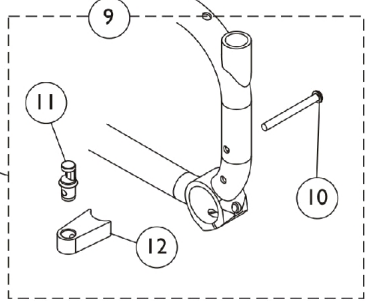
Item Number	Note	Part Number	Description	Quantity Per	
				Package	Assembly
1	A	1130554	Kit, Literature Enclosure - English	1	1
2	D	1134874	Kit, Literature and Label - French Canadian	1	1
3		40131X039-NLA	NLA - Insert, Carton	1	1
4		47568X002-NLA	NLA - Bag, Poly	1	1
5		40131X041	Insert, Top Carton	1	1
6		40131X011-NLA	NLA - Carton, Front Riggings	1	2
7	B	40131X038-NLA	NLA - Carton	1	1
7	C	40131X067-NLA	NLA - Carton	1	1
	E	1130523	NLA - Decal, X4	1	2
	E	1130522-NLA	NLA - Kit, Instruction Cards with Attaching Hardware, Transport Ready Option	1	1
	E	1083199-NLA	NLA - Label, Hook Tie-Down	1	2
	E	1095497	Decal, Invacare Logo (1.6)	1	2
<p>NOTE: A - Includes Owner's Manual, Warranty Card, and Cable Ties            B - 14-18" Deep chairs            C - 19-20" Deep chairs            D - Includes Owner's Manual, Label Instruction Sheet, and Labels            E - Not Shown</p> <p>When adjusting or replacing parts, please refer to your Owner's Manual for assistance.</p>					

# Frames and Frame Hardware - Swingaway Front

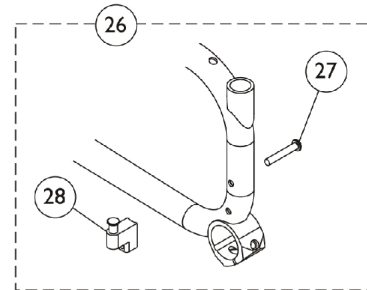
Transport Ready Chairs (TRRO) requiring Frames and/or Frame Hardware parts must be returned to Invacare for service.



**NOTE:** When converting to Footrests for chairs originally built with AT5044 Legrests, a Sector Pin Hardware Kit must also be ordered.

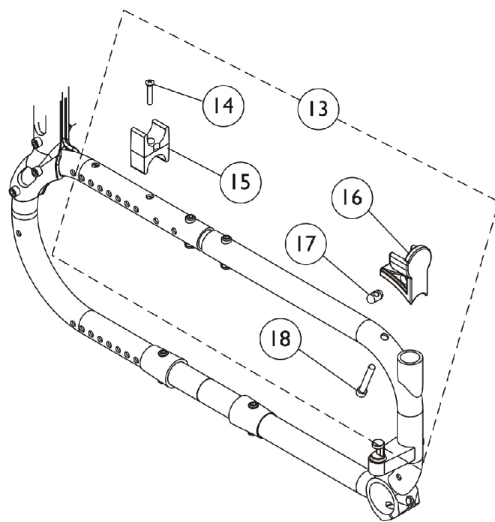


**Sector Pin Hardware For Footrests and (ELRSS Legrest After 9/16/07)**

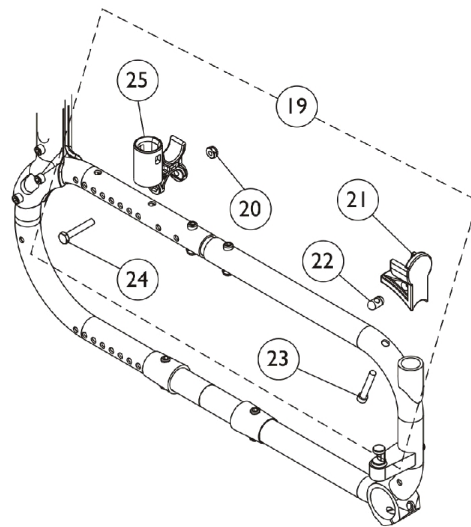


**Sector Pin Hardware For AT5044 Legrests Before 9/17/07**

Sector Pin (item 9 or 26) is not included with Front Frame



**Seat Guide Hardware for Swingaway Padded Arms and "T" Arms**



**Seat Guide Hardware for Conventional Adjustable Height Arms**

# Frames and Frame Hardware - Swingaway Front

Transport Ready Chairs (TRRO) requiring Frames and/or Frame Hardware parts must be returned to Invacare for service.

Item Number	Note	Part Number	Description	Quantity Per	
				Package	Assembly
1	A	1130541	Kit, Frame Hardware	1	1
2			Screw, Socket Head (1/4-28 x 1-1/4")	1	8
3			Tube, Upper Frame, Black	1	2
4			Locknut (1/4-28)	1	8
5			Tube, Lower Frame	1	2
6			Cap, End, Black Crossbrace	1	4
7	F	8881127987	Frame, Rear, Color	1	1
8	E,F,G	See Chart	#8 Front Frames - Non Heavy Duty Chairs	1	1
8	E,F,G	See Chart	#8 Front Frames - Heavy Duty Chairs	1	1
9	B	1130539	Kit, Sector Pin Hardware	1	1
10			Screw, Socket Button Head (1/4-20 x 2-1/2")	1	2
11			Pin, Sector	1	2
12			Bracket, Sector Block, Black	1	2
13	C	1130542	Kit, Seat Guide Hardware	1	1
14			NLA - Screw, Phillips Oval Head (#10-32 x 1")	1	2
15			Clamp, Seat	1	2
16			H-Block, Front - Right	1	1
16			H-Block, Front - Left	1	1
17			Pin, Threaded (3/8" x 3/4")	1	2
18			Screw, Socket Head (1/4-28 x 1-1/2")	1	2
13	I,K	1139449	Kit, Seat Guide Hardware	1	1
14			NLA - Screw, Phillips Oval Head (#10-32 x 1")	1	2
15			Clamp, Seat	1	2
16			H-Block, Front - Right	1	1
16			H-Block, Front - Left	1	1
18			Screw, Socket Button Head w/ Patch (1/4-20 x 3/4")	1	2
19	D	1130543	Kit, Seat Guide Hardware	1	1
20			Locknut (1/4-28)	1	2
21			H-Block, Front - Right	1	1
21			H-Block, Front - Left	1	1
22			Pin, Threaded (3/8" x 3/4")	1	2
23			Screw, Socket Head (1/4-28 x 1-1/2")	1	2
24			Screw, Hex Head (1/4-28 x 1-5/8")	1	2
25			Socket, Arm	1	2
19	J,L	1139450	Kit, Seat Guide Hardware	1	1
20			Locknut (1/4-28)	1	2
21			H-Block, Front - Right	1	1
21			H-Block, Front - Left	1	1
23			Screw, Socket Button Head w/ Patch (1/4-20 x 3/4")	1	2
24			Screw, Hex Head (1/4-28 x 1-5/8")	1	2
25			Socket, Arm	1	2
26	H	1137404	Kit, Sector Block Hardware	1	1
27			Screw, Socket Button Head (1/4-20 x 1-1/2")	1	2

# Frames and Frame Hardware - Swingaway Front

Transport Ready Chairs (TRRO) requiring Frames and/or Frame Hardware parts must be returned to Invacare for service.

Item Number	Note	Part Number	Description	Quantity Per	
				Package	Assembly
28			Block, Sector - Right	1	1
28			Block, Sector - Left	1	1
<p>NOTE: A - Includes items 2 thru 6.            B - Chairs with Footrests, ELRSS Legrest, or when converting to Footrest for chairs originally built with AT5044 Legrests. Includes items 10-12.            C - For Non Heavy Duty chairs with Swingaway Half Arms or "T" Arms. Includes items 14 thru 18.            D - For Non Heavy Duty chairs with Conventional Adjustable Height Arms. Includes items 20 thru 25.            E - Front Frames include the "X4" and Invacare logo decals. See Decal category for individual decal part nos.            F - Specify frame finish when ordering.            G - Sector Pin Hardware Kit (item 9 or 26) is not included with Front Frame            H - Chairs with AT5044 Legrests only. Includes items 27 and 28.            I - For Heavy Duty chairs with "T" Arms. Includes items 14-16, &amp; 18.            J - For Heavy Duty chairs with Conventional Adjustable Height Arms. Includes items 20, 21, 23-25.            K - Item 17 (Pin) is not included in kit and is not required for heavy duty chairs.            L - Item 22 (Pin) is not included in kit and is not required for heavy duty chairs.</p>					

## #8 Front Frames - Non Heavy Duty Chairs

Includes Frame and "X4" and Invacare logo decals

14" Deep	15" Deep	16" Deep	17" Deep	18" Deep	19" Deep	20" Deep
8881133995	8881133996	8881133997	8881133998	8881133999	8881134000	8881134001
Specify frame finish when ordering.						

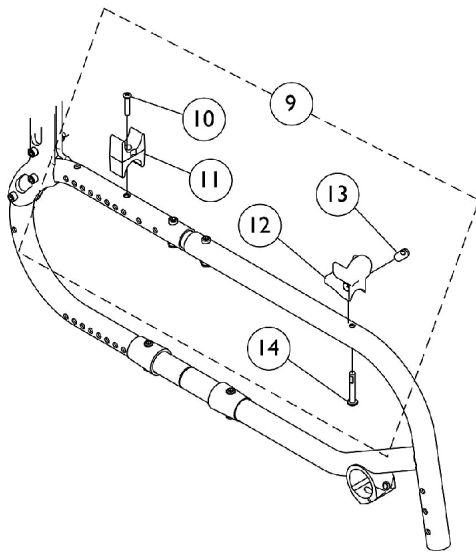
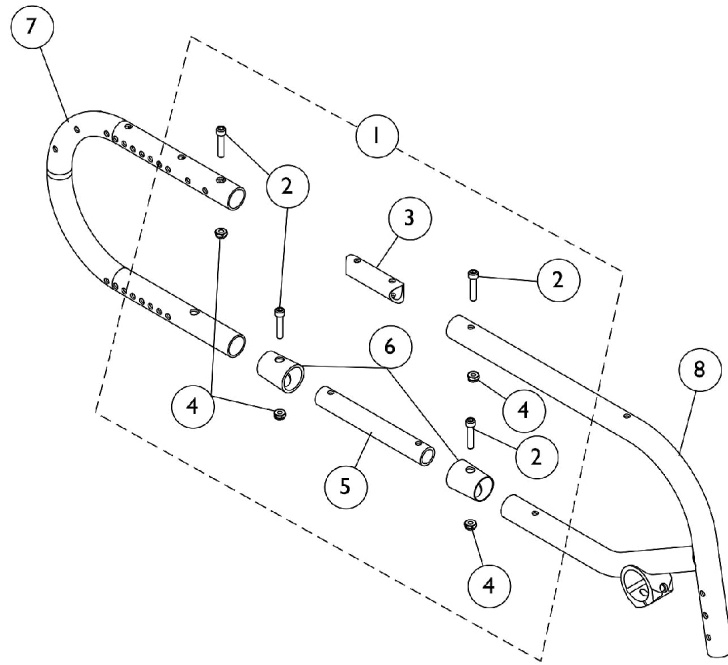
## #8 Front Frames - Heavy Duty chairs

Includes Frame and "X4" and Invacare logo decals

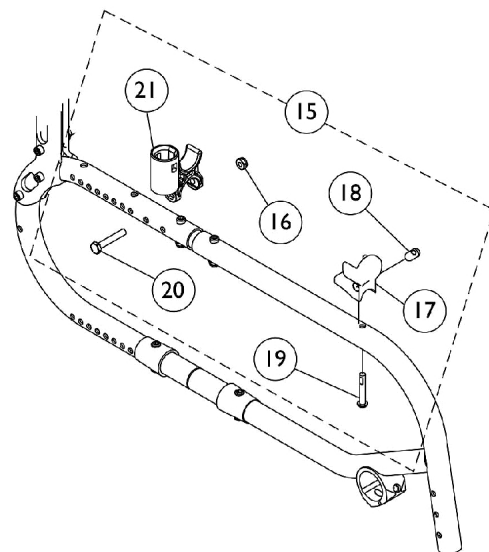
18" Deep	19" Deep	20" Deep	21" Deep	22" Deep
8881136665	8881136666	8881136667	8881136668	8881136669
Specify frame finish when ordering.				

# Frames and Frame Hardware - Fixed Front

Transport Ready Chairs (TRRO) requiring Frames and/or Frame Hardware parts must be returned to Invacare for service.



**Seat Guide Hardware for  
Swingaway Padded Arms  
and "T" Arms**



**Seat Guide Hardware for  
Conventional Adjustable Height Arms**



## Frames and Frame Hardware - Fixed Front

Transport Ready Chairs (TRRO) requiring Frames and/or Frame Hardware parts must be returned to Invacare for service.

Item Number	Note	Part Number	Description	Quantity Per	
				Package	Assembly
1	A	1130541	Kit, Frame Hardware	1	1
2			Screw, Socket Head (1/4-28 x 1-1/4")	1	8
3			Tube, Upper Frame, Black	1	2
4			Locknut (1/4-28)	1	8
5			Tube, Lower Frame	1	2
6			Cap, End, Black Crossbrace	1	4
7	B	8881127987	Frame, Rear, Color	1	1
8	B,C	See Chart	#8 Front Frames - 70 Degree	1	1
8	B,C	See Chart	#8 Front Frames - 80 Degree	1	1
9	D	1136559	Kit, Seat Guide Hardware	1	1
10			NLA - Screw, Phillips Oval Head (#10-32 x 1")	1	2
11			Clamp, Seat	1	2
12			H-Block, Front - Right	1	1
12			H-Block, Front - Left	1	1
13			Pin, Threaded (3/8" x 3/4")	1	2
14			Screw, Socket Button Head w/ Patch (1/4-20 x 3/4")	1	2
15	E	1136560	Kit, Seat Guide Hardware	1	1
16			Locknut (1/4-28)	1	2
17			H-Block, Front - Right	1	1
17			H-Block, Front - Left	1	1
18			Pin, Threaded (3/8" x 3/4")	1	2
19			Screw, Socket Button Head w/ Patch (1/4-20 x 3/4")	1	2
20			Screw, Hex Head (1/4-28 x 1-5/8")	1	2
21			Socket, Arm	1	2

NOTE: A - Includes items 2 thru 6.  
 B - Specify frame finish when ordering.  
 C - Front Frames include the "X4" and Invacare logo decals. See Decal category for individual decal part nos.  
 D - Chairs with Swingaway Half Arms or "T" Arms. Includes items 10 thru 14.  
 E - Chairs with Conventional Adjustable Height Arms. Includes items 16 thru 21.

# Frames and Frame Hardware - Fixed Front

Transport Ready Chairs (TRRO) requiring Frames and/or Frame Hardware parts must be returned to Invacare for service.

## #8 Front Frames - 70 Degree

Includes Frame and "X4" and Invacare logo decals

14" Deep	15" Deep	16" Deep	17" Deep	18" Deep	19" Deep	20" Deep
8881136568-NL A	8881136569	8881136570-NL A	8881136571	8881136572-NL A	8881136573-NL A	8881136574-NL A
See Note(s) A	See Note(s) A	See Note(s) A	See Note(s) A	See Note(s) A	See Note(s) A	See Note(s) A

NOTE: A - Specify frame finish when ordering.

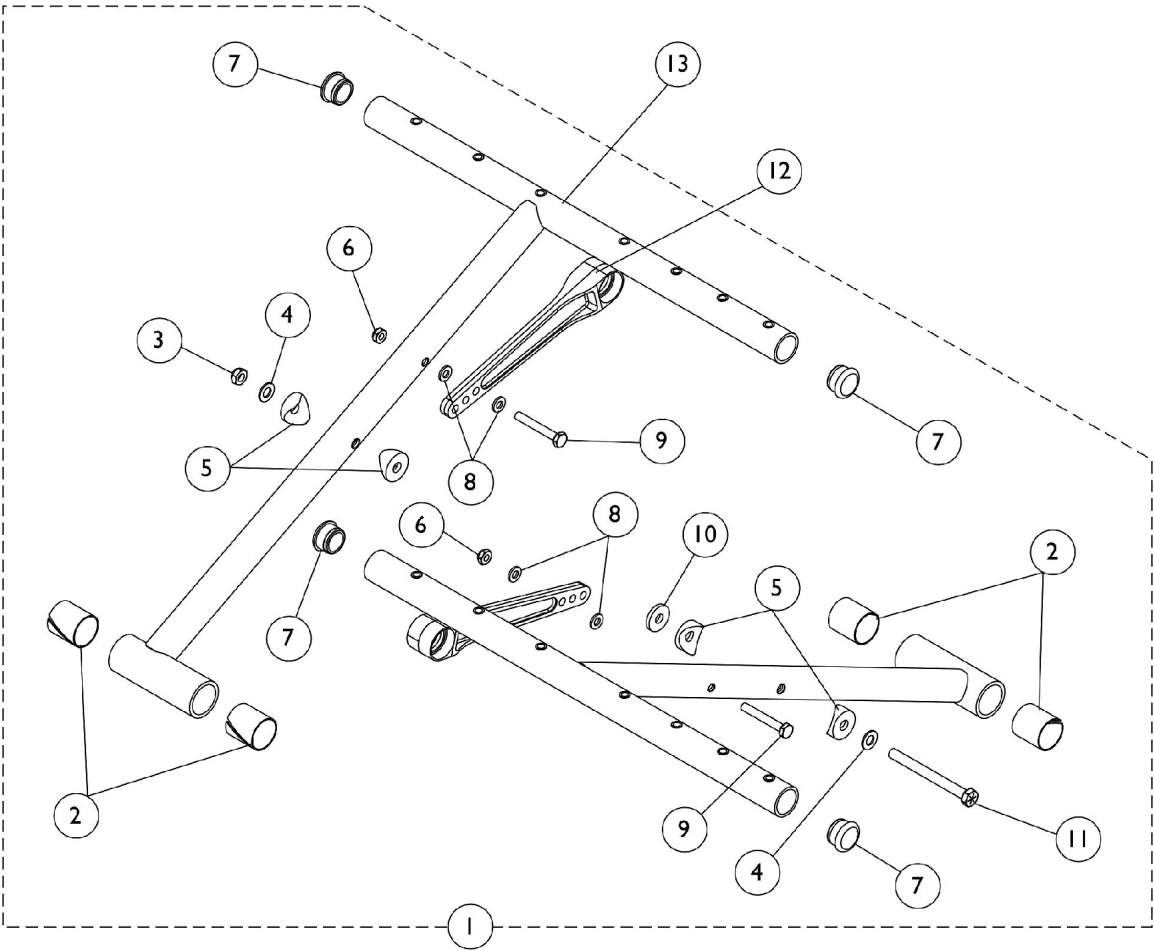
## #8 Front Frames - 80 Degree

Includes Frame and "X4" and Invacare logo decals

14" Deep	15" Deep	16" Deep	17" Deep	18" Deep	19" Deep	20" Deep
8881136561	8881136562	8881136563	8881136564	8881136565	8881136566	8881136567
See Note(s) A	See Note(s) A	See Note(s) A	See Note(s) A	See Note(s) A	See Note(s) A	See Note(s) A

NOTE: A - Specify frame finish when ordering.

# Crossbraces and Hardware - Non-Heavy Duty



## Crossbraces and Hardware - Non-Heavy Duty

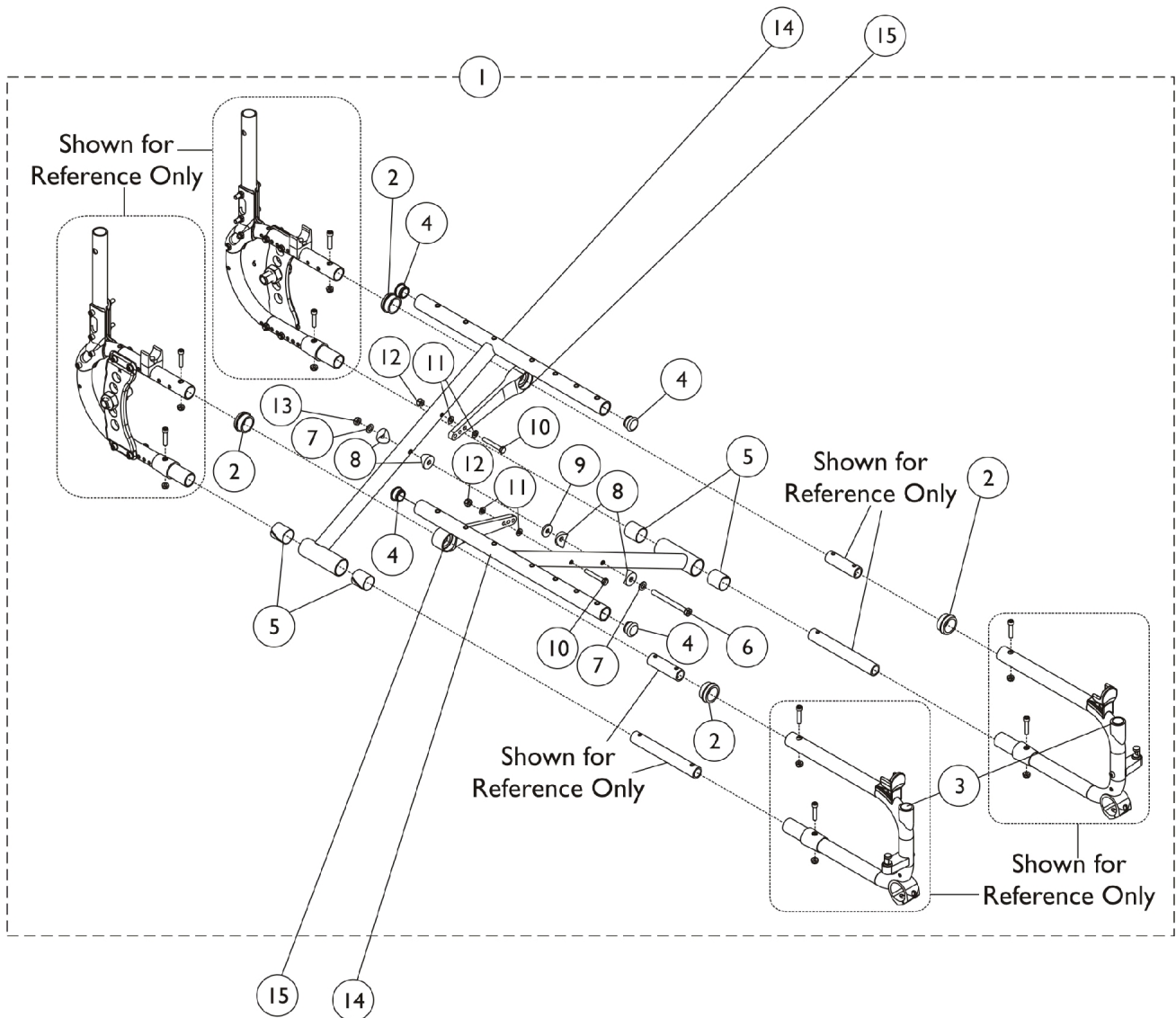
Item Number	Note	Part Number	Description	Quantity Per	
				Package	Assembly
1	A	1130544	Kit, Crossbrace Hardware	1	1
2			Sleeve, Bearing	1	4
3			Locknut (5/16-24)	1	1
4			Washer, Flat (5/16 x 5/8 x 1/16")	1	2
5			Spacer, Coved (3/4 x 1 x 1/2")	1	4
6			Locknut (1/4-28)	1	2
7			Plug Button, Black (1")	1	4
8			NLA - Washer (1/4 x 5/8 x 1/16")	1	4
9			Screw, Hex Head (1/4-28 x 1-3/4")	1	2
10			Washer, Nylon (5/16 x 7/8 x 1/8")	1	1
11			NLA - Screw, Hex Head (5/16-24 x 3-1/4")	1	1
12	B	1131374	Link, Pivot, Black (14 - 15" W)	1	2
12	C	1128054	Link, Pivot, Black (16 - 17" W)	1	2
12	D	1128055	Link, Pivot, Black (18 - 20" W)	1	2
13		See Chart	#13 Crossbraces - Non Heavy Duty	1	1
NOTE: A - Includes items 2-11 B - Non Heavy Duty, 14-15" Wide chairs C - Non Heavy Duty, 16-17" Wide chairs D - Non Heavy Duty, 18-20" Wide chairs					

# Crossbraces and Hardware - Non-Heavy Duty

## #13 Crossbraces - Non Heavy Duty

Chair Depth	14" Wide	15" Wide	16" Wide	17" Wide	18" Wide	19" Wide	20" Wide
14" - Right	1130413	1130423	1130433	1130443	1130453	N/A	N/A
14" - Left	1130414	1130424	1130434	1130444	1130454	N/A	N/A
15" - Right	1130415	1130425	1130435	1130445	1130455	N/A	N/A
15" - Left	1130416	1130426	1130436	1130446	1130456	N/A	N/A
16" - Right	1130417	1130427	1130437	1130447	1130457	1130467	1130477
16" - Left	1130418	1130428	1130438	1130448	1130458	1130468	1130478
17" - Right	1130419	1130429	1130439	1130449	1130459	1130469	1130479
17" - Left	1130420	1130430	1130440	1130450	1130460	1130470	1130480
18" - Right	1130421	1130431	1130441	1130451	1130461	1130471	1130481
18" - Left	1130422	1130432	1130442	1130452	1130462	1130472	1130482
19" - Right	N/A	N/A	N/A	N/A	1130463	1130473	1130483
19" - Left	N/A	N/A	N/A	N/A	1130464	1130474	1130484
20" - Right	N/A	N/A	N/A	N/A	1130465	1130475	1130485
20" - Left	N/A	N/A	N/A	N/A	1130466	1130476	1130486

# Crossbraces and Hardware - Heavy Duty



## Crossbraces and Hardware - Heavy Duty

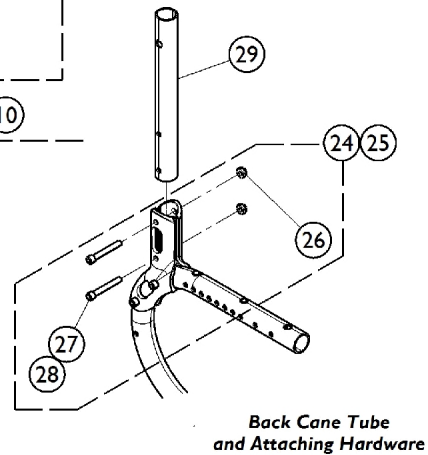
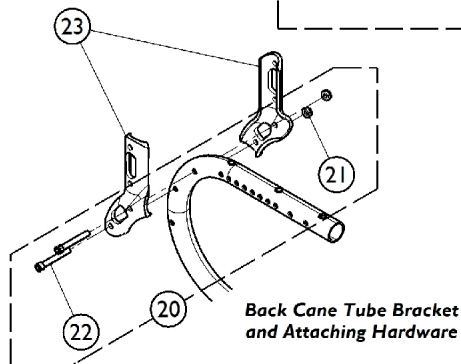
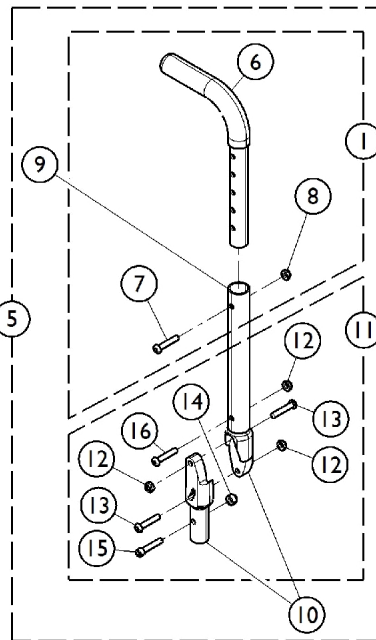
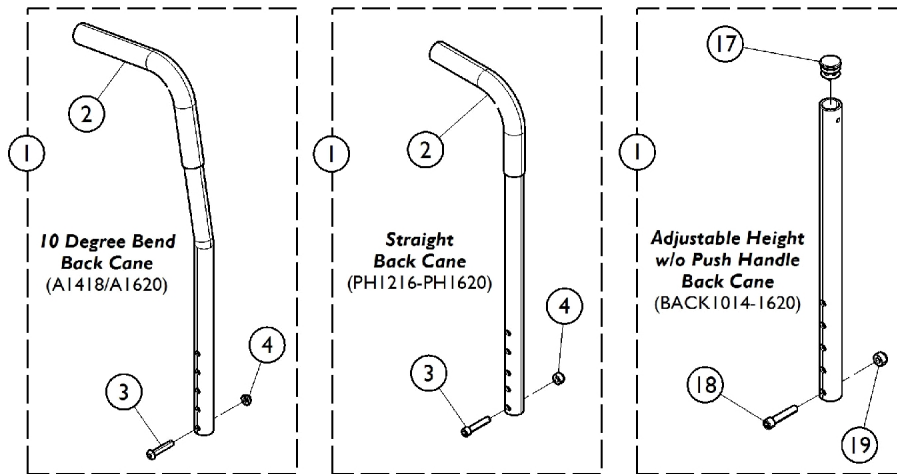
Item Number	Note	Part Number	Description	Quantity Per	
				Package	Assembly
1		1136670	Hardware, Crossbrace, Heavy-Duty	1	1
2		1134175	Bearing, Link Pivot	1	4
4		1056328	Plug Button, Black (1")	1	4
5		1018687	Sleeve, Bearing	1	4
6		1025705-NLA	NLA - Screw, Hex Head (5/16-24 x 3-1/4")	1	1
7		1025704	Washer, Flat (5/16 x 5/8 x 1/16")	1	2
8		1016263	Spacer, Coved (3/4 x 1 x 1/2")	1	1
9		1016301	Washer, Nylon (5/16 x 7/8 x 1/8")	1	1
10		1055348	Screw, Hex Head (1/4-28 x 1-3/4")	1	2
11		1026106-NLA	NLA - Washer (1/4 x 5/8 x 1/16")	1	4
12		1025765	Locknut (1/4-28)	1	2
13		1025730	Locknut (5/16-24)	1	1
14	A	See Chart	#14 Crossbraces - Heavy Duty	1	1
15		1142172	Link, Pivot, Black (18 - 20" W)	1	1
16		1142173	Link, Pivot, Black (20 - 22" W)	1	1

NOTE: A - Includes items 1-13.

### #14 Crossbraces - Heavy Duty

Chair Depth	18" Wide	19" Wide	20" Wide	22" Wide
18" - Right	1136630	1136636	1136642	60125715
18" - Left	1136631	1136637	1136643	60125716
19" - Right	1136632	1136638	1136644	60125717
19" - Left	1136633	1136639	1136645	60125718
20" - Right	1136634	1136640	1136646	60125720
20" - Left	1136635	1136641	1136647	60125719
21" - Right	N/A	N/A	1136648	60125721
21" - Left	N/A	N/A	1136649	60125722
22" - Right	N/A	N/A	1136650	1136652
22" - Left	N/A	N/A	1136651	1136653

# Back Canes, Back Tube Bracket, and Hardware





## Back Canes, Back Tube Bracket, and Hardware

Item Number	Note	Part Number	Description	Quantity Per	
				Package	Assembly
1		See Chart	#1 Back Canes	1	1
2		1006229	Grip, Foam (8")	1	1
3		1003545	Screw, Socket Head (1/4-20 x 1-1/4")	1	1
4		1025736	Locknut (1/4-20)	1	1
5	A,C	1113510	Adjustable Angle Back Cane Assembly	1	1
5	B,C	1113511	Adjustable Angle Back Cane Assembly	1	1
6		1028429-NLA	NLA - Grip, Foam (6")	1	1
7		1055309	Screw, Socket Button Head (1/4-28 x 1-1/4")	1	2
8		1025736	Locknut (1/4-20)	1	1
9	A	1113508	Cane, Back, Black (12 - 16" H)	1	1
9	B	1113509	Cane, Back, Black (17 - 20" H)	1	1
10		1114702-NLA	NLA - Insert, Back Cane, Black	1	2
11	D	1130575	Kit, Adjustable Angle Back Cane Hardware	1	1
12			Locknut (1/4-28)	1	3
13			NLA - Screw, Socket Button Head (1/4-28 x 1-1/4")	1	2
14			Locknut (1/4-20)	1	1
15			Screw, Socket Head (1/4-20 x 1-1/4")	1	1
16			Screw, Socket Button Head (1/4-28 x 1-1/4")	1	1
17		1027097	Plug Button, Black (3/4")	1	1
18		1003545	Screw, Socket Head (1/4-20 x 1-1/4")	1	1
19		1025195	NLA - Locknut (1/4-20)	1	1
20	E	1130531	Kit, Back Cane Tube Bracket Hardware	1	1
21			Locknut (1/4-28)	1	4
22			Screw, Socket Head (1/4-28 x 1-3/4")	1	4
23	I,L	8881130518	Bracket, Back Cane Tube, Color - Right	1	1
23	I,L	8881130519	Bracket, Back Cane Tube, Color - Left	1	1
23	F,L	1127990	Bracket, Back Cane Tube, Silver - Right	1	1
23	F,L	1127991	Bracket, Back Cane Tube, Silver - Left	1	1
24	G	1130533	Kit, Back Cane Tube Attaching Hardware	1	1
26			Locknut (1/4-28)	1	4
27			Screw, Socket Head (1/4-28 x 2")	1	4
25	H	1130534	Kit, Back Cane Tube Attaching Hardware	1	1
26			Locknut (1/4-28)	1	4
28			Screw, Socket Head (1/4-28 x 1-3/4")	1	4
29	I,J	8881128013	Cane, Back, Color	1	1
29	K	1130492	Cane, Back, Black	1	1

# Back Canes, Back Tube Bracket, and Hardware

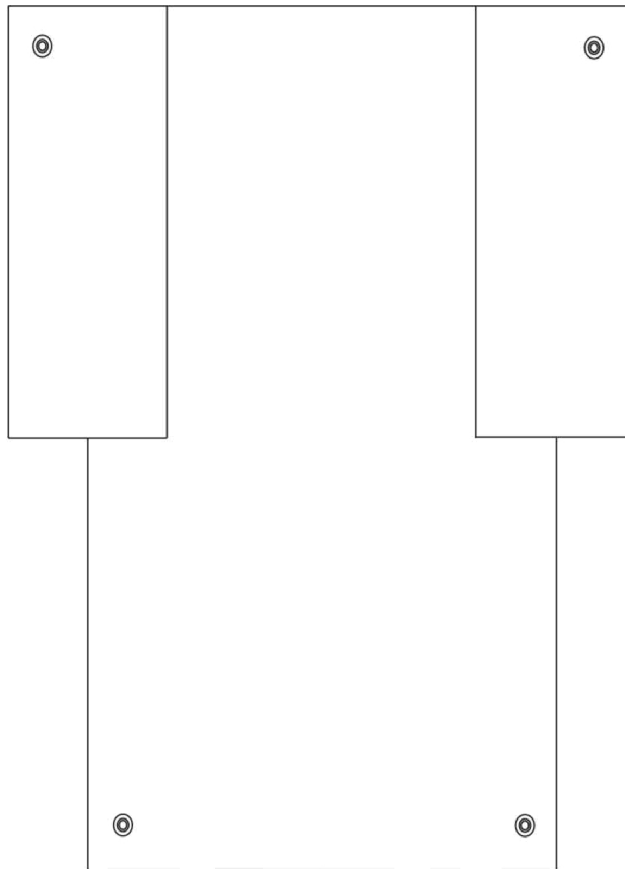
NOTE: A - 12-16" High  
 B - 17-20" High  
 C - Includes items 1, 9-11. If converting chair to Adjustable Angle Back Canes, item 29 (Back Cane Tube) must be ordered in addition to item 5.  
 D - Includes items 12-16  
 E - Includes items 21-22  
 F - Clear Coat Anodized is used on chairs with Sport Performance Package (p/n 1130626). See Miscellaneous Accessories for further details.  
 G - Used on chairs with Conventional Adj. Height and Swingaway Half Arms (AT99). Includes items 26-27.  
 H - Used on chairs with "T" Arms and chairs with "Less" Arms. Includes items 26 & 28.  
 I - Specify frame finish when ordering.  
 J - Used on all back canes except Adjustable Angle Back.  
 K - Used on Adjustable Angle Back Canes only.  
 L - Must order both Right and Left Brackets for one Back Cane if complete Mounting Bracket is needed.

## #1 Back Canes

Back Cane Style	Description	Part Number
A1418	10 Degree Bend Cane w/ Push Handle 14-18" High	1094586 See Note(s) A
A1620	10 Degree Bend Cane w/ Push Handle 20" High	1094587 See Note(s) A
PH1216	Straight Cane w/ Push Handle 12-16" High	1094925 See Note(s) A
PH1418	Straight Cane w/ Push Handle 14-18" High	1094926 See Note(s) A
PH1620	Straight Cane w/ Push Handle 16-20" High	1130571 See Note(s) A
AAB1216 / AAB1720	Adjustable Angle Back Cane 12-16" & 17-20" High	1113533 See Note(s) B
BACK1014	Adjustable Height w/o Push Handle 10-14" High	1094588 See Note(s) C
BACK1216	Adjustable Height w/o Push Handle 12-16" High	1130561 See Note(s) C
BACK1418	Adjustable Height w/o Push Handle 14-18" High	1130564 See Note(s) C
BACK1620	Adjustable Height w/o Push Handle 16-20" High	1130567 See Note(s) C

NOTE: A - Includes Back Cane and items 2-4.  
 B - Includes Back Cane and items 6-8.  
 C - Includes Back Cane and items 17-19.

# Slip On Back Upholstery



Back Upholstery -  
- Nylon

## Back Upholstery Hardware Kit

Item Number	Note	Part Number	Description	Quantity Per	
				Package	Assembly
	A	1026298	Package, Screw with Washer (#10 x 7/8") (Pair)	2	1
	A	See Chart	Back Upholstery - Slip On	1	1

NOTE: A - Not Shown

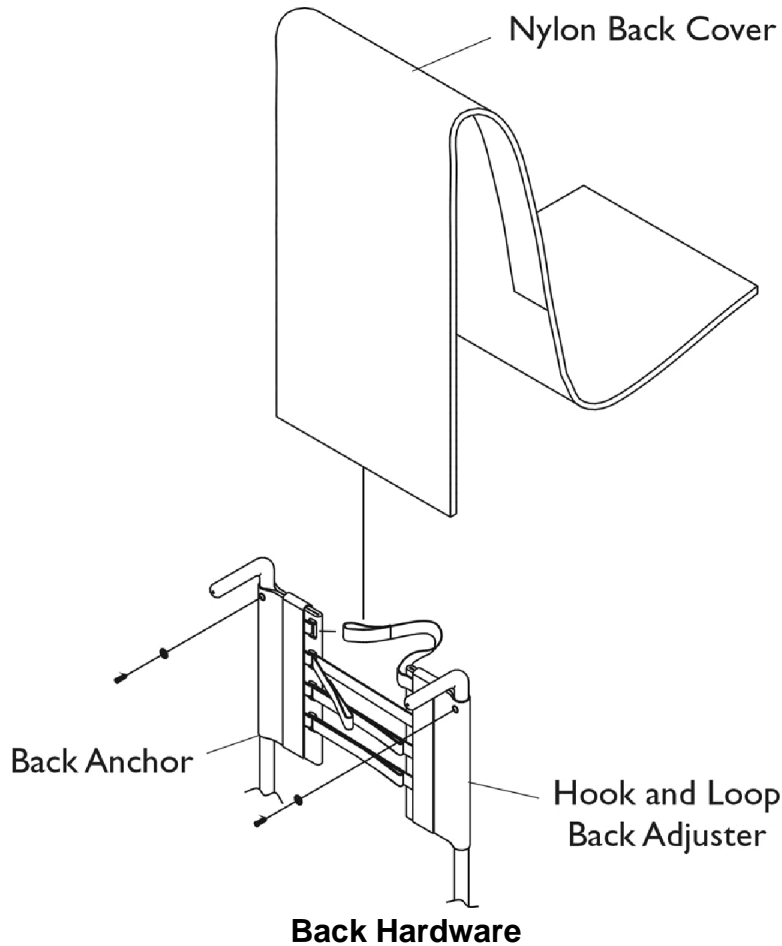
# Slip On Back Upholstery

## Back Upholstery - Slip On

Chair Width	10-14" High	12-16" High	14-18" / 16-20" & 17-20" High
14"	1044914-NLA	1028143	1028141
15"	1044915-NLA	1028146	1028144
16"	1044916-NLA	1028149	1028147
17"	1028151	1028151	1028150
18"	1028154	1028154	1028153
19"	1028157	1028157	1028156
20"	1028160	1028160	1028159
22"	1108320-NLA	1108320-NLA	1108321

# Adjustable Tension Back Upholstery

Back Assembly numbers are not available. Back components must be ordered individually.



Item Number	Note	Part Number	Description	Quantity Per	
				Package	Assembly
	A	1026298	Package, Screw with Washer (#10 x 7/8") (Pair)	2	1
	A,B	1039470-NLA	NLA - Instruction Sheet, Adjustable Tension Back Upholstery	1	1
	A	See Chart	Back Upholstery - Adjustable Tension	1	1

NOTE: A - Not Shown  
 B - Item is no longer available from the Invacare Service Parts Department. Refer to the Invacare Website under "Product Literature Search". Enter the part number in the "Keywords" field and download a free PDF version copy.

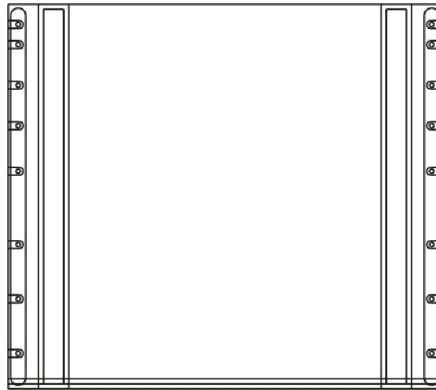
# Adjustable Tension Back Upholstery

Back Assembly numbers are not available. Back components must be ordered individually.

## Back Upholstery - Adjustable Tension

Back Height	Seat Width	Back Anchor	Hook & Loop Adjuster	Back Cover
10-14"	14"	1037927	1037936-NLA	1037929
10-14"	15"	1037927	1037936-NLA	1037930
10-14"	16"	1037927	1037936-NLA	1037931
10-14"	17"	1037927	1037928	1037932
10-14"	18"	1037927	1037928	1037933
10-14"	19"	1037927	1037937	1037934
10-14"	20"	1037927	1037937	1037935
12-16"	14"	1037916	1037925	1037918
12-16"	15"	1037916	1037925	1037919
12-16"	16"	1037916	1037925	1037920
12-16"	17"	1037916	1037917	1037921
12-16"	18"	1037916	1037917	1037922
12-16"	19"	1037916	1037926	1037923
12-16"	20"	1037916	1037926	1037924
14-18"	14"	1037720-NLA	1037736	1037722
14-18"	15"	1037720-NLA	1037736	1037723
14-18"	16"	1037720-NLA	1037736	1037724
14-18"	17"	1037720-NLA	1037721	1037725
14-18"	18"	1037720-NLA	1037721	1037726
14-18"	19"	1037720-NLA	1037737	1037727
14-18"	20"	1037720-NLA	1037737	1037728
16-20" / 17-20"	14"	1046731	1046732	1046735-NLA
16-20" / 17-20"	15"	1046731	1046732	1046736
16-20" / 17-20"	16"	1046731	1046732	1046737
16-20" / 17-20"	17"	1046731	1046733	1046738
16-20" / 17-20"	18"	1046731	1046733	1046739
16-20" / 17-20"	19"	1046731	1046734	1046740
16-20" / 17-20"	20"	1046731	1046734	1046741

# Seat Upholstery



## Seat Upholstery Sail Cloth

### Seat Upholstery - Sail Cloth - Non Heavy Duty

Chair Width	14" Deep	15" Deep	16" Deep	17" Deep	18" Deep	19" Deep	20" Deep
14"	1032080	1032081	1032082	1032083	1032084	N/A	N/A
15"	1032085	1032086	1032087	1032088	1032089	N/A	N/A
16"	1032090	1032091	1032092	1032093	1032094	N/A	N/A
17"	1032095	1032096	1032097	1032098	1032099	N/A	N/A
18"	1032100	1032101	1032102	1032103	1032104	1111857	1111858
19"	N/A	N/A	1032105	1032106	1032107	1111859	1111860
20"	N/A	N/A	1032108	1032109	1032110	1111861	1111862

# Seat Upholstery

## Seat Upholstery - Heavy Duty

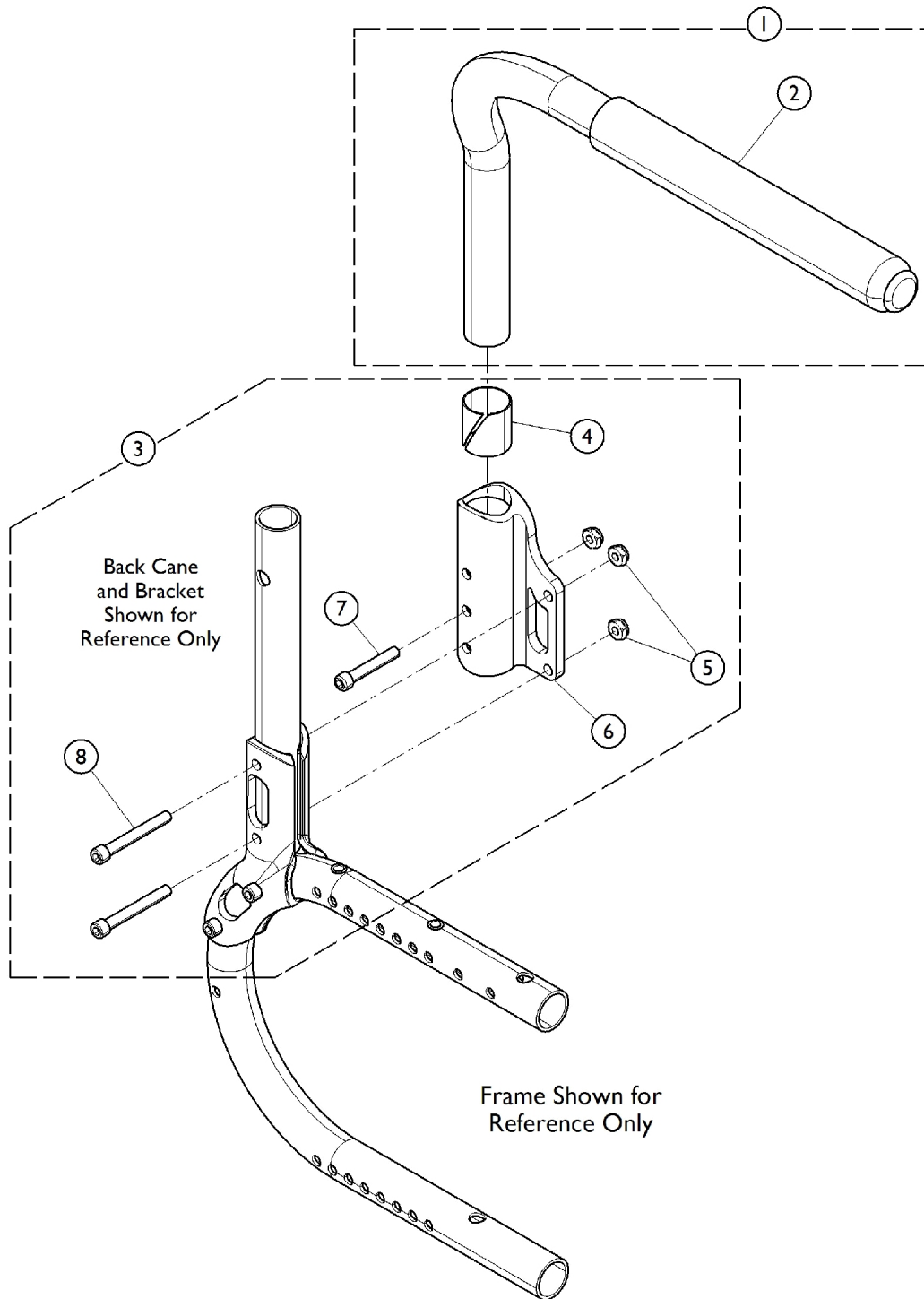
Chair Width	18" Deep	19" Deep	20" Deep	21" Deep	22" Deep
18"	1107534	1111869	1111838	N/A	N/A
19"	1107537	1111839	1111840	N/A	N/A
20"	1107540	1107541	1107542	1107543	1107544-NLA
22"	60125703	60125704	60125705	60125706	1107545

## Seat Upholstery Hardware Kit

Chair Style	Hardware Kit	Screw Quantity/Size
Non Heavy Duty	1046294-NLA	16 ea. (#10-32 x 3/4")
Heavy Duty	1076845	18 ea. (#10-16 x 7/8")



# Swingaway Half Arms (AT99)

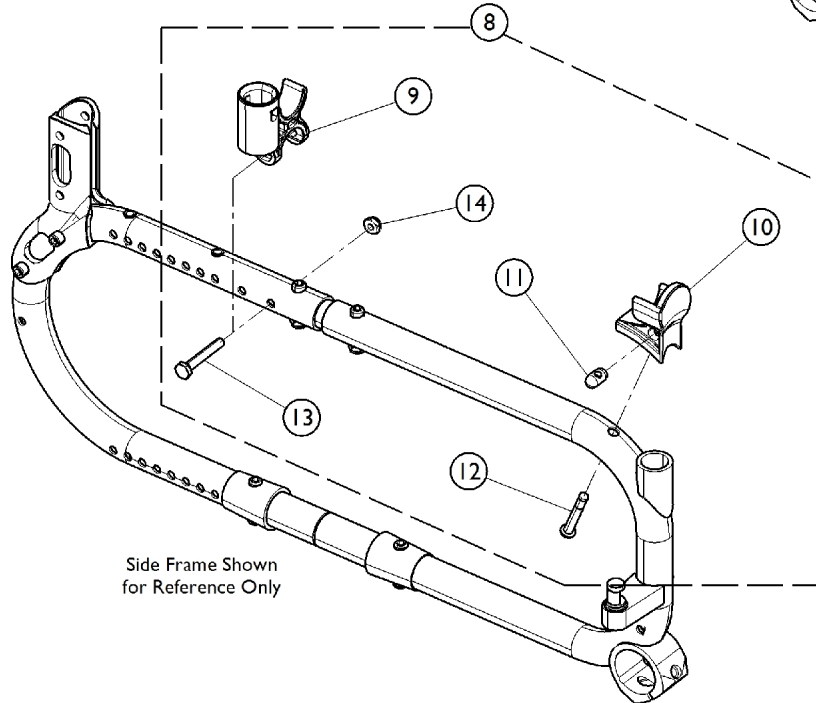
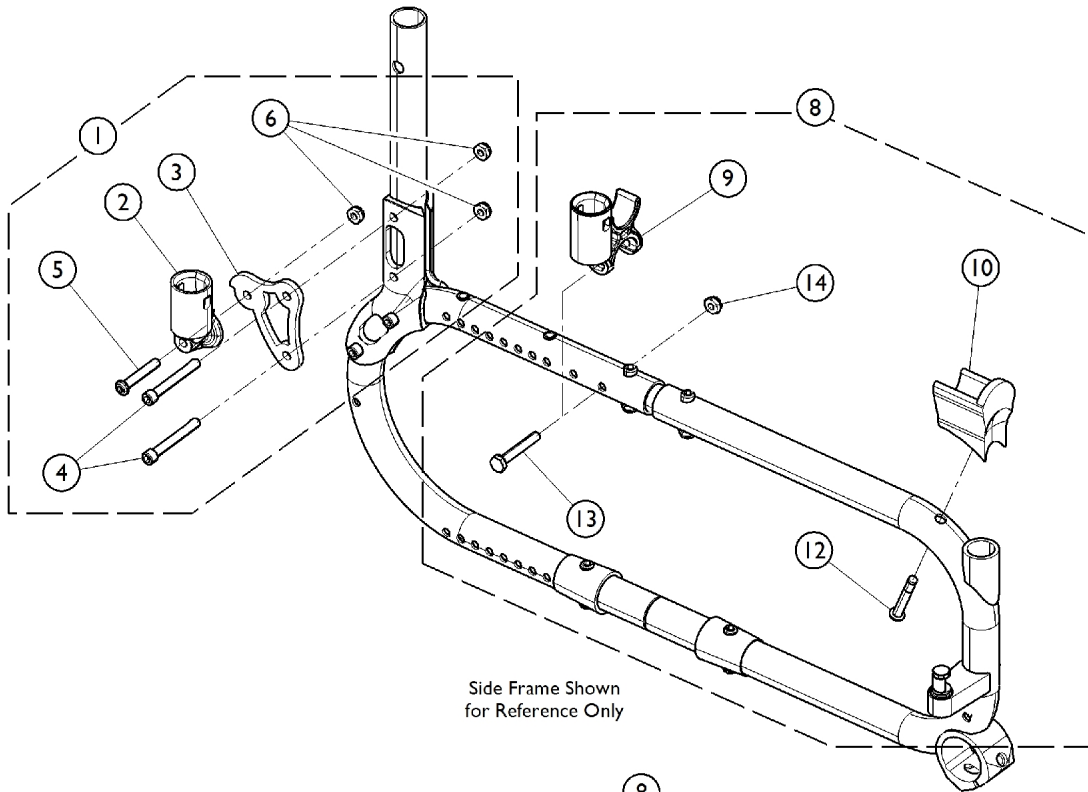


## Swingaway Half Arms (AT99)

Item Number	Note	Part Number	Description	Quantity Per	
				Package	Assembly
1	A	1130576	Half Arm Assembly, Black - Right	1	1
1	A	1130577	Half Arm Assembly, Black - Left	1	1
2		1032244	Grip, Foam Hand (9" L)	1	2
3	B	1130578	Kit, Half Arm Hardware	2	1
4			Sleeve, Bearing	1	2
5			Locknut (1/4-28)	1	6
6			Socket, Arm - Right	1	1
6			Socket, Arm - Left	1	1
7			Screw, Socket Head (1/4-28 x 1-3/4")	1	2
8			Screw, Socket Head (1/4-28 x 2")	1	4
NOTE: A - Includes item 2, Foam Grip B - Includes items 4-8					

# Arm Attaching Hardware

## Conventional Adjustable Height Arms



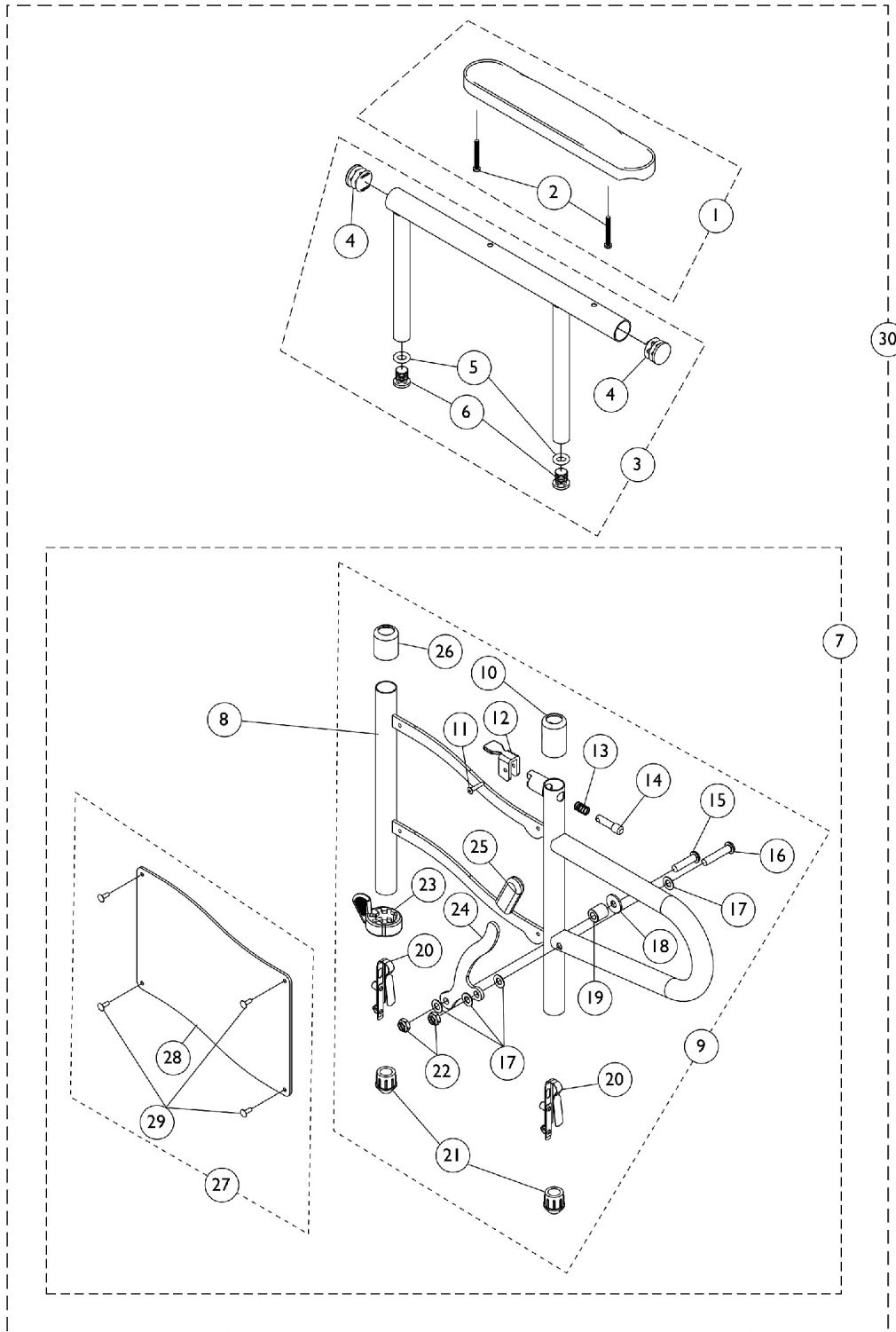
## Arm Attaching Hardware Conventional Adjustable Height Arms

Item Number	Note	Part Number	Description	Quantity Per	
				Package	Assembly
1	A	1130579	Kit, Rear Arm Socket Hardware	1	1
2			Cup, Socket Pivot	1	2
3			NLA - Bracket, Arm Mounting, Black	1	2
4			Screw, Socket Head (1/4-28 x 2")	1	4
5			Screw, Socket Button Head (1/4-28 x 1-1/2")	1	2
6			Locknut (1/4-28)	1	6
8	B	1139450	Kit, Seat Guide Hardware	1	1
9			Socket, Arm	1	2
10			H-Block, Front - Right	1	1
10			H-Block, Front - Left	1	1
12			Screw, Hex Head (1/4-28 x 1-5/8")	1	2
13			Screw, Socket Button Head w/ Patch (1/4-20 x 3/4")	1	2
14	C	1130543	Locknut (1/4-28)	1	2
8			Kit, Seat Guide Hardware	1	1
9			Socket, Arm	1	2
10			H-Block, Front - Right	1	1
10			H-Block, Front - Left	1	1
11			Pin, Threaded (3/8" x 3/4")	1	2
12			Screw, Socket Head (1/4-28 x 1-1/2")	1	2
13			Screw, Hex Head (1/4-28 x 1-5/8")	1	2
14	Locknut (1/4-28)	1	2		

NOTE: A - Includes items 2-6.  
 B - For Heavy Duty Chairs with Conventional Adjustable Height Arms. Includes items 9, 10, and 12-14.  
 C - For Non Heavy Duty Chairs with Conventional Adjustable Height Arms. Includes items 9-14.

# Conventional Adjustable Height Arms

Due to quality improvements, items 7, 8, 9, and 30 must be replaced in pairs for chairs built before 11/01/06. For chairs built after 10/31/06, those items may still be ordered for a specified right or left.



## Conventional Adjustable Height Arms

Due to quality improvements, items 7, 8, 9, and 30 must be replaced in pairs for chairs built before 11/01/06. For chairs built after 10/31/06, those items may still be ordered for a specified right or left.

Item Number	Note	Part Number	Description	Quantity Per	
				Package	Assembly
1	A	8881053570	Kit, Arm Pad w/ Screws, Desk Length (Pair)	2	1
1	A	8881053571	Kit, Arm Pad w/ Screws, Full Length (Pair)	2	1
2		1055949	Package, Screw, Phillips Pan Head (#10-32 x 1-3/8")	2	1
3	B	1132503	Arm Tube Assembly w/ Plug Buttons, Desk Length, Black - Right/Left	1	1
3	B	1132504	Arm Tube Assembly w/ Plug Buttons, Full Length, Black - Right/Left	1	1
4	G	1130582	Package, Plug Button, Black (7/8")	10	1
5	G	1142473-NLA	NLA - Package, O-Rings #204 (23/64" x 41/64" x 9/64")	10	1
6	G	1130583	Package, Plug Button, Black (5/8")	10	1
7	C,D	1132501	Arm Base Assembly, Conventional Adj. Height - Right	1	1
8			Arm Base, Conventional, Black - Right/Left	1	1
10			Anti-Rattle	1	1
11			NLA - Rivet, Aluminum (1/8")	1	1
12			Handle, Release, Black	1	1
13			Spring, Arm Lock	1	1
14			Pin, Arm Lock, Black	1	1
15			NLA - Screw, Allen Button Head (1/4-28 x 1")	1	1
16			NLA - Screw, Socket Button Head (1/4-28 x 1-1/4")	1	1
17			Washer, Nylon (1/4 x 1/2 x 1/32")	1	4
18			Washer (1/4 x 23/32 x 1/16")	1	1
19			NLA - Spacer (1/4 x 1/2 x 1/2")	1	1
20			Spring, Torsion with Button Lock	1	2
21			Plug, Armrest, Black (3/4") (20GA)	1	2
22			Locknut (1/4-28)	1	2
23			Handle, Quad Release	1	1
24			Bracket, Release Handle, Black	1	1
25			Tip, Plastic, Black	1	1
26			NLA - Anti-Rattle	1	1
28			NLA - Guard, Clothing - Right	1	1
29			Rivet	1	4
7	C,D	1132502	Arm Base Assembly, Conventional Adj. Height - Left	1	1
8			Arm Base, Conventional, Black - Right/Left	1	1
10			Anti-Rattle	1	1
11			NLA - Rivet, Aluminum (1/8")	1	1
12			Handle, Release, Black	1	1
13			Spring, Arm Lock	1	1
14			Pin, Arm Lock, Black	1	1
15			NLA - Screw, Allen Button Head (1/4-28 x 1")	1	1
16			NLA - Screw, Socket Button Head (1/4-28 x 1-1/4")	1	1
17			Washer, Nylon (1/4 x 1/2 x 1/32")	1	4

# Conventional Adjustable Height Arms

Due to quality improvements, items 7, 8, 9, and 30 must be replaced in pairs for chairs built before 11/01/06. For chairs built after 10/31/06, those items may still be ordered for a specified right or left.

Item Number	Note	Part Number	Description	Quantity Per	
				Package	Assembly
18			Washer (1/4 x 23/32 x 1/16")	1	1
19			NLA - Spacer (1/4 x 1/2 x 1/2")	1	1
20			Spring, Torsion with Button Lock	1	2
21			Plug, Armrest, Black (3/4") (20GA)	1	2
22			Locknut (1/4-28)	1	2
23			Handle, Quad Release	1	1
24			Bracket, Release Handle, Black	1	1
25			Tip, Plastic, Black	1	1
26			NLA - Anti-Rattle	1	1
28			Guard, Clothing - Left	1	1
29			Rivet	1	4
8	D	1132484	Arm Base, Conventional, Black - Right/Left	1	1
9	D,I	1130581	Kit, Arm Base Hardware	1	1
10			Anti-Rattle	1	1
11			NLA - Rivet, Aluminum (1/8")	1	1
12			Handle, Release, Black	1	1
13			Spring, Arm Lock	1	1
14			Pin, Arm Lock, Black	1	1
15			NLA - Screw, Allen Button Head (1/4-28 x 1")	1	1
16			NLA - Screw, Socket Button Head (1/4-28 x 1-1/4")	1	1
17			Washer, Nylon (1/4 x 1/2 x 1/32")	1	4
18			Washer (1/4 x 23/32 x 1/16")	1	1
19			NLA - Spacer (1/4 x 1/2 x 1/2")	1	1
20			Spring, Torsion with Button Lock	1	2
21			Plug, Armrest, Black (3/4") (20GA)	1	2
22			Locknut (1/4-28)	1	2
23			Handle, Quad Release	1	1
24			Bracket, Release Handle, Black	1	1
25			Tip, Plastic, Black	1	1
26			NLA - Anti-Rattle	1	1
25	H	1127688	Package, Plastic Tip, Black	10	1
27	E	1130580-NLA	NLA - Kit, Clothing Guard	1	1
28			NLA - Guard, Clothing - Right	1	1
28			Guard, Clothing - Left	1	1
29			Rivet	1	8
30	D,F	8881130613	Arm Assembly, Conventional Adj. Height Desk Length - Right	1	1
1			Arm Pad, Desk Length w/ Law Label	1	1
2			Package, Screw, Phillips Pan Head (#10-32 x 1-3/8")	2	1
3			Tube, Arm, Desk Length, Black	1	1
4			Plug Button, Black (7/8")	1	2
5			O-Ring (23/64" x 41/64" x 9/64")	1	2

# Conventional Adjustable Height Arms

Due to quality improvements, items 7, 8, 9, and 30 must be replaced in pairs for chairs built before 11/01/06. For chairs built after 10/31/06, those items may still be ordered for a specified right or left.

Item Number	Note	Part Number	Description	Quantity Per	
				Package	Assembly
6			Plug Button, Black (5/8")	1	2
8			Arm Base, Conventional, Black - Right/Left	1	1
10			Anti-Rattle	1	2
11			NLA - Rivet, Aluminum (1/8")	1	1
12			Handle, Release, Black	1	1
13			Spring, Arm Lock	1	1
14			Pin, Arm Lock, Black	1	1
15			NLA - Screw, Allen Button Head (1/4-28 x 1")	1	1
16			NLA - Screw, Socket Button Head (1/4-28 x 1-1/4")	1	1
17			Washer, Nylon (1/4 x 1/2 x 1/32")	1	4
18			Washer (1/4 x 23/32 x 1/16")	1	1
19			NLA - Spacer (1/4 x 1/2 x 1/2")	1	1
20			Spring, Torsion with Button Lock	1	2
21			Plug, Armrest, Black (3/4") (20GA)	1	2
22			Locknut (1/4-28)	1	2
23			Handle, Quad Release	1	1
24			Bracket, Release Handle, Black	1	1
25			Tip, Plastic, Black	1	1
26			NLA - Anti-Rattle	1	1
28			NLA - Guard, Clothing - Right	1	1
29			Rivet	1	4
30	D,F	8881130614	Arm Assembly, Conventional Adj. Height Desk Length - Left	1	1
1			Arm Pad, Desk Length w/ Law Label	1	1
2			Package, Screw, Phillips Pan Head (#10-32 x 1-3/8")	2	1
3			Tube, Arm, Desk Length, Black	1	1
4			Plug Button, Black (7/8")	1	2
5			O-Ring (23/64" x 41/64" x 9/64")	1	2
6			Plug Button, Black (5/8")	1	2
8			Arm Base, Conventional, Black - Right/Left	1	1
10			Anti-Rattle	1	1
11			NLA - Rivet, Aluminum (1/8")	1	1
12			Handle, Release, Black	1	1
13			Spring, Arm Lock	1	1
14			Pin, Arm Lock, Black	1	1
15			NLA - Screw, Allen Button Head (1/4-28 x 1")	1	1
16			NLA - Screw, Socket Button Head (1/4-28 x 1-1/4")	1	1
17			Washer, Nylon (1/4 x 1/2 x 1/32")	1	4
18			Washer (1/4 x 23/32 x 1/16")	1	1
19			NLA - Spacer (1/4 x 1/2 x 1/2")	1	1
20			Spring, Torsion with Button Lock	1	2
21			Plug, Armrest, Black (3/4") (20GA)	1	2



# Conventional Adjustable Height Arms

Due to quality improvements, items 7, 8, 9, and 30 must be replaced in pairs for chairs built before 11/01/06. For chairs built after 10/31/06, those items may still be ordered for a specified right or left.

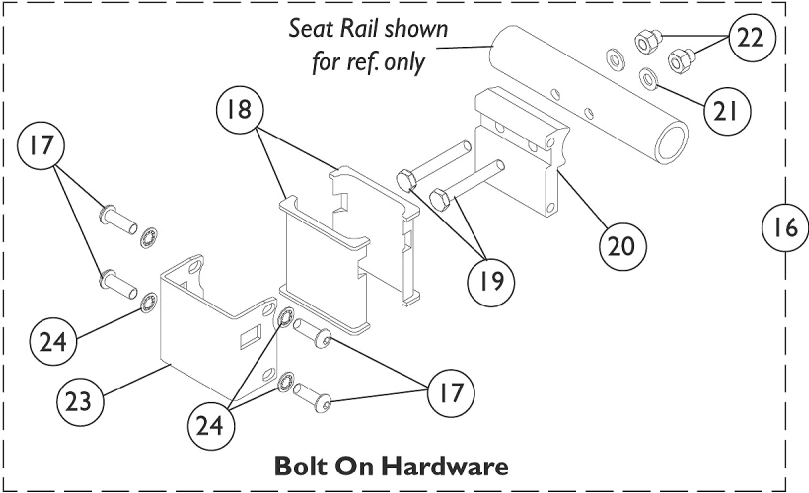
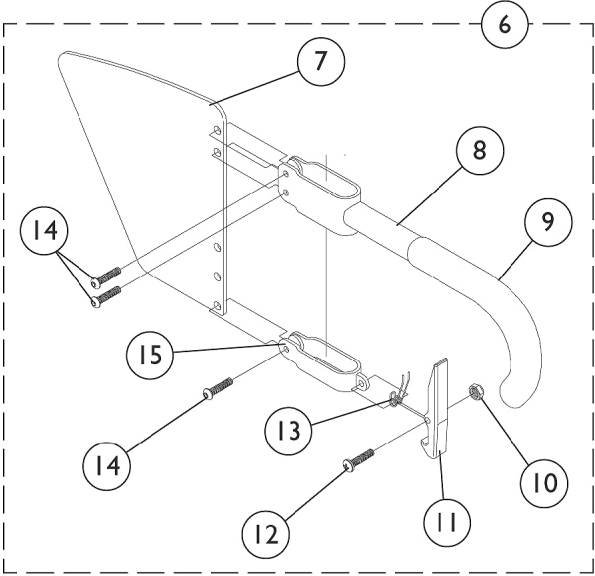
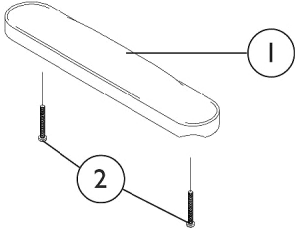
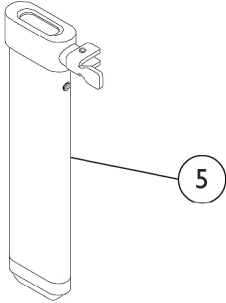
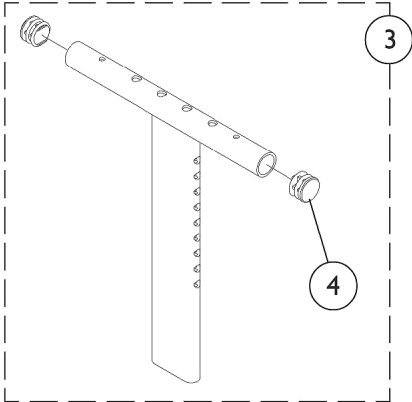
Item Number	Note	Part Number	Description	Quantity Per	
				Package	Assembly
22			Locknut (1/4-28)	1	2
23			Handle, Quad Release	1	1
24			Bracket, Release Handle, Black	1	1
25			Tip, Plastic, Black	1	1
26			NLA - Anti-Rattle	1	1
28			Guard, Clothing - Left	1	1
29			Rivet	1	4
30	D,F	8881130615	Arm Assembly, Conventional Adj. Height Full Length - Right	1	1
1			NLA - Pad, Arm, Full Length w/ Law Label	1	1
2			Package, Screw, Phillips Pan Head (#10-32 x 1-3/8")	2	1
3			Tube, Arm, Full Length, Black	1	1
4			Plug Button, Black (7/8")	1	2
5			O-Ring (23/64" x 41/64" x 9/64")	1	2
6			Plug Button, Black (5/8")	1	2
8			Arm Base, Conventional, Black - Right/Left	1	1
10			Anti-Rattle	1	1
11			NLA - Rivet, Aluminum (1/8")	1	1
12			Handle, Release, Black	1	1
13			Spring, Arm Lock	1	1
14			Pin, Arm Lock, Black	1	1
15			NLA - Screw, Allen Button Head (1/4-28 x 1")	1	1
16			NLA - Screw, Socket Button Head (1/4-28 x 1-1/4")	1	1
17			Washer, Nylon (1/4 x 1/2 x 1/32")	1	4
18			Washer (1/4 x 23/32 x 1/16")	1	1
19			NLA - Spacer (1/4 x 1/2 x 1/2")	1	1
20			Spring, Torsion with Button Lock	1	2
21			Plug, Armrest, Black (3/4") (20GA)	1	2
22			Locknut (1/4-28)	1	2
23			Handle, Quad Release	1	1
24			Bracket, Release Handle, Black	1	1
25			Tip, Plastic, Black	1	1
26			NLA - Anti-Rattle	1	1
28			NLA - Guard, Clothing - Right	1	1
29			Rivet	1	4
30	D,F	8881130616	Arm Assembly, Conventional Adj. Height Full Length - Left	1	1
1			NLA - Pad, Arm, Full Length w/ Law Label	1	1
2			Package, Screw, Phillips Pan Head (#10-32 x 1-3/8")	2	1
3			Tube, Arm, Full Length, Black	1	1
4			Plug Button, Black (7/8")	1	2

# Conventional Adjustable Height Arms

Due to quality improvements, items 7, 8, 9, and 30 must be replaced in pairs for chairs built before 11/01/06. For chairs built after 10/31/06, those items may still be ordered for a specified right or left.

Item Number	Note	Part Number	Description	Quantity Per	
				Package	Assembly
5			O-Ring (23/64" x 41/64" x 9/64")	1	2
6			Plug Button, Black (5/8")	1	2
8			Arm Base, Conventional, Black - Right/Left	1	1
10			Anti-Rattle	1	1
11			NLA - Rivet, Aluminum (1/8")	1	1
12			Handle, Release, Black	1	1
13			Spring, Arm Lock	1	1
14			Pin, Arm Lock, Black	1	1
15			NLA - Screw, Allen Button Head (1/4-28 x 1")	1	1
16			NLA - Screw, Socket Button Head (1/4-28 x 1-1/4")	1	1
17			Washer, Nylon (1/4 x 1/2 x 1/32")	1	4
18			Washer (1/4 x 23/32 x 1/16")	1	1
19			NLA - Spacer (1/4 x 1/2 x 1/2")	1	1
20			Spring, Torsion with Button Lock	1	2
21			Plug, Armrest, Black (3/4") (20GA)	1	2
22			Locknut (1/4-28)	1	2
23			Handle, Quad Release	1	1
24			Bracket, Release Handle, Black	1	1
25			Tip, Plastic, Black	1	1
26			NLA - Anti-Rattle	1	1
28			Guard, Clothing - Left	1	1
29			Rivet	1	4
<p>NOTE: A - Specify upholstery color U67 (Black) when ordering.            B - Includes Upper Arm Tube plus items 4-6.            C - Includes items 8, 9, 28, and 29.            D - Due to quality improvements, items 7, 8, 9, and 30 must be replaced in pairs for chairs built Before 11/01/06. For chairs built After 10/31/06, those items may still be ordered for a specified right or left.            E - Includes items 28 and 29            F - Includes items 1,3, and 7            G - Quantities in assembly part nos. (items 3 &amp; 28) will be 2 ea.            H - Quantities in assembly part nos. (items 6,8, &amp; 28) will be 1 ea.            I - Includes items 10-26.</p>					

# "T" Arms and Hardware



## "T" Arms and Hardware

Item Number	Note	Part Number	Description	Quantity Per	
				Package	Assembly
1	A	8881053570	Kit, Arm Pad w/ Screws, Desk Length (Pair)	2	1
1	A	8881053571	Kit, Arm Pad w/ Screws, Full Length (Pair)	2	1
2		1055949	Package, Screw, Phillips Pan Head (#10-32 x 1-3/8")	2	1
3		1069639	T-Arm Assembly w/ Plug Buttons, Desk Length, Low Range, Black	1	1
3		1069641	T-Arm Assembly w/ Plug Buttons, Desk Length, High Range, Black	1	1
3		1069643	T-Arm Assembly w/ Plug Buttons, Full Length, Low Range, Black	1	1
3		1069645	T-Arm Assembly w/ Plug Buttons, Full Length, High Range, Black	1	1
4		1027095	Plug Button, Black (7/8")	1	2
5		1069635	Post, Arm, Low Range	1	1
5		1069637	Post, Arm, High Range	1	1
6	B	1073424	Kit, Clothing Guard, Low Range - Right	1	1
6	B	1073425	Kit, Clothing Guard, Low Range - Left	1	1
6	B	1073422	Kit, Clothing Guard, High Range - Right	1	1
6	B	1073423	Kit, Clothing Guard, High Range - Left	1	1
7		1069652-NLA	NLA - Guard, Clothing, Low Range	1	1
7		1069651-NLA	NLA - Guard, Clothing, High Range	1	1
8		1069634	Tube, Support, Low Range, Black - Right	1	1
8		1073247-NLA	NLA - Tube, Support, Low Range, Black - Left	1	1
8		1069650-NLA	NLA - Tube, Support, High Range, Black - Right	1	1
8		1073246	Tube, Support, High Range, Black - Left	1	1
9		1028427	Grip, Foam	1	1
10		1025731	Locknut (#10-32)	1	1
11		1076839-NLA	NLA - Lever, Locking	1	1
12		1025716	Screw, Phillips Pan Head (#10-32 x 11/16")	1	1
13		1073196-NLA	NLA - Spring, Torsion	1	1
14		1006773-NLA	NLA - Screw, Socket Button Head (1/4-20 x 1/2")	1	3
15		1075069-NLA	NLA - Clamp, Clothing Guard - Right	1	1
15		1075070-NLA	NLA - Clamp, Clothing Guard - Left	1	1
16	C	1069632	Arm Socket Assembly, Bolt On	1	1
17		1055305-NLA	NLA - Screw, Socket Button Head (1/4-28 x 3/4")	1	4
18		1069609	Insert, Arm Socket, Black	1	2
19		1055348	Screw, Hex Head (1/4-28 x 1-3/4")	1	2
20		1069629-NLA	NLA - Bracket, T-Arm Socket, Threaded, Black	1	1
21		1026907	Washer (1/4 x 1/2 x 1/16")	1	2
22		1085111	Nut, Hex (1/4-28)	1	3
23		1069620-NLA	NLA - Bracket, Socket, Black	1	1
24		1026108	Lockwasher (1/4 x 15/32 x 1/64")	1	4
	D	See Chart	"T" Arm Kits	1	1

## "T" Arms and Hardware

NOTE: A - Specify upholstery color U67 Black when ordering.  
B - Includes items 7-15  
C - Includes items 17-24  
D - Includes items 1-3, 5-6 and 16.

# "T" Arms and Hardware

## "T" Arm Kits

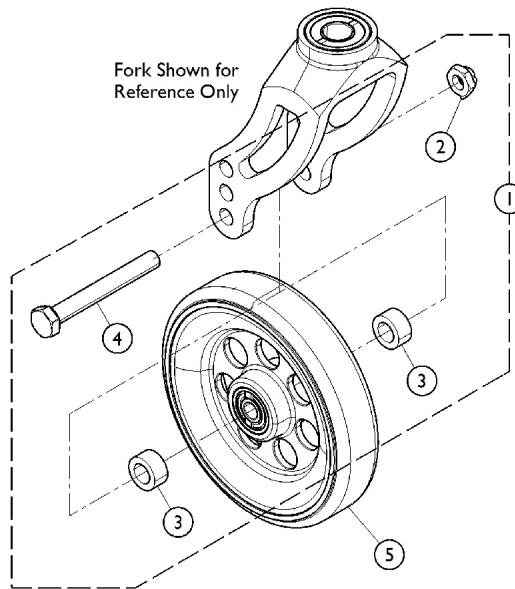
Kits Include Items 1-3,5-6, & 16

Part Number	Arm Style
1111709	Desk Length, Low Range (1 Pair)
1111710	Desk Length, High Range (1 Pair)
1111711	Full Length, Low Range (1 Pair)
1111712	Full Length, High Range (1 Pair)

Specify U67 upholstery color when ordering.

# Casters w/ Mounting Hardware

After 10/4/09, the 5SOFT (5") Semi-Pneumatic is no longer available and is replaced as a 5SOFT (5") Urethane. Order caster in pairs for wheelchairs manufactured before 10/5/09.



Item Number	Note	Part Number	Description	Quantity Per	
				Package	Assembly
1	A,B	1130525	Kit, Caster Hardware	1	1
			Locknut (5/16-24)	1	1
			Spacer (3/8 x 5/8 x 5/16")	1	2
			Screw, Hex Head (5/16-24 x 2-1/2")	1	1
5		See Chart	#5 Casters	1	1

NOTE: A - Includes items 2-4.  
B - For use on Heavy Duty and Non-Heavy Duty chairs.

## #5 Casters

Wheel Style	Wheel Size	Tire Type	Bearing	Bearing Spacer	Caster Wheel w/ Bearings
AT900 See Note(s) B	3"	Urethane	40117X026	1026172	1032190-NLA
4SPLT	4"	Urethane	40117X026	1026172	1060910
4ALUM2	4 x 1-1/2"	Urethane	40117X026	1026172	1128070
41DC	4 x 1"	Urethane	N/A	N/A	1164317-NLA See Note(s) C
5ALUM2	5 x 1-1/2"	Urethane	40117X026	1026172	1128071
5SOFT (Before 10/5/09)	5"	Semi Pneumatic	40117X026	1026172	1114143-NLA See Note(s) A
5SOFT (10/5/09 to 7/1/2011)	5"	Urethane	N/A	N/A	1164311 See Note(s) A, B

## Casters w/ Mounting Hardware

After 10/4/09, the 5SOFT (5") Semi-Pneumatic is no longer available and is replaced as a 5SOFT (5") Urethane. Order caster in pairs for wheelchairs manufactured before 10/5/09.

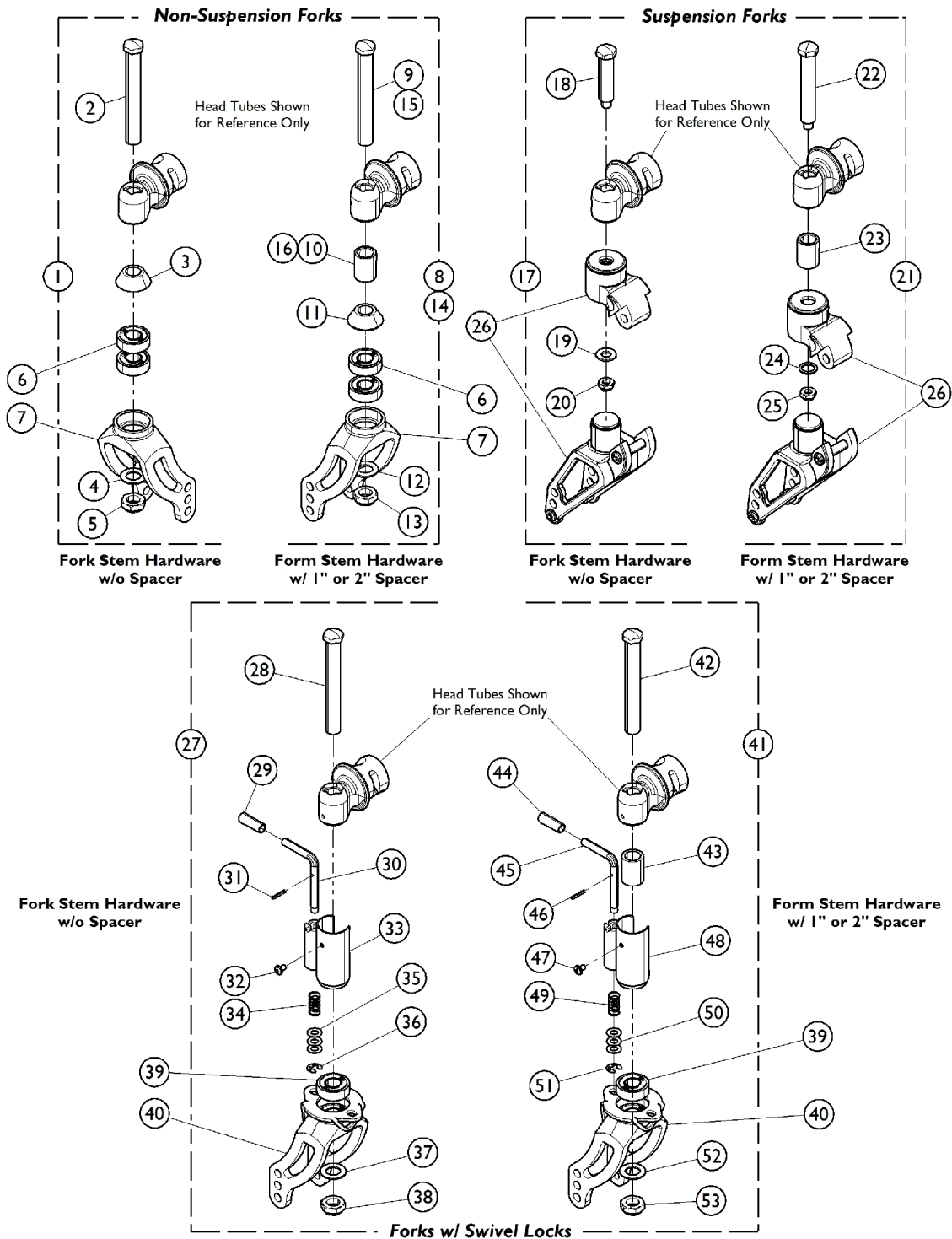
### #5 Casters

Wheel Style	Wheel Size	Tire Type	Bearing	Bearing Spacer	Caster Wheel w/ Bearings
51DC (After 6/29/11)	5 x 1"	Urethane	N/A	N/A	1169260 See Note(s) C
AT901	5"	Urethane	40117X026	1026172	1029496 See Note(s) B
6ALUM2	6 x 1-1/2"	Urethane	40117X026	1026172	1128072
61DC	6 x 1"	Urethane	N/A	N/A	1164314 See Note(s) C
615DC	6 x 1-1/2"	Urethane	N/A	N/A	1164313 See Note(s) C
AT902	6 x 1"	Urethane	40117X026	1026172	1034352 See Note(s) D, B
<p>NOTE: A - Part Number 1114143 (5SOFT, Semi-Pneumatic) is No Longer Available as of 10/5/09, replace with Part Number 1164311 (5SOFT, Urethane). No change of Wheel Type designation. Order in pairs to match chairs manufactured before 10/05/09.            B - Used on chairs manufactured before 7/1/2011.            C - Used on chairs manufactured after 6/29/2011.            D - Consists of (2) Casters.</p>					



# Casters - Forks w/ Hardware

NOTE: See Owner's Manual for Fork and Caster seat to floor (STF) combinations.



## Casters - Forks w/ Hardware

**NOTE: See Owner's Manual for Fork and Caster seat to floor (STF) combinations.**

Item Number	Note	Part Number	Description	Quantity Per	
				Package	Assembly
1	A	1130502	Kit, Fork Stem Hardware, Silver Anodized	1	1
2			Screw, Hex Head (1/2-20 x 2-7/8")	1	2
3			Spacer, Fork	1	2
4			Washer (1/2 x 7/8 x 3/64")	1	2
5			Locknut (1/2-20)	1	2
1	A	1154360	Kit, Fork Stem Hardware, Black Anodized	1	1
2			Screw, Hex Head (1/2-20 x 2-7/8")	1	2
3			Spacer, Fork	1	2
4			Washer (1/2 x 7/8 x 3/64")	1	2
5			Locknut (1/2-20)	1	2
6		40117X021	Bearing (1/2" I.D. x 1-1/8" O.D.)	1	2
7	B	1128012	Fork, Non-Suspension with Bearings, Silver, Short (4-1/4" L)	1	2
7	B	1154358	Fork, Non-Suspension with Bearings, Black, Short (4-1/4" L)	1	--
7	B	1128024	Fork, Non-Suspension with Bearings, Silver, Long (6-1/4" L)	1	2
7	B	1154359	Fork, Non-Suspension with Bearings, Black, Long (6-1/4" L)	1	1
8	C	1130503	Kit, Fork Stem Hardware with 1" Spacer, Silver Anodized	1	1
9			Screw, Hex Head (1/2-20 x 3-7/8")	1	2
10			Spacer (1/2 x 3/4 x 1")	1	2
11			Spacer, Fork	1	2
12			Washer (1/2 x 7/8 x 3/64")	1	2
13			Locknut (1/2-20)	1	2
8	C	1154361	Kit, Fork Stem Hardware with 1" Spacer, Black Anodized	1	1
9			Screw, Hex Head (1/2-20 x 3-7/8")	1	2
10			Spacer, Black Anodized (17/32 x 3/4 x 1")	1	2
11			Spacer, Fork	1	2
12			Washer (1/2 x 7/8 x 3/64")	1	2
13			Locknut (1/2-20)	1	2
14	D	1130504	Kit, Fork Hardware with 2" Spacer, Silver Anodized	1	1
11			Spacer, Fork	1	2
12			Washer (1/2 x 7/8 x 3/64")	1	2
13			Locknut (1/2-20)	1	2
15			Screw, Hex Head (1/2-20 x 4-7/8")	1	2
16			Spacer (1/2 x 3/4 x 2")	1	2
14	D	1154362	Kit, Fork Hardware with 2" Spacer, Black Anodized	1	1
15			Screw, Hex Head (1/2-20 x 4-7/8")	1	2
11			Spacer, Fork	1	2
12			Washer (1/2 x 7/8 x 3/64")	1	2
13			Locknut (1/2-20)	1	2
16			Spacer (17/32 x 3/4 x 2")	1	2

## Casters - Forks w/ Hardware

**NOTE: See Owner's Manual for Fork and Caster seat to floor (STF) combinations.**

Item Number	Note	Part Number	Description	Quantity Per	
				Package	Assembly
17	E,J	1130585	Kit, Suspension Fork Stem Hardware, Silver Anodized	1	1
18			Screw (5/16-24 x 2-5/32")	1	2
19			Washer, Steel (15/32 x 5/8 x 3/64")	1	2
20			Locknut (5/16-24)	1	2
21	F,J	1130586	Kit, Suspension Fork Stem Hardware with 1" Spacer, Silver Anodized	1	1
22			Screw (5/16-24 x 3-5/32")	1	2
23			Spacer (1/2 x 3/4 x 1")	1	2
24			Washer, Steel (15/32 x 5/8 x 3/64")	1	2
25			Locknut (5/16-24)	1	2
21	F,J	1154371	Kit, Suspension Fork Stem Hardware with 1" Spacer, Black Anodized	1	1
22			Screw (5/16-24 x 3-5/32")	1	2
23			Spacer, Black Anodized (17/32 x 3/4 x 1")	1	2
24			Washer, Steel (15/32 x 5/8 x 3/64")	1	2
25			Locknut (5/16-24)	1	2
26	J	1130572	Suspension Fork Assembly, Soft Setting	1	2
26	J	1130573	Suspension Fork Assembly, Firm Setting	1	2
27	G,I	1139468	Kit, Fork Stem Hardware for Caster Lock	1	1
28			Screw, Hex Head (1/2-20 x 2-7/8")	1	2
29			Cap, Handle, Black	1	2
30			Handle, Lock Caster	1	2
31			Pin, Roll (3/32" x 5/8")	1	2
32			NLA - Screw, Phillips Pan Head (#8-32 x 1/4")	1	2
33			Sleeve, Lock Caster - Right	1	1
33			Sleeve, Lock Caster - Left	1	1
34			Spring, Compression (3/8 x 7/8 x 1/64")	1	2
35			Washer (1/4 x 1/2 x 1/32")	1	6
36			NLA - Ring, Retaining	1	2
37			Washer (1/2 x 7/8 x 3/64")	1	2
38			Locknut (1/2-20)	1	2
			NLA - Instruction Sheet, Caster Swivel Lock	1	1
39		40117X021	Bearing (1/2" I.D. x 1-1/8" O.D.)	1	2
40		1140400	Fork, Caster Swivel Lock with Bearings, Silver, Short	1	2
40		1140401	Fork, Caster Swivel Lock with Bearings, Silver, Long	1	2
40		1154364	Fork, Caster Swivel Lock with Bearings, Black, Short	1	2
40		1154369-NLA	NLA - Fork, Caster Swivel Lock with Bearings, Black, Long	1	2
41	H,I	1139469	Kit, Fork Stem Hardware for Caster Lock w/ 1" Spacer	1	1
42			Screw, Hex Head (1/2-20 x 3-7/8")	1	2
43			Spacer (1/2 x 3/4 x 1")	1	2

## Casters - Forks w/ Hardware

NOTE: See Owner's Manual for Fork and Caster seat to floor (STF) combinations.

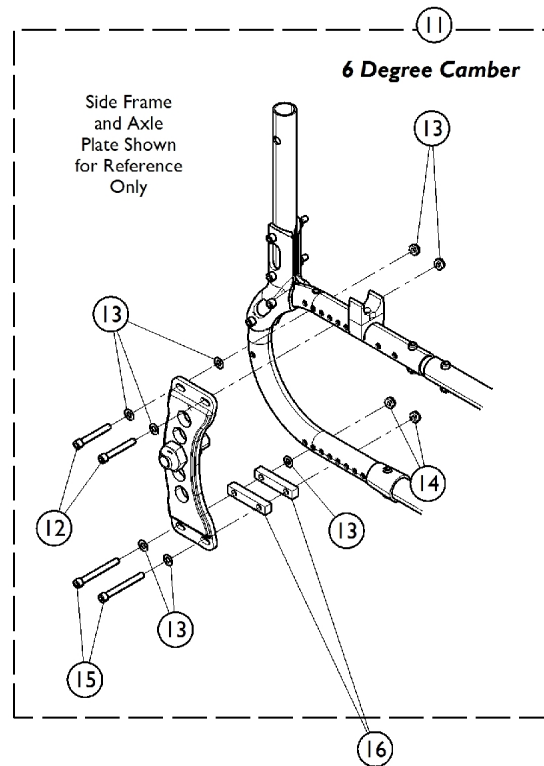
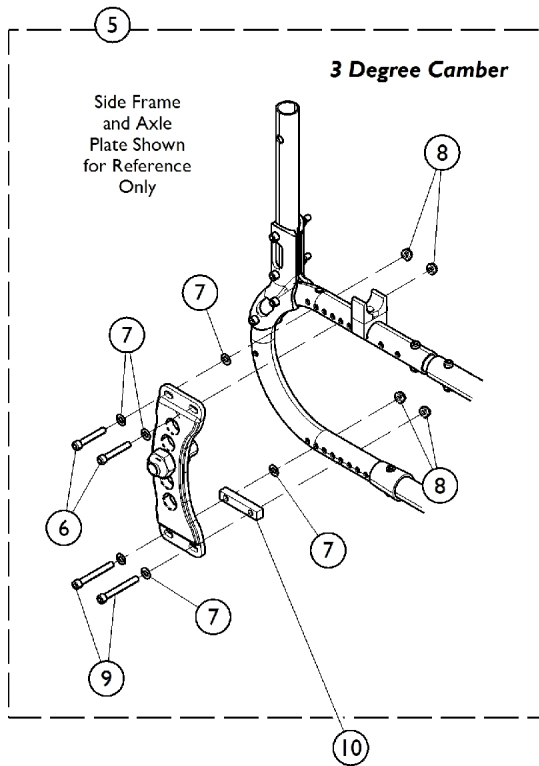
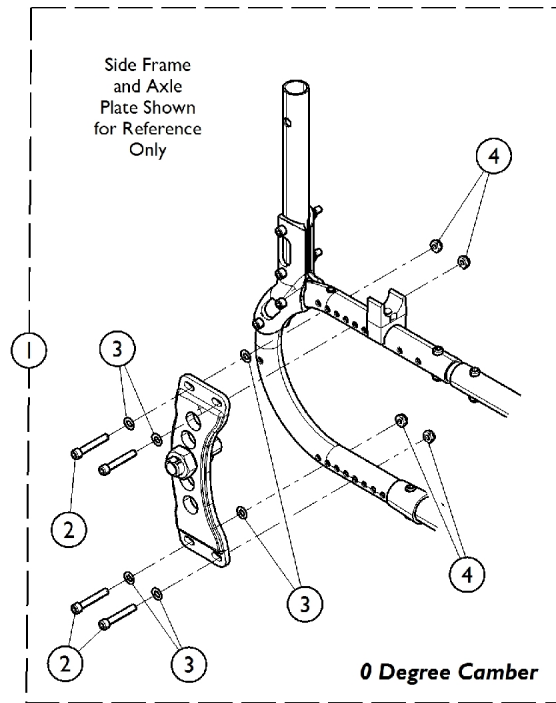
Item Number	Note	Part Number	Description	Quantity Per	
				Package	Assembly
44			Cap, Handle, Black	1	2
45			Handle, Lock Caster	1	2
46			Pin, Roll (3/32" x 5/8")	1	2
47			NLA - Screw, Phillips Pan Head (#8-32 x 1/4")	1	2
48			Sleeve, Lock Caster for 1" Spacer - Right	1	1
48			Sleeve, Lock Caster for 1" Spacer - Left	1	1
49			Spring, Compression (3/8 x 7/8 x 1/64")	1	2
50			Washer (1/4 x 1/2 x 1/32")	1	6
51			NLA - Ring, Retaining	1	2
52			Washer (1/2 x 7/8 x 3/64")	1	2
53			Locknut (1/2-20)	1	2
			NLA - Instruction Sheet, Caster Swivel Lock	1	1
41	H,I	1139470	Kit, Fork Stem Hardware for Caster Lock w/ 2" Spacer	1	1
42			Screw, Hex Head (1/2-20 x 4-7/8")	1	2
43			Spacer (1/2 x 3/4 x 2")	1	2
44			Cap, Handle, Black	1	2
45			Handle, Lock Caster	1	2
46			Pin, Roll (3/32" x 5/8")	1	2
47			NLA - Screw, Phillips Pan Head (#8-32 x 1/4")	1	2
48			Sleeve, Caster Lock for 2" Spacer - Right	1	1
48			Sleeve, Caster Lock for 2" Spacer - Left	1	1
49			Spring, Compression (3/8 x 7/8 x 1/64")	1	2
50			Washer (1/4 x 1/2 x 1/32")	1	6
51			NLA - Ring, Retaining	1	2
52			Washer (1/2 x 7/8 x 3/64")	1	2
53			Locknut (1/2-20)	1	2
			NLA - Instruction Sheet, Caster Swivel Lock	1	1
41	H,I	1154367	Kit, Fork Stem Hardware for Caster Lock w/1" Spacer	1	1
42			Screw, Hex Head (1/2-20 x 3-7/8")	1	2
43			Spacer, Black Anodized (17/32 x 3/4 x 1")	1	2
44			Cap, Handle, Black	1	2
45			Handle, Lock Caster	1	2
46			Pin, Roll (3/32" x 5/8")	1	2
47			NLA - Screw, Phillips Pan Head (#8-32 x 1/4")	1	2
48			Sleeve, Lock Caster for 1" Spacer - Right	1	1
48			Sleeve, Lock Caster for 1" Spacer - Left	1	1
49			Spring, Compression (3/8 x 7/8 x 1/64")	1	2
50			Washer (1/4 x 1/2 x 1/32")	1	6
51			NLA - Ring, Retaining	1	2
52			Washer (1/2 x 7/8 x 3/64")	1	2
53			Locknut (1/2-20)	1	2
			NLA - Instruction Sheet, Caster Swivel Lock	1	1

## Casters - Forks w/ Hardware

**NOTE: See Owner's Manual for Fork and Caster seat to floor (STF) combinations.**

Item Number	Note	Part Number	Description	Quantity Per	
				Package	Assembly
41	H,I	1154368	Kit, Fork Stem Hardware for Caster Lock w/2" Spacer	1	1
42			Screw, Hex Head (1/2-20 x 4-7/8")	1	2
43			Spacer (17/32 x 3/4 x 2")	1	2
44			Cap, Handle, Black	1	2
45			Handle, Lock Caster	1	2
46			Pin, Roll (3/32" x 5/8")	1	2
47			NLA - Screw, Phillips Pan Head (#8-32 x 1/4")	1	2
48			Sleeve, Caster Lock for 2" Spacer - Right	1	1
48			Sleeve, Caster Lock for 2" Spacer - Left	1	1
49			Spring, Compression (3/8 x 7/8 x 1/64")	1	2
50			Washer (1/4 x 1/2 x 1/32")	1	6
51			NLA - Ring, Retaining	1	2
52			Washer (1/2 x 7/8 x 3/64")	1	2
53			Locknut (1/2-20)	1	2
			NLA - Instruction Sheet, Caster Swivel Lock	1	1
<p><b>NOTE:</b> A - Includes items 2 - 5.            B - Includes item 6 (Bearings).            C - Includes items 9 - 13.            D - Includes items 11 - 13, 15 - 16.            E - Includes items 18 - 20.            F - Includes items 22 - 25.            G - Includes items 28 - 38.            H - Includes items 42 - 53.            I - Item is no longer available from the Invacare Service Parts Department. Refer to the Invacare Website under "Product Literature Search". Enter the part number in the "Keywords" field and download a free PDF version copy.            J - Used for SOFR-F option (Frog Legs Front Suspension Forks).</p>					

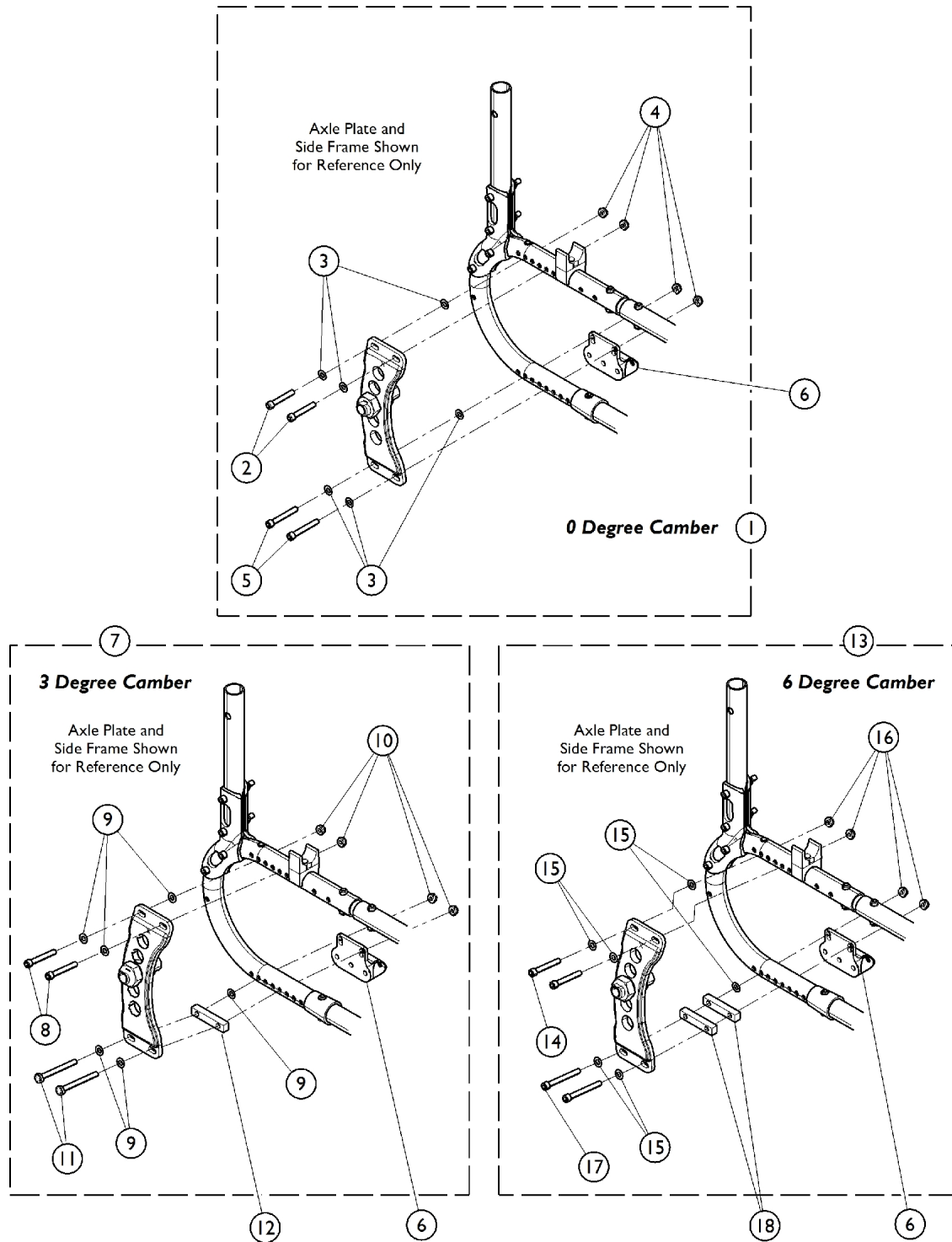
# Axle Mounting Plate Hardware and Camber Inserts - Chairs without Anti-Tippers



## Axle Mounting Plate Hardware and Camber Inserts - Chairs without Anti-Tippers

Item Number	Note	Part Number	Description	Quantity Per	
				Package	Assembly
1	A	1130546	Kit, Axle Plate Attaching Hardware	1	1
2			Screw, Socket Head (1/4-28 x 1-1/2")	1	8
3			NLA - Washer, Flat (1/4 x 1/2 x 1/16")	1	12
4			Locknut (1/4-28)	1	8
5	B	1137251	Kit, Axle Plate Attaching Hardware	1	1
6			Screw, Socket Head (1/4-28 x 1-1/2")	1	4
7			NLA - Washer, Flat (1/4 x 1/2 x 1/16")	1	12
8			Locknut (1/4-28)	1	8
9			Screw, Socket Head (1/4-28 x 2")	1	4
10		1130499	Insert, Camber (7/16 x 2-1/4 x 3/8")	1	2
11	C	1130548	Kit, Axle Plate Attaching Hardware	1	1
12			Screw, Socket Head (1/4-28 x 1-3/4")	1	4
13			NLA - Washer, Flat (1/4 x 1/2 x 1/16")	1	12
14			Locknut (1/4-28)	1	8
15			Screw, Socket Head (1/4-20 x 2-1/4")	1	4
16		1130499	Insert, Camber (7/16 x 2-1/4 x 3/8")	1	4
NOTE: A - Chairs with 0° Camber. Includes items 2-4. B - Chairs with 3° Camber. Includes items 6-9. C - Chairs with 6° Camber. Includes items 12-15.					

# Axle Mounting Plate Hardware and Camber Inserts - Chairs w/ Anti-Tippers





## Axle Mounting Plate Hardware and Camber Inserts - Chairs w/ Anti-Tippers

Item Number	Note	Part Number	Description	Quantity Per	
				Package	Assembly
1	A	1130547	Kit, Axle Plate Attaching Hardware	1	1
2			Screw, Socket Head (1/4-28 x 1-1/2")	1	4
3			NLA - Washer, Flat (1/4 x 1/2 x 1/16")	1	12
4			Locknut (1/4-28)	1	8
5			Screw, Socket Head (1/4-28 x 1-3/4")	1	4
6	B	1128068	Bracket, Anti-Tipper, Black	1	2
7		1130548	Kit, Axle Plate Attaching Hardware	1	1
8		Screw, Socket Head (1/4-28 x 1-3/4")	1	4	
9		NLA - Washer, Flat (1/4 x 1/2 x 1/16")	1	12	
10		Locknut (1/4-28)	1	8	
11		Screw, Socket Head (1/4-20 x 2-1/4")	1	4	
12	C	1130499	Insert, Camber (7/16 x 2-1/4 x 3/8")	1	2
13		1130549	Kit, Axle Plate Attaching Hardware	1	1
14		Screw, Socket Head (1/4-28 x 1-3/4")	1	4	
15		NLA - Washer, Flat (1/4 x 1/2 x 1/16")	1	12	
16		Locknut (1/4-28)	1	8	
17		NLA - Screw, Hex Head (1/4-28 x 2-1/2")	1	4	
18		1130499	Insert, Camber (7/16 x 2-1/4 x 3/8")	1	4

NOTE: A - Chairs with 0° Camber. Includes items 2-5.  
B - Chairs with 3° Camber. Includes items 8-11.  
C - Chairs with 6° Camber. Includes items 14-17.

# Handrims and Mounting Hardware

For Natural Fit Handrims, please refer to that particular category.

## Handrims

Wheel Style	Anodized Aluminum	Plastic Coated (Black)	Titanium	Attachment Points
20COM	1033374	1115400	N/A	7
20SP	1043442-NLA	1043688	N/A	4
20ITESPK	1043442-NLA	1043688	N/A	4
22COM	1033373	1115401	N/A	7
22SP	1043443	1043689-NLA	N/A	4
22ITESPK	1043443	1043689-NLA	N/A	4
24COM7	1033372	1115397	N/A	7
24SP	1026136	1035612	1060873	6
24ITESPK	1026136	1035612	1060873	6
SPIN24	1114300	N/A	1060873	6
SPLX24	1114300	N/A	1060873	6
FN1624	1114300	N/A	1060873	6
24HPS	1026136	1035612	1060873	6
559TS	1029493	1043249	N/A	6
SPIN25	1114301-NLA	N/A	1060874	6
SPLX25	1114301-NLA	N/A	1060874	6
FN1625	1114301-NLA	N/A	1060874	6
26SP	1026137	1035613	1060875	6
26HPS	1026137	1035613	1060875	6
SPIN26	1114302-NLA See Note(s) A	N/A	1060875	6
FN1626	1114302-NLA See Note(s) A	N/A	1060875	6

NOTE: A - Part No Longer Available individually. See Part # 1112344 for replacement.

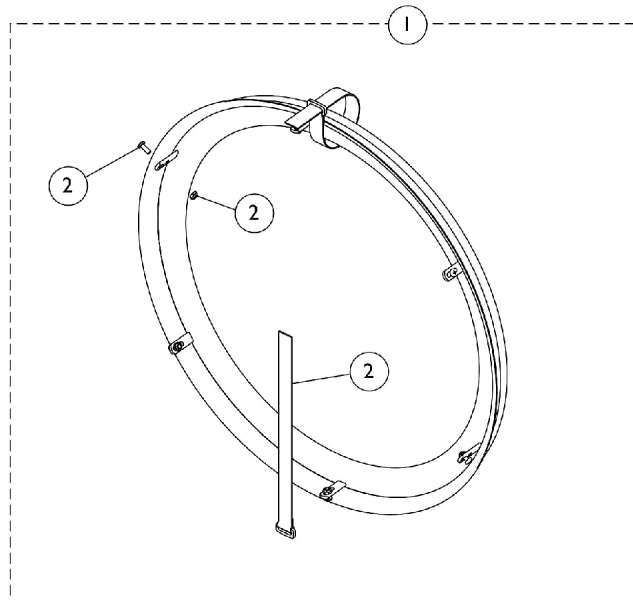
# Handrims and Mounting Hardware

For Natural Fit Handrims, please refer to that particular category.

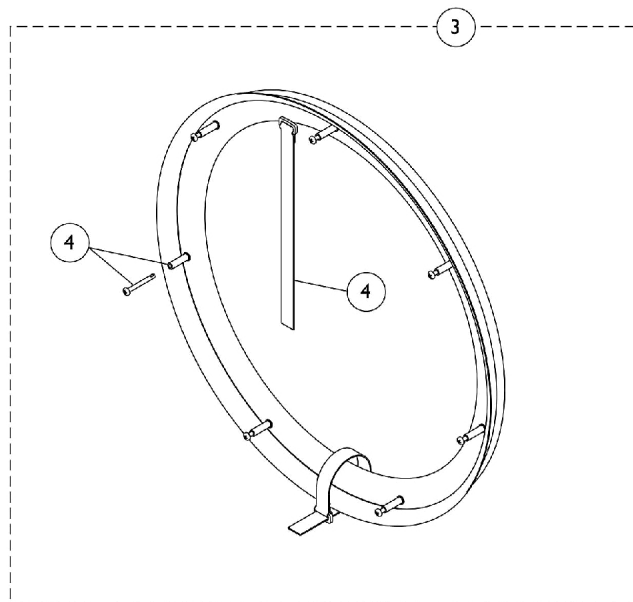
## Handrim Hardware

Wheel Style	Anodized Aluminum	Plastic Coated (Black)	Titanium
20COM	1025153	1025158	N/A
20SP	1043708	1043708	N/A
20ITESPK	1043708	1043708	N/A
22COM	1026384	1026383	N/A
22SP	1043708	1043708	N/A
22ITESPK	1043708	1043708	N/A
24COM7	1026384	1026383	N/A
24SP	1026910	1026910	1026910
24ITESPK	1026910	1026910	1026910
SPIN24	1026910	N/A	1026910
SPLX24	1026910	N/A	1026910
FN1624	1026910	N/A	1026910
24HPS	1026910	1026910	1026910
559TS	1026910	1026910	N/A
SPIN25	1026910	N/A	1026910
SPLX25	1026910	N/A	1026910
FN1625	1026910	N/A	1026910
26SP	1026910	1026910	1026910
26HPS	1026910	1026910	1026910
SPIN26	1026910	N/A	1026910
FN1626	1026910	N/A	1026910

# Handrims and Mounting Hardware - Natural Fit and Natural Fit LT



**6 Point Attaching Wheels (Spoke Wheels)**



**7 Point Attaching Wheels (Composite Wheels)**

# Handrims and Mounting Hardware - Natural Fit and Natural Fit LT

Item Number	Note	Part Number	Description	Quantity Per	
				Package	Assembly
1		See Chart	#1 Natural Fit Handrims - 6 Point Attaching Wheels (Spoke Wheels)	1	1
1		See Chart	#1 Natural Fit LT Handrims - 6 Point Attaching Wheels (Spoke Wheels)	1	1
2	A	1145679	Kit, Handrim Attaching Hardware - 6 Point	1	1
			Screw, Phillips Pan Head (#10-32 x 1/2")	1	6
			Locknut (#10-32)	1	6
			NLA - Strap, Securing	1	2
3		See Chart	#3 Natural Fit Handrims - 7 Point Attaching Wheels (Composite Wheels)	1	1
3		See Chart	#3 Natural Fit LT Handrims - 7 Point Attaching Wheels (Composite Wheels)	1	1
4	B	1145680-NLA	Kit, Handrim Attaching Hardware - 7 Point	1	1
			Screw, Phillips Pan Head w/ Patch (#10-32 x 1-3/4")	1	7
			NLA - Spacer (3/16 x 5/16 x 1-1/16")	1	7
			NLA - Strap, Securing	1	2
	C	1144492	Instruction Sheet, Natural Fit Handrims	1	1

NOTE: A - Includes Screws, Locknuts, and Securing Straps.  
 B - Includes Screws, Spacers, and Securing Straps.  
 C - Not Shown

## #1 Natural Fit Handrims - 6 Point Attaching Wheels (Spoke Wheels)

Handrims sold as 1 each. Includes all Attaching Hardware (item 2) and Instruction Sheet.

Grip Style	24" Wheels	25" Wheels	26" Wheels
Standard	1145546-NLA	1145547	1145548-NLA
Super Grip	1145550-NLA	1145551	1145552

## #1 Natural Fit LT Handrims - 6 Point Attaching Wheels (Spoke Wheels)

Handrims sold as 1 each. Includes all Attaching Hardware (item 2) and Instruction Sheet.

Grip Style	24" Wheels	25" Wheels	26" Wheels
Standard	1163646	1163647-NLA	1163648-NLA
Super Grip	1163649	1163650-NLA	1163651

## #3 Natural Fit Handrims - 7 Point Attaching Wheels (Composite Wheels)

Handrims sold as 1 each. Includes all Attaching Hardware (item 4) and Instruction Sheet.

# Handrims and Mounting Hardware - Natural Fit and Natural Fit LT

## #3 Natural Fit Handrims - 7 Point Attaching Wheels (Composite Wheels)

Handrims sold as 1 each. Includes all Attaching Hardware (item 4) and Instruction Sheet.

Grip Style	24" Wheels
Standard	1145553
Super Grip	1145554

## #3 Natural Fit LT Handrims - 7 Point Attaching Wheels (Composite Wheels)

Handrims sold as 1 each. Includes all Attaching Hardware (item 4) and Instruction Sheet.

Grip Style	24" Wheels
Standard	1163652-NLA
Super Grip	1163653

## Composite Rear Wheels (without Handrims)

Wheel Style	Wheel Size	Tire Type	Wheel w/o Handrim	Tire	Tube/ Insert	Bearing	Hub Spacer
20COM	20 x 1-3/8"	Pneumatic	1026422	1017519	1017520	40117X022	1015756
20COM	20 x 1-3/8"	Pneumatic w/ Flat Free	1026423	1017519	1023322	40117X022	1015756
20COM	20 x 1-1/4"	Urethane	1038364	1037774	N/A	40117X022	1015756
22COM	22 x 1-3/8"	Pneumatic	1026420	1018544	1018545	40117X022	1015756
22COM	22 x 1-3/8"	Pneumatic w/ Flat Free	1026421	1018544	1023323	40117X022	1015756
22COM	22 x 1-1/4"	Urethane	1032116	1028250	N/A	40117X022	1015756
24COM7	24 x 1-1/4"	Urethane	1032118	1026904	N/A	40117X022	1015756
24COM7	24 x 1-3/8"	Pneumatic	1026362-NLA	40176X060	40176X061	40117X022	1015756
24COM7	24 x 1-3/8"	Pneumatic w/ Flat Free	1026363	40176X060	1010906	40117X022	1015756
24COM7	24 x 1-1/4"	KIK	1091330	1062852	N/A	40117X022	1015756

## Wheels - Rear w/o Handrims - Spoke (After 9/1/11)

### Wheels - Rear w/o Handrims - Lightweight Performance (ITESPK)

Wheel Style	Wheel Size	Tire Type	Wheel Assembly	Tire	Tube/Insert	Bearing	Hub Spacer
20ITESPK	20"	Pneumatic	1176797	1017519	1017520	N/A	N/A
20ITESPK	20"	Pneumatic w/ Flat Free	1176798	1017519	1023322	N/A	N/A
22ITESPK	22"	Pneumatic	1176799-NLA	1018544	1018545	N/A	N/A
22ITESPK	22"	Pneumatic w/ Flat Free	1176800-NLA	1018544	1023323	N/A	N/A
24ITESPK	24"	Pneumatic	8881159332 See Note(s) A	40176X060	1032240	N/A	N/A
24ITESPK	24"	Pneumatic w/ Flat Free	8881159332 See Note(s) A	40176X060	1010906	N/A	N/A
24ITESPK	24"	Primo	8881159332 See Note(s) A	1026138	1032240	N/A	N/A
24ITESPK	24"	KIK	8881159332 See Note(s) A	1062852	N/A	N/A	N/A
24ITESPK	24"	Schwalbe	8881159332 See Note(s) A	1139813	1105941	N/A	N/A
26ITESPK	26"	Pneumatic	1176803-NLA	1026142	1026140	1026141-NLA	N/A
26ITESPK	26"	Primo	N/A	1029470	1029471	N/A	N/A
26ITESPK	26"	Schwalbe	1176804	1139815	1104326	N/A	N/A

NOTE: A - Use the Service Parts Wheel Configurator when ordering a complete wheel for this style. To omit handrim in the Service Parts Wheel Configurator, order as a special.



## Wheels - Rear w/o Handrims - Spoke (After 9/1/11)

### Wheels - Rear w/o Handrims - High Performance (HPS)

Wheel Style	Wheel Size	Tire Type	Wheel Assembly	Tire	Tube/Insert	Bearing	Hub Spacer
24HPS	24 x 1-3/8"	Pneumatic	1116709-NLA See Note(s) A	40176X060	40176X061	40117X021	1015756
24HPS	24 x 1-3/8"	Pneumatic (Pair)	1116710	40176X060	40176X061	40117X021	1015756
24HPS	24 x 1-3/8"	Pneumatic w/ Flat Free	1116715	40176X060	1010906	40117X021	1015756
24HPS	24 x 1"	Primo	1116711	1026138	1032240	40117X021	1015756
24HPS	24 x 1"	KIK	1114138	1062852	N/A	40117X021	1015756
24HPS	24 x 1"	Schwalbe	1157361-NLA	1139813	1105941	40117X021	N/A
26HPS	26 x 1-3/8"	Pneumatic	1115652-NLA	1026142	1026140	40117X021	1015756
26HPS	26 x 1-3/8"	Pneumatic	1116725-NLA	N/A	N/A	N/A	N/A
26HPS	26 x 1"	Primo	1115654	1029470	1029471	40117X021	1015756
26HPS	26 x 1"	Schwalbe	1154389-NLA	1139815	1104326	40117X021	N/A

NOTE: A - Wheels must be replaced in pairs. See Part number 1116710 for replacement.

# Wheels - Rear w/o Handrims - Spoke (After 9/1/11)

## Wheels - Rear w/o Handrims - Spinergy (SPIN)

Wheel Style	Wheel Size	Tire Type	Wheel Assembly	Tire	Tube/Insert	Bearing	Hub Spacer
SPIN24 Black Spokes	24 x 1"	Primo	1112338-NLA See Note(s) A	1026138	1105941	1104350	N/A
SPIN24 Yellow, Red, Blue or White Spokes	24 x 1"	Primo	8881159332 See Note(s) B	1026138	1105941	1104350	N/A
SPIN24 Black Spokes	24 x 1"	Schwalbe	1154229	1139813	1105941	1104350	N/A
SPIN24 Yellow, Red, Blue or White Spokes	24 x 1"	Schwalbe	8881159332 See Note(s) B	1139813	1105941	1104350	N/A
SPIN25 Black Spokes	25 x 1"	Primo	1112348-NLA	1044947	1104326	1104350	N/A
SPIN25 Yellow, Red, Blue or White Spokes	25 x 1"	Primo	8881159332 See Note(s) B	1044947	1104326	1104350	N/A
SPIN25 Black Spokes	25 x 1"	Primo Treaded Pneumatic	1130593-NLA	1130527	1104326	1104350	N/A
SPIN25 Yellow, Red, Blue or White Spokes	25 x 1"	Primo Treaded Pneumatic	8881159332 See Note(s) B	1130527	1104326	1104350	N/A
SPIN25 Black Spokes	25 X 1"	Schwalbe	1154232-NLA	1139814	1104326	1104350	N/A
SPIN25 Yellow, Red, Blue or White Spokes	25 x 1"	Schwalbe	8881159332 See Note(s) B	1139814	1104326	1104350	N/A
SPIN26 Black Spokes	26 x 1"	Primo	1112343-NLA	1029470	1104326	1104350	N/A
SPIN26 Yellow, Red, Blue or White Spokes	26 x 1"	Primo	8881159332 See Note(s) B	1029470	1104326	1104350	N/A
SPIN26 Black Spokes	26 x 1"	Schwalbe	1154235-NLA	1139815	1104326	1104350	N/A
SPIN26 Yellow, Red, Blue or White Spokes	26 x 1"	Schwalbe	8881159332 See Note(s) B	1139815	1104326	1104350	N/A

## **Wheels - Rear w/o Handrims - Spoke (After 9/1/11)**

NOTE: A - As of 11/17/08 Spinegy Wheels changed from black spoke, black hub to a black spoke, silver hub appearance. For chairs built Before 11/17/08, it is recommended when one wheel is requested that the wheels be replaced in pairs.  
B - Use the Parts Wheel Configurator when ordering a complete wheel for this model. To omit handrim in the Parts Wheel Configurator, order as a special

## Wheels - Rear w/o Handrims - Spoke (After 9/1/11)

### Wheels - Rear w/o Handrims - Spinergy LX (SPLX)

Wheel Style	Wheel Size	Tire Type	Wheel Assembly	Tire	Tube/Insert	Bearing	Hub Spacer
SPLX24 Black, Yellow, Red, Blue or White Spokes	24 x 1"	Primo	8881159332 See Note(s) A	1026138	1105941	1104350	N/A
SPLX24 Black, Yellow, Red, Blue or White Spokes	24 x 1"	Schwalbe	8881159332 See Note(s) A	1139813	1105941	1104350	N/A
SPLX25 Black, Yellow, Red, Blue or White Spokes	25 x 1"	Primo	8881159332 See Note(s) A	1044947	1104326	1104350	N/A
SPLX25 Black, Yellow, Red, Blue or White Spokes	25 x 1"	Primo Treaded Pneumatic	8881159332 See Note(s) A	1130527	1104326	1104350	N/A
SPLX25 Black, Yellow, Red, Blue or White Spokes	25 x 1"	Schwalbe	8881159332 See Note(s) A	1139814	1104326	1104350	N/A
NOTE: A - Use the Parts Wheel Configurator when ordering a complete wheel for this model. To omit handrim in the Parts Wheel Configurator, order as a special							

### Wheels - Rear w/o Handrims - Sun Fusion (FN)

Wheel Style	Wheel Size	Tire Type	Wheel Assembly	Tire	Tube/Insert	Bearing	Hub Spacer
FN1624	24 x 1"	Primo	8881159332 See Note(s) A	1026138	1105941	40117X021	N/A
FN1624	24 x 1"	Pneumatic	8881159332 See Note(s) A	40176X060	40176X061	40117X021	N/A
FN1624	24 x 1"	KIK	8881159332 See Note(s) A	1062852	N/A	40117X021	N/A
FN1624	24 x 1"	Schwalbe	8881159332 See Note(s) A	1139813	1105941	40117X021	N/A
FN1625	25 x 1"	Primo	8881159332 See Note(s) A	1044947	1104326	40117X021	N/A
FN1625	25 x 1"	Primo Treaded Pneumatic	8881159332 See Note(s) A	1130527	1104326	40117X021	N/A
FN1625	25 x 1"	KIK	8881159332 See Note(s) A	1144435	N/A	40117X021	N/A
FN1625	25 x 1"	Schwalbe	8881159332 See Note(s) A	1139814	1104326	40117X021	N/A

## Wheels - Rear w/o Handrims - Spoke (After 9/1/11)

### Wheels - Rear w/o Handrims - Sun Fusion (FN)

Wheel Style	Wheel Size	Tire Type	Wheel Assembly	Tire	Tube/Insert	Bearing	Hub Spacer
FN1626	26 x 1"	Primo	8881159332 See Note(s) A	1029470	1104326	40117X021	N/A
FN1626	26 x 1"	Pneumatic	8881159332 See Note(s) A	1026142	1026140	40117X021	N/A
FN1626	26 x 1"	Schwalbe	8881159332 See Note(s) A	1139815	1104326	40117X021	N/A

NOTE: A - Use the Parts Wheel Configurator when ordering a complete wheel for this model. To omit handrim in the Parts Wheel Configurator, order as a special

## **Wheels - Rear w/o Handrims - Spoke (After 9/1/11)**

### **Wheels - Rear w/o Handrims - 559 Turbo Spoke (559TS)**

Wheel Style	Wheel Size	Tire Type	Wheel Assembly	Tire	Tube/Insert	Bearing	Hub Spacer
559TS	25 x 1"	Primo	1116717-NLA	1044947	1029471	40117X021	1015756
599TS	25 x 1"	Primo Treaded Pneumatic	1130592-NLA	1130527	1104326	40117X021	1015756

## Spoke Rear Wheels (w/o Handrims) (Before 9/2/11)

Item Number	Note	Part Number	Description	Quantity Per	
				Package	Assembly
	A	1030936	Plug, Valve Stem	1	1
	A	See Chart	Wheels without Handrims - Spoke	1	1

NOTE: A - Not Shown

Wheel Style	Wheel Size	Tire Type	Wheel Assembly	Tire	Tube/Insert	Bearing	Hub Spacer
20SP	20 x 1-3/8"	Pneumatic	1115585-NLA	1017519	1017520	40117X021	1015756
20SP	20 x 1-3/8"	Pneumatic w/ Flat Free	1115589-NLA See Note(s) A	1017519	1023322	40117X021	1015756
22SP	22 x 1-3/8"	Pneumatic	1115656-NLA	1018544	1018545	40117X021	1015756
22SP	22 x 1-3/8"	Pneumatic w/ Flat Free	1115658-NLA See Note(s) A	1018544	1023323	40117X021	1015756
24SP	24 x 1-3/8"	Pneumatic	1115660	40176X060	40176X061	40117X021	1015756
24SP	24 x 1-3/8"	Pneumatic w/ Flat Free	1116707 See Note(s) A	40176X060	1010906	40117X021	1015756
24SP	24 x 1"	Primo	1115662-NLA	1026138	1032240	40117X021	1015756
24SP	24 x 1"	KIK	1114112	1062852	N/A	40117X021	1015756
24SP	24 x 1"	Schwalbe	1154227	1139813	1105941	40117X021	N/A
24HPS	24 x 1-3/8"	Pneumatic	1116709-NLA See Note(s) E	40176X060	40176X061	40117X021	1015756
24HPS	24 x 1-3/8"	Pneumatic (Pair)	1116710	40176X060	40176X061	40117X021	1015756
24HPS	24 x 1-3/8"	Pneumatic w/ Flat Free	1116715 See Note(s) A	40176X060	1010906	40117X021	1015756
24HPS	24 x 1"	Primo	1116711	1026138	1032240	40117X021	1015756
24HPS	24 x 1"	KIK	1114138	1062852	N/A	40117X021	1015756
24HPS	24 x 1"	Schwalbe	1157361-NLA	1139813	1105941	40117X021	N/A
SPIN24 Black Spokes	24 x 1"	Primo	1112338-NLA See Note(s) C	1026138	1105941	1104350	N/A
SPIN24 Yellow, Red, Blue or White Spokes	24 x 1"	Primo	8881159332 See Note(s) D	1026138	1105941	1104350	N/A
SPIN24 Black Spokes	24 x 1"	Schwalbe	1154229	1139813	1105941	1104350	N/A
SPIN24 Yellow, Red, Blue or White Spokes	24 x 1"	Schwalbe	8881159332 See Note(s) D	1139813	1105941	1104350	N/A
SPLX24 Black, Yellow, Red, Blue or White Spokes	24 x 1"	Primo	8881159332 See Note(s) D	1026138	1105941	1104350	N/A

## Spoke Rear Wheels (w/o Handrims) (Before 9/2/11)

Wheel Style	Wheel Size	Tire Type	Wheel Assembly	Tire	Tube/Insert	Bearing	Hub Spacer
SPLX24 Black, Yellow, Red, Blue or White Spokes	24 x 1"	Schwalbe	8881159332 See Note(s) D	1139813	1105941	1104350	N/A
FN1624	24 x 1"	Primo	8881159332 See Note(s) D	1026138	1105941	40117X021	N/A
FN1624	24 x 1"	Pneumatic	8881159332 See Note(s) D	40176X060	40176X061	40117X021	N/A
FN1624	24 x 1"	KIK	8881159332 See Note(s) D	1062852	N/A	40117X021	N/A
FN1624	24 x 1"	Schwalbe	8881159332 See Note(s) D	1139813	1105941	40117X021	N/A
559TS	25 x 1"	Primo	1116717-NLA	1044947	1029471	40117X021	1015756
599TS	25 x 1"	Primo Treaded Pneumatic	1130592-NLA	1130527	1104326	40117X021	1015756
SPIN25 Black Spokes	25 x 1"	Primo	1112348-NLA See Note(s) C	1044947	1104326	1104350	N/A
SPIN25 Yellow, Red, Blue or White Spokes	25 x 1"	Primo	8881159332 See Note(s) D	1044947	1104326	1104350	N/A
SPIN25 Black Spokes	25 x 1"	Primo Treaded Pneumatic	1130593-NLA See Note(s) C	1130527	1104326	1104350	N/A
SPIN25 Yellow, Red, Blue or White Spokes	25 x 1"	Primo Treaded Pneumatic	8881159332 See Note(s) D	1130527	1104326	1104350	N/A
SPIN25 Black Spokes	25 X 1"	Schwalbe	1154232-NLA See Note(s) B	1139814	1104326	1104350	N/A
SPIN25 Yellow, Red, Blue or White Spokes	25 x 1"	Schwalbe	8881159332 See Note(s) D	1139814	1104326	1104350	N/A
SPLX25 Black, Yellow, Red, Blue or White Spokes	25 x 1"	Primo	8881159332 See Note(s) D	1044947	1104326	1104350	N/A
SPLX25 Black, Yellow, Red, Blue or White Spokes	25 x 1"	Primo Treaded Pneumatic	8881159332 See Note(s) D	1130527	1104326	1104350	N/A



## Spoke Rear Wheels (w/o Handrims) (Before 9/2/11)

Wheel Style	Wheel Size	Tire Type	Wheel Assembly	Tire	Tube/Insert	Bearing	Hub Spacer
SPLX25 Black, Yellow, Red, Blue or White Spokes	25 x 1"	Schwalbe	8881159332 See Note(s) D	1139814	1104326	1104350	N/A
FN1625	25 x 1"	Primo	8881159332 See Note(s) D	1044947	1104326	40117X021	N/A
FN1625	25 x 1"	Primo Treaded Pneumatic	8881159332 See Note(s) D	1130527	1104326	40117X021	N/A
FN1625	25 x 1"	KIK	8881159332 See Note(s) D	1144435	N/A	40117X021	N/A
FN1625	25 x 1"	Schwalbe	8881159332 See Note(s) D	1139814	1104326	40117X021	N/A
26HPS	26 x 1-3/8"	Pneumatic	1115652-NLA	1026142	1026140	40117X021	1015756
26HPS	26 x 1-3/8"	Pneumatic	1116725-NLA	N/A	N/A	N/A	N/A
26HPS	26 x 1"	Primo	1115654	1029470	1029471	40117X021	1015756
26HPS	26 x 1"	Schwalbe	1154389-NLA	1139815	1104326	40117X021	N/A
SPIN26 Black Spokes	26 x 1"	Primo	1112343-NLA See Note(s) C	1029470	1104326	1104350	N/A
SPIN26 Yellow, Red, Blue or White Spokes	26 x 1"	Primo	8881159332 See Note(s) D	1029470	1104326	1104350	N/A
SPIN26 Black Spokes	26 x 1"	Schwalbe	1154235-NLA	1139815	1104326	1104350	N/A
SPIN26 Yellow, Red, Blue or White Spokes	26 x 1"	Schwalbe	8881159332 See Note(s) D	1139815	1104326	1104350	N/A
FN1626	26 x 1"	Primo	8881159332 See Note(s) D	1029470	1104326	40117X021	N/A
FN1626	26 x 1"	Pneumatic	8881159332 See Note(s) D	1026142	1026140	40117X021	N/A
FN1626	26 x 1"	Schwalbe	8881159332 See Note(s) D	1139815	1104326	40117X021	N/A
26SP	26 x 1-3/8"	Pneumatic	1116719-NLA	1026142	1026140	40117X021	1015756
26SP	26 x 1"	Primo	1116723-NLA	1029470	1029471	40117X021	1015756
26SP	26 x 1"	Schwalbe	1154390-NLA	1139815	1104326	40117X021	N/A

## Spoke Rear Wheels (w/o Handrims) (Before 9/2/11)

NOTE: A - Stem Hole Plugs (Part Number 1030936) are used with Flat Free and Urethane Tires.  
B - Tire is low profile and dimension stated includes overall diameter.  
C - As of 11/17/08 Spinergy Wheels changed from black spoke, black hub to a black spoke, silver hub appearance. For chairs built Before 11/17/08, it is recommended when one wheel is requested that the wheels be replaced in pairs.  
D - Use the Parts Wheel Configurator when ordering a complete wheel for this model. To omit handrim in the Parts Wheel Configurator, order as a special  
E - Wheels must be replaced in pairs. See Part number 1116710 for replacement.

## Spoke Rear Wheels (w/ Handrims) (After 9/1/11)

**Spoke Wheels are not available with Natural Fit Handrims installed. These Handrims must be ordered separately. See Natural Fit Handrim category.**

### Wheels - Rear w/ Handrims - Lightweight Performance (ITESPK)

Wheel Style	Wheel Size	Tire Type	Anodized Aluminum	Plastic Coated (Black)	Titanium
20ITESPK	20"	Pneumatic	1176796	N/A	N/A
22ITESPK	22"	Pneumatic	1176801	N/A	N/A
24ITESPK	24"	Pneumatic	8881159332 See Note(s) A	8881159332 See Note(s) A	8881159332 See Note(s) A
24ITESPK	24"	Pneumatic w/ FF	8881159332 See Note(s) A	8881159332 See Note(s) A	8881159332 See Note(s) A
24ITESPK	24"	Primo	8881159332 See Note(s) A	8881159332 See Note(s) A	8881159332 See Note(s) A
24ITESPK	24"	KIK	8881159332 See Note(s) A	8881159332 See Note(s) A	8881159332 See Note(s) A
24ITESPK	24"	Schwalbe	8881159332 See Note(s) A	8881159332 See Note(s) A	8881159332 See Note(s) A
26ITESPK	26"	Pneumatic	8881159332 See Note(s) A	8881159332 See Note(s) A	8881159332 See Note(s) A
26ITESPK	26"	Primo	8881159332 See Note(s) A	8881159332 See Note(s) A	8881159332 See Note(s) A
26ITESPK	26"	Schwalbe	8881159332 See Note(s) A	8881159332 See Note(s) A	8881159332 See Note(s) A

NOTE: A - Use the Parts Wheel Configurator when ordering a complete wheel for this model.

When ordering a Spoke Wheel with the Handrim attached (except Wheels ordered thru the Configurator), the standard handrim mounting process uses the outside holes of the handrim mounting tabs. To use the inside mounting holes to reduce the overall width of the chair, you must order the wheel and handrim assembled as a special order.

### Wheels - Rear w/ Handrims - High Performance (HPS)

Wheel Style	Wheel Size	Tire Type	Anodized Aluminum	Plastic Coated (Black)	Titanium
24HPS	24 x 1-3/8"	Pneumatic	1115622	1115623-NLA	1130598-NLA
24HPS	24 x 1-3/8"	Pneumatic w/ Flat Free	1115625-NLA	1115626-NLA	1130599-NLA
24HPS	24 x 1"	Primo	1115628	1115629	1130600-NLA
24HPS	24 x 1"	KIK	1115649	1115650	1130601-NLA
26HPS	26 x 1-3/8"	Pneumatic	1115636-NLA	1115637	1130610-NLA
26HPS	26 x 1"	Primo	1115639-NLA	1115640	1130611-NLA

When ordering a Spoke Wheel with the Handrim attached (except Wheels ordered thru the Configurator), the standard handrim mounting process uses the outside holes of the handrim mounting tabs. To use the inside mounting holes to reduce the overall width of the chair, you must order the wheel and handrim assembled as a special order.

# Spoke Rear Wheels (w/ Handrims) (After 9/1/11)

**Spoke Wheels are not available with Natural Fit Handrims installed. These Handrims must be ordered separately. See Natural Fit Handrim category.**

## Wheels - Rear w/ Handrims - Spinerger (SPIN)

Wheel Style	Wheel Size	Tire Type	Anodized Aluminum	Plastic Coated (Black)	Titanium
SPIN24 Black Spokes	24 x 1"	Primo	1112339 See Note(s) A	N/A	1130602-NLA See Note(s) A
SPIN24 Yellow, Red, Blue or White Spokes	24 x 1"	Primo	8881159332 See Note(s) B	N/A	8881159332 See Note(s) B
SPIN24 Black Spokes	24 x 1"	Schwalbe	8881159332 See Note(s) B	N/A	8881159332 See Note(s) B
SPIN24 Yellow, Red, Blue or White Spokes	24 x 1"	Schwalbe	8881159332 See Note(s) B	N/A	8881159332 See Note(s) B
SPIN25 Black Spokes	25 x 1"	Primo	1112349-NLA See Note(s) A	N/A	1130605-NLA See Note(s) A
SPIN25 Yellow, Red, Blue or White Spokes	25 x 1"	Primo	8881159332 See Note(s) B	N/A	8881159332 See Note(s) B
SPIN25 Black Spokes	25 x 1"	Primo Treaded Pneumatic	1130606-NLA See Note(s) A	N/A	1130607-NLA See Note(s) A
SPIN25 Yellow, Red, Blue or White Spokes	25 x 1"	Primo Treaded Pneumatic	8881159332 See Note(s) B	N/A	8881159332 See Note(s) B
SPIN25 Black Spokes	25 x 1"	Schwalbe	8881159332 See Note(s) B	N/A	8881159332 See Note(s) B
SPIN25 Yellow, Red, Blue or White Spokes	25 x 1"	Schwalbe	8881159332 See Note(s) B	N/A	8881159332 See Note(s) B
SPIN26 Black Spokes	26 x 1"	Primo	1112344-NLA See Note(s) A	N/A	1130612-NLA See Note(s) A
SPIN26 Yellow, Red, Blue or White Spokes	26 x 1"	Primo	8881159332 See Note(s) B	N/A	8881159332 See Note(s) B
SPIN26 Black Spokes	26 x 1"	Schwalbe	8881159332 See Note(s) B	N/A	8881159332 See Note(s) B
SPIN26 Yellow, Red, Blue or White Spokes	26 x 1"	Schwalbe	8881159332 See Note(s) B	N/A	8881159332 See Note(s) B

**NOTE:** A - As of 11/17/08 Spinerger Wheels changed from black spoke, black hub to a black spoke, silver hub appearance. For chairs built Before 11/17/08, it is recommended when one wheel is requested that the wheels be replaced in pairs.  
B - Use the Parts Wheel Configurator when ordering a complete wheel for this model.

When ordering a Spoke Wheel with the Handrim attached (except Wheels ordered thru the Configurator), the standard handrim mounting process uses the outside holes of the handrim mounting tabs. To use the inside mounting holes to reduce the overall width of the chair, you must order the wheel and handrim assembled as a special order.

## Spoke Rear Wheels (w/ Handrims) (After 9/1/11)

**Spoke Wheels are not available with Natural Fit Handrims installed. These Handrims must be ordered separately. See Natural Fit Handrim category.**

### Wheels - Rear w/ Handrims - Spinergy LX (SPLX)

Wheel Style	Wheel Size	Tire Type	Anodized Aluminum	Plastic Coated (Black)	Titanium
SPLX24	24 x 1"	Primo	8881159332 See Note(s) A	N/A	8881159332 See Note(s) A
SPLX24	24 x 1"	Schwalbe	8881159332 See Note(s) A	N/A	8881159332 See Note(s) A
SPLX25	25 x 1"	Primo	8881159332 See Note(s) A	N/A	8881159332
SPLX25	25 x 1"	Primo Treaded Pneumatic	8881159332 See Note(s) A	N/A	8881159332 See Note(s) A
SPLX25	25 x 1"	Schwalbe	8881159332 See Note(s) A	N/A	8881159332 See Note(s) A
SPLX26 Black, Yellow, Red, Blue or White Spokes	26 x 1"	Primo	8881159332 See Note(s) A	N/A	8881159332 See Note(s) A
SPLX26 Black, Yellow, Red, Blue or White Spokes	26 x 1"	Schwalbe	8881159332 See Note(s) A	N/A	8881159332 See Note(s) A

NOTE: A - Use the Parts Wheel Configurator when ordering a complete wheel for this model.

When ordering a Spoke Wheel with the Handrim attached (except Wheels ordered thru the Configurator), the standard handrim mounting process uses the outside holes of the handrim mounting tabs. To use the inside mounting holes to reduce the overall width of the chair, you must order the wheel and handrim assembled as a special order.

### Wheels - Rear w/ Handrims - Sun Fusion (FN)

Wheel Style	Wheel Size	Tire Type	Anodized Aluminum	Plastic Coated (Black)	Titanium
FN1624	24 x 1"	See Note See Note(s) B	8881159332 See Note(s) A	N/A	8881159332 See Note(s) A
FN1625	25 x 1"	See Note See Note(s) B	8881159332 See Note(s) A	N/A	8881159332 See Note(s) A
FN1626	26 x 1"	See Note See Note(s) B	8881159332 See Note(s) A	N/A	8881159332 See Note(s) A

NOTE: A - Use the Parts Wheel Configurator when ordering a complete wheel for this model.

B - Fusion Wheel offered in (Primo 24", 25", 26"), (Primo Treaded 25"), (Pneumatic 24", 26"), (KIK 24", 25"), (Schwalbe 24", 25", 26") Tires. Use the Parts Wheel Configurator when ordering a complete wheel for this model.

When ordering a Spoke Wheel with the Handrim attached (except Wheels ordered thru the Configurator), the standard handrim mounting process uses the outside holes of the handrim mounting tabs. To use the inside mounting holes to reduce the overall width of the chair, you must order the wheel and handrim assembled as a special order.

## Spoke Rear Wheels (w/ Handrims) (After 9/1/11)

**Spoke Wheels are not available with Natural Fit Handrims installed. These Handrims must be ordered separately. See Natural Fit Handrim category.**

### Wheels - Rear w/ Handrims - 559 Turbo Spoke (559TS)

Wheel Style	Wheel Size	Tire Type	Anodized Aluminum	Plastic Coated (Black)	Titanium
559TS	25 x 1"	Primo	1115610	1115611-NLA	N/A
559TS	25 x 1"	Primo Treaded Pneumatic	1130603-NLA	1130604-NLA	N/A

When ordering a Spoke Wheel with the Handrim attached (except Wheels ordered thru the Configurator), the standard handrim mounting process uses the outside holes of the handrim mounting tabs. To use the inside mounting holes to reduce the overall width of the chair, you must order the wheel and handrim assembled as a special order.

## Spoke Rear Wheels (w/ Handrims) (Before 9/2/11)

**Spoke Wheels are not available with Natural Fit Handrims installed. These Handrims must be ordered separately. See Natural Fit Handrim category.**

Wheel Style	Wheel Size	Tire Type	Anodized Aluminum	Plastic Coated (Black)	Titanium
20SP	20 x 1-3/8"	Pneumatic	1115584-NLA	1115423-NLA	N/A
20SP	20 x 1-3/8"	Pneumatic w/ Flat Free	1115586	1115424-NLA	N/A
22SP	22 x 1-3/8"	Pneumatic	1115588-NLA	1115591-NLA	N/A
22SP	22 x 1-3/8"	Pneumatic w/ Flat Free	1115590-NLA	1115593	N/A
24SP	24 x 1-3/8"	Pneumatic	1115594-NLA	1115599	1130594-NLA
24SP	24 x 1-3/8"	Pneumatic w/ Flat Free	1115597	1115601	1130595-NLA
24SP	24 x 1"	Primo	1115602-NLA	1115603-NLA	1130596-NLA
24SP	24 x 1"	Schwalbe	N/A	N/A	N/A
24SP	24 x 1"	KIK	1115645	1115646	1130597-NLA
24HPS	24 x 1-3/8"	Pneumatic	1115622	1115623-NLA	1130598-NLA
24HPS	24 x 1-3/8"	Pneumatic w/ Flat Free	1115625-NLA	1115626-NLA	1130599-NLA
24HPS	24 x 1"	Primo	1115628	1115629	1130600-NLA
24HPS	24 x 1"	KIK	1115649	1115650	1130601-NLA
SPIN24 Black Spokes	24 x 1"	Primo	1112339 See Note(s) A	N/A	1130602-NLA See Note(s) A
SPIN24 Yellow, Red, Blue or White Spokes	24 x 1"	Primo	8881159332 See Note(s) B	N/A	8881159332 See Note(s) B
SPIN24 Black Spokes	24 x 1"	Schwalbe	8881159332 See Note(s) B	N/A	8881159332 See Note(s) B
SPIN24 Yellow, Red, Blue or White Spokes	24 x 1"	Schwalbe	8881159332 See Note(s) B	N/A	8881159332 See Note(s) B
SPLX24	24 x 1"	Primo	8881159332 See Note(s) B	N/A	8881159332 See Note(s) B
SPLX24	24 x 1"	Schwalbe	8881159332 See Note(s) B	N/A	8881159332 See Note(s) B
FN1624	24 x 1"	See Note See Note(s) C	8881159332 See Note(s) C	N/A	8881159332 See Note(s) C
559TS	25 x 1"	Primo	1115610	1115611-NLA	N/A
559TS	25 x 1"	Primo Treaded Pneumatic	1130603-NLA	1130604-NLA	N/A
SPIN25 Black Spokes	25 x 1"	Primo	1112349-NLA See Note(s) A	N/A	1130605-NLA See Note(s) A
SPIN25 Yellow, Red, Blue or White Spokes	25 x 1"	Primo	8881159332 See Note(s) B	N/A	8881159332 See Note(s) B

## Spoke Rear Wheels (w/ Handrims) (Before 9/2/11)

**Spoke Wheels are not available with Natural Fit Handrims installed. These Handrims must be ordered separately. See Natural Fit Handrim category.**

Wheel Style	Wheel Size	Tire Type	Anodized Aluminum	Plastic Coated (Black)	Titanium
SPIN25 Black Spokes	25 x 1"	Primo Treaded Pneumatic	1130606-NLA See Note(s) A	N/A	1130607-NLA See Note(s) A
SPIN25 Yellow, Red, Blue or White Spokes	25 x 1"	Primo Treaded Pneumatic	8881159332 See Note(s) B	N/A	8881159332 See Note(s) B
SPIN25 Black Spokes	25 x 1"	Schwalbe	8881159332 See Note(s) B	N/A	8881159332 See Note(s) B
SPIN25 Yellow, Red, Blue or White Spokes	25 x 1"	Schwalbe	8881159332 See Note(s) B	N/A	8881159332 See Note(s) B
SPLX25	25 x 1"	Primo	8881159332 See Note(s) B	N/A	8881159332 See Note(s) B
SPLX25	25 x 1"	Primo Treaded Pneumatic	8881159332 See Note(s) B	N/A	8881159332 See Note(s) B
SPLX25	25 x 1"	Schwalbe	8881159332 See Note(s) B	N/A	8881159332 See Note(s) B
FN1625	25 x 1"	See Note See Note(s) C	8881159332 See Note(s) C	N/A	8881159332 See Note(s) C
26SP	26 x 1-3/8"	Pneumatic	1115613-NLA	1115614-NLA	1130608-NLA
26SP	26 x 1"	Primo	1115616-NLA	1115617-NLA	1130609-NLA
26HPS	26 x 1-3/8"	Pneumatic	1115636-NLA	1115637	1130610-NLA
26HPS	26 x 1"	Primo	1115639-NLA	1115640	1130611-NLA
SPIN26 Black Spokes	26 x 1"	Primo	1112344-NLA See Note(s) A	N/A	1130612-NLA See Note(s) A
SPIN26 Yellow, Red, Blue or White Spokes	26 x 1"	Primo	8881159332 See Note(s) B	N/A	8881159332 See Note(s) B
SPIN26 Black Spokes	26 x 1"	Schwalbe	8881159332 See Note(s) B	N/A	8881159332 See Note(s) B
SPIN26 Yellow, Red, Blue or White Spokes	26 x 1"	Schwalbe	8881159332 See Note(s) B	N/A	8881159332 See Note(s) B
SPLX26 Black, Yellow, Red, Blue or White Spokes	26 x 1"	Primo	8881159332 See Note(s) B	N/A	8881159332 See Note(s) B
SPLX26 Black, Yellow, Red, Blue or White Spokes	26 x 1"	Schwalbe	8881159332 See Note(s) B	N/A	8881159332 See Note(s) B
FN1626	26 x 1"	See Note See Note(s) C	8881159332 See Note(s) C	N/A	8881159332 See Note(s) C



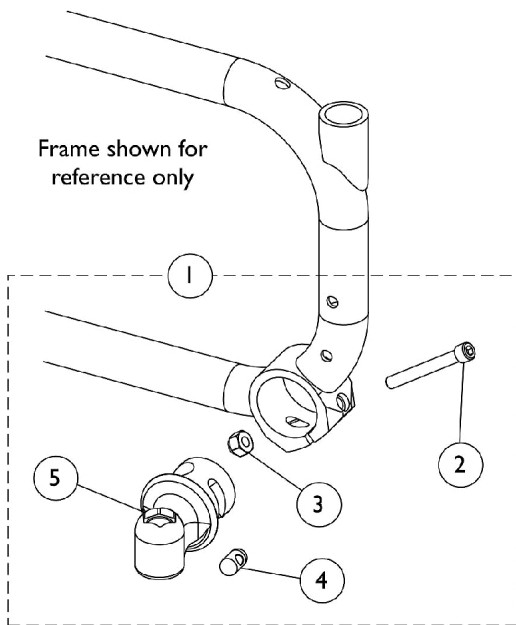
## Spoke Rear Wheels (w/ Handrims) (Before 9/2/11)

**Spoke Wheels are not available with Natural Fit Handrims installed. These Handrims must be ordered separately. See Natural Fit Handrim category.**

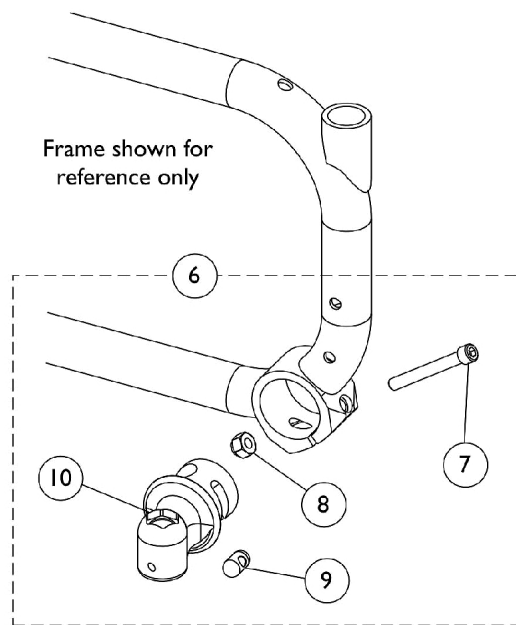
NOTE: A - As of 11/17/08 Spinegy Wheels changed from black spoke, black hub to a black spoke, silver hub appearance. For chairs built Before 11/17/08, it is recommended when one wheel is requested that the wheels be replaced in pairs.  
B - Use the Parts Wheel Configurator when ordering a complete wheel for this model.  
C - Fusion Wheel offered in (Primo 24", 25", 26"), (Primo Treaded 25"), (Pneumatic 24", 26"), (KIK 24", 25"), (Schwalbe 24", 25", 26") Tires. Use the Parts Wheel Configurator when ordering a complete wheel for this model.

When ordering a Spoke Wheel with the Handrim attached (except Wheels ordered thru the Configurator), the standard handrim mounting process uses the outside holes of the handrim mounting tabs. To use the inside mounting holes to reduce the overall width of the chair, you must order the wheel and handrim assembled as a special order.

# Headtubes w/ Hardware



**Chairs without Caster Swivel Locks**



**Chairs with Caster Swivel Locks**

## Headtubes w/ Hardware

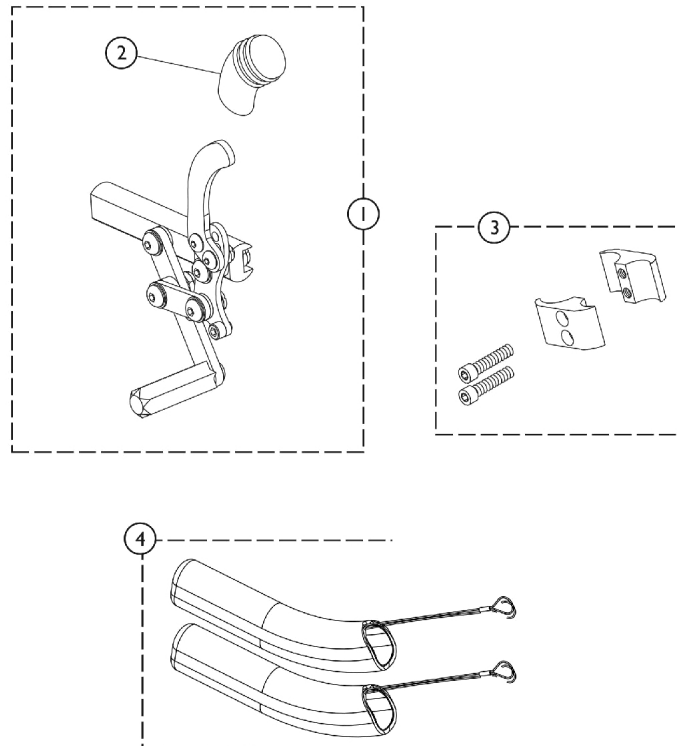
Item Number	Note	Part Number	Description	Quantity Per	
				Package	Assembly
1	A	1130530	Kit, Caster Headtubes with Hardware, Clear Anodized	1	1
2			Screw, Socket Head (1/4-28 x 2")	1	2
3			Locknut (1/4-28)	1	2
4			Pin, Threaded (3/8" x 3/4")	1	2
5			Headtube, Caster, Clear Anodized - Right	1	1
5			Headtube, Caster, Clear Anodized - Left	1	1
1	A	1154354	Kit, Caster Headtubes with Hardware, Black Anodized	1	1
2			Screw, Socket Head (1/4-28 x 2")	1	2
3			Locknut (1/4-28)	1	2
4			Pin, Threaded (3/8" x 3/4")	1	2
5			Headtube, Caster, Black Anodized - Right	1	1
5			Headtube, Caster, Black Anodized - Left	1	1
6	B	1141354	Kit, Caster Headtubes with Hardware, Clear Anodized	1	1
7			Screw, Socket Head (1/4-28 x 2")	1	2
8			Locknut (1/4-28)	1	2
9			Pin, Threaded (3/8" x 3/4")	1	2
10			Headtube, Caster Swivel Lock, Clear Anodized - Right	1	1
10			Headtube, Caster Swivel Lock, Clear Anodized - Left	1	1
6	B	1154357	Kit, Caster Headtubes with Hardware, Black Anodized	1	1
7			Screw, Socket Head (1/4-28 x 2")	1	2
8			Locknut (1/4-28)	1	2
9			Pin, Threaded (3/8" x 3/4")	1	2
10			Headtube, Caster Swivel Lock, Black Anodized - Right	1	1
10			Headtube, Caster Swivel Lock, Black Anodized - Left	1	1

NOTE: A - Chairs without Caster Swivel Locks. Includes items 2-5.  
 B - Chairs with Caster Swivel Locks. Includes items 7-10.

# Wheel Locks & Attaching Hardware

## Push/Pull to Lock

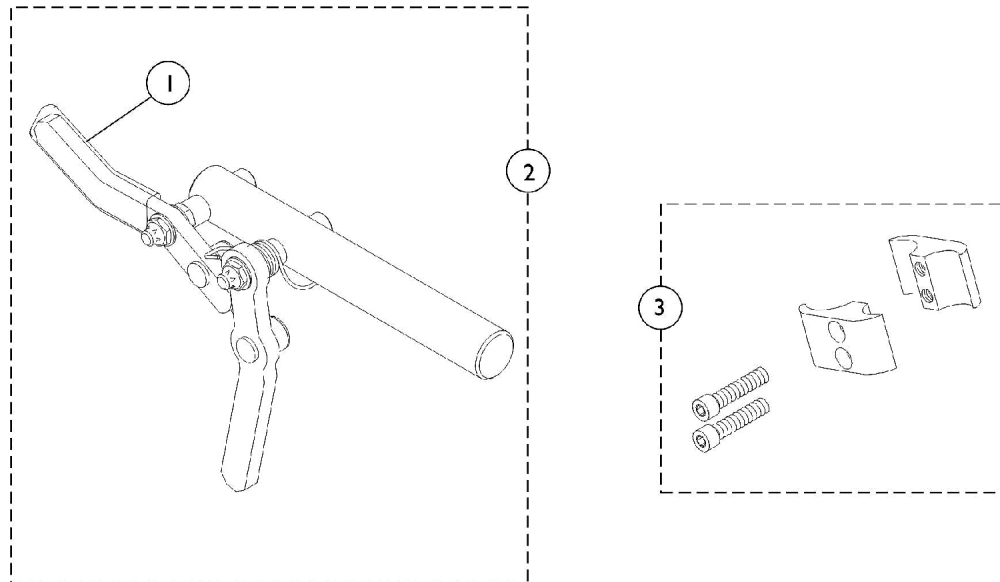
Wheel Locks can be converted from Push to Pull or Pull to Push. See Prospin X4 Owner's Manual (1125104) for instructions.



Item Number	Note	Part Number	Description	Quantity Per	
				Package	Assembly
1	A,C	1125459	Wheel Lock Assembly, Push/Pull - Right	1	1
1	A,C	1125460	Wheel Lock Assembly, Push/Pull - Left	1	1
1	B,C	1134129	Wheel Lock Assembly, Push/Pull for Amputee - Right	1	1
1	B,C	1134130	Wheel Lock Assembly, Push/Pull for Amputee - Left	1	1
2		1130584	Package, Cap, Brake Lever End, Black	10	1
3	D	1068210-NLA	Kit, Wheel Lock Attaching Hardware (1" Tubing)	1	1
			Screw, Allen Head (1/4-20 x 1")	1	2
			Clamp, Half, Non-Threaded	1	1
			Clamp, Half, Threaded	1	1
4		1146498	Handle, Wheel Lock Extension, Black (6") (Pair)	1	2

NOTE: A - Chairs without Amputee Attachment  
 B - Chairs with Amputee Attachment  
 C - Wheel Locks can be converted from Push to Pull or Pull to Push. See Owner's Manual for instructions.  
 D - Includes 2 ea. half clamps and 2 ea. screws

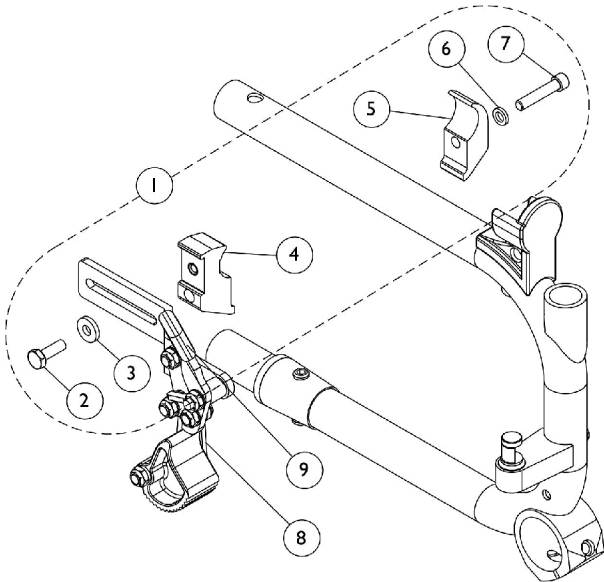
# Hideaway Undermount Wheel Locks (HUMW)



Item Number	Note	Part Number	Description	Quantity Per	
				Package	Assembly
1		1006490	Tip, Plastic, Black	1	1
2		1093376-NLA	NLA - Wheel Lock Assembly, Undermount - Right	1	1
2		1093377-NLA	NLA - Wheel Lock Assembly, Undermount - Left	1	1
3	A	1068210-NLA	Kit, Wheel Lock Attaching Hardware (1" Tubing)	1	1
			Screw, Allen Head (1/4-20 x 1")	1	2
			Clamp, Half, Non-Threaded	1	1
			Clamp, Half, Threaded	1	1

NOTE: A - Includes 2 ea. half clamps and 2 ea. screws

# Hill Holder Wheel Lock & Attaching Hardware

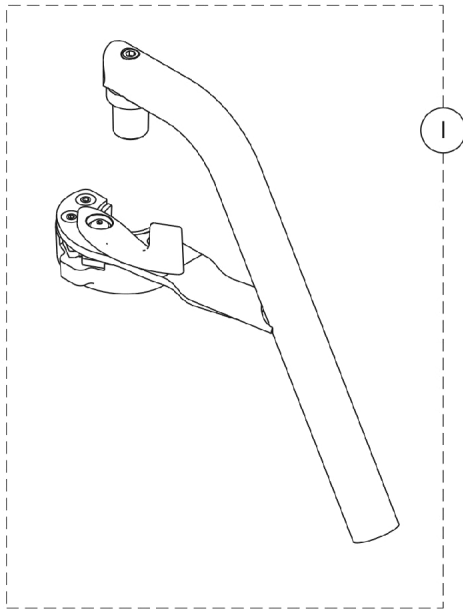


## Hill Holder Wheel Lock & Attaching Hardware

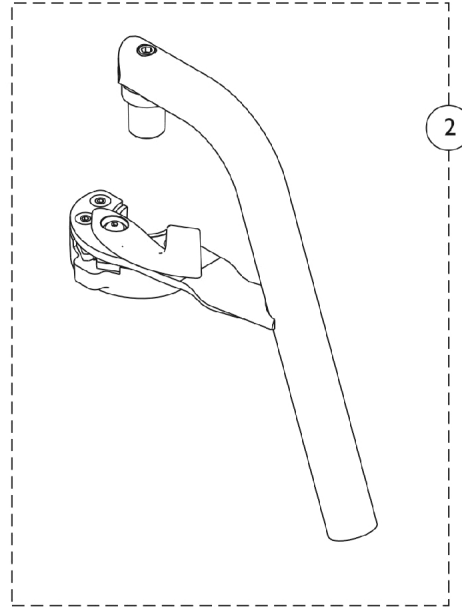
Item Number	Note	Part Number	Description	Quantity Per	
				Package	Assembly
1		1026352	Kit, Wheel Lock Hardware	1	1
2			NLA - Bolt, Hex Head Cap (1/4-20 x 3/4")	1	2
3			Washer (1/4 x 5/8 x 3/32")	1	2
4			NLA - Clamp, Half, Threaded	1	2
5			NLA - Clamp, Half, Non-Threaded	1	2
6			Washer, Nylon (1/4 x 7/16 x 5/64")	1	2
7			Screw, Socket Head (1/4-20 x 1-1/4")	1	2
8		1026712	Hill Holder Wheel Lock Assembly - Right	1	1
			Bracket, Black	1	1
			Screw, Socket Button Head (1/4-28 x 5/8")	1	2
			NLA - Screw, Socket Button Head (1/4-28 x 1-1/4")	1	1
			Washer, Nylon (1/4 x 1/2 x 1/32")	1	7
			NLA - Spacer (1/4 x 1/2 x 1/2")	1	1
			Locknut (1/4-28)	1	4
			NLA - Link, Stop, Black	1	1
			NLA - Handle, Wheel Lock, Black - Right	1	1
			Tip, Plastic, Black	1	1
			NLA - Spacer	1	1
			Hill Holder Assembly - Right	1	1
			NLA - Screw, Socket Button Head (1/4-28 x 3/4")	1	1
8		1026713	Hill Holder Wheel Lock Assembly - Left	1	1
			Bracket, Black	1	1
			Screw, Socket Button Head (1/4-28 x 5/8")	1	2
			NLA - Screw, Socket Button Head (1/4-28 x 1-1/4")	1	1
			Washer, Nylon (1/4 x 1/2 x 1/32")	1	7
			NLA - Spacer (1/4 x 1/2 x 1/2")	1	1
			Locknut (1/4-28)	1	4
			Tip, Plastic, Black	1	1
			NLA - Handle, Wheel Lock, Black - Left	1	1
			NLA - Link, Stop, Black	1	1
			NLA - Spacer	1	1
			NLA - Hill Holder Assembly - Left	1	1
			NLA - Screw, Socket Button Head (1/4-28 x 3/4")	1	1
9		1136024-NLA	NLA - Package, Rubber Tip, Wheel Lock Handle, Black	10	2

# Footrest Support Assemblies

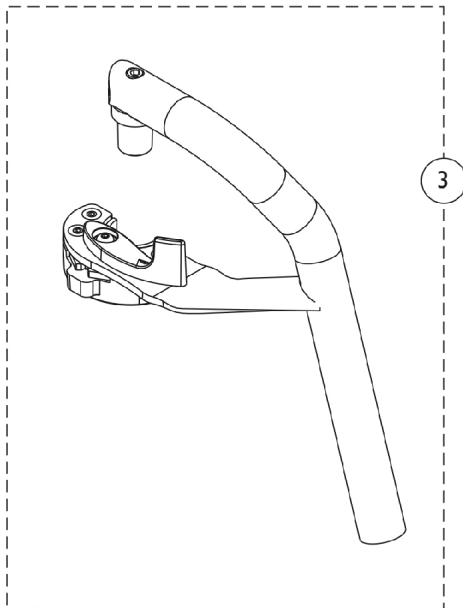
## 60° and 70°



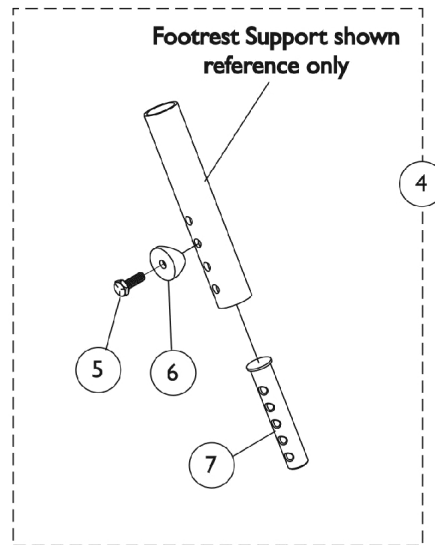
**60° Non-Tapered  
Footrest Support Assembly**



**70° Non-Tapered  
Footrest Support Assembly**



**70° Tapered  
Footrest Support Assembly**



**Slide Tube Mounting  
Hardware**



## Footrest Support Assemblies 60° and 70°

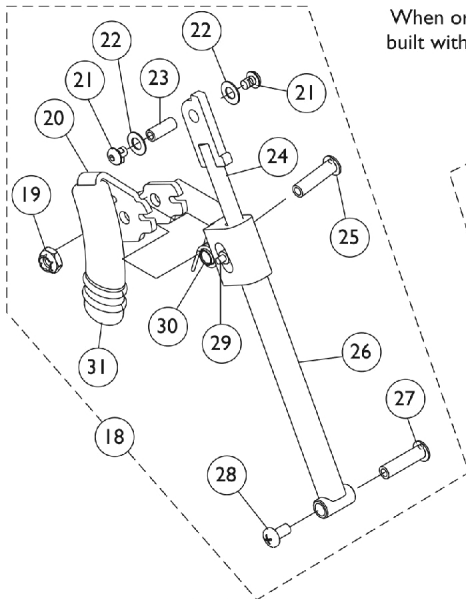
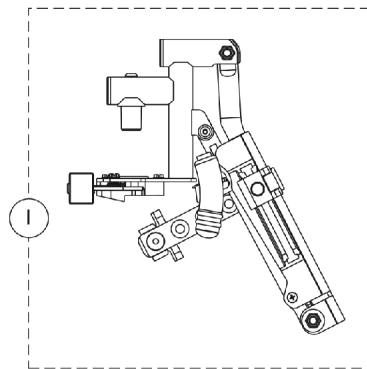
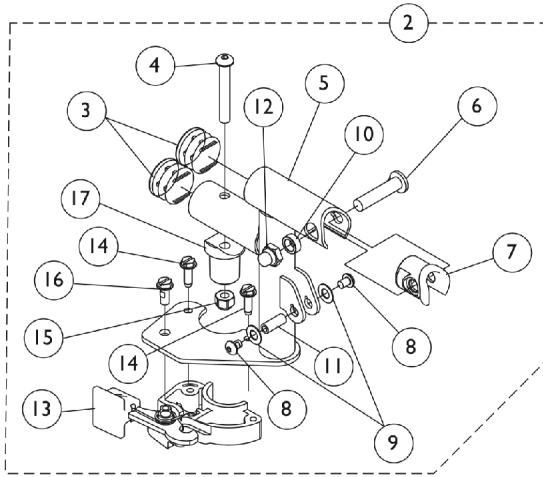
Item Number	Note	Part Number	Description	Quantity Per	
				Package	Assembly
1	A	8881128078	Footrest Support Assembly, 60 Degree Non-Tapered, Sector, Color - Right	1	1
1	A	8881128079	Footrest Support Assembly, 60 Degree Non-Tapered, Sector, Color - Left	1	1
2	A	8881127737	Footrest Support Assembly, 70 Degree Non-Tapered, Sector, Color - Right	1	1
2	A	8881127738	Footrest Support Assembly, 70 Degree Non-Tapered, Sector, Color - Left	1	1
3	A	8881130500	Footrest Support Assembly, 70 Degree Tapered, Sector, Color - Right	1	1
3	A	8881130501	Footrest Support Assembly, 70 Degree Tapered, Sector, Color - Left	1	1
4	B	1026703	Kit, Pivot/Slide Tube Mounting Hardware (Pair)	1	1
5		1045267	Screw, Hex Head w/ Patch (1/4-20 x 3/4")	1	1
6		1026099	Spacer, Coved (1/4 x 11/16 x 1/2")	1	1
7	C	1020534	Insert, Threaded	1	1

NOTE: A - Specify frame finish when ordering  
 B - Includes items 5-7  
 C - As of 8/15/03, the Threaded Insert was revised from 3 to 5 Holes. Threaded Insert is Backward Compatible and does not require ordering in Pairs.

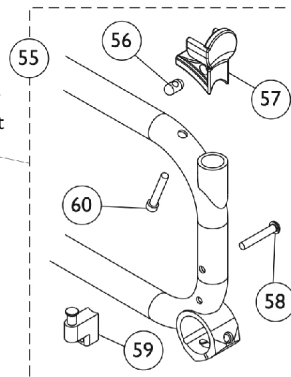
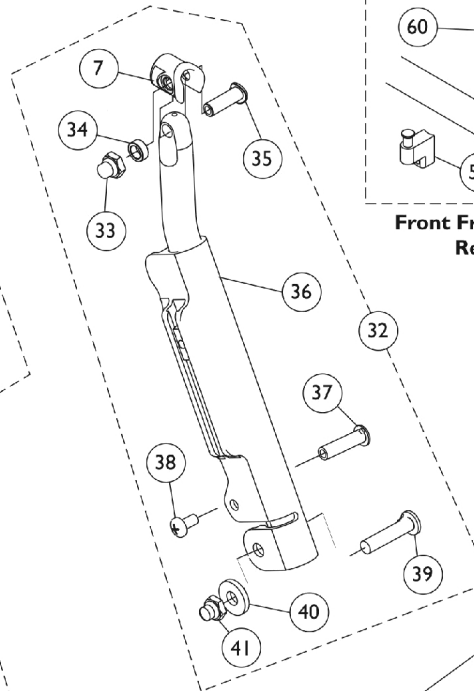
# Elevating Legrest Support Assembly - AT5044

## Wedge Style ("D" shaped tubing) Introduced 1/16/06

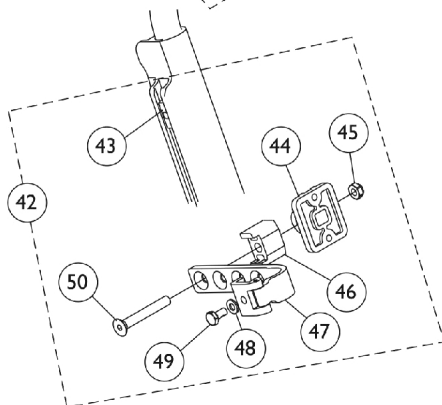
Specify frame finish when ordering. Legrest Support does not include Legrest Pad.



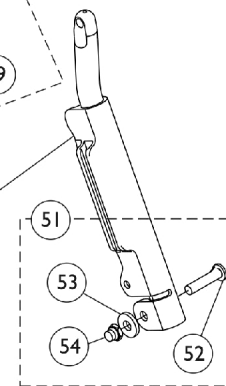
When ordering Legrests for chairs originally built with Footrests, a Front Frame Hdwr. Kit must be ordered as well.



**Front Frame Hardware Retrofit Kit**



Elevating Support Tube shown for reference only



# Elevating Legrest Support Assembly - AT5044

## Wedge Style ("D" shaped tubing) Introduced 1/16/06

Specify frame finish when ordering. Legrest Support does not include Legrest Pad.

Item Number	Note	Part Number	Description	Quantity Per	
				Package	Assembly
1	A,G,H	8881130740	Legrest Support Assembly, Sector, Color - Right	1	1
1	A,G,H	8881130741	Legrest Support Assembly, Sector, Color - Left	1	1
2	B,G	8881130755	Legrest Support Tube Assembly, Sector, Color - Right	1	1
3			Plug Button, Black (1")	1	2
4			Screw, Socket Button Head (1/4-20 x 1-3/4")	1	1
5			Tube, Legrest Support, Sector, Black - Right	1	1
6			Bolt, Lug (5/16-24 x 1-3/8")	1	1
7			Plug, Insert (7/8")	1	1
8			Screw, Socket Button Head w/ Patch (#10-32 x 1/4")	1	2
9			Washer (1/4 x 1/2 x 1/32")	1	2
10			Spacer (5/16 x 1/2 x 3/16")	1	1
11			Spacer, Threaded (10-32 x 1/4 x 5/8")	1	1
12			Nut, Low Cap (5/16"-24)	1	1
13			Housing, Latch - Right	1	1
14			Screw, Slotted Hex Washer Head (#10-32 x 5/8")	1	2
15			Locknut (1/4-20)	1	1
16			Screw, Slotted Hex Washer Head w/ Patch (#10-32 x 1/2")	1	1
17			Pivot, Footrest	1	1
3		1140823	Package, Plug Button, Black (1")	10	1
2	B,G	8881130756	Legrest Support Tube Assembly, Sector, Color - Left	1	1
3			Plug Button, Black (1")	1	2
4			Screw, Socket Button Head (1/4-20 x 1-3/4")	1	1
5			Tube, Legrest Support, Sector, Black - Left	1	1
6			Bolt, Lug (5/16-24 x 1-3/8")	1	1
7			Plug, Insert (7/8")	1	1
8			Screw, Socket Button Head w/ Patch (#10-32 x 1/4")	1	2
9			Washer (1/4 x 1/2 x 1/32")	1	2
10			Spacer (5/16 x 1/2 x 3/16")	1	1
11			Spacer, Threaded (10-32 x 1/4 x 5/8")	1	1
12			Nut, Low Cap (5/16"-24)	1	1
13			Housing, Latch - Left	1	1
14			Screw, Slotted Hex Washer Head (#10-32 x 5/8")	1	2
15			Locknut (1/4-20)	1	1
16			Screw, Slotted Hex Washer Head w/ Patch (#10-32 x 1/2")	1	1
17			Pivot, Footrest	1	1
3		1140823	Package, Plug Button, Black (1")	10	1
18	C	1130749	Kit, Pivot Rod Assembly - Right	1	1

# Elevating Legrest Support Assembly - AT5044

## Wedge Style ("D" shaped tubing) Introduced 1/16/06

Specify frame finish when ordering. Legrest Support does not include Legrest Pad.

Item Number	Note	Part Number	Description	Quantity Per	
				Package	Assembly
19			NLA - Locknut (1/4-20)	1	1
20			Lever, Release - Right	1	1
21			Screw, Socket Button Head w/ Patch (#10-32 x 1/4")	1	2
22			Washer (1/4 x 1/2 x 1/32")	1	2
23			Spacer, Threaded (10-32 x 1/4 x 5/8")	1	1
24			Rod, Pivot	1	1
25			NLA - Screw, Socket Button Head (1/4-20 x 1-1/4")	1	1
26			Guide, Pivot Rod	1	1
27			Rivnut (10-32 x 1")	1	1
28			NLA - Screw, Phillips Pan Head w/Patch (#10-24 x 3/8")	1	1
29			Pin, Roller	1	1
30			Spring, Torsion	1	1
31			Cap, Brake Lever End, Black	1	1
31		1130584	Package, Cap, Brake Lever End, Black	10	1
18	C	1130750	Kit, Pivot Rod Assembly - Left	1	1
19			NLA - Locknut (1/4-20)	1	1
20			Lever, Release - Left	1	1
21			Screw, Socket Button Head w/ Patch (#10-32 x 1/4")	1	2
22			Washer (1/4 x 1/2 x 1/32")	1	2
23			Spacer, Threaded (10-32 x 1/4 x 5/8")	1	1
24			Rod, Pivot	1	1
25			NLA - Screw, Socket Button Head (1/4-20 x 1-1/4")	1	1
26			Guide, Pivot Rod	1	1
27			Rivnut (10-32 x 1")	1	1
28			NLA - Screw, Phillips Pan Head w/Patch (#10-24 x 3/8")	1	1
29			Pin, Roller	1	1
30			Spring, Torsion	1	1
31			Cap, Brake Lever End, Black	1	1
31		1130584	Package, Cap, Brake Lever End, Black	10	1
32	D,G	8881164115-NL A	NLA - Kit, Elevating Support Tube, Color - Right	1	1
7			Plug, Insert (7/8")	1	1
33			Locknut, Nylon Cap (5/16-24)	1	1
34			Spacer (5/16 x 1/2 x 3/16")	1	1
35			Screw, Lug (5/16-24 x 1-3/8")	1	1
36			Tube, Elevating Support, Color - Right	1	1
37			Rivnut, Phillips Pan Head (10-24 x 1")	1	1
38			Screw, Phillips Pan Head w/ Patch (10-24 x 3/8")	1	1
39			Screw, Lug (5/16-24 x 1-3/8")	1	1

# Elevating Legrest Support Assembly - AT5044

## Wedge Style ("D" shaped tubing) Introduced 1/16/06

Specify frame finish when ordering. Legrest Support does not include Legrest Pad.

Item Number	Note	Part Number	Description	Quantity Per	
				Package	Assembly
40			Washer (11/32 x 53/64 x 1/8")	1	1
41			Locknut, Nylon Cap (5/16-24)	1	1
32	D,G	8881164116-NL A	NLA - Kit, Elevating Support Tube, Color - Left	1	1
7			Plug, Insert (7/8")	1	1
33			Locknut, Nylon Cap (5/16-24)	1	1
34			Spacer (5/16 x 1/2 x 3/16")	1	1
35			Screw, Lug (5/16-24 x 1-3/8")	1	1
36			Tube, Elevating Support, Color - Left	1	1
37			Rivnut, Phillips Pan Head (10-24 x 1")	1	1
38			Screw, Phillips Pan Head w/ Patch (10-24 x 3/8")	1	1
39			Screw, Lug (5/16-24 x 1-3/8")	1	1
40			Washer (11/32 x 53/64 x 1/8")	1	1
41			Locknut, Nylon Cap (5/16-24)	1	1
42	F	1130754	Kit, Legrest Pad Hardware	1	1
43			T-Nut (1/4-20)	1	1
44			Plate, Legrest Pad	1	1
45			Locknut (5/16-18)	1	1
46			Spacer, Legrest Pad, Black	1	1
47			Bracket Assembly, Adjustable Legrest Pad, Color	1	1
48			NLA - Washer, Steel (1/4 x 1/2 x 3/64")	1	1
49			Screw, Hex Head w/ Patch (1/4-20 x 1/2")	1	1
50			Screw, Socket Flat Head (5/16-18 x 2-1/4")	1	1
51	E	1130753	Kit, Pivot Slide Tube Attaching Hardware	1	1
52			Screw, Lug (5/16-24 x 1-3/8")	1	1
53			Washer (11/32 x 53/64 x 1/8")	1	1
54			Locknut, Nylon Cap (5/16-24)	1	1
	J	1151367	Kit, Housing Latch Handle w/Hardware - Right	1	1
13			Housing, Latch - Right	1	1
14			Screw, Slotted Hex Washer Head (#10-32 x 5/8")	1	2
16			Screw, Slotted Hex Washer Head w/ Patch (#10-32 x 1/2")	1	1
	J	1151368	Kit, Housing Latch Handle w/Hardware - Left	1	1
13			Housing, Latch - Left	1	1
14			Screw, Slotted Hex Washer Head (#10-32 x 5/8")	1	2
16			Screw, Slotted Hex Washer Head w/ Patch (#10-32 x 1/2")	1	1
55	H,I	1140834	Kit, Front Frame Hardware Retrofit	1	1
56			Pin, Threaded (3/8" x 3/4")	1	2
57			H-Block, Front - Right	1	1
57			H-Block, Front - Left	1	1
58			Screw, Socket Button Head (1/4-20 x 1-1/2")	1	2
59			Block, Sector - Right	1	1

# Elevating Legrest Support Assembly - AT5044

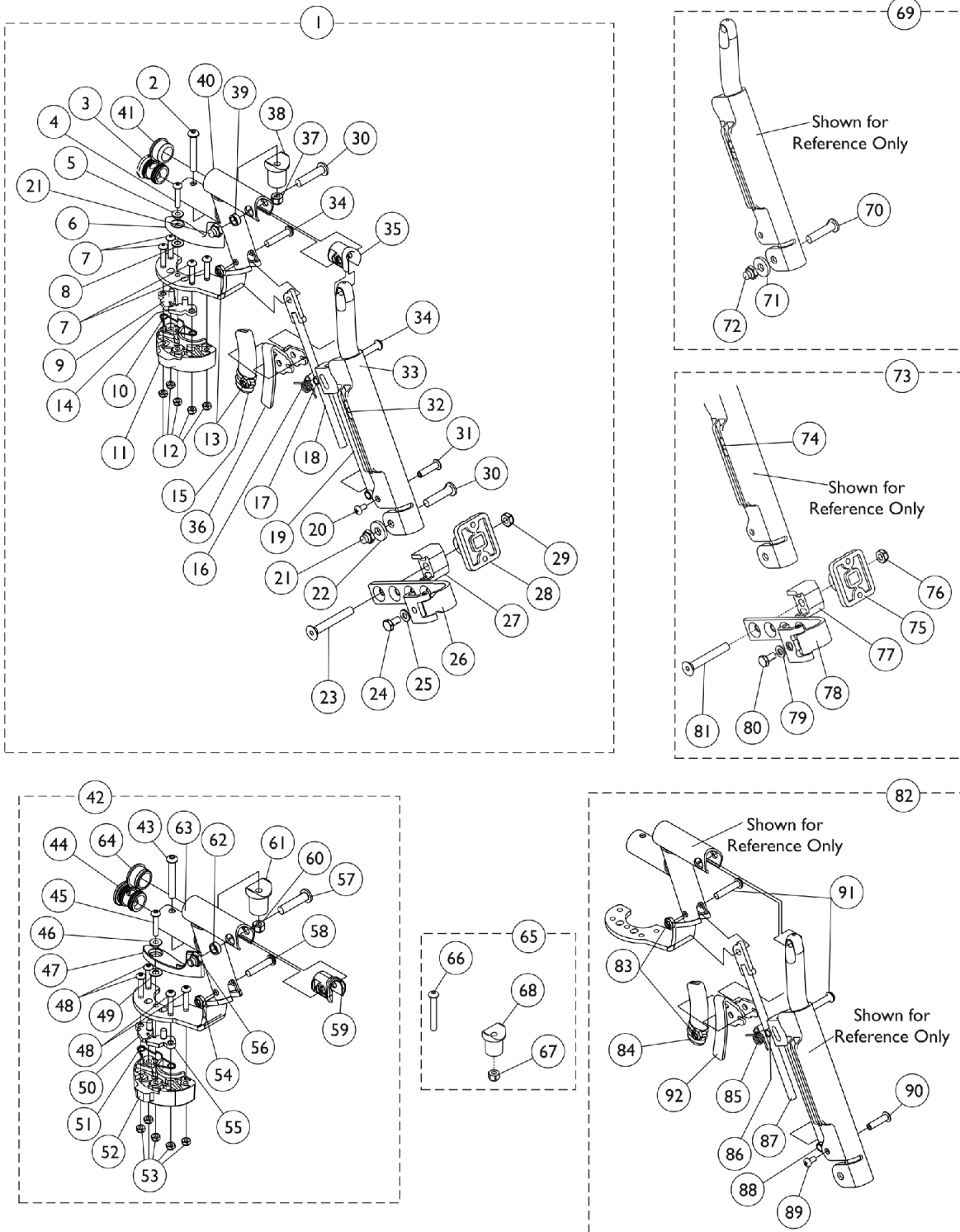
## Wedge Style ("D" shaped tubing) Introduced 1/16/06

Specify frame finish when ordering. Legrest Support does not include Legrest Pad.

Item Number	Note	Part Number	Description	Quantity Per	
				Package	Assembly
59			Block, Sector - Left	1	1
60			Screw, Socket Button Head w/ Patch (1/4-20 x 3/4")	1	2
NOTE: A - Includes items 2,18,32, & 42 B - Includes items 3-17 C - Includes items 19-31 D - Includes items 33-41 E - Includes items 52-54 F - Includes items 43-50 G - Specify frame finish when ordering H - When ordering Legrests for chairs originally built with Footrests then a Front Frame Hardware Retrofit Kit must be ordered as well. I - Includes items 56-60 J - Includes items 13, 14 and 16					

# Elevating Legrest Support Assembly - ELRSS

NOTE: Legrest Support does not include Legrest Pad.



# Elevating Legrest Support Assembly - ELRSS

NOTE: Legrest Support does not include Legrest Pad.

Item Number	Note	Part Number	Description	Quantity Per	
				Package	Assembly
1	A	8881136679	Legrest Support Assembly, Sector, Color - Right	1	1
2			Screw, Socket Button Head (1/4-20 x 1-3/4")	1	1
3			NLA - Plug Button (1")	1	1
4			Screw, Socket Button Head Cap (M6 X .8 X 25mm)	1	1
5			Bushing, Handle	1	1
6			Handle, Release, Black - Right	1	1
7			Screw, Socket Button Head (M6 x .8 x 25mm)	1	4
8			Washer, Nylon (1/4 x 1/2 x 1/32")	1	1
9			Bracket, Swing, Female	1	1
10			Spring, Compression Swing	1	1
11			Block, Sector	1	1
12			Locknut (M5 x .8)	1	5
13			Locknut (1/4-28)	1	2
14			Bracket, Swing, Male	1	1
15			Cap, Brake Lever End, Black	1	1
16			Spring, Torsion	1	1
17			Pin, Roller	1	1
18			Rod, Pivot	1	1
19			Guide, Pivot Rod	1	1
20			NLA - Screw, Phillips Pan Head w/Patch (#10-24 x 3/8")	1	1
21			Nut, Low Cap (5/16"-24)	1	1
22			Washer, Flat (21/64 x 53/64 x 7/64")	1	1
23			Screw, Socket Flat Head (5/16-18 x 2-1/4")	1	1
24			Screw, Hex Head w/ Patch (1/4-20 x 1/2")	1	1
25			Washer (1/4 x 1/2 x 1/16")	1	1
26			Bracket Assembly, Adjustable Legrest Pad, Color	1	1
27			Spacer, Legrest Pad, Black	1	1
28			Plate, Legrest Pad	1	1
29			Locknut (5/16-18)	1	1
30			Bolt, Lug (5/16-24 x 1-3/8")	1	1
31			Rivnut (10-32 x 1")	1	1
32			T-Nut (1/4-20)	1	1
33			Tube, Elevating Support, Color - Right	1	1
34			NLA - Screw, Socket Button Head (1/4-28 x 1-1/4")	1	2
35			Plug, Insert (7/8")	1	1
36			Lever, Release - Right	1	1
37			Locknut (1/4-20)	1	1
38			Pivot, Footrest	1	1
39			Spacer (5/16 x 1/2 x 3/16")	1	1
40			Tube, Legrest Support, Sector, Color - Right	1	1
41			Plug Button, Black (1")	1	1
1	A	8881136680	Legrest Support Assembly, Sector, Color - Left	1	1
2			Screw, Socket Button Head (1/4-20 x 1-3/4")	1	1



# Elevating Legrest Support Assembly - ELRSS

NOTE: Legrest Support does not include Legrest Pad.

Item Number	Note	Part Number	Description	Quantity Per	
				Package	Assembly
3			NLA - Plug Button (1")	1	1
4			Screw, Socket Button Head Cap (M6 X .8 X 25mm)	1	1
5			Bushing, Handle	1	1
6			Handle, Release, Black - Left	1	1
7			Screw, Socket Button Head (M6 x .8 x 25mm)	1	4
8			Washer, Nylon (1/4 x 1/2 x 1/32")	1	1
9			Bracket, Swing, Female	1	1
10			Spring, Compression Swing	1	1
11			Block, Sector	1	1
12			Locknut (M5 x .8)	1	5
13			Locknut (1/4-28)	1	2
14			Bracket, Swing, Male	1	1
15			Cap, Brake Lever End, Black	1	1
16			Spring, Torsion	1	1
17			Pin, Roller	1	1
18			Rod, Pivot	1	1
19			Guide, Pivot Rod	1	1
20			NLA - Screw, Phillips Pan Head w/Patch (#10-24 x 3/8")	1	1
21			Nut, Low Cap (5/16"-24)	1	1
22			Washer, Flat (21/64 x 53/64 x 7/64")	1	1
23			Screw, Socket Flat Head (5/16-18 x 2-1/4")	1	1
24			Screw, Hex Head w/ Patch (1/4-20 x 1/2")	1	1
25			Washer (1/4 x 1/2 x 1/16")	1	1
26			Bracket Assembly, Adjustable Legrest Pad, Color	1	1
27			Spacer, Legrest Pad, Black	1	1
28			Plate, Legrest Pad	1	1
29			Locknut (5/16-18)	1	1
30			Bolt, Lug (5/16-24 x 1-3/8")	1	1
31			Rivnut (10-32 x 1")	1	1
32			T-Nut (1/4-20)	1	1
33			Tube, Elevating Support, Color - Left	1	1
34			NLA - Screw, Socket Button Head (1/4-28 x 1-1/4")	1	2
35			Plug, Insert (7/8")	1	1
36			Lever, Release - Left	1	1
37			Locknut (1/4-20)	1	1
38			Pivot, Footrest	1	1
39			Spacer (5/16 x 1/2 x 3/16")	1	1
40			Tube, Legrest Support, Sector, Color - Left	1	1
41			Plug Button, Black (1")	1	1
42	B	8881134200-NL A	Legrest Support Tube Assembly, Sector, Color - Right	1	1
43			Screw, Socket Button Head (1/4-20 x 1-3/4")	1	1
44			NLA - Plug Button (1")	1	1

# Elevating Legrest Support Assembly - ELRSS

NOTE: Legrest Support does not include Legrest Pad.

Item Number	Note	Part Number	Description	Quantity Per	
				Package	Assembly
45			Screw, Socket Button Head Cap (M6 X .8 X 25mm)	1	1
46			Bushing, Handle	1	1
47			Handle, Release, Black - Right	1	1
48			Screw, Socket Button Head (M6 x .8 x 25mm)	1	4
49			Washer, Nylon (1/4 x 1/2 x 1/32")	1	1
50			Bracket, Swing, Female	1	1
51			Spring, Compression Swing	1	1
52			Block, Sector	1	1
53			Locknut (M5 x .8)	1	5
54			Locknut (1/4-28)	1	1
55			Bracket, Swing, Male	1	1
56			Nut, Low Cap (5/16"-24)	1	1
57			Bolt, Lug (5/16-24 x 1-3/8")	1	1
58			NLA - Screw, Socket Button Head (1/4-28 x 1-1/4")	1	1
59			Plug, Insert (7/8")	1	1
60			Locknut (1/4-20)	1	1
61			Pivot, Footrest	1	1
62			Spacer (5/16 x 1/2 x 3/16")	1	1
63			Tube, Legrest Support, Sector, Color - Right	1	1
64			Plug Button, Black (1")	1	1
42	B	8881134201-NL A	Legrest Support Tube Assembly, Sector, Color - Left	1	1
43			Screw, Socket Button Head (1/4-20 x 1-3/4")	1	1
44			NLA - Plug Button (1")	1	1
45			Screw, Socket Button Head Cap (M6 X .8 X 25mm)	1	1
46			Bushing, Handle	1	1
47			Handle, Release, Black - Left	1	1
48			Screw, Socket Button Head (M6 x .8 x 25mm)	1	4
49			Washer, Nylon (1/4 x 1/2 x 1/32")	1	1
50			Bracket, Swing, Female	1	1
51			Spring, Compression Swing	1	1
52			Block, Sector	1	1
53			Locknut (M5 x .8)	1	5
54			Locknut (1/4-28)	1	1
55			Bracket, Swing, Male	1	1
56			Nut, Low Cap (5/16"-24)	1	1
57			Bolt, Lug (5/16-24 x 1-3/8")	1	1
58			NLA - Screw, Socket Button Head (1/4-28 x 1-1/4")	1	1
59			Plug, Insert (7/8")	1	1
60			Locknut (1/4-20)	1	1
61			Pivot, Footrest	1	1
62			Spacer (5/16 x 1/2 x 3/16")	1	1
63			Tube, Legrest Support, Sector, Color - Left	1	1
64			Plug Button, Black (1")	1	1

# Elevating Legrest Support Assembly - ELRSS

NOTE: Legrest Support does not include Legrest Pad.

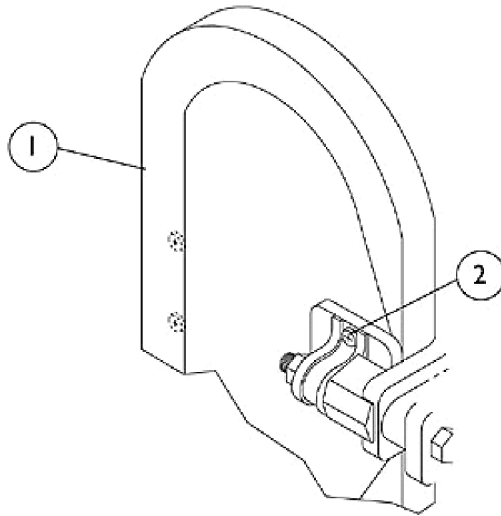
Item Number	Note	Part Number	Description	Quantity Per	
				Package	Assembly
65	C	1151418	Legrest Kit, Pivot	1	1
66			Screw, Socket Button Head (1/4-20 x 1-3/4")	1	1
67			Locknut (1/4-20)	1	1
68			Pivot, Footrest	1	1
69	D	1130753	Kit, Pivot Slide Tube Attaching Hardware	1	1
70			Screw, Lug (5/16-24 x 1-3/8")	1	1
71			Washer (11/32 x 53/64 x 1/8")	1	1
72			Locknut, Nylon Cap (5/16-24)	1	1
73	E	1130754	Kit, Legrest Pad Hardware	1	1
74			T-Nut (1/4-20)	1	1
75			Plate, Legrest Pad	1	1
76			Locknut (5/16-18)	1	1
77			Spacer, Legrest Pad, Black	1	1
78			Bracket Assembly, Adjustable Legrest Pad, Color	1	1
79			NLA - Washer, Steel (1/4 x 1/2 x 3/64")	1	1
80			Screw, Hex Head w/ Patch (1/4-20 x 1/2")	1	1
81			Screw, Socket Flat Head (5/16-18 x 2-1/4")	1	1
82	F	1134198-NLA	NLA - Kit, Pivot Rod - Right	1	1
83			Locknut (1/4-28)	1	2
84			Cap, Brake Lever End, Black	1	1
85			Spring, Torsion	1	1
86			Pin, Roller	1	1
87			Rod, Pivot	1	1
88			Guide, Pivot Rod	1	1
89			NLA - Screw, Phillips Pan Head w/Patch (#10-24 x 3/8")	1	1
90			Rivnut (10-32 x 1")	1	1
91			NLA - Screw, Socket Button Head (1/4-28 x 1-1/4")	1	2
92			Lever, Release - Right	1	1
82	F	1134199-NLA	KIT - Kit, Pivot Rod - Left	1	1
83			Locknut (1/4-28)	1	2
84			Cap, Brake Lever End, Black	1	1
85			Spring, Torsion	1	1
86			Pin, Roller	1	1
87			Rod, Pivot	1	1
88			Guide, Pivot Rod	1	1
89			NLA - Screw, Phillips Pan Head w/Patch (#10-24 x 3/8")	1	1
90			Rivnut (10-32 x 1")	1	1
91			NLA - Screw, Socket Button Head (1/4-28 x 1-1/4")	1	2
92			Lever, Release - Left	1	1

# Elevating Legrest Support Assembly - ELRSS

**NOTE: Legrest Support does not include Legrest Pad.**

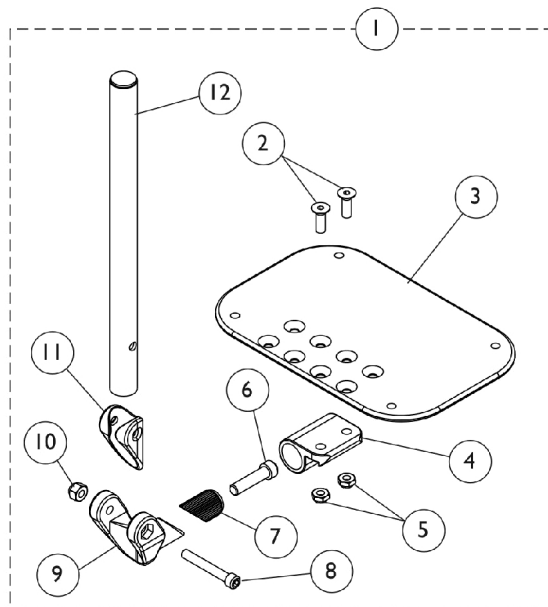
NOTE: A - Includes items 2-41. Specify frame color when ordering, see category titled, "Frame Finishes and Touch-Up Paint."  
B - Includes items 43-64. Specify frame color when ordering, see category titled, "Frame Finishes and Touch-Up Paint."  
C - Includes items 66-68  
D - Includes items 70-72  
E - Includes items 74-81  
F - Includes items 83-92

# Legrest Calf Pads

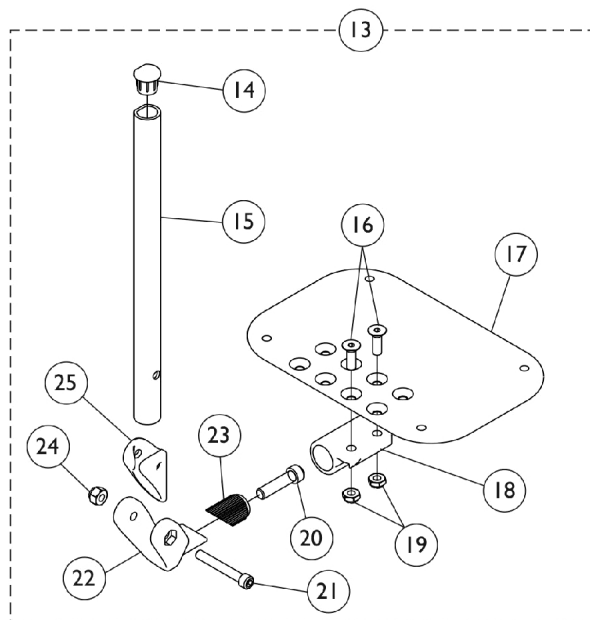


Item Number	Note	Part Number	Description	Quantity Per	
				Package	Assembly
1	B,A	88804529X003	Pad, Legrest, Vinyl - Right	1	1
1	B,A	88804529X004	Pad, Legrest, Vinyl - Left	1	1
1	C,A	8881091764	Pad, Legrest, Vinyl - Right/Left	1	1
2		1025716	Screw, Phillips Pan Head (#10-32 x 11/16")	1	2
NOTE: A - Specify U67 upholstery color when ordering. B - 14-15" Wide Chairs C - 16-20" Wide Chairs					

# Front Riggings - Adjustable Angle Footplate Assemblies - AT5543



**Used on 60 Degree and 70 Degree Footrests**



**Used on Wedge Style AT5044 and ELRSS Elevating Legrests**

## Front Riggings - Adjustable Angle Footplate Assemblies - AT5543

Item Number	Note	Part Number	Description	Quantity Per	
				Package	Assembly
1	C	See Chart	60 Degree and 70 Degree - Non Tapered Footrests	1	1
1	C	See Chart	70 Degree - Tapered Footrests	1	1
2		1113578	Screw, Socket Flat Head (1/4-28 x 3/4")	1	2
3	F	1113572	Footplate, Adjustable Angle, Medium, Black (4-1/4" W x 8" L)	1	1
3	F	1113573	Footplate, Adjustable Angle, Large, Black (5-1/4" W x 8" L)	1	1
3	F	1113574	Footplate, Adjustable Angle, Extra Large, Black (6-1/4" W x 8" L)	1	1
3	F	1113575	Footplate, Adjustable Angle, XX- Large, Black (7-1/4" W x 8" L)	1	1
4		1113528	Bracket, Adjustable Angle Footplate, Black	1	1
5		1025765	Locknut (1/4-28)	1	2
6		1021344	Screw, Socket Head (5/16-18 x 1-1/2")	1	1
7		1113530	Attachment, Hinge	1	1
8		1096810	Screw, Socket Head (1/4-28 x 1-3/4")	1	1
9		1113529	Hinge, Adjustable Angle Footrest	1	1
10		1065362	Locknut (1/4-28)	1	1
11		1114688	Spacer, Hinge, Black	1	1
12	A	1114699	Tube, Pivot/Slide, Straight, Black (10-1/4")	1	1
12	B	1114700	Tube, Pivot/Slide, Straight, 2" Longer ALPT, Black (12-1/4")	1	1
13	D	See Chart	Wedge Style AT5044 and ELRSS Elevating Legrests	1	1
14		1134427	Package, Plug Button, Black, "D" Shaped (3/4")	10	1
15	E	1134433	Pivot/Slide Tube w/ D Insert, Black	1	1
15	E	1134432	Pivot/Slide Tube w/ D Insert, Black (2" Longer)	1	1
16		1113578	Screw, Socket Flat Head (1/4-28 x 3/4")	1	2
17		1113573	Footplate, Adjustable Angle, Large, Black (5-1/4" W x 8" L)	1	1
17		1113574	Footplate, Adjustable Angle, Extra Large, Black (6-1/4" W x 8" L)	1	1
17		1113575	Footplate, Adjustable Angle, XX- Large, Black (7-1/4" W x 8" L)	1	1
18		1113528	Bracket, Adjustable Angle Footplate, Black	1	1
19		1025765	Locknut (1/4-28)	1	2
20		1021343	Screw, Socket Head (5/16-18 x 1-1/4")	1	1
21		1096810	Screw, Socket Head (1/4-28 x 1-3/4")	1	1
22		1113529	Hinge, Adjustable Angle Footrest	1	1
23		1113530	Attachment, Hinge	1	1
24		1065362	Locknut (1/4-28)	1	1
25		1114688	Spacer, Hinge, Black	1	1

# Front Riggings - Adjustable Angle Footplate Assemblies - AT5543

NOTE: A - 60° and 70° Footrests  
 B - ALPT 2" Longer  
 C - Includes items 2-12  
 D - Includes items 14-25  
 E - Wedge Style AT5044 and ELRSS Elevating Legrests  
 F - This footplate was revised 9/2/2008 with rounder corners and accessory holes changed from 8 to 4. Recommended to replace footplate in pairs to match sides.

## #1 Adjustable Angle Footplates w/ Pivot Tubes

### 60 Degree and 70 Degree - Non Tapered Footrests

Straight Slide Tube (10-1/4")	Right	Left
14-15" Wide (5-1/4" Footplate)	1114642	1114643
16-17" Wide (6-1/4" Footplate)	1114644	1114645
18-22" Wide (7-1/4" Footplate)	1114646	1114647
ALPT Straight Slide Tube (12-1/4")	Right	Left
14-15" Wide (5-1/4" Footplate)	1114652	1114653
16-17" Wide (6-1/4" Footplate)	1114654	1114655
18-22" Wide (7-1/4" Footplate)	1114656	1114657

## #1 Adjustable Angle Footplates w/ Pivot Tubes

### 70 Degree - Tapered Footrests

Straight Slide Tube (10-1/4")	Right	Left
16" Wide (4-1/4" Footplate)	1114640	1114641
17-18" Wide (5-1/4" Footplate)	1114642	1114643
19-22" Wide (6-1/4" Footplate)	1114644	1114645
ALPT Straight Slide Tube (12-1/4")	Right	Left
16" Wide (4-1/4" Footplate)	1114650	1114651
17-18" Wide (5-1/4" Footplate)	1114652	1114653
19-22" Wide (6-1/4" Footplate)	1114654	1114655



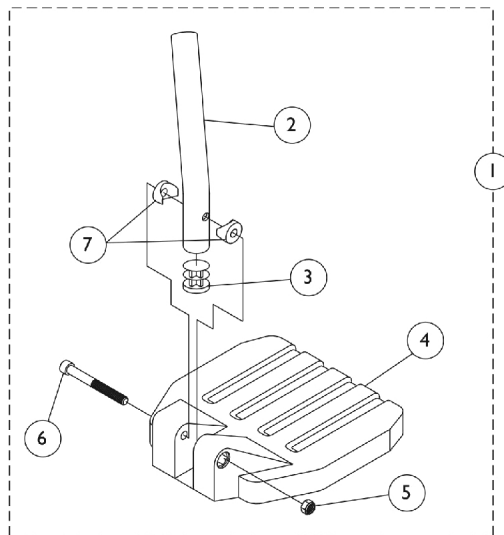
# Front Riggings - Adjustable Angle Footplate Assemblies - AT5543

## #13 Adjustable Angle Footplates w/ Pivot Tubes

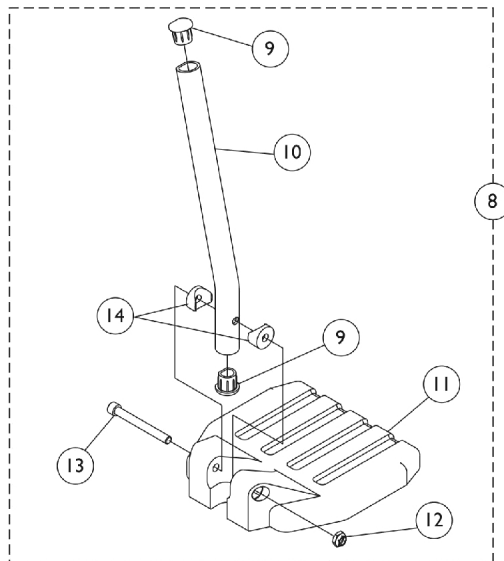
### Wedge Style AT5044 and ELRSS Elevating Legrests

Straight Slide Tube (10-1/4")	Right	Left
14-15" Wide (5-1/4" Footplate)	1132061	1132062
16-17" Wide (6-1/4" Footplate)	1132063	1132064
18-22" Wide (7-1/4" Footplate)	1132065	1132066
ALPT Straight Slide Tube (12-1/4")	Right	Left
14-15" Wide (5-1/4" Footplate)	1132089	1132090
16-17" Wide (6-1/4" Footplate)	1132091	1132092
18-22" Wide (7-1/4" Footplate)	1132093	1132094

# Pivot Tube w/ Footplate Assembly - 1651 Composite



**Used on 60 Degree and 70 Degree Footrests**



**Used on Wedge Style AT5044 and ELRSS Elevating Legrests**

## Pivot Tube w/ Footplate Assembly - 1651 Composite

Item Number	Note	Part Number	Description	Quantity Per	
				Package	Assembly
1	D	See Chart	#1 60° Non-Tapered (13-19")	1	1
1	D	See Chart	#1 70° Non Tapered (14-19")	1	1
1	D	See Chart	#1 70° Tapered (14-1/2-19-1/2")	1	1
2	A	1120382	Tube, Pivot/Slide, Curved End, Black - Long (9-7/8")	1	1
2	A	1120391	Tube, Pivot/Slide, Curved End, 2" Longer ALPT, Black (11-7/8")	1	1
2	B	1120389	Tube, Pivot/Slide, Straight, Black - Long (9-7/8")	1	1
2	B	1120390	Tube, Pivot/Slide, Straight, 2" Longer ALPT, Black (11-7/8")	1	1
3		1134426	Package, Plug Button, Black (3/4")	10	1
4		1026879	Footplate, Composite, Small, Black (6" W x 6" L)	1	1
4		1026880	Footplate, Composite, Medium, Black (7" W x 6" L)	1	1
4		1026881	Footplate, Composite, Large, Black (8" W x 6" L)	1	1
5		1025195	NLA - Locknut (1/4-20)	1	1
6		60285X006	Screw, Socket Head (1/4-20 x 2-1/4")	1	1
7		1025457	Spacer, Coved (1/4 x 3/4 x 11/32")	1	2
8	E	See Chart	#8 AT5044 & ELRSS Elevating Legrest - (16-22")	1	1
9		1134427	Package, Plug Button, Black, "D" Shaped (3/4")	10	1
10	C	1134428	Pivot/Slide Tube w/ D Insert, Black	1	1
10	C	1134429	Pivot/Slide Tube w/ D Insert, Black (2" Longer)	1	1
11		1026879	Footplate, Composite, Small, Black (6" W x 6" L)	1	1
11		1026880	Footplate, Composite, Medium, Black (7" W x 6" L)	1	1
11		1026881	Footplate, Composite, Large, Black (8" W x 6" L)	1	1
12		1025195	NLA - Locknut (1/4-20)	1	1
13		60285X006	Screw, Socket Head (1/4-20 x 2-1/4")	1	1
14		1025457	Spacer, Coved (1/4 x 3/4 x 11/32")	1	2

NOTE: A - 60° Footrests  
 B - 70° Footrests  
 C - AT5044 Wedge Style and ELRSS Elevating Legrests  
 D - Includes items 2-7  
 E - Includes items 9-14

### #1 60° Non-Tapered 13-19" Curved End

Right/Left	Small Long 14" wide	Small 2" Longer 14" wide	Medium Long 15-16" wide	Medium 2" Longer 15-16" wide	Large Long 17-22" wide	Large 2" Longer 17-22" wide
Right	1028391	1120416	1028387	1120418	1028383	1120420
Left	1028392	1120417	1028388	1120419	1028384	1120421

# Pivot Tube w/ Footplate Assembly - 1651 Composite

#1 70° Non Tapered

14-19"

Straight

Right/Left	Small Short 14" wide	Small 2" Longer 14" wide	Medium Short 15-16" wide	Medium 2" Longer 15-16" wide	Large Short 17-22" wide	Large 2" Longer 17-22" wide
Right	1120404	1120410	1120406	1120412	1120408	1120414
Left	1120405	1120411	1120407	1120413	1120409	1120415

#1 70° Tapered

14-1/2 - 19-1/2"

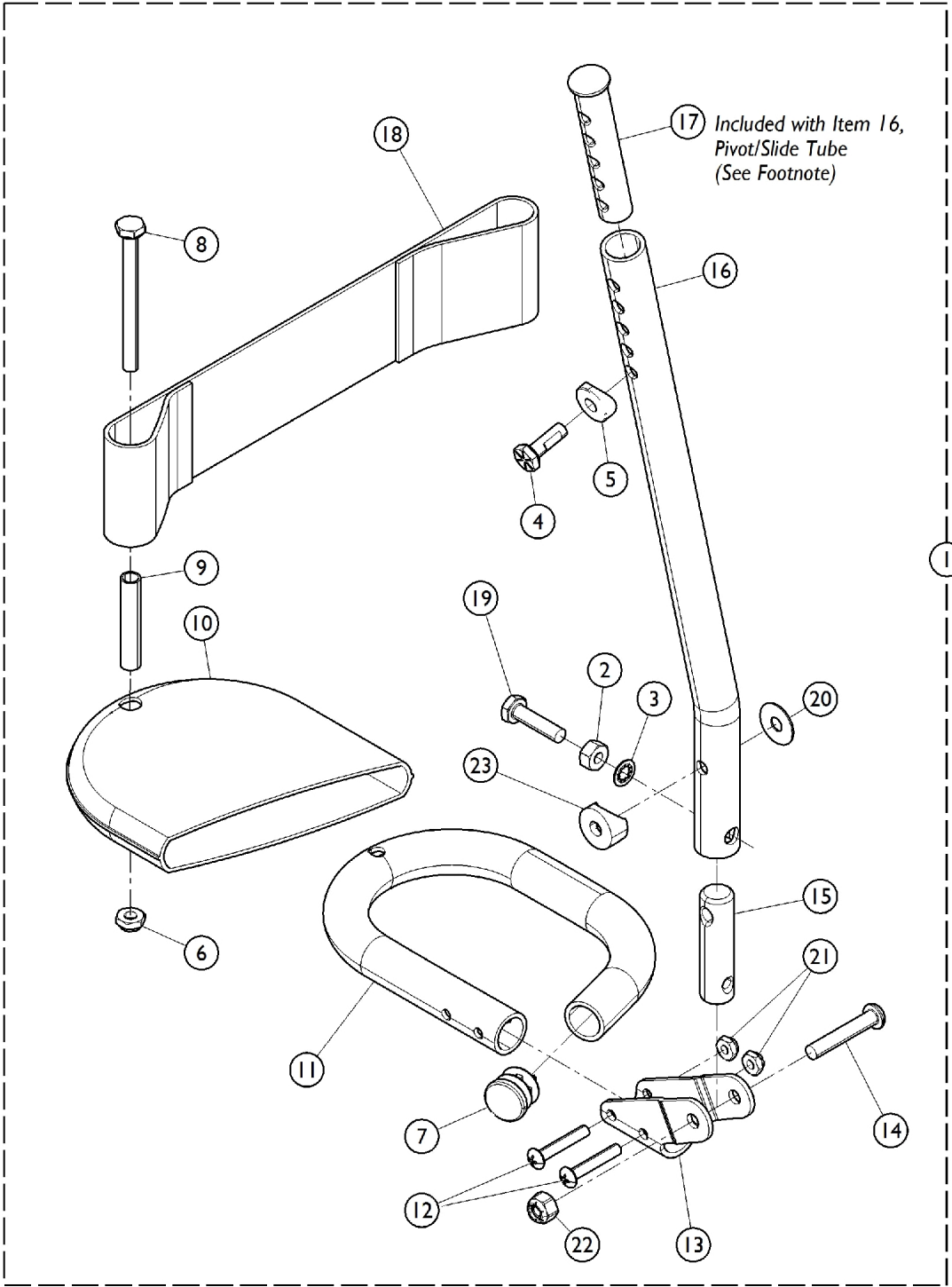
Straight

Right/Left	Small Short 16" wide	Small 2" Longer 16" wide	Medium Short 17-18" wide	Medium 2" Longer 17-18" wide	Large Short 19-22" wide	Large 2" Longer 19-22" wide
Right	1120404	1120410	1120406	1120412	1120408	1120414
Left	1120405	1120411	1120407	1120413	1120409	1120415

#8 AT5044 & ELRSS Elevating Legrest -  
16-22" Curved End

Right/Left	Small Long 14" wide	Small 2" Longer 14" wide	Medium Long 15-16" wide	Medium 2" Longer 15-16" wide	Large Long 17-22" wide	Large 2" Longer 17-22" wide
Right	1132078	1132107	1132080	1132109	1132082	1132111
Left	1132079	1132108	1132081	1132110	1132083	1132112

# Pivot Tube w/ Footplate Assembly - Tubular w/ Attaching Hardware and Heel Loops



## Pivot Tube w/ Footplate Assembly - Tubular w/ Attaching Hardware and Heel Loops

Item Number	Note	Part Number	Description	Quantity Per	
				Package	Assembly
1	B,F	1026695-NLA	NLA - Tubular Footplate Assembly, Medium - Right	1	1
1	B,F	1026696-NLA	NLA - Tubular Footplate Assembly, Medium - Left	1	1
1	C,F	1055509-NLA	NLA - Tubular Footplate Assembly, 2" Longer, Medium - Right	1	1
1	C,F	1055510-NLA	NLA - Tubular Footplate Assembly, 2" Longer, Medium - Left	1	1
1	D,F	1026699-NLA	NLA - Tubular Footplate Assembly, Large - Right	1	1
1	D,F	1026700-NLA	NLA - Tubular Footplate Assembly, Large - Left	1	1
1	E,F	1055511-NLA	NLA - Tubular Footplate Assembly, 2" Longer, Large - Right	1	1
1	E,F	1055512-NLA	NLA - Tubular Footplate Assembly, 2" Longer, Large - Left	1	1
2		1025711-NLA	NLA - Nut, Hex (1/4-20)	1	1
3		1026108	Lockwasher (1/4 x 15/32 x 1/64")	1	1
4		1045267	Screw, Hex Head w/ Patch (1/4-20 x 3/4")	1	1
5		1026099	Spacer, Coved (1/4 x 11/16 x 1/2")	1	1
6		1025195	NLA - Locknut (1/4-20)	1	1
7		1027097	Plug Button, Black (3/4")	1	1
8		1025709-NLA	NLA - Screw, Hex Head (1/4-20 x 2-3/4")	1	1
9		1006477-NLA	NLA - Spacer (1/4 x 11/32 x 1-3/4")	1	1
10	G	1008552-NLA	NLA - Cover, Footplate - Medium	1	1
10		1008553-NLA	NLA - Cover, Footplate - Large	1	1
11		1026404-NLA	NLA - Tube, Footrest, Black - Medium	1	1
11		1026405-NLA	NLA - Tube, Footrest, Black - Large	1	1
12		1025714	Screw, Phillips Pan Head (#10-32 x 1-1/8")	1	2
13		1012182-NLA	NLA - Bracket, Pivot, Black	1	1
14		1023968-NLA	NLA - Screw, Socket Button Head (1/4-20 x 1-7/16")	1	1
15	G	1012158-NLA	NLA - Insert, Lower Slide Tube	1	1
16	A	1026406-NLA	NLA - Tube, Pivot/Slide w/ Threaded Insert, Black	1	1
16	A	1020533-NLA	NLA - Tube, Pivot/Slide w/ Threaded Insert, Black (2" Longer)	1	1
18		1017621	Heel Loop - Right/Left	1	1
17	A	1020534	Insert, Threaded	1	1
19		1025713-NLA	NLA - Screw, Hex Head (1/4-20 x 1")	1	1
20		1025456	Washer, Nylon (3/4 x 1/4 x 1/32")	1	1
21		1025735	Locknut (#10-32)	1	2
22		1025736	Locknut (1/4-20)	1	1
23		1025457	Spacer, Coved (1/4 x 3/4 x 11/32")	1	1

## **Pivot Tube w/ Footplate Assembly - Tubular w/ Attaching Hardware and Heel Loops**

NOTE: A - The Slide Tube (Item 16) Includes the Threaded Insert (Item 17), Item 17 can also be ordered separately. As of 8/15/03, the Threaded Insert was revised from 3 to 5 Holes. Threaded Insert is Backward Compatible and does not require ordering in Pairs.

B - 14-15" Non-Tapered Footrest; 16-22" Tapered Footrests.

C - 14-15" Non-Tapered Footrest; 16-22" Tapered Footrests.

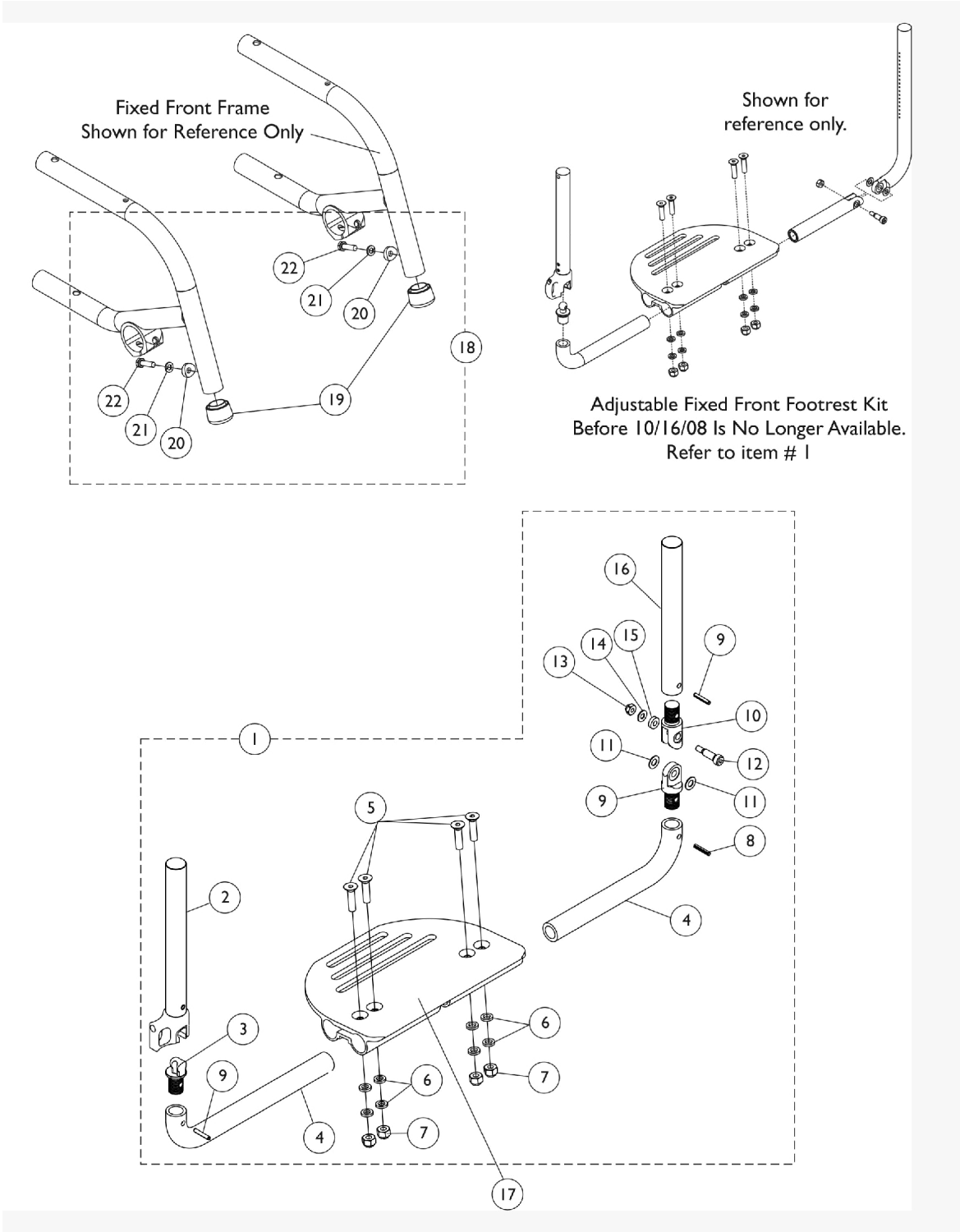
D - 16-22" Non-Tapered Footrest.

E - 16-22" Non-Tapered Footrest; 18-22" Tapered Footrests.

F - Includes items 1-22.

G - Part number is no longer available as a service part individually. See item 1 and order a complete Tubular Footplate Assembly as a replacement..

# One Piece Adjustable Angle Flip-Up Footplate - AT5545





# One Piece Adjustable Angle Flip-Up Footplate - AT5545

Item Number	Note	Part Number	Description	Quantity Per	
				Package	Assembly
1	A,B,E	1161928	Kit, Adjustable Fixed Front Footrest, Silver (14 - 17" W)	1	1
2			Footrest Tube Assembly	1	1
3			Pin, Threaded Ball	1	1
4			Tube, Footrest Lower Support (14 - 17" W)	1	2
5			Screw, Socket Flat Head (1/4-28 x 1")	1	4
6			Washer, Nylon (1/4 x 7/16 x 5/64")	1	8
7			Locknut (1/4-28)	1	4
8			NLA - Pin, Roll (3/16 x 3/4")	1	3
9			Pin, Threaded Pivot Joint - Male	1	1
10			Pin, Threaded Pivot Joint - Female	1	1
11			NLA - Washer (1/4 x 1/2 x 1/16")	1	2
12			Screw, Shoulder Hex Socket Head (1/4 x 5/8", #10-24)	1	1
13			Locknut, Stainless Steel (10-24)	1	1
14			Washer, Stainless Steel (3/16 x 7/16 x 1/32")	1	1
15			NLA - Washer, Nylon (3/16 x 7/16 x 1/8")	1	1
16			Insert, Adjustable Handle	1	1
1	B,C,E	1161929	Kit, Adjustable Fixed Front Footrest, Silver (18 - 20" W)	1	1
2			Footrest Tube Assembly	1	1
3			Pin, Threaded Ball	1	1
4			Tube, Footrest Lower Support (18 - 20" W)	1	2
5			Screw, Socket Flat Head (1/4-28 x 1")	1	4
6			Washer, Nylon (1/4 x 7/16 x 5/64")	1	8
7			Locknut (1/4-28)	1	4
8			NLA - Pin, Roll (3/16 x 3/4")	1	3
9			Pin, Threaded Pivot Joint - Male	1	1
10			Pin, Threaded Pivot Joint - Female	1	1
11			NLA - Washer (1/4 x 1/2 x 1/16")	1	2
12			Screw, Shoulder Hex Socket Head (1/4 x 5/8", #10-24)	1	1
13			Locknut, Stainless Steel (10-24)	1	1
14			Washer, Stainless Steel (3/16 x 7/16 x 1/32")	1	1
15			NLA - Washer, Nylon (3/16 x 7/16 x 1/8")	1	1
16			Insert, Adjustable Handle	1	1
17		See Chart	#17 Footplate, Adjustable Angle Flip-Up (Silver) 14"-17" W Chairs	1	1
17		See Chart	#17 Footplate, Adjustable Angle Flip-Up (Silver) 18"-20" W Chairs	1	1
18	D	1142122	Hardware Kit, Footrest, Flip-Up	1	1
19			Collar, Anti-Rattle	1	2
20			Spacer, Coved (1/4 x 11/16 x 1/2")	1	2
21			Lockwasher, Split (1/4")	1	2
22			Screw, Hex Head (1/4-20 x 7/8")	1	2

# One Piece Adjustable Angle Flip-Up Footplate - AT5545

NOTE: A - 14-17" wide chairs. Includes items 2-16, footplate is Not included.  
 B - Includes footrest tube, ball socket, pins, release handle, spring, and screws.  
 C - 18-20" wide chairs. Includes items 2-16, footplate is Not included.  
 D - Includes items 19-22.  
 E - Adjustable Fixed Front Footrest Kit was revised 10/16/08 and is backward compatible for chairs built before 10/16/08

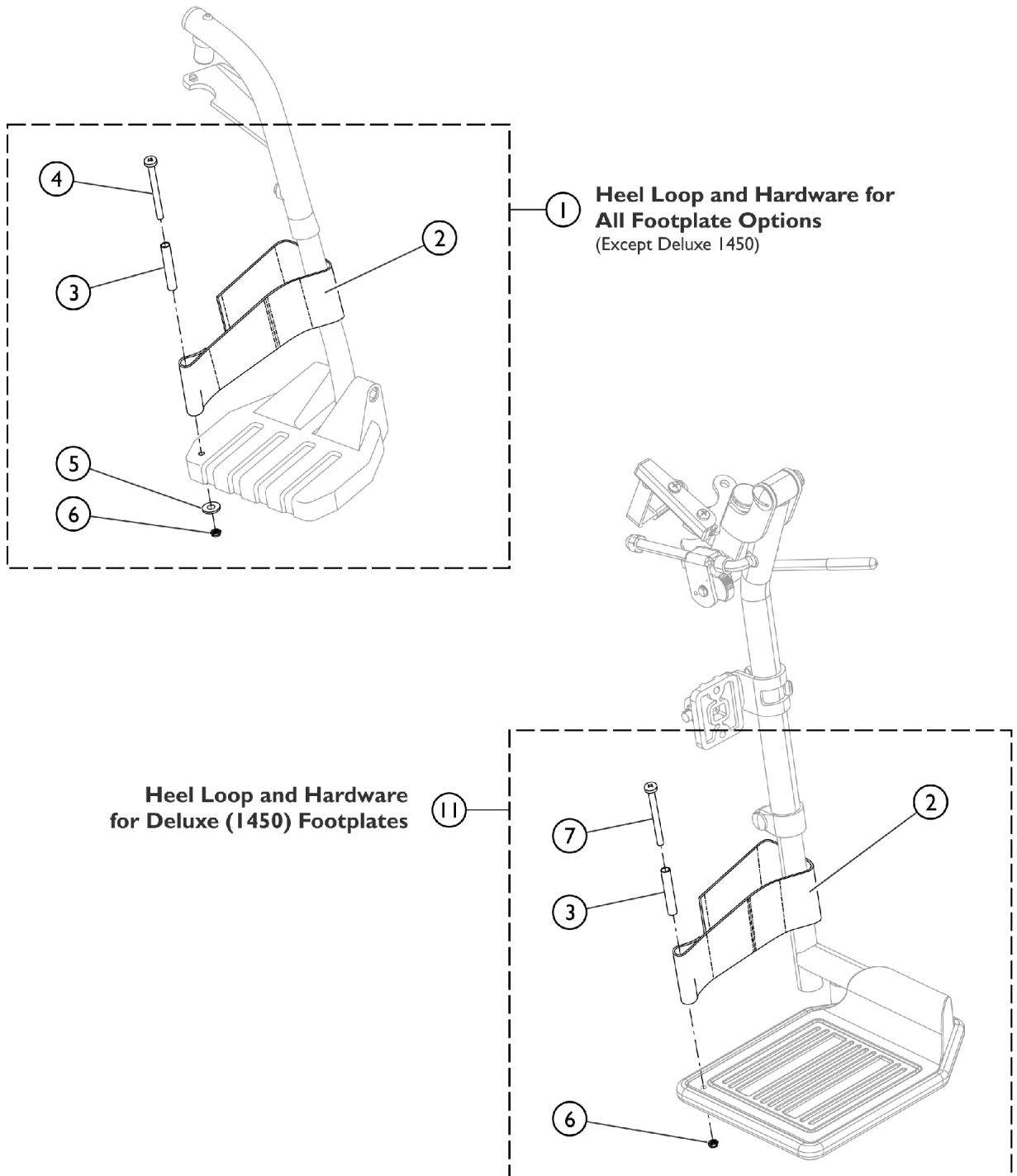
## #17 Adjustable Angle Flip-Up Footplate (Silver) 14"-17" W Chairs

14"-15" W	16"-17" W
1161924	1161925
See Note(s) A	See Note(s) B
NOTE: A - As of 10/16/08 14"-15" wide chairs use the same Adjustable Angle Flip-Up Footplate. Footplate is backward compatible for all 15" wide models built before 10/16/08 as well. B - As of 10/16/08 16"-17" wide chairs use the same Adjustable Angle Flip-Up Footplate. Footplate is backward compatible for all 17" wide models built before 10/16/08 as well.	

## #17 Adjustable Angle Flip-Up Footplate (Silver) 18"-20" W Chairs

18" W	19" W	20" W
1161926-NLA	1161926-NLA	1161926-NLA

# Front Riggings - Adjustable Heel Loops

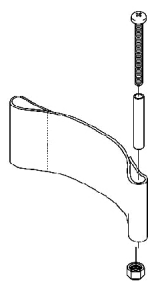


SCM\_058A

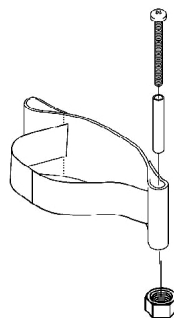
## Front Riggings - Adjustable Heel Loops

Item Number	Note	Part Number	Description	Quantity Per	
				Package	Assembly
1	A	1191117	Kit, Heel Loop, Adjustable w/ Hardware (Pair)	1	1
2			Heel Loop	1	2
3			NLA - Spacer (1/4 x 11/32 x 1-3/4")	1	2
4			NLA - Screw, Phillips Pan Head (1/4-20 x 2-1/4")	1	2
5			Washer, Flat (1/4 x 5/8 x 1/16")	1	2
6			Nut, Hex, Nylon Cap (1/4-20)	1	2
			Instruction Sheet, Adjustable Heel Loop	1	1
11	B	1191116	Kit, Heel Loop, Adjustable w/ Hardware, Deluxe 1450 (Pair)	1	1
2			Heel Loop	1	2
3			NLA - Spacer (1/4 x 11/32 x 1-3/4")	1	2
6			Nut, Hex, Nylon Cap (1/4-20)	1	2
7			NLA - Screw, Phillips Pan Head (1/4-20 x 2-1/2")	1	2
			Instruction Sheet, Adjustable Heel Loop	1	1
NOTE: A - Kit includes items 2 - 6. Used with all Footplates except Deluxe (1450). B - Kit includes items 2, 3, 6, and item 7. Used with Deluxe (1450) Footplates only.					

# Heel Loops



**Heel Loop**



**Heel Loop with Ankle Strap**

## For Adjustable Angle Footplates - AT5543

Footplate Size	Chair Width	Heel Loop Single #	Heel Loop Pair #	Heel Loop w/ Ankle Strap Single # Right	Heel Loop w/ Ankle Strap Single # Left	Heel Loop w/ Ankle Strap Pair #	Attaching Hardware Pair #
Medium (4-1/4" Wide)	14-15" Wide or Tapered 16" Wide	1025234-NLA	1035905	1035908-NLA	1035909-NLA	1035906	1035931
Large (5-1/4" Wide)	16-17" Wide or Tapered 17-18" Wide	1017621	1035917-NLA	1053313-NLA	1053314-NLA	1053329	1035931
X-Large (6-1/4" Wide)	18-22" Wide or Tapered 19-22" Wide	1027000	1035929	1035932-NLA	1035933-NLA	1035930	1035931
XX-Large (7-1/4" Wide)	18-22" Wide or Tapered 19-22" Wide	1027000	1035929	1035932-NLA	1035933-NLA	1035930	1035931

# Heel Loops

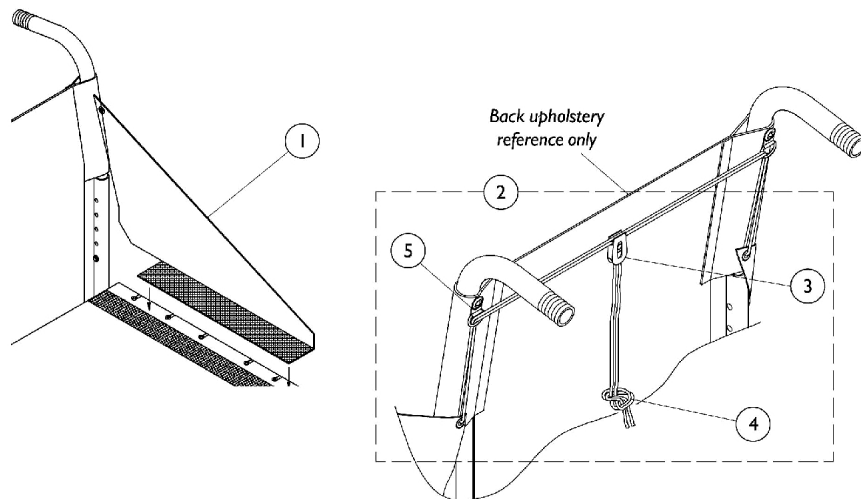
## For Composite Footplates - 1651

Footplate Size	Chair Width	Heel Loop Single #	Heel Loop Pair #	Heel Loop w/ Ankle Strap Single # Right	Heel Loop w/ Ankle Strap Single # Left	Heel Loop w/ Ankle Strap Pair #	Attaching Hardware Pair #
Small (6" Wide)	14" Wide or Tapered 16-17" Wide	1025234-NLA	1035905	1035908-NLA	1035909-NLA	1035906	1035931
Medium (7" Wide)	15-16" Wide or Tapered 18-22" Wide	1017621	1035917-NLA	1035919	1035920	1035918	1035931
Large (8" Wide)	17-22" Wide or Tapered 19-22" Wide	1027000	1035929	1035932-NLA	1035933-NLA	1035930	1035931

## Heel Loop Attaching Hardware Kit

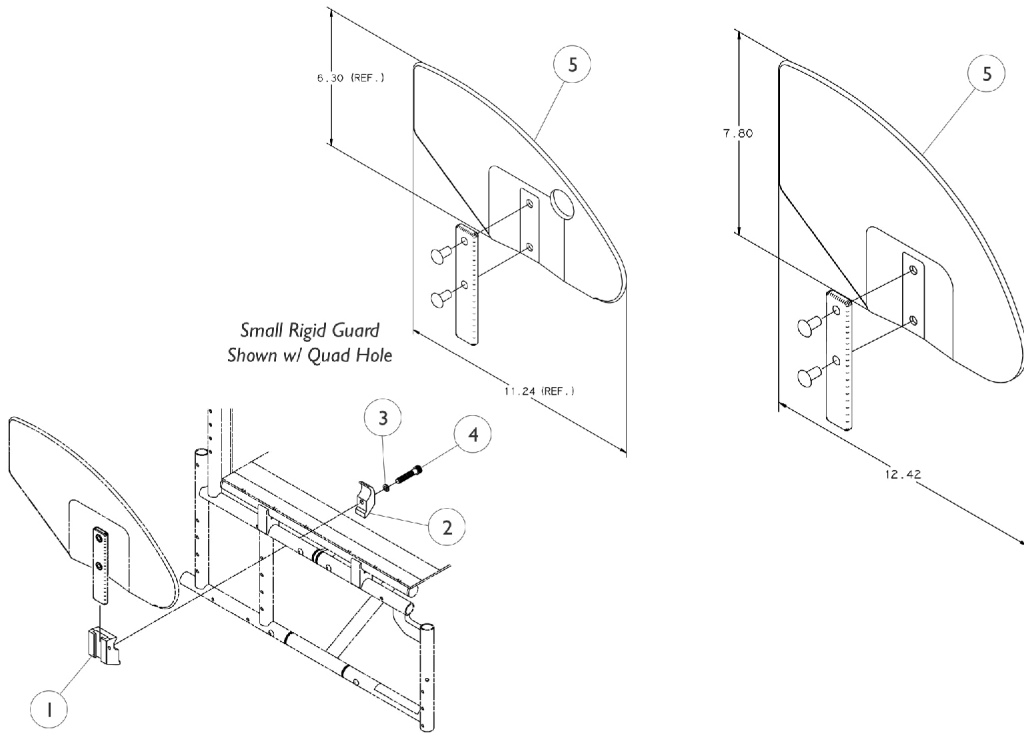
1035931
See Note(s) A
(2) Screw, Phillips Pan Head (1/4-20 x 2-1/4") (2) Spacer (1/4 x 11/32 x 1-3/4") (2) Hex Nut w/ Nylon Cap (1/4-20) (2) Flat Washer (1/4 x 5/8 x 1/16")
NOTE: A - Includes hardware for (1) pair of footplates

# Fabric Clothing Protectors



Item Number	Note	Part Number	Description	Quantity Per	
				Package	Assembly
1	A,D	8881028448-NL A	NLA - Protector, Clothing, Fabric - Right	1	1
1	A,D	8881028449-NL A	NLA - Protector, Clothing, Fabric - Left	1	1
1	B,D	1028450	Protector, Clothing, Fabric - Right	1	1
1	B,D	1028451-NLA	NLA - Protector, Clothing, Fabric - Left	1	1
2	C	1029438	Kit, Fabric Clothing Protector Hardware	1	1
3			Lock, Cord, Black	1	1
4			Cord, Nylon (6-1/2 ft.)	1	1
5			NLA - Ring, "D"	1	2
NOTE: A - 14-15" Deep B - 16-22" Deep C - Includes items 3-5 D - Specify Upholstery Color.					

# Rigid Side Guard



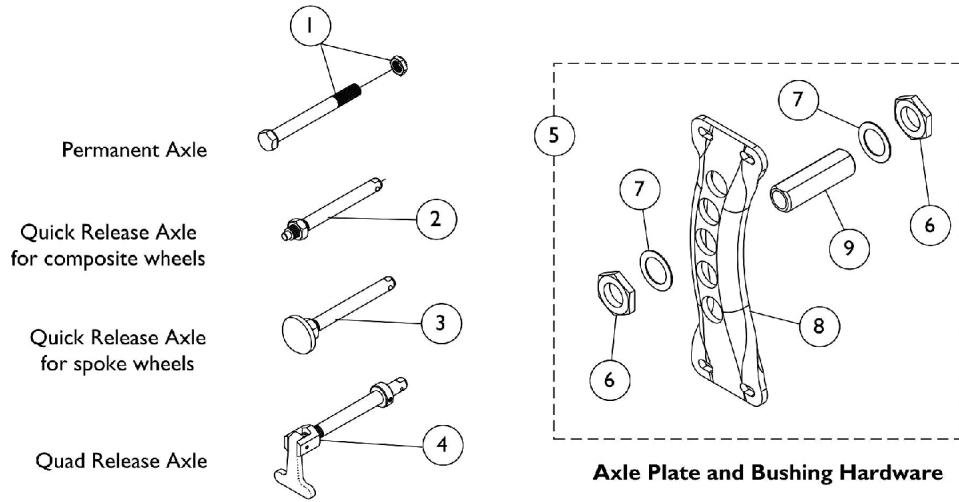


## Rigid Side Guard

Item Number	Note	Part Number	Description	Quantity Per	
				Package	Assembly
1	A,B	1032249	Clamp, Half, Threaded	1	2
2		1018692-NLA	NLA - Clamp, Half, Non-Threaded	1	2
3		1013971	Washer, Nylon (1/4 x 7/16 x 5/64")	1	2
4		1003545	Screw, Socket Head (1/4-20 x 1-1/4")	1	2
5		1036342	Kit, Side Guard Hardware (Pair)	1	1
5		1036346	Guard, Side, Small w/o Quad Hole - Right (6-1/4" H x 11-1/4" D)	1	1
5		1036347	Guard, Side, Small w/o Quad Hole - Left (6-1/4" H x 11-1/4" D)	1	1
5		1036407	Guard, Side, Small w/ Quad Hole - Right (6-1/4" H x 11-1/4" D)	1	1
5		1036408	Guard, Side, Small w/ Quad Hole - Left (6-1/4" H x 11-1/4" D)	1	1
5		1036344	Guard, Side, Large w/o Quad Hole - Right (7-3/4" H x 12-3/8" D)	1	1
5		1036345	Guard, Side, Large w/o Quad Hole - Left (7-3/4" H x 12-3/8" D)	1	1
5		1036405	Guard, Side, Large w/ Quad Hole - Right (7-3/4" H x 12-3/8" D)	1	1
5		1036406	Guard, Side, Large w/ Quad Hole - Left (7-3/4" H x 12-3/8" D)	1	1

NOTE: A - Includes Items 1-4.  
B - Not Shown

# Axles & Axle Mounting Plate

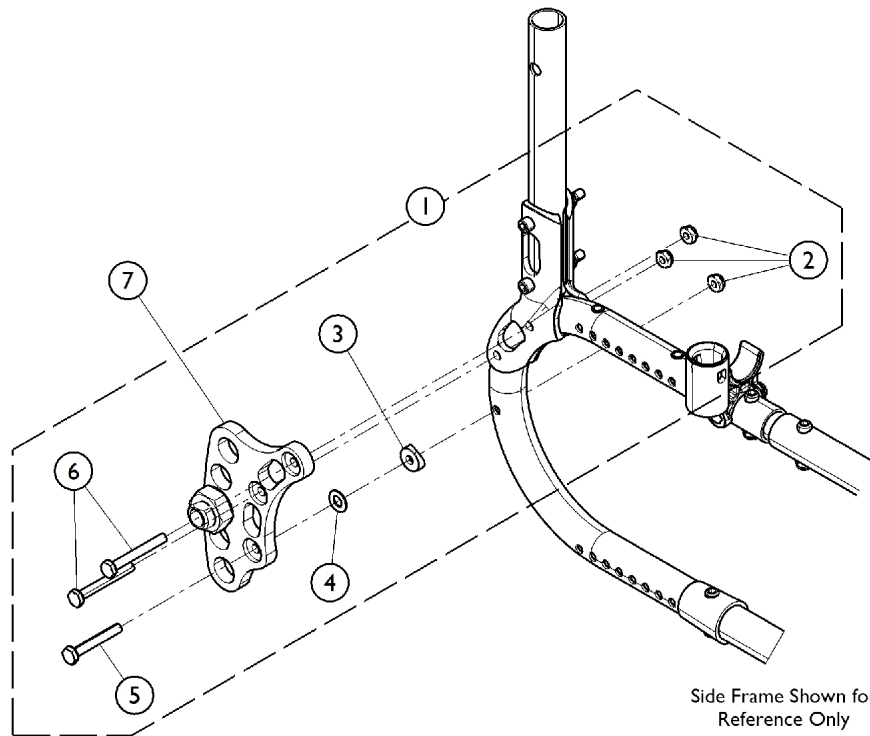


## Axles & Axle Mounting Plate

Item Number	Note	Part Number	Description	Quantity Per	
				Package	Assembly
1		1047714	Axle, Permanent Hardware Assembly (1/2" x 5-1/4")	1	1
2	A	1040361	Axle, Quick Release w/ Locknut (1/2" x 5")	1	1
3	B	1113049	Axle, Quick Release w/ Dome Button, Black	1	1
3	C	1065303	Axle, Quick Release w/ Flat Button, Black	1	1
4		1069340	Axle, Quad Release w/ Clip	1	1
5	D	1130545	Kit, Axle Plate and Bushing Hardware, Silver Anodized	1	1
6			Nut, Jam (3/4"-16)	1	4
7			Washer, Stainless Steel (3/4 x 1-1/8 x 1/32")	1	4
8			Plate, Axle - Right	1	1
8			Plate, Axle - Left	1	1
9			Bushing, Threaded Axle	1	2
5	D	1154370	Kit, Axle Plate and Bushing Hardware, Black Anodized	1	1
6			Nut, Jam (3/4"-16)	1	4
7			Washer, Stainless Steel (3/4 x 1-1/8 x 1/32")	1	4
8			Bracket, Axle, Rear, Black Anodized - Right	1	1
8			Bracket, Axle, Rear, Black Anodized - Left	1	1
9			Bushing, Threaded Axle	1	2
NOTE: A - Used with Composite Rear Wheels B - Used with all Spoke Rear Wheels except 24SPIN, 25SPIN, and 26SPIN C - Used with 24SPIN, 25SPIN, and 26SPIN Spoke Rear Wheels D - Includes items 6-9					

# Amputee Attachment

When an Amputee Attachment is ordered for a chair built Before 2/10/06, 2 new Rear Frames (8881127987) must be ordered as well due to the additional hole that is required in the frame.

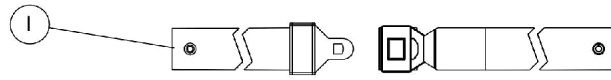


Item Number	Note	Part Number	Description	Quantity Per	
				Package	Assembly
1	A	1134117	Kit, Amputee Attachment Hardware	1	1
2			Locknut (1/4-28)	1	6
3			Spacer, Coved (1/4 x 11/16 x 1/2")	1	2
4			Washer, Flat (5/16 x 5/8 x 1/16")	1	2
5			Screw, Hex Head (1/4-28 x 1-3/4")	1	2
6			Screw, Hex Head (1/4-28 x 2")	1	4
7	B	1134114	Axle Plate Assembly, Amputee Attachment, Silver Anodized	1	2
7	B	1154374	Axle Plate Assembly, Amputee Attachment, Black Anodized	1	1
			Bushing, Threaded Axle	1	2
			Washer, Stainless Steel (3/4 x 1-1/8 x 1/32")	1	4
			Nut, Jam (3/4"-16)	1	4
			Bracket, Amputee, Black Anodized - Right	1	1
			Bracket, Amputee, Black Anodized - Left	1	1

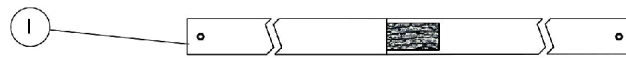
NOTE: A - Includes items 2-6, enough hardware for both Axle Plates.  
B - Includes 2 ea. (Right/Left) Axle Plates, 2 ea. Axle Bushings, 4 ea. Washers, and 4 ea. Locknuts.

# Miscellaneous Accessories

Pelvic Belt is not available as a service part. Transport Ready chairs must be returned to Invacare for service with regard to specific TRRO parts.



**Auto Style Push Button Buckle Positioning Strap**



**Hook and Loop Style Buckle Positioning Strap**

## Miscellaneous Accessories

**Pelvic Belt is not available as a service part. Transport Ready chairs must be returned to Invacare for service with regard to specific TRRO parts.**

Item Number	Note	Part Number	Description	Quantity Per	
				Package	Assembly
1		See Chart	#1 Seat/Chest Positioning Straps	1	1
	A,B	1052425	Kit, Chest Positioning Strap Mounting Hardware	2	1
	A	1008495	Screw, Socket Button Head (1/4-20 x 1-1/2")	1	2
	A	1025736	Locknut (1/4-20)	1	2
		See Chart	Miscellaneous Accessories	--	--

NOTE: A - Not Shown  
B - Includes 2 ea. Screws and 2 ea. Locknuts

### #1 Seat/Chest Positioning Straps

Chair Width	Push Button (Auto) Style Buckle	Hook and Loop Style Fastener
14-19" (45" Long)	1004310	1034744
20" (61" Long)	1034625	1034745

Pelvic Belt is not available as a service part. Transport Ready Chairs requiring any parts related to the Transport Ready Option must be returned to Invacare for service.

### Miscellaneous Accessories

Part Number	Description	Package Quantity	Assembly Quantity
1130574 See Note(s) A	Anti-Tipper	1	2
1109322-NLA	Back Pack, 14" Wide Chairs	1	1
1109323	Back Pack, 15-22" Wide Chairs	1	1
1027644-NLA	Calf Strap, 14-15" Wide Chairs (26" Long)	1	1
1032243	Calf Strap, 16-22" Wide Chairs (36" Long)	1	1
See Caster Swivel Locks	Caster Swivel Locks	1	1
See Fabric Clothing Protector Category	Fabric Clothing Protectors	1	See Fabric Clothing Protector Category
1032215	H-Strap, 14-18" Wide Chairs	1	1
1032216	H-Strap, 19-22" Wide Chairs	1	1
1026987 See Note(s) C	Impact Guard, 8" Long	1	2

## Miscellaneous Accessories

Pelvic Belt is not available as a service part. Transport Ready chairs must be returned to Invacare for service with regard to specific TRRO parts.

### Miscellaneous Accessories

Part Number	Description	Package Quantity	Assembly Quantity
1159758	Protector, Frame, Front, Blue	1	2
1159756	Protector, Frame, Back, Blue	1	1
1159384-NLA	Protector, Frame, Front, Silver	1	2
1159383-NLA	Protector, Frame, Back, Silver	1	1
1159759	Protector, Frame, Front, Red	1	2
1159757	Protector, Frame, Back, Red	1	1
1163422	Protector, Frame, Front, Black	1	2
1163421	Protector, Frame, Back, Black	1	1
See Positioning Strap Chart	Positioning Strap, Seat/Chest	1	See Positioning Strap Chart
1111934	Rear Frame Protector	1	1
See Rigid Side Guard Category	Rigid Side Guards	1	See Rigid Side Guard Category
1109324	Seat Pouch 8-1/2" W x 7" H x 4" D	1	1
1032146-NLA	Spoke Guard 20" Spoke/Composite Wheels	1	2
1032147-NLA	Spoke Guard 22" Spoke/Composite Wheels	1	2
1028442-NLA	Spoke Guard 24" Composite Wheels	1	2
1028441-NLA	Spoke Guard 24" Spoke Wheels	1	2
1028443-NLA	Spoke Guard 25"/26" Spoke Wheels	1	2
1130626 See Note(s) B	Sport Performance Detail Package	1	1
40176X010-NLA	Tire Pump	1	1
NOTE: A - For Anti-Tipper Bracket, see Axle Mounting Plate Hardware category. B - Includes Anodized Back Cane Tube Brackets (Right & Left), Rear Frame Protectors (2 ea.), and Impact Guards (2 ea.). C - For 70 deg. Tapered Footrest.			

Invacare Corporation

[www.invacare.com](http://www.invacare.com)



**Yes, you can.**

One Invacare Way  
Elyria, Oh USA  
44036-2125  
800-333-6900

Technical Support  
800-832-4707  
Customer Service  
800-333-6900

Customer Service  
800-333-6900

© 2022 Invacare Corporation. All rights reserved. Republication, duplication or modification in whole or in part is prohibited without prior written permission from Invacare. Trademarks are identified by <sup>TM</sup> and ©. All trademarks are owned by or licensed to Invacare Corporation or its subsidiaries unless otherwise noted. (Revised 04/20/22)

Form No. 05-010