

ICC - Bed IH820



Yes, you can.

Parts Catalog Usage Guide

The information contained in this document is subject to change without notice. This catalog contains service parts for Form No. 04-043ICCI. If you have any questions regarding this catalog, please contact one of our Customer Service Representatives.

**For Customer Service and Technical Support, Call:
1-800-668-2337**

**For Literature Requests, Call:
1-800-668-2337 or go to our website
www.invacare.com**

SYMBOL DEFINITION

Throughout this catalog you will notice letters to draw your attention to specific footnotes which are located at the bottom of the page or below specified charts.

Examples:

A,B,C etc. = Special Comments
NOTE: = General information pertaining to that specific page
NLA = No Longer Available

HARDWARE MEASUREMENTS

The measurements for the hardware will be listed as follows:

Screws, Bolts Diameter X Thread Count/Pitch X Length
Washers Inside Diameter X Outside Diameter X Thickness
Spacers Inside Diameter X Outside Diameter X Length

For your convenience, we have supplied an area for you to list your Invacare Representatives.

Name	Phone Numbers

© 2022 Invacare Corporation. Invacare, the Medallion Design and Yes, You can. are registered trademarks of the Invacare Corporation.

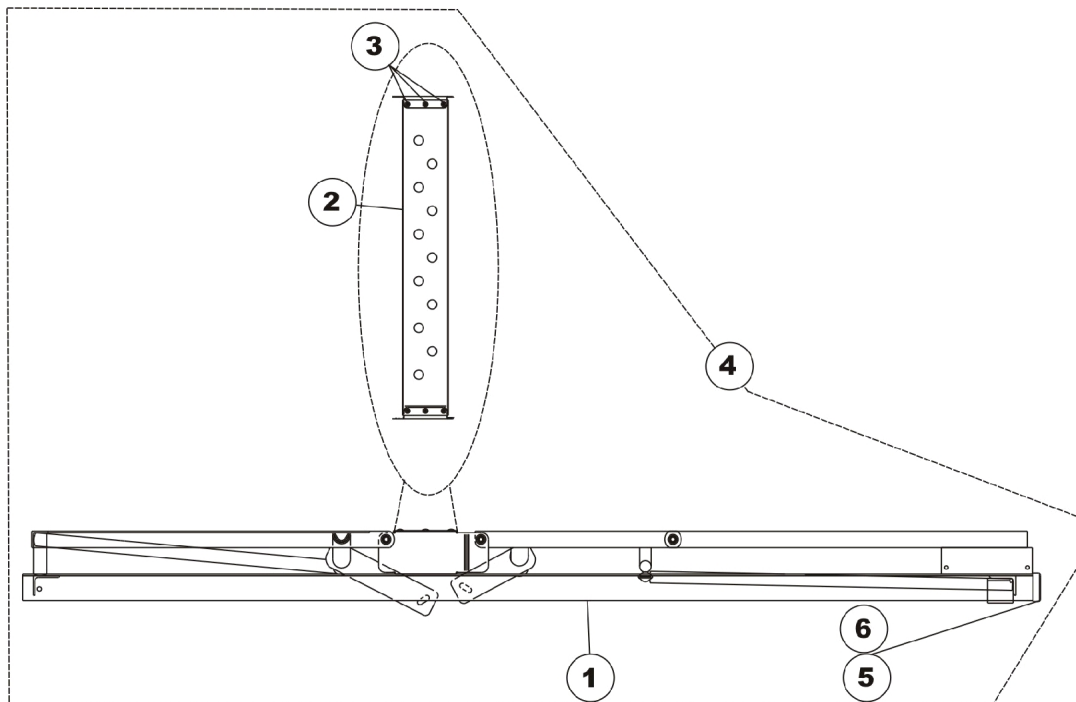
TABLE of CONTENTS

Description	Page Number
Accessories - Miscellaneous	22
Bed Rails - IH5748	9
Bed Rails - IH5748A	11
Bed Rails - IH6801	13
Bed Rails - IH6801A	14
Bed Rails - IH6803	15
Bed Rails - IH6808	16
Bed Rails - IH6808A	17
Bed Rails - IH6815	18
Bed Rails - IH6816	19
Carriage Floor Lock	6
Corner Bumpers	20
Frame - Pan Deck	5
Frame - Wire (Grid) Deck	4
Half Length Assist Rail	21
Manual Pull Tube & Crank Handle	7
Motors & Components - Full Electric	8
Packaging - Cartons, Bags, Inserts, Literature & Decals	3

Packaging - Cartons, Bags, Inserts, Literature & Decals

Part Number	Description
1125016	Sleeve, Carton
1125021	Carton, Cap
1125017	Insert, Carton
1069663-NLA	NLA - Owner's Manual - ICCG Long Term Bed
1125339	Carton (11 x 11 x 14")
1124029-NLA	NLA - Kit, Corner Bracket, Taupe
1124031	Kit, Mattress Keeper Includes: 4 ea. Mattress Keepers, 8 ea. Nuts, 8 ea. Screws, and 1 ea. Poly Bag
1125018-NLA	NLA - Packaging, Carton 820 Bed Includes: 1 ea. Carton Sleeve, 2 ea. Carton Caps, 2 ea. Carton Inserts, 1ea. Owner's Manual, 1 ea. Side Rail Sheet, 1 ea. Carton, 1 ea. U-Bumper Kit, 4 ea. Screws, 1 ea. Corner Bracket Kit, and 1 ea. Mattress Keeper Kit
1130183	Label, Entrapment Warning
1125225	U-Bumper
008682	Screw, Hex Head (1/4-20 x 5/8")
1142032	Paint, Touch-Up Spray Can, Taupe

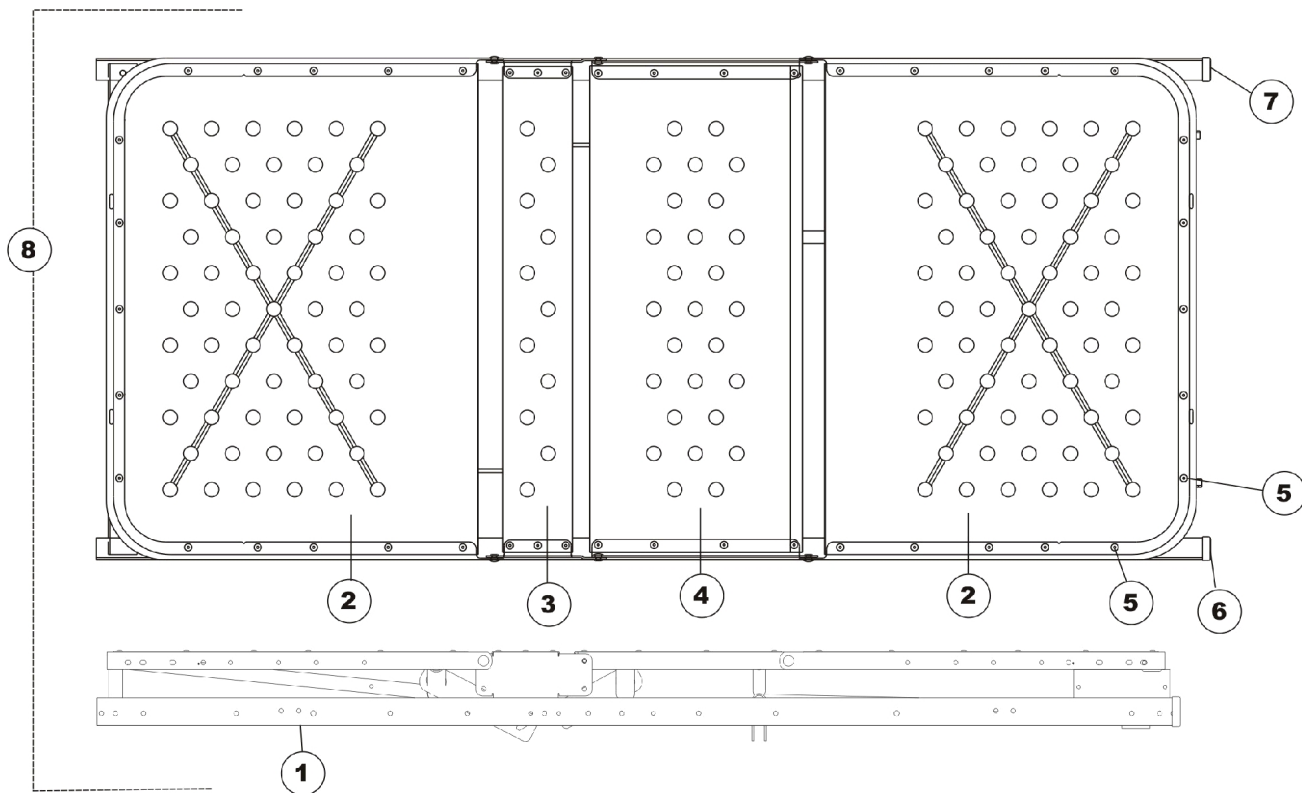
Frame, Wire (Grid) Deck



Item Number	Note	Part Number	Description	Quantity Per	
				Package	Assembly
1		1124075-NLA	NLA - Frame, Bed & Deck, Taupe - Wire	1	1
2		026507	Pan Deck - Seat Section Assembly	1	1
3		026623	Rivet (1/4")	1	6
4		1125002	Cap, Angle - Left (2 x 1-1/2 x 1/8")	1	1
5		1125015	Cap, Angle - Right (2 x 1-1/2 x 1/8")	1	1
6	A	1124072-NLA	NLA - Frame & Wire Deck Assembly, Taupe	1	1
	B	1124029-NLA	NLA - Kit, Corner Bracket, Taupe	1	1
	B	1124031	Kit, Mattress Keeper Includes: 4 ea. Mattress Keepers, 8 ea. Nuts, 8 ea. Screws, and 1 ea. Poly Bag	1	1

NOTE: A - Includes: Items 1-5 and Items Not Shown.
B - Not Shown.

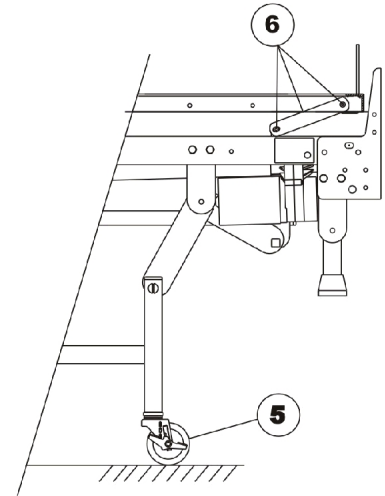
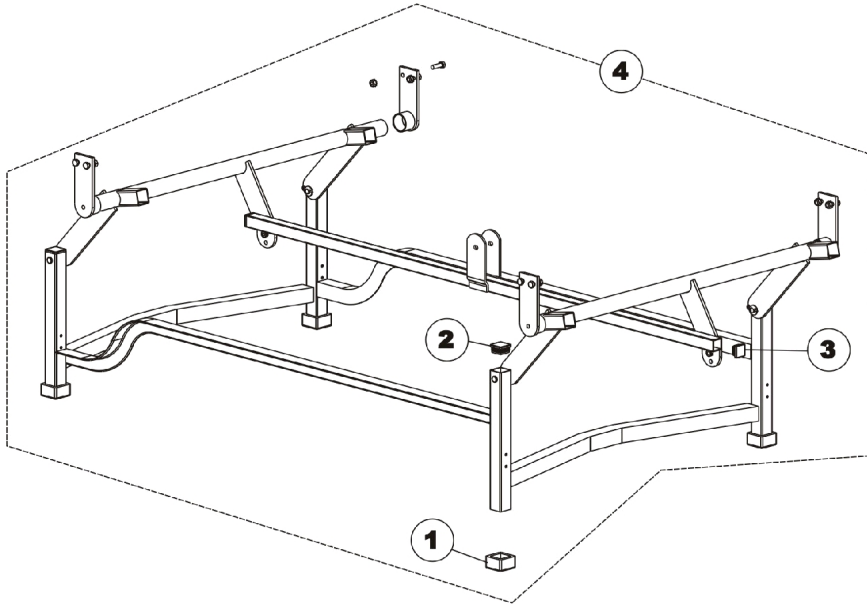
Frame, Pan Deck



Item Number	Note	Part Number	Description	Quantity Per	
				Package	Assembly
1		1124062-NLA	NLA - Frame & Deck Assembly, Taupe	1	1
2		026506	Pan Deck Assembly (76")	1	2
3		026507	Pan Deck - Seat Section Assembly	1	1
4		026508	Pan Deck, Thigh Section	1	1
5		026623	Rivet (1/4")	1	44
6		1125002	Cap, Angle - Left (2 x 1-1/2 x 1/8")	1	1
7		1125015	Cap, Angle - Right (2 x 1-1/2 x 1/8")	1	1
8	A	1124073-NLA	NLA - Frame & Pan Deck Assembly, Taupe	1	1
	B	1124029-NLA	NLA - Kit, Corner Bracket, Taupe	1	1
	B	1124031	Kit, Mattress Keeper Includes: 4 ea. Mattress Keepers, 8 ea. Nuts, 8 ea. Screws, and 1 ea. Poly Bag	1	1

NOTE: A - Includes: Items 1-7.
B - Not Shown.

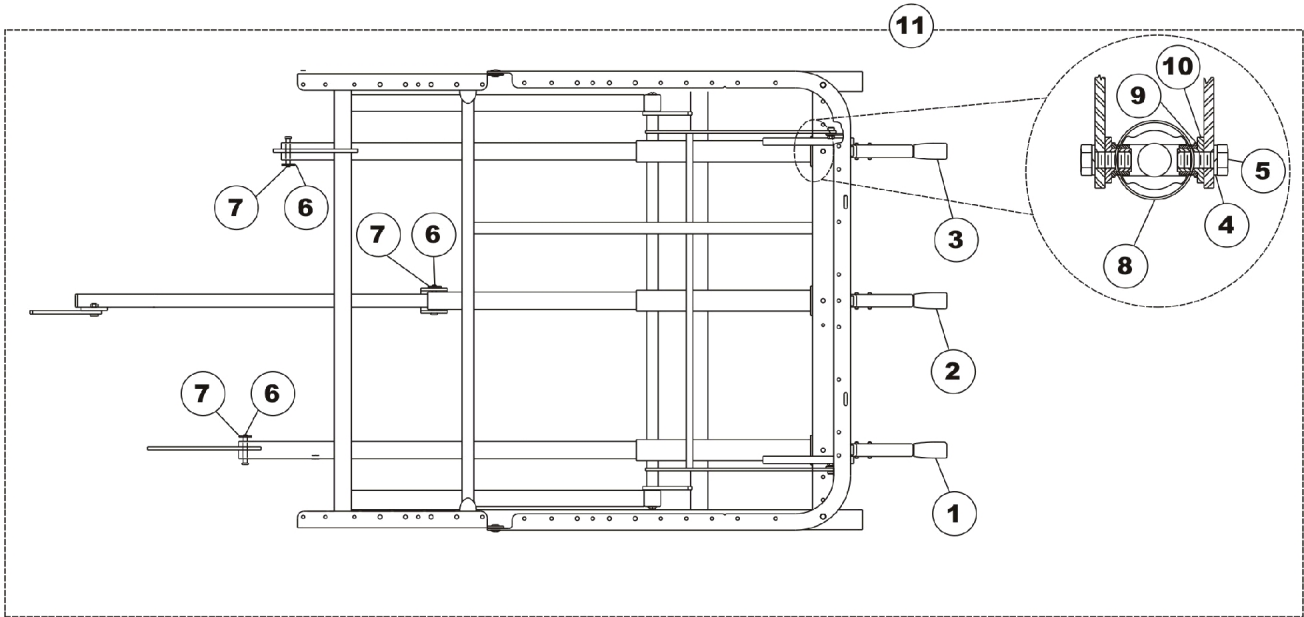
Carriage Floor Lock



Item Number	Note	Part Number	Description	Quantity Per	
				Package	Assembly
1		1131077	Foot, Rubber	1	4
2		1012756	Plug Button, Black (1-1/4")	1	4
3		020717	Glide, Cap	1	2
4	A	1124074	Carriage Floor Lock Assembly	1	1
5		009077	Kit, Caster	1	1
6		026111	Fixed Link Assembly, Knee	1	1

NOTE: A - Includes: Items 1-3 and Frame shown.

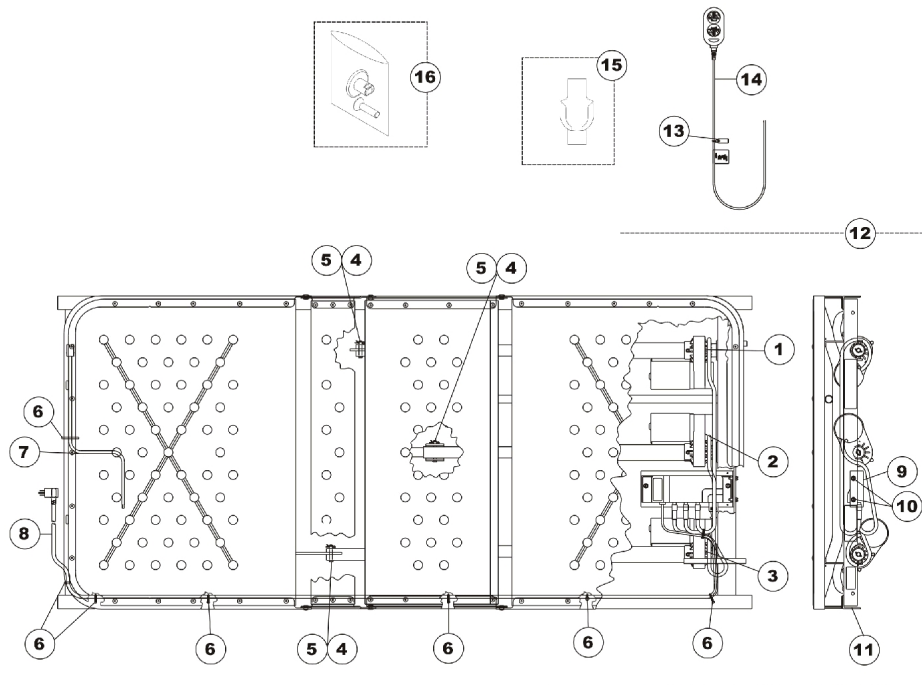
Manual Pull Tube and Crank Handle



Item Number	Note	Part Number	Description	Quantity Per	
				Package	Assembly
1		1124064	Manual, Head Crank and Pull Tube Assembly	1	1
2		1124063	Manual, Hi-Lo Crank and Pull Tube Assembly	1	1
3		1124061	Manual, Foot Crank and Pull Tube Assembly	1	1
4		001008	Washer, Split Lock (5/16")	1	6
5		001741	Screw, Hex Head (5/16-18 x 3/4")	1	6
6		005952	Pin, Clevis (5/16 x 2-1/8")	1	3
7		51000M743	Pin, Hitch (3/8 x 1-3/16")	1	3
8		51000M191	Cover, Pull Tube (Head/Foot)	1	3
9		001405	Bushing, Flanged, Nylon	1	3
10		001443	Bushing, Shoulder - Pivot	1	3
11	A	1124077	Kit, Manual 3 Crank	1	1

NOTE: A - Includes: Items 1-10.

Motors and Components - Full Electric

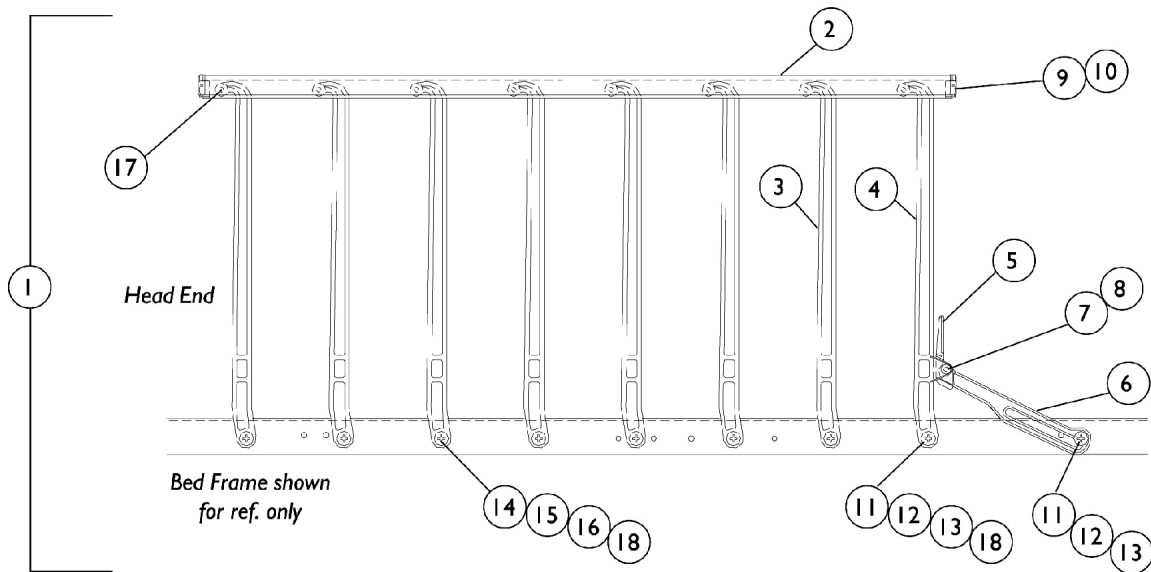


Item Number	Note	Part Number	Description	Quantity Per	
				Package	Assembly
1		1124057-NLA	NLA - Motor/Gear Assembly, Foot	1	1
2		1124060-NLA	NLA - Motor/Gear Assembly, Hi-Lo - Full Travel	1	1
2	C	1132054-NLA	NLA - Motor/Gear Assembly, Hi/Lo - Limited Travel	1	1
3		1124058-NLA	NLA - Motor/Gear Assembly, Head	1	1
4		005952	Pin, Clevis (5/16 x 2-1/8")	1	3
5		51000M743	Pin, Hitch (3/8 x 1-3/16")	1	3
6		000438	Tie Wrap (15-1/2" L)	1	7
7		5880M004	Crank, Emergency, Dark Brown	1	2
8		1126158-NLA	NLA - Power Cord Assembly	1	1
8		026874	Cord, Power	1	1
9		026757-NLA	NLA - Junction Box w/ Bracket Assembly (Dark Brown)	1	1
10		54000M515	Screw, Slotted Hex Head Tap (1/4-20 x 3/4")	1	2
11		1124062-NLA	NLA - Frame & Deck Assembly, Taupe	1	1
12	A	1124076-NLA	NLA - Bed, Electric Assembly	1	1
12	C,A	1132055-NLA	NLA - Bed. Electric Assembly (Limited Travel)	1	1
13	D	026975-NLA	NLA - Clip, Pendant - Plastic "C"	1	1
14	B	026980	Pendant, Full Electric, 6 Channel w/ Clip	1	1
15		1133841	Holster, Pendant	1	1
16		1133843-NLA	NLA - Kit, Pendant Button	1	1

NOTE: A - Includes: Items 1-11.
 B - Includes: Item 13.
 C - For use on Limited Travel Option.
 D - For use on Nylasar Rails. Order both items 13 & 15 for replacement.

Model IH5748 - 8 Bar Nylasar Discontinued

NOTE: The model #IH5748 was discontinued but can be directly replaced by the IH5748A model rails.



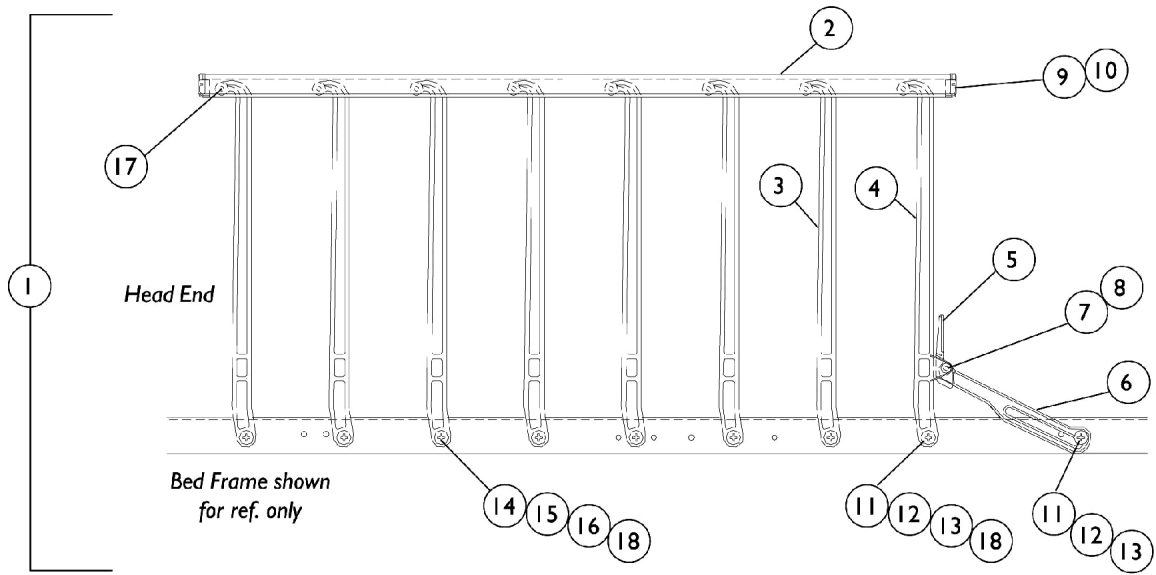
Model IH5748 - 8 Bar Nylasar Discontinued

NOTE: The model #IH5748 was discontinued but can be directly replaced by the IH5748A model rails.

Item Number	Note	Part Number	Description	Quantity Per	
				Package	Assembly
1	A	025331-NLA	NLA - Safety Side Rail Assembly, 8 Bar - Right	1	1
1	A	025332-NLA	NLA - Safety Side Rail Assembly, 8 Bar - Left	1	1
2		025326-NLA	NLA - Rail, Cover and Guard - 8 Bar	1	1
3		000390-NLA	NLA - Arm, Pivot	1	7
4		000389-NLA	NLA - Arm, Latch	1	1
5		000388-NLA	NLA - Latch, Restraining Side Actuator	1	1
6		000494-NLA	NLA - Arm, Restraining Side Latch	1	1
7		000391-NLA	NLA - Pin, Latch	1	1
8		000173-NLA	NLA - Ring, Retaining (1/4")	1	1
9	C	000386-NLA	NLA - Cap, Guard Rail	1	2
10	C	009289-NLA	NLA - Adhesive	1	1
11		000397-NLA	NLA - Screw, Shoulder Hex Socket Head (3/8 x 1-1/2", 5/16-18)	1	9
12		53000M434	Locknut (5/16-18)	1	9
13		000387-NLA	NLA - Spacer (3/8 x 3/4 x 1/64")	1	9
14		000394-NLA	NLA - Bearing, Nylon (3/8")	1	16
15		000395	Washer, Steel (7/16 x 13/16 x 1/16")	1	8
16		000393-NLA	NLA - Washer, Rubber (7/16 x 27/32 x 1/8")	1	8
17		033466	Pin, Spring (1/4 x 13/16")	1	8
18		031195-NLA	NLA - Spacer (5/16 x 3/4 x 5/16")	1	8
	B	026626	Hardware, Tamper Resistant - Includes: (1) Bit, (18) Nuts, and (18) Spacers.	1	1
	B	026715-NLA	NLA - Instruction Sheet, Bed Rail	1	1
	B	1130183	Label, Entrapment Warning	1	1

NOTE: A - Includes: Items 2-18.
 B - Not Shown.
 C - The Adhesive is No Longer Available as a service part. Please use your own adhesive when installing the Guard Rail Cap.

Model IH5748A - 8 Bar Nylasar



Model IH5748A - 8 Bar Nylasar

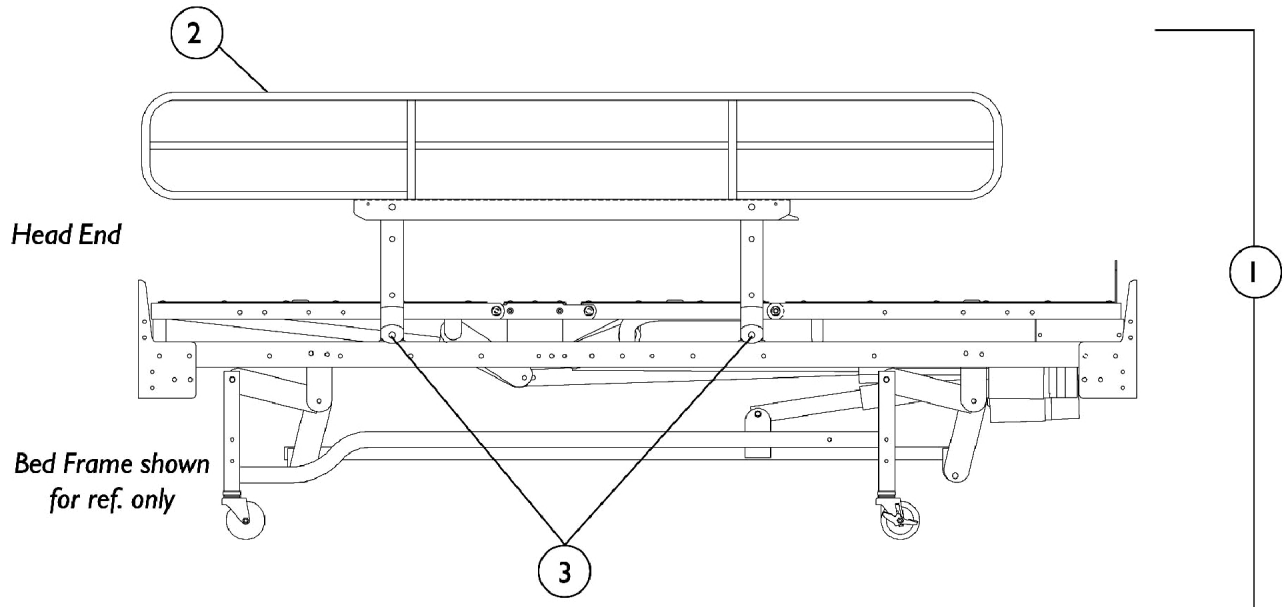
Item Number	Note	Part Number	Description	Quantity Per	
				Package	Assembly
1	A	1132013-NLA	NLA - Safety Side Rail Assembly - Right	1	1
1	A	1132014	Assembly, Safety Side Rail - Left	1	1
2		1142008-NLA	NLA - Rail, Cover and Guard - 8 Rail	1	1
3		000390-NLA	NLA - Arm, Pivot	1	7
4		000389-NLA	NLA - Arm, Latch	1	1
5		000388-NLA	NLA - Latch, Restraining Side Actuator	1	1
6		000494-NLA	NLA - Arm, Restraining Side Latch	1	1
7		000391-NLA	NLA - Pin, Latch	1	1
8		000173-NLA	NLA - Ring, Retaining (1/4")	1	1
9	C	000386-NLA	NLA - Cap, Guard Rail	1	2
10	C	009289-NLA	NLA - Adhesive	1	1
11		000397-NLA	NLA - Screw, Shoulder Hex Socket Head (3/8 x 1-1/2", 5/16-18)	1	9
12		53000M434	Locknut (5/16-18)	1	9
13		000387-NLA	NLA - Spacer (3/8 x 3/4 x 1/64")	1	9
14		000394-NLA	NLA - Bearing, Nylon (3/8")	1	16
15		000395	Washer, Steel (7/16 x 13/16 x 1/16")	1	8
16		000393-NLA	NLA - Washer, Rubber (7/16 x 27/32 x 1/8")	1	8
17		033466	Pin, Spring (1/4 x 13/16")	1	8
18		031195-NLA	NLA - Spacer (5/16 x 3/4 x 5/16")	1	8
	B	026626	Hardware, Tamper Resistant - Includes: (1) Bit, (18) Nuts, and (18) Spacers.	1	1
	B	1143214	Instruction Sheet, Bed Rail and ThinkSoft® Positioning Device	1	1
	B	1130183	Label, Entrapment Warning	1	1

NOTE: A - Includes: Items 2-18.
 B - Not Shown.
 C - The Adhesive is No Longer Available as a service part. Please use your own adhesive when installing the Guard Rail Cap.

Model IH6801 - Full Length Epoxy Discontinued

NOTE: Please make sure you are ordering parts for the correct model # IH6801. Parts for IH6801A are found in a different section of this book.

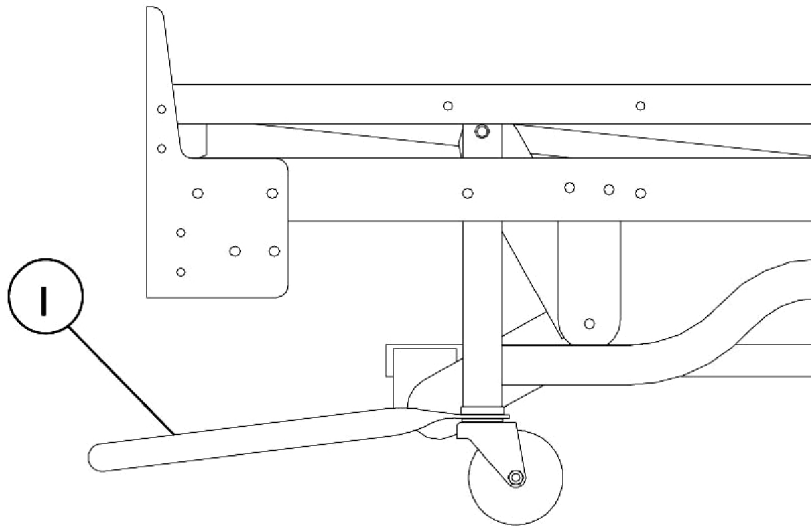
NOTE: The model #IH6801 was discontinued but can be directly replaced by the IH6801A model rails.



Item Number	Note	Part Number	Description	Quantity Per	
				Package	Assembly
1	A	1125235-NLA	NLA - Full Length Side Rail Assembly, Taupe	1	1
2		1125246-NLA	NLA - Side Rail, Full Length - Right (Taupe)	1	1
2		1125245-NLA	NLA - Side Rail, Full Length - Left (Taupe)	1	1
3		033786	Screw, Socket Head (#10-32 x 3/8")	1	4
	B	020159	Plug Button, Dome (1/4")	1	4
	B	020258	Wrench, Allen (5/32")	1	1
	B	026715-NLA	NLA - Instruction Sheet, Bed Rail	1	1
	B	026842	Hardware, Rail Mounting	1	1
			Includes: (1) Crossbar Pivot, (4) Pivot Bracket, (8) Locknut (1/4-20"), and (8) Screw, Hex Head (1/4-20 x 5/8").		
<p>NOTE: A - Includes: Items 2-3, all Attaching Hardware, and Instruction Sheet. B - Not Shown.</p>					

Model IH6801A - Full Length Epoxy

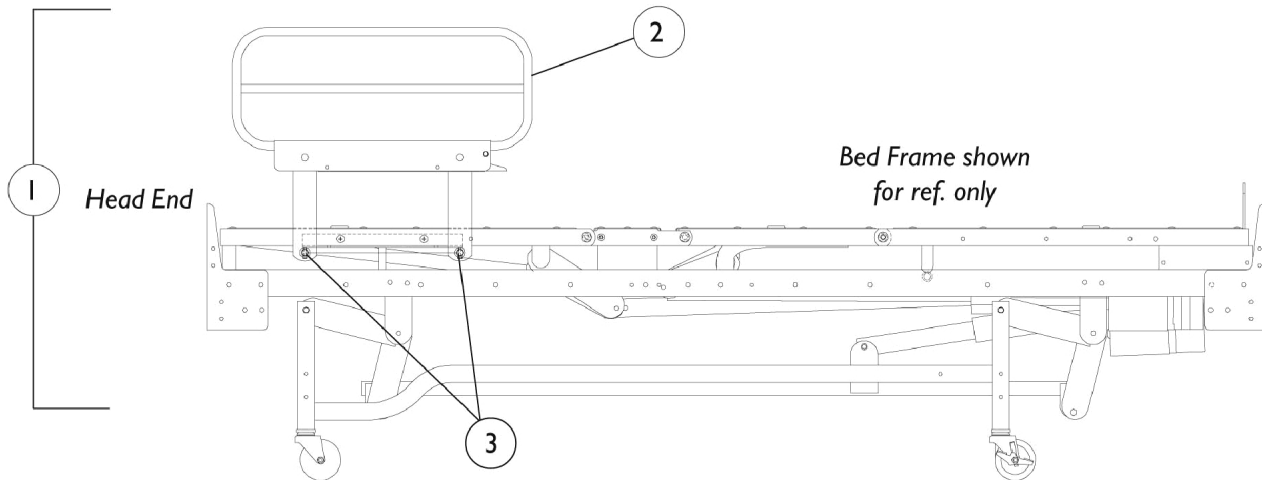
NOTE: Please make sure you are ordering parts for the correct model # IH6801A. Parts for IH6801 are found in a different section of this book.



*Bed Frame shown
for reference only*

Item Number	Note	Part Number	Description	Quantity Per	
				Package	Assembly
1	A	1143713	Full Length Side Rail Assembly	1	1
2		1143693	Side Rail, Full Length - Right	1	1
2		1143694	Side Rail, Full Length - Left	1	1
3		033786	Screw, Socket Head (#10-32 x 3/8")	1	4
4		1029501	Plug Button, Black (1")	1	4
	B	020258	Wrench, Allen (5/32")	1	1
	B	1143214	Instruction Sheet, Bed Rail and ThinkSoft® Positioning Device	1	1
	B	1143699	Hardware, Rail Mounting Includes: (1) Crossbar Pivot (2) Pivot Bracket (8) Locknut (5/16-18) (8) Screw, Hex Head (5/16-18 x 1")	1	1
NOTE: A - Includes: Items 2-4, all Attaching Hardware, and Instruction Sheet. B - Not Shown.					

Model IH6803 - 1/4 Length Epoxy Rail, Head End Discontinued

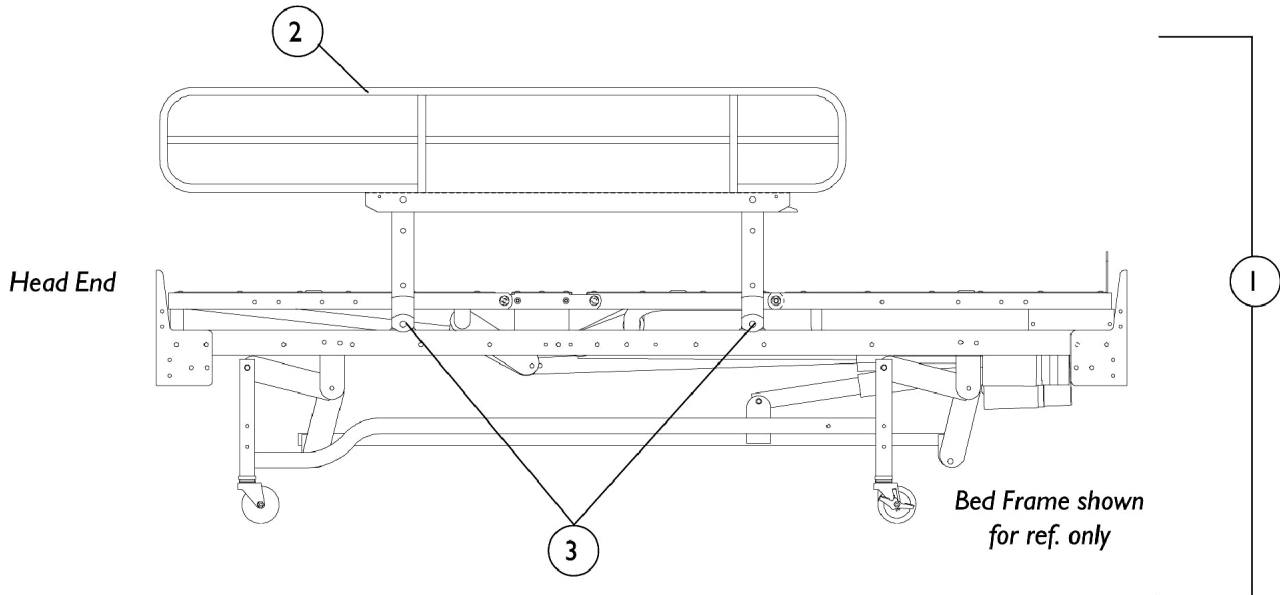


Item Number	Note	Part Number	Description	Quantity Per	
				Package	Assembly
1	A	1125237-NLA	NLA - Side Rail Assembly, 1/4 Length (Taupe)	1	1
2		1125249-NLA	NLA - Side Rail, 1/4 Length - Right (Taupe)	1	1
2		1125250-NLA	NLA - Side Rail, 1/4 Length - Left (Taupe)	1	1
3		033786	Screw, Socket Head (#10-32 x 3/8")	1	4
	B	020258	Wrench, Allen (5/32")	1	1
	B	026715-NLA	NLA - Instruction Sheet, Bed Rail	1	1
	B	026197-NLA	NLA - Hardware, Rail Mounting Includes: 2 ea. Pivot Brackets (Left & Right), 1 ea. Tube (3/4 x 28"), 4 ea. Locknuts (1/4-20), and 4 ea. Screws, Hex Head (1/4-20 x 5/8").	1	1
NOTE: A - Includes: Items 2, Instruction Sheet, and Attaching Hardware. B - Not Shown.					

Model IH6808 - 3/4 Length Epoxy Rail Discontinued

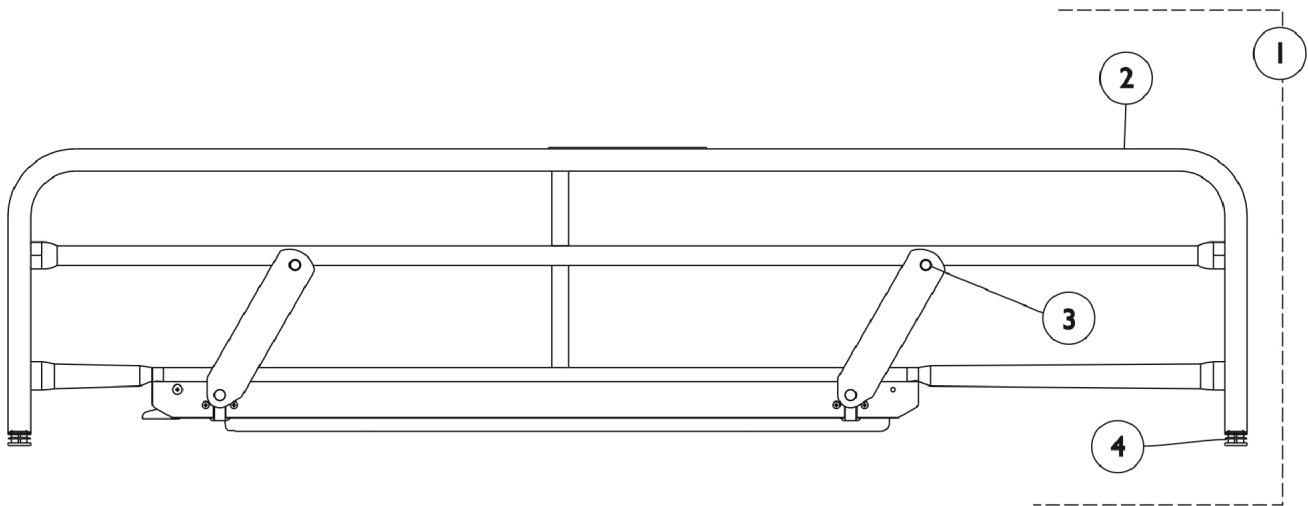
NOTE: Please make sure you are ordering parts for the correct model # IH6808. Parts for IH6808A are found in a different section of this book.

NOTE: The model #IH6808 was discontinued but can be directly replaced by the IH6808A model rails.



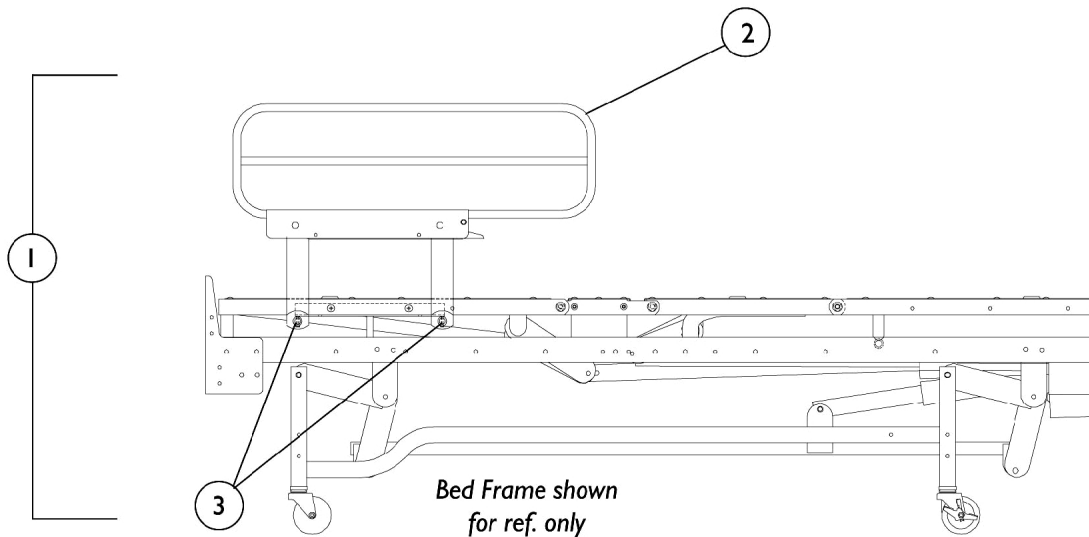
Item Number	Note	Part Number	Description	Quantity Per	
				Package	Assembly
1	A	1125236-NLA	NLA - Side Rail Assembly, 3/4 Length (Taupe)	1	1
2		1125248-NLA	NLA - Side Rail, 3/4 Length - Right (Taupe)	1	1
2		1125247-NLA	NLA - Side Rail, 3/4 Length - Left (Taupe)	1	1
3		033786	Screw, Socket Head (#10-32 x 3/8")	1	4
	B	020258	Wrench, Allen (5/32")	1	1
	B	020159	Plug Button, Dome (1/4")	1	4
	B	026715-NLA	NLA - Instruction Sheet, Bed Rail	1	1
	B	026842	Hardware, Rail Mounting Includes: (1) Crossbar Pivot, (4) Pivot Bracket, (8) Locknut (1/4-20"), and (8) Screw, Hex Head (1/4-20 x 5/8").	1	1
<p>NOTE: A - Includes: Items 2, Instruction Sheet, and Attaching Hardware. B - Not Shown.</p>					

Model IH6808A - 3/4 Length Epoxy Rail



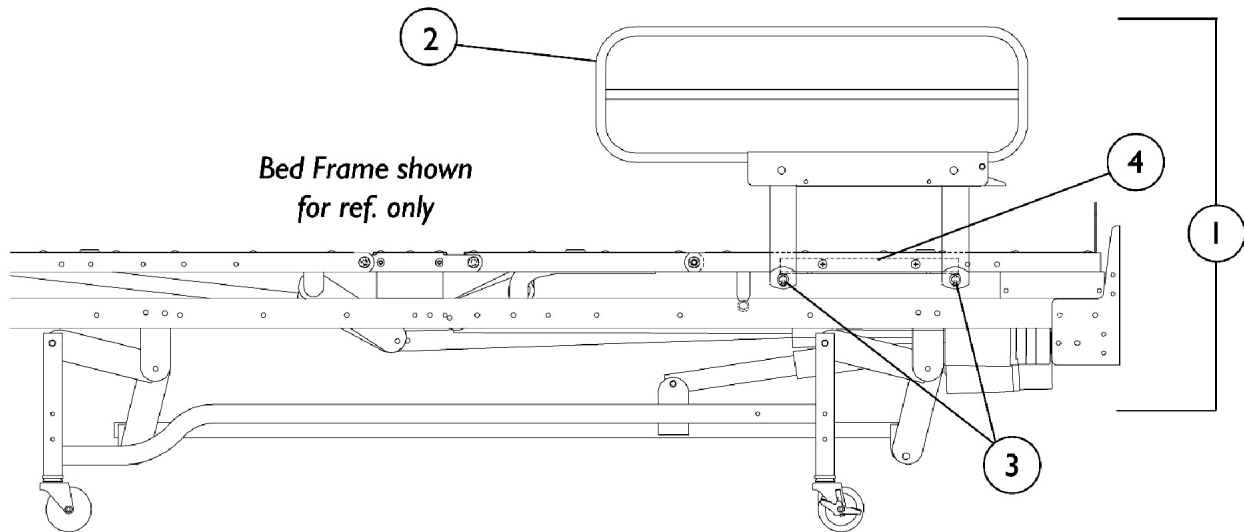
Item Number	Note	Part Number	Description	Quantity Per	
				Package	Assembly
1	A	1143712	Side Rail Assembly, 3/4 Length	1	1
2		1143387	Side Rail, 3/4 Length - Right	1	1
2		1143388	Side Rail, 3/4 Length - Left	1	1
3		033786	Screw, Socket Head (#10-32 x 3/8")	1	4
4		1029501	Plug Button, Black (1")	1	4
	B	020258	Wrench, Allen (5/32")	1	1
	B	1143214	Instruction Sheet, Bed Rail and ThinkSoft® Positioning Device	1	1
	B	1143699	Hardware, Rail Mounting Includes: (1) Crossbar Pivot (2) Pivot Bracket (8) Locknut (5/16-18) (8) Screw, Hex Head (5/16-18 x 1")	1	1
NOTE: A - Includes: Items 2, Instruction Sheet, and Attaching Hardware. B - Not Shown.					

Model IH6815 - 1/2 Length, Head End Discontinued



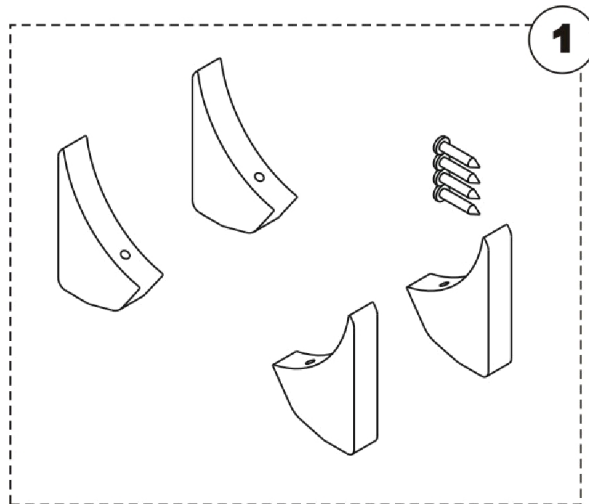
Item Number	Note	Part Number	Description	Quantity Per	
				Package	Assembly
1	A	1125238-NLA	NLA - Side Rail Assembly, 1/2 Length (Taupe)	1	1
2		1125252-NLA	NLA - Side Rail, 1/2 Length - Left (Taupe)	1	1
2		1125251-NLA	NLA - Side Rail, 1/2 Length - Right (Taupe)	1	1
3		033786	Screw, Socket Head (#10-32 x 3/8")	1	4
	B	020258	Wrench, Allen (5/32")	1	1
	B	026715-NLA	NLA - Instruction Sheet, Bed Rail	1	1
	B	026197-NLA	NLA - Hardware, Rail Mounting Includes: 2 ea. Pivot Brackets (Left & Right), 1 ea. Tube (3/4 x 28"), 4 ea. Locknuts (1/4-20), and 4 ea. Screws, Hex Head (1/4-20 x 5/8").	1	1
NOTE: A - Includes: Items 2, Instruction Sheet, and Attaching Hardware. B - Not shown.					

Model IH6816 - 1/2 Length, Foot End Discontinued



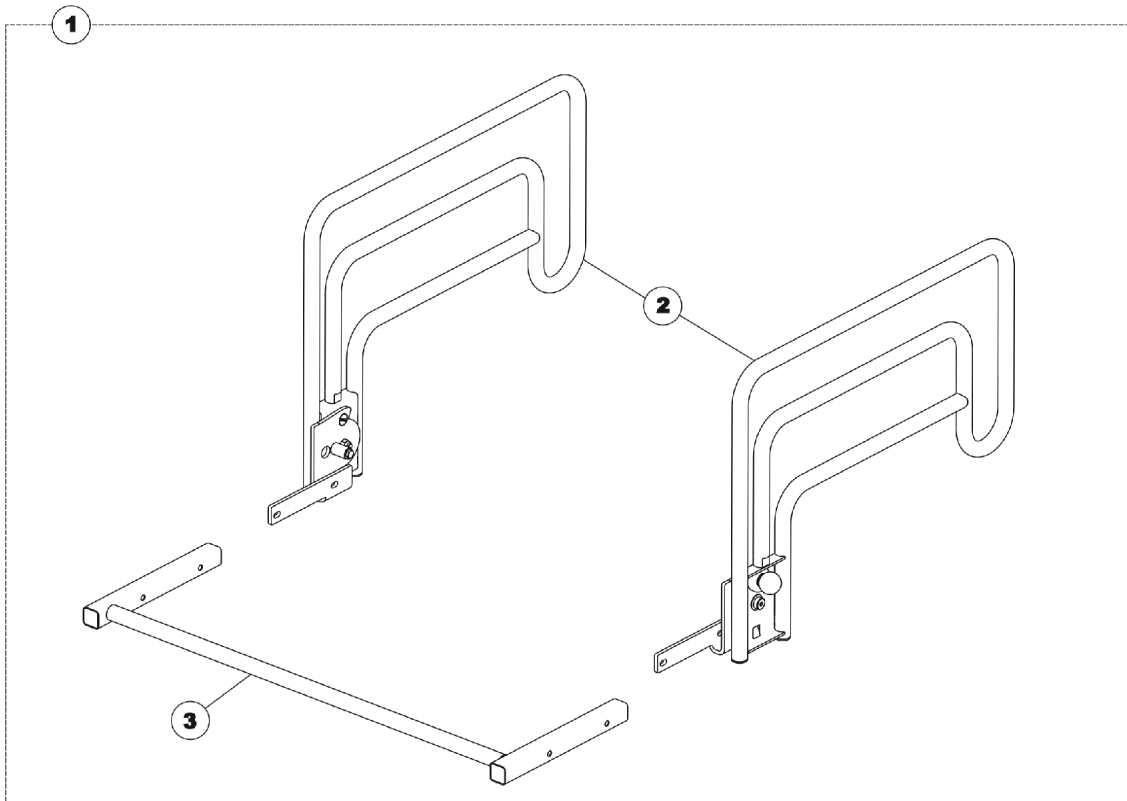
Item Number	Note	Part Number	Description	Quantity Per	
				Package	Assembly
1	A	1125239-NLA	NLA - Side Rail Assembly - Foot End, 1/2 Length (Taupe)	1	1
2		1125253-NLA	NLA - Side Rail, 1/2 Length - Right (Taupe)	1	1
2		1125254-NLA	NLA - Side Rail, 1/2 Length - Left (Taupe)	1	1
3		033786	Screw, Socket Head (#10-32 x 3/8")	1	4
4		027035	Tube, Side Rail	1	1
	B	020258	Wrench, Allen (5/32")	1	1
	B	026715-NLA	NLA - Instruction Sheet, Bed Rail	1	1
	B	026195	Hardware, Rail Mounting Includes: 2 ea. Pivot Bracket, 4 ea. Locknut (1/4-20), and 4 ea. Screw, Hex Head Cap (1/4-20 x 5/8").	1	1
NOTE: A - Includes: Items 2, Instruction sheet, and Attaching Hardware. B - Not Shown.					

Corner Bumpers



Item Number	Note	Part Number	Description	Quantity Per	
				Package	Assembly
1		1139604-NLA	NLA - Kit, Corner Bumper with Instruction Sheet	1	1

Half Length Assist Rail



Item Number	Note	Part Number	Description	Quantity Per	
				Package	Assembly
1	A	1131910	Half Length Assist Rails Assembly	1	1
2		1132018	Rail, Assist with Hardware	1	1
3		1131988	Crossbrace with Hardware	1	1

NOTE: A - Includes: Items 2-3.

Miscellaneous Accessories

Bumper & I.V. Holder

Part Number	Description	Package Quantity	Assembly Quantity
003790	Holder, I.V. Rod and Bumper	1	2
000834	Screw, Pan Head (#10 x 3/4")	1	4

I.V. Bracket

Part Number	Description	Package Quantity	Assembly Quantity
026394-NLA	NLA - Bracket, I.V. Bolt On - Left	1	1
026395-NLA	NLA - Bracket, I.V. Bolt On - Right	1	1
001743-NLA	NLA - Screw, Slotted Pan Head (1/4-20 x 3/4")	1	8
003005-NLA	NLA - Nut, Hex (1/4-20)	1	8
004033-NLA	NLA - Washer, Split Lock (1/4")	1	8
1070795-NLA	NLA - Instruction Sheet, I.V. Bracket	1	1

Bed Extender & Mattress

Part Number	Description	Package Quantity	Assembly Quantity
032906	Bed Extender (Dark Brown)	1	1
032981-NLA	NLA - Mattress (13-3/8 x 32 x 2")	1	1
000194	Grommet, Pan Deck	1	8
1070793-NLA	NLA - Instruction Sheet, Bed Extender and Mattress	1	1

Miscellaneous Accessories

Tamper Resistant Bed End Hardware

Part Number	Description	Package Quantity	Assembly Quantity
026630-NLA	NLA - Tamper Resistant Hardware Kit	1	1

Power Cord

Part Number	Description	Package Quantity	Assembly Quantity
026759-NLA	NLA - Power Cord, RT Angle IEC	1	1



Invacare Continuing Care

www.invacare-cc.com

One Invacare Way
Elyria, Oh USA
44035
800-333-6900

Technical Support
800-668-2337
Customer Service
800-668-2337

Service Availability
Monday-Friday
Hours of Availability
8 AM-5:30 PM EST

© 2022 Invacare Corporation. Invacare, the Medallion Design and Yes, You can. are registered trademarks of the Invacare Corporation.
(Revised 06/17/22)

Form No. 04-043ICCI