

**Oxygen Concentrator**

**International Platinum™ 5**  
**(IRC5LXAW and IRC5LXO2AW)**



*Yes, you can.*

# Parts Catalog Usage Guide

The information contained in this document is subject to change without notice. This catalog contains service parts for Form No. 03-036. If you have any questions regarding this catalog, please contact one of our Customer Service Representatives.

**For Customer Service Support Call:**

**1-800-333-6900**

**For Faxed In Orders Call:**

**1-800-678-4682 or**

**1-440-366-0709**

**For Technical Service Call:**

**1-800-832-4707**

**Literature Can Be Found at:**

**www.invacare.com or**

**1-800-828-6272**

## SYMBOL DEFINITION

Throughout this catalog you will notice letters to draw your attention to specific footnotes which are located at the bottom of the page or below specified charts.

Examples:

A,B,C etc. = Special Comments

NOTE: = General information pertaining to that specific page

NLA = No Longer Available

## HARDWARE MEASUREMENTS

The measurements for the hardware will be listed as follows:

Screws, Bolts Diameter X Thread Count/Pitch X Length

Washers Inside Diameter X Outside Diameter X Thickness

Spacers Inside Diameter X Outside Diameter X Length

For your convenience, we have supplied an area for you to list your Invacare Representatives.

Name	Phone Numbers

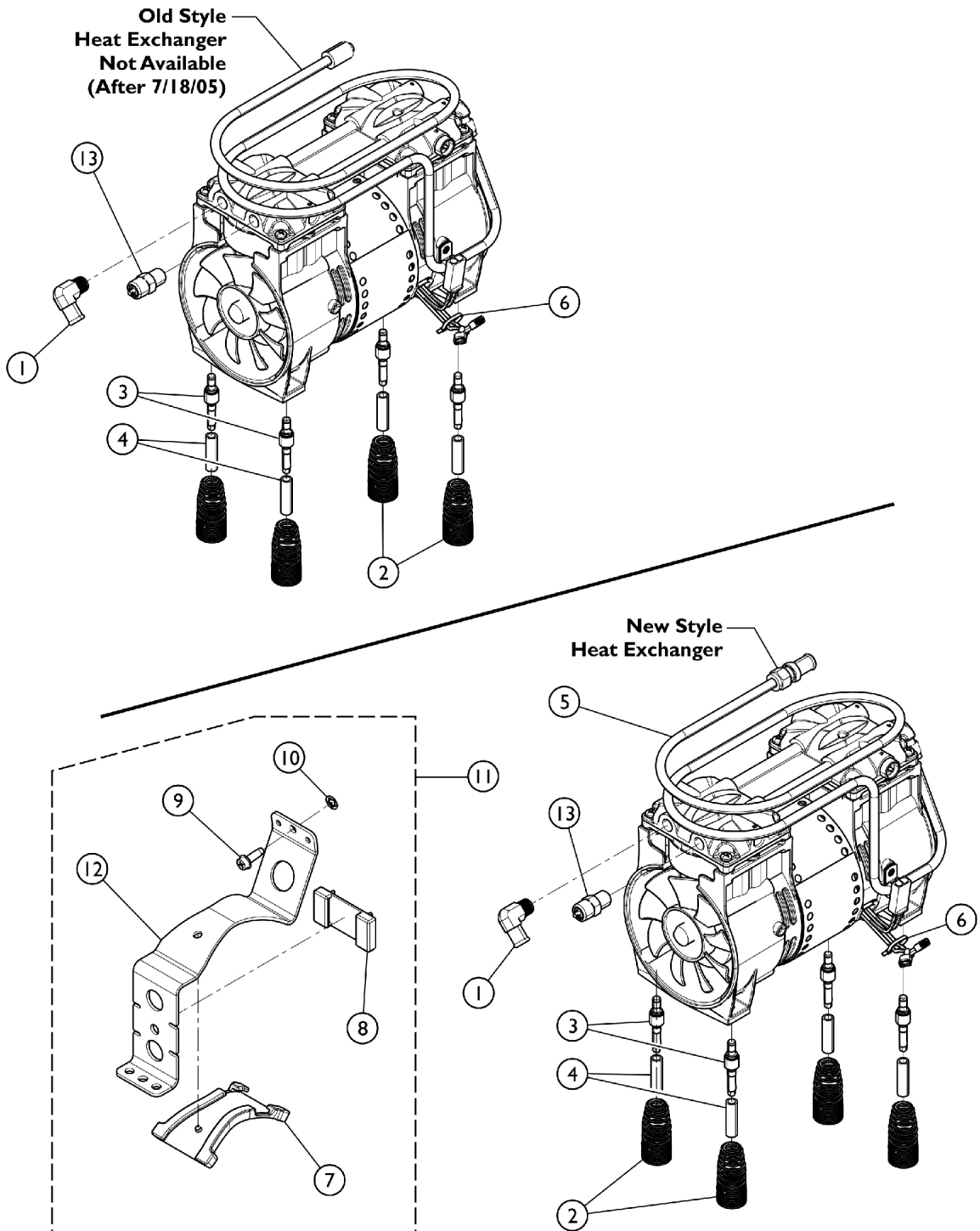
© 2021 Invacare Corporation, Elyria, Ohio. Invacare, the Medallion Design and Yes, you can. are registered trademarks of the Invacare Corporation. Platinum is a trademark of Invacare Corporation. Information is subject to change without notification.

# TABLE of CONTENTS

Description	Page Number
Compressor .....	3
Control Panel - Front View .....	5
Control Panel - Rear View .....	7
Shroud - Bottom .....	11
Shroud - Top .....	9
Sieve Beds & Product Tank .....	13
Sound Box & Manifold .....	15
Warranty Replacement Parts .....	18

# Compressor

## IRC5LXAW and IRC5LXO2AW



SRE\_012A

# Compressor

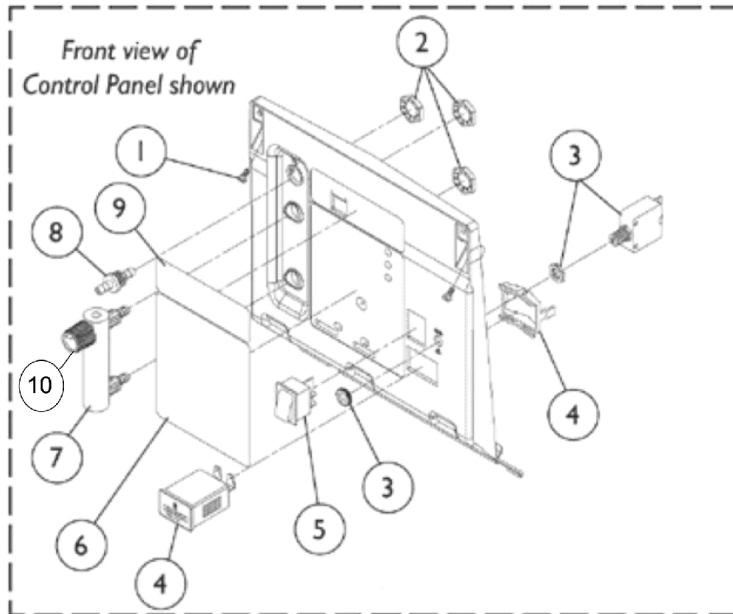
## IRC5LXAW and IRC5LXO2AW

Item Number	Note	Part Number	Description	Quantity Per	
				Package	Assembly
1		1108819	Fitting, Elbow (1/2" Beaded Hose x 1/4" NPT)	1	1
2		1105504-NLA	NLA - Spring, Compressor Mount	1	4
2		1150581	Spring, Compressor Mount	1	4
3		1106446-NLA	NLA - Pin, Spring Retainer	1	4
3		1150580	Pin, Spring Retainer	1	4
4		1107411	Glide, Pin	1	4
5	A	1119590-NLA	NLA - Tech Only - Heat Exchanger Assembly	1	1
6		1070050	Tie Wrap (3-29/32" L)	1	1
11	B	1186230	Kit, Compressor Restraint Bracket w/ Hardware	1	1
7			Bumper, Restraint Bracket, Compressor	1	1
8			NLA - Bumper, Bracket	1	1
9			NLA - Screw, Phillips Hex Washer Head w/ Patch (1/4-20 x 3/4")	1	1
10			Retainer, Push (1/4")	1	1
12			Bracket, Restraint, Compressor	1	1
13		1085697-NLA	NLA - Relief Valve w/ Patch Lock, 35 PSIG	1	1
		1121273-NLA	NLA - Fitting, Elbow (5/16 Tube x 1/4" NPT)	1	1
	C,D	1110825-NLA	NLA - Tech Only - Compressor with Mounting Hardware	1	1
	E,F	1154510	Kit, Compressor Rebuild w/ Trigon Seals & Instruction Sheet - IRC5LX/IRC5LXO2 (Thomas)	1	1
			Compressor Rebuild Kit w/ Trigon Seals - IRC5LX/IRC5LXO2 (Thomas)	1	1
			Instruction Sheet, Thomas Rebuild 2660-2650	1	1
	G	1157138	Kit, Compressor Complete Assembly - Thomas	1	1
			Compressor with Mounting Hardware - Thomas	1	1
			NLA - Tech Only - Capacitor, 15 MFD	1	1
			Tie Wrap (8" L)	2	1
		1186230	Kit, Compressor Restraint Bracket w/ Hardware	1	1
			Bracket, Restraint, Compressor	1	1
			NLA - Bumper, Bracket	1	1
			Bumper, Restraint Bracket, Compressor	1	1
			NLA - Screw, Phillips Hex Washer Head w/ Patch (1/4-20 x 3/4")	1	1
			Retainer, Push (1/4")	1	1

NOTE: A - When replacing the Heat Exchanger you must also replace the PVC elbow, see Category "Sound Box Assembly", item 12 due to style change.  
 B - Kit includes items 7, 8, 9, 10, and item 12.  
 C - Kit includes Compressor and items 1 - 5.  
 D - To be used with IRC5LXAW and IRC5LXO2AW.  
 E - When replacing or servicing a Compressor, the Capacitor (1068698) and two Tie Wraps (2001682) must also be replaced  
 F - Not Shown, Kit includes Retainer Plates and Trigon Seals to enable rebuilding of both Trigon and pre-Trigon configurations.  
 G - Not Shown, Kit includes Compressor, Capacitor, Tie Wraps, and 1186230.

# Control Panel - Front View

## IRC5LXAW and IRC5LXO2AW



NOTE: There are 2 styles of #10 - flowmeter knobs. These knobs are NOT interchangeable. Refer to the photos below.

1128379



Used with flowmeters that have an indented Phillips head screw on top.

1128380



Used with flowmeters that have a slotted head screw on top.

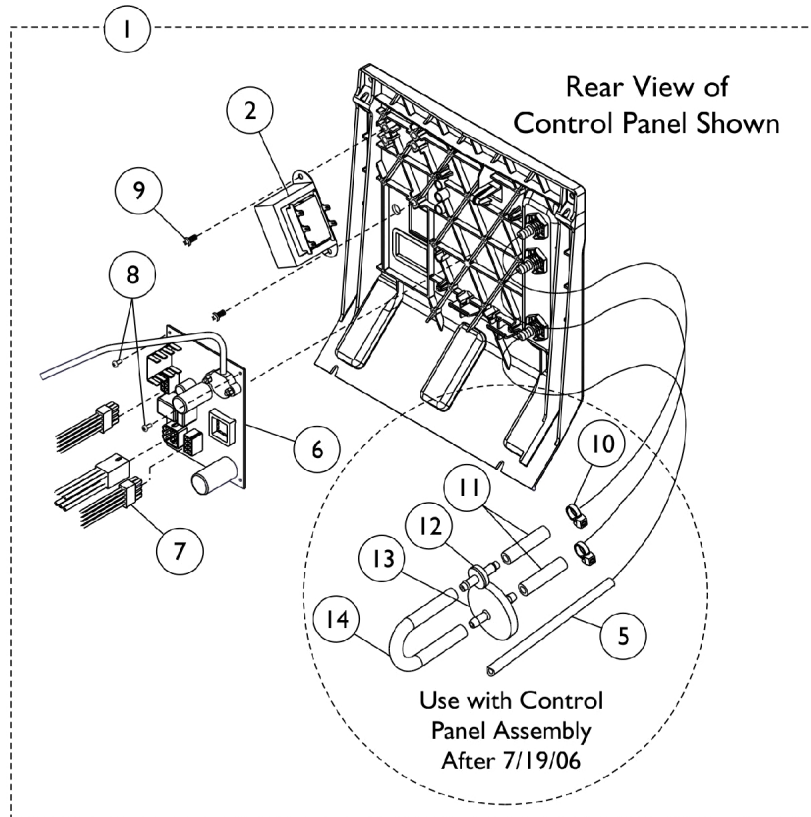
## Control Panel - Front View IRC5LXAW and IRC5LXO2AW

Item Number	Note	Part Number	Description	Quantity Per	
				Package	Assembly
1		2003065-NLA	NLA - Screw, Phillips Hex Washer Head (#8-32 x 3/8")	1	2
1		1128404	Screw, Phillips Hex Washer Head (#8-32 x 3/8")	1	2
2		2000507	Palnut (9/16-18)	1	3
3		1110824-NLA	NLA - Tech Only - Circuit Breaker (4 AMP)	1	1
4		1098707	Hour Meter Assembly with Clip	1	1
5		2001134	Switch, On/Off	1	1
5	G	1139950	Switch, Powe On/Off	1	1
6	A	1121467-NLA	NLA - Label, Control Panel, English - IRC5LXAW	1	1
6	A	1121475-NLA	NLA - Label, Control Panel, English - IRC5LXO2AW	1	1
7	F	1110823-NLA	NLA - Meter, Flow (0-5 LPM)	1	1
7	E	1110561	Flowmeter without Palnuts - 5 Liter	1	1
8		2000473	Connector, Barbed (1/4")	1	1
9	H	See Note	See Footnote	1	1
10		2001086-NLA	NLA - Knob, Flowmeter	1	1
10	C	1128379-NLA	NLA - Package, Knob, Flowmeter, Silver w/ Black Swish (Pkg. of 10)	10	1
10	D	1128380	Package, Knob, Flowmeter, Black w/ Silver Swish	10	1
	B	1101591	Support, Control Panel	1	2
	B,G	2001141-NLA	NLA - Seal, Switch	1	1
	B	1112562-NLA	NLA - Tech Only - Seal, Circuit Breaker	1	1

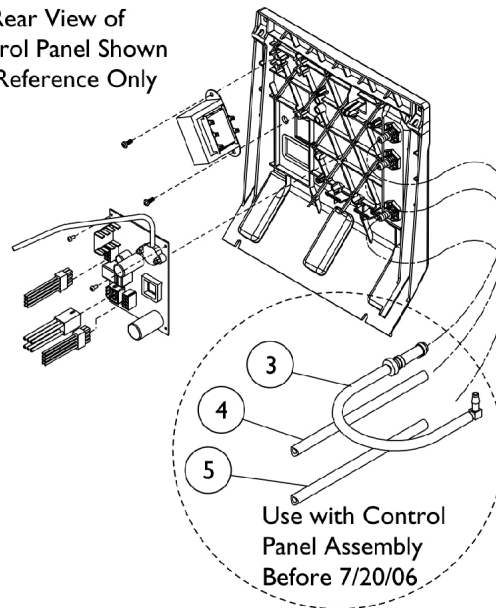
NOTE: A - Dependent on model.  
 B - Not Shown.  
 C - Knob is silver with black "swish". Used on flow meters with Phillips head indented screw on top.  
 D - Knob is black with silver "swish". Used on flow meters with a slotted head screw on top.  
 E - Palnuts not included. Refer to Item #2.  
 F - Replace with #1110561.  
 G - Individual item no longer available, refer to part #2001134 for replacement.  
 H - No longer available as a service part in the field.

# Control Panel - Rear View

## IRC5LXAW and IRC5LXO2AW



Rear View of Control Panel Shown for Reference Only





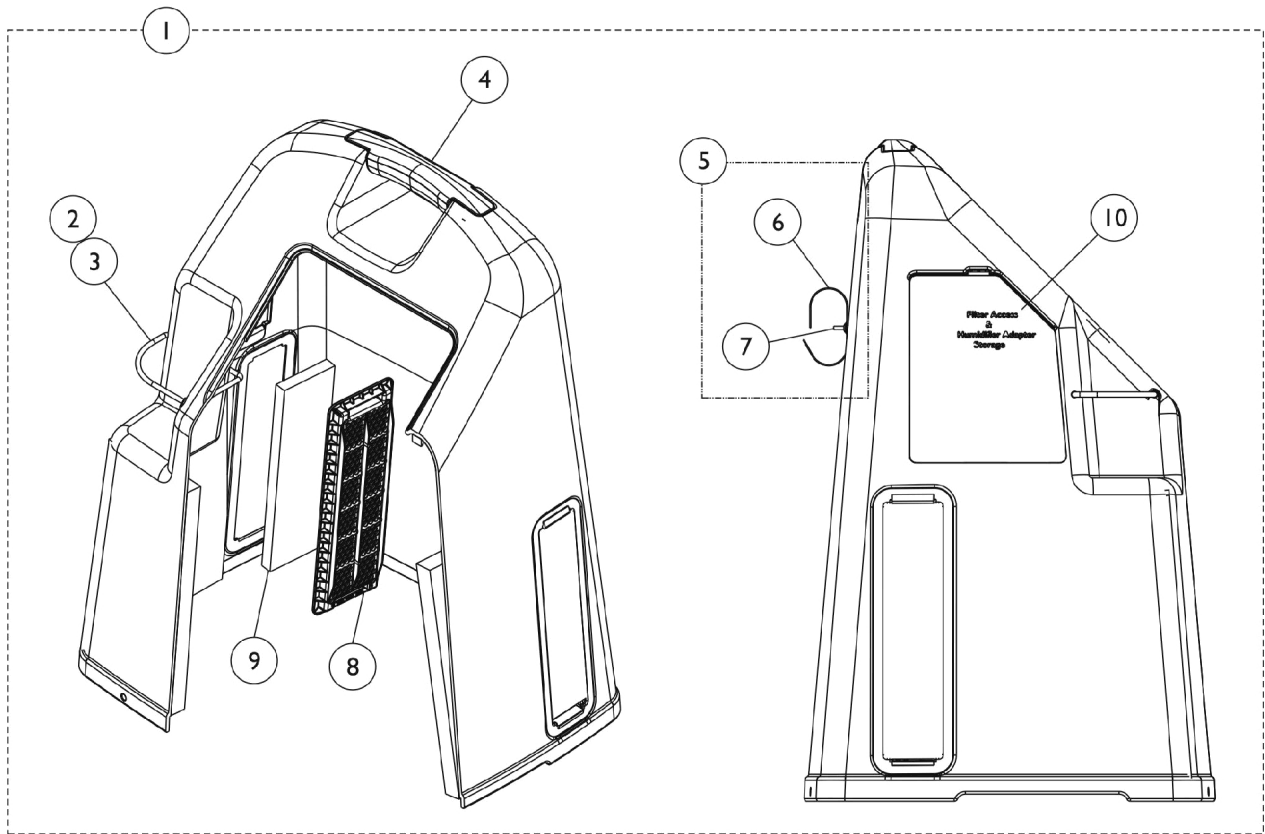
## Control Panel - Rear View IRC5LXAW and IRC5LXO2AW

Item Number	Note	Part Number	Description	Quantity Per	
				Package	Assembly
1	B,C,D	1121282	Control Panel Assembly	1	1
1	B,C,E	1121279-NLA	NLA - Tech Only - Control Panel Assembly	1	1
2	J	1105385-NLA	NLA - Tech Only - Transformer	1	1
	K	1105391-NLA	NLA - Transformer Kit	1	1
3	A,I	1110779-NLA	NLA - Tubing Assembly, Check Valve Discharge	1	1
4	I	1108815-NLA	NLA - Tubing, Silicon (1/4 x 16-1/4")	1	1
5		1108809	Tubing, PVC (1/4 x 12-3/4")	1	1
6	B,D	1108720-NLA	NLA - LXN PCB Assembly	1	1
6	B,D	1108720E-NLA	NLA - WARR RPLMT - LXN PCB Assembly	1	1
6	B,E	1108731-NLA	NLA - ISBN PCB Assembly	1	1
6	B,E	1108731E-NLA	NLA - WARR RPLMT - ISBN PCB Assembly	1	1
6	B,F	1129785-NLA	NLA - ISBN Board Assembly	1	1
7		1121280-NLA	NLA - Tech Only - Harness, Wire, 10 Pin NEC	1	1
8		2001902-NLA	NLA - Screw, Phillips Pan Head (#4-40 x 1/4")	2	1
9		1102696	Screw, Phillips Pan Head SEMS (#8-32 x 3/8")	1	2
10	G,H	2001682	Tie Wrap (8" L)	1	2
11	G,H	1110473	Tubing, PVC (1/4 x 1-3/4")	1	2
12	G,H	2000436	Check Valve, Barb (5/16")	1	1
13	G,H	P0750X030	Filter, Patient HEPA Outlet	1	1
14	G,H	1143144	Tubing, PVC (1/4 x 5")	1	1

NOTE: A - Includes Tubing (2 ea.) Check Valve, Elbow and Tie Wrap.  
B - Dependent on model.  
C - Control Panel Assembly includes items 1-9 on the Front View and items 2, 6-14 on the Rear View.  
D - To be used on model IRC5LXAW. Part #1108720 is NLA. See part #1108720E as a replacement.  
E - To be used on Model IRC5LXO2AW.  
F - To be used on Model IRC5LXO2HA.  
G - "After 7/19/06" the location of the HEPA Filter has changed. The HEPA Filter is now located inside the cabinet.  
H - For use with Control Panel Assembly "After 7/19/06."  
I - For use with Control Panel Assembly "Before 7/20/06."  
J - Individual item no longer available, refer to Transformer Kit Part #1105391 for replacement.  
K - Kit includes Transformer, Nuts and Insulator.

# Shroud - Top

## IRC5LXAW and IRC5LXO2AW



## Shroud - Top

### IRC5LXAW and IRC5LXO2AW

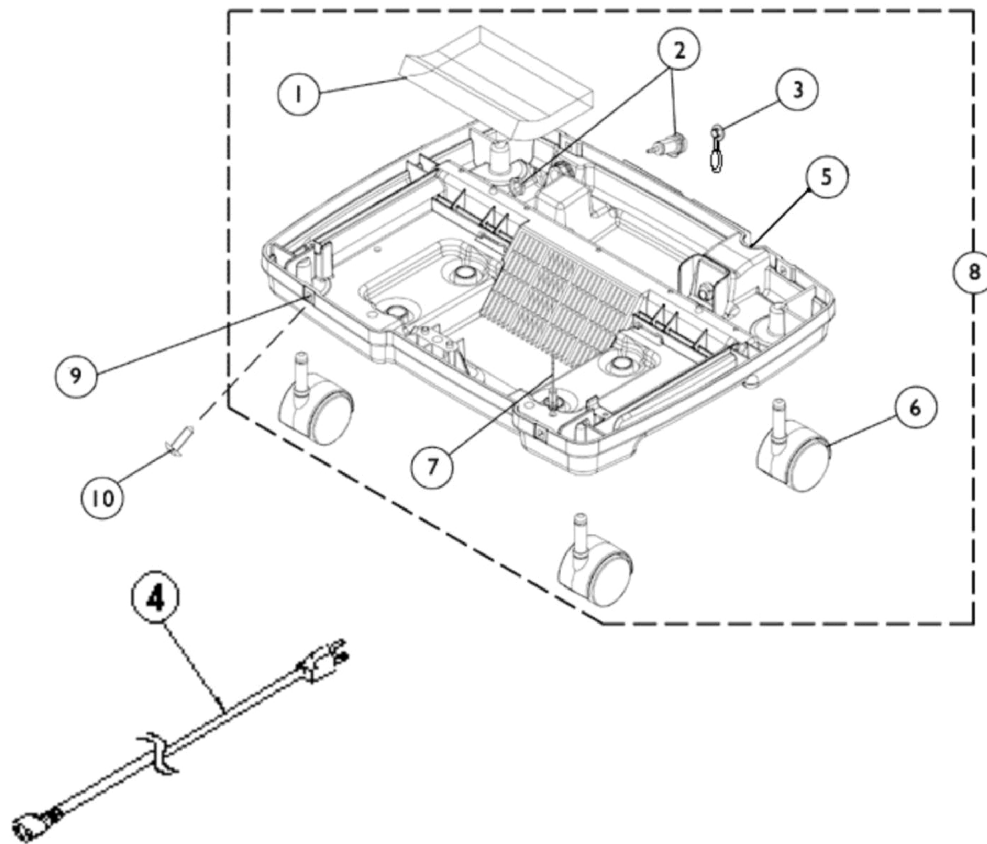
Item Number	Note	Part Number	Description	Quantity Per	
				Package	Assembly
1	A,C	1108803	Cabinet Cover without Tie Wraps	1	1
2		1070050	Tie Wrap (3-29/32" L)	1	1
3		60125500	Cord, Elastic	1	1
4		1115868	Kit, Cabinet Handle	1	1
			Handle, Top, Warm Grey	1	1
			NLA - Screw, Hex Head Tap (1/4-15 x 3/4")	1	2
5	D	1172003	Package, Power Cord Strap w/ Hardware	1	1
6			Strap, Hook and Loop	10	1
7			Rivet, Plastic	10	1
			NLA - Retainer, Push On	10	1
8		1107400	Grid, Filter	1	2
9		1107412	Filter, Cabinet	1	2
10		1110766	Door, Filter Access with Foam Gasket	1	1
	D	1112296-NLA	NLA - Kit, Packaging w/ Carton, Inserts and Owner's Manual	1	1
	B,D	1118389-NLA	NLA - Owner's Manual	1	1

NOTE: A - Includes Cabinet and Items 1-9.  
 B - To be used with the IRC5LXAW and IRC5LXO2AW.  
 C - After 6/28/07, the Hook and Loop Strap are no longer used on the Cabinet Cover Assembly. If Hook and Loop Strap is needed you must order Package, Power Cord Strap w/ Hardware, Part Number 1172003.  
 D - Not Shown.

# Shroud - Bottom

## IRC5LXAW and IRC5LXO2AW

### Shroud - Bottom



## Shroud - Bottom

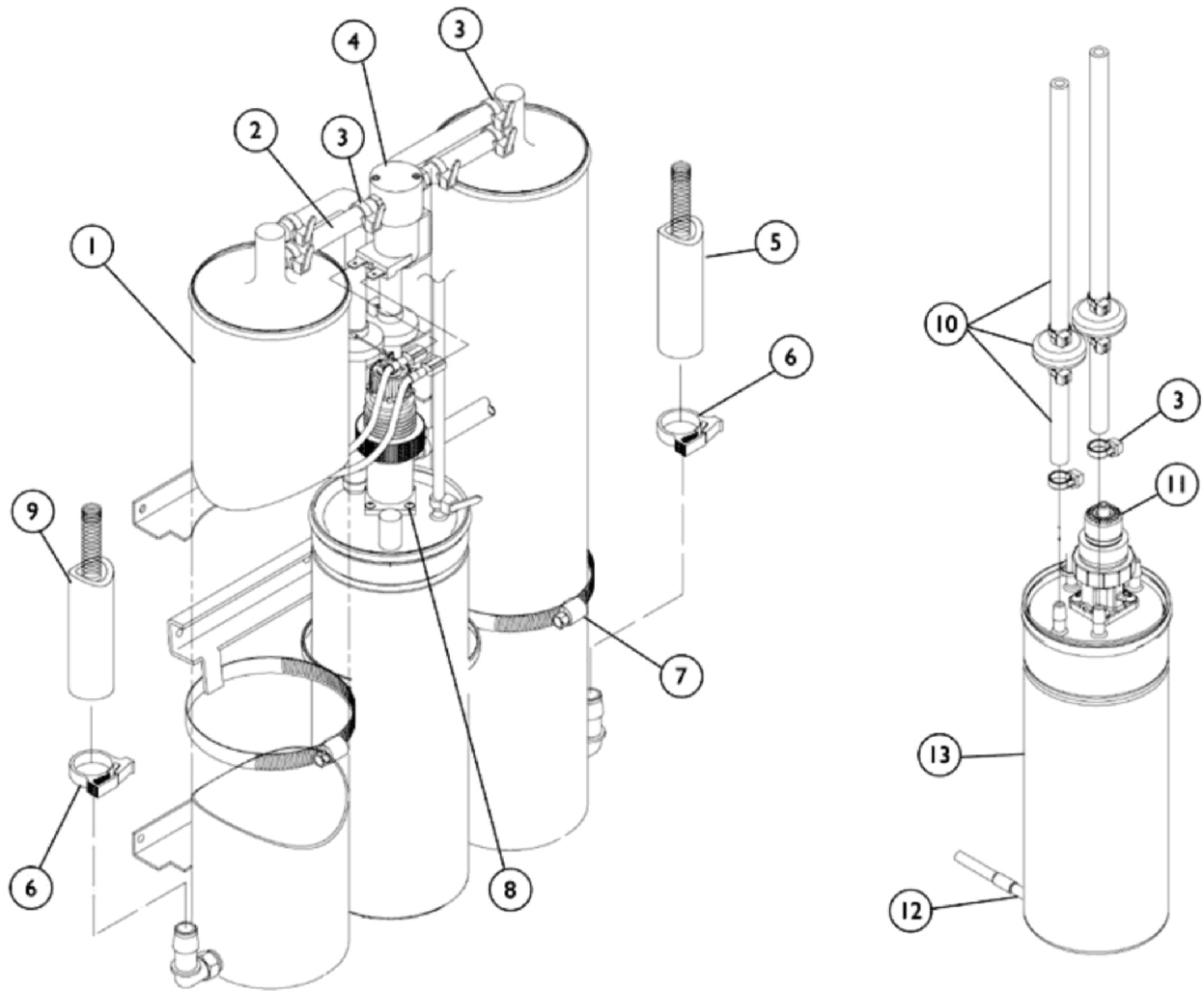
### IRC5LXAW and IRC5LXO2AW

Item Number	Note	Part Number	Description	Quantity Per	
				Package	Assembly
1		1108816	Foam, Base	1	1
2		1104151	Fitting, Hose Barb with Nut (1/8")	1	1
3		1108211	Cap, End, Dust, Green	1	1
4	A,D	1062791-NLA	NLA - Cord, Line - Brazil, Korea and Turkey	1	1
4	A	1131308-NLA	NLA - Tech Only - Cord, Power, Continental Europe	1	1
4	A	1062794-NLA	NLA - Cord, Power - Argentina, Australia, Peoples Republic of China and New Zealand	1	1
4	A	1062793-NLA	NLA - Cord, Power - Hong Kong, Singapore and Vietnam	1	1
4	A	1071398	Cord, Power - Israel	1	1
4	A	1102634	Cord, Power - India	1	1
5		1105515-NLA	NLA - Tech Only - Module, Inlet (15A/ 250 VAC)	1	1
6	C	1076830-NLA	NLA - Caster (2")	1	4
6		1110426	Caster Assembly (2")	1	4
7		2000576	Stand-Off, Twist-Lok (1/2")	1	1
8	B,E	1134174-NLA	NLA - Tech Only - Base, Compressor, Black	1	1
9		2002360-NLA	NLA - Grommet, Plastic	1	4
9		2000360	Grommet, Plastic	1	4
10		2000508	Screw, Phillips Truss Head Self Tap (#8-32 x 5/8")	1	4

NOTE: A - Select line cord desired.  
 B - Includes Base Only.  
 C - Item no longer available, refer to Part #1110426.  
 D - Item no longer available, refer to Part #1131308.  
 E - As of 5/8/07 the base color has changed to black.

# Sieve Beds and Product Tank

## IRC5LXAW and IRC5LXO2AW



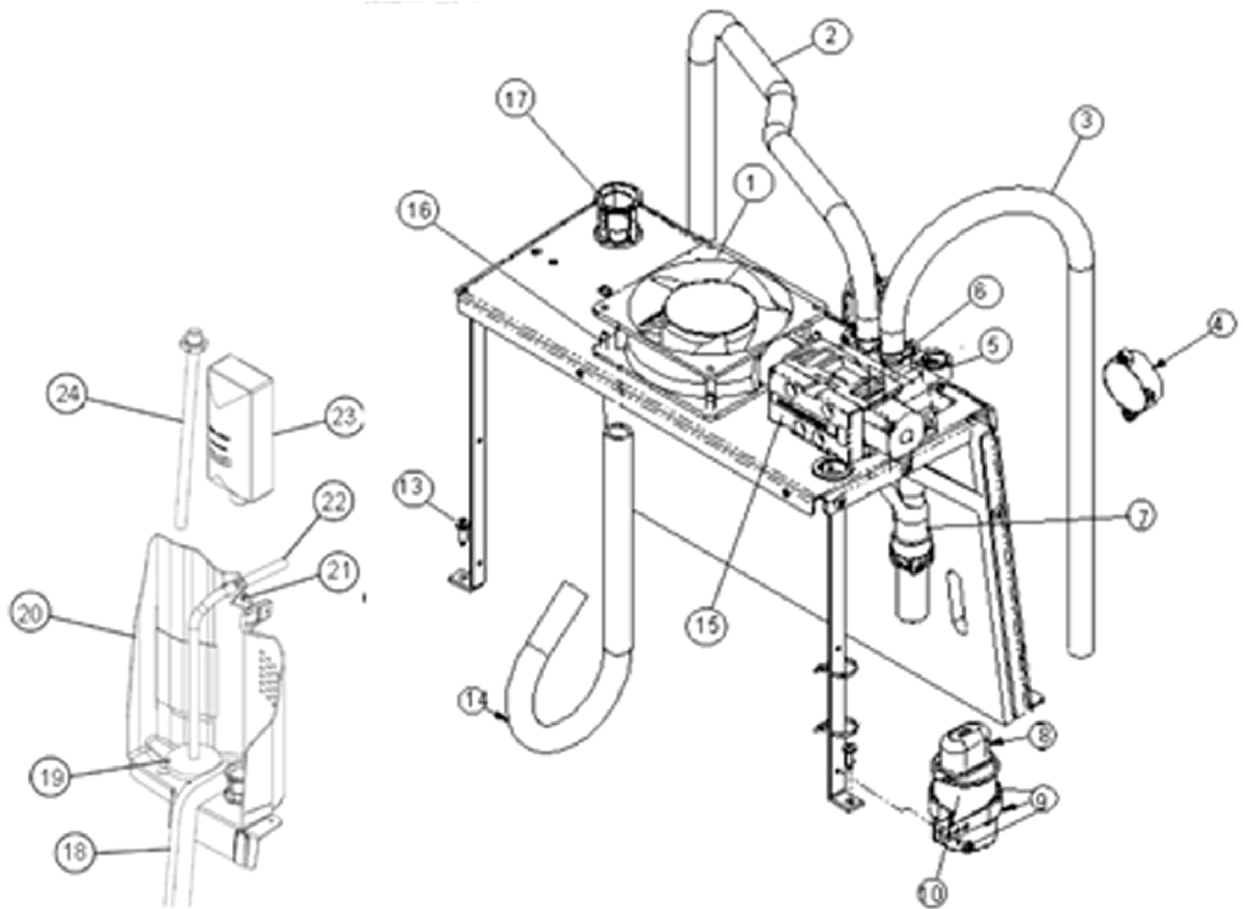
## Sieve Beds and Product Tank IRC5LXAW and IRC5LXO2AW

Item Number	Note	Part Number	Description	Quantity Per		
				Package	Assembly	
1	A,K	1101707	Sieve Bed Assembly (Pair)	1	1	
2		1110774	Tubing, PVC (1/4 x 2-1/2")	1	2	
3		2001682	Tie Wrap (8" L)	1	9	
4		2001656	PE Valve Assembly w/ Fitting	1	1	
5		1108783	Tubing, Braided (1/2 x 23")	1	1	
6		2001652	Clamp, Plastic (1/2")	1	2	
7		1002807	Clamp, Hose	1	3	
8		1075666	Screw, Socket Button Head Cap, Regulator (8-32 x 3/8")	1	4	
9	C	1108784	Tubing, Braided (1/2 x 20-1/4")	1	1	
10		1104310	Kit, Check Valve	1	1	
			Clamp, Hose	1	2	
			Tie Wrap (3-29/32" L)	1	1	
			Instruction Sheet	1	1	
			Check Valve, Barb (5/16")	1	2	
			Tie Wrap (8" L)	1	9	
			Tube, Clear (1/4")	1	1	
11		C,J	1182500	Kit, Regulator/Adaptor w/ Bled Adaptor, Foam Mount and Check Valve Assy.	1	1
				Kit, Regulator and Adaptor w/ Bled Regulator Mount, Foam Product Tank	1	1
	Check Valve Assembly (14-1/2")			1	1	
	Tie Wrap (17-1/2" L)			1	1	
	Tie Wrap (8" L)			1	2	
	Instruction Sheet, Contents and Application			1	1	
12	D,I			1116433	HomeFill Tubing Assembly	1
13	E,F,I	1116731-NLA	NLA - Product Tank Assembly - IRC5LX	1	1	
13	E,G,I	1130681	Product Tank Assembly	1	1	
14		1108809	Tubing, PVC (1/4 x 12-3/4")	1	1	
15		1070050	Tie Wrap (3-29/32" L)	1	1	

NOTE: A - Includes (2) Sieve Beds, (2) Clamps, (2) Hose Clamps and (4) Tie Wraps.  
C - Dependent on Model.  
D - Includes Fitting, Tubing, Restrictor and Filter.  
E - Includes Product Tank, Cap with O-ring, Snap Ring and Regulator.  
F - IRC5LXAW. Kit includes the Regulator, (4) Screws, (2) O-Rings  
G - IRC5LXO2AW. Kit includes the Regulator, (4) Screws, (2) O-Rings  
I - Due to design change the Homefill Tubing Assembly has changed from a 8-1/2" to a 18" Hose, with a removal of the fitting as well. The change is compatible with existing units.  
J - Kit includes the Regulator, Adaptor, Tank Mount, Check Valve, Tie Wraps, and Instruction Sheet.  
K - May contain reactivated sieve.

# Sound Box and Manifold

## IRC5LXAW and IRC5LXO2AW





## Sound Box and Manifold IRC5LXAW and IRC5LXO2AW

Item Number	Note	Part Number	Description	Quantity Per	
				Package	Assembly
1		See Note	See Footnote	1	1
2		1108783	Tubing, Braided (1/2 x 23")	1	1
3		1108784	Tubing, Braided (1/2 x 20-1/4")	1	1
4		2001765	Harness, Horn/Alarm	1	1
5	A,B	1108085	Manifold/Valve Assembly	1	1
6		2001682	Tie Wrap (8" L)	1	5
7		1110775	Muffler/Y-Tube Assembly	1	1
8		P0875X560-NLA	NLA - Boot, Terminal	1	1
9		2003019-NLA	Kit, Capacitor 15 MFD	1	1
			NLA - Tech Only - Capacitor, 15 MFD	1	1
			Clamp, Cap	1	1
			Screw, Phillips Pan Head (8-32 x 1/2")	1	1
			Washer, Flat (#8)	1	1
			NLA - Nut, Keps (#6-32)	1	1
			NLA - Boot, Terminal	1	1
			Tie Wrap (3-29/32" L)	1	1
			NLA - Screw, Phillips Hex Washer Head (#8-32 x 3/8")	1	1
			Tie Wrap (8" L)	1	2
10		1068698-NLA	NLA - Tech Only - Capacitor, 15 MFD	1	1
11	C	P0876X026	Clamp, Hose	1	2
12	C,E	1121074-NLA	NLA - Elbow, PVC Formed (1/2 x 2-1/2 x 6")	1	1
12	C,F	1108822	Elbow, PVC Formed (1/2 x 2-1/2 x 2-1/2")	1	1
13		1108810	Screw, Hi-Lo Six Lobe Drive (#10-16 x 5/8")	1	7
14		1119562-NLA	NLA - Tech Only - Tube, Compressor Inlet Assembly	1	1
15		1101141	Kit, 4-Way Valve w/ Screws	1	1
	C	1101141R	Valve, Reconditioned	1	1
	C	1101141E-NLA	Kit, Valve - Warranty Replacement	1	1
			Valve, Reconditioned	1	1
			Gasket	1	1
			Screw, Socket Head (M5 x .8 x 2mm)	1	4
16		1110852	Screw, Slotted Hex Washer Head (#10-24 x 1/2")	1	4
17		1106675	Coupling, Inlet Filter	1	1
18		2000812	Seal, Foam	1	2
19	G	P0750X030	Filter, Patient HEPA Outlet	1	1
20		1115183	Partition Assembly	1	1
21		2003065-NLA	NLA - Screw, Phillips Hex Washer Head (#8-32 x 3/8")	1	1
21		1128404	Screw, Phillips Hex Washer Head (#8-32 x 3/8")	1	1
22		1108815-NLA	NLA - Tubing, Silicon (1/4 x 16-1/4")	1	1
23	D	1108078-NLA	NLA - Filter, Inlet	1	1
23		1131249	Filter, Inlet Sound Reduced	1	1
24		1110768-NLA	NLA - Tech Only - Adaptor, Humidifier Bottle	1	1

## Sound Box and Manifold IRC5LXAW and IRC5LXO2AW

Item Number	Note	Part Number	Description	Quantity Per	
				Package	Assembly
24		2000799	Adapter with Tubing for Humidifier Bottle	1	1
NOTE: A - Manifold is not available as an item. Must order item 5, Manifold/Valve Assembly. B - Includes items 2, 3, 6-8, 12 and 16. C - Not Shown. D - Item no longer available, refer to Part #1131249. E - For use with Old Style Heat Exchanger only, Before 7/19/05. F - For use with New Style Heat Exchanger only, After 7/18/05. G - After 7/19/06 the Hepa Filter was moved to the inside of cabinet, located between the Flow Meter and the Patient Outlet Barb. See "Rear Control Panel" category to view reflective changes.					

# Warranty Replacement Parts

Part Number	Description	Quantity per Assembly
1106690E-NLA See Note(s) A	WARR RPLMT - Compressor Assembly, Thomas (5LX Plat.)	1
1108731E-NLA	WARR RPLMT - ISBN PCB Assembly	1
1108720E-NLA See Note(s) B	WARR RPLMT - LXN PCB Assembly	1

NOTE: A - See "Compressor" Category for more information.  
B - See "Control Panel - Rear View" Category for more information.

**Invacare Corporation**

[www.invacare.com](http://www.invacare.com)



**Yes, you can.**

One Invacare Way  
Elyria, Oh USA  
44036-2125  
800-333-6900

Technical Support  
800-832-4707  
Florida Technical Support  
407-321-5630

Customer Service  
800-333-6900

© 2021 Invacare Corporation. All rights reserved. Republication, duplication or modification in whole or in part is prohibited without prior written permission from Invacare. Trademarks are identified by ™ and ®. All trademarks are owned by or licensed to Invacare Corporation or its subsidiaries unless otherwise noted. Palnut is a registered trademark of Transtechnology Corporation. Information is subject to change without notification.  
(Revised 05/25/21)

Form No. 03-036