

**Compass™ SPT™
Compass™ SPT™ Limited**

Wheelchairs



Yes, you can.

Parts Catalog Usage Guide

The information contained in this document is subject to change without notice. This catalog contains service parts for Form No. 03-032. If you have any questions regarding this catalog, please contact one of our Customer Service Representatives.

For Customer Service Support Call:

1-800-333-6900

For Faxed In Orders Call:

1-800-678-4682 or

1-440-366-0709

For Technical Service Call:

1-800-832-4707

Literature Can Be Found at:

www.invacare.com or

1-800-828-6272

SYMBOL DEFINITION

Throughout this catalog you will notice letters to draw your attention to specific footnotes which are located at the bottom of the page or below specified charts.

Examples:

A,B,C etc. = Special Comments

NOTE: = General information pertaining to that specific page

NLA = No Longer Available

HARDWARE MEASUREMENTS

The measurements for the hardware will be listed as follows:

Screws, Bolts Diameter X Thread Count/Pitch X Length

Washers Inside Diameter X Outside Diameter X Thickness

Spacers Inside Diameter X Outside Diameter X Length

For your convenience, we have supplied an area for you to list your Invacare Representatives.

Name	Phone Numbers

© 2022 Invacare Corporation. Elyria, Ohio. Invacare, Yes, you can., and the Medallion Design are registered trademarks and Compass and SPT are trademarks of Invacare Corporation. KIK is a registered trademark of KIK Technology, Inc. Natural Fit is a trademark of Three Rivers Out Front.

TABLE of CONTENTS

Description	Page Number
Accessories - Headrest Support Assembly - Matrx Elan MEHSP-10,14	126
Accessories - Headrest Support Assembly - Stealth (CP175-CP275-CP180-CP280)	124
Accessories - Miscellaneous	127
Adult Tilt Foot Assist Option (ATFA)	66
Arms - "T" Arm	36
Arms - Adjustable Height	32
Arms - Arm Attaching Hardware	28
Arms - Cantilever (Compass Limited Only)	34
Arms - Fixed Height	30
Axles - Axle Hardware - Anti-Tippers	46
Canes - Back - Adjustable Height	24
Canes - Back - Backrest Hardware	22
Casters - Front (After 6/29/11)	42
Casters - Front and Mounting Hardware (Before 7/1/11)	40
Casters - Mounting Hardware (After 6/29/11)	43
Forks & Hardware (After 6/29/11)	45
Forks & Hardware (Before 7/1/11)	44
Frames - Crossbraces & Hardware	13
Frames - Finishes & Touch-Up Paint	5
Frames - Frame Hardware (12" Wheels)	9
Frames - Frame Hardware (20", 22", or 24" Wheels)	11

TABLE of CONTENTS

Description	Page Number
Front Riggings - Adjustable Angle Footplate Assemblies - AT5543	115
Front Riggings - Adjustable Heel Loops	122
Front Riggings - Articulating Legrest Support - ATL4A (Center Pivot)	100
Front Riggings - Articulating Legrest Support - PHAL4A (Pin Style)	86
Front Riggings - Footrest Support - PHW93 (Pin Style)	81
Front Riggings - Heel Loops & Toe Loops	119
Front Riggings - Legrest Calf Pads & Ratchet Assembly	103
Front Riggings - Legrest Support - PH904A (Pin Style)	83
Front Riggings - Lift Off Footrest Support Assemblies	91
Front Riggings - Pivot Tube w/ Footplate Assemblies - 1651 Composite	105
Front Riggings - Pivot Tube w/ Footplate Assemblies - A1562 Aluminum	109
Front Riggings - Pivot Tube w/ Footplate Assemblies - A1564 Extra Large Aluminum	112
Front Riggings - Ratchet Style Legrest Support Assembly - AT5044 (Before 9/21/05)	93
Front Riggings - Swingaway Footrest Supports (60°, 70°, & 90°) (Center Pivot)	89
Front Riggings - Wedge Style Legrest Support Assembly - AT5044 (Intro. 9/21/05)	95
Handrims & Handrim Hardware	51
Handrims & Handrim Hardware - Natural Fit	52
Packaging - Cartons, Literature & Decals	7
Seat Pan, Seat Rails, Shrouds & Hanger Brackets	16
Stroller Handle - Adjustable Angle - Rigid Inside Mount (After 5/28/08)	77
Stroller Handle - Adjustable Angle - Rigid Outside Mount (After 5/29/08)	79

TABLE of CONTENTS

Description	Page Number
Stroller Handle - Adjustable Angle (8/16/05 thru 5/29/08)	70
Stroller Handle - Adjustable Angle (Before 8/16/05)	68
Stroller Handle - Non-Adjustable Rigidizing - 1483 (8/16/05 thru 5/29/08)	75
Stroller Handle - Non-Adjustable Rigidizing - 1483 (Before 8/16/05)	72
Tilt Hardware	20
Upholstery - Back	26
Wheel Lock - Hublock Replacement Kits (After 10/31/07)	59
Wheel Lock - Hublock Replacement Kits (Before 11/01/07)	61
Wheel Lock w/ Hardware - 12" Wheels (Pull to Lock)	54
Wheel Lock w/ Hardware - 20", 22", and 24" Wheels (Push to Lock)	56
Wheel Locks - Hublock Retro-Fit Kits	63
Wheels - Rear w/o Handrims - Chairs w/ Hublocks	49
Wheels - Rear w/o Handrims - Chairs w/o Hublocks	48

Frames Finishes and Touch-Up Paint

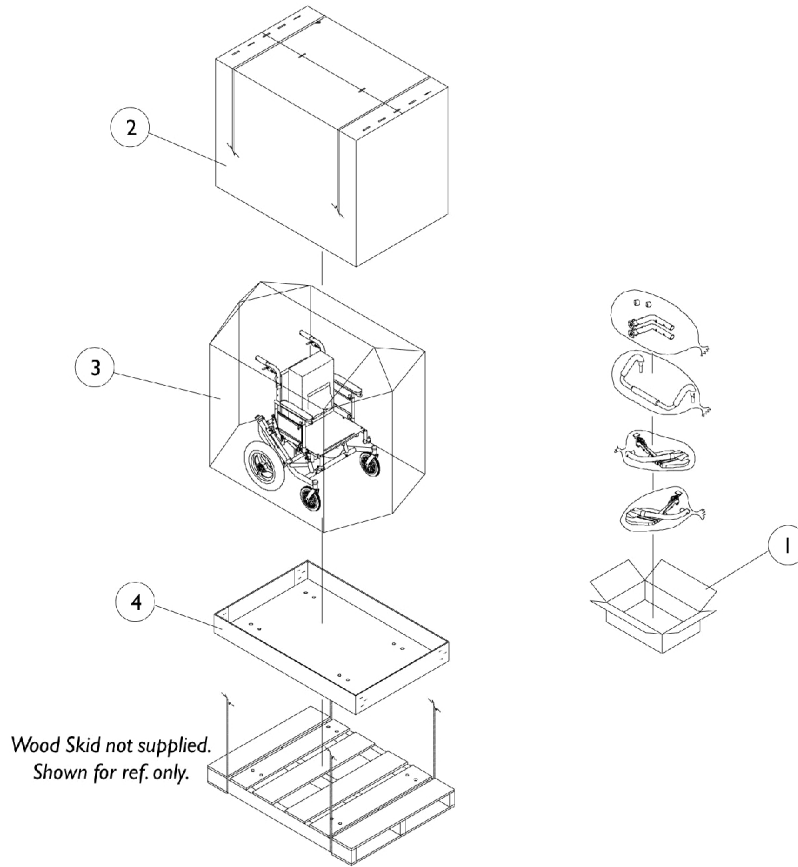
Contemporary Color Numbers	Touch-Up Paint (.6 oz.)	Color
22P	1033376-NLA	Anthracite
115P	1133371-NLA	Black Prism
66P	1046322-NLA	Electric Purple
80P	1073892-NLA	Evergreen with Navy
101P	1101325-NLA	Jeweled Green
105P	1101326-NLA	Midnight Blue
33P	1031455-NLA	Red
83P	1073895-NLA	Royal Blue with Grape
60P	1101318-NLA	Silver Metallic
71P	N/A	Silver Vein
24P	1031450-NLA	Wet Black
Too Hot Color Numbers	Touch-Up Paint (.6 oz.)	Color
119P	1133375-NLA	Bubblegum Pink
61P	1046321-NLA	Electric Red
118P	1133374-NLA	Fruit Fusion
120P	1133376-NLA	Grape Madness
116P	1133372-NLA	Sunkissed Orange
30P	1074167-NLA	Sunny Yellow
117P	1133373-NLA	Tangerine Red
Way Cool Color Numbers	Touch-Up Paint (.6 oz.)	Color
123P	1133379-NLA	Celestial Purple
122P	1133378-NLA	Cosmic Blue
62P	1046320-NLA	Electric Blue
79P	1101316-NLA	Electric Teal
125P	1133381-NLA	Emerald Green
127P	1133383-NLA	Grasshopper Green
121P	1133377-NLA	Lolly Pop Blue
126P	1133382-NLA	Shamrock Green
124P	1133380-NLA	Vivid Violet

Frames Finishes and Touch-Up Paint

Sparkle Frame Finishes

Color Number	Color
88P	Wet Black w/Twilight Sparkle

Packaging - Cartons, Literature & Decals



Packaging - Cartons, Literature & Decals

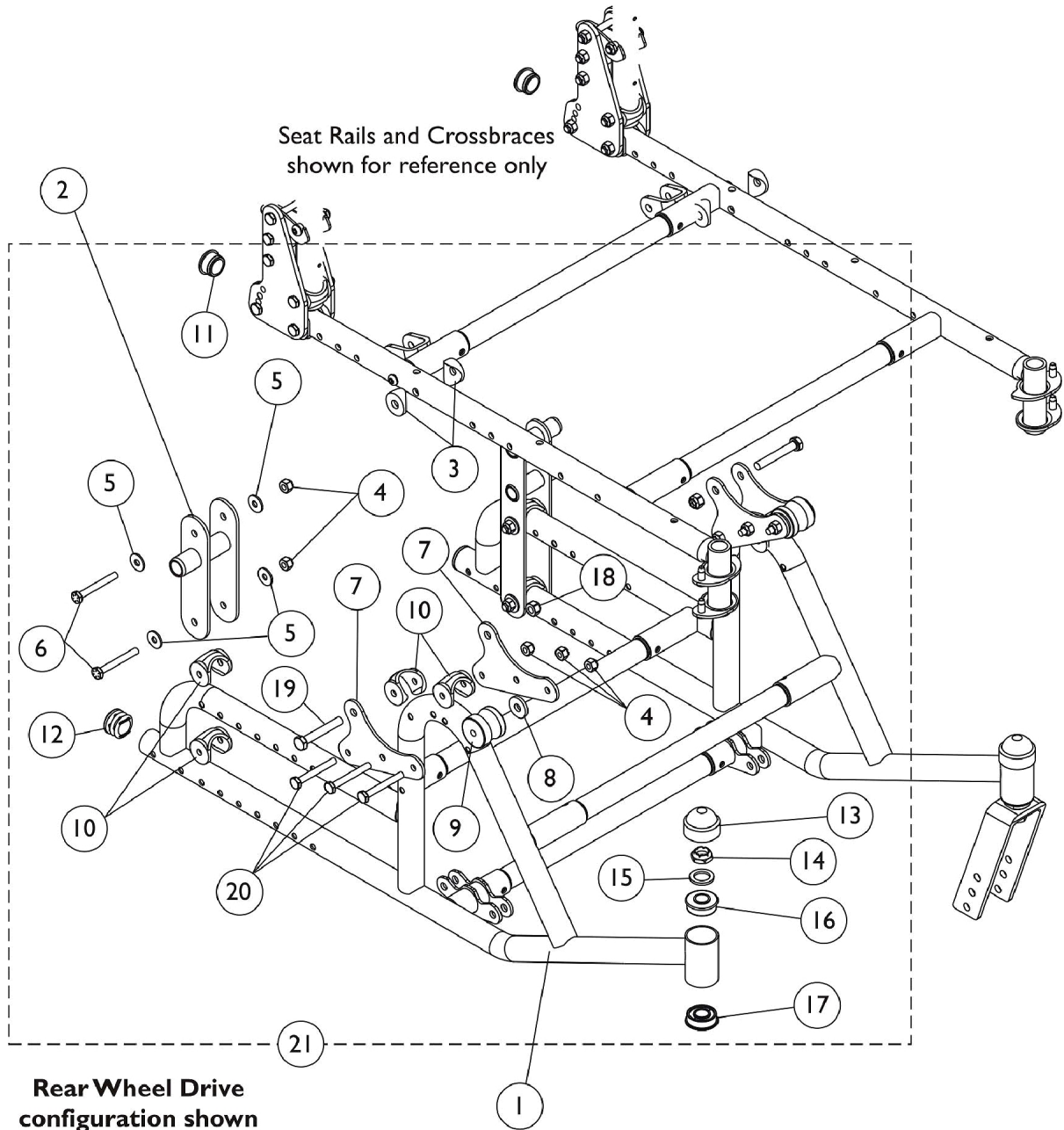
Item Number	Note	Part Number	Description	Quantity Per	
				Package	Assembly
1		40131X011-NLA	NLA - Carton, Front Riggings	1	1
2		1030364	Carton, Cover	1	1
3		1015592	Bag, Poly (72" L x 35" W x 19" D)	1	1
4		1030362	Carton, Tray	1	1
	A,B	1122134-NLA	NLA - Owner's Manual, Compass SPT & SPT Limited	1	1
	A,B	1130215-NLA	NLA - Service Manual, Hublock	1	1
	A	1095683-NLA	NLA - Package, Invacare Logo Decal	2	1
	A	1121608-NLA	NLA - Decal, Model - Compass SPT	1	2
	A	1125014-NLA	NLA - Decal, Model - Compass Limited	1	2

NOTE: A - Not Shown
 B - Item is no longer available from the Invacare Service Parts Department. Refer to the Invacare Website under "Product Literature Search". Enter the part number in the "Keywords" field and download a free PDF version copy.

When adjusting or replacing parts, please refer to your Owner's Manual for assistance.

Frames and Frame Hardware

NOTE: If the chair is set up for a **FRONT WHEEL CONFIGURATION** and they need a right side frame, they should order the left side frame, if they need a left side frame, they should order the right side.



Frames and Frame Hardware

NOTE: If the chair is set up for a FRONT WHEEL CONFIGURATION and they need a right side frame, they should order the left side frame, if they need a left side frame, they should order the right side.

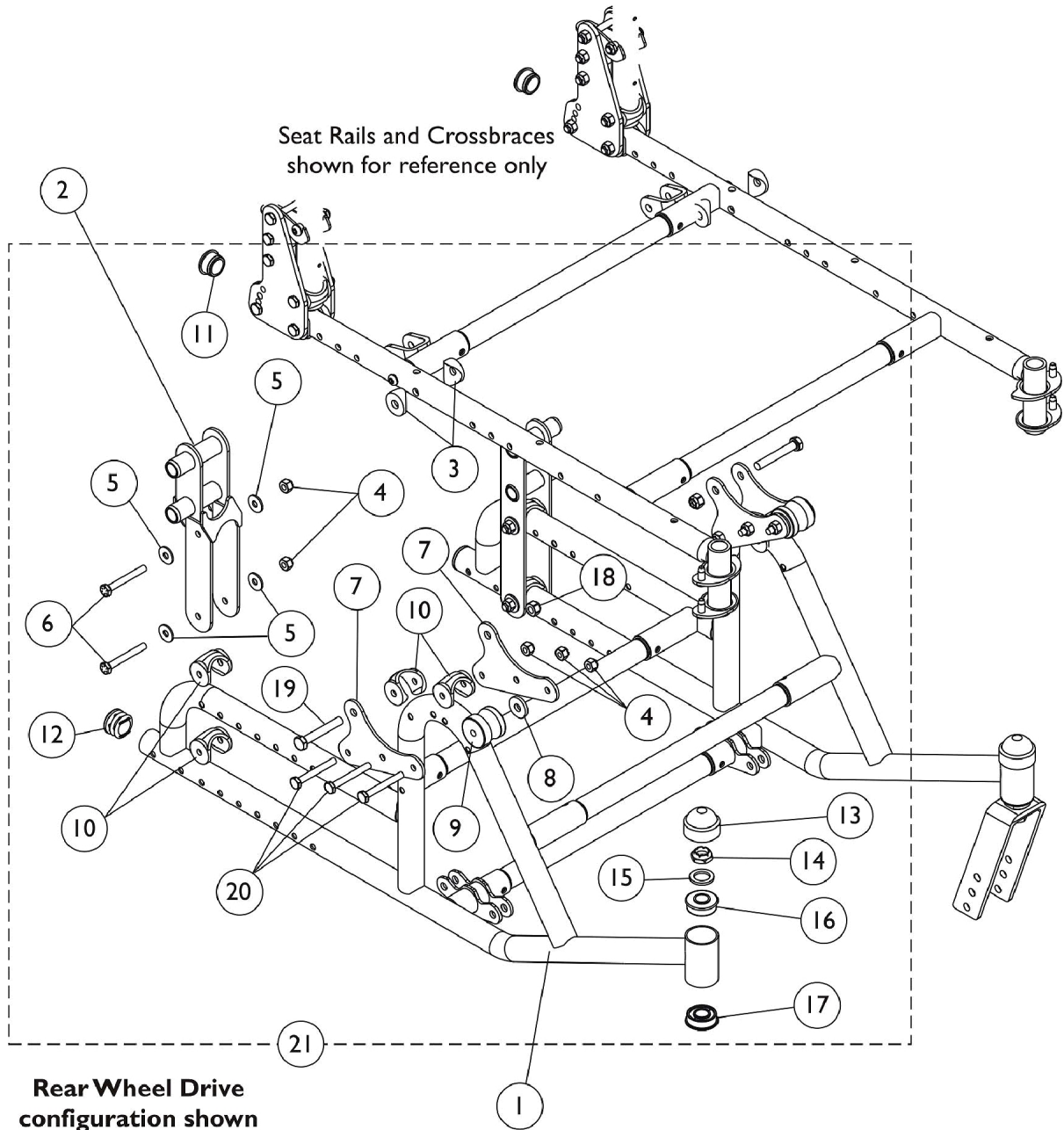
Item Number	Note	Part Number	Description	Quantity Per	
				Package	Assembly
1	A,E,F	8881121602	Frame w/ Headtube Bearings, Color - Right	1	1
1	A,E,F	8881121603	Frame w/ Headtube Bearings, Color - Left	1	1
2	B,D	1124538	Plate, Rear Axle	1	2
3		1016263	Spacer, Coved (3/4 x 1 x 1/2")	1	4
4		1065362	Locknut (1/4-28)	1	10
5		1026900	Washer (1/4 x 23/32 x 1/16")	1	8
6		1114099	NLA - Screw, Hex Head (1/4-28 x 2")	1	4
7		1121619-NLA	NLA - Plate, Tilt Angle	1	4
8		1016301	Washer, Nylon (5/16 x 7/8 x 1/8")	1	2
9		1048801	Block, Stop	1	2
10		1118469	Uni-Washer, Coved	1	8
11		1056328	Plug Button, Black (1")	1	2
12		1029501	Plug Button, Black (1")	1	2
13		1001843	Cap, Head Tube, Black	1	2
14		1001979	Locknut (1/2-20)	1	2
15		1021508	Washer, Nylon (5/8 x 1 x 3/32")	1	2
16		1001801	Bearing, Flange (1/2")	1	2
17		1085298	Bearing (1-1/4" O.D. x 1/2" I.D.)	1	2
18		1026906-NLA	NLA - Locknut (5/16-24)	1	2
19		1031891	Screw, Hex Head (5/16-24 x 2")	1	2
20		1055349	Screw, Hex Head (1/4-28 x 2")	1	6
21	C	1121580	Kit, Frame Hardware (Both Frames)	2	1
13		1131189	Package, Head Tube Cap	10	2

NOTE: A - Frame includes Headtube Bearings (items 16 and 17)
 B - Item 2, Rear Axle Plate, is Not included in Frame Hardware Kit.
 C - Includes items 3-20
 D - Use with 12" Wheels (Limited chairs)
 E - Specify frame finish when ordering
 F - If the chair is set up for a FRONT WHEEL CONFIGURATION and they need a right side frame, they should order the left side frame, if they need a left side frame, they should order the right side.

NOTE: If the chair is set up for a FRONT WHEEL CONFIGURATION and they need a right side frame, they should order the left side frame, if they need a left side frame, they should order the right side.

Frames and Frame Hardware

NOTE: If the chair is set up for a **FRONT WHEEL CONFIGURATION** and they need a right side frame, they should order the left side frame, if they need a left side frame, they should order the right side.



Frames and Frame Hardware

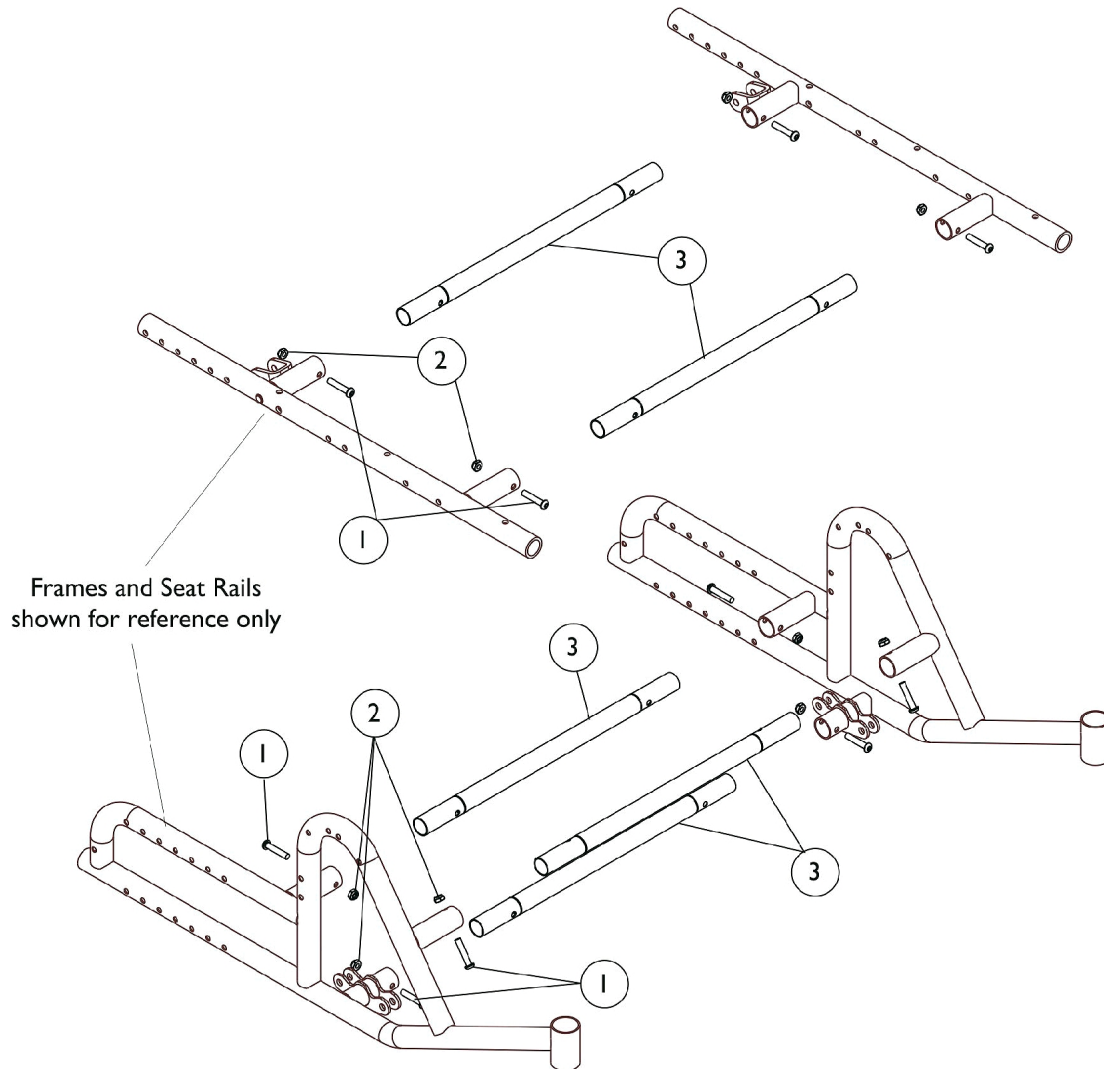
NOTE: If the chair is set up for a FRONT WHEEL CONFIGURATION and they need a right side frame, they should order the left side frame, if they need a left side frame, they should order the right side.

Item Number	Note	Part Number	Description	Quantity Per	
				Package	Assembly
1	A,F,G	8881121602	Frame w/ Headtube Bearings, Color - Right	1	1
1	A,F,G	8881121603	Frame w/ Headtube Bearings, Color - Left	1	1
2	B,D,E	1121625	Plate, Rear Axle (Offset)	1	2
3		1016263	Spacer, Coved (3/4 x 1 x 1/2")	1	4
4		1065362	Locknut (1/4-28)	1	10
5		1026900	Washer (1/4 x 23/32 x 1/16")	1	8
6		1114099	NLA - Screw, Hex Head (1/4-28 x 2")	1	4
7		1121619-NLA	NLA - Plate, Tilt Angle	1	4
8		1016301	Washer, Nylon (5/16 x 7/8 x 1/8")	1	2
9		1048801	Block, Stop	1	2
10		1118469	Uni-Washer, Coved	1	8
11		1056328	Plug Button, Black (1")	1	2
12		1029501	Plug Button, Black (1")	1	2
13		1001843	Cap, Head Tube, Black	1	2
14		1001979	Locknut (1/2-20)	1	2
15		1021508	Washer, Nylon (5/8 x 1 x 3/32")	1	2
16		1001801	Bearing, Flange (1/2")	1	2
17		1085298	Bearing (1-1/4" O.D. x 1/2" I.D.)	1	2
18		1026906-NLA	NLA - Locknut (5/16-24)	1	2
19		1031891	Screw, Hex Head (5/16-24 x 2")	1	2
20	1055349	Screw, Hex Head (1/4-28 x 2")	1	6	
21	C	1121580	Kit, Frame Hardware (Both Frames)	2	1
13		1131189	Package, Head Tube Cap	10	2

NOTE: A - Frame includes Headtube Bearings (items 16 and 17)
 B - Item 2, Rear Axle Plate, is Not included in Frame Hardware Kit.
 C - Includes items 3-20
 D - Due to design change, Rear Axle Plate (1121625) must be replaced in pairs on chairs built Before 2/1/04. Previous Axle Plate is NLA.
 E - Use with 20", 22", & 24" Wheels (SPT chairs)
 F - Specify frame finish when ordering
 G - If the chair is set up for a FRONT WHEEL CONFIGURATION and they need a right side frame, they should order the left side frame, if they need a left side frame, they should order the right side.

NOTE: If the chair is set up for a FRONT WHEEL CONFIGURATION and they need a right side frame, they should order the left side frame, if they need a left side frame, they should order the right side.

Crossbraces and Hardware



Item Number	Note	Part Number	Description	Quantity Per	
				Package	Assembly
1		1055309	Screw, Socket Button Head (1/4-28 x 1-1/4")	1	10
2		1025765	Locknut (1/4-28)	1	10
3		See Chart	#3 Crossbraces (14-18" Wide)	1	5
3		See Chart	#3 Crossbraces (19-22" Wide)	1	5

Crossbraces and Hardware

#3 Crossbraces (14-18" Wide)

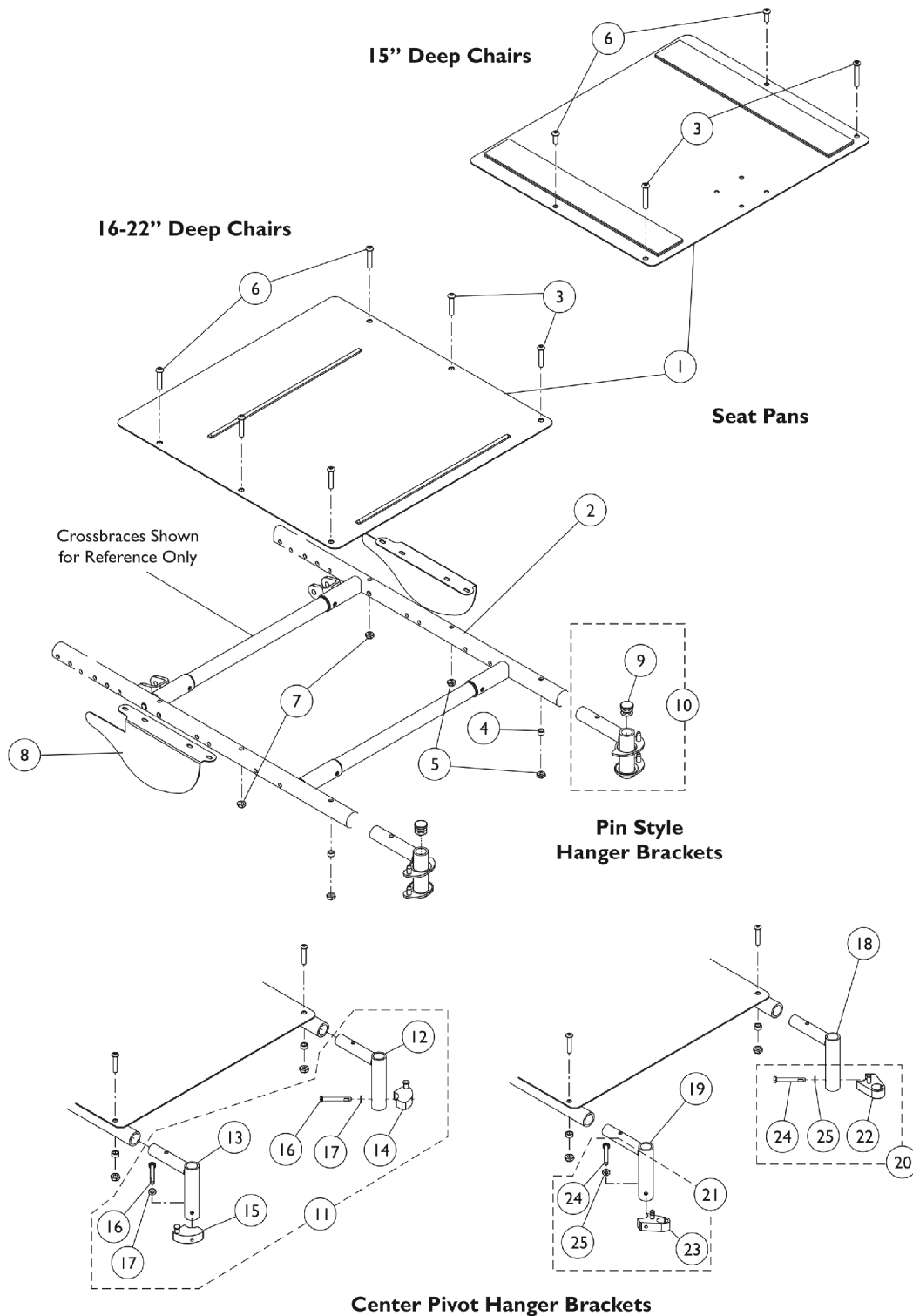
14" Wide	15" Wide	16" Wide	17" Wide	18" Wide
1121541	1121542	1121543	1121544	1121545

Crossbraces and Hardware

#3 Crossbraces (19-22" Wide)

19" Wide	20" Wide	21" Wide	22" Wide
1121546	1121547	1121548	1121549

Seat Pan, Seat Rails, Shrouds, and Hanger Brackets



Seat Pan, Seat Rails, Shrouds, and Hanger Brackets

Item Number	Note	Part Number	Description	Quantity Per	
				Package	Assembly
1		See Chart	#1 Seat Pans (14-18" Wide)	1	1
1		See Chart	#1 Seat Pans (19-22" Wide)	1	1
2		See Chart	#2 Seat Rails	1	1
3	A	1083099	Screw, Socket Button Head (1/4-28 x 1-1/2")	1	4
4		1047449-NLA	NLA - Spacer (1/4 x 3/8 x 3/16")	1	2
5	A	1025765	Locknut (1/4-28)	1	4
6	B	1083099	Screw, Socket Button Head (1/4-28 x 1-1/2")	1	2
6	C	1055304	Screw, Socket Button Head (1/4-28 x 5/8")	1	2
7	D	1025765	Locknut (1/4-28)	1	2
8		1121609	Shroud, Seat Rail - Right (Adjustable Height Arms)	1	1
8		1121610	Shroud, Seat Rail - Left (Adjustable Height Arms)	1	1
8		1121616-NLA	NLA - Shroud, Seat Rail - Right (T-Arms)	1	1
8		1121617-NLA	NLA - Shroud, Seat Rail - Left (T-Arms)	1	1
9		1027097	Plug Button, Black (3/4")	1	2
10	E	1121605	Hanger, Front Rigging, Black - Right	1	1
10	E	1121606	Hanger, Front Rigging, Black - Left	1	1
11	F	1125242	Front Rigging Hanger Assembly w/ Sector Block, Center Pivot, Black (Pair)	1	1
12			Hanger, Front Rigging, Center Pivot, Black - Left	1	1
13			Hanger, Front Rigging, Center Pivot, Black - Right	1	1
14			NLA - Block, Sector - Left	1	1
15			NLA - Block, Sector - Right	1	1
16			Screw, Hex Head w/ Patch (1/4-20 x 2")	1	2
17			Washer (1/4 x 1/2 x 1/16")	1	2
18		1125241	Hanger, Front Rigging, Center Pivot, Black - Left	1	1
19		1125240	Hanger, Front Rigging, Center Pivot, Black - Right	1	1
20	G	1128281	Kit, Sector Block - Left	1	1
22			Block, Sector - Left	1	1
24			Screw, Hex Head (1/4-20 x 1-5/8")	1	1
25			Washer (1/4 x 1/2 x 1/16")	1	1
21	G	1128280	Kit, Sector Block - Right	1	1
23			Block, Sector - Right	1	1
24			Screw, Hex Head (1/4-20 x 1-5/8")	1	1
25			Washer (1/4 x 1/2 x 1/16")	1	1
	G,H	1142975	Kit, Sector Block Hardware, Lift Off (Pair)	1	1
			Screw, Socket Head (1/4-20 x 1-3/4")	1	2
			NLA - Washer, Steel (1/4 x 1/2 x 3/64")	1	2
			Block, Sector - Right	1	1
			Block, Sector - Left	1	1
	J	1054571	Kit, Sector Block - Right	1	1
	K	1054572	Kit, Sector Block - Left	1	1

Seat Pan, Seat Rails, Shrouds, and Hanger Brackets

NOTE: A - 2 ea. required for 15" Deep chairs. 4 ea. required for 16-22" Deep chairs.
 B - Chairs built Before 4/1/04
 C - Chairs built After 3/31/04
 D - Required only on chairs built Before 4/1/04
 E - Hanger Bracket includes Plug Button (item 9)
 F - Includes items 12 thru 17.
 G - For use on Lift Off Style Front Riggings.
 H - Not shown.
 J - Not shown. Kit includes (Item 14) Right Sector Block, (Item 16) Screw, and (Item 17) Washer
 K - Not shown. Kit includes (Item 15) Left Sector Block, (Item 16) Screw, and (Item 17) Washer

#1 Seat Pans (14-18" Wide)

(Includes Hook & Loop Fasteners)

Chair Depth	14" Wide	15" Wide	16" Wide	17" Wide	18" Wide
15"	1054850-NLA	1054851-NLA	1049082-NLA	1049090-NLA	1049098-NLA
16"	1054852-NLA	1054853-NLA	1049083	1049091-NLA	1049099
17"	1054854-NLA	1054855-NLA	1049084-NLA	1049092-NLA	1049100-NLA
18"	1054856-NLA	1054857-NLA	1049085	1049093-NLA	1049101
19"	1054858	1054859-NLA	1049086	1049094	1049102
20"	1054860-NLA	1054861-NLA	1049087-NLA	1049095-NLA	1049103
21"	1054862-NLA	1054863-NLA	1049088-NLA	1049096-NLA	1049104-NLA
22"	1054864	1054865-NLA	1049089-NLA	1049097-NLA	1049105-NLA

#1 Seat Pans (19-22" Wide)

(Includes Hook & Loop Fasteners)

Chair Depth	19" Wide	20" Wide	21" Wide	22" Wide
15"	1049106-NLA	1049114-NLA	1049122-NLA	1049130-NLA
16"	1049107-NLA	1049115-NLA	1049123-NLA	1049131
17"	1049108-NLA	1049116-NLA	1049124-NLA	1049132-NLA
18"	1049109	1049117	1049125-NLA	1049133
19"	1049110	1049118-NLA	1049126-NLA	1049134-NLA
20"	1049111	1049119	1049127-NLA	1049135
21"	1049112	1049120	1049128-NLA	1049136-NLA
22"	1049113-NLA	1049121	1049129-NLA	1049137-NLA

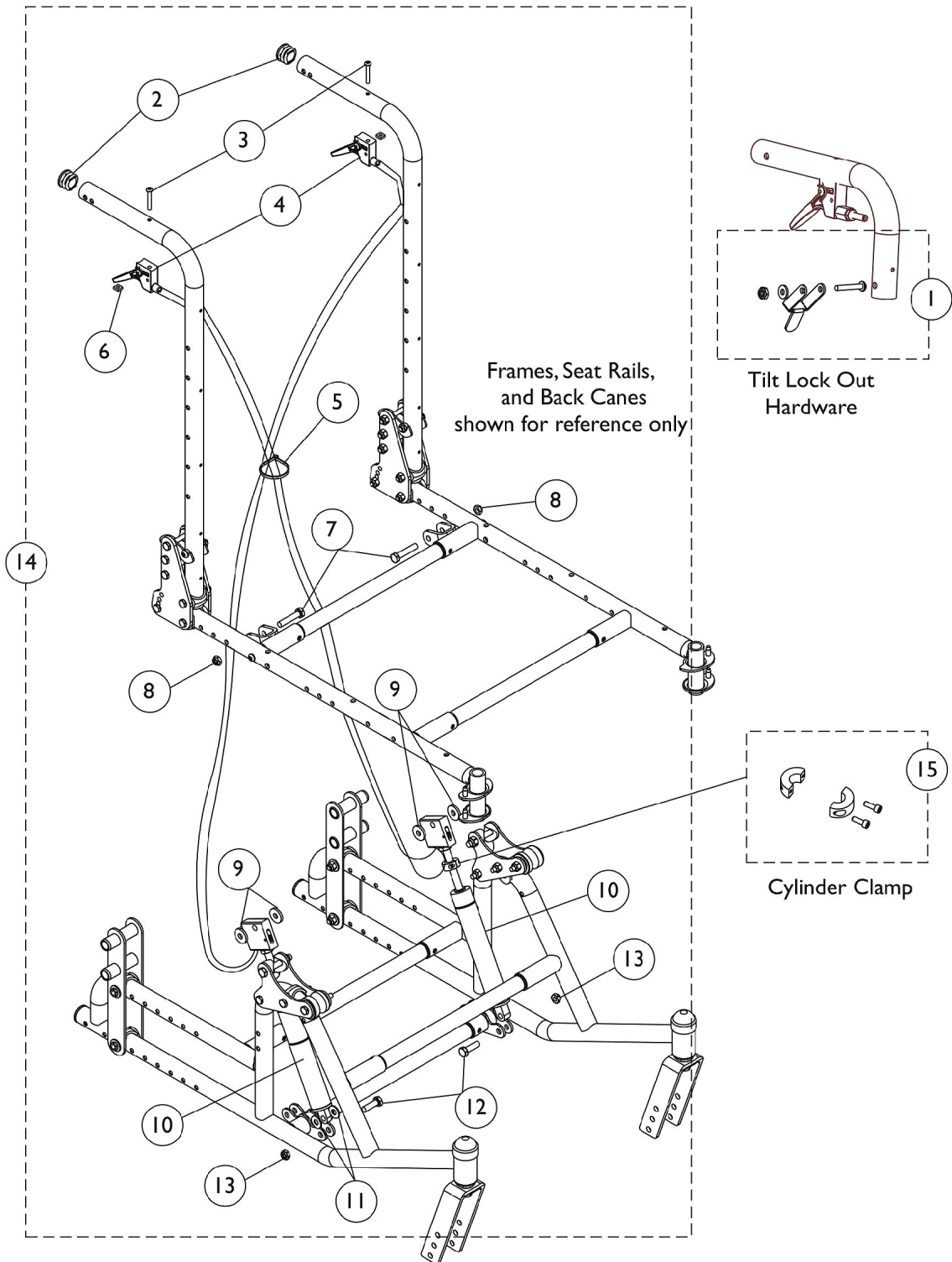
Seat Pan, Seat Rails, Shrouds, and Hanger Brackets

#2 Seat Rails

When ordering Seat Rails for chairs built Before 10/10/05 a current Arm Attaching Hardware Kit (p/n 1133485) must be ordered as well. See Arm Attaching Hardware category.

Seat Depth	Right	Left
15-18"	8881121575 See Note(s) C, B, A	8881121576 See Note(s) B, C, A
18-20"	8881121558 See Note(s) B, A	8881121559 See Note(s) B, A
20-22"	8881121577 See Note(s) B, A	8881121578 See Note(s) B, A
NOTE: A - On chairs built After 3/31/04, Seat Rails no longer require Locknut (item 7). A rivnut inserted in the rail replaced the locknut. When replacing a seat rail on chairs Before 4/1/04 also order 1 ea. p/n 1055304 (Screw). B - Specify Frame Finish when ordering C - If chair was built before 9/20/07, Seat Rails (15-18" deep) must be replaced in pairs of (Rt./Lt.).		

Tilt Hardware

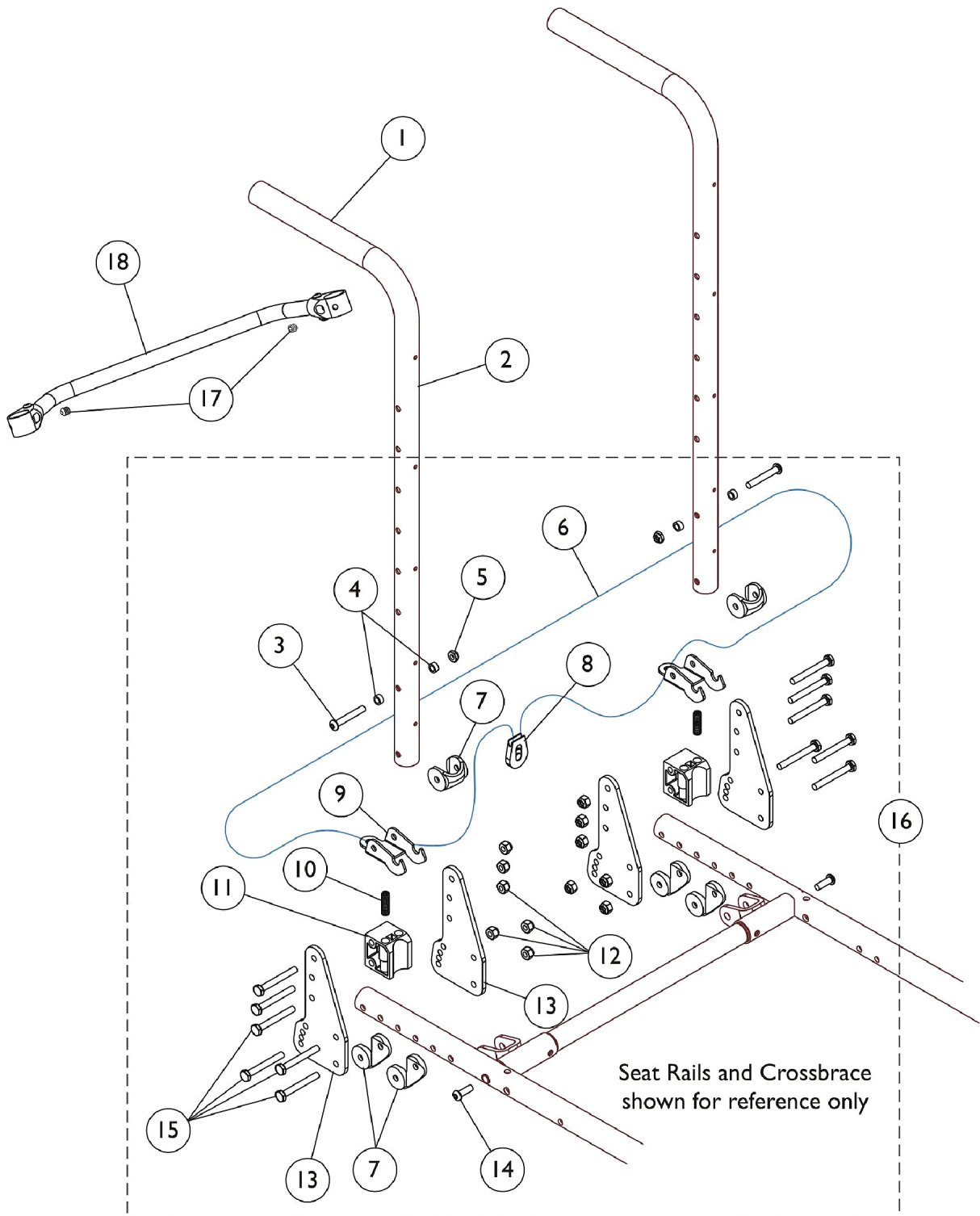


Tilt Hardware

Item Number	Note	Part Number	Description	Quantity Per	
				Package	Assembly
1		1118578	Kit, Tilt Lock Out Lever with Hardware	1	1
			NLA - Nut, Hex Lock (#6-32)	1	1
			NLA - Screw, Phillips Pan Head (#6-32 x 7/8")	1	1
			NLA - Lever, Lock Out Tilt, Silver Vein	1	1
			NLA - Washer, Flat (5/32 x 3/8 x 1/32")	1	1
2		1029501	Plug Button, Black (1")	1	2
3		1163311	Screw, Socket Button Head (10-32 x 1-1/4")	1	2
4		1078451	Release Handle Assembly w/ Cable	1	2
5		1021260	Tie Wrap (5-5/8" L)	1	1
6		1086207	Nut, Square (#10-32)	1	2
7		1028514	Screw, Hex Head (5/16-24 x 1-1/2")	1	2
8		1025730	Locknut (5/16-24)	1	2
9		1016301	Washer, Nylon (5/16 x 7/8 x 1/8")	1	4
10		1075255	Cylinder, Gas w/ Release Cable - Right	1	1
10		1075256	Cylinder, Gas w/ Release Cable - Left	1	1
11		1074133	Washer, Steel (5/16 x 3/4 x 1/16")	1	2
12		1003548	Screw, Hex Head (5/16-18 x 1")	1	2
13		1028769	Locknut (5/16-18)	1	2
14	A	1121581	Kit, Tilt Hardware	1	1
15		1073707	Clamp, Cylinder with Screws	1	2

NOTE: A - Includes items 2-13

Back Canes and Backrest Hardware



Back Canes and Backrest Hardware

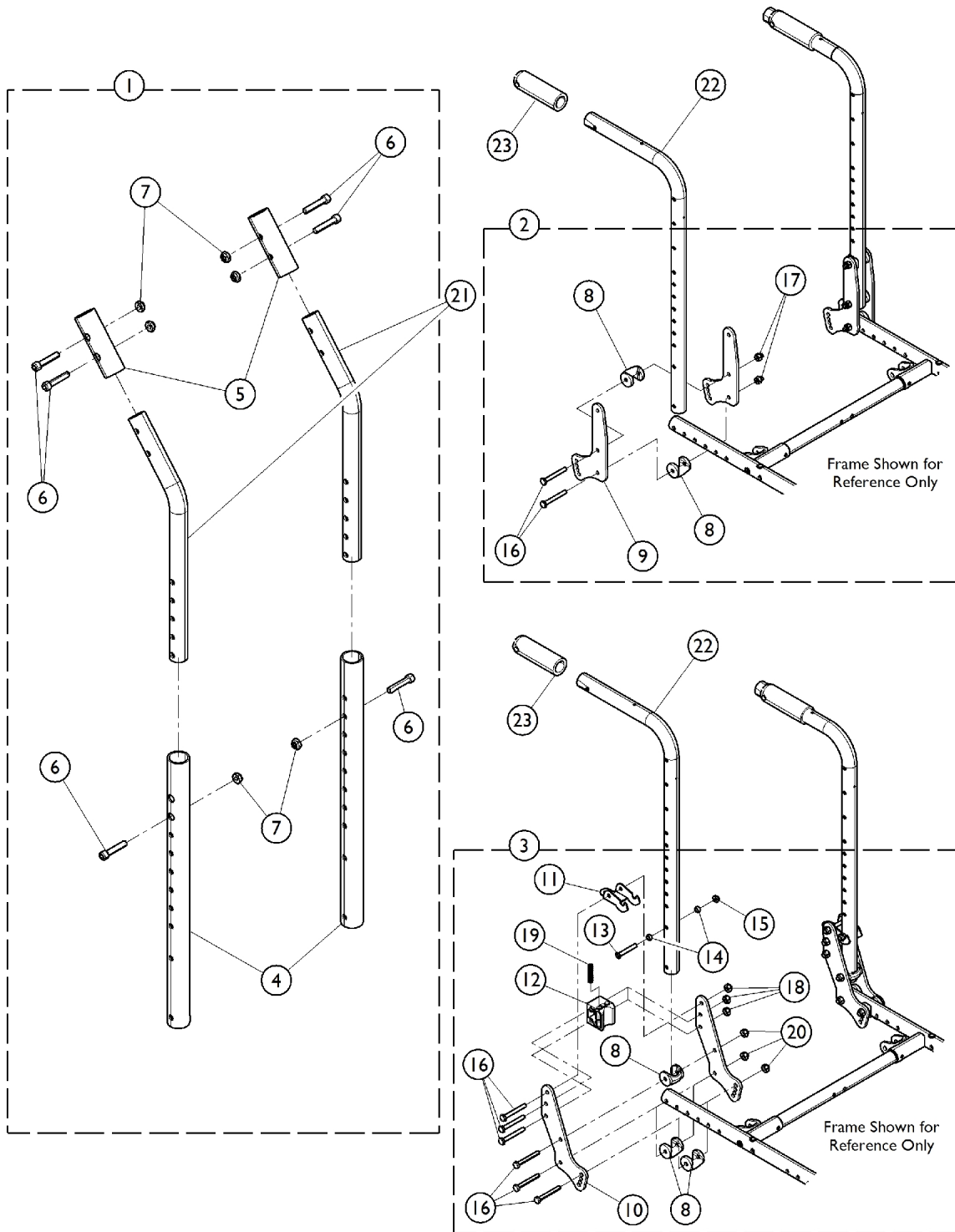
Item Number	Note	Part Number	Description	Quantity Per	
				Package	Assembly
1		1055398	Grip, Hand, Foam (4")	1	2
2		1121600	Back Cane Assembly, Black - Right/Left (20" H)	1	2
2		1121601	Back Cane Assembly, Black - Right/Left (24" H)	1	2
16	A	1044808	Kit, Backrest Hardware	1	1
3			Screw, Socket Button (1/4-20 x 3/4")	1	2
4			NLA - Spacer (1/4 x 3/8 x 3/16")	1	4
5			Locknut (1/4-20)	1	4
6			NLA - Cord (5-1/2')	1	1
7			Uni-Washer, Coved	1	6
8			Lock, Cord, Black	1	1
9			NLA - Latch, Seat, Black	1	2
10			NLA - Spring, Compression (5/16 x 1-3/8 x 1/32")	1	2
11			NLA - Block, Stop	1	2
12			Locknut (1/4-28)	1	12
13			NLA - Plate, Seat Adjustment	1	4
14			Screw, Socket Button Head (1/4-20 x 1-5/8")	1	2
15			Screw, Hex Head (1/4-28 x 2")	1	12
17		1045495-NLA	NLA - Screw, Set Socket (1/4-20 x 1/4")	1	2
18	B	See Chart	#18 Backrest Crossmember	1	1

NOTE: A - Includes items 3-15
B - See Backrest Crossmember Chart

#18 Backrest Crossmember

Chair Width	14"	15"	16"	17"	18"
	1042510	1042511	1042512	1050083	1050080
Chair Width	19"	20"	21"	22"	
	1050077	1050074	1085292-NLA	1085293-NLA	

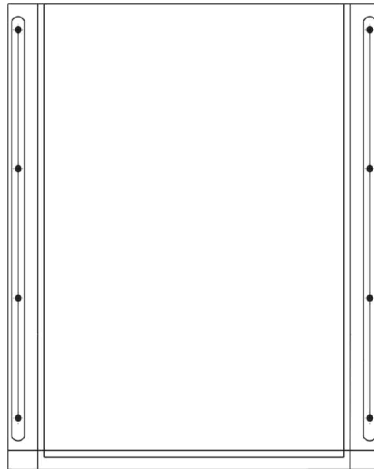
Adjustable Height Back Canes



Adjustable Height Back Canes

Item Number	Note	Part Number	Description	Quantity Per	
				Package	Assembly
1	A	1134189	Adjustable Height Cane Assembly (Pair)	1	1
4			Tube, Receiver Cane, Adjustable Height, Black	1	2
5			Tube, Adapter, Stroller Handle, Black	1	2
6			Screw, Allen Head (1/4-28 x 1-1/4")	1	6
7			Locknut (1/4-28)	1	6
2	B	1131323	Kit, Back Cane Attaching Hardware	1	1
8			Uni-Washer, Coved	1	4
9			Plate, Back	1	2
16			Screw, Hex Head (1/4-28 x 2")	1	4
17			Nut, Hex (1/4-28)	1	4
3	C	1127687-NLA	NLA - Kit, Back Cane Attaching Hardware	1	1
8			Uni-Washer, Coved	1	3
10			NLA - Plate, Back	1	2
11			NLA - Latch, Seat, Black	1	1
12			NLA - Block, Stop	1	1
13			Screw, Socket Button Head (1/4-20 x 1-5/8")	1	1
14			NLA - Spacer (1/4 x 3/8 x 3/16")	1	2
15			Locknut (1/4-20)	1	1
16			Screw, Hex Head (1/4-28 x 2")	1	6
18			Locknut (1/4-28)	1	3
19			NLA - Spring, Compression (5/16 x 1-3/8 x 1/32")	1	1
20			Nut, Hex (1/4-28)	1	3
21		1134187	Tube, Cane, Adjustable Height, Black (16 - 20")	1	2
22		1126346	Cane, Back, Black (20" H)	1	1
23		1055398	Grip, Hand, Foam (4")	1	1
<p>NOTE: A - Includes items 4 - 7. B - Includes items 8, 9, 16, and 17. Fold down style. Fold down or fixed style attaching hardware may be used. C - Includes items 8, 10 - 16, and 18 - 20. Fixed style. Fixed or fold down style attaching hardware may be used.</p>					

Back Upholstery



Back Upholstery - Nylon

Chair Width	20" Back Height	24" Back Height
14"	1104374-NLA	1104381-NLA
15"	1104375-NLA	1104382-NLA
16"	8881057251 See Note(s) A	8881057255-NLA See Note(s) A
17"	1104376-NLA	1104383
18"	8881057256-NLA See Note(s) A	8881057260-NLA See Note(s) A
19"	1104377-NLA	1104385-NLA
20"	1104378-NLA	1104386-NLA
21"	1104379-NLA	1104387-NLA
22"	1104380-NLA	1104388-NLA

NOTE: A - Specify upholstery color U240 Black when ordering.

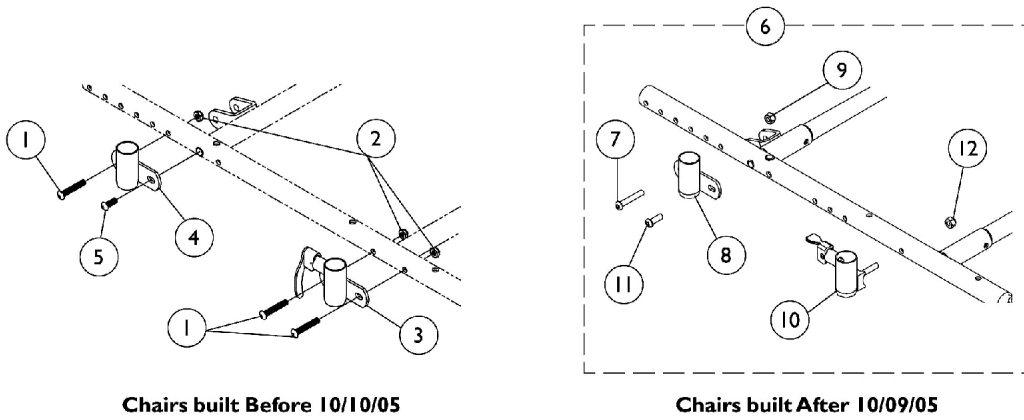
Back Upholstery

Back Upholstery Attaching Hardware

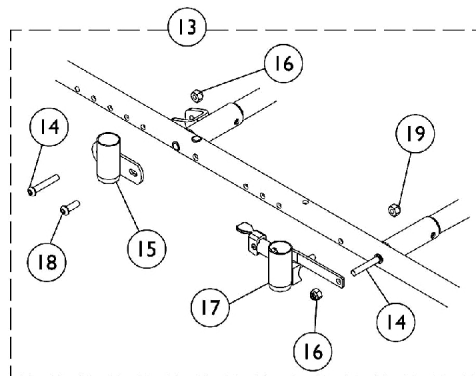
Item Number	Note	Part Number	Description	Quantity Per	
				Package	Assembly
	A	1041541	Package, Screw Phillips Csunk Oval Head w/ Washer (#10-16 x 7/8") (12 ea.)	12	1
	A	See Chart	Back Upholstery - Black Nylon	1	1

NOTE: A - Not Shown

Arm Attaching Hardware



Chairs without Hublock Wheel Locks



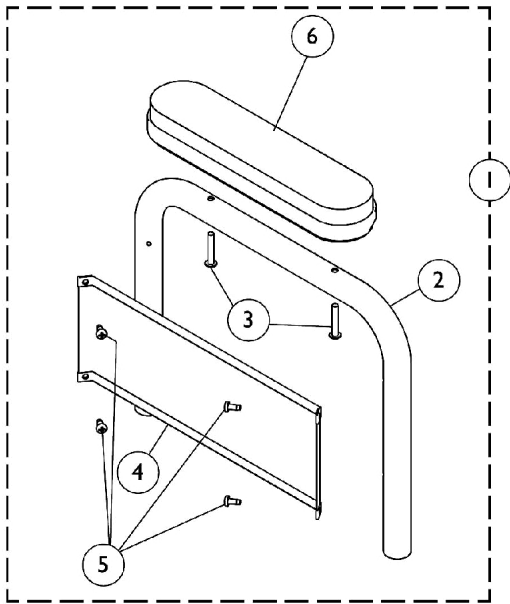
Chairs with Hublock Wheel Locks

Arm Attaching Hardware

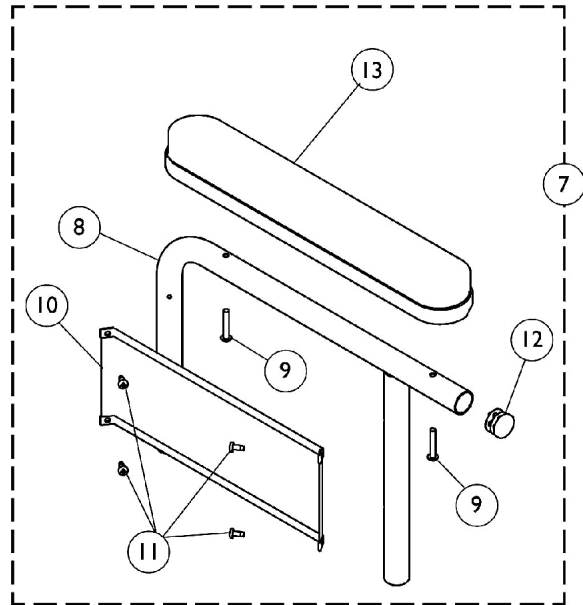
Item Number	Note	Part Number	Description	Quantity Per	
				Package	Assembly
1		1083099	Screw, Socket Button Head (1/4-28 x 1-1/2")	1	6
2		1065362	Locknut (1/4-28)	1	6
3		1048987	Socket, Arm, Front - Right	1	1
3		1048988	Socket, Arm, Front - Left	1	1
4		1048835	Socket, Arm, Rear - Right/Left	1	2
5		1009838	Screw, Socket Button (1/4-20 x 3/4")	1	2
6	A	1133485	Kit, Arm Attaching Hardware	1	1
7			Screw, Socket Button Head (1/4-28 x 1-1/2")	1	2
8			Socket, Arm, Rear - Right/Left	1	2
9			Locknut (1/4-28)	1	2
10			Arm Socket Assembly - Right	1	1
10			Arm Socket Assembly - Left	1	1
11			Screw, Socket Button (1/4-20 x 3/4")	1	2
12			Nut, Hex with Nylon Cap (1/4-20)	1	2
13	B,C	1133486	Kit, Arm Attaching Hardware w/ Hublock	1	1
14			Screw, Socket Button Head (1/4-28 x 1-1/2")	1	3
15			Socket, Arm, Rear - Right/Left	1	2
16			Locknut (1/4-28)	1	3
17			Arm Socket Assembly, Hublock - Right	1	1
17			Arm Socket Assembly - Left	1	1
18			Screw, Socket Button (1/4-20 x 3/4")	1	2
19			Nut, Hex with Nylon Cap (1/4-20)	1	2
NOTE: A - Includes items 7-12, contains enough hardware for right and left arms. B - Includes items 14-19, contains enough hardware for right and left arms. C - Right arm socket (item 17) shown. Left arm socket is physically different than the right.					

Fixed Height Arms

Desk and Full Length



Desk Length Arm with Arm Pad



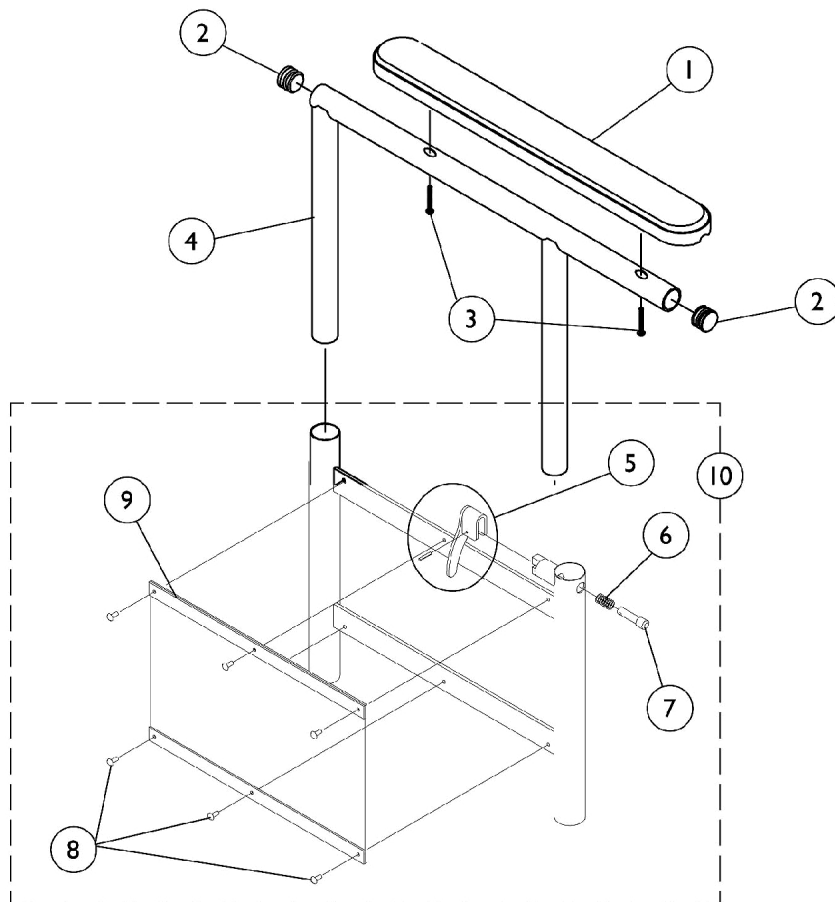
Full Length Arm with Arm Pad

Fixed Height Arms Desk and Full Length

Item Number	Note	Part Number	Description	Quantity Per	
				Package	Assembly
1	A,B	8881102858-NL A	NLA - Fixed Height Desk Length Arm Assembly - Right	1	1
2			NLA - Tube, Arm, Desk Length, Black - Right/Left	1	1
3			Package, Screw Phillips Pan Head (#10-32 x 1-1/8")	2	1
4			NLA - Guard, Clothing, Desk Length	1	1
5			Screw, Phillips Pan Head Tap (#8-32 x 3/8")	1	4
6			Pad, Arm, Desk Length	1	1
6	A	8881053578	Kit, Arm Pad w/ Screws, Desk Length (9" L x 2" W) (Pair)	2	1
1	A,B	8881102859-NL A	NLA - Fixed Height Desk Length Arm Assembly - Left	1	1
2			NLA - Tube, Arm, Desk Length, Black - Right/Left	1	1
3			Package, Screw Phillips Pan Head (#10-32 x 1-1/8")	2	1
4			NLA - Guard, Clothing, Desk Length	1	1
5			Screw, Phillips Pan Head Tap (#8-32 x 3/8")	1	4
6			NLA - Arm Pad, Desk Length w/ Law Label	1	1
6	A	8881053578	Kit, Arm Pad w/ Screws, Desk Length (9" L x 2" W) (Pair)	2	1
7	A,C	8881102864-NL A	NLA - Fixed Height Full Length Arm Assembly - Right	1	1
8			NLA - Arm Base, Full Length, Black - Right	1	1
9			Screw, Phillips Pan Head (#10-32 x 1-1/8")	1	2
10			NLA - Guard, Clothing, Desk Length	1	1
11			Screw, Phillips Pan Head Tap (#8-32 x 3/8")	1	4
12			Plug Button, Black (7/8")	1	1
13			NLA - Pad, Arm, Full Length	1	1
13	A	8881053577	Kit, Arm Pad w/ Screws, Full Length (14" L x 2" W) (Pair)	2	1
7	A,C	8881102865-NL A	NLA - Fixed Height Full Length Arm Assembly - Left	1	1
8			NLA - Arm Base, Full Length, Black - Left	1	1
9			Screw, Phillips Pan Head (#10-32 x 1-1/8")	1	2
10			NLA - Guard, Clothing, Desk Length	1	1
11			Screw, Phillips Pan Head Tap (#8-32 x 3/8")	1	4
12			Plug Button, Black (7/8")	1	1
13			NLA - Pad, Arm, Full Length w/ Law Label	1	1
13	A	8881053577	Kit, Arm Pad w/ Screws, Full Length (14" L x 2" W) (Pair)	2	1

NOTE: A - Specify upholstery color U67 Black when ordering
B - Includes items 2-6
C - Includes items 8-13

Adjustable Height Arms

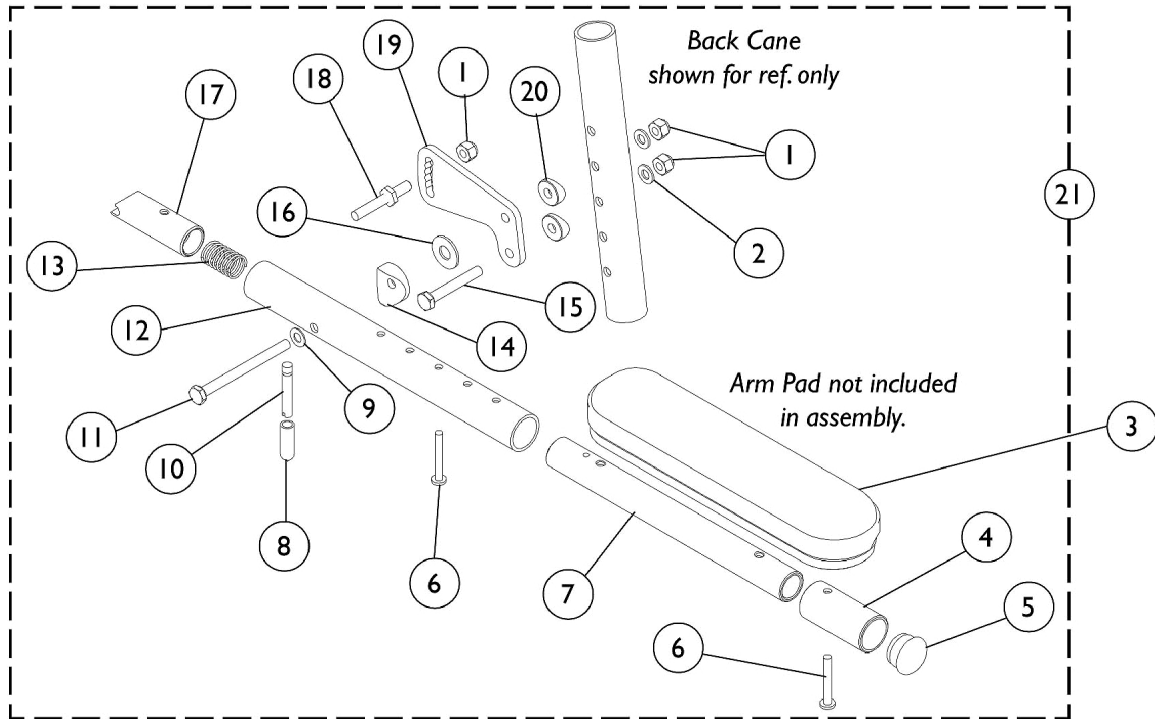


Adjustable Height Arms

Item Number	Note	Part Number	Description	Quantity Per	
				Package	Assembly
1	A	8881053578	Kit, Arm Pad w/ Screws, Desk Length (9" L x 2" W) (Pair)	2	1
1	A	8881053577	Kit, Arm Pad w/ Screws, Full Length (14" L x 2" W) (Pair)	2	1
2		1027095	Plug Button, Black (7/8")	1	2
3		1025714	Screw, Phillips Pan Head (#10-32 x 1-1/8")	1	2
4		1070859	Arm Tube Assembly w/ Plug Buttons, Desk Length, Black - Right/Left	1	1
4		1041522	Arm Tube Assembly w/ Plug Buttons, Full Length, Black - Right/Left	1	1
10	B	1035892	Adjustable Height Arm Base Assembly - Right	1	1
			Base, Armrest, Adjustable Height	1	1
5			Kit, Lock Handle w/Rivets (Pair)	1	1
6			Spring, Arm Lock	1	1
7			Pin, Arm Lock, Black	1	1
8			Rivet	1	6
9			NLA - Guard, Clothing	1	1
10	B	1035893	Adjustable Height Arm Base Assembly - Left	1	1
			Base, Armrest, Adjustable Height	1	1
5			Kit, Lock Handle w/Rivets (Pair)	1	1
6			Spring, Arm Lock	1	1
7			Pin, Arm Lock, Black	1	1
8			Rivet	1	6
9			NLA - Guard, Clothing	1	1
NOTE: A - Specify upholstery color U67 Black when ordering B - Includes Arm Base plus items 5-9					

Cantilever Arms - Bolt On (AT55D & AT55F)

Compass Limited chairs only



Bolt On Cantilever Arm without Arm Pads

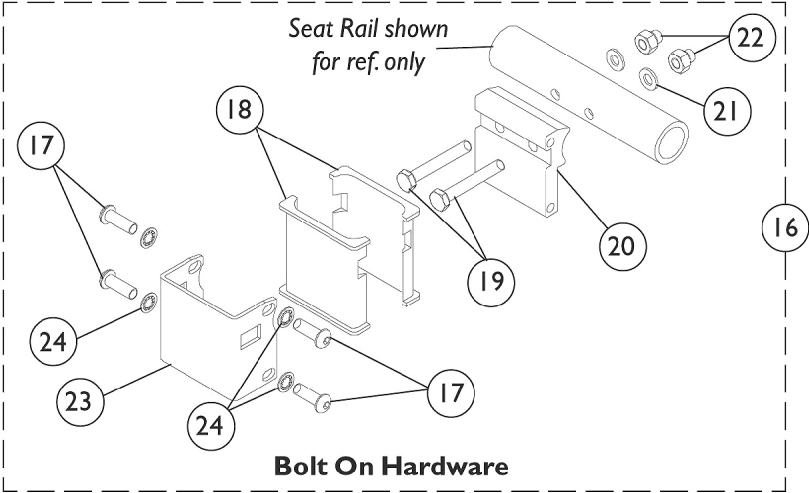
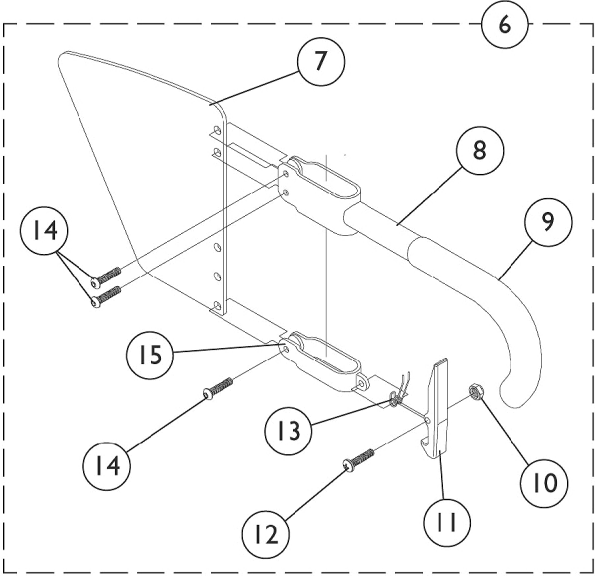
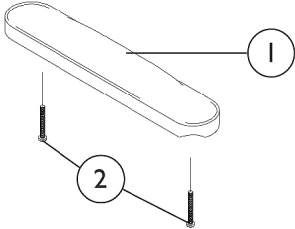
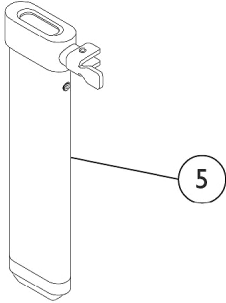
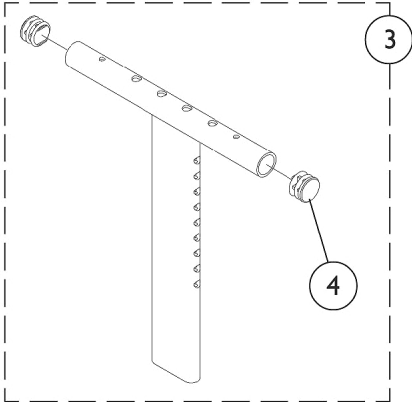
Cantilever Arms - Bolt On (AT55D & AT55F)

Compass Limited chairs only

Item Number	Note	Part Number	Description	Quantity Per	
				Package	Assembly
1		1065362	Locknut (1/4-28)	1	3
2		1026907	Washer (1/4 x 1/2 x 1/16")	1	2
3	A	8881053578	Kit, Arm Pad w/ Screws, Desk Length (9" L x 2" W) (Pair)	2	1
3	A	8881053577	Kit, Arm Pad w/ Screws, Full Length (14" L x 2" W) (Pair)	2	1
4		1042598	Tube, Arm, Extension, Black	1	1
5		1056328	Plug Button, Black (1")	1	1
6		1026107	Screw, Phillips Pan Head (#10-32 x 1-3/8")	1	2
7		1068600	Tube, Slide, Cantilever Arm, Black	1	1
8		1059271	Tip, Plastic, Black	1	1
9		1026103	Washer, Nylon (1/4 x 1/2 x 1/32")	1	1
10		1058545	Lever, Actuator	1	1
11		1059374	Screw, Hex Head (1/4-28 x 3")	1	1
12		1068588	Tube, Arm, Black	1	1
13		1011511	Spring, Compression (5/8 x 1 x 3/64")	1	1
14		40157X020	Spacer, Coved (1/4 x 1 x 9/16")	1	1
15		1055348	Screw, Hex Head (1/4-28 x 1-3/4")	1	1
16		1012371	Washer, Nylon (3/8 x 7/8 x 1/16")	1	1
17		1058232	Plug, Latch	1	1
18		1058231-NLA	NLA - Pin, Locking	1	1
19		1058542	Bracket, Armrest Mounting, Black	1	1
20		1026099	Spacer, Coved (1/4 x 11/16 x 1/2")	1	2
21	B,C	1068654	Kit, Cantilever Arm, Bolt On - Right	1	1
21	B,C	1068655	Kit, Cantilever Arm, Bolt On - Left	1	1

NOTE: A - Specify upholstery color U67 Black when ordering.
B - Arms do not include Arm Pads, they must be ordered separately.
C - Includes items 1,2,4-20

"T" Arms and Hardware



"T" Arms and Hardware

Item Number	Note	Part Number	Description	Quantity Per	
				Package	Assembly
1	A	8881053570	Kit, Arm Pad w/ Screws, Desk Length (Pair)	2	1
1	A	8881053571	Kit, Arm Pad w/ Screws, Full Length (Pair)	2	1
2		1055949	Package, Screw, Phillips Pan Head (#10-32 x 1-3/8")	2	1
3		1069639	T-Arm Assembly w/ Plug Buttons, Desk Length, Low Range, Black	1	1
3		1069641	T-Arm Assembly w/ Plug Buttons, Desk Length, High Range, Black	1	1
3		1069643	T-Arm Assembly w/ Plug Buttons, Full Length, Low Range, Black	1	1
3		1069645	T-Arm Assembly w/ Plug Buttons, Full Length, High Range, Black	1	1
4		1027095	Plug Button, Black (7/8")	1	2
5		1069635	Post, Arm, Low Range	1	1
5		1069637	Post, Arm, High Range	1	1
6	B	1073424	Kit, Clothing Guard, Low Range - Right	1	1
6	B	1073425	Kit, Clothing Guard, Low Range - Left	1	1
6	B	1073422	Kit, Clothing Guard, High Range - Right	1	1
6	B	1073423	Kit, Clothing Guard, High Range - Left	1	1
7		1069652-NLA	NLA - Guard, Clothing, Low Range	1	1
7		1069651-NLA	NLA - Guard, Clothing, High Range	1	1
8		1069634	Tube, Support, Low Range, Black - Right	1	1
8		1073247-NLA	NLA - Tube, Support, Low Range, Black - Left	1	1
8		1069650-NLA	NLA - Tube, Support, High Range, Black - Right	1	1
8		1073246	Tube, Support, High Range, Black - Left	1	1
9		1028427	Grip, Foam	1	1
10		1025731	Locknut (#10-32)	1	1
11		1076839-NLA	NLA - Lever, Locking	1	1
12		1025716	Screw, Phillips Pan Head (#10-32 x 11/16")	1	1
13		1073196-NLA	NLA - Spring, Torsion	1	1
14		1006773-NLA	NLA - Screw, Socket Button Head (1/4-20 x 1/2")	1	3
15		1075069-NLA	NLA - Clamp, Clothing Guard - Right	1	1
15		1075070-NLA	NLA - Clamp, Clothing Guard - Left	1	1
16	C	1069632	Arm Socket Assembly, Bolt On	1	1
17		1055305-NLA	NLA - Screw, Socket Button Head (1/4-28 x 3/4")	1	4
18		1069609	Insert, Arm Socket, Black	1	2
19		1055348	Screw, Hex Head (1/4-28 x 1-3/4")	1	2
20		1069629-NLA	NLA - Bracket, T-Arm Socket, Threaded, Black	1	1
21		1026907	Washer (1/4 x 1/2 x 1/16")	1	2
22		1085111	Nut, Hex (1/4-28)	1	3
23		1069620-NLA	NLA - Bracket, Socket, Black	1	1
24		1026108	Lockwasher (1/4 x 15/32 x 1/64")	1	4
	D	See Chart	"T" Arm Kits	1	1

"T" Arms and Hardware

NOTE: A - Specify upholstery color U67 Black when ordering.
B - Includes items 7-15
C - Includes items 17-24
D - Includes items 1-3, 5-6 and 16.

SARMHT - High Range Arm Adjustment is 9" - 17".

SARMHT - Low Range Arm Adjustment is 6-1/2" - 12-1/2"

"T" Arms and Hardware

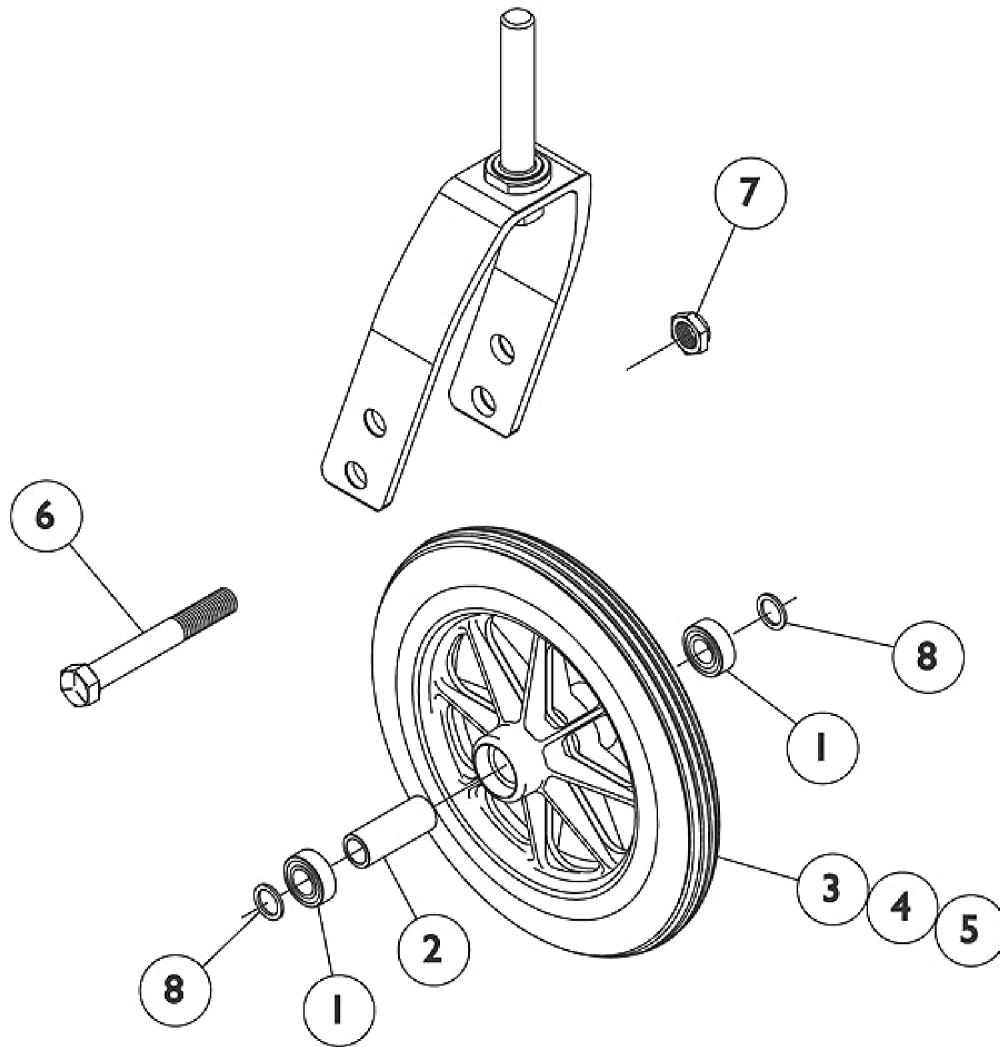
"T" Arm Kits

Kits Include Items 1-3,5-6, & 16

Part Number	Arm Style
1111709	Desk Length, Low Range (1 Pair)
1111710	Desk Length, High Range (1 Pair)
1111711	Full Length, Low Range (1 Pair)
1111712	Full Length, High Range (1 Pair)

Specify U67 upholstery color when ordering.

Caster and Mounting Hardware (Before 7/1/11)



Caster and Mounting Hardware (Before 7/1/11)

#1 - 5 Casters w/ Mounting Hardware (Before 7/1/11)

Wheel Style	Wheel Size	Tire Type	Item 1 Bearing	Item 2 Bearing Spacer	Item 3 Wheel w/ Bearings	Item 4 Tire	Item 5 Tube/Insert
AT902	6 x 1"	Urethane	N/A	N/A	1029500	N/A	N/A
1259	6 x 2"	Semi-Pneu. Urethane	1006049	1020592	1115179	N/A	N/A
1299	8 x 1"	Solid Rubber	1006049	1018982	1058137	1040144	N/A
AT903	8 x 1-1/4"	Urethane	1040102	1037911	1058649	1038157	N/A
1292	8 x 1-1/4"	Pneumatic	1006049	1020592	1009481	40176X040	40176X041
1492	8 x 1-1/4"	Pneumatic w/ Flat Free	1006049	1020592	1030773	40176X040	1010904-NLA
1228	8 x 1-3/4"	Semi-Pneumatic	1006049	1020592	1070811	N/A	N/A

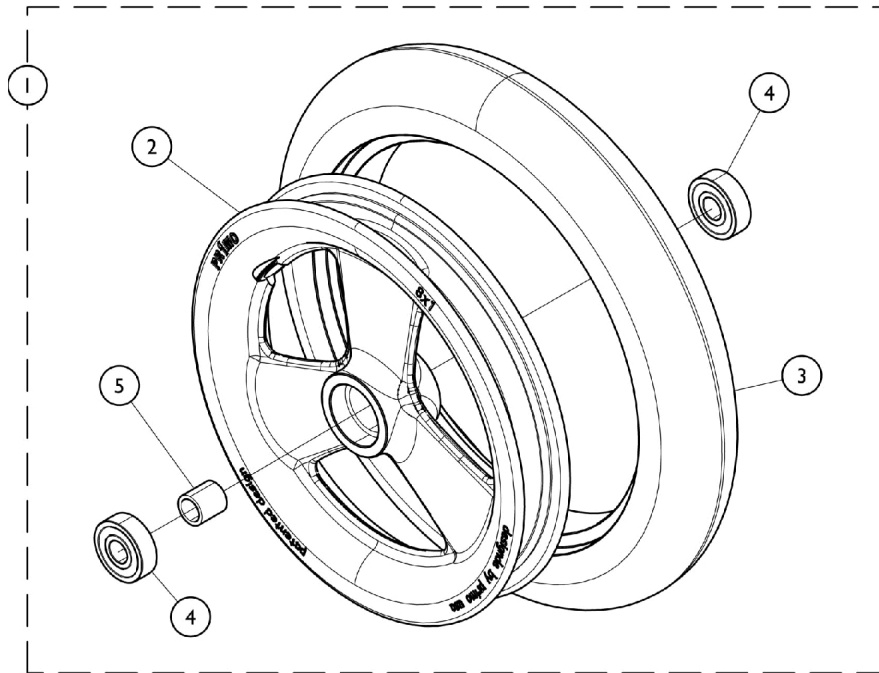
#6 - 8 Caster Mounting Hardware (Before 7/1/11)

Wheel Style	Wheel Size	Tire Type	Item 6 Axle	Item 7 Locknut	Item 8 Washer
AT902	6 x 1"	Urethane	1026908	1025730	1026160
1259	6 x 2"	Semi-Pneu.	1025726	1025734	1025724
1299	8 x 1"	Solid Rubber	1025726	1025734	1026101
AT903	8 x 1-1/4"	Urethane	57667P007	20225X000	N/A
1292	8 x 1-1/4"	Pneumatic	1025726	1025734	1025724
1492	8 x 1-1/4"	Pneumatic w/ Flat Free	1025726	1025734	1025724
1228	8 x 1-3/4"	Semi-Pneumatic	1025726	1025734	1025724

Caster Wheels (After 6/29/11)

Standard Caster Components

(Some Components may not be available as Stand Alone Service Parts)

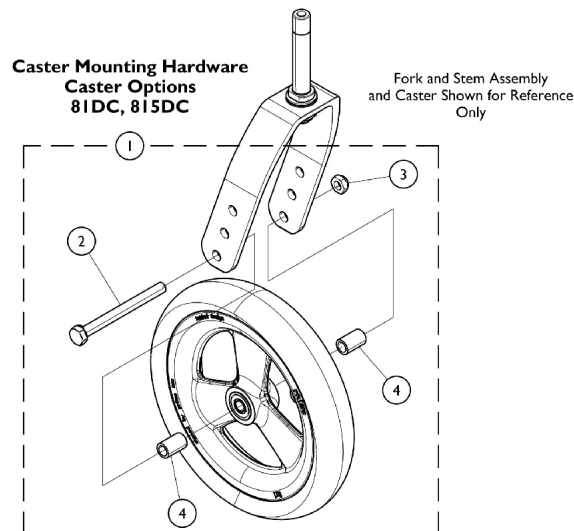
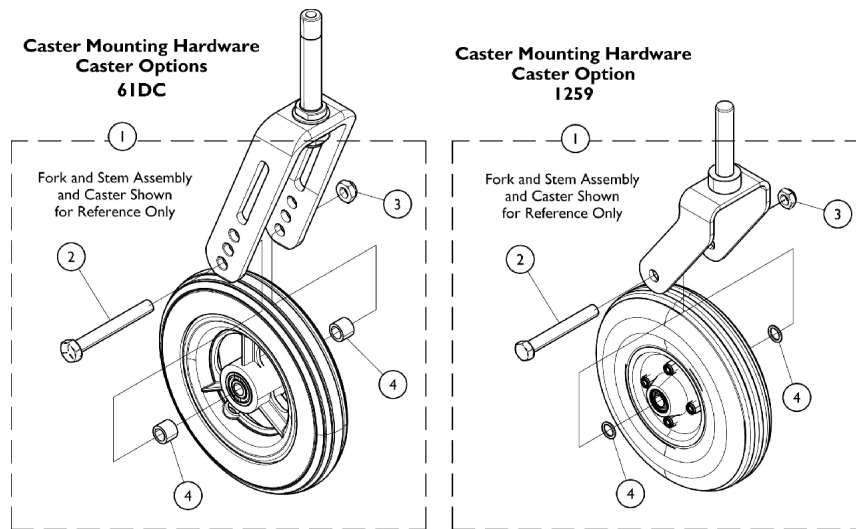


Caster Wheels

Caster Model	Wheel Size	Tire Type	Item 1 Caster Wheel Assembly	Item 2 Wheel	Item 3 Tire	Item 4 Bearings	Item 5 Bearing Spacer
51DC	5"	Urethane	1169260	N/A	N/A	N/A	N/A
61DC	6"	Urethane	1164314	N/A	N/A	N/A	N/A
1259	6 x 2"	Semi- Pneumatic Urethane	1072014	N/A	N/A	1006049	1020592
81DC	8 x 1"	Urethane	1164315	N/A	N/A	N/A	N/A
815DC	8 x 1-1/2"	Urethane	1164316	N/A	N/A	N/A	N/A

NOTE: Caster Assembly includes Tire, Wheel, Bearings, and Bearing Spacer

Caster Mounting Hardware (After 6/29/11)



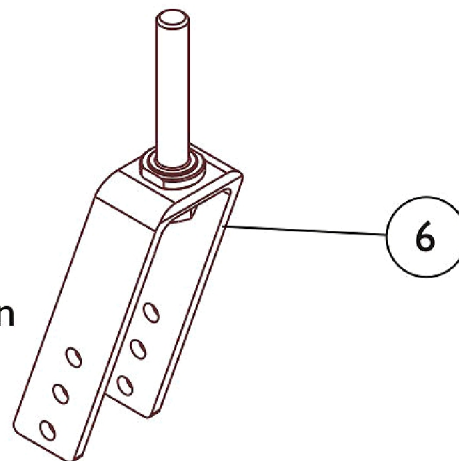
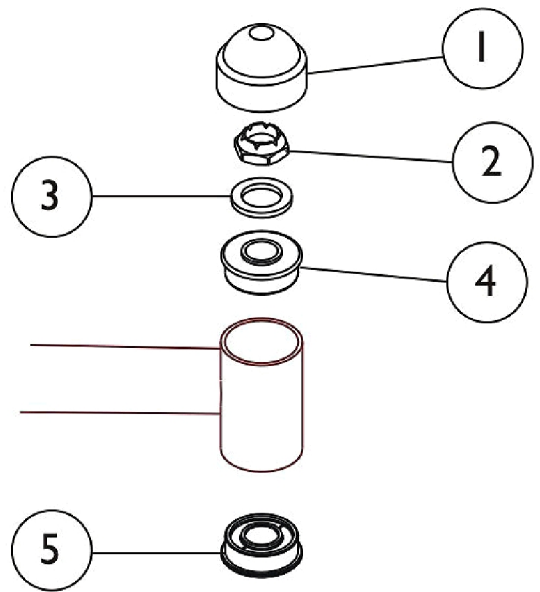
Caster Mounting Hardware (After 6/29/11)

Wheel Style	Wheel Size	Tire Type	Item 1 Caster Hardware	Item 2 Axle	Item 3 Locknut	Item 4 Axle Bearing
61DC	6 x 1"	Urethane	1026926-NLA	1026908	1025730	1026160
1259	6 x 2"	Semi-Pneu.	1042489 See Note(s) A	1025726	1025734	1025724
81DC	8 x 1"	Urethane	1161851-NLA	N/A	N/A	N/A
815DC	8 x 1-1/2"	Urethane	1161851-NLA	N/A	N/A	N/A

NOTE: A - Caster Hardware #1042489 accommodates 1 side only.

NOTE: Item 1 Caster Hardware includes Axle, Locknut, and Axle Bearings.

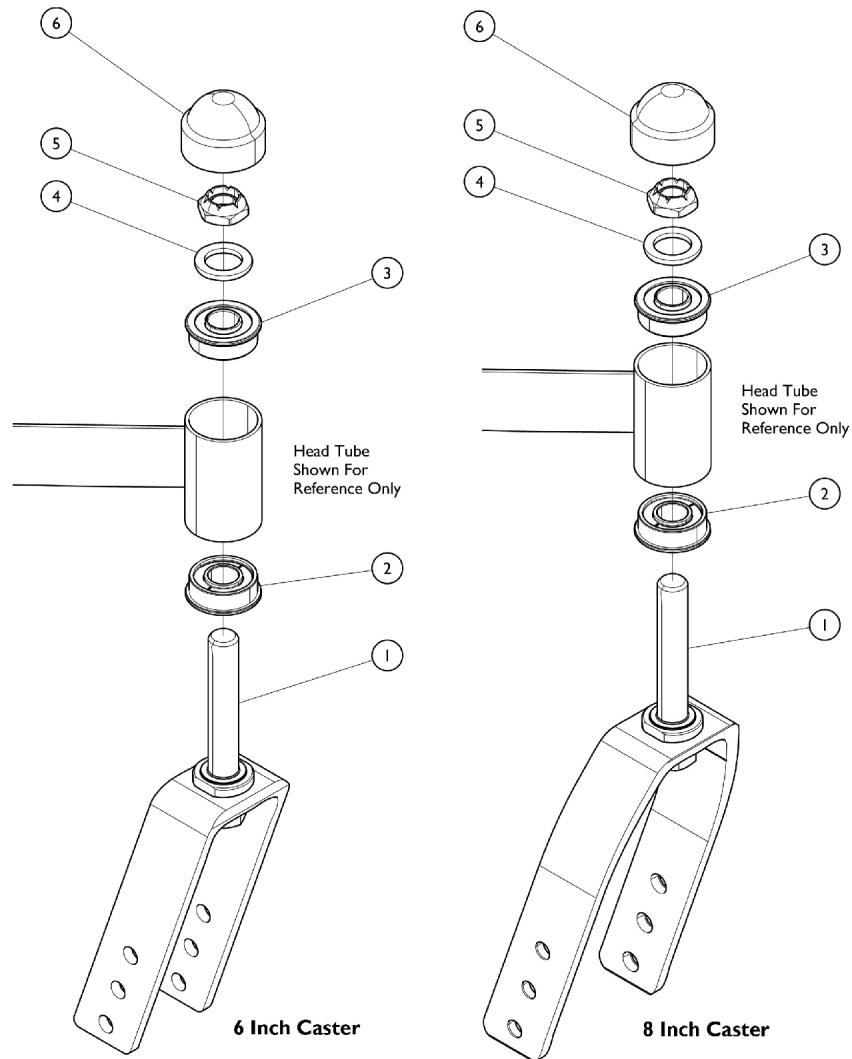
Caster Forks & Hardware (Before 7/1/11)



6" Caster Fork shown

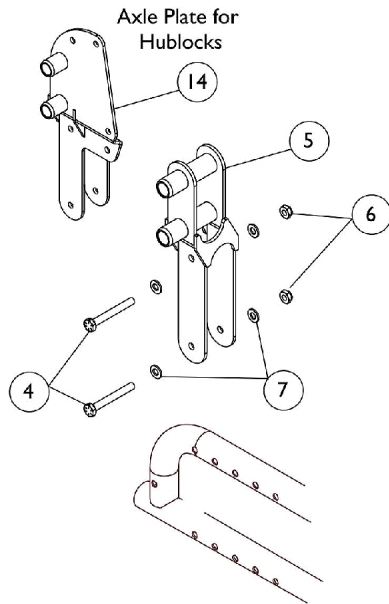
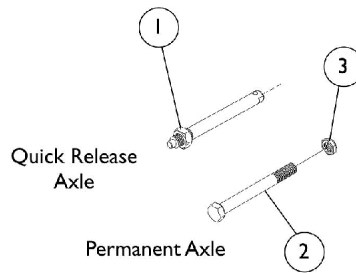
Item Number	Note	Part Number	Description	Quantity Per	
				Package	Assembly
1		1001843	Cap, Head Tube, Black	1	1
1		1131189	Package, Head Tube Cap	10	1
2		1001979	Locknut (1/2-20)	1	1
3		1021508	Washer, Nylon (5/8 x 1 x 3/32")	1	1
4		1001801	Bearing, Flange (1/2")	1	1
5		1085298	Bearing (1-1/4" O.D. x 1/2" I.D.)	1	1
6		1037420	Fork and Stem Assembly, Black (6 x 1" Caster)	1	1
6		1056640	Fork and Stem Assembly, Black (8" & 6 x 2" Caster)	1	1

Caster Forks and Hardware (After 6/29/11)

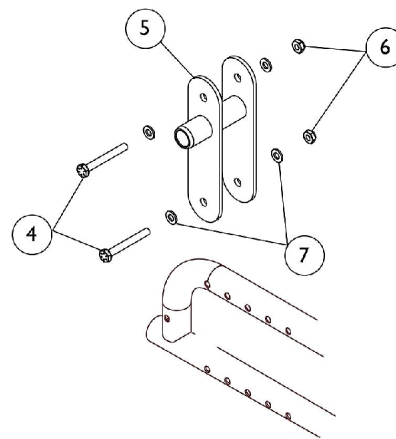


Item Number	Note	Part Number	Description	Quantity Per	
				Package	Assembly
1		1037420	Fork and Stem Assembly, Black (6 x 1" Caster)	1	1
1		1056640	Fork and Stem Assembly, Black (8" & 6 x 2" Caster)	1	1
1		1174562-NLA	NLA - Fork and Stem Assembly, Black (8" Caster)	1	1
2		1085298	Bearing (1-1/4" O.D. x 1/2" I.D.)	1	1
3		1001801	Bearing, Flange (1/2")	1	1
4		1021508	Washer, Nylon (5/8 x 1 x 3/32")	1	1
5		1001979	Locknut (1/2-20)	1	1
6		1001843	Cap, Head Tube, Black	1	1
6		1131189	Package, Head Tube Cap	10	1

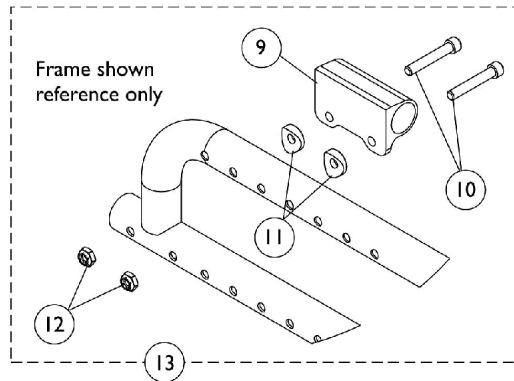
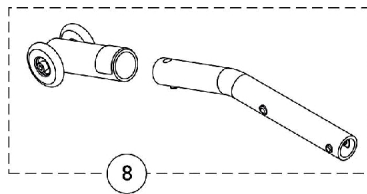
Axles, Axle Hardware, and Anti-Tippers



Chairs with 20", 22", or 24" Wheels



Chairs with 12" Wheels



Axles, Axle Hardware, and Anti-Tippers

Item Number	Note	Part Number	Description	Quantity Per	
				Package	Assembly
1		1040361	Axle, Quick Release w/ Locknut (1/2" x 5")	1	1
2		1049227	Screw, Hex Head (1/2-20 x 5-1/4")	1	1
3		1025737	Locknut (1/2-20)	1	1
4		1114099	NLA - Screw, Hex Head (1/4-28 x 2")	1	2
5	D,E	1121625	Plate, Rear Axle (Offset)	1	1
5	F	1124538	Plate, Rear Axle	1	1
6		1025765	Locknut (1/4-28)	1	2
7		1026907	Washer (1/4 x 1/2 x 1/16")	1	4
8	A,H	1058884	Anti-Tipper, Rear	1	1
8	B,H	1050641	Anti-Tipper (Pair)	2	1
9		1112075-NLA	NLA - Bracket, Anti-Tipper, Black	1	1
10		1059251-NLA	NLA - Screw, Socket Head (1/4-28 x 1-1/2")	1	2
11		1026099	Spacer, Coved (1/4 x 11/16 x 1/2")	1	2
12		1025765	Locknut (1/4-28)	1	2
13	C	1121599	Hardware, Anti-Tip Mounting	1	1
14	G	1132383	Plate, Rear Axle Hublock - Right	1	1
14	G	1132384	Plate, Rear Axle Hublock - Left	1	1

NOTE: A - Use with 12", 20", & 22" Wheels
 B - Use with 24" Wheels
 C - Includes items 9-12
 D - Use with 20", 22", & 24" Wheels (SPT chairs)
 E - Due to design change, Offset Rear Axle Plate (1121625) must be replaced in pairs on chairs built Before 2/1/04. Previous Axle Plate is NLA.
 F - Use with 12" Wheels only (Limited chairs)
 G - Use with 20", 22", or 24" Wheels on chairs with Hublock Wheel Locks.
 H - These would be considered "Front Anti-Tippers" when a wheelchair is in the Front Wheel Drive (FWDS) configuration.

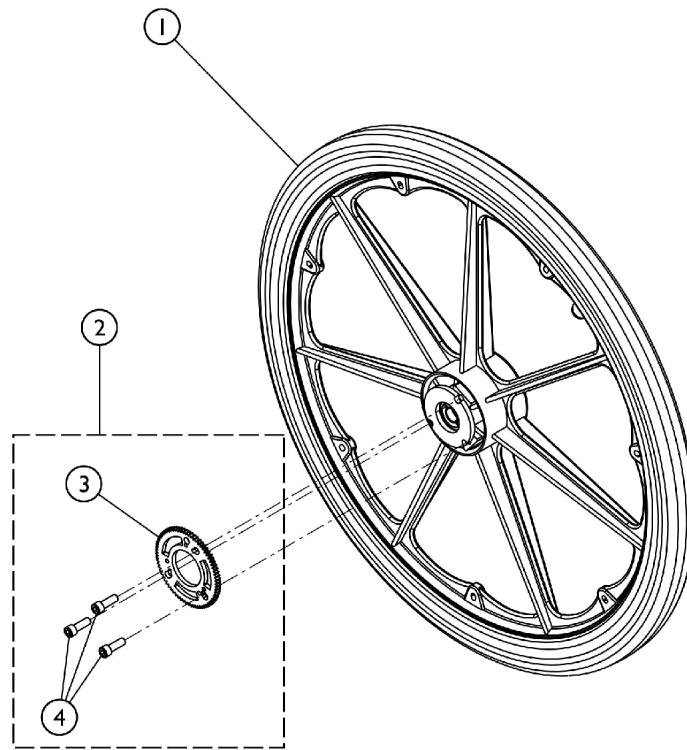
Rear Wheels - w/o Hublocks, w/o Handrims

Rear Wheels w/o Hublocks, w/o Handrims

Wheel Style	Wheel Size	Tire Type	Wheel w/o Hdrm.	Tire	Tube/ Insert	Bearing	Hub Spacer
12COM	12 x 2-1/4"	Pneumatic	1129498	1011524	1011525	40117X022	N/A
12COM	12 x 2-1/4"	Pneumatic w/ Flat Free	1129499	1011524	1027176	40117X022	N/A
20COM	20 x 1-1/4"	Urethane	1038364	1037774	N/A	40117X022	1015756
20COM	20 x 1-3/8"	Pneumatic	1026422	1017519	1017520	40117X022	1015756
20COM	20 x 1-3/8"	Pneumatic w/ Flat Free	1026423	1017519	1023322	40117X022	1015756
22COM	22 x 1-1/4"	Urethane	1032116	1028250	N/A	40117X022	1015756
22COM	22 x 1-3/8"	Pneumatic	1026420	1018544	1018545	40117X022	1015756
22COM	22 x 1-3/8"	Pneumatic w/ Flat Free	1026421	1018544	1023323	40117X022	1015756
24COM7	24 x 1-1/4"	Urethane	1032118	1026904	N/A	40117X022	1015756
24COM7	24 x 1-3/8"	Pneumatic	1026362-NLA	40176X060	40176X061	40117X022	1015756
24COM7	24 x 1-3/8"	Pneumatic w/ Flat Free	1026363	40176X060	1010906	40117X022	1015756
24COM7	24 x 1"	KIK	1091330	1062852	N/A	40117X022	1015756

Composite Wheels - Rear w/ Hublocks, w/o Handrim

Wheel with Hub Components, Tire, Bearing
and Insert Pre-Assembled
(Hub Components Not Sold Separately)



20"
Rear Wheels

22"
Rear Wheels

24"
Rear Wheels

SCM_081A

Item Number	Note	Part Number	Description	Quantity Per	
				Package	Assembly
1		See Chart	#1 Rear Wheels with Hublocks	1	1
2	A	1164035	Kit, Hublock Hardware, Wheel (20" - 24")	1	1
3			Ring, Gear, Hublock	1	1
4			Screw, Button Head Cap w/ Patch (#10-24 x 1/2)	1	3

NOTE: A - Includes items 3 and 4.

Composite Wheels - Rear w/ Hublocks, w/o Handrim

#1 Rear Wheels with Hublocks

Wheel Style	Wheel Size	Tire Type	Wheel w/o Hdrm.	Tire	Tube/ Insert	Bearing
20COM	20 x 1-3/8"	Pneumatic	1164064 See Note(s) A	1017519	1017520	40117X022
20COM	20 x 1-3/8"	Pneumatic w/ Flat Free	1164065 See Note(s) A	1017519	1023322	40117X022
20COM	20 x 1-1/4"	Urethane	1164066 See Note(s) A	1037774	N/A	40117X022
22COM	22 x 1-3/8"	Pneumatic	1164067 See Note(s) A	1018544	1018545	40117X022
22COM	22 x 1-3/8"	Pneumatic w/ Flat Free	1164068 See Note(s) A	1018544	1023323	40117X022
22COM	22 x 1-1/4"	Urethane	1164069 See Note(s) A	1028250	N/A	40117X022
24COM7	24 x 1-3/8"	Pneumatic	1164070 See Note(s) A	40176X060	40176X061	40117X022
24COM7	24 x 1-3/8"	Pneumatic w/ Flat Free	1164071 See Note(s) A	40176X060	1010906	40117X022
24COM7	24 x 1-1/4"	Urethane	1164072 See Note(s) A	1026904	N/A	40117X022
24COM7	24 x 1"	KIK	1164073 See Note(s) A	1062852	N/A	40117X022

NOTE: A - Wheels come assembled with Hub Assembly, Retaining Nut, and Bearing.

Handrims and Handrim Hardware

For Natural Fit Handrims please refer to that particular category.

Non Projection Handrims

Wheel Style	Anodized Aluminum	Chrome	Black Plastic Coated
20COM	1033374	1019999	1115400
22COM	1033373	1020000	1115401
24COM7	1033372	1019836	1115397

Projection Handrims

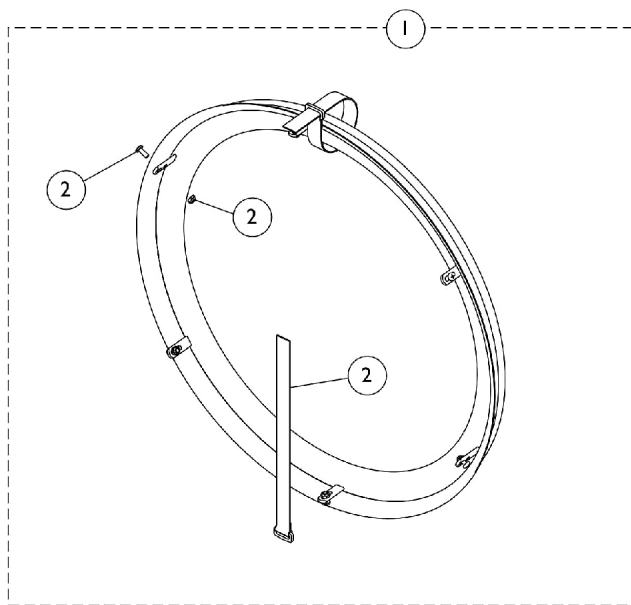
Wheel Style	8 Vertical Projections (Black)	8 Oblique Projections (Black)	12 Vertical Projections (Black)
20COM	N/A	N/A	N/A
22COM	N/A	N/A	N/A
24COM7	1115394	1115396	1115395

Handrim Hardware

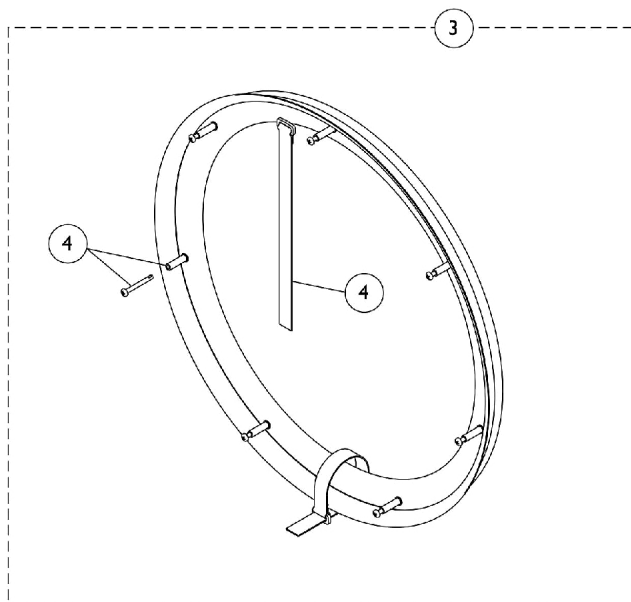
(Hardware Kits to Attach a Single Handrim Only)

Wheel Style	Anodized Aluminum	Chrome	Black Plastic Coated	8 Vertical Projections	8 Oblique Projections	12 Vertical Projections
20COM	1025153	1025153	1025158	N/A	N/A	N/A
22COM	1026384	1025153	1025158	N/A	N/A	N/A
24COM7	1025153	1025153	1026383	1026380	1026381	1026382

Handrims and Handrim Hardware - Natural Fit



6 Point Attaching Wheels (Spoke Wheels)



7 Point Attaching Wheels (Composite Wheels)

Handrims and Handrim Hardware - Natural Fit

Item Number	Note	Part Number	Description	Quantity Per	
				Package	Assembly
1		See Chart	#1 Natural Fit Handrims - 6 Point Attaching Wheels (Spoke Wheels)	1	1
2	A	1145679	Kit, Handrim Attaching Hardware - 6 Point	1	1
			Screw, Phillips Pan Head (#10-32 x 1/2")	1	6
			Locknut (#10-32)	1	6
			NLA - Strap, Securing	1	2
3		See Chart	#3 Natural Fit Handrims - 7 Point Attaching Wheels (Composite Wheels)	1	1
4	B	1145680-NLA	Kit, Handrim Attaching Hardware - 7 Point	1	1
			Screw, Phillips Pan Head w/ Patch (#10-32 x 1-3/4")	1	7
			NLA - Spacer (3/16 x 5/16 x 1-1/16")	1	7
			NLA - Strap, Securing	1	2
	C	1144492	Instruction Sheet, Natural Fit Handrims	1	1

NOTE: A - Includes Screws, Locknuts, and Securing Straps.
 B - Includes Screws, Spacers, and Securing Straps.
 C - Not Shown

#1 Natural Fit Handrims - 6 Point Attaching Wheels (Spoke Wheels)

Handrims sold as 1 each. Includes all Attaching Hardware (item 2) and Instruction Sheet.

Grip Style	24" Wheels	25" Wheels	26" Wheels
Standard	1145546-NLA	1145547	1145548-NLA
Super Grip	1145550-NLA	1145551	1145552

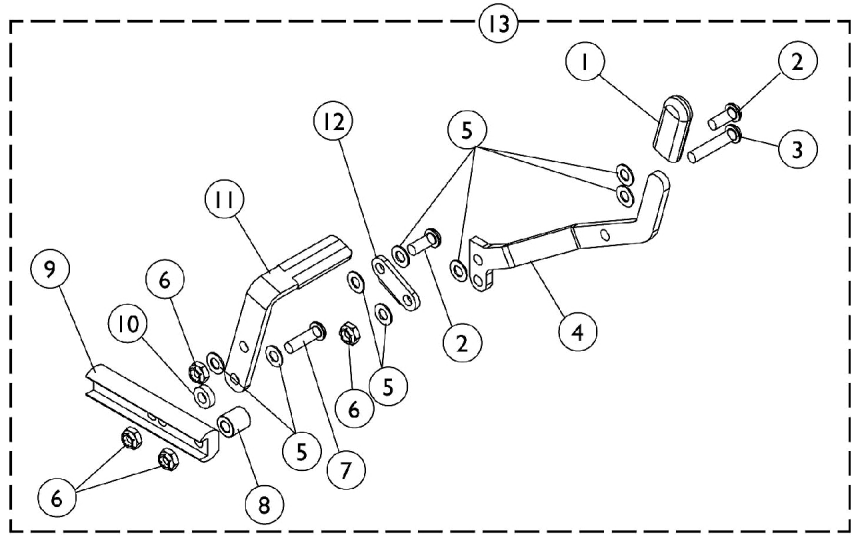
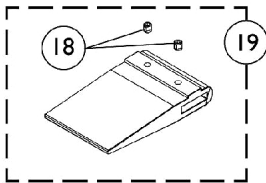
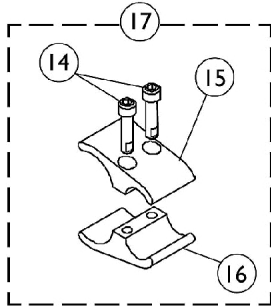
#3 Natural Fit Handrims - 7 Point Attaching Wheels (Composite Wheels)

Handrims sold as 1 each. Includes all Attaching Hardware (item 4) and Instruction Sheet.

Grip Style	24" Wheels
Standard	1145553
Super Grip	1145554

Wheel Lock - 12" Wheels

Compass Limited chairs (Pull to Lock)



Wheel Lock - 12" Wheels

Compass Limited chairs (Pull to Lock)

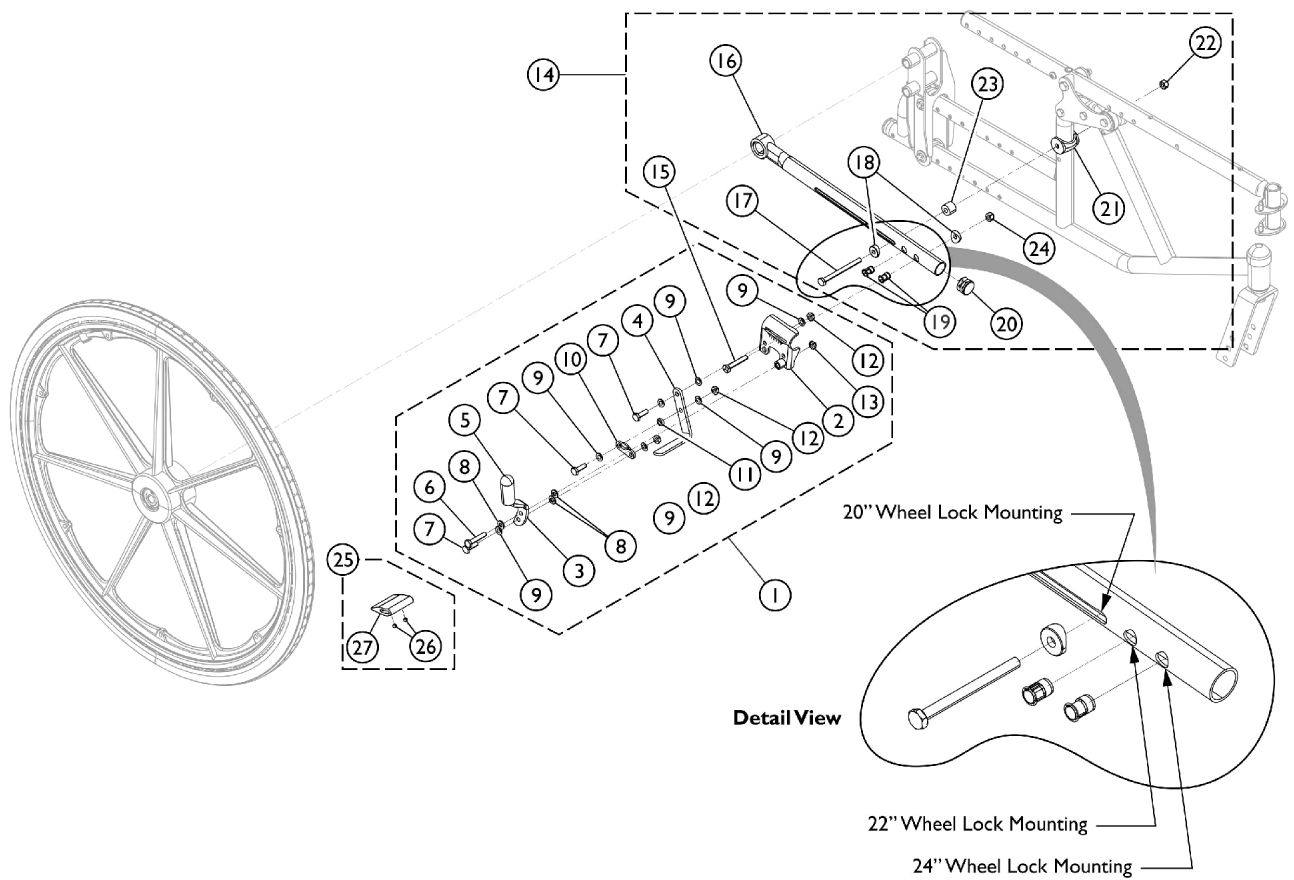
Item Number	Note	Part Number	Description	Quantity Per	
				Package	Assembly
1		1006490	Tip, Plastic, Black	1	1
2		1055304	Screw, Socket Button Head (1/4-28 x 5/8")	1	2
3		1059284-NLA	NLA - Screw, Socket Button Head (1/4-28 x 1-1/4")	1	1
4		1059345-NLA	NLA - Handle, Wheel Lock, Black - Right	1	1
4		1059346-NLA	NLA - Handle, Wheel Lock, Black - Left	1	8
5		1026103	Washer, Nylon (1/4 x 1/2 x 1/32")	1	4
6		1025765	Locknut (1/4-28)	1	1
7		1055306-NLA	NLA - Screw, Button Head Cap (1/4-28 x 7/8")	1	1
8		1020363-NLA	NLA - Spacer (1/4 x 1/2 x 1/2")	1	1
9		1080551-NLA	NLA - Strap, Wheel Lock	1	1
10		1028411-NLA	NLA - Spacer (1/4 x 1/2 x 5/32")	1	1
11		1021405-NLA	NLA - Shoe, Wheel Lock	1	1
12		1018727-NLA	NLA - Link, Stop, Black	1	1
13	A	1083090	Wheel Lock Assembly - Right	1	1
13	A	1083091	Wheel Lock Assembly - Left	1	1
14		1027268	Screw, Allen Head (1/4-20 x 1")	1	2
15		1043711	Clamp, Half, Non-Threaded	1	1
16		1043712	Clamp, Half, Threaded	1	1
17	B	1068210-NLA	Kit, Wheel Lock Attaching Hardware (1" Tubing)	1	2
14			Screw, Allen Head (1/4-20 x 1")	1	2
15			Clamp, Half, Non-Threaded	1	1
16			Clamp, Half, Threaded	1	1
18		1008438	Screw, Set Socket Cup Point (#8-32 x 3/16")	1	2
19	C	1067279	Kit, Wheel Lock Shoe Spacer	1	1
			Spacer, Wheel Lock Shoe (2-7/16")	1	1
			Screw, Set Socket Cup Point (#8-32 x 3/16")	1	2

NOTE: A - Includes items 1 thru 12.
B - Includes items 14 thru 16.
C - Includes Spacer and Set Screws (item 18)

Wheel Lock w/ Hardware - 20", 22", and 24" Wheels

Compass SPT Chairs (Push to Lock)

NOTE: When the wheels are used for the Front Wheel Configuration (FWDFS) Option, the Wheel Locks will be mounted on the chair backwards to function as a Pull to Lock Wheel Lock.
Item 1 functions for both RWDFS and FWDFS Options.



SCM_031A

Wheel Lock w/ Hardware - 20", 22", and 24" Wheels

Compass SPT Chairs (Push to Lock)

NOTE: When the wheels are used for the Front Wheel Configuration (FWDFS) Option, the Wheel Locks will be mounted on the chair backwards to function as a Pull to Lock Wheel Lock.

Item 1 functions for both RWDFS and FWDFS Options.

Item Number	Note	Part Number	Description	Quantity Per	
				Package	Assembly
1	A,B	1031792	Wheel Lock Assembly, Push to Lock, Adult - Right	1	1
1	A,B	1031793	Wheel Lock Assembly, Push to Lock, Adult - Left	1	1
2		1031787-NLA	NLA - Bracket, Mounting, Black - Right	1	1
2		1031788-NLA	NLA - Bracket, Mounting, Black - Left	1	1
3		1021408-NLA	NLA - Handle, Wheel Lock, Black - Right	1	1
3		1021409-NLA	NLA - Handle, Wheel Lock, Black - Left	1	1
4		1021405-NLA	NLA - Shoe, Wheel Lock	1	1
5		47376X024	Tip, Rubber Wheel Lock Handle, Black	1	1
6		1021406	Screw, Hex Head (1/4-20 x 1-1/4")	1	1
7		1028687	Screw, Hex Head (1/4-28 x 3/4")	1	3
8		1026033	Washer, Nylon (1/4 x 1/2 x 1/16")	1	3
9		1026103	Washer, Nylon (1/4 x 1/2 x 1/32")	1	7
10		1021404-NLA	NLA - Link, Black	1	1
11		1026105-NLA	NLA - Spacer, Nylon (1/4 x 7/16 x 1/8")	1	1
12		1025765	Locknut (1/4-28)	1	1
13		1025195	Locknut (1/4-20)	1	1
14	C	1121591-NLA	NLA - Kit, Wheel Lock Attaching Hardware (Pair)	2	1
15	E	1045267	Screw, Hex Head w/ Patch (1/4-20 x 3/4")	1	2
16		1121588	Bar, Wheel Lock, Black	1	1
17		1059374	Screw, Hex Head (1/4-28 x 3")	1	2
18	E	1026099	Spacer, Coved (1/4 x 11/16 x 1/2")	1	2
19	F	1019930-NLA	NLA - Insert, Threaded	1	4
20		1027095	Plug Button, Black (7/8")	1	2
21		1118469	Uni-Washer, Coved	1	2
22		1065362	Locknut (1/4-28)	1	2
23		1112992-NLA	NLA - Spacer (9/32 x 5/8 x 1/2")	1	2
24		1025736	Locknut (1/4-20)	1	2
25	G	1037421	Kit, Wheel Lock Shoe Spacer, 20" Rear Wheels (Pair)	1	1
26			Screw, Set Socket Cup Point (#8-32 x 3/16")	1	4
27			Spacer, Wheel Lock Shoe (2-63/64")	1	2
25	D	1048656	Kit, Wheel Lock Shoe Spacer	1	2
26			Screw, Set Socket Cup Point (#8-32 x 3/16")	1	2
27			Spacer, Wheel Lock Shoe (1-45/64")	1	1

Wheel Lock w/ Hardware - 20", 22", and 24" Wheels

Compass SPT Chairs (Push to Lock)

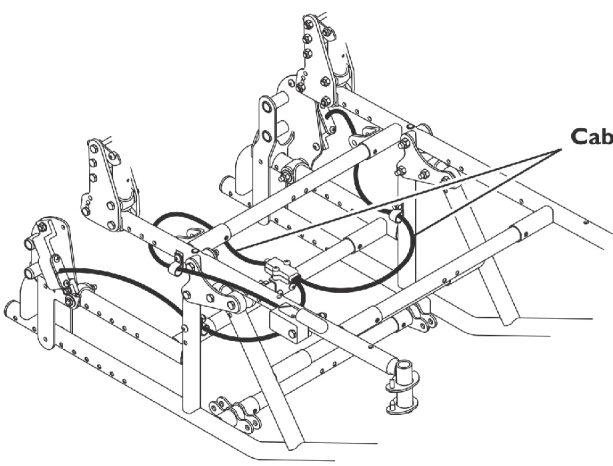
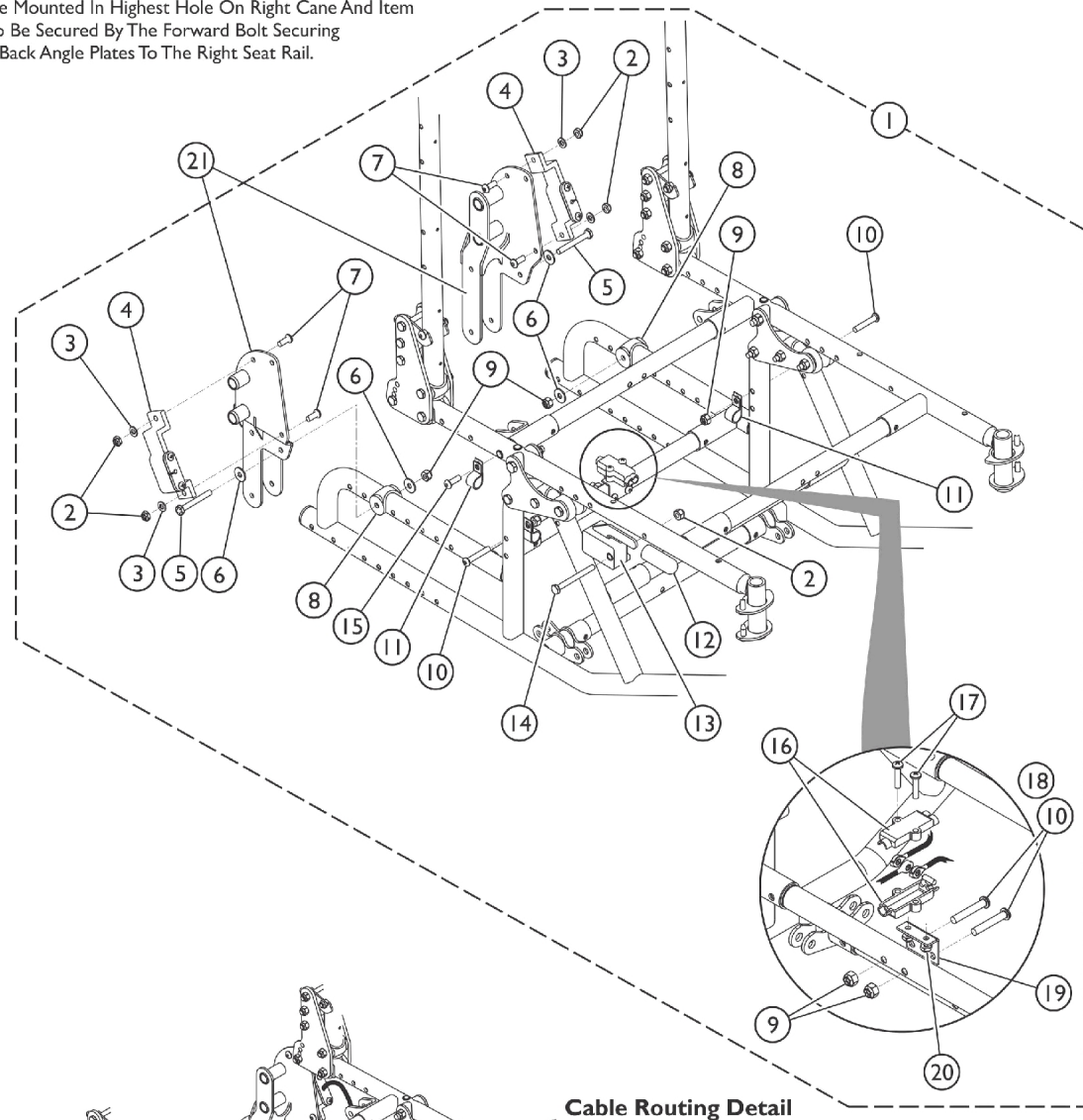
NOTE: When the wheels are used for the Front Wheel Configuration (FWDFS) Option, the Wheel Locks will be mounted on the chair backwards to function as a Pull to Lock Wheel Lock.

Item 1 functions for both RWDFS and FWDFS Options.

NOTE: A - When the wheels are used for the Front Wheel Configuration (FWDFS) Option, the Wheel Locks will be mounted on the chair backwards to function as a Pull to Lock Wheel Lock. Item 1 functions for both RWDFS and FWDFS Options.
B - Includes items 2 - 13.
C - Includes items 15 - 22.
D - Includes items 25 and 26. Used with 20, 22, and 24" Wheels.
E - Items 15 (Screw) and item 18 (Coved Spacer) are not required when wheelchair has 20 inch Rear Wheels.
F - Part #1019930 is no longer available as a service part individually. See item 14 and order part #1121591 as a replacement.
G - Kit includes Shoe Spacer (2) and Set Screws (4). Used on 20" Wheels only.

Hublock Replacement Kits (After 10/31/07)

Seat Rail Mount Shown. For Cane Mount, Item 13
To Be Mounted In Highest Hole On Right Cane And Item
11 To Be Secured By The Forward Bolt Securing
The Back Angle Plates To The Right Seat Rail.



Cable Routing Detail

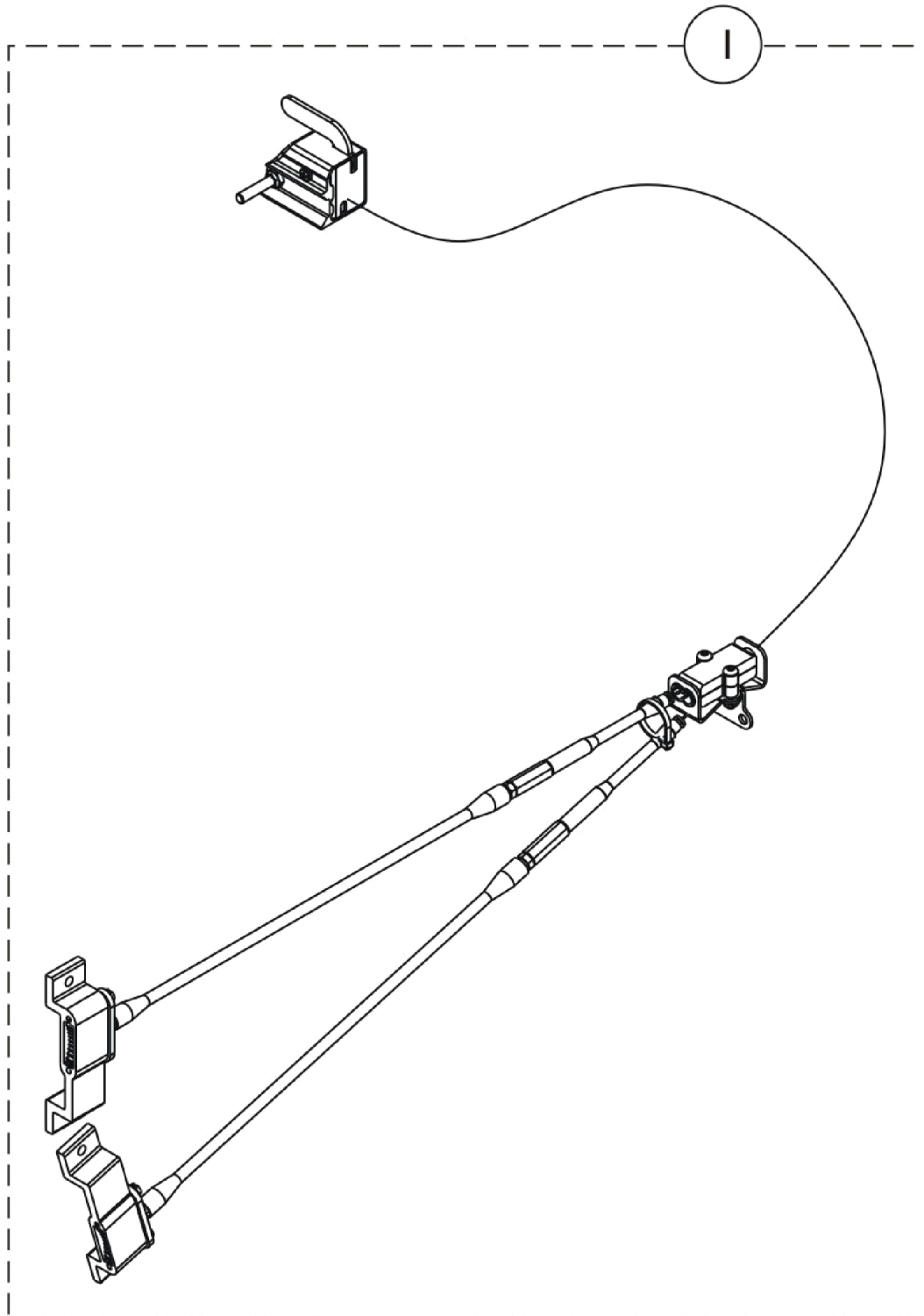
Hublock Replacement Kits (After 10/31/07)

Item Number	Note	Part Number	Description	Quantity Per	
				Package	Assembly
1	C,A,B	1132609	Kit, Hublock Cables and Hardware	1	1
2			Locknut (1/4-28)	1	5
3			Washer (1/4 x 1/2 x 1/16")	1	5
4			Latch with Cable Assembly, Hublock - Right	1	1
4			Latch with Cable Assembly, Hublock - Left	1	1
5			NLA - Screw, Hex Head (1/4-28 x 2")	1	2
6			Washer (1/4 x 23/32 x 1/16")	1	4
7			NLA - Screw, Socket Button Head (1/4-28 x 3/4")	1	4
8			Uni-Washer, Coved	1	2
9			Locknut (1/4-20)	1	6
10			Screw, Socket Button Head (1/4-28 x 1-1/2")	1	4
11			NLA - Bracket, Cable/Wire Mounting, Black	1	3
12			Tip, Plastic, Black	1	1
13			Actuator w/ Cable Assembly, Hand Operated	1	1
14			Screw, Socket Head (1/4-20 x 2-1/4")	1	1
15			Screw, Socket Button (1/4-20 x 3/4")	1	1
16			Box, Junction Cable	1	2
17			Screw, Socket Button Head (#10-32 x 1")	1	2
18			Pin, Dowel (3/16 x 1/2")	1	1
19			Box, Junction Cable	1	1
20	Locknut (#10-32)	1	2		
4	D,E,B	1132357	Latch with Cable Assembly, Hublock - Right	1	1
4	D,E,B	1132358	Latch with Cable Assembly, Hublock - Left	1	1
16		1132375	Box, Junction Cable	1	1
12		1127688	Package, Plastic Tip, Black	10	1
13	B	1132359	Actuator w/ Cable Assembly, Hand Operated	1	1
21		1132383	Plate, Rear Axle Hublock - Right	1	1
21		1132384	Plate, Rear Axle Hublock - Left	1	1

NOTE: A - Includes items 2-20
 B - Items 4 and 13 include the cable which is shown in the cable routing detail
 C - Items 4, 8, 12, & 13 are sold separately as service parts.
 D - For chairs manufactured before 2/2/09, it is recommended to order the Hublock Latch with Cable Assembly part numbers 1132357 and 1132358 together.
 E - For chairs manufactured after 2/1/09, it is also recommended to order both Hublock Latch with Cable Assembly part numbers 1132357 and 1132358 together to allow even wear on the components.

Hublock Replacement Kits (Before 11/01/07)

Invacare does not recommend the use of service part number 1132357 and/or 1132358 for replacement hub lock cables for wheel chairs manufactured before November 1, 2007.



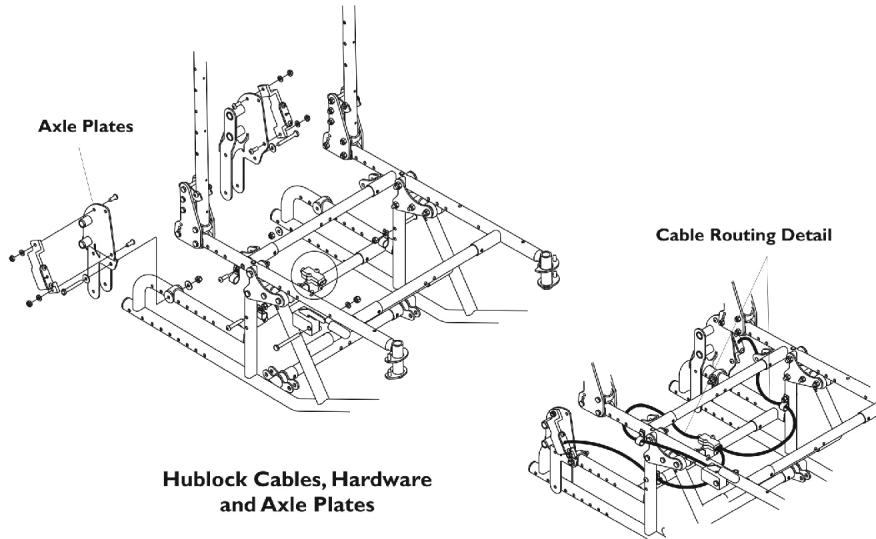
Hublock Replacement Kits (Before 11/01/07)

Invacare does not recommend the use of service part number 1132357 and/or 1132358 for replacement hub lock cables for wheel chairs manufactured before November 1, 2007.

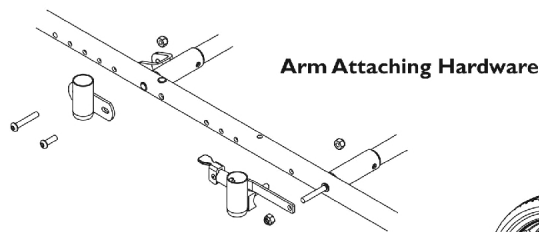
Item Number	Note	Part Number	Description	Quantity Per	
				Package	Assembly
1		1153656	Kit, Hublock Replacement, Hand Operated	1	1
			Actuator w/ Cable Assembly, Hand Operated	1	1
			Hublock Hand Operated Latch Assembly	1	1
			Hublock Hand Operated Latch Assembly	1	1
			Screw, Socket Button Head (#10-32 x 1")	1	2
			Box, Junction Cable	1	2
			Pin, Dowel (3/16 x 1/2")	1	1
			Locknut (#10-32)	1	2
			Bracket, Junction Cable, Black	1	1
			Tie Wrap (5-5/8" L)	1	1
			Locknut (1/4-28)	1	6
			Box, Junction Cable	1	1

Wheel Locks - Hublock Retro-Fit Kits

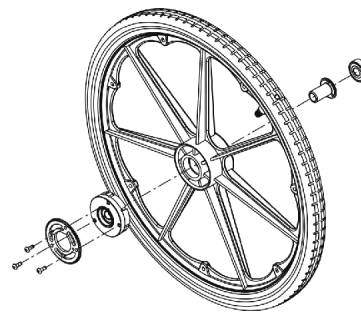
Retro-Fit Kits include Hublock Cables w/ Hardware, Axle Plates w/ Hardware, 12" or 20" Wheels, Wheel Hubs, Gear Hardware, Back Cane, and Instruction Manual. For a detailed breakdown of parts please refer to the appropriate category in this catalog. When adding Hublocks to an existing chair always use wheels provided with kit.



Hublock Cables, Hardware and Axle Plates



Arm Attaching Hardware



20"/22"/24" Rear Wheels

Wheel Locks - Hublock Retro-Fit Kits

Retro-Fit Kits include Hublock Cables w/ Hardware, Axle Plates w/ Hardware, 12" or 20" Wheels, Wheel Hubs, Gear Hardware, Back Cane, and Instruction Manual. For a detailed breakdown of parts please refer to the appropriate category in this catalog. When adding Hublocks to an existing chair always use wheels provided with kit.

Wheel Lock - Hublock Retro-Fit Kits (After 7/7/11)

Wheel Style	Hublock Kit Part Number
20" Composite w/ Pneumatic Tire	1170384-NLA
20" Composite Pneumatic w/ Flat Free Insert	1170385-NLA
20" Composite w/ Urethane Tire	1170386-NLA
22" Composite w/ Pneumatic Tire	1170387-NLA
22" Composite Pneumatic w/ Flat Free Insert	1170388-NLA
22" Composite w/ Urethane Tire	1170389-NLA
24" Composite w/ Pneumatic Tire	1170390-NLA
24" Composite Pneumatic w/ Flat Free Insert	1170391-NLA
24" Composite w/ Urethane Tire	1170392-NLA
24" Composite w/ KIK Tire	1170393-NLA

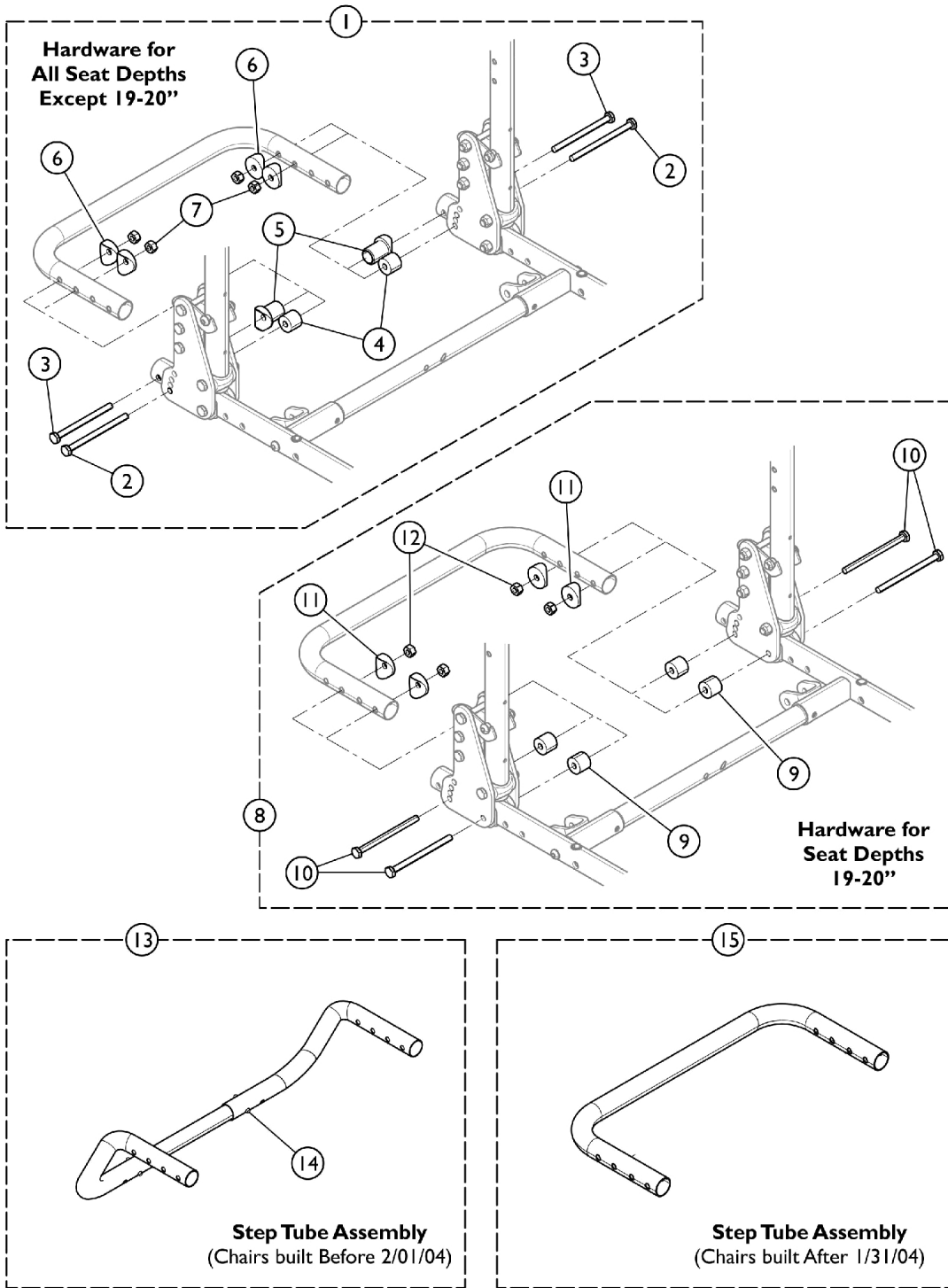
Wheel Locks - Hublock Retro-Fit Kits

Retro-Fit Kits include Hublock Cables w/ Hardware, Axle Plates w/ Hardware, 12" or 20" Wheels, Wheel Hubs, Gear Hardware, Back Cane, and Instruction Manual. For a detailed breakdown of parts please refer to the appropriate category in this catalog. When adding Hublocks to an existing chair always use wheels provided with kit.

Wheel Lock - Hublock Retro-Fit Kits (Before 7/8/11)

Wheel Style	Hublock Kit Part Number
20" Composite w/ Pneumatic Tire	1140362-NLA
20" Composite Pneumatic w/ Flat Free Insert	1140363-NLA
20" Composite w/ Urethane Tire	1140364-NLA
22" Composite w/ Pneumatic Tire	1140365-NLA
22" Composite Pneumatic w/ Flat Free Insert	1140366-NLA
22" Composite w/ Urethane Tire	1140367-NLA
24" Composite w/ Pneumatic Tire	1140368-NLA
24" Composite Pneumatic w/ Flat Free Insert	1140369-NLA
24" Composite w/ Urethane Tire	1140370-NLA
24" Composite w/ KIK Tire	1140371-NLA

Adult Tilt Foot Assist Option (ATFA)



SCM_199A

Adult Tilt Foot Assist Option (ATFA)

Item Number	Note	Part Number	Description	Quantity Per	
				Package	Assembly
1	A	1064330	Hardware, Mounting, Adult Tilt Foot Assist	1	1
2		1064329-NLA	NLA - Screw, Hex Head (1/4-28 x 3-1/2")	1	2
3		1063208-NLA	NLA - Screw, Hex Head (1/4-28 x 3-1/4")	1	2
4		1064328-NLA	NLA - Spacer, Nylon (1/4 x 3/4 x 5/8")	1	2
5		1017148	Pivot, Footrest	1	2
6		40157X020	Spacer, Coved (1/4 x 1 x 9/16")	1	4
7		1055366	Locknut (1/4-28)	1	4
8	B,I	1192813	Hardware, Mounting, Adult Tilt Foot Assist (19-20")	1	1
9			NLA - Spacer, Nylon (1/4 x 3/4 x 5/8")	1	4
10			NLA - Screw, Hex Head (1/4-28 x 3-1/2")	1	4
11			Spacer, Coved (1/4 x 1 x 9/16")	1	4
12			Locknut (1/4-28)	1	4
			NLA - Instruction Sheet, Tilt Foot Assist	1	4
13	A,C,G	1064070-NLA	NLA - Step Tube Assembly, Black (15 - 17" W)	1	1
13	D,F,G	1064069-NLA	NLA - Step Tube Assembly, Black (18 - 20" W)	1	1
13	E,F,G	1064068-NLA	NLA - Step Tube Assembly, Black (21 - 22" W)	1	1
14	G	1025763	Spring, Torsion with Double Button	1	1
15	H	See Chart	Step Tube Assembly (After 1/31/04)	1	1
		1064591-NLA	NLA - Instruction Sheet, Tilt Foot Assist	1	1

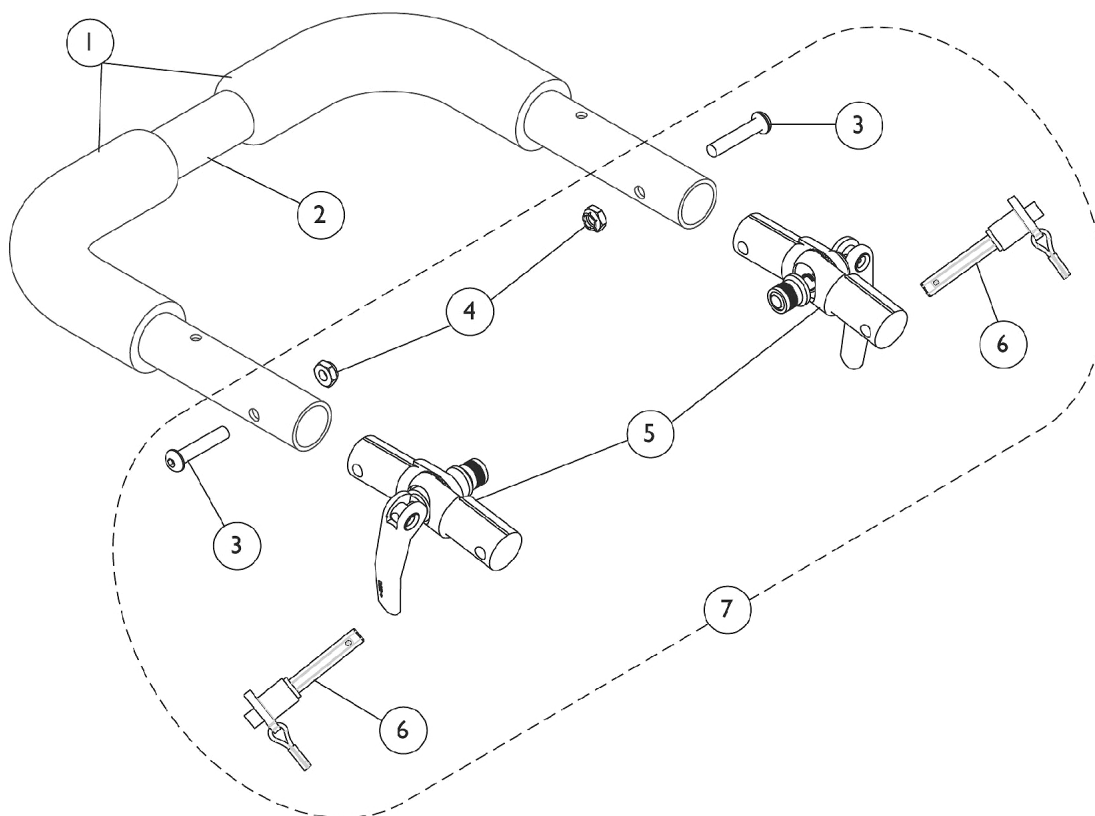
NOTE: A - Includes items 2 - 7.
 B - Includes items 9 - 12.
 C - 15 - 17" Wide Chairs only.
 D - 18 - 20" Wide Chairs only.
 E - 21 - 22" Wide Chairs only.
 F - Step Tube Assembly does not include hardware, see 1064330 to attach ATFA option.
 G - Chairs manufactured before 02/01/04.
 H - Chairs manufactured after 01/31/04. See Step Tube Assembly Chart below.
 I - Use with 19 - 20" Seat Depth Chairs only.

#15 Step Tube Assembly (After 1/31/04)

Chair Width	Part Number
14"	1124007-NLA
15"	1124008-NLA
16"	1124009-NLA
17"	1124010-NLA
18"	1124011-NLA
19"	1124012-NLA
20"	1124013-NLA
21"	1124014-NLA
22"	1124015-NLA

Adjustable Angle Stroller Handle

Before 8/16/05



Adjustable Angle Stroller Handle Before 8/16/05

Item Number	Note	Part Number	Description	Quantity Per	
				Package	Assembly
1		1133698	Grip, Foam Hand (9" L)	1	2
2	A	See Chart	#2 Push Handle with Grip (14-18" Wide)	1	1
2	A	See Chart	#2 Push Handle with Grip (19-22" Wide)	1	1
3		1055309	Screw, Socket Button Head (1/4-28 x 1-1/4")	1	2
4		1025765	Locknut (1/4-28)	1	4
5		1112539	Folding Hinge Assembly	1	2
6		1045470	Pin, Quick Release with Lanyard	1	2
7	B	1114689-NLA	NLA - Hardware, Stroller Handle Hinge (1 Pair)	2	1

NOTE: A - See Push Handle w/ Grip Charts
B - Includes items 3-6

#2 Push Handle with Grip (14-18" Wide)

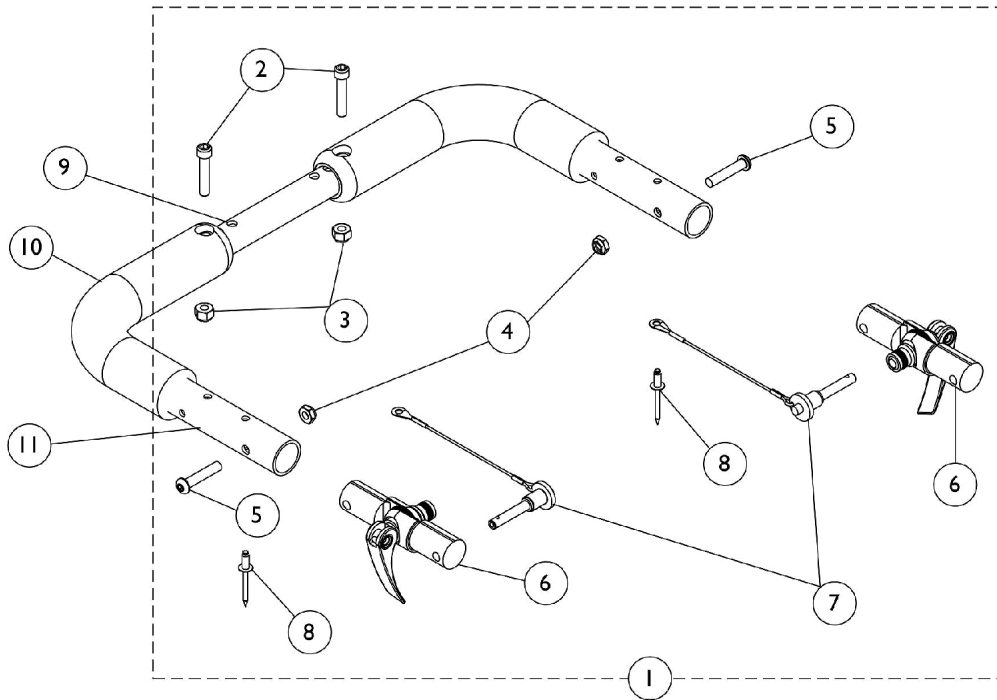
14" Wide	15" Wide	16" Wide	17" Wide	18" Wide
1082622-NLA	1082623	1082624	1086406	1086407

#2 Push Handle with Grip (19-22" Wide)

19" Wide	20" Wide	21" Wide	22" Wide
1086408	1086409-NLA	1086410	1086411

Adjustable Angle Stroller Handle (8/16/05 thru 5/29/08)

Stroller Handle Hardware (item 1) includes hardware only (items 2-8). If a complete Stroller Handle is needed then items 9 & 11 must be ordered as well.



Adjustable Angle Stroller Handle (8/16/05 thru 5/29/08)

Stroller Handle Hardware (item 1) includes hardware only (items 2-8). If a complete Stroller Handle is needed then items 9 & 11 must be ordered as well.

Item Number	Note	Part Number	Description	Quantity Per	
				Package	Assembly
1	A	1127791	Kit, Adjustable Angle Stroller Handle Hardware	1	1
2			Screw, Allen Head (1/4-28 x 1-1/4")	1	2
3			Locknut (1/4-28)	1	2
4			Locknut (1/4-28)	1	2
5			Screw, Socket Button Head (1/4-28 x 1-1/4")	1	2
6			Folding Hinge Assembly	1	2
7			Pin, Quick Release with Lanyard	1	2
8			NLA - Rivet (3/16 x 7/16")	1	2
9		See Chart	#9 Crossbrace Tube	1	1
10		1127767	Grip, Foam (9")	1	2
11	B	1127789	Stroller Handle Assembly - Right/Left	1	2

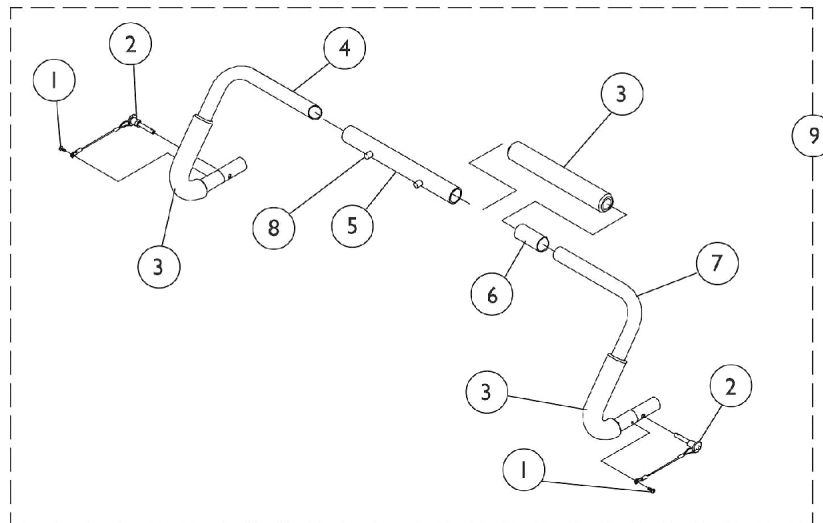
NOTE: A - Includes items 2-8
B - Includes item 10, Foam Grip

#9 Crossbrace Tube

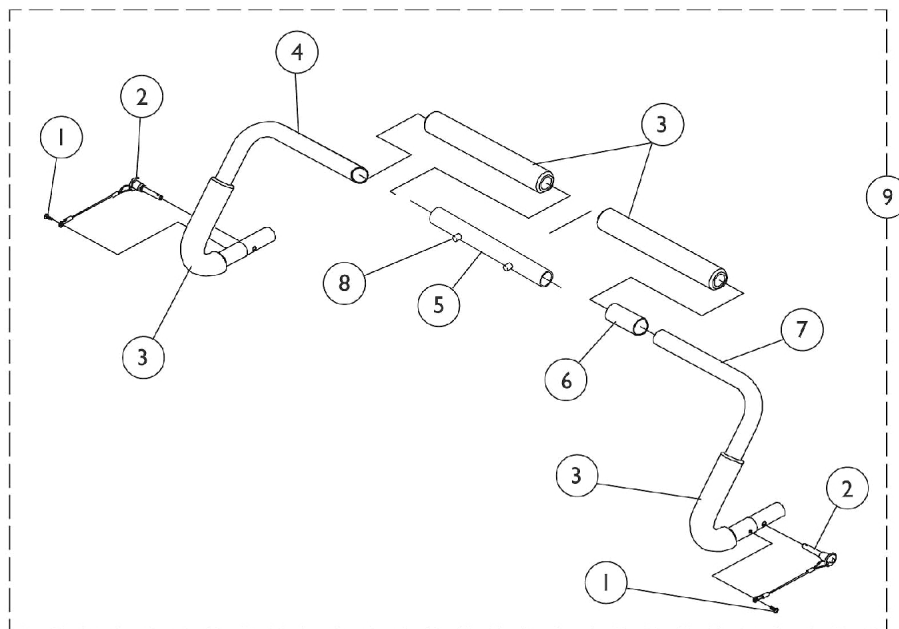
14"-15" Wide	16"-17" Wide	18"-22"
1129474	1129475	1129476

Non-Adjustable Rigidizing Stroller Handle - 1483

Before 8/16/05



14-17" Wide Chairs



18-22" Wide Chairs

Non-Adjustable Rigidizing Stroller Handle - 1483 Before 8/16/05

Item Number	Note	Part Number	Description	Quantity Per	
				Package	Assembly
1		1014386-NLA	NLA - Screw, Phillips Pan Head (#8-32 x 5/8")	1	2
2		1045470	Pin, Quick Release with Lanyard	1	2
3	G	1016254	Grip, Push Handle	1	4
4	A	1055228-NLA	NLA - Handle, Stroller, Black - Left	1	1
4	B	1045552-NLA	NLA - Handle, Stroller, Black - Left	1	1
5	A	1055226-NLA	NLA - Slide Tube w/ Snap Buttons Assembly, Chrome	1	1
5	C	1045361-NLA	NLA - Slide Tube w/ Snap Buttons Assembly, Short, Chrome	1	1
5	D	1045360-NLA	NLA - Slide Tube w/ Snap Buttons Assembly, Long, Chrome	1	1
6	E	See Chart	#6 Spacer Tube	1	1
7	A	1055227-NLA	NLA - Handle, Stroller, Black - Right	1	1
7	B	1045551-NLA	NLA - Handle, Stroller, Black - Right	1	1
8		40188X009	Button, Single Snap	1	2
9	F	See Chart	#9 Stroller Handle Assembly - Black	1	1

NOTE: A - 14-15" Wide Chairs
 B - 16-22" Wide Chairs
 C - 16-20" Wide Chairs
 D - 21-22" Wide Chairs
 E - See Spacer Tube Chart
 F - See Stroller Handle Assembly Chart. Includes items 1-8.
 G - 14-17" wide chairs require 3 ea.; 18-22" wide chairs require 4 ea.

#6 Spacer Tube

14" Wide	15" Wide	16" Wide	17" Wide	18" Wide
1049515-NLA	1049516-NLA	Not Required	1049513-NLA	1046178-NLA
19" Wide	20" Wide	21" Wide	22" Wide	
1049514-NLA	1049515-NLA	1049516-NLA	1049517-NLA	

#9 Stroller Handle Assembly - Black

Includes items 1-8

14" Wide	15" Wide	16" Wide	17" Wide	18" Wide
1055231-NLA	1055232-NLA	1049140	1049141-NLA	1045362

Non-Adjustable Rigidizing Stroller Handle - 1483

Before 8/16/05

#9 Stroller Handle Assembly - Black

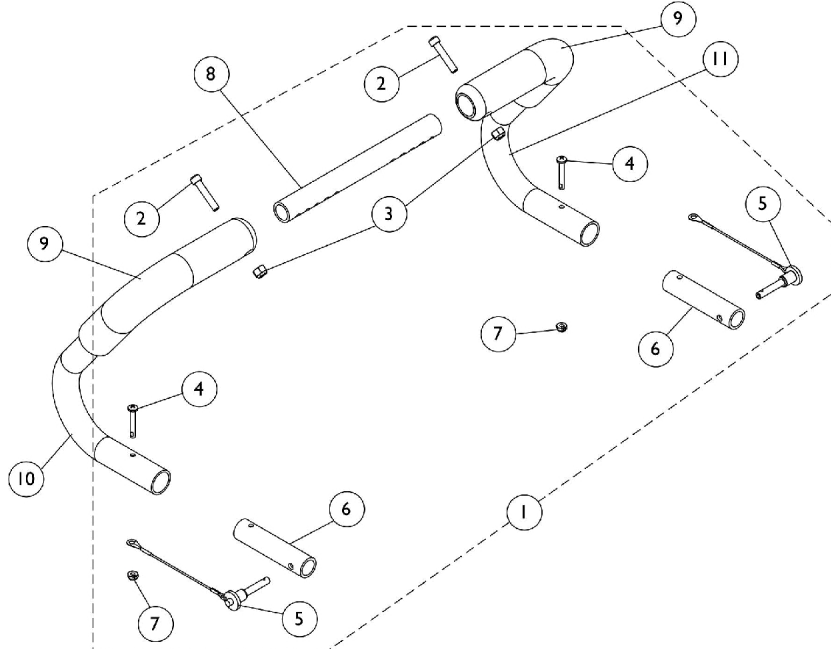
Includes items 1-8

14" Wide	15" Wide	16" Wide	17" Wide	18" Wide
19" Wide	20" Wide	21" Wide	22" Wide	
1049142-NLA	1049143	1049144-NLA	1049145-NLA	

Non-Adjustable Rigidizing Stroller Handle - 1483

(8/16/05 thru 5/29/08)

Stroller Handle Hardware (item 1) includes hardware only (items 2-7). If a complete Stroller Handle is needed then items 8, 10, & 11 must be ordered as well.



Item Number	Note	Part Number	Description	Quantity Per	
				Package	Assembly
1	A	1127689	Kit, Non-Adjustable Stroller Handle Hardware	1	1
2			Screw, Allen Head (1/4-28 x 1-1/4")	1	2
3			Locknut (1/4-28)	1	2
4			Screw, Phillips Pan Head (#10-32 x 1-1/4")	1	2
5			Pin, Quick Release with Lanyard	1	2
6			NLA - Tube, Insert	1	2
7			Locknut (#10-32)	1	2
8		See Chart	#8 Crossbrace Tube	1	1
9		1127767	Grip, Foam (9")	1	2
10	B	1127690	Stroller Handle Assembly - Right	1	1
11	B	1127691	Stroller Handle Assembly - Left	1	1

NOTE: A - Includes items 2-7
B - Includes item 9, Foam Grip

#8 Crossbrace Tube

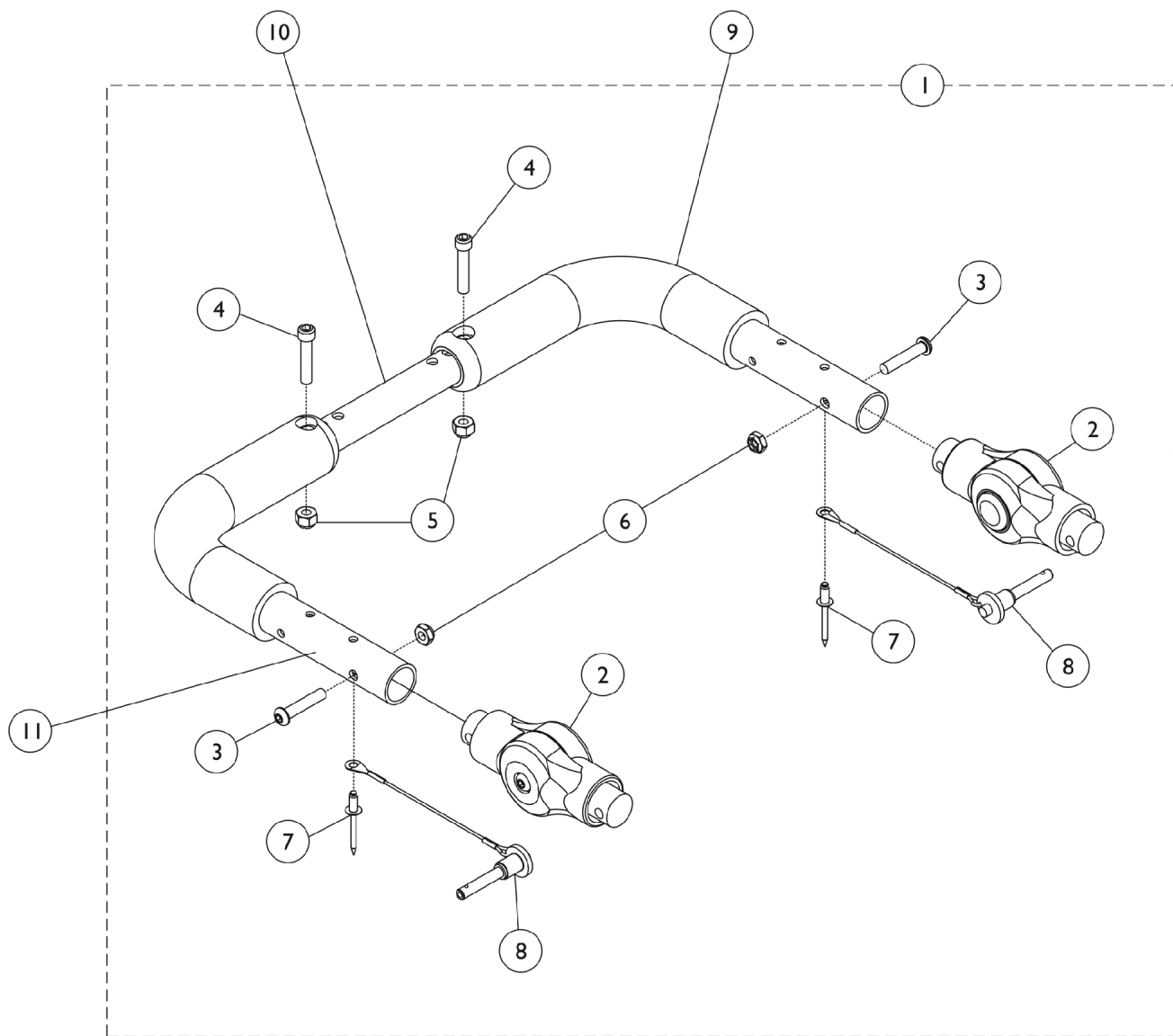
14"-15" Wide	16"-17" Wide	18"-22"
1129474	1129475	1129476

Non-Adjustable Rigidizing Stroller Handle - 1483

(8/16/05 thru 5/29/08)

Stroller Handle Hardware (item 1) includes hardware only (items 2-7). If a complete Stroller Handle is needed then items 8, 10, & 11 must be ordered as well.

Adjustable Angle Stroller Handle - Rigid Inside Mount SPREE/COMPASS SPT (After 5/28/08)



Adjustable Angle Stroller Handle - Rigid Inside Mount SPREE/COMPASS SPT (After 5/28/08)

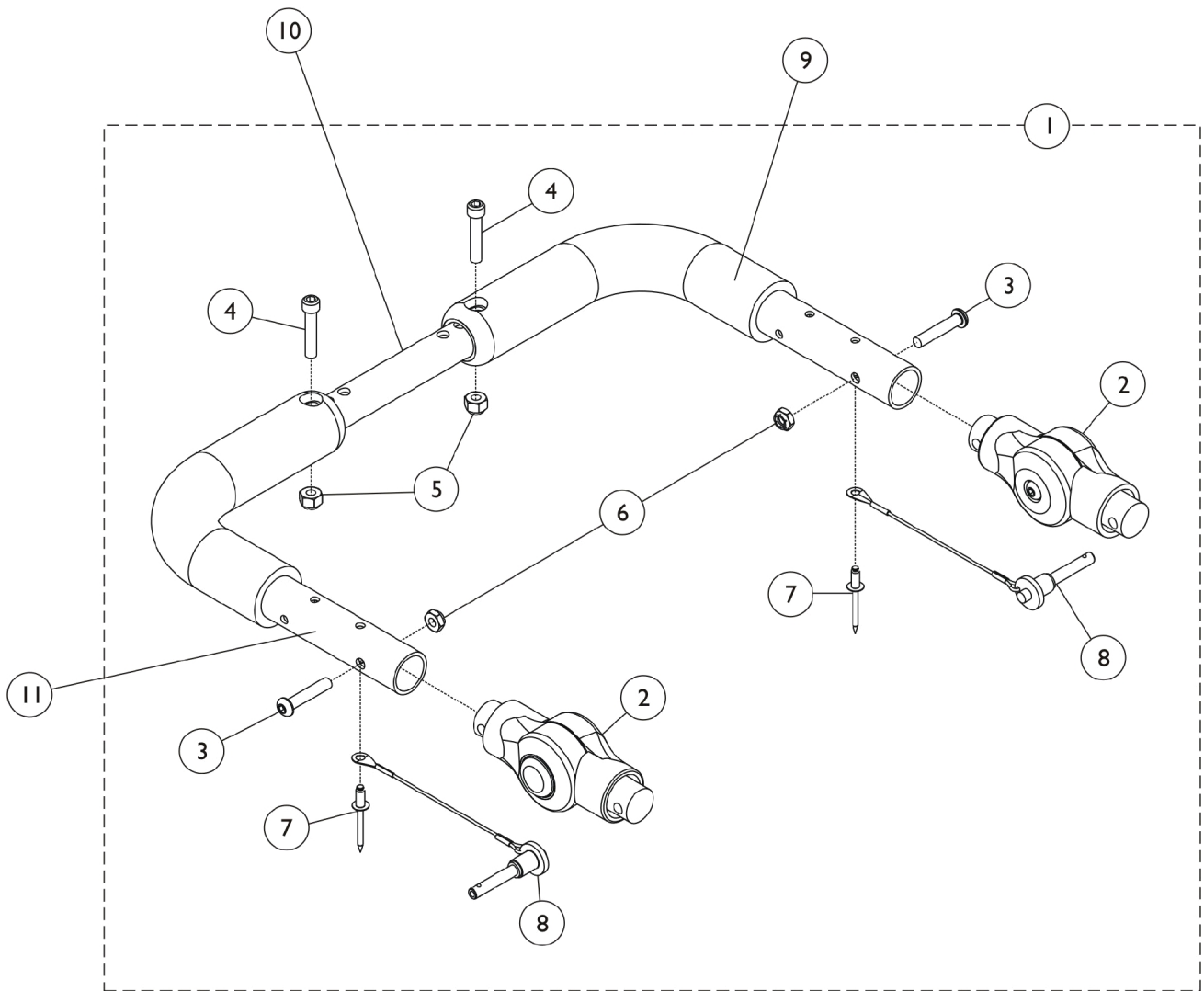
Item Number	Note	Part Number	Description	Quantity Per	
				Package	Assembly
1	A,B	1136695	Kit, Stroller Handle, Adjustable Angle - Rigid Inside Mount	1	1
2			Gear, Stroller Handle	1	2
3			Screw, Socket Button Head (1/4-28 x 1-1/4")	1	2
4			Screw, Allen Head (1/4-28 x 1-1/4")	1	2
5			Locknut (1/4-28)	1	2
6			Locknut (1/4-28)	1	2
7			NLA - Rivet (3/16 x 7/16")	1	2
8			Pin, Quick Release with Lanyard	1	2
9		1127767	Grip, Foam (9")	1	1
10		See Chart	#8 Crossbrace Tube	1	1
11	D	1150938	Stroller Handle Assembly - Right/Left	1	1
	C	1161431	Package, Adjusting Button, Black	10	1

NOTE: A - Includes items 2-8.
 B - To order replacement Stroller Handle Gear Adjusting Buttons, order package part number 1161431.
 C - Not Shown.
 D - Includes item #9 Foam Grip also.

#8 Crossbrace Tube

12-16" Wide	14-18" Wide	16-20" Wide	18-22" Wide
1129473	1129474	1129475	1129476

Adjustable Angle Stroller Handle - Rigid Outside Mount (After 5/29/08)



Adjustable Angle Stroller Handle - Rigid Outside Mount (After 5/29/08)

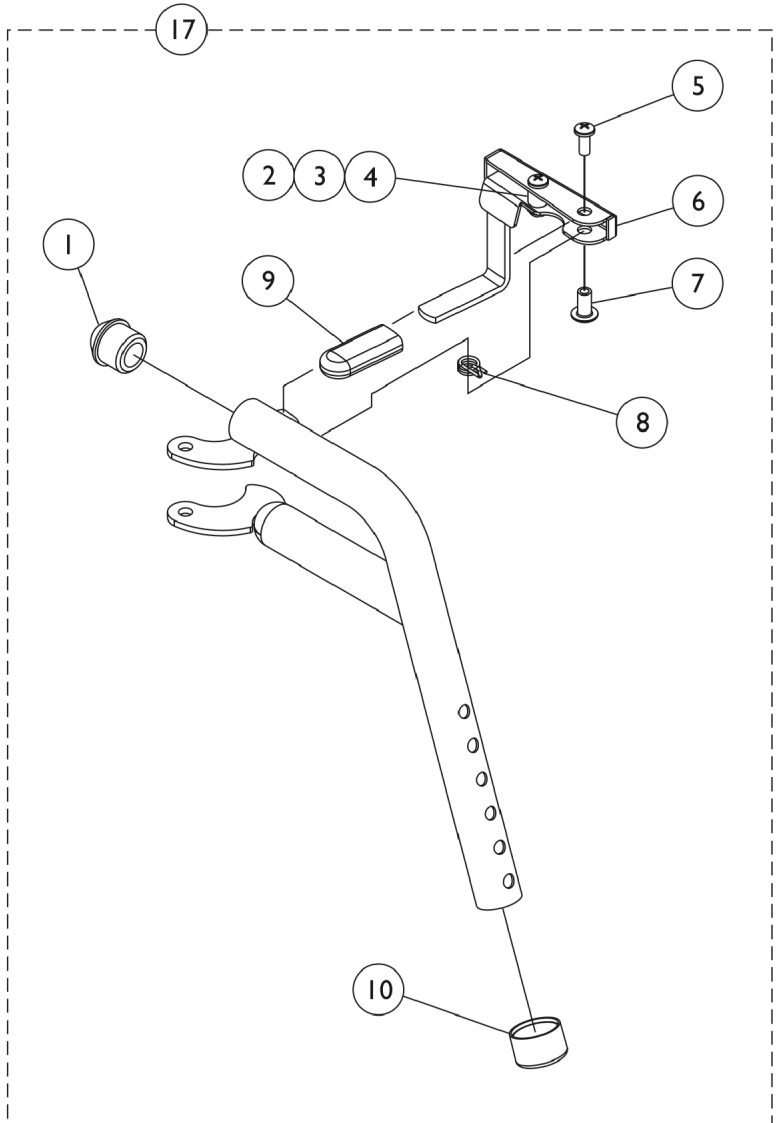
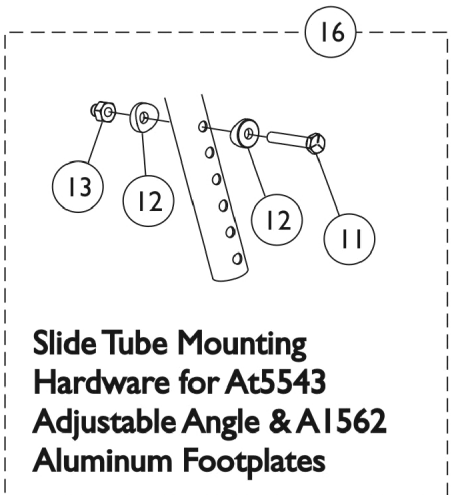
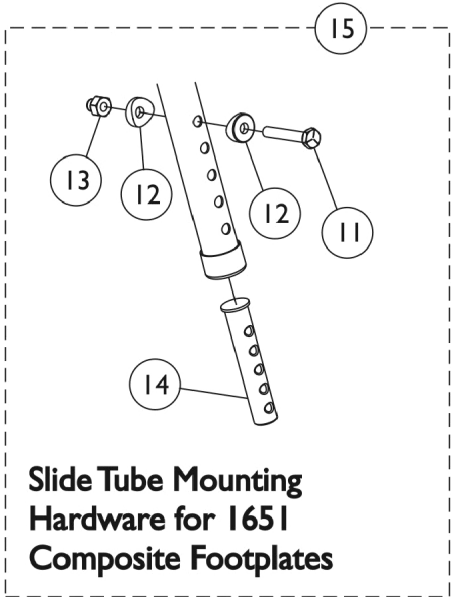
Item Number	Note	Part Number	Description	Quantity Per	
				Package	Assembly
1	A,B	1136692	Kit, Stroller Handle, Adjustable Angle - Rigid Outside Mount	1	1
2			Gear, Stroller Handle	1	2
3			Screw, Socket Button Head (1/4-28 x 1-1/4")	1	2
4			Screw, Allen Head (1/4-28 x 1-1/4")	1	2
5			Locknut (1/4-28)	1	2
6			Locknut (1/4-28)	1	2
7			NLA - Rivet (3/16 x 7/16")	1	2
8			Pin, Quick Release with Lanyard	1	2
9		1127767	Grip, Foam (9")	1	2
10		See Chart	#10 Crossbrace Tube	1	1
11	D	1150938	Stroller Handle Assembly - Right/Left	1	1
	C	1161431	Package, Adjusting Button, Black	10	1

NOTE: A - Includes items 2-8.
 B - To order replacement Stroller Handle Gear Adjusting Buttons, order package part number 1161431.
 C - Not Shown.
 D - Includes item #9 Foam Grip also.

#10 Crossbrace Tube

12-16" Wide	14-18" Wide	16-20" Wide	18-22" Wide
1129473	1129474	1129475	1129476

Footrest Support Assembly - PHW93 (Pin Style)



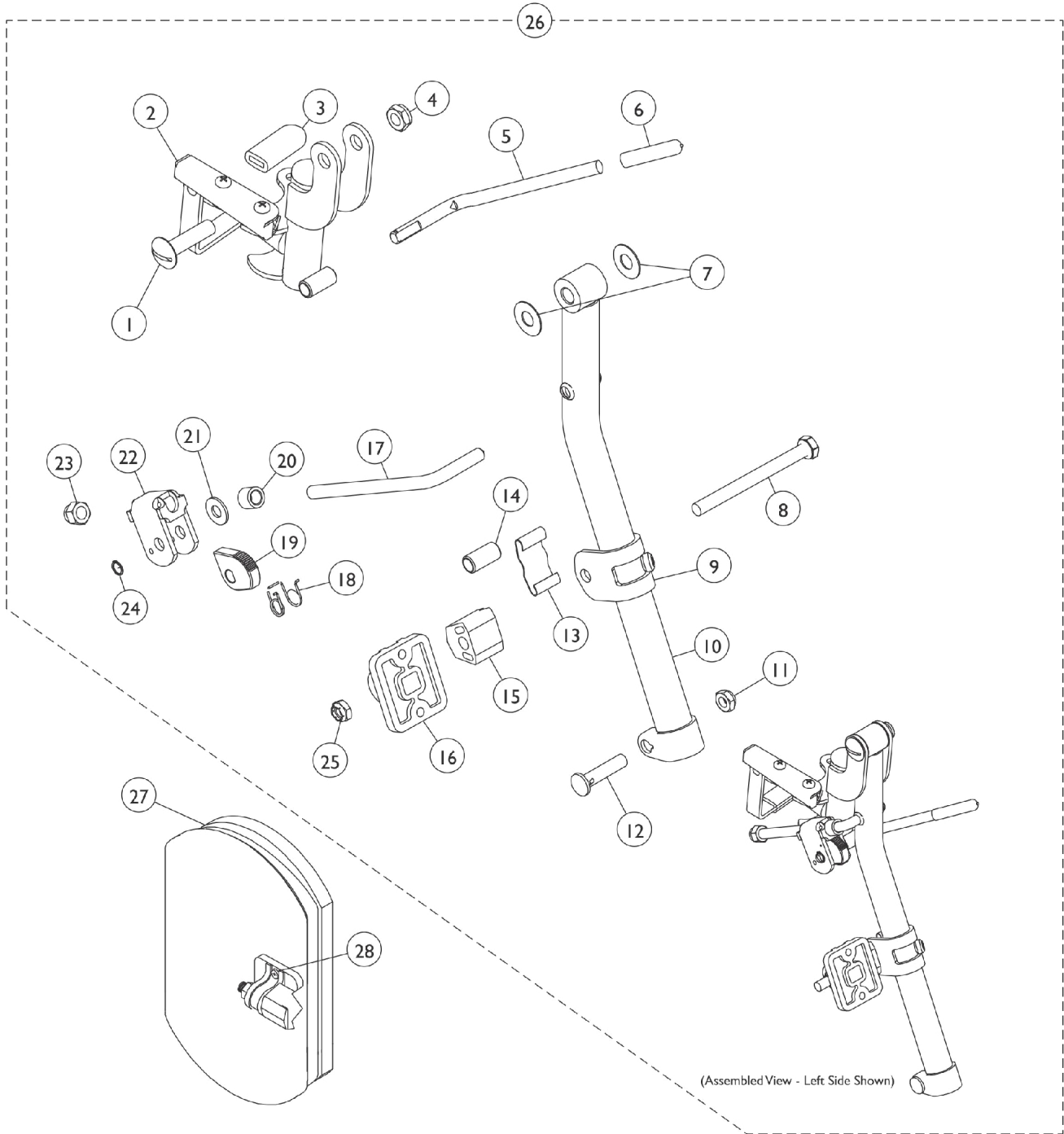
Footrest Support Assembly - PHW93 (Pin Style)

Item Number	Note	Part Number	Description	Quantity Per	
				Package	Assembly
1		1020719	Anti-Rattle, Black	1	1
2		1025716	Screw, Phillips Pan Head (#10-32 x 11/16")	1	1
3		47565X057	Bushing (7/32 x 3/8 x 11/32")	1	1
4		1025735	Locknut (#10-32)	1	1
5		1026114	Screw, Phillips Pan Head (#10-32 x 1/2")	1	1
6	A	1114749-NLA	NLA - Handle, Release, Black - Right	1	1
6	A	1114750-NLA	NLA - Handle, Release, Black - Left	1	1
7		1028846-NLA	NLA - Rivnut (#10-32)	1	1
8		1028707	Spring, Release - Right	1	1
8		1028708	Spring, Release - Left	1	1
9		1006490	Tip, Plastic, Black	1	1
10		15680X012	Collar, Anti-Rattle (7/8")	1	1
11		1070759	Screw, Hex Head (1/4-20 x 1-1/2")	1	1
12		1026099	Spacer, Coved (1/4 x 11/16 x 1/2")	1	2
13		1044214	Nut, Hex with Nylon Cap (1/4-20)	1	1
14	E	1020534	Insert, Threaded	1	1
15	B	1074143	Kit, Slide Tube Mounting Hardware	1	1
16	C	1121612	Hardware, Slide Tube Mounting	1	1
17	D	1114755	Footrest Support Assembly, Hemi, Black - Right	1	1
17	D	1114756	Footrest Support Assembly, Hemi, Black - Left	1	1

NOTE: A - Includes items 2-4
 B - Used with 1651 Composite Footplates. Includes items 11-14.
 C - Used with AT5543 Adj. Angle and A1562 Aluminum Footplates. Includes items 11-13.
 D - Includes items 1-10
 E - As of 8/15/03, the Threaded Insert was revised from 3 to 5 Holes. Threaded Insert is Backward Compatible and does not require ordering in Pairs.

Legrest Support Assembly - PH904A (Pin Style)

Legrest Support does not include Legrest Pad. Due to a change to the Legrest Calf Pad size made on 4/23/12, you must also order the hardware kit (1068649) when ordering replacement Calf Pads.



Legrest Support Assembly - PH904A (Pin Style)

Legrest Support does not include Legrest Pad. Due to a change to the Legrest Calf Pad size made on 4/23/12, you must also order the hardware kit (1068649) when ordering replacement Calf Pads.

Item Number	Note	Part Number	Description	Quantity Per	
				Package	Assembly
1		11919X000-NLA	NLA - Screw, Slotted Truss Head (3/8-16 x 1-1/2")	1	1
2		1114753	Legrest Support Assembly, Black - Right	1	1
2		1114754	Legrest Support Assembly, Black - Left	1	1
3		1006490	Tip, Plastic, Black	1	1
4		40363X000	Hex Nut (3/8"-16)	1	1
5		1037126	Handle, Release	1	1
6		1040060	Tip, Plastic, Black	1	1
7		1058636-NLA	NLA - Washer, Nylon (25/64 x 7/8 x 1/32")	1	2
8		1014807	Screw, Hex Head (5/16-24 x 3-1/4")	1	1
9		1110207	Bracket, Calf Pad Mounting, Black	1	1
10	E	8881048851	Tube, Elevating Adjustable Support, Color - Right	1	1
10	E	8881048852	Tube, Elevating Adjustable Support, Color - Left	1	1
11		1107321	Nut, Low Cap (5/16"-24)	1	1
12		1026030	Bolt, Lug (5/16-24 x 1-3/8")	1	1
13		48823X008	Spring, Leaf	1	1
14		47328X003	Bushing, Pivot (5/16 x 7/16 x 7/8")	1	1
15		1025133	Spacer, Legrest Pad, Black	1	1
16		04526X019	Plate, Legrest Pad	1	1
17		1113030	Bar, Ratchet	1	1
18		1037485	Spring, Release	1	1
19		1037125	Cam, Legrest	1	1
20		47330X003	Spacer (5/16 x 1/2 x 3/8")	1	1
21		1013519	Washer, Nylon (5/16 x 11/16 x 1/16")	1	1
22		04528X002	Bracket, Release, Black	1	1
23		10261X000	Nut, Acorn (5/16-24)	1	1
24		1040831	Ring, Snap	1	1
25		1025730	Locknut (5/16-24)	1	1
26	A,E	8881114757	Legrest Support Assembly, Hemi, Color - Right	1	1
26	A,E	8881114758	Legrest Support Assembly, Hemi, Color - Left	1	1
27	B,D,G	88804529X003	Pad, Legrest, Vinyl - Right	1	1
27	B,D,G	88804529X004	Pad, Legrest, Vinyl - Left	1	1
27	C,D,G	8881091764	Pad, Legrest, Vinyl - Right/Left	1	1
28	F	1068649	Hardware, Legrest Pad	1	1
			Screw, Phillips Pan Head (#10-32 x 11/16")	1	2
			Screw, Phillips Pan Head (#10-32 x 1")	1	2
			Instruction Sheet, Legrest Pad Mtg.	1	1

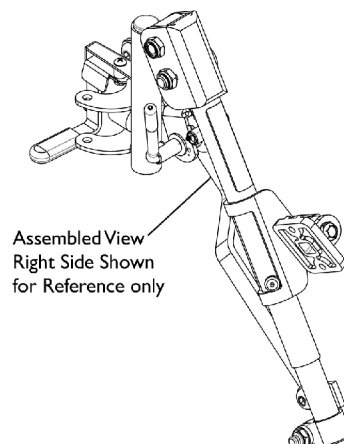
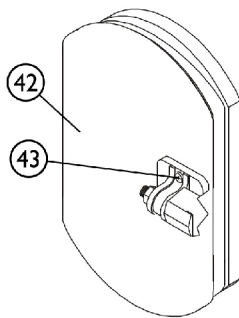
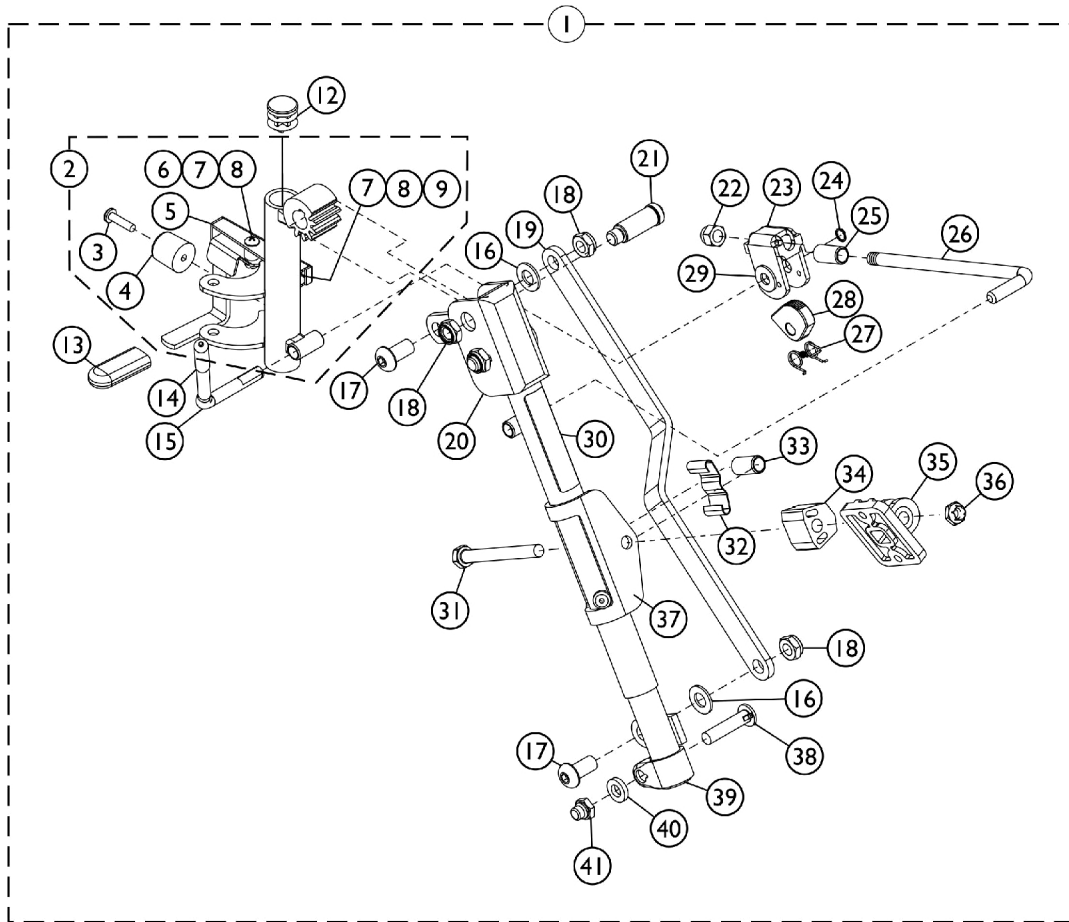
Legrest Support Assembly - PH904A (Pin Style)

Legrest Support does not include Legrest Pad. Due to a change to the Legrest Calf Pad size made on 4/23/12, you must also order the hardware kit (1068649) when ordering replacement Calf Pads.

NOTE: A - Includes items 1-25.
B - 14-15" Wide Chairs
C - 16-22" Wide Chairs
D - Specify U67 Black upholstery color when ordering.
E - Specify 34P Flat Black Frame Finish When Ordering.
F - Includes Screws and Instruction Sheet.
G - Due to a change to the Legrest Calf Pad size made on 4/23/12, you must also order the hardware kit (1068649) when ordering replacement Calf Pads.

PHAL4A (Hemi) Articulating Legrest Supports (Pin Style)

Legrest Support does not include Legrest Pad



SCP_001A

PHAL4A (Hemi) Articulating Legrest Supports (Pin Style)

Legrest Support does not include Legrest Pad

Item Number	Note	Part Number	Description	Quantity Per	
				Package	Assembly
1	B	1114761	Legrest Support Assembly, Articulating, Hemi, Chrome - Right	1	1
1	B	1114762	Legrest Support Assembly, Articulating, Hemi, Chrome - Left	1	1
2	E,C	1114759-NLA	NLA - Tube, Legrest Support, Hemi, Chrome - Right	1	1
2	E	1114760	Tube, Legrest Support, Hemi, Chrome - Left	1	1
3		1030979	Screw, Phillips Pan Head Tap (#10-32 x 3/4")	1	1
4		1022874	Bumper	1	1
5		1114751-NLA	NLA - Handle, Release, Chrome - Right	1	1
5		1114752	Handle, Release, Chrome - Left	1	1
6		47565X057	Bushing (7/32 x 3/8 x 11/32")	1	1
7		60279X003	Locknut (#10-32)	1	1
8		40163X008	Screw, Phillips Pan Head (#10-32 x 11/16")	1	1
9		1008935	Spring, Release - Right	1	1
9		1008936	Spring, Release - Left	1	1
10		67005X000	Rivnut (#10-32)	1	1
11		40163X002	Screw, Phillips Round Head (#10-32 x 1/2")	1	1
12		1027097	Plug Button, Black (3/4")	1	1
13		1006490	Tip, Plastic, Black	1	1
14		1040060	Tip, Plastic, Black	1	1
15		1037126	Handle, Release	1	1
16		1049527	Washer, Nylon (3/8 x 3/4 x 1/16")	1	2
17		1022866-NLA	NLA - Screw, Socket Button Head (3/8-16 x 3/4")	1	2
18		40363X000	Hex Nut (3/8"-16)	1	3
19		1022846-NLA	NLA - Bar, Link, Black	1	1
20		1022877-NLA	NLA - Tube, Support and Drive Link, Chrome - Right	1	1
20		1022878-NLA	NLA - Tube, Support and Drive Link, Chrome - Left	1	1
21		1022854-NLA	NLA - Screw, Shoulder Slotted Head (1/2 x 1-1/8", 3/8-16)	1	1
22		10261X000	Nut, Acorn (5/16-24)	1	1
23		04528X002	Bracket, Release, Black	1	1
24		1040831	Ring, Snap	1	1
25		47328X003	Bushing, Pivot (5/16 x 7/16 x 7/8")	1	2
26		42326X004	Bar, Ratchet - Right/Left	1	1
27		1037485	Spring, Release	1	1
28		1037125	Cam, Legrest	1	1
29		1013519	Washer, Nylon (5/16 x 11/16 x 1/16")	1	1
30		1024911-NLA	NLA - Decal, Smartleg	1	1
31		1014807	Screw, Hex Head (5/16-24 x 3-1/4")	1	1
32		48823X008	Spring, Leaf	1	1
33		47328X003	Bushing, Pivot (5/16 x 7/16 x 7/8")	1	1
34		1025133	Spacer, Legrest Pad, Black	1	1
35		04526X019	Plate, Legrest Pad	1	1

PHAL4A (Hemi) Articulating Legrest Supports (Pin Style)

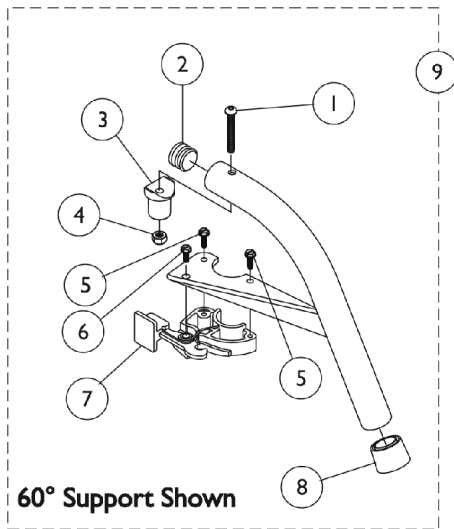
Legrest Support does not include Legrest Pad

Item Number	Note	Part Number	Description	Quantity Per	
				Package	Assembly
36		60264X001	Locknut (5/16-24)	1	1
37		1025104	Bracket, Legrest, Chrome	1	1
38		11232X009	Bolt, Lug (5/16-24 x 1-3/8")	1	1
39		1022848	Tube, Slide, Articulating, Chrome - Right	1	1
39		1022849	Tube, Slide, Articulating, Chrome - Left	1	1
40		1027377	Washer (#20)	1	1
41		1107321	Nut, Low Cap (5/16"-24)	1	1
42	E,A	8881091764	Pad, Legrest, Vinyl - Right/Left	1	1
43	D	1068649	Hardware, Legrest Pad	1	1
			Screw, Phillips Pan Head (#10-32 x 11/16")	1	2
			Screw, Phillips Pan Head (#10-32 x 1")	1	2
			Instruction Sheet, Legrest Pad Mtg.	1	1
NOTE: A - Specify upholstery color U67 black when ordering. B - Includes items 3-41 C - No Longer Available individually. See part # 1114761 for replacement. D - Item Includes Screws and Instruction Sheet. E - Includes items 3-9.					

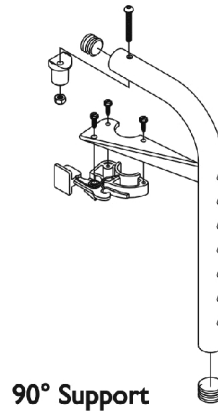
Footrest Support Assemblies

Swingaway 60°, 70°, and 90° (Center Pivot)

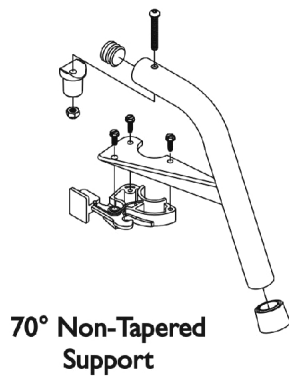
Available only on Rear Wheel Drive chairs



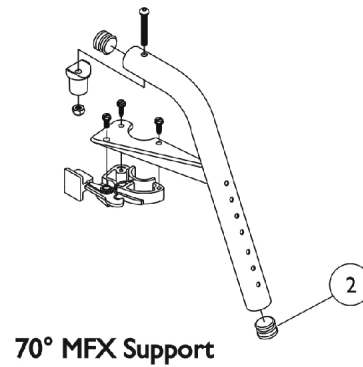
60° Support Shown



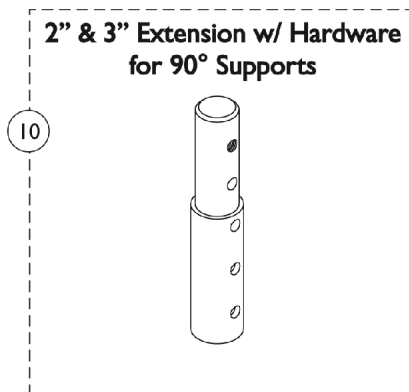
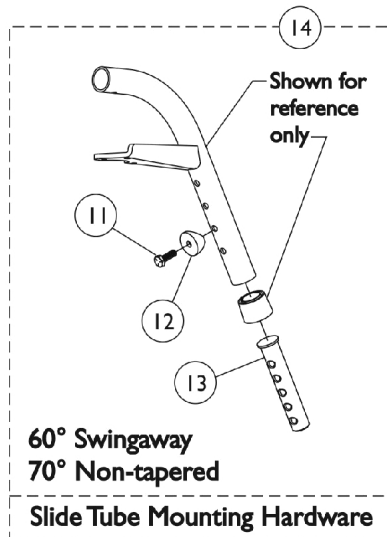
90° Support



70° Non-Tapered Support



70° MFX Support



2" & 3" Extension w/ Hardware for 90° Supports

Footrest Support Assemblies Swingaway 60°, 70°, and 90° (Center Pivot)

Available only on Rear Wheel Drive chairs

Item Number	Note	Part Number	Description	Quantity Per	
				Package	Assembly
1		1001762	Screw, Socket Button Head (1/4-20 x 1-3/4")	1	1
2		1056328	Plug Button, Black (1")	1	1
3		1017148	Pivot, Footrest	1	1
4		1025736	Locknut (1/4-20)	1	1
5		1025451	Screw, Slotted Hex Washer Head (#10-32 x 5/8")	1	2
6		1017423	Screw, Slotted Hex Washer Head w/ Patch (#10-32 x 1/2")	1	1
7		1025454	Housing, Latch - Right	1	1
7		1025455	Housing, Latch - Left	1	1
8		1026124	Collar, Anti-Rattle	1	1
9	A,B	See Chart	#9 Footrest Support Assemblies (60°, 70°, and 90°)	1	1
10		1118544	Kit, Extension w/ Hardware (2")	1	1
10		8881038231	Kit, 3" Extension w/ Hardware (Pair)	1	1
11		1045267	Screw, Hex Head w/ Patch (1/4-20 x 3/4")	1	1
12		1026099	Spacer, Coved (1/4 x 11/16 x 1/2")	1	1
13	E	1020534	Insert, Threaded	1	1
14	D	1026703	Kit, Pivot/Slide Tube Mounting Hardware (Pair)	1	1
	C	1026987	Guard, Impact (8" L)	1	1

NOTE: A - Specify frame finish when ordering.
 B - Includes footrest support and items 1-8.
 C - Not Shown. For 70 deg. Tapered Footrest.
 D - Includes items 11-13
 E - As of 8/15/03, the Threaded Insert was revised from 3 to 5 Holes. Threaded Insert is Backward Compatible and does not require ordering in Pairs.

#9 Footrest Support Assemblies (60°, 70°, and 90°)

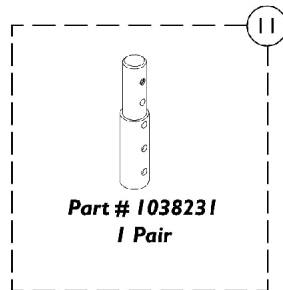
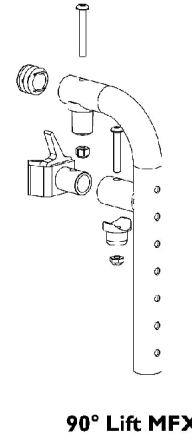
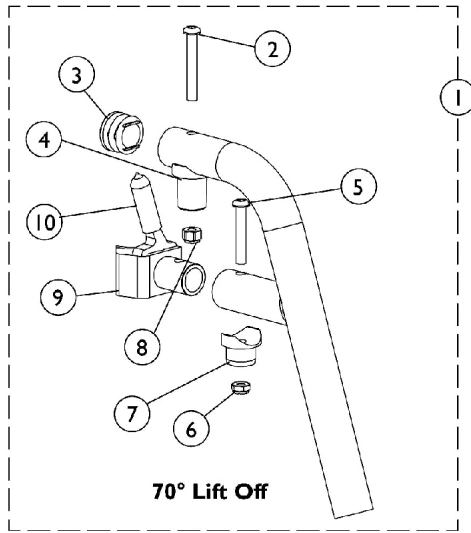
Includes footrest support and items 1-8

Footrest Support Style	60° Swingaway	70° Non Tapered	70° MFX	90° Swingaway
Right	8881026992	8881026994	8881047481	8881062596
Left	8881026993	8881026995	8881047480	8881062597

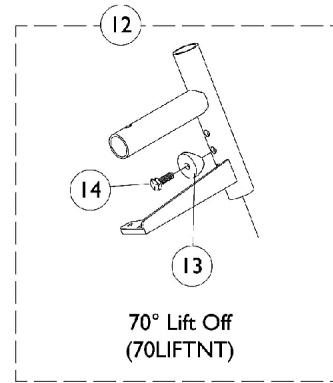
Specify frame finish when ordering

Lift Off Footrest Support Assemblies

70° and 90°



**3" Extension w/ Hdwr.
for 90 degree Supports**



Slide Tube Mounting Hardware

Lift Off Footrest Support Assemblies 70° and 90°

Item Number	Note	Part Number	Description	Quantity Per	
				Package	Assembly
1	A,B	See Chart	#1 Lift Off Footrest Support Assemblies (70° and 90°)	1	1
2		1001762	Screw, Socket Button Head (1/4-20 x 1-3/4")	1	1
3		1029501	Plug Button, Black (1")	1	1
4		1017148	Pivot, Footrest	1	1
5		1083099	Screw, Socket Button Head (1/4-28 x 1-1/2")	1	1
6		1025765	Locknut (1/4-28)	1	1
7		1128273	Pivot	1	1
8		1025736	Locknut (1/4-20)	1	1
9	C	1128283	Latch Assembly, Black - Right	1	1
9	C	1128284	Latch Assembly, Black - Left	1	1
10		1129492	Package, Tip, Plastic, Black	10	1
11	A	8881038231	Kit, 3" Extension w/ Hardware (Pair)	2	1
12	D	1028004	Kit, Pivot Slide Tube Mounting Hardware (Pair)	2	1
13		1026099	Spacer, Coved (1/4 x 11/16 x 1/2")	1	2
14		1045267	Screw, Hex Head w/ Patch (1/4-20 x 3/4")	1	1

NOTE: A - Specify frame finish when ordering.
 B - Includes Footrest Support and items 2-10
 C - Includes item 10, Protective Tip
 D - Includes items 13-14

#1 Lift Off Footrest Support Assemblies (70° and 90°)

Includes Footrest Support and items 2-9

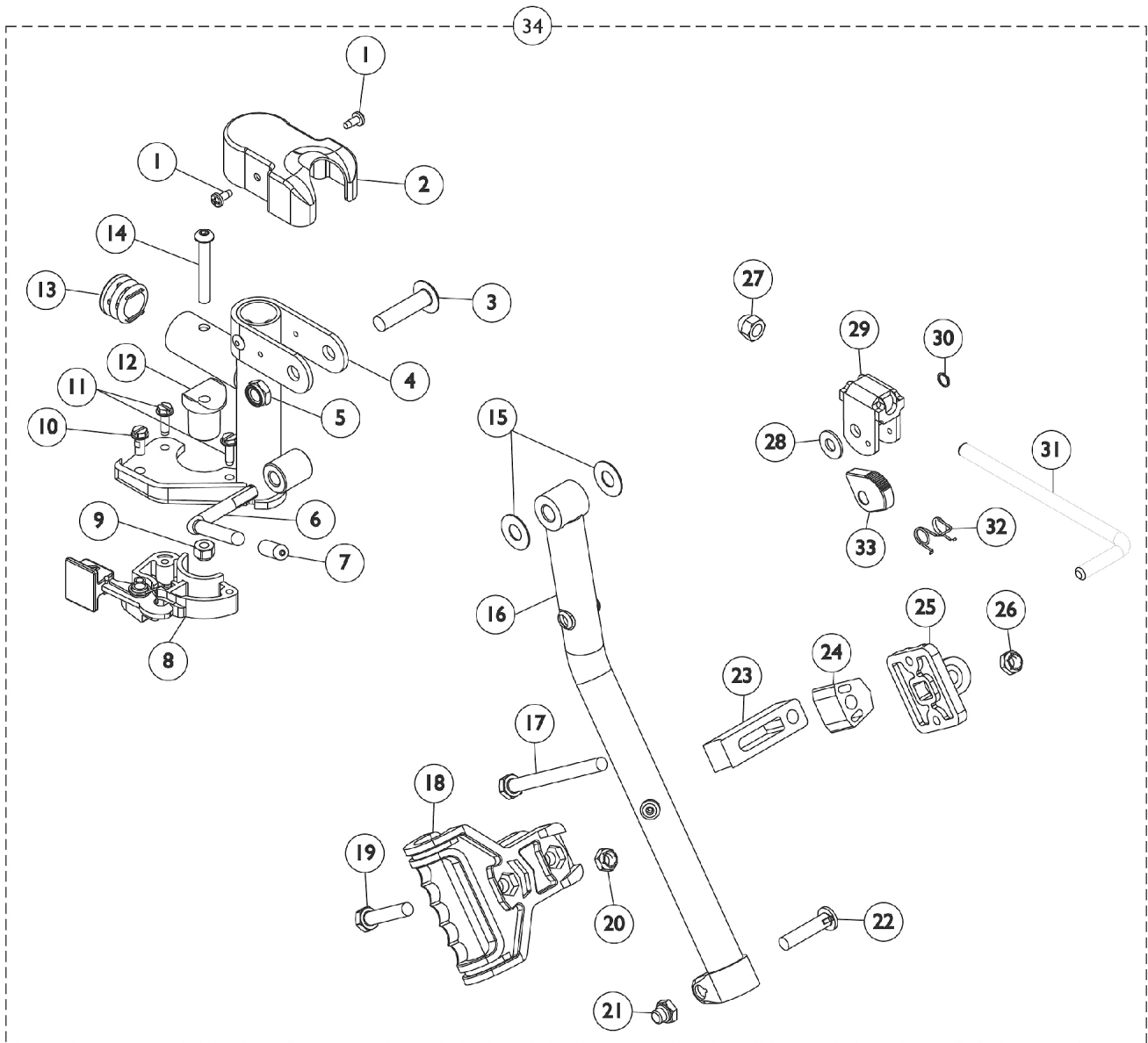
Footrest Support	70°	90° MFX
Right	8881128286	8881128829
Left	8881128287	8881128830

Specify frame finish when ordering

Legrest Support Assembly - AT5044

Ratchet Style (Before 9/21/05)

Specify frame finish when ordering. Legrest Support does not include Legrest Pad. Available only on Rear Wheel Drive chairs



Legrest Support Assembly - AT5044

Ratchet Style (Before 9/21/05)

Specify frame finish when ordering. Legrest Support does not include Legrest Pad. Available only on Rear Wheel Drive chairs

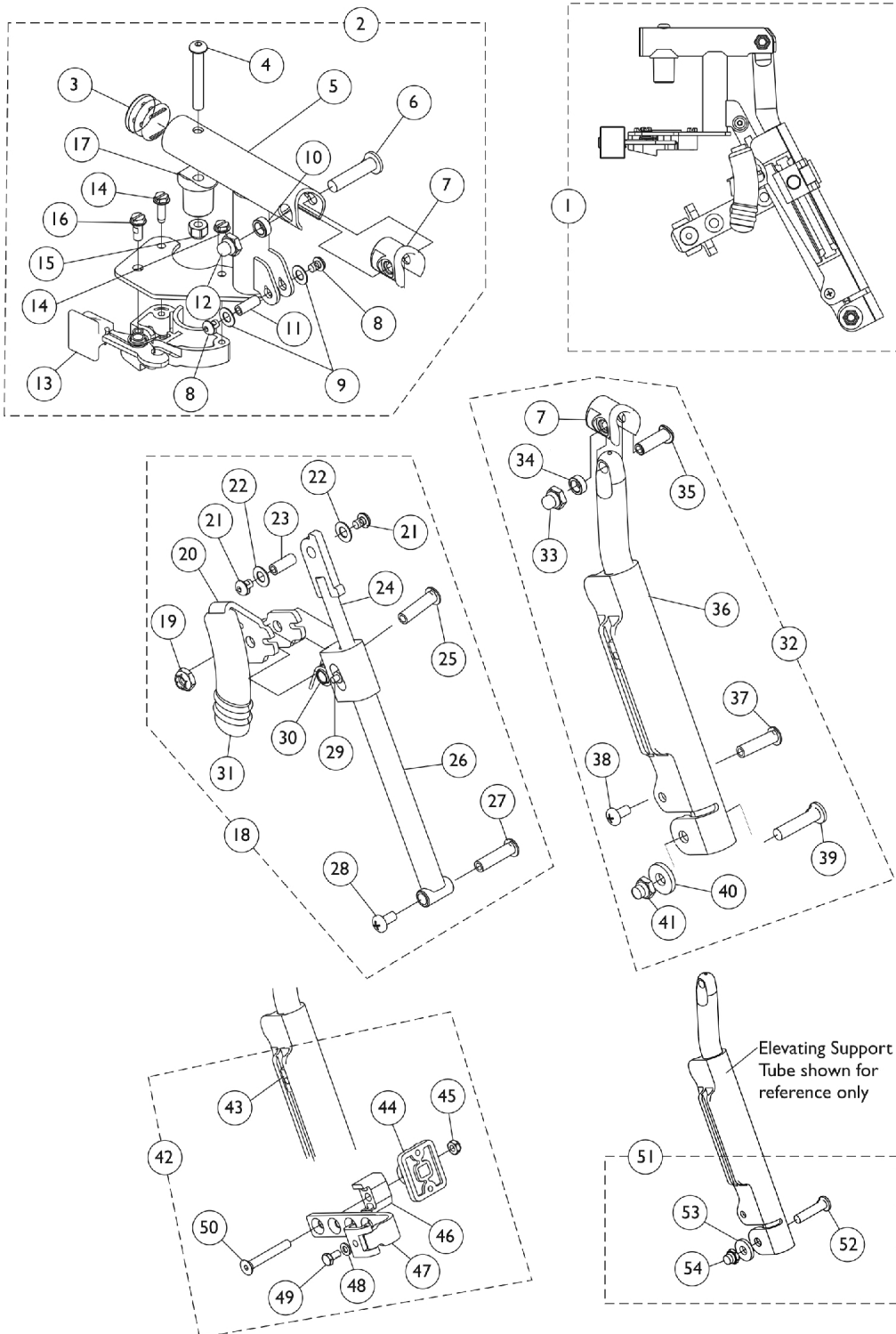
Item Number	Note	Part Number	Description	Quantity Per	
				Package	Assembly
1		1025729	Screw, Phillips Pan Head Tap (#8-32 x 3/8")	1	2
2		1017187	Cover, Top	1	1
3		11919X000-NLA	NLA - Screw, Slotted Truss Head (3/8-16 x 1-1/2")	1	1
4		8881045289	Bracket, Legrest Support, Color - Right	1	1
4		8881045290	Bracket, Legrest Support, Color - Left	1	1
5		40363X000	Hex Nut (3/8"-16)	1	1
6		1037126	Handle, Release	1	1
7		1040060	Tip, Plastic, Black	1	1
8		1025454	Housing, Latch - Right	1	1
8		1025455	Housing, Latch - Left	1	1
9		1025736	Locknut (1/4-20)	1	1
10		1017423	Screw, Slotted Hex Washer Head w/ Patch (#10-32 x 1/2")	1	1
11		1025451	Screw, Slotted Hex Washer Head (#10-32 x 5/8")	1	2
12		1017148	Pivot, Footrest	1	1
13		1029501	Plug Button, Black (1")	1	1
14		1001762	Screw, Socket Button Head (1/4-20 x 1-3/4")	1	1
15		1058636-NLA	NLA - Washer, Nylon (25/64 x 7/8 x 1/32")	1	2
16		8881048851	Tube, Elevating Adjustable Support, Color - Right	1	1
16		8881048852	Tube, Elevating Adjustable Support, Color - Left	1	1
17		1037110	Screw, Hex Head (5/16-24 x 3-1/2")	1	1
18		1032266	Bracket, Legrest Pad Mounting, Black	1	1
19		1028514	Screw, Hex Head (5/16-24 x 1-1/2")	1	1
20		1025730	Locknut (5/16-24)	1	1
21		1107321	Nut, Low Cap (5/16"-24)	1	1
22		1026030	Bolt, Lug (5/16-24 x 1-3/8")	1	1
23		1032267	Spacer, Legrest Pad Mounting, Black	1	1
24		1025133	Spacer, Legrest Pad, Black	1	1
25		04526X019	Plate, Legrest Pad	1	1
26		1025730	Locknut (5/16-24)	1	1
27		10261X000	Nut, Acorn (5/16-24)	1	1
28		1013519	Washer, Nylon (5/16 x 11/16 x 1/16")	1	1
29		04528X002	Bracket, Release, Black	1	1
30		1040831	Ring, Snap	1	1
31		42326X001	Bar, Ratchet	1	1
32		1037485	Spring, Release	1	1
33		1037125	Cam, Legrest	1	1
34	A	8881045291	Legrest Support Assembly, Sector, Color - Right	1	1
34	A	8881045292	Legrest Support Assembly, Sector, Color - Left	1	1

NOTE: A - Includes Items 1-33

Legrest Support Assembly - AT5044

Wedge Style ("D" shaped tubing) Introduced 9/21/05

Specify frame finish when ordering. Legrest Support does not include Legrest Pad.



Legrest Support Assembly - AT5044

Wedge Style ("D" shaped tubing) Introduced 9/21/05

Specify frame finish when ordering. Legrest Support does not include Legrest Pad.

Item Number	Note	Part Number	Description	Quantity Per	
				Package	Assembly
1	A,G	8881128698	Legrest Support Assembly, Sector, Color - Right	1	1
1	A,G	8881128699	Legrest Support Assembly, Sector, Color - Left	1	1
2	B,G	8881130747	Legrest Support Tube Assembly, Sector, Color - Right	1	1
3			Plug Button, Black (1")	1	1
4			Screw, Socket Button Head (1/4-20 x 1-3/4")	1	1
5			Tube, Legrest Support, Sector, Color - Right	1	1
6			Bolt, Lug (5/16-24 x 1-3/8")	1	1
7			Plug, Insert (7/8")	1	1
8			Screw, Socket Button Head w/ Patch (#10-32 x 1/4")	1	2
9			Washer (1/4 x 1/2 x 1/32")	1	2
10			Spacer (5/16 x 1/2 x 3/16")	1	1
11			Spacer, Threaded (10-32 x 1/4 x 5/8")	1	1
12			Nut, Low Cap (5/16"-24)	1	1
13			Housing, Latch - Right	1	1
14			Screw, Slotted Hex Washer Head (#10-32 x 5/8")	1	2
15			Locknut (1/4-20)	1	1
16			Screw, Slotted Hex Washer Head w/ Patch (#10-32 x 1/2")	1	1
17			Pivot, Footrest	1	1
3		1140823	Package, Plug Button, Black (1")	10	1
2	B,G	8881130748	Legrest Support Tube Assembly, Sector, Color - Left	1	1
3			Plug Button, Black (1")	1	1
4			Screw, Socket Button Head (1/4-20 x 1-3/4")	1	1
5			Tube, Legrest Support, Sector, Color - Left	1	1
6			Bolt, Lug (5/16-24 x 1-3/8")	1	1
7			Plug, Insert (7/8")	1	1
8			Screw, Socket Button Head w/ Patch (#10-32 x 1/4")	1	2
9			Washer (1/4 x 1/2 x 1/32")	1	2
10			Spacer (5/16 x 1/2 x 3/16")	1	1
11			Spacer, Threaded (10-32 x 1/4 x 5/8")	1	1
12			Nut, Low Cap (5/16"-24)	1	1
13			Housing, Latch - Left	1	1
14			Screw, Slotted Hex Washer Head (#10-32 x 5/8")	1	2
15			Locknut (1/4-20)	1	1
16			Screw, Slotted Hex Washer Head w/ Patch (#10-32 x 1/2")	1	1
17			Pivot, Footrest	1	1
3		1140823	Package, Plug Button, Black (1")	10	1
18	C	1130749	Kit, Pivot Rod Assembly - Right	1	1

Legrest Support Assembly - AT5044

Wedge Style ("D" shaped tubing) Introduced 9/21/05

Specify frame finish when ordering. Legrest Support does not include Legrest Pad.

Item Number	Note	Part Number	Description	Quantity Per	
				Package	Assembly
19			Locknut (1/4-20)	1	1
20			Lever, Release - Right	1	1
21			Screw, Socket Button Head w/ Patch (#10-32 x 1/4")	1	2
22			Washer (1/4 x 1/2 x 1/32")	1	2
23			Spacer, Threaded (10-32 x 1/4 x 5/8")	1	1
24			Rod, Pivot	1	1
25			NLA - Screw, Socket Button Head (1/4-20 x 1-1/4")	1	1
26			Guide, Pivot Rod	1	1
27			Rivnut (10-32 x 1")	1	1
28			NLA - Screw, Phillips Pan Head w/Patch (#10-24 x 3/8")	1	1
29			Pin, Roller	1	1
30			Spring, Torsion	1	1
31			Cap, Brake Lever End, Black	1	1
31		1130584	Package, Cap, Brake Lever End, Black	10	1
18	C	1130750	Kit, Pivot Rod Assembly - Left	1	1
19			Locknut (1/4-20)	1	1
20			Lever, Release - Left	1	1
21			Screw, Socket Button Head w/ Patch (#10-32 x 1/4")	1	2
22			Washer (1/4 x 1/2 x 1/32")	1	2
23			Spacer, Threaded (10-32 x 1/4 x 5/8")	1	1
24			Rod, Pivot	1	1
25			NLA - Screw, Socket Button Head (1/4-20 x 1-1/4")	1	1
26			Guide, Pivot Rod	1	1
27			Rivnut (10-32 x 1")	1	1
28			NLA - Screw, Phillips Pan Head w/Patch (#10-24 x 3/8")	1	1
29			Pin, Roller	1	1
30			Spring, Torsion	1	1
31			Cap, Brake Lever End, Black	1	1
31		1130584	Package, Cap, Brake Lever End, Black	10	1
32	D,G	8881164115-NL A	NLA - Kit, Elevating Support Tube, Color - Right	1	1
7			Plug, Insert (7/8")	1	1
33			Locknut, Nylon Cap (5/16-24)	1	1
34			Spacer (5/16 x 1/2 x 3/16")	1	1
35			Screw, Lug (5/16-24 x 1-3/8")	1	1
36			Tube, Elevating Support, Color - Right	1	1
37			Rivnut, Phillips Pan Head (10-24 x 1")	1	1
38			Screw, Phillips Pan Head w/ Patch (10-24 x 3/8")	1	1
39			Screw, Lug (5/16-24 x 1-3/8")	1	1

Legrest Support Assembly - AT5044

Wedge Style ("D" shaped tubing) Introduced 9/21/05

Specify frame finish when ordering. Legrest Support does not include Legrest Pad.

Item Number	Note	Part Number	Description	Quantity Per	
				Package	Assembly
40			Washer (11/32 x 53/64 x 1/8")	1	1
41			Locknut, Nylon Cap (5/16-24)	1	1
32	D,G	8881164116-NL A	NLA - Kit, Elevating Support Tube, Color - Left	1	1
7			Plug, Insert (7/8")	1	1
33			Locknut, Nylon Cap (5/16-24)	1	1
34			Spacer (5/16 x 1/2 x 3/16")	1	1
35			Screw, Lug (5/16-24 x 1-3/8")	1	1
36			Tube, Elevating Support, Color - Left	1	1
37			Rivnut, Phillips Pan Head (10-24 x 1")	1	1
38			Screw, Phillips Pan Head w/ Patch (10-24 x 3/8")	1	1
39			Screw, Lug (5/16-24 x 1-3/8")	1	1
40			Washer (11/32 x 53/64 x 1/8")	1	1
41			Locknut, Nylon Cap (5/16-24)	1	1
42	F	1130754	Kit, Legrest Pad Hardware	1	1
43			T-Nut (1/4-20)	1	1
44			Plate, Legrest Pad	1	1
45			Locknut (5/16-18)	1	1
46			Spacer, Legrest Pad, Black	1	1
47			Bracket Assembly, Adjustable Legrest Pad, Color	1	1
48			NLA - Washer, Steel (1/4 x 1/2 x 3/64")	1	1
49			Screw, Hex Head w/ Patch (1/4-20 x 1/2")	1	1
50			Screw, Socket Flat Head (5/16-18 x 2-1/4")	1	1
51	E	1130753	Kit, Pivot Slide Tube Attaching Hardware	1	1
52			Screw, Lug (5/16-24 x 1-3/8")	1	1
53			Washer (11/32 x 53/64 x 1/8")	1	1
54			Locknut, Nylon Cap (5/16-24)	1	1
	H	1151367	Kit, Housing Latch Handle w/Hardware - Right	1	1
13			Housing, Latch - Right	1	1
14			Screw, Slotted Hex Washer Head (#10-32 x 5/8")	1	2
16			Screw, Slotted Hex Washer Head w/ Patch (#10-32 x 1/2")	1	1
	H	1151368	Kit, Housing Latch Handle w/Hardware - Left	1	1
13			Housing, Latch - Left	1	1
14			Screw, Slotted Hex Washer Head (#10-32 x 5/8")	1	2
16			Screw, Slotted Hex Washer Head w/ Patch (#10-32 x 1/2")	1	1

Legrest Support Assembly - AT5044

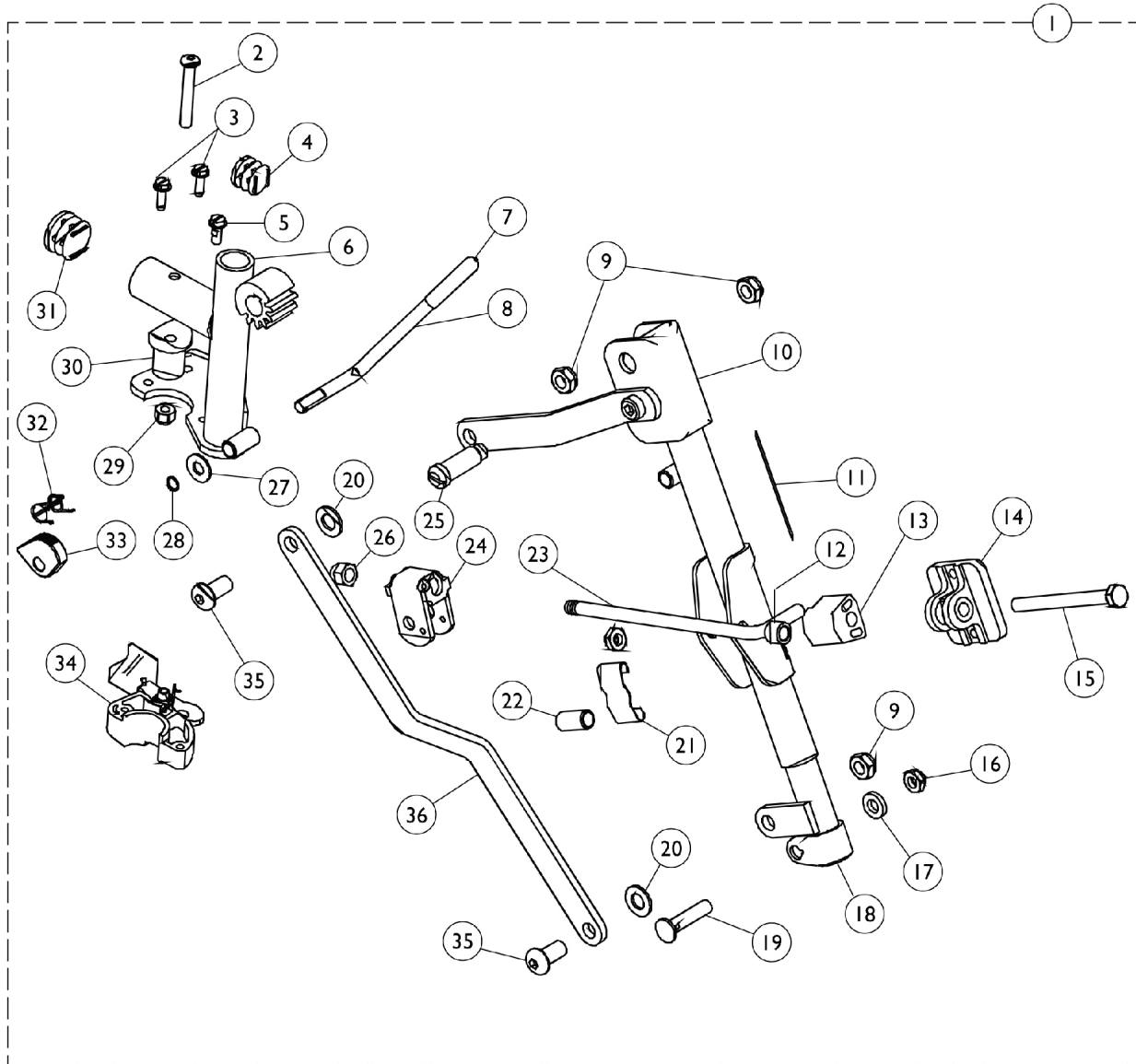
Wedge Style ("D" shaped tubing) Introduced 9/21/05

Specify frame finish when ordering. Legrest Support does not include Legrest Pad.

NOTE: A - Includes items 2,18,32, & 42
B - Includes items 3-17
C - Includes items 19-31
D - Includes items 7 and 33-41
E - Includes items 52-54
F - Includes items 43-50
G - Specify frame finish when ordering
H - Includes items 13, 14 and 16.

Articulating Legrest Support - ATL4A (Center Pivot)

Legrest Support does not include Legrest Pad. Available only on Rear Wheel Drive chairs



Articulating Legrest Support - ATL4A (Center Pivot)

Legrest Support does not include Legrest Pad. Available only on Rear Wheel Drive chairs

Item Number	Note	Part Number	Description	Quantity Per	
				Package	Assembly
1		1082540	Articulating Legrest Support Assembly, Sector, Chrome - Right	1	1
1		1082541	Articulating Legrest Support Assembly, Sector, Chrome - Left	1	1
2		7930301-NLA	NLA - Package, Button Head Cap Screw (1/4-20 x 1-3/4")	25	1
3		1025451	Screw, Slotted Hex Washer Head (#10-32 x 5/8")	1	2
4		1027097	Plug Button, Black (3/4")	1	1
5		7930314	Package, Screw, Slotted Hex Washer Head (#10-32 x 1/2")	25	1
6		1082538-NLA	NLA - Tube, Legrest Support, Articulating, Sector, Chrome - Right	1	1
6		1082539-NLA	NLA - Tube, Legrest Support, Articulating, Sector, Chrome - Left	1	1
7		1040060	Tip, Plastic, Black	1	1
8		1037126	Handle, Release	1	1
9		40363X000	Hex Nut (3/8"-16)	1	3
10		1022877-NLA	NLA - Tube, Support and Drive Link, Chrome - Right	1	1
10		1022878-NLA	NLA - Tube, Support and Drive Link, Chrome - Left	1	1
11		1024911-NLA	NLA - Decal, Smartleg	1	1
12		47330X003	Spacer (5/16 x 1/2 x 3/8")	1	1
13		1025133	Spacer, Legrest Pad, Black	1	1
14		04526X019	Plate, Legrest Pad	1	1
15		1014807	Screw, Hex Head (5/16-24 x 3-1/4")	1	1
16		7930363-NLA	NLA - Package, Locknut (5/16"-24)	25	2
17		1027377	Washer (#20)	1	1
18		1022848	Tube, Slide, Articulating, Chrome - Right	1	1
18		1022849	Tube, Slide, Articulating, Chrome - Left	1	1
19		11232X009	Bolt, Lug (5/16-24 x 1-3/8")	1	1
20		1049527	Washer, Nylon (3/8 x 3/4 x 1/16")	1	2
21		48823X008	Spring, Leaf	1	1
22		47328X003	Bushing, Pivot (5/16 x 7/16 x 7/8")	1	1
23		42326X004	Bar, Ratchet - Right/Left	1	1
24		04528X002	Bracket, Release, Black	1	1
25		1022854-NLA	NLA - Screw, Shoulder Slotted Head (1/2 x 1-1/8", 3/8-16)	1	1
26		7930336-NLA	NLA - Nut, Acorn (5/16-24)	25	1
27		7930310-NLA	NLA - Washer, Nylon (5/16 x 11/16 x 1/16")	25	1
28		1037485	Spring, Release	1	1
29		7930333	Locknut (1/4-20)	25	1
30		1017148	Pivot, Footrest	1	1
31		1029501	Plug Button, Black (1")	1	1
32		1037485	Spring, Release	1	1

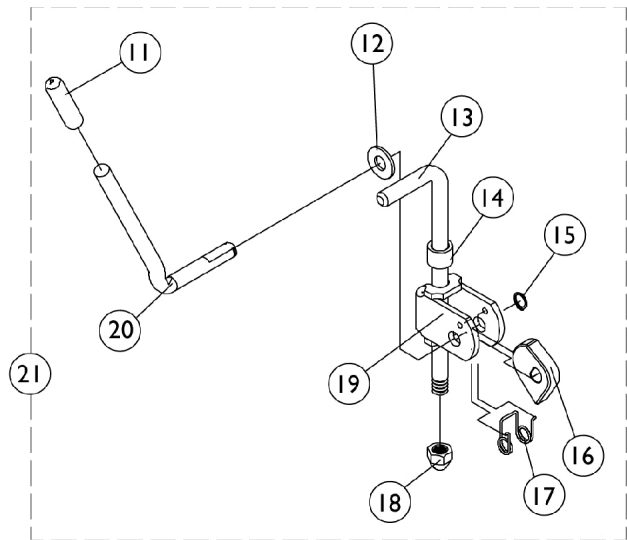
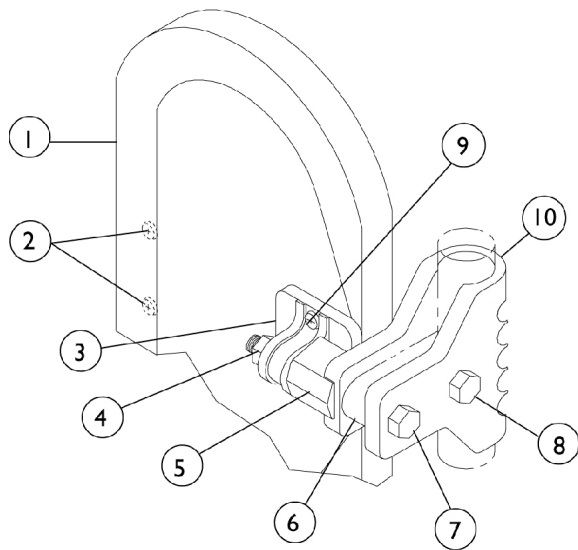
Articulating Legrest Support - ATL4A (Center Pivot)

Legrest Support does not include Legrest Pad. Available only on Rear Wheel Drive chairs

Item Number	Note	Part Number	Description	Quantity Per	
				Package	Assembly
33		1037125	Cam, Legrest	1	1
34		1025454	Housing, Latch - Right	1	1
34		1025455	Housing, Latch - Left	1	1
35		1022866-NLA	NLA - Screw, Socket Button Head (3/8-16 x 3/4")	1	2
36		1022846-NLA	NLA - Bar, Link, Black	1	1

Legrest Calf Pads and Ratchet Assembly

Legrest Support does not include Legrest Pad. Due to a change to the Legrest Calf Pad size made on 4/23/12, you must also order the hardware kit (1066591) when ordering replacement Calf Pads.



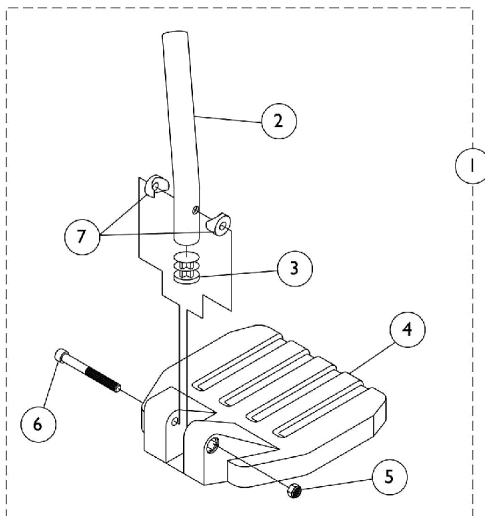
Legrest Calf Pads and Ratchet Assembly

Legrest Support does not include Legrest Pad. Due to a change to the Legrest Calf Pad size made on 4/23/12, you must also order the hardware kit (1066591) when ordering replacement Calf Pads.

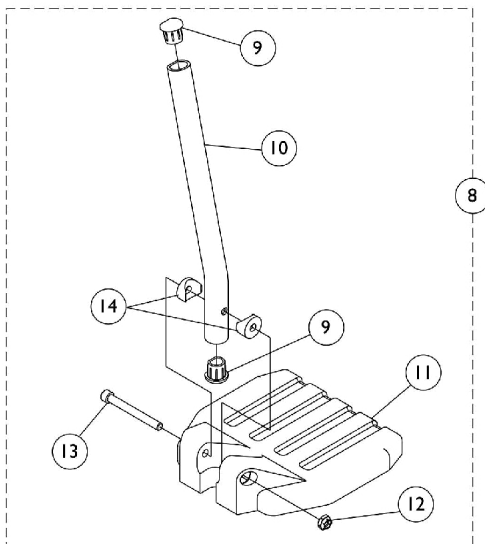
Item Number	Note	Part Number	Description	Quantity Per	
				Package	Assembly
1	A,B,I	88804529X003	Pad, Legrest, Vinyl - Right	1	1
1	A,B,I	88804529X004	Pad, Legrest, Vinyl - Left	1	1
1	A,C,G,I	8881091764	Pad, Legrest, Vinyl - Right/Left	1	1
2		40163X006-NLA	NLA - Screw, Phillips Pan Head (#10-14 x 1/16")	1	1
3		04526X019	Plate, Legrest Pad	1	1
4		1025730	Locknut (5/16-24)	1	1
5		1025133	Spacer, Legrest Pad, Black	1	1
6		1032267	Spacer, Legrest Pad Mounting, Black	1	1
7		1037110	Screw, Hex Head (5/16-24 x 3-1/2")	1	1
8		1028514	Screw, Hex Head (5/16-24 x 1-1/2")	1	1
9	H	1066591	Hardware, Legrest Pad	1	1
			Screw, Phillips Pan Head (#10-32 x 11/16")	1	2
			Screw, Phillips Pan Head (#10-32 x 1")	1	2
			Instruction Sheet, Legrest Pad Mtg.	1	1
10		1032266	Bracket, Legrest Pad Mounting, Black	1	1
11		1040060	Tip, Plastic, Black	1	2
12		1013519	Washer, Nylon (5/16 x 11/16 x 1/16")	1	2
13	D	42326X004	Bar, Ratchet - Right/Left	1	2
13	E	42326X001	Bar, Ratchet	1	2
14		47330X003	Spacer (5/16 x 1/2 x 3/8")	1	2
15		1040831	Ring, Snap	1	2
16		1037125	Cam, Legrest	1	2
17		1037485	Spring, Release	1	2
18		10261X000	Nut, Acorn (5/16-24)	1	2
19		04528X002	Bracket, Release, Black	1	2
20		1037126	Handle, Release	1	2
21	D,G	1046329	Kit, Elevating Legrest Ratchet Hardware (Pair)	2	1
21	E,G	1096974	Kit, Elevating Legrest Ratchet Hardware (Pair)	2	1
	D,F,J	1042798-NLA	NLA - Instruction Sheet, Ratchet Kit	1	1
	E,F,K	1096943-NLA	NLA - Instruction Sheet, Ratchet Kit	1	1

NOTE: A - Specify U67 upholstery color when ordering.
 B - 14-15" wide chairs
 C - 16-22" wide chairs
 D - ATL4A Articulating Legrests
 E - Used only on Ratchet Style AT5044 Elevating Legrests
 F - Not Shown
 G - Includes items 11-20 plus instruction sheet
 H - Item includes Screws and Instruction Sheet.
 I - Legrest Support does not include Legrest Pad. Due to a change to the Legrest Calf Pad size made on 4/23/12, you must also order the hardware kit (1066591) when ordering replacement Calf Pads.
 J - Item is no longer available from the Invacare Service Parts Department. Refer to the Invacare Website under "Product Literature Search". Enter the part number in the "Keywords" field and download a free PDF version copy.
 K - Item is no longer available from the Invacare Service Parts Department. Refer to the Invacare Website under "Product Literature Search". Enter the part number in the "Keywords" field and download a free PDF version copy.

Pivot Tube w/ Footplate Assemblies - 1651 Composite



**Used on all front riggings except
Wedge Style Elevating Legrests AT5044**



Used on Wedge Style Elevating Legrests AT5044

Pivot Tube w/ Footplate Assemblies - 1651 Composite

Item Number	Note	Part Number	Description	Quantity Per	
				Package	Assembly
1	A	See Chart	#1 PHW93 Footrests	1	1
1	A	See Chart	#1 PH904A Legrests	1	1
1	A	See Chart	#1 60° Footrests (9-3/4-14")	1	1
1	A	See Chart	#1 70° Non Tapered Footrest (14-19")	1	1
1	A	See Chart	#1 AT5044 Elevating Legrest - Ratchet Style (16-20")	1	1
2	B	1057852	Tube, Pivot/Slide, Curved End, Steel, Black (9-7/8")	1	1
2	C	1120382	Tube, Pivot/Slide, Curved End, Black - Long (9-7/8")	1	1
2	D	1120389	Tube, Pivot/Slide, Straight, Black - Long (9-7/8")	1	1
2	E	1120390	Tube, Pivot/Slide, Straight, 2" Longer ALPT, Black (11-7/8")	1	1
2	F	1120391	Tube, Pivot/Slide, Curved End, 2" Longer ALPT, Black (11-7/8")	1	1
3		1134426	Package, Plug Button, Black (3/4")	10	1
4		1026879	Footplate, Composite, Small, Black (6" W x 6" L)	1	1
4		1026880	Footplate, Composite, Medium, Black (7" W x 6" L)	1	1
4		1026881	Footplate, Composite, Large, Black (8" W x 6" L)	1	1
5		1025195	Locknut (1/4-20)	1	1
6		60285X006	Screw, Socket Head (1/4-20 x 2-1/4")	1	1
7		1025457	Spacer, Coved (1/4 x 3/4 x 11/32")	1	2
8	G	See Chart	#8 AT5044 Elevating Legrest - Wedge Style (16-20")	1	1
9		1134427	Package, Plug Button, Black, "D" Shaped (3/4")	10	1
10	H	1134428	Pivot/Slide Tube w/ D Insert, Black	1	1
10	H	1134429	Pivot/Slide Tube w/ D Insert, Black (2" Longer)	1	1
11		1026879	Footplate, Composite, Small, Black (6" W x 6" L)	1	1
11		1026880	Footplate, Composite, Medium, Black (7" W x 6" L)	1	1
11		1026881	Footplate, Composite, Large, Black (8" W x 6" L)	1	1
12		1025195	Locknut (1/4-20)	1	1
13		60285X006	Screw, Socket Head (1/4-20 x 2-1/4")	1	1
14		1025457	Spacer, Coved (1/4 x 3/4 x 11/32")	1	2

NOTE: A - Includes items 2-7
 B - PHW93 Footrests
 C - PH904A Legrest, 60° Footrest, and AT5044 Ratchet Style Legrest
 D - 70° Non-Tapered Footrest
 E - PHW93 w/ ALPT, PH904A w/ ALPT, 70° Non-Tapered Footrest w/ ALPT
 F - AT5044 Ratchet Style Legrest w/ ALPT
 G - Includes items 9-14
 H - AT5044 Wedge Style Legrest

Pivot Tube w/ Footplate Assemblies - 1651 Composite

#1 PHW93 Footrests

Right/Left	Small Short 14" W	Small 2" Longer 14" W	Medium Short 15-16" W	Medium 2" Longer 15-16" W	Large Short 17-22" W	Large 2" Longer 17-22" W
Right	1057859	1120410	1057869	1120412	1057879	1120414
Left	1057860	1120411	1057870	1120413	1057880	1120415

#1 PH904A Legrests

Right/Left	Small Short 14" W	Small 2" Longer 14" W	Medium Short 15-16" W	Medium 2" Longer 15-16" W	Large Short 17-22" W	Large 2" Longer 17-22" W
Right	1028391	1120410	1028387	1120412	1028383	1120414
Left	1028392	1120411	1028388	1120413	1028384	1120415

#1 60° Footrests (Curved End) 9-3/4 - 14" Curved End

Right/Left	Small Long 14" wide	Medium Long 15-16" wide	Large Long 17-22" wide
Right	1028391	1028387	1028383
Left	1028392	1028388	1028384

#1 70° Non Tapered; 70LIFTNT Footrest 14-19" Straight

Right/Left	Small Short 14" wide	Small 2" Longer 14" wide	Medium Short 15-16" wide	Medium 2" Longer 15-16" wide	Large Short 17-22" wide	Large 2" Longer 17-22" wide
Right	1120404	1120410	1120406	1120412	1120408	1120414
Left	1120405	1120411	1120407	1120413	1120409	1120415

Pivot Tube w/ Footplate Assemblies - 1651 Composite

#1 AT5044 Elevating Legrest - Ratchet Style

16-20"

Curved End

Right/Left	Small Long 14" wide	Small 2" Longer 14" wide	Medium Long 15-16" wide	Medium 2" Longer 15-16" wide	Large Long 17-22" wide	Large 2" Longer 17-22" wide
Right	1028391	1120416	1028387	1120418	1028383	1120420
Left	1028392	1120417	1028388	1120419	1028384	1120421

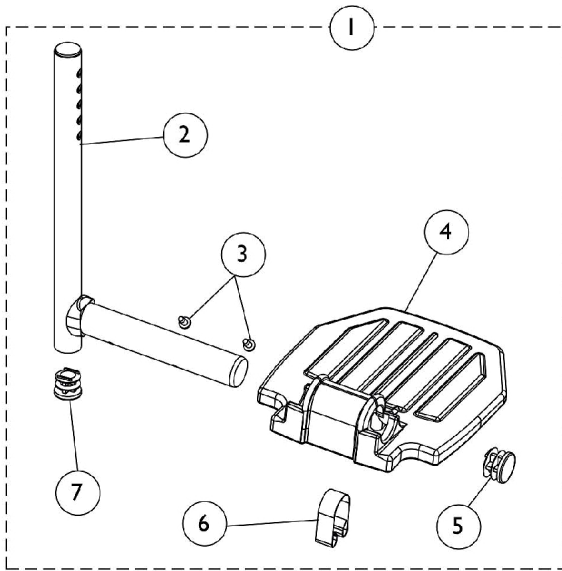
#8 AT5044 Elevating Legrest - Wedge Style

16-20"

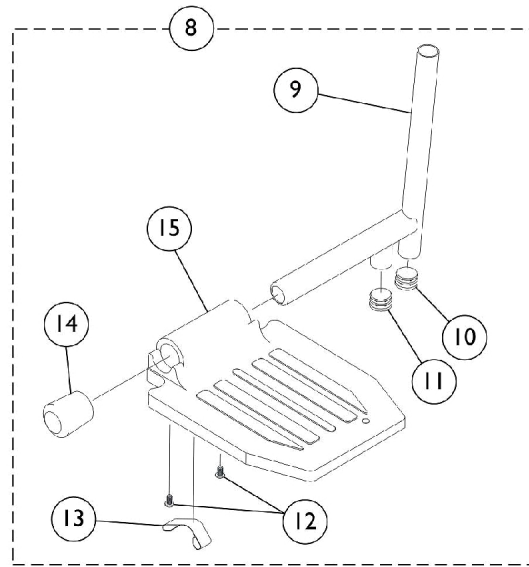
Curved End

Right/Left	Small Long 14" wide	Small 2" Longer 14" wide	Medium Long 15-16" wide	Medium 2" Longer 15-16" wide	Large Long 17-22" wide	Large 2" Longer 17-22" wide
Right	1132078	1132107	1132080	1132109	1132082	1132111
Left	1132079	1132108	1132081	1132110	1132083	1132112

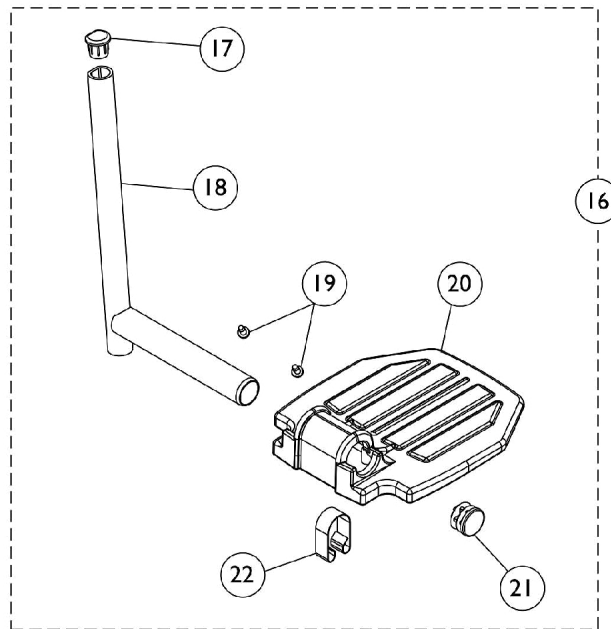
Pivot Tube w/ Footplate Assemblies - A1562 Aluminum



**PHW93, 60°, 70° Non-Tapered Footrests,
PH904A, and Ratchet Style AT5044 Legrests**



**PHAL4A and ATL4A
Articulating Legrests**



Wedge Style AT5044 Elevating Legrests

Pivot Tube w/ Footplate Assemblies - A1562 Aluminum

Item Number	Note	Part Number	Description	Quantity Per	
				Package	Assembly
1	A	See Chart	#1 Aluminum Footplate w/ Pivot Tube Assembly	1	1
2		1120330	Pivot/Slide Tube w/ Plug, Black	1	1
3		1025729	Screw, Phillips Pan Head Tap (#8-32 x 3/8")	1	2
4		44200X059	Footplate, Aluminum, Small, Black (6-3/4" W x 6" L)	1	1
4		44200X027	Footplate, Aluminum, Medium, Black (7-3/4" W x 6" L)	1	1
5		1130582	Package, Plug Button, Black (7/8")	10	1
6		1006981	Spring, Tension	1	1
7		1134426	Package, Plug Button, Black (3/4")	10	1
	D	1074568	Package, Push Plug, Footplate	2	1
8	B	See Chart	#8 Aluminum Footplate w/ Pivot Tube Assembly	1	1
9		1041526	Pivot/Slide Tube w/ Plug Button Assembly, Chrome	1	1
10		1134434	Package, Plug Button, Black (5/8")	10	1
11		1134426	Package, Plug Button, Black (3/4")	10	1
12		40120X001	Screw, Phillips Pan Head (#8-32 x 3/8")	1	2
13		1006981	Spring, Tension	1	1
14		1016346	Cap, End, Tube, Black (7/8")	1	1
15		44200X059	Footplate, Aluminum, Small, Black (6-3/4" W x 6" L)	1	1
15		44200X027	Footplate, Aluminum, Medium, Black (7-3/4" W x 6" L)	1	1
16	C	See Chart	#16 Aluminum Footplate w/ Pivot Tube Assembly	1	1
17		1134427	Package, Plug Button, Black, "D" Shaped (3/4")	10	1
18		1134431	Pivot/Slide Tube w/ Plug Buttons, Black	1	1
19		1025729	Screw, Phillips Pan Head Tap (#8-32 x 3/8")	1	2
20		44200X059	Footplate, Aluminum, Small, Black (6-3/4" W x 6" L)	1	1
20		44200X027	Footplate, Aluminum, Medium, Black (7-3/4" W x 6" L)	1	1
21		1130582	Package, Plug Button, Black (7/8")	10	1
22		1006981	Spring, Tension	1	1
NOTE: A - Includes items 2-7 B - Includes items 9-15 C - Includes items 17-22 D - Not Shown					

Pivot Tube w/ Footplate Assemblies - A1562 Aluminum

#1 Aluminum Footplate w/ Pivot Tube Assembly

PHW93, 60°, 70° Non-Tapered Footrests. PH904A and Ratchet Syle AT5044 Legrests

Description	Footplate Size	Chair Width	Right	Left
PHW93, 60°, 70° Non-Tapered Footrests. PH904A and Ratchet Syle AT5044 Legrests	Small	14-15"	1120335	1120336
PHW93, 60°, 70° Non-Tapered Footrests. PH904A and Ratchet Syle AT5044 Legrests	Medium	16-22"	1120337	1120338

#8 Aluminum Footplate w/ Pivot Tube Assembly

PHAL4A & ATL4A Articulating Legrest

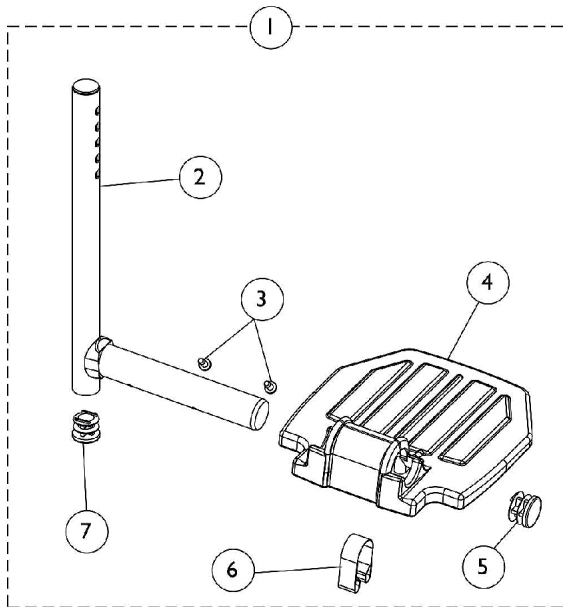
Description	Footplate Size	Chair Width	Right	Left
PHAL4A & ATL4A Articulating Legrest	Small	14-16"	1023905-NLA	1023906-NLA
PHAL4A & ATL4A Articulating Legrest	Medium	17-22"	1023907	1023908

#16 Aluminum Footplate w/ Pivot Tube Assembly

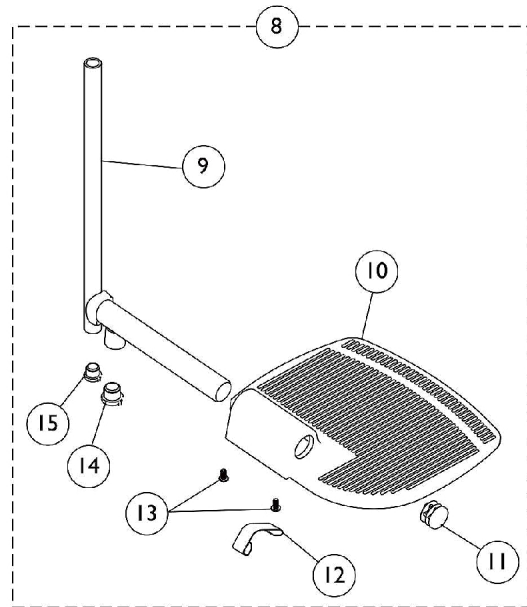
Wedge Style AT5044 Elevating Legrests

Footplate Size	Chair Width	Right	Left
Small	14-15"	1132113	1132114
Medium	16-22"	1132073	1132074

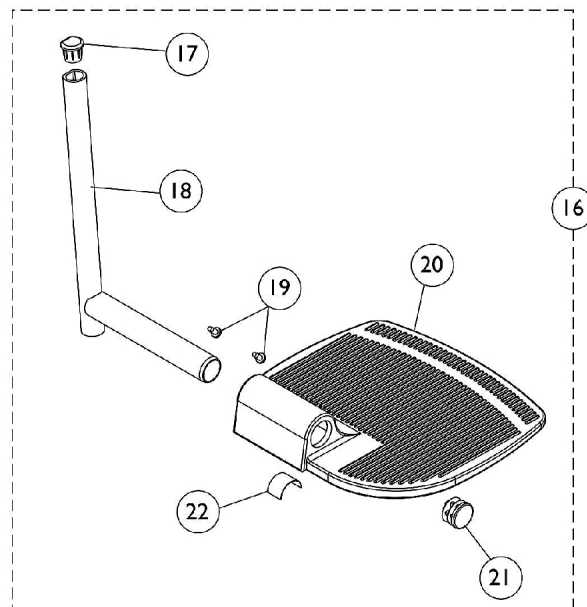
Pivot Tube w/ Footplate Assemblies - A1564 Extra Large Aluminum



**PHW93, 60°, 70° Non Tapered Footrests
and PH904A, Ratchet Style AT5044 Legrests**



PHAL4A and ATL4A Articulating Legrests



Wedge Style AT5044 Elevating Legrests

Pivot Tube w/ Footplate Assemblies - A1564 Extra Large Aluminum

Item Number	Note	Part Number	Description	Quantity Per	
				Package	Assembly
1	A	See Chart	#1 Extra Large Aluminum Footplate w/ Pivot Tube Assembly	1	1
2		1120330	Pivot/Slide Tube w/ Plug, Black	1	1
3		1025729	Screw, Phillips Pan Head Tap (#8-32 x 3/8")	1	2
4		44200X025	Footplate, Aluminum, Extra Large, Black - Right (8" W x 8-1/2" L)	1	1
4		44200X026	Footplate, Aluminum, Extra Large, Black - Left (8" W x 8-1/2" L)	1	1
5		1130582	Package, Plug Button, Black (7/8")	10	1
6		1006981	Spring, Tension	1	1
7		1134426	Package, Plug Button, Black (3/4")	10	1
8	B	See Chart	#8 Extra Large Aluminum Footplate w/ Pivot Tube Assembly	1	1
9		1041526	Pivot/Slide Tube w/ Plug Button Assembly, Chrome	1	1
10	D	1002343	Footplate, Aluminum, Extra Large, Black - Right (7" W x 8-1/2" L)	1	1
10	D	1002344	Footplate, Aluminum, Extra Large, Black - Left (7" W x 8-1/2" L)	1	1
10	E	44200X025	Footplate, Aluminum, Extra Large, Black - Right (8" W x 8-1/2" L)	1	1
10	E	44200X026	Footplate, Aluminum, Extra Large, Black - Left (8" W x 8-1/2" L)	1	1
11		1130582	Package, Plug Button, Black (7/8")	10	1
12		1006981	Spring, Tension	1	1
13		40120X001	Screw, Phillips Pan Head (#8-32 x 3/8")	1	2
14		1134426	Package, Plug Button, Black (3/4")	10	1
15		1134434	Package, Plug Button, Black (5/8")	10	1
16	C	See Chart	#16 Extra Large Aluminum Footplate w/ Pivot Tube Assembly	1	1
17		1134427	Package, Plug Button, Black, "D" Shaped (3/4")	10	1
18		1134431	Pivot/Slide Tube w/ Plug Buttons, Black	1	1
19		1025729	Screw, Phillips Pan Head Tap (#8-32 x 3/8")	1	2
20		44200X025	Footplate, Aluminum, Extra Large, Black - Right (8" W x 8-1/2" L)	1	1
20		44200X026	Footplate, Aluminum, Extra Large, Black - Left (8" W x 8-1/2" L)	1	1
21		1130582	Package, Plug Button, Black (7/8")	10	1
22		1006981	Spring, Tension	1	1
NOTE: A - Includes items 2-7 B - Includes items 9-15 C - Includes items 17-22 D - Used only on ATL4A Articulating Legrest for 16" wide chairs E - Used on ATL4A Articulating Legrest for 17-22" wide chairs					

Pivot Tube w/ Footplate Assemblies - A1564 Extra Large Aluminum

#1 Extra Large Aluminum Footplate w/ Pivot Tube Assembly

PHW93, 60°, 70° Non-Tapered Footrests. PH904A and Ratchet Syle AT5044 Legrests

Description	Footplate Size	Chair Width	Right	Left
PHW93, 60°, 70° Non-Tapered Footrests. PH904A and Ratchet Syle AT5044 Legrests	Medium	16-22"	1120339	1120340

#8 Extra Large Aluminum Footplate w/ Pivot Tube Assembly

PHAL4A & ATL4A Articulating Legrest

Description	Footplate Size	Chair Width	Right	Left
PHAL4A & ATL4A Articulating Legrest	Small	16"	1035454-NLA	1035455-NLA
PHAL4A & ATL4A Articulating Legrest	Medium	17-22"	1035456	1035457

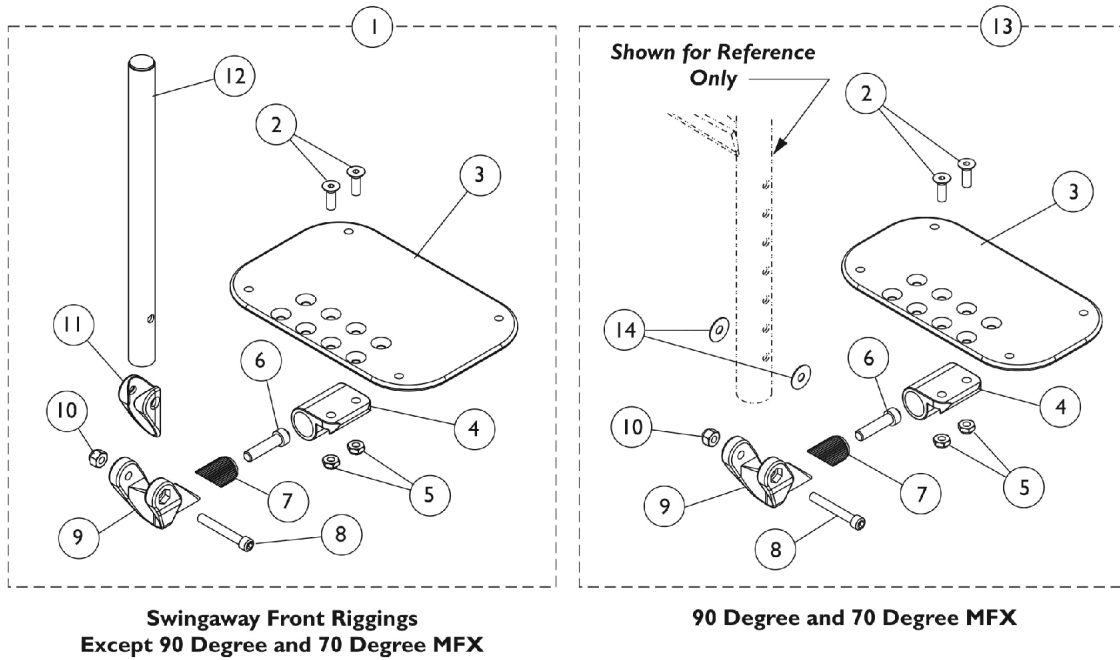
#16 Extra Large Aluminum Footplate w/ Pivot Tube Assembly

Wedge Style AT5044 Elevating Legrests

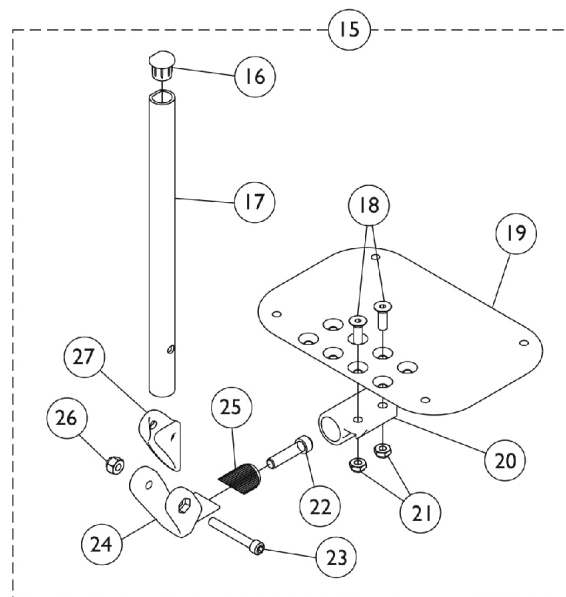
Footplate Size	Chair Width	Right	Left
Medium	16-22"	1132084	1132085

Adjustable Angle Footplate Assemblies - AT5543

70 Deg., PHW93, AT5544, PHAL4A Swingaway Supports



Used on all front riggings except **Wedge Style AT5044 Elevating Legrests**



Used on **Wedge Style AT5044 Elevating Legrests**

Adjustable Angle Footplate Assemblies - AT5543

70 Deg., PHW93, AT5544, PHAL4A Swingaway Supports

Item Number	Note	Part Number	Description	Quantity Per	
				Package	Assembly
1	D	See Chart	#1 PHW93, PH904A, 60 Degree, 70 Degree Non Tapered, 70LIFTNT, & Ratchet Style AT5044	1	1
1	D	See Chart	#1 PHAL4A Articulating Legrests	1	1
1	D	See Chart	#1 ATL4A Articulating Legrests	1	1
2		1113578	Screw, Socket Flat Head (1/4-28 x 3/4")	1	2
3	H	1113573	Footplate, Adjustable Angle, Large, Black (5-1/4" W x 8" L)	1	1
3	H	1113574	Footplate, Adjustable Angle, Extra Large, Black (6-1/4" W x 8" L)	1	1
3	H	1113575	Footplate, Adjustable Angle, XX- Large, Black (7-1/4" W x 8" L)	1	1
4		1113528	Bracket, Adjustable Angle Footplate, Black	1	1
5		1025765	Locknut (1/4-28)	1	2
6		1021344	Screw, Socket Head (5/16-18 x 1-1/2")	1	1
7		1113530	Attachment, Hinge	1	1
8		1096810	Screw, Socket Head (1/4-28 x 1-3/4")	1	1
9		1113529	Hinge, Adjustable Angle Footrest	1	1
10		1065362	Locknut (1/4-28)	1	1
11		1114688	Spacer, Hinge, Black	1	1
12	A	1114699	Tube, Pivot/Slide, Straight, Black (10-1/4")	1	1
12	B	1114700	Tube, Pivot/Slide, Straight, 2" Longer ALPT, Black (12-1/4")	1	1
12	C	1114707	Tube, Pivot/Slide, Straight, Chrome (11-7/8")	1	1
13	E	See Chart	#13 90 Degree / 70 Degree MFX and LIFTMFX Footrests	1	1
14		1025456	Washer, Nylon (3/4 x 1/4 x 1/32")	1	2
15	F	See Chart	#15 Wedge Style AT5044 Elevating Legrests	1	1
16		1134427	Package, Plug Button, Black, "D" Shaped (3/4")	10	1
17	G	1134433	Pivot/Slide Tube w/ D Insert, Black	1	1
17	G	1134432	Pivot/Slide Tube w/ D Insert, Black (2" Longer)	1	1
18		1113578	Screw, Socket Flat Head (1/4-28 x 3/4")	1	2
19		1113573	Footplate, Adjustable Angle, Large, Black (5-1/4" W x 8" L)	1	1
19		1113574	Footplate, Adjustable Angle, Extra Large, Black (6-1/4" W x 8" L)	1	1
19		1113575	Footplate, Adjustable Angle, XX- Large, Black (7-1/4" W x 8" L)	1	1
20		1113528	Bracket, Adjustable Angle Footplate, Black	1	1
21		1025765	Locknut (1/4-28)	1	2
22		1021343	Screw, Socket Head (5/16-18 x 1-1/4")	1	1
23		1096810	Screw, Socket Head (1/4-28 x 1-3/4")	1	1
24		1113529	Hinge, Adjustable Angle Footrest	1	1
25		1113530	Attachment, Hinge	1	1
26		1065362	Locknut (1/4-28)	1	1
27		1114688	Spacer, Hinge, Black	1	1

Adjustable Angle Footplate Assemblies - AT5543

70 Deg., PHW93, AT5544, PHAL4A Swingaway Supports

NOTE: A - 60°, 60° MFX, 70° Tapered, 70° Non Tapered, 70LIFTNT Footrests, and Ratchet Style AT5044 Legrest
 B - ALPT 2" Longer
 C - PHAL4A and ATL4A Articulating Legrests
 D - Includes items 2-12
 E - Includes items 2-10 & 14
 F - Includes items 16-27
 G - Wedge Style AT5044 Legrest
 H - This footplate was revised 9/2/2008 with rounder corners and accessory holes changed from 8 to 4. Recommend to replace footplate in pairs to match sides.

#1 PHW93, PH904A, 60 Degree, 70 Degree Non Tapered, 70LIFTNT, & Ratchet Style AT5044

Straight Slide Tube (10-1/4")	Right	Left
14-15" Wide (5-1/4" Footplate)	1114642	1114643
16-17" Wide (6-1/4" Footplate)	1114644	1114645
18-22" Wide (7-1/4" Footplate)	1114646	1114647
ALPT Straight Slide Tube (12-1/4")	Right	Left
14-15" Wide (5-1/4" Footplate)	1114652	1114653
16-17" Wide (6-1/4" Footplate)	1114654	1114655
18-22" Wide (7-1/4" Footplate)	1114656	1114657

#1 PHAL4A Articulating Legrests

Straight Slide Tube (10-1/4")	Right	Left
16-17" Wide (5-1/4" Footplate)	1114708	1114709
18-19" Wide (6-1/4" Footplate)	1114710	1114711
18-22" Wide (7-1/4" Footplate)	1114656	1114657

Adjustable Angle Footplate Assemblies - AT5543

70 Deg., PHW93, AT5544, PHAL4A Swingaway Supports

#1 ATL4A Articulating Legrests

Straight Slide Tube (10-1/4")	Right	Left
14-15" Wide (5-1/4" Footplate)	1114708	1114709
16-17" Wide (6-1/4" Footplate)	1114710	1114711
18-22" Wide (7-1/4" Footplate)	1114712	1114713

#13 90 Degree, 70 Degree MFX and LIFTMFX Footrests

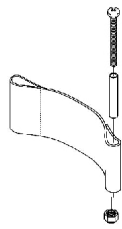
Adjustable Angle Footplates w/o Pivot Slide Tubes

No Slide Tube - Bolts Through Support	Right	Left
14-15" Wide (5-1/4" Footplate)	1114632	1114633
16-17" Wide (6-1/4" Footplate)	1114634	1114635
18-22" Wide (7-1/4" Footplate)	1114636	1114637

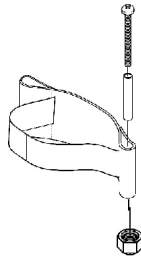
#15 Wedge Style AT5044 Elevating Legrests

Straight Slide Tube (10-1/4")	Right	Left
14-15" Wide (5-1/4" Footplate)	1132061	1132062
16-17" Wide (6-1/4" Footplate)	1132063	1132064
18-22" Wide (7-1/4" Footplate)	1132065	1132066
ALPT Straight Slide Tube (12-1/4")	Right	Left
14-15" Wide (5-1/4" Footplate)	1132089	1132090
16-17" Wide (6-1/4" Footplate)	1132091	1132092
18-22" Wide (7-1/4" Footplate)	1132093	1132094

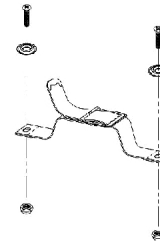
Heel Loops and Toe Loops



Heel Loop



Heel Loop with Ankle Strap



Toe Loop

Composite Footplates - 1651

Footplate Size	Chair Width	Heel Loop Single #	Heel Loop Pair #	Heel Loop w/ Ankle Strap Single # - Right	Heel Loop w/ Ankle Strap Single # - Left	Heel Loop w/ Ankle Strap Pair #	Attaching Hardware Pair #
Small 6" W	13" - 14" W	1025234-NLA	1035905	1035908-NLA	1035909-NLA	1035906	1035931
Medium 7" W	15" - 16" W	1017621	1035917-NLA	1053313-NLA	1053314-NLA	1053329	1035931
Large 8" W	17" and Wider	1027000	1035929	1035932-NLA	1035933-NLA	1035930	1035931

Aluminum Footplates - A1562

Footplate Size	Heel Loop Single #	Heel Loop Pair #	Heel Loop w/ Ankle Strap Single # - Right	Heel Loop w/ Ankle Strap Single # - Left	Heel Loop w/ Ankle Strap Pair #	Attaching Hardware Pair #
Small 6-3/4" W	1017621	1035917-NLA	1035919	1035920	1035918	1035931
Medium 7-3/4" W	1027000	1035929	1035932-NLA	1035933-NLA	1035930	1035931

Heel Loops and Toe Loops

Extra Large Footplates - A1564

Footplate Size	Heel Loop Single #	Heel Loop Pair #	Heel Loop w/ Ankle Strap Single # - Right	Heel Loop w/ Ankle Strap Single # - Left	Heel Loop w/ Ankle Strap Pair #	Attaching Hardware Pair #
Extra Large 8-3/4" W	1027000	1035929	1035932-NLA	1035933-NLA	1035930	1035931

Adjustable Angle Footplates - AT5543

Footplate Size	Heel Loop Single #	Heel Loop Pair #	Heel Loop w/ Ankle Strap Single # - Right	Heel Loop w/ Ankle Strap Single # - Left	Heel Loop w/ Ankle Strap Pair #	Attaching Hardware Pair #
Large 5-1/4" W	1017621	1035917-NLA	1053313-NLA	1053314-NLA	1053329	1035931
X-Large 6-1/4" W	1027000	1035929	1035932-NLA	1035933-NLA	1035930	1035931
XX-Large 7-1/4" W	1027000	1035929	1035932-NLA	1035933-NLA	1035930	1035931

Toe Loops

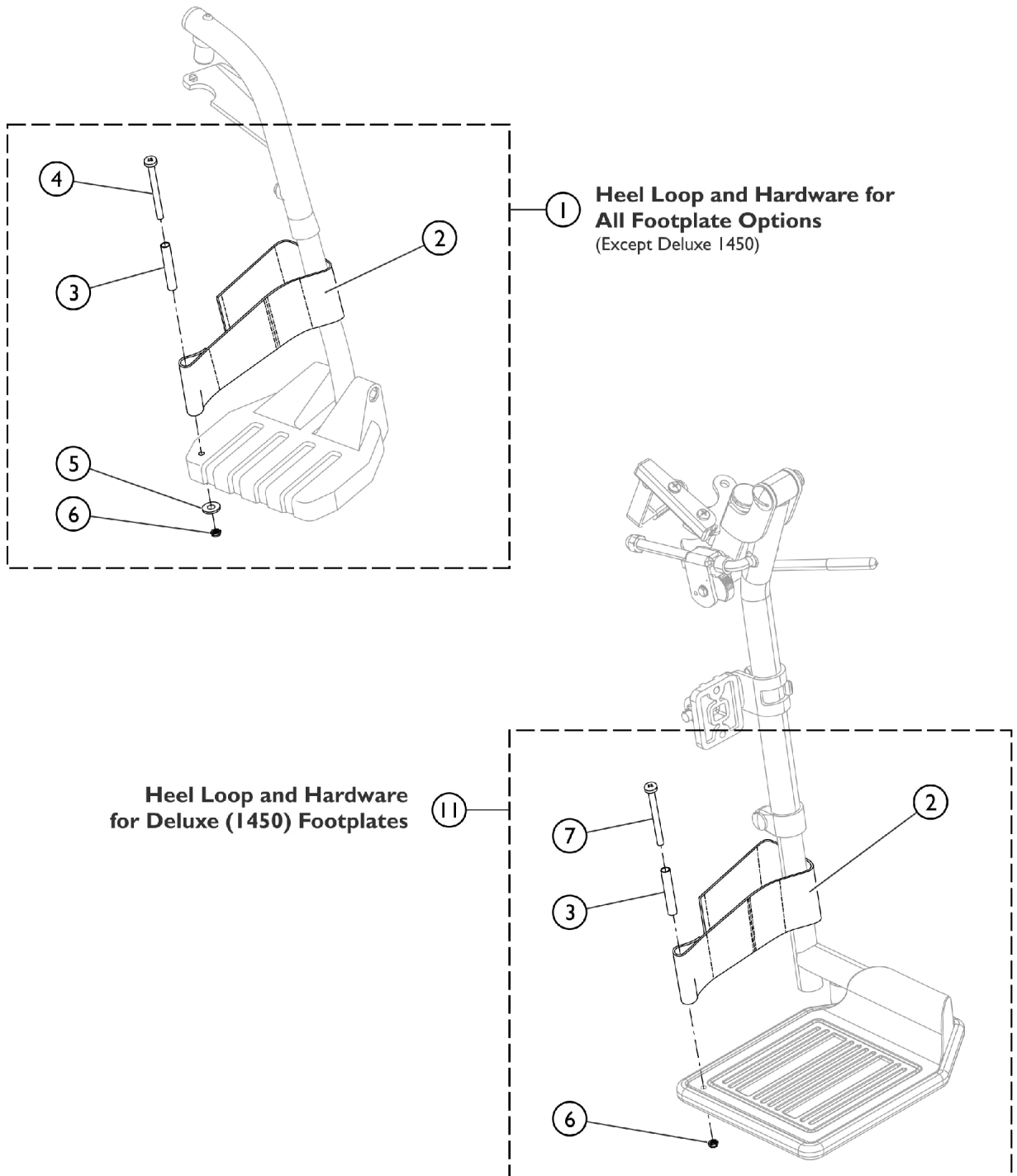
Toe Loop Single #	Toe Loop Pair #	Attaching Hardware 1651 Footplates Pair #	Attaching Hardware AT5543/A1562/A1564 Footplates Pair #
04572X025	1037087	1052470-NLA	1052469

Heel and Toe Loop Attaching Hardware Kits

1035931	1052470-NLA	1052469
Kit Includes the following:	Kit Includes the following:	Kit Includes the following:
(2) Screw, Phillips Pan Head (1/4-20 x 2-1/4") (2) Spacer (1/4 x 11/32 x 1-3/4") (2) Hex Nut w/ Nylon Cap (1/4-20) (2) Flat Washer (1/4 x 5/8 x 1/16")	(4) Screw, Phillips Pan Head (10-32 x 11/16") (4) Washer (4) Locknut (10-32)	(4) Screw, Phillips Pan Head (10-32 x 1/2") (4) Washer (4) Locknut (10-32)

Heel Loops and Toe Loops

Front Riggings - Adjustable Heel Loops



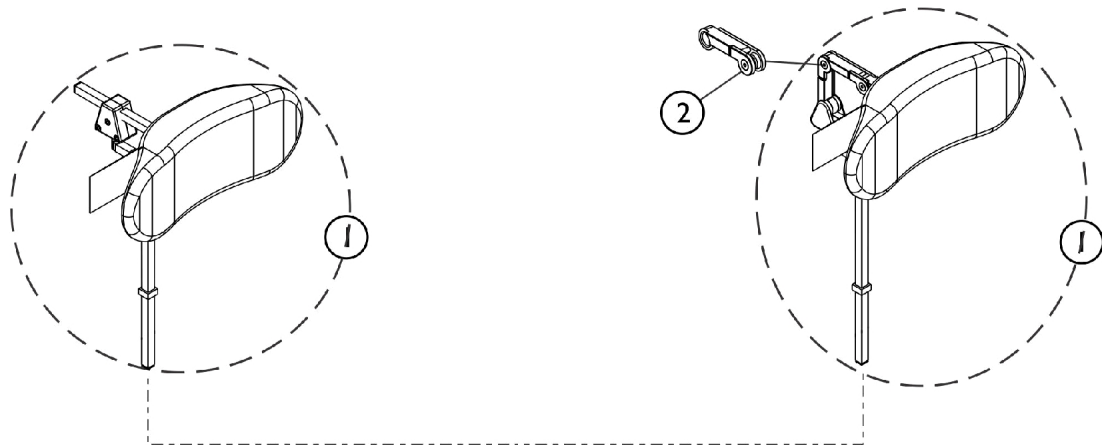
SCM_058A

Front Riggings - Adjustable Heel Loops

Item Number	Note	Part Number	Description	Quantity Per	
				Package	Assembly
1	A	1191117	Kit, Heel Loop, Adjustable w/ Hardware (Pair)	1	1
2			Heel Loop	1	2
3			NLA - Spacer (1/4 x 11/32 x 1-3/4")	1	2
4			NLA - Screw, Phillips Pan Head (1/4-20 x 2-1/4")	1	2
5			Washer, Flat (1/4 x 5/8 x 1/16")	1	2
6			Nut, Hex, Nylon Cap (1/4-20)	1	2
			Instruction Sheet, Adjustable Heel Loop	1	1
11	B	1191116	Kit, Heel Loop, Adjustable w/ Hardware, Deluxe 1450 (Pair)	1	1
2			Heel Loop	1	2
3			NLA - Spacer (1/4 x 11/32 x 1-3/4")	1	2
6			Nut, Hex, Nylon Cap (1/4-20)	1	2
7			NLA - Screw, Phillips Pan Head (1/4-20 x 2-1/2")	1	2
			Instruction Sheet, Adjustable Heel Loop	1	1

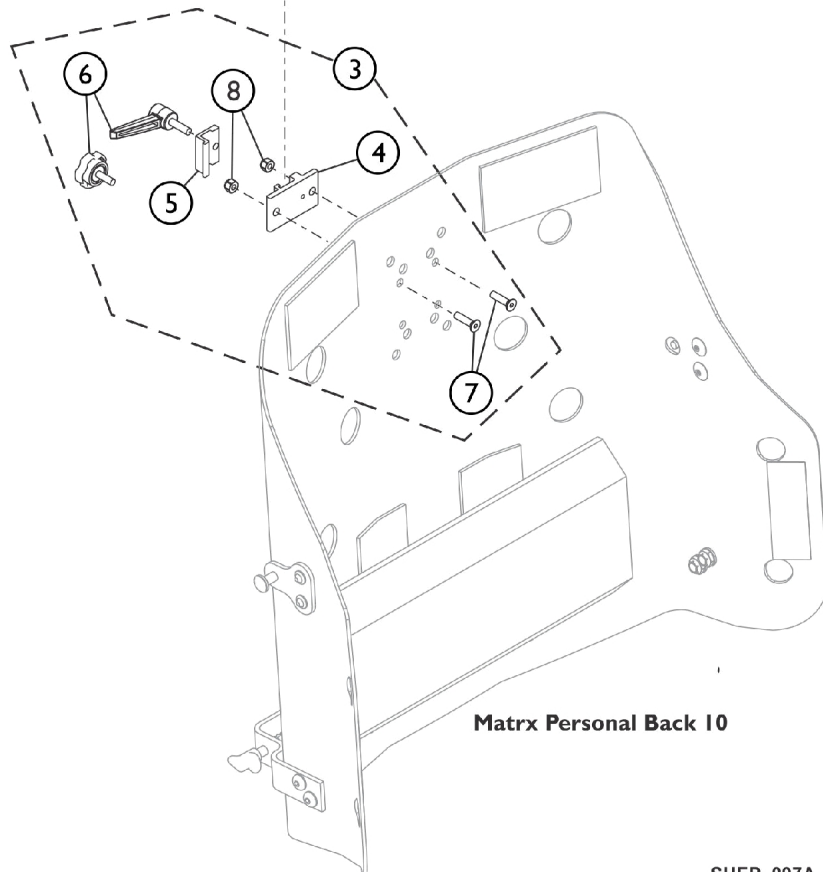
NOTE: A - Kit includes items 2 - 6. Used with all Footplates except Deluxe (1450).
 B - Kit includes items 2, 3, 6, and item 7. Used with Deluxe (1450) Footplates only.

Stealth Headrest Support Assembly (CP175-CP275-CP180-CP280)



**Stealth Comfort Plus Multi-Axis
w/ 14" Headrest shown**

**Stealth Comfort Plus TWB
w/ 14" Headrest shown**



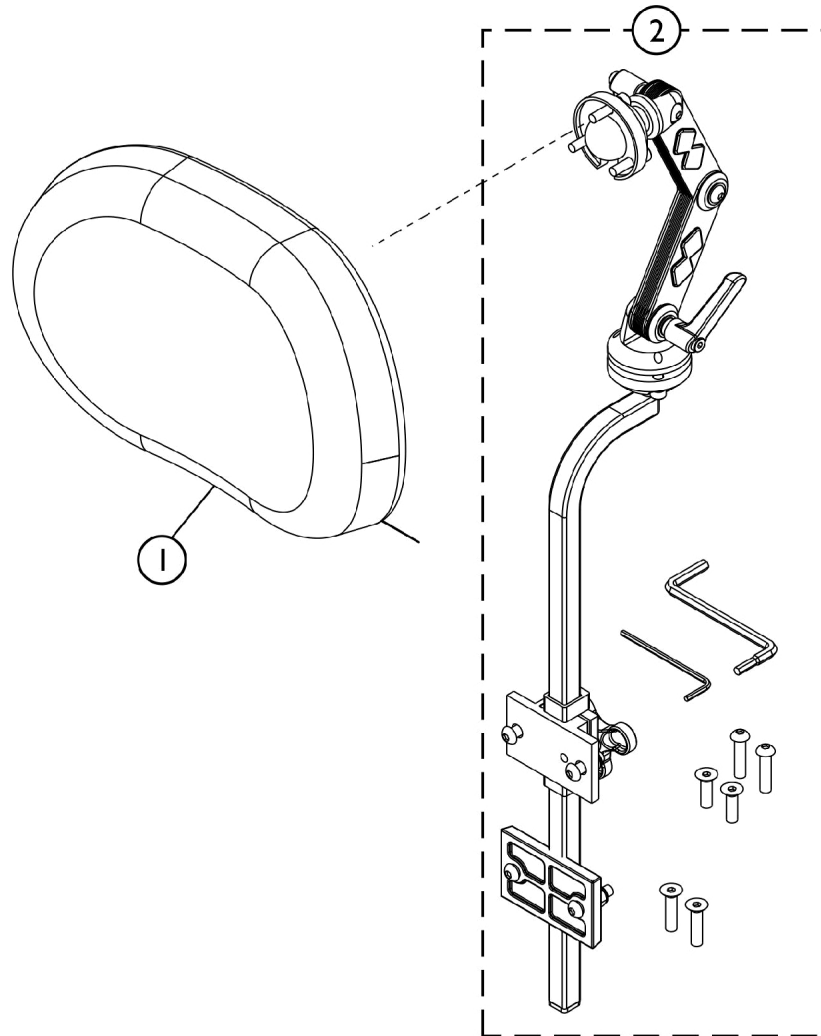
SHEP_097A

Stealth Headrest Support Assembly (CP175-CP275-CP180-CP280)

Item Number	Note	Part Number	Description	Quantity Per	
				Package	Assembly
1	F,A	1127408-NLA	NLA - Kit, Headrest 10" TWB Comfort Plus Stealth (CP280)	1	1
1	F,A	1127409-NLA	NLA - Kit, Headrest 14" TWB Comfort Plus Stealth (CP180)	1	1
1	F,A	1127410-NLA	NLA - Kit, Headrest 10" Multi-Axis Comfort Plus Stealth (CP275)	1	1
1	F,A	1127411-NLA	NLA - Kit, Headrest 14" Multi-Axis Comfort Plus Stealth (CP175)	1	1
2	B	1127414	Kit, Link Extension Stealth	1	1
3	C,E	0273100	Kit, Headrest Clamp, Lever Style	1	1
4	D	0237422-NLA	NLA - Clamp, Small Bottom Half	1	1
5	D	0237522-NLA	NLA - Clamp, Small Top Half	1	1
6		1072439-NLA	NLA - Knob, Adjustment, Black (3/4" L Threads)	1	1
7		0288706-NLA	NLA - Screw, Socket, Flat Head (1/4-20 x 1")	1	2
8		1025736	Locknut (1/4-20)	1	2

NOTE: A - The mounting hardware will contain a lever and star knob tightening device. Use the lever that is provided standard by stealth and disregard the star knob that is designed for the Formula TRE systems.
 B - The Stealth Link Extension used on the Stealth Comfort Plus TWB models only
 C - Includes items 4-8. Item 6 Adjustment Knob was replaced with an Adjustment Lever. The Lever is not available as a separate part. The knob Part # 1072439 is interchangeable with the Lever.
 D - Clamp is no longer available individually. See item 3 Clamp Assembly part number 0273100.
 E - Hardware used with Invacare/Matrx Personal Back 10 models.
 F - Stealth Headrest No Longer Available. See page titled "Headrest Support Assembly - Matrx Elan MEHSP-10, 14" for replacement.

Headrest Support Assembly - Matrix Elan (MEHSP-10,14)



SHEP_262A

Item Number	Note	Part Number	Description	Quantity Per	
				Package	Assembly
1	A	60102830	Kit, Matrix Elan Standard Headrest Pad (10" W)	1	1
1	B	60102833	Kit, Matrix Elan Standard Headrest Pad (14" W)	1	1
2	C	60102826	Kit, Elan Multi-Axis Articulating Headrest Mounting Hardware	1	1

NOTE: A - For model MEHSP-10
 B - For model MEHSP-14
 C - For model MEMAH

Miscellaneous Accessories

Part Number	Description	Package Quantity	Assembly Quantity
See Adult Tilt Foot Assist Category	Adult Tilt Foot Assist	1	See Adult Tilt Foot Assist Category
See Axle and Anti-Tip Category	Anti-Tipper	1	See Axle and Anti-Tip Category
1081106-NLA	Back Pack	1	1
1027644-NLA	Calf Strap 14-18" Wide (26" Long)	1	1
1032243	Calf Strap 19-22" Wide (36" Long)	1	1
1068210-NLA	Clamp with Hardware, 3/4" to 1"	1	1
1034204	Crutch & Cane Holder	1	1
1032003	H-Strap (14-15" Wide) (20-1/2" Long)	1	1
1032002	H-Strap (16-18" Wide) (26" Long)	1	1
1032001	H-Strap (19-22" Wide) (34" Long)	1	1
1026987 See Note(s) A	Impact Guard 8" Long	1	2
1159758	Protector, Frame, Front, Blue	1	2
1159756	Protector, Frame, Back, Blue	1	1
1159384-NLA	Protector, Frame, Front, Silver	1	2
1159383-NLA	Protector, Frame, Back, Silver	1	1
1159759	Protector, Frame, Front, Red	1	2
1159757	Protector, Frame, Back, Red	1	1
1163422	Protector, Frame, Front, Black	1	2
1163421	Protector, Frame, Back, Black	1	1
TAGTS1034751-NLA	Positioning Strap Airline Syle (14-19" Wide)	1	1
1034752-NLA See Note(s) B	Positioning Strap Airline Syle (20-22" Wide)	1	1
1004310	Positioning Strap Auto Syle (14-19" Wide)	1	1
1034625	Positioning Strap Auto Style (20-22" Wide)	1	1
1034744	Positioning Strap Hook & Loop (14-19" Wide)	1	1

Miscellaneous Accessories

Part Number	Description	Package Quantity	Assembly Quantity
1034745	Positioning Strap Hook & Loop (20-22" Wide)	1	1
1109324	Seat Pouch 8-1/2" W x 7" H x 4" D	1	1
See Adj. Stroller Handle Category	Stroller Handle - Adjustable Angle	1	See Adj. Stroller Handle Category
See Stroller Handle (1483) Category	Stroller Handle - 1483	1	See Stroller Handle (1483) Category
40176X010-NLA	Tire Pump	1	1
1038599	Wheel Lock Extensions, 6" (1 Pair)	2	1
NOTE: A - For 70 deg. Tapered Footrest. B - 1034752 Airline Buckle Style is No Longer Available. Use Auto Style part number 1034625 as a replacement.			

Invacare Corporation

www.invacare.com



Yes, you can.

One Invacare Way
Elyria, Oh USA
44036-2125
800-333-6900

Technical Support
800-832-4707
Customer Service
800-333-6900

Customer Service
800-333-6900

© 2022 Invacare Corporation. All rights reserved. Republication, duplication or modification in whole or in part is prohibited without prior written permission from Invacare. Trademarks are identified by TM and ©. All trademarks are owned by or licensed to Invacare Corporation or its subsidiaries unless otherwise noted. (Revised 11/9/22)

Form No. 03-032