

**Spree XT
Spree XT Limited**

Wheelchairs



Yes, you can.

Parts Catalog Usage Guide

The information contained in this document is subject to change without notice. This catalog contains service parts for Form No. 03-029. If you have any questions regarding this catalog, please contact one of our Customer Service Representatives.

For Customer Service Support Call:

1-800-333-6900

For Faxed In Orders Call:

1-800-678-4682 or

1-440-366-0709

For Technical Service Call:

1-800-832-4707

Literature Can Be Found at:

www.invacare.com or

1-800-828-6272

SYMBOL DEFINITION

Throughout this catalog you will notice letters to draw your attention to specific footnotes which are located at the bottom of the page or below specified charts.

Examples:

A,B,C etc. = Special Comments

NOTE: = General information pertaining to that specific page

NLA = No Longer Available

HARDWARE MEASUREMENTS

The measurements for the hardware will be listed as follows:

Screws, Bolts Diameter X Thread Count/Pitch X Length

Washers Inside Diameter X Outside Diameter X Thickness

Spacers Inside Diameter X Outside Diameter X Length

For your convenience, we have supplied an area for you to list your Invacare Representatives.

Name	Phone Numbers

© 2022 Invacare Corporation. Elyria, Ohio. Invacare, Yes, you can., and the Medallion Design are registered trademarks of Invacare Corporation. KIK is a registered trademark of KIK Technology, Inc.

TABLE of CONTENTS

Description	Page Number
Accessories - Miscellaneous	109
Arms - "T" Arm	24
Arms - Cantilever Locking - AT55D & AT55F	21
Arms - Cantilever Non-Locking Bolt On - AT99N	19
Axles - Axle Bracket Hardware & Anti-Tips - Chairs with Hublocks	40
Axles - Axle Bracket Hardware & Anti-Tips - Chairs without Hublocks	38
Canes - Back - Attaching Hardware & Pelvic Positioning Strap	17
Casters - Front (After 6/29/11)	30
Casters - Front and Hardware (Before 7/1/11)	27
Casters - Mounting Hardware (After 6/29/11)	31
Crossbraces & Hardware	11
Forks & Hardware (After 6/29/11)	35
Forks & Hardware (Before 7/1/11)	33
Frame Finishes & Touch-Up Paint	5
Frames - Side & Hardware	9
Front Riggings - Adjustable Angle Footplate Assemblies - AT5543	82
Front Riggings - Adjustable Heel Loops	91
Front Riggings - Composite Footplates and Pivot Tube Assemblies - 1651	78
Front Riggings - Footrest Support Assemblies - Lift Off	68
Front Riggings - Footrest Support Assemblies - Swingaway	66
Front Riggings - Heel Loops & Heel Loops w/ Ankle Straps	89

TABLE of CONTENTS

Description	Page Number
Front Riggings - Legrest Calf Pads	77
Front Riggings - Legrest Support Assembly - Ratchet Style - AT5044 (Before 9/21/05)	70
Front Riggings - Legrest Support Assembly - Wedge Style - AT5044 (Intro. 9/21/05)	72
Front Riggings - Pivot/Slide Tube & A1562 Aluminum Footplates	86
Handrims & Handrim Hardware	49
Packaging - Literature & Decals	7
Rigid Side Guards	93
Rigidizer Bar - Fold Down	95
Seat Rails - Seat Mounting Hardware - Extension Kit & Hanger Brackets	13
Stroller Handle - Adjustable Angle - Rigid Inside Mount (After 5/29/08)	107
Stroller Handle - Adjustable Angle - Rigid Outside Mount (After 5/29/08)	105
Stroller Handle - Adjustable Angle Rigidizing (8/16/05 to 5/29/08)	97
Stroller Handle - Adjustable Angle Rigidizing (After 8/16/05)	99
Stroller Handle - Non-Adjustable Rigidizing - 1483 (After 8/16/05)	103
Stroller Handle - Non-Adjustable Rigidizing - 1483 (Before 8/16/05)	101
Tilt Hardware	15
Wheel Locks - Hill Holder (12" & 20" Rear Wheels)	57
Wheel Locks - Hublock Replacement Kits (After 10/31/07)	60
Wheel Locks - Hublock Replacement Kits (Before 11/01/07)	62
Wheel Locks - Hublock Retro-Fit Kits	64
Wheel Locks - Pull to Lock (12" & 20" Rear Wheels)	53

TABLE of CONTENTS

Description	Page Number
Wheel Locks - Pull to Lock (22" & 24" Rear Wheels)	55
Wheel Locks - Push to Lock (12" & 20" Rear Wheels)	51
Wheels - Rear w/o Handrims - Chairs w/o Hublocks (After 9/1/11)	42
Wheels - Rear w/o Handrims - Chairs w/o Hublocks (Before 9/2/11)	44
Wheels - Rear w/o Handrims, w/ Hublock Hardware - Chairs w/ Hublocks (12", 20")	46

Frames Finishes and Touch-Up Paint

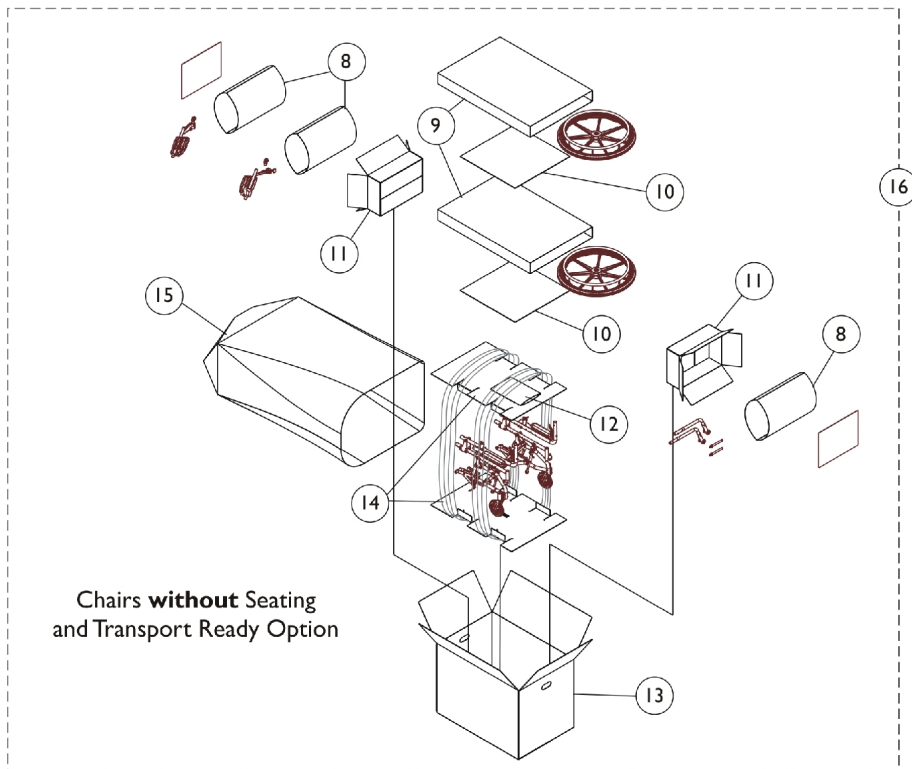
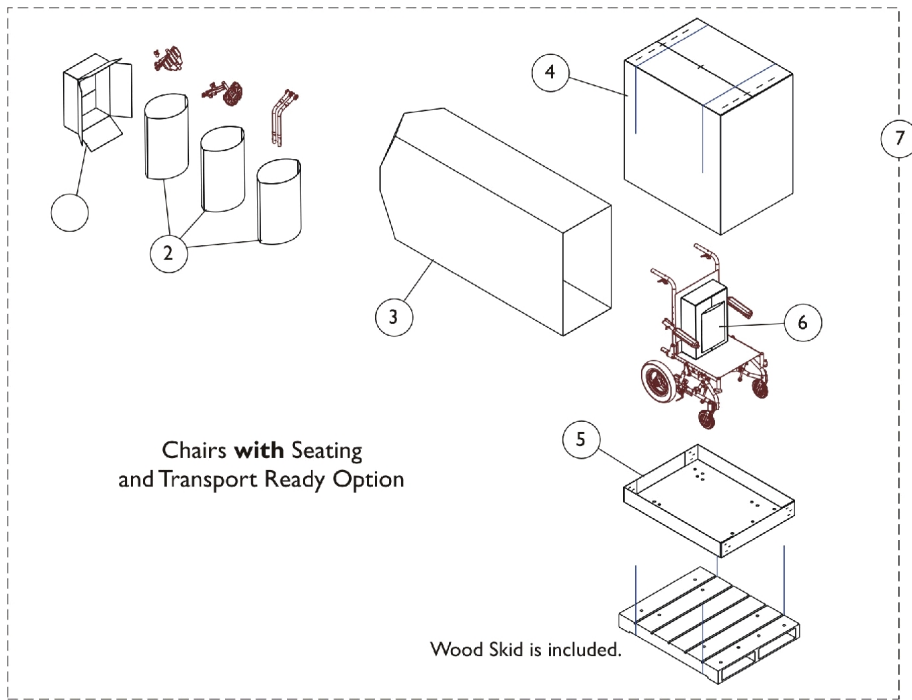
Contemporary Color Numbers	Touch-Up Paint (.6 oz.)	Color
22P	1033376-NLA	Anthracite
115P	1133371-NLA	Black Prism
66P	1046322-NLA	Electric Purple
80P	1073892-NLA	Evergreen with Navy
101P	1101325-NLA	Jeweled Green
105P	1101326-NLA	Midnight Blue
33P	1031455-NLA	Red
83P	1073895-NLA	Royal Blue with Grape
60P	1101318-NLA	Silver Metallic
24P	1031450-NLA	Wet Black
Too Hot Color Numbers	Touch-Up Paint (.6 oz.)	Color
119P	1133375-NLA	Bubblegum Pink
61P	1046321-NLA	Electric Red
118P	1133374-NLA	Fruit Fusion
120P	1133376-NLA	Grape Madness
116P	1133372-NLA	Sunkissed Orange
30P	1074167-NLA	Sunny Yellow
117P	1133373-NLA	Tangerine Red
Way Cool Color Numbers	Touch-Up Paint (.6 oz.)	Color
123P	1133379-NLA	Celestial Purple
122P	1133378-NLA	Cosmic Blue
62P	1046320-NLA	Electric Blue
79P	1101316-NLA	Electric Teal
125P	1133381-NLA	Emerald Green
127P	1133383-NLA	Grasshopper Green
121P	1133377-NLA	Lolly Pop Blue
126P	1133382-NLA	Shamrock Green
124P	1133380-NLA	Vivid Violet

Frames Finishes and Touch-Up Paint

Sparkle Frame Finishes

Color Number	Color
88P	Wet Black w/Twilight Sparkle

Packaging, Literature, and Decals

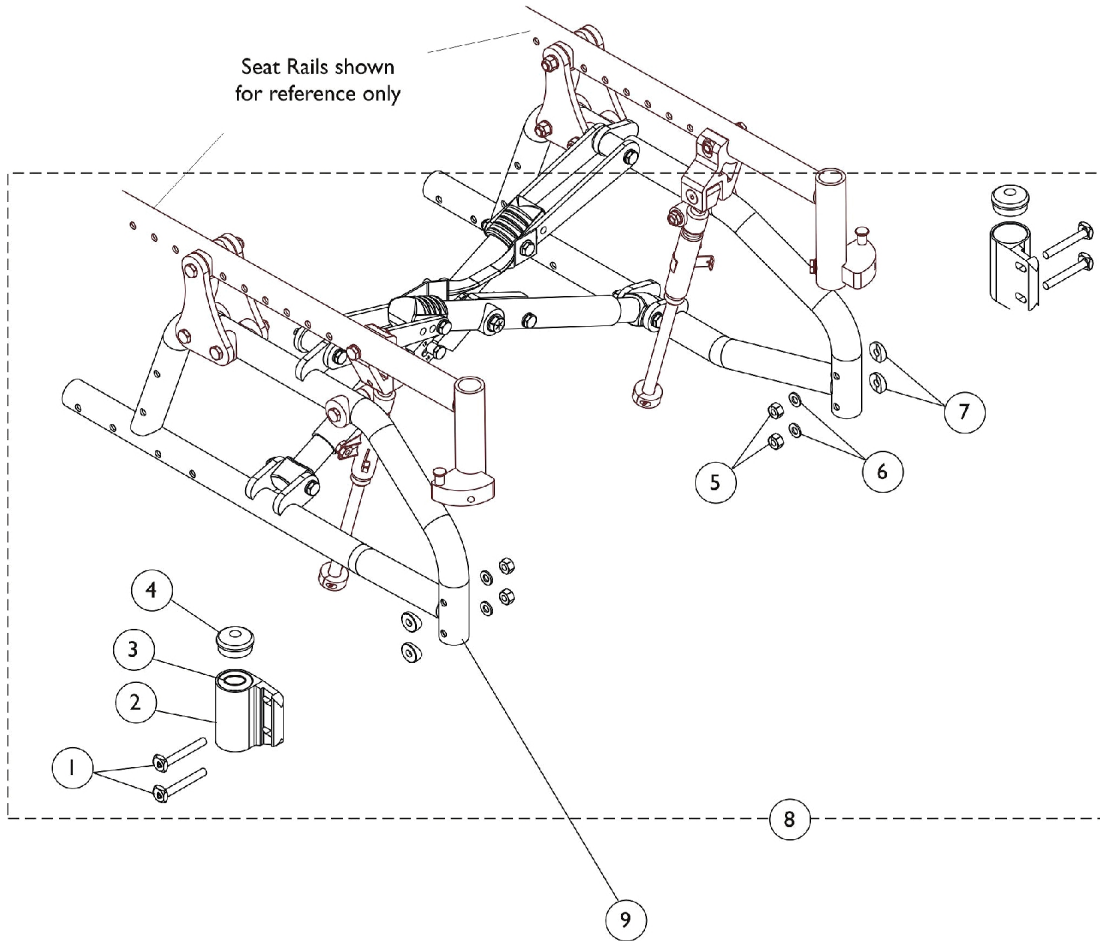


Packaging, Literature, and Decals

Item Number	Note	Part Number	Description	Quantity Per	
				Package	Assembly
7	A	1118585-NLA	NLA - Kit, Packaging Spree XT	1	1
1			NLA - Carton, Front Riggings	1	1
2			NLA - Bag, Poly (26" L x 15" W)	1	3
3			Bag, Poly (72" L x 35" W x 19" D)	1	1
4			Carton, Cover	1	1
5			Carton, Tray	1	1
			NLA - Pallet, Wood	1	1
6			NLA - Package, Literature	1	1
16	B	1118582	NLA - Kit, Packaging Spree XT	1	1
8			NLA - Bag, Poly (26" L x 15" W)	1	3
9			NLA - Bag, Poly	1	2
10			NLA - Insert, Carton	1	2
11			NLA - Carton, Front Riggings	1	2
12			NLA - Package, Literature	1	1
13			NLA - Carton, Shipper	1	1
14			NLA - Insert, Bottom Pad	1	2
15			Bag, Poly (72" L x 35" W x 19" D)	1	1
	C	1118596-NLA	NLA - Kit, Instruction Cards with Attaching Hardware, Transport Ready Option	1	1
	C,D	1130215-NLA	NLA - Service Manual, Hublock	1	1
	C	1095497	Decal, Invacare Logo (1.6)	1	1
	C	1122110-NLA	NLA - Decal, Model - Spree XT	1	1
	C	1125013-NLA	NLA - Decal, Model - Spree XT Limited	1	1
	C	1083199-NLA	NLA - Label, Hook Tie-Down	1	1
<p>NOTE: A - For chairs with Seating and Transport Ready Option. Includes items 1-6. B - For chairs without Seating and Transport Ready Option. Includes items 8-15. C - Not Shown D - Item is no longer available from the Invacare Service Parts Department. Refer to the Invacare Website under "Product Literature Search". Enter the part number in the "Keywords" field and download a free PDF version copy.</p> <p>When adjusting or replacing parts please refer to your Owner's Manual for assistance.</p>					

Frames and Frame Hardware

Transport Ready Chairs requiring Frames and/or Frame Hardware parts must be returned to Invacare for service.



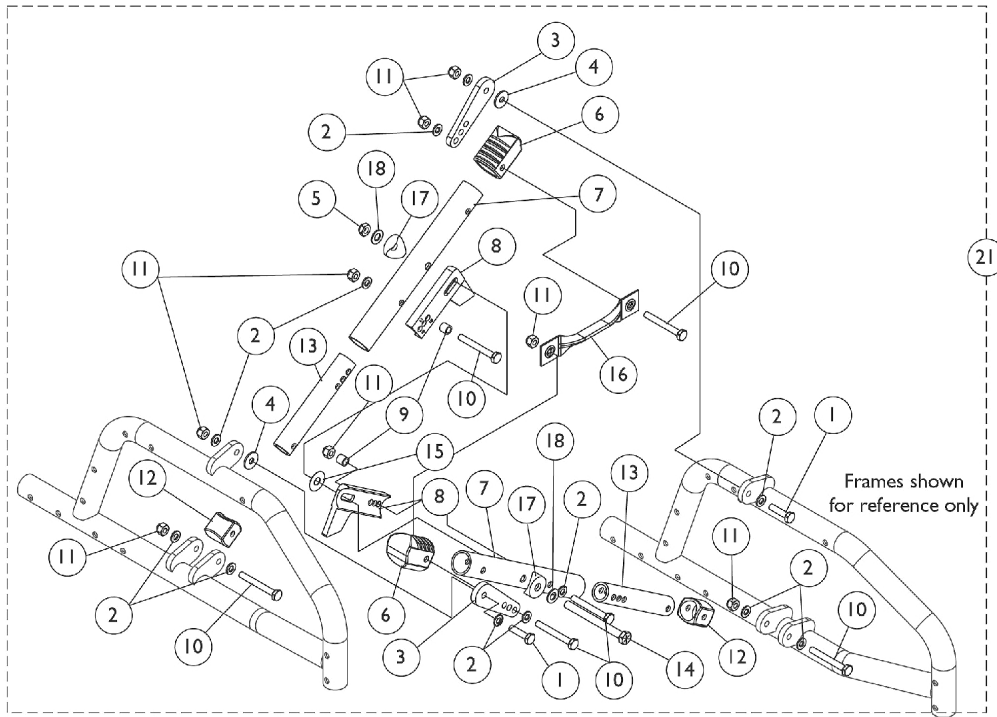
Frames and Frame Hardware

Transport Ready Chairs requiring Frames and/or Frame Hardware parts must be returned to Invacare for service.

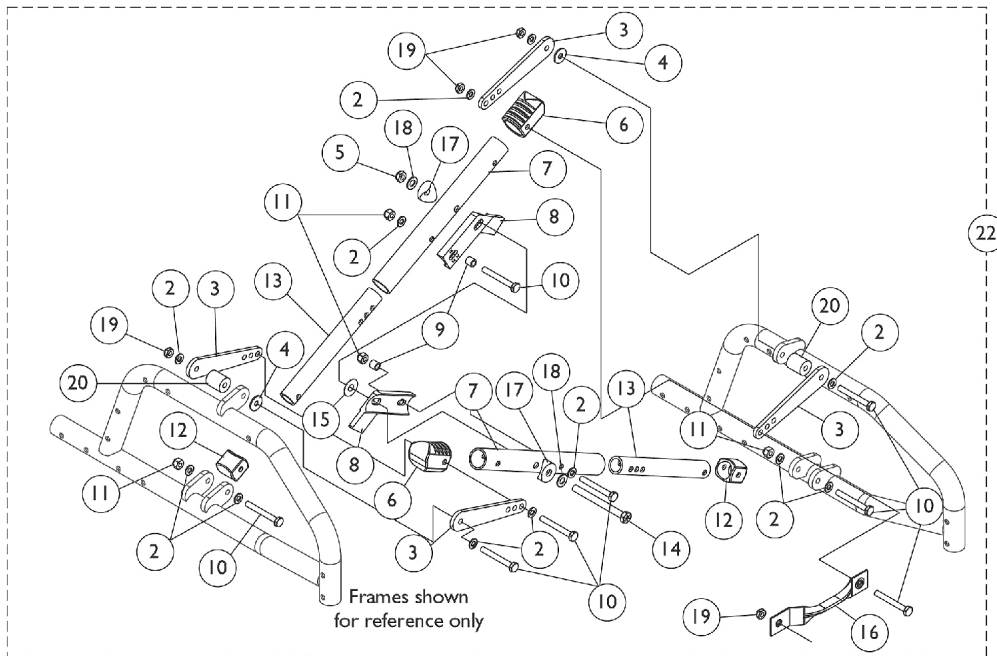
Item Number	Note	Part Number	Description	Quantity Per	
				Package	Assembly
1	C	1113501	Screw, Eccentric (1/4-28 x 1-11/16")	1	4
1	D	1118497	Screw, Eccentric (1/4-28 x 1-7/8")	1	4
2		1118542	Caster Headtube Assembly, Black - Right	1	1
2		1118543	Caster Headtube Assembly, Black - Left	1	1
3		40117X021	Bearing (1/2" I.D. x 1-1/8" O.D.)	1	4
4		1088523	Plug Button, Head Tube, Black	1	2
5		1055366	Locknut (1/4-28)	1	4
6		1026907	Washer (1/4 x 1/2 x 1/16")	1	4
7		1009861	Spacer, Coved (1/4 x 11/16 x 1/2")	1	4
8	A	1118551	Kit, Frame Hardware, Non Transport Ready Chairs (Pair)	2	1
9	B	8881118493	Frame without Hardware, Color - Right	1	1
9	B	8881118494	Frame without Hardware, Color - Left	1	1

NOTE: A - Includes items 1-7
 B - Specify Frame Finish when ordering
 C - These screws are used on chairs "without" TRBKTS or TRRO Option.
 D - These screws used on chairs equipped with TRBKTS or TRRO Option

Crossbraces and Hardware



10-14" Wide Chairs



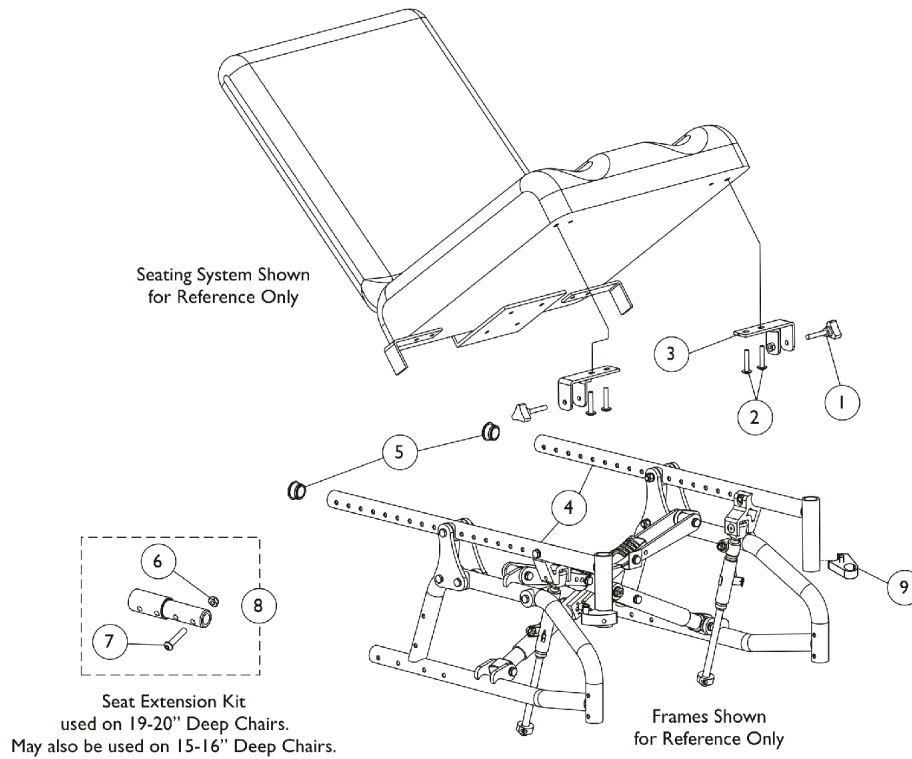
14-18" Wide Chairs

Crossbraces and Hardware

Item Number	Note	Part Number	Description	Quantity Per	
				Package	Assembly
1		1055296-NLA	NLA - Screw, Hex Head (1/4-28 x 1")	1	2
2		1026907	Washer (1/4 x 1/2 x 1/16")	1	12
3		1118521	Link, Pivot, Black (10 - 12" W)	1	2
3		1118522	Link, Pivot, Black (12 - 14" W)	1	2
3		1118523	Link, Pivot, Black (14 - 16" W)	1	2
3		1118524	Link, Pivot, Black (16 - 18" W)	1	2
4		1108477-NLA	NLA - Washer, Nylon (1/4 x 3/4 x 5/8")	1	2
5		1025730	Locknut (5/16-24)	1	1
6		1118501-NLA	NLA - Plug Button, Crossbrace - Upper	1	2
7		1118506	Tube, Crossbrace -Upper (10-12" W)	1	2
7		1118507	Tube, Crossbrace -Upper (12-14" W)	1	2
7		1118508	Tube, Crossbrace -Upper (14-16" W)	1	2
7		1118509	Tube, Crossbrace -Upper (16-18" W)	1	2
8		1118526	Bracket, Stop, Black (10-12" W)	1	2
8		1118527	Bracket, Stop, Black (12-14" W)	1	2
8		1118528	Bracket, Stop, Black (14-16" W)	1	2
8		1118529	Bracket, Stop, Black (16-18" W)	1	2
9		1157260	Spacer, Crossbrace (1/4 x 7/16 x 5/16)	1	2
10	A	1055349	Screw, Hex Head (1/4-28 x 2")	1	6
11	B	1065362	Locknut (1/4-28)	1	8
12	G	1118502-NLA	NLA - Cap, End, Lower, Black	1	2
13		1118511	Tube, Crossbrace -Lower (10-12" W)	1	2
13		1118512	Tube, Crossbrace -Lower (12-14" W)	1	2
13		1118513	Tube, Crossbrace -Lower (14-16" W)	1	2
13		1118514	Tube, Crossbrace -Lower (16-18" W)	1	2
14		1025705-NLA	NLA - Screw, Hex Head (5/16-24 x 3-1/4")	1	1
15		1046497-NLA	NLA - Washer, Nylon (5/16 x 7/8 x 1/64")	1	1
16	C,G	1107937-NLA	NLA - Strap, Pull	1	1
16	D	1118532	Strap, Pull	1	1
17		1016263	Spacer, Coved (3/4 x 1 x 1/2")	1	2
18		1025704	Washer, Flat (5/16 x 5/8 x 1/16")	1	2
19		1025765	Locknut (1/4-28)	1	4
20		1118531	Bushing, Nylon (3/4 x 1/4 x 7/8")	1	2
21	E	1118535	Crossbrace Assembly, Black (10 - 12" W) (Pair)	2	1
21	E	1118536	Crossbrace Assembly, Black (12 - 14" W) (Pair)	2	1
22	F	1118537	Crossbrace Assembly, Black (14 - 16" W) (Pair)	2	1
22	F	1118538	Crossbrace Assembly, Black (16 - 18" W) (Pair)	2	1

NOTE: A - Chairs 14" wide and greater require 8 ea. of item 10 Screw
 B - Chairs 14" wide and greater require 4 ea. of item 11 Locknut
 C - 10-13" Wide Chairs
 D - 14-18" Wide Chairs
 E - Includes items 1-18
 F - Includes items 2-20
 G - No longer available as an individual service part, use Item 21 (1118535 or 1118536) or Item 22 (1118537 or 1118538) as a replacement.

Seat Rails, Seat Mounting Hardware, Extension Kit and Hanger Brackets

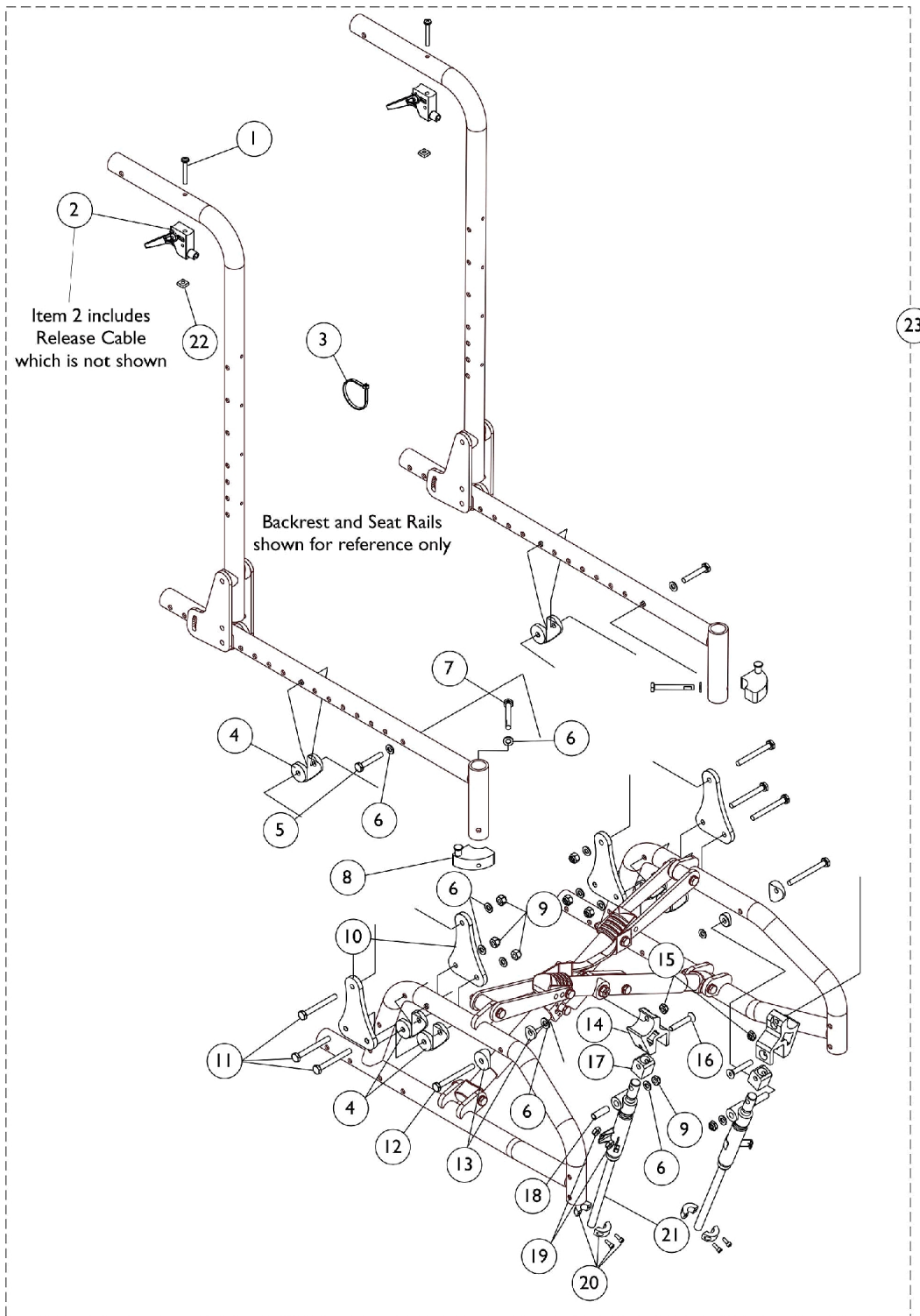


Seat Rails, Seat Mounting Hardware, Extension Kit and Hanger Brackets

Item Number	Note	Part Number	Description	Quantity Per	
				Package	Assembly
1		1027684	Knob, Clamping, Black	1	2
2		2000601-NLA	NLA - Screw, Phillips Truss Head (1/4-20 x 1-1/4")	1	4
3		1118589-NLA	NLA - Bracket, Seat Mounting, Black	1	2
4	A,B	8881118491	Rail, Seat, Short - Right (12 - 14" D)	1	1
4	A,B	8881118492	Rail, Seat, Short - Left (12 - 14" D)	1	1
4	A,B	8881118489	Rail, Seat, Long - Right (12 - 18" D)	1	1
4	A,B	8881118490	Rail, Seat, Long - Left (12 - 18" D)	1	1
5		1056328	Plug Button, Black (1")	1	2
6		1025765	Locknut (1/4-28)	1	1
7		1059284-NLA	NLA - Screw, Socket Button Head (1/4-28 x 1-1/4")	1	1
8	C	1118544	Kit, Extension w/ Hardware (2")	1	1
9	D	1054571	Kit, Sector Block - Right	1	1
9	D	1054572	Kit, Sector Block - Left	1	1
9	D,E	1128280	Kit, Sector Block - Right	1	1
			Block, Sector - Right	1	1
			Screw, Hex Head (1/4-20 x 1-5/8")	1	1
			Washer (1/4 x 1/2 x 1/16")	1	1
9	D,E	1128281	Kit, Sector Block - Left	1	1
			Block, Sector - Left	1	1
			Screw, Hex Head (1/4-20 x 1-5/8")	1	1
			Washer (1/4 x 1/2 x 1/16")	1	1
	E	1142975	Kit, Sector Block Hardware, Lift Off (Pair)	1	1
			Screw, Hex Head (1/4-20 x 1-5/8")	1	2
			Washer (1/4 x 1/2 x 1/16")	1	2
			Block, Sector - Right	1	1
			Block, Sector - Left	1	1

NOTE: A - Specify Frame Finish when ordering
 B - Seat Rails Do Not include item 9, Sector Blocks. Must be ordered separately.
 C - Includes Seat Extension plus items 6 and 7
 D - Includes Sector Block, Washer, and Screw
 E - For use on lift-off style front riggings only.

Tilt Hardware



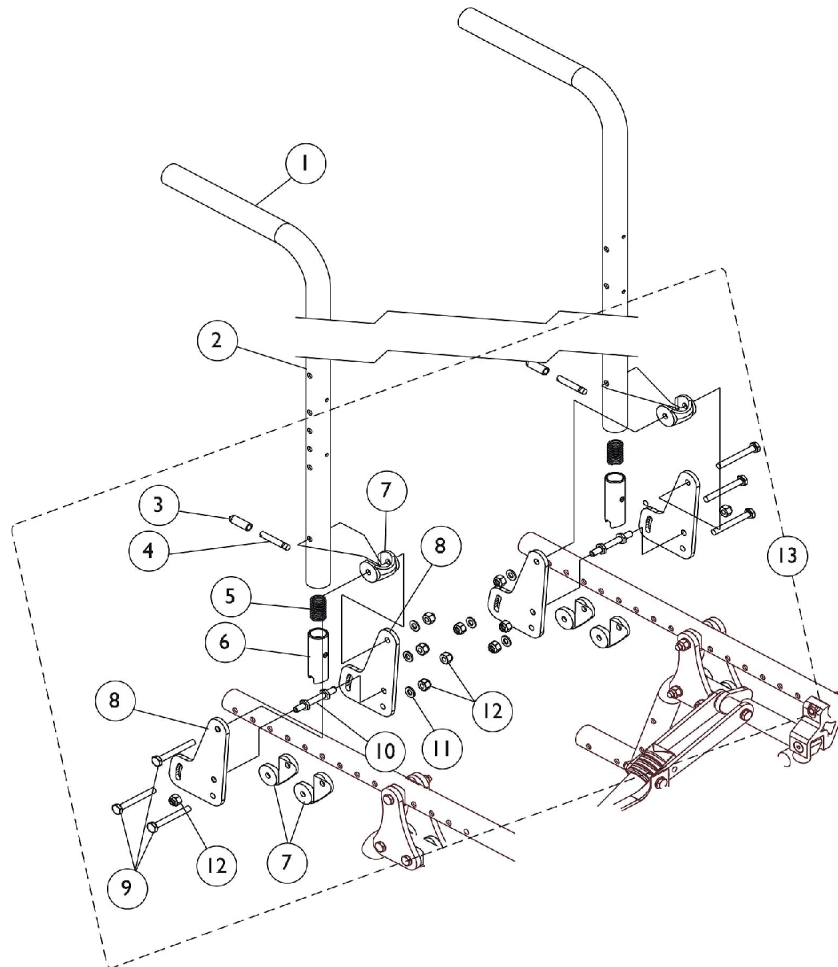
Tilt Hardware

Item Number	Note	Part Number	Description	Quantity Per	
				Package	Assembly
1		1026107	Screw, Phillips Pan Head (#10-32 x 1-3/8")	1	2
2		1078451	Release Handle Assembly w/ Cable	1	2
3		1021260	Tie Wrap (5-5/8" L)	1	1
4		1118469	Uni-Washer, Coved	1	6
5		1055347-NLA	NLA - Screw, Hex Head (1/4-28 x 1-1/2")	1	2
6		1026907	Washer (1/4 x 1/2 x 1/16")	1	14
7		1052957	Screw, Hex Head w/ Patch (1/4-20 x 2")	1	2
8	B	1054571	Kit, Sector Block - Right	1	1
8	B	1054572	Kit, Sector Block - Left	1	1
9		1065362	Locknut (1/4-28)	1	8
10		1118471-NLA	NLA - Plate, Tilt	1	4
11		1055350	Screw, Hex Head (1/4-28 x 2-1/4")	1	6
12		1118541-NLA	NLA - Screw, Hex Head (1/4-28 x 2-3/4")	1	2
13		1026099	Spacer, Coved (1/4 x 11/16 x 1/2")	1	4
14		1118472	Bracket, Lock Cylinder, Black	1	2
15		1025765	Locknut (1/4-28)	1	2
16		1060097-NLA	NLA - Screw, Socket Flat Head (1/4-28 x 1-1/2")	1	2
17		1118470	Sleeve, Cylinder	1	2
18		1118534	Bushing, Steel (5/16 x 1/4 x 1")	1	2
19		1071276-NLA	NLA - Nut, Hex (1/4-20)	1	4
20		1073707	Clamp, Cylinder with Screws	1	2
21		1024006	Cylinder, Lock, Silver - Right	1	1
21		1037658	Cylinder, Lock, Silver - Left	1	1
22		1086207	Nut, Square (#10-32)	1	2
23	A	1118548	Tilt Hardware Kit (Both Sides)	2	1

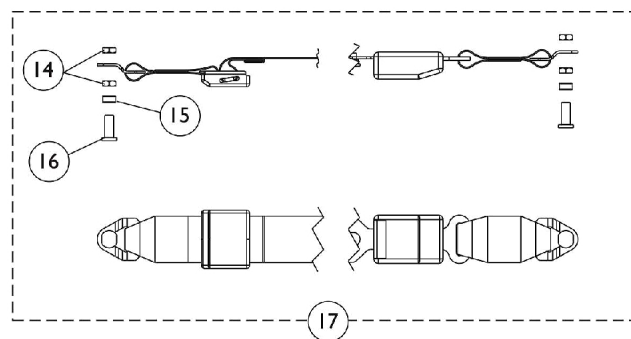
NOTE: A - Includes items 1-22
 B - Includes sector block and hardware, items 6 and 7.

Back Canes, Hardware, and Pelvic Positioning Strap

Transport Ready Chairs requiring Backrest Hardware parts must be returned to Invacare for service.



Non Transport Ready Chairs



Pelvic Positioning Strap

Back Canes, Hardware, and Pelvic Positioning Strap

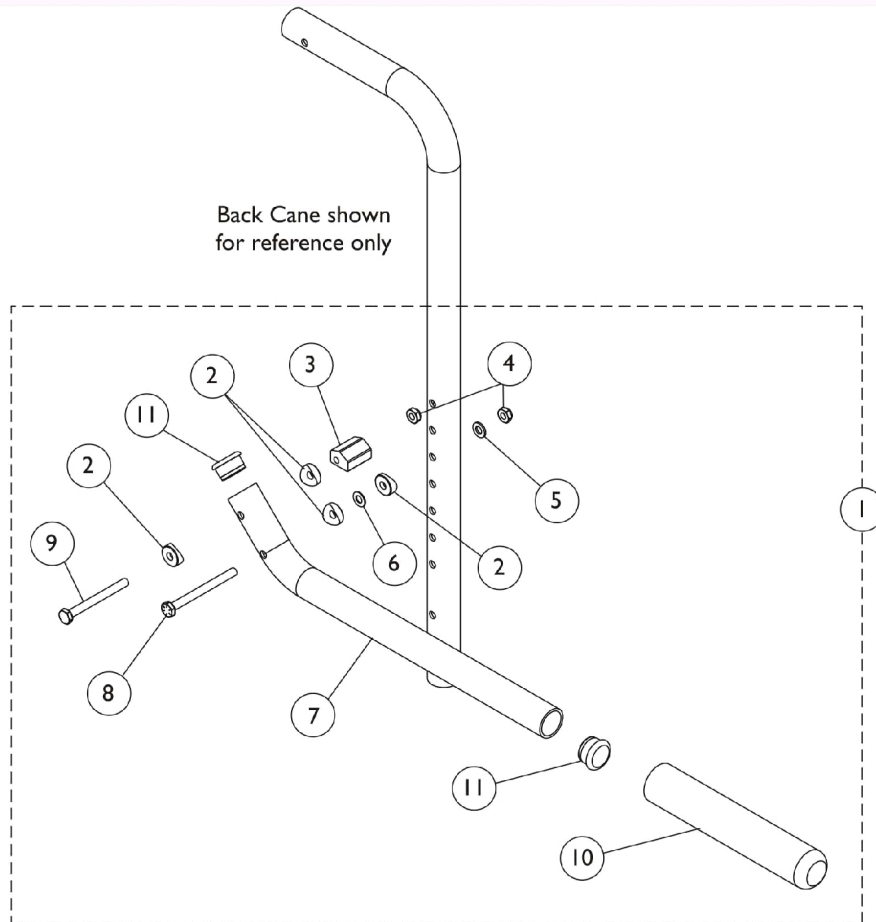
Transport Ready Chairs requiring Backrest Hardware parts must be returned to Invacare for service.

Item Number	Note	Part Number	Description	Quantity Per	
				Package	Assembly
1		1055398	Grip, Hand, Foam (4")	1	1
2		1118592	Back Cane Assembly, Black - Right/Left (20" H)	1	1
2		1118593	Back Cane Assembly, Black - Right/Left (24" H)	1	1
3		1059271	Tip, Plastic, Black	1	2
4		1058545	Lever, Actuator	1	2
5		1011511	Spring, Compression (5/8 x 1 x 3/64")	1	2
6		1058232	Plug, Latch	1	2
7		1118469	Uni-Washer, Coved	1	6
8		1118474	Plate, Back Angle	1	2
9		1055349	Screw, Hex Head (1/4-28 x 2")	1	6
10		1059127	Pin, Locking	1	2
11		1026907	Washer (1/4 x 1/2 x 1/16")	1	6
12		1065362	Locknut (1/4-28)	1	10
13	A	1118550	Hardware, Backrest, Non Transport Ready (Both Sides)	2	1
14		1118579-NLA	NLA - Nut, Hex Jam (3/8-16)	1	4
15		1118568-NLA	NLA - Bushing, Nylon (5/16 x 7/16 x 5/32")	1	2
16		1118569-NLA	NLA - Pin, Threaded	1	2
17	B	1118580-NLA	NLA - Pelvic Positioning Strap w/ Hardware (37" Long)	1	1

NOTE: A - Includes items 3-12
B - Includes Positioning Strap plus items 14-16

Cantilever Arms - AT99N

Non-Locking Bolt On



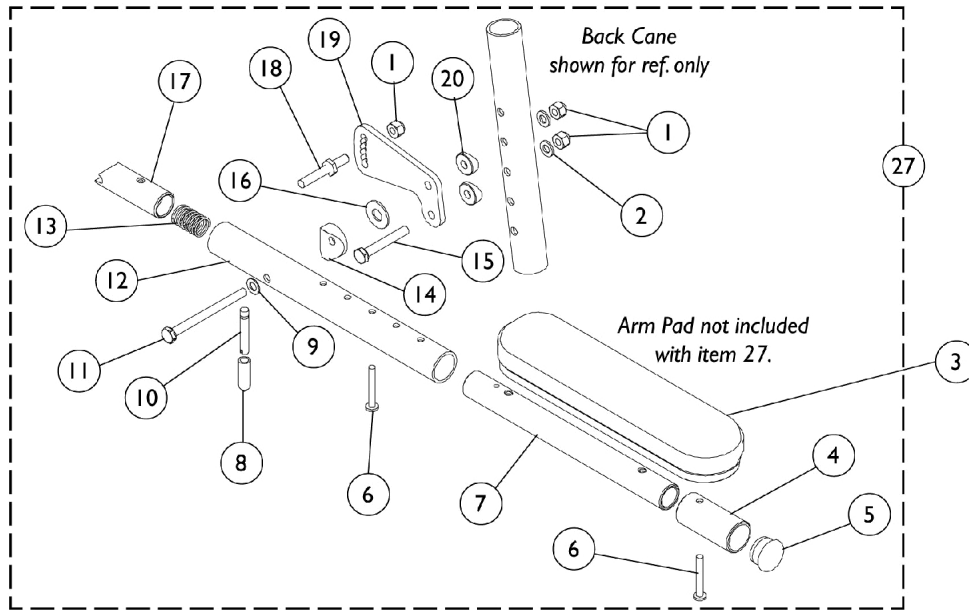
Cantilever Arms - AT99N Non-Locking Bolt On

Item Number	Note	Part Number	Description	Quantity Per	
				Package	Assembly
1	A	1118594	Cantilever Arm Assembly - Right	1	1
2			Spacer, Coved (1/4 x 11/16 x 1/2")	1	4
3			NLA - Cam, Cantilever Arm	1	1
4			Locknut (1/4-28)	1	2
5			Washer (1/4 x 1/2 x 1/16")	1	1
6			Washer, Nylon (1/4 x 1/2 x 1/32")	1	1
7			NLA - Tube, Cantilever Arm, Black	1	1
8			NLA - Screw, Hex Head (1/4-28 x 2-3/4")	1	1
9			NLA - Screw, Hex Head (1/4-28 x 2-1/2")	1	1
10			Grip, Foam Hand (6-7/8" L)	1	1
11			Plug Button, Black (1")	1	2
1	A	1118595	Cantilever Arm Assembly - Left	1	1
2			Spacer, Coved (1/4 x 11/16 x 1/2")	1	4
3			NLA - Cam, Cantilever Arm	1	1
4			Locknut (1/4-28)	1	2
5			Washer (1/4 x 1/2 x 1/16")	1	1
6			Washer, Nylon (1/4 x 1/2 x 1/32")	1	1
7			NLA - Tube, Cantilever Arm, Black	1	1
8			NLA - Screw, Hex Head (1/4-28 x 2-3/4")	1	1
9			NLA - Screw, Hex Head (1/4-28 x 2-1/2")	1	1
10			Grip, Foam Hand (6-7/8" L)	1	1
11			Plug Button, Black (1")	1	2

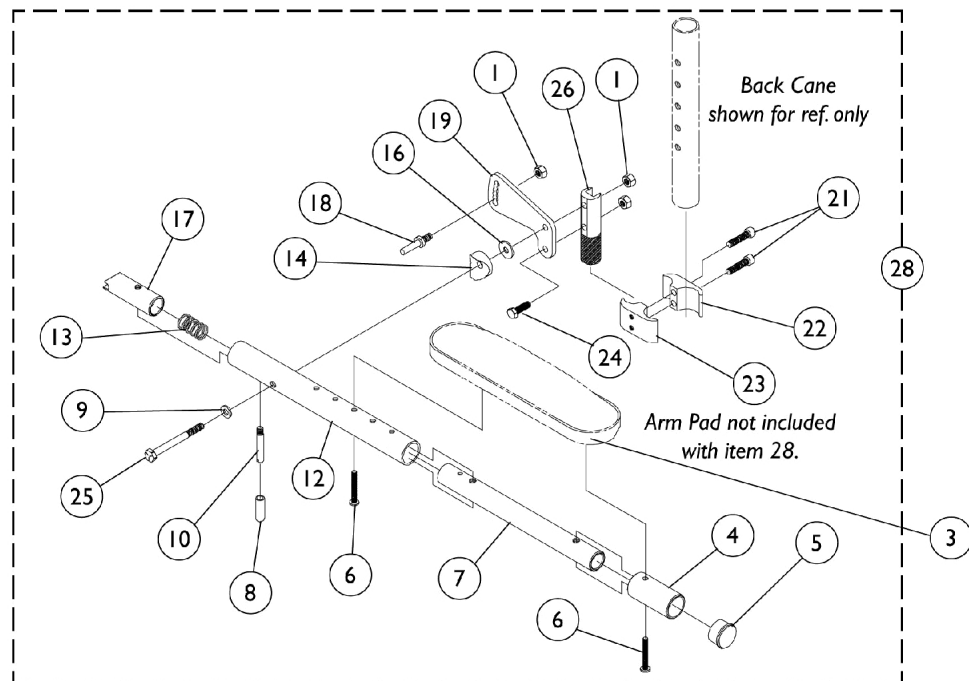
NOTE: A - Includes items 2-11

Cantilever Arms - AT55D & AT55F

Locking - Desk and Full Length



Bolt On Cantilever Arm without Arm Pads



Clamp On Cantilever Arm without Arm Pads

Cantilever Arms - AT55D & AT55F

Locking - Desk and Full Length

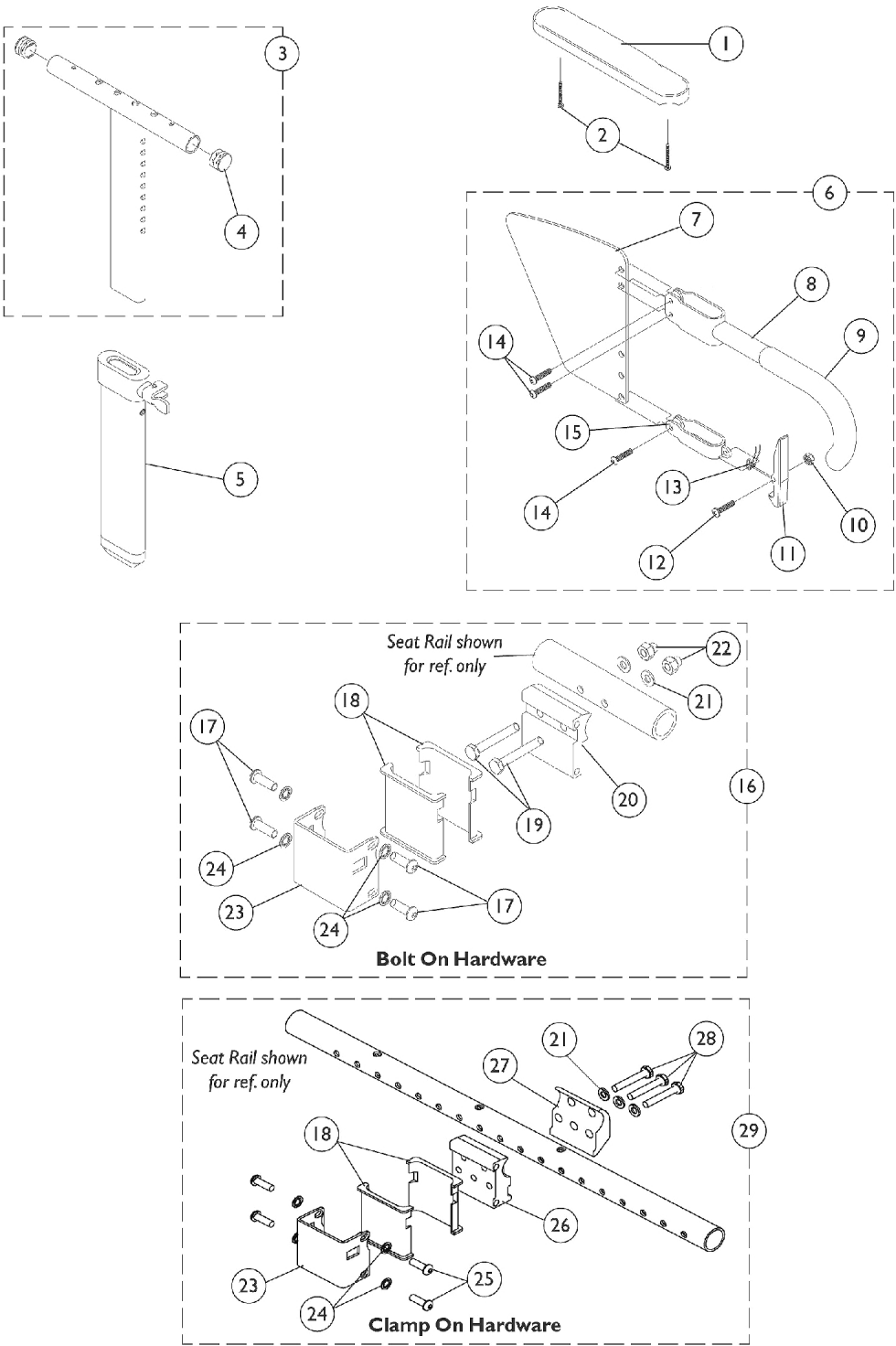
Item Number	Note	Part Number	Description	Quantity Per	
				Package	Assembly
1		1065362	Locknut (1/4-28)	1	3
2		1026907	Washer (1/4 x 1/2 x 1/16")	1	2
3	A	8881053578	Kit, Arm Pad w/ Screws, Desk Length (9" L x 2" W) (Pair)	2	1
3	A	8881053577	Kit, Arm Pad w/ Screws, Full Length (14" L x 2" W) (Pair)	2	1
4		1042598	Tube, Arm, Extension, Black	1	1
5		1056328	Plug Button, Black (1")	1	1
6		1026107	Screw, Phillips Pan Head (#10-32 x 1-3/8")	1	2
7		1068600	Tube, Slide, Cantilever Arm, Black	1	1
8		1059271	Tip, Plastic, Black	1	1
9		1026103	Washer, Nylon (1/4 x 1/2 x 1/32")	1	1
10		1058545	Lever, Actuator	1	1
11		1059374	Screw, Hex Head (1/4-28 x 3")	1	1
12		1068588	Tube, Arm, Black	1	1
13		1011511	Spring, Compression (5/8 x 1 x 3/64")	1	1
14		40157X020	Spacer, Coved (1/4 x 1 x 9/16")	1	1
15		1055348	Screw, Hex Head (1/4-28 x 1-3/4")	1	1
16		1012371	Washer, Nylon (3/8 x 7/8 x 1/16")	1	1
17		1058232	Plug, Latch	1	1
18		1058231-NLA	NLA - Pin, Locking	1	1
19		1058542	Bracket, Armrest Mounting, Black	1	1
20		1026099	Spacer, Coved (1/4 x 11/16 x 1/2")	1	2
21		1153853	Screw, Socket Head (1/4-20 x 1")	1	2
22	E	1013970-NLA	NLA - Lockwasher, High Collar (1/4")	1	2
23		1043711	Clamp, Half, Non-Threaded	1	1
24		1043712	Clamp, Half, Threaded	1	1
25		1055346-NLA	NLA - Screw, Hex Head (1/4-28 x 3/4")	1	1
26		1055349	Screw, Hex Head (1/4-28 x 2")	1	1
27	B,C	1062787	Arm Support, Clamp On	1	1
27	B,C	1068654	Kit, Cantilever Arm, Bolt On - Right	1	1
27	B,C	1068655	Kit, Cantilever Arm, Bolt On - Left	1	1
28	B,D	1068656	Arm Assembly, Cantilever - Right	1	1
1			Locknut (1/4-28)	1	3
4			Tube, Arm, Extension, Black	1	1
5			Plug Button, Black (1")	1	1
6			Screw, Phillips Pan Head (#10-32 x 1-3/8")	1	2
7			Tube, Slide, Cantilever Arm, Black	1	1
8			Tip, Plastic, Black	1	1
9			Washer, Nylon (1/4 x 1/2 x 1/32")	1	1
10			Lever, Actuator	1	1
12			Tube, Arm, Black	1	1
13			Spring, Compression (5/8 x 1 x 3/64")	1	1

Cantilever Arms - AT55D & AT55F

Locking - Desk and Full Length

Item Number	Note	Part Number	Description	Quantity Per	
				Package	Assembly
14			Spacer, Coved (1/4 x 1 x 9/16")	1	1
16			Washer, Nylon (3/8 x 7/8 x 1/16")	1	1
17			Plug, Latch	1	1
18			NLA - Pin, Locking	1	1
19			Bracket, Armrest Mounting, Black	1	1
21			Screw, Socket Head (1/4-20 x 1")	1	2
			NLA - Lockwasher, High Collar (1/4")	1	2
22			Clamp, Half, Non-Threaded	1	1
23			Clamp, Half, Threaded	1	1
24			NLA - Screw, Hex Head (1/4-28 x 3/4")	1	1
25			Screw, Hex Head (1/4-28 x 2")	1	1
26			Arm Support, Clamp On	1	1
28	B,D	1068657	Arm Assembly, Cantilever - Left	1	1
1			Locknut (1/4-28)	1	3
4			Tube, Arm, Extension, Black	1	1
5			Plug Button, Black (1")	1	1
6			Screw, Phillips Pan Head (#10-32 x 1-3/8")	1	2
7			Tube, Slide, Cantilever Arm, Black	1	1
8			Tip, Plastic, Black	1	1
9			Washer, Nylon (1/4 x 1/2 x 1/32")	1	1
10			Lever, Actuator	1	1
12			Tube, Arm, Black	1	1
13			Spring, Compression (5/8 x 1 x 3/64")	1	1
14			Spacer, Coved (1/4 x 1 x 9/16")	1	1
16			Washer, Nylon (3/8 x 7/8 x 1/16")	1	1
17			Plug, Latch	1	1
18			NLA - Pin, Locking	1	1
19			Bracket, Armrest Mounting, Black	1	1
21			Screw, Socket Head (1/4-20 x 1")	1	2
			NLA - Lockwasher, High Collar (1/4")	1	2
22			Clamp, Half, Non-Threaded	1	1
23			Clamp, Half, Threaded	1	1
24			NLA - Screw, Hex Head (1/4-28 x 3/4")	1	1
25			Screw, Hex Head (1/4-28 x 2")	1	1
26			Arm Support, Clamp On	1	1
<p>NOTE: A - Specify upholstery color U67 Black when ordering. B - Arms do not include Arm Pads, they must be ordered separately. C - Includes items 1,2,4-20 D - Includes items 1,4-10,12-14,16-19, and 21-26 E - Not Shown.</p>					

"T" Arms and Hardware



"T" Arms and Hardware

Item Number	Note	Part Number	Description	Quantity Per	
				Package	Assembly
1	A	8881053570	Kit, Arm Pad w/ Screws, Desk Length (Pair)	2	1
1	A	8881053571	Kit, Arm Pad w/ Screws, Full Length (Pair)	2	1
2		1025714	Screw, Phillips Pan Head (#10-32 x 1-1/8")	1	2
3		1069639	T-Arm Assembly w/ Plug Buttons, Desk Length, Low Range, Black	1	1
3		1069641	T-Arm Assembly w/ Plug Buttons, Desk Length, High Range, Black	1	1
3		1069643	T-Arm Assembly w/ Plug Buttons, Full Length, Low Range, Black	1	1
3		1069645	T-Arm Assembly w/ Plug Buttons, Full Length, High Range, Black	1	1
4		1027095	Plug Button, Black (7/8")	1	2
5		1069635	Post, Arm, Low Range	1	1
5		1069637	Post, Arm, High Range	1	1
6		1073424	Kit, Clothing Guard, Low Range - Right	1	1
6		1073425	Kit, Clothing Guard, Low Range - Left	1	1
6		1073422	Kit, Clothing Guard, High Range - Right	1	1
6		1073423	Kit, Clothing Guard, High Range - Left	1	1
7		1069652-NLA	NLA - Guard, Clothing, Low Range	1	1
7		1069651-NLA	NLA - Guard, Clothing, High Range	1	1
8		1069634	Tube, Support, Low Range, Black - Right	1	1
8		1073247-NLA	NLA - Tube, Support, Low Range, Black - Left	1	1
8		1069650-NLA	NLA - Tube, Support, High Range, Black - Right	1	1
8		1073246	Tube, Support, High Range, Black - Left	1	1
9		1028427	Grip, Foam	1	1
10		1025731	Locknut (#10-32)	1	1
11		1076839-NLA	NLA - Lever, Locking	1	1
12		1025716	Screw, Phillips Pan Head (#10-32 x 11/16")	1	1
13		1073196-NLA	NLA - Spring, Torsion	1	1
14		1006773-NLA	NLA - Screw, Socket Button Head (1/4-20 x 1/2")	1	3
15		1075069-NLA	NLA - Clamp, Clothing Guard - Right	1	1
15		1075070-NLA	NLA - Clamp, Clothing Guard - Left	1	1
16	B	1069632	Arm Socket Assembly, Bolt On	1	1
17		1055305-NLA	NLA - Screw, Socket Button Head (1/4-28 x 3/4")	1	4
18		1069609	Insert, Arm Socket, Black	1	2
19		1055348	Screw, Hex Head (1/4-28 x 1-3/4")	1	2
20		1069629-NLA	NLA - Bracket, T-Arm Socket, Threaded, Black	1	1
21	C	1026907	Washer (1/4 x 1/2 x 1/16")	1	2
22		1085111	Nut, Hex (1/4-28)	1	3
23		1069620-NLA	NLA - Bracket, Socket, Black	1	1
24		1026108	Lockwasher (1/4 x 15/32 x 1/64")	1	4
25		1055346-NLA	NLA - Screw, Hex Head (1/4-28 x 3/4")	1	4
26		1075162-NLA	NLA - Clamp, "T" Arm Socket - Outside	1	1
27		1069605	Clamp, "T" Arm Socket - Inside	1	1
28		1055298	Screw, Hex Head (1/4-28 x 1-5/8")	1	3

"T" Arms and Hardware

Item Number	Note	Part Number	Description	Quantity Per	
				Package	Assembly
29	D	1069627-NLA	NLA - Arm Socket Assembly, Clamp On	1	1
	E	See Chart	"T" Arm Kits	1	1
NOTE: A - Specify upholstery color U67 Black when ordering. B - Includes items 17-24 C - 3 ea. are required for Clamp On style hardware. D - Includes items 18,21,23-28 E - Includes items 1-3 and 5-6.					

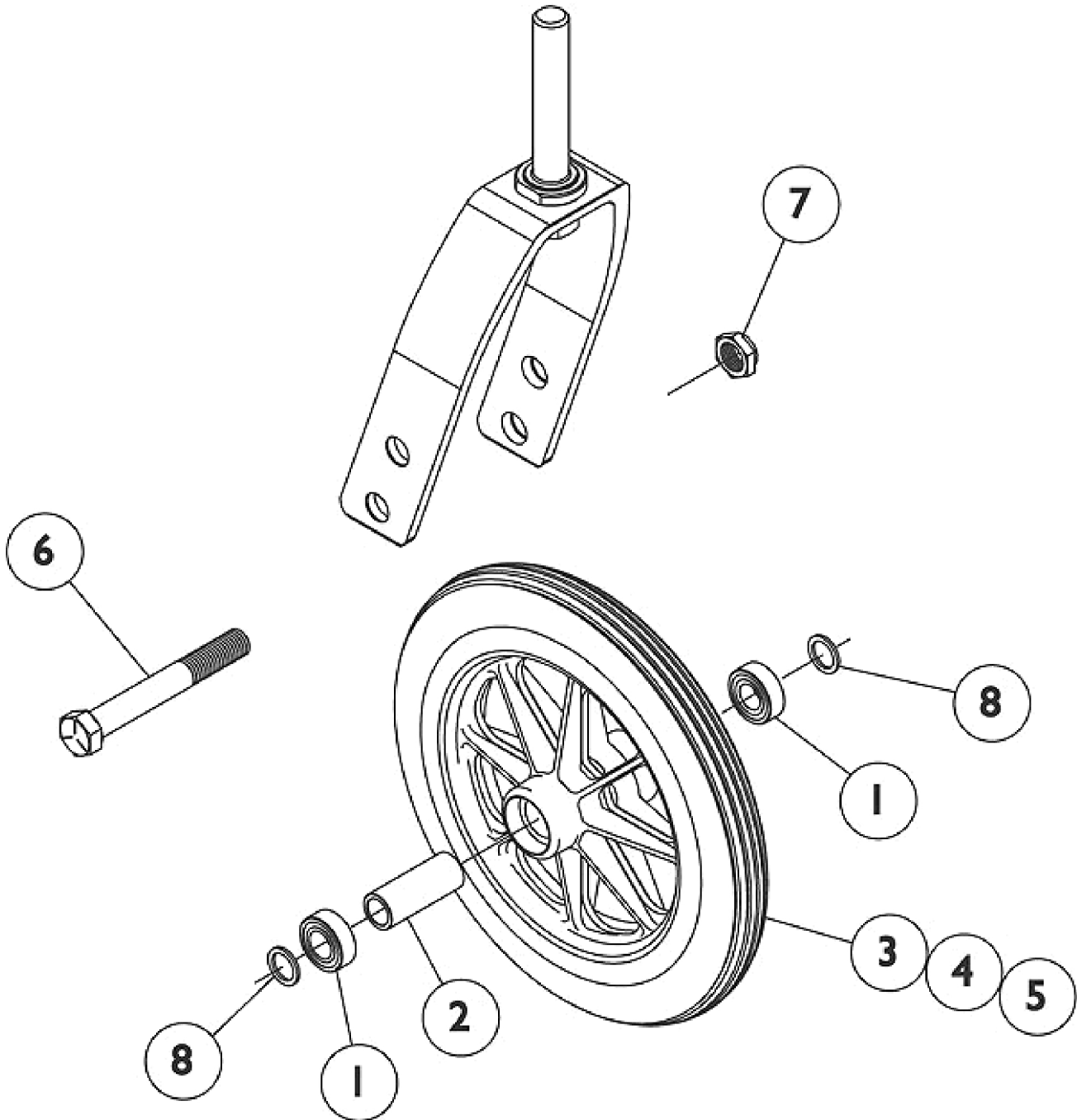
"T" Arm Kits

Kits Include Items 1-3,5-6

Part Number	Arm Style
8881074078	Desk Length, Low Range (1 Pair)
8881074079	Desk Length, High Range (1 Pair)
8881074080	Full Length, Low Range (1 Pair)
8881074081-NLA	Full Length, High Range (1 Pair)
Specify U67 upholstery color when ordering.	

Casters and Hardware (Before 7/1/11)

After 10/4/09, the 5SOFT (5") Semi-Pneumatic is no longer available and is replaced as a 5SOFT (5") Urethane. Order caster in pairs for wheelchairs manufactured before 10/5/09.



Casters and Hardware (Before 7/1/11)

After 10/4/09, the 5SOFT (5") Semi-Pneumatic is no longer available and is replaced as a 5SOFT (5") Urethane. Order caster in pairs for wheelchairs manufactured before 10/5/09.

#1 - 5 Casters

Caster Option	Wheel Size	Tire Type	Item 1. Bearing	Item 2. Bearing Spacer	Item 3. Wheel w/ Bearings	Item 4. Tire	Item 5. Tube/Insert
AT900	3"	Roller	40117X026	1026172	1032190-NLA	N/A	N/A
4SOFT	4"	Semi Pneumatic	40117X026	1026172	1114142	N/A	N/A
4SPLT	4"	Urethane Light-Up	40117X026	1026172	1060910	N/A	N/A
5SOFT See Note(s) A	5"	Urethane	N/A	1025726	1128071	N/A	N/A
AT901	5"	Urethane	40117X026	1026172	1029496	N/A	N/A
AT902	6"	Urethane	N/A	N/A	1034352 See Note(s) B	N/A	N/A
6PNEU	6"	Pneumatic	40117X026	1026172	1044040	1026010-NLA	1026011-NLA
1259	6 x 2"	Semi Pneumatic Urethane	1006049	1020592	1115179	N/A	N/A
AT903	8 x 1-1/4"	Urethane	1040102	1037911	1058649	1038157	N/A
AT1292FF	8 x 1-1/4"	Pneumatic w/ Flat Free	1006049	1020592	1030773	40176X040	1010904-NLA
NOTE: A - After 10/4/09, the 5SOFT (5") Semi-Pneumatic is no longer available and is replaced as a 5SOFT (5") Urethane. Order caster in pairs for wheelchairs manufactured before 10/5/09. B - Consists of (2) Casters.							

Casters and Hardware (Before 7/1/11)

After 10/4/09, the 5SOFT (5") Semi-Pneumatic is no longer available and is replaced as a 5SOFT (5") Urethane. Order caster in pairs for wheelchairs manufactured before 10/5/09.

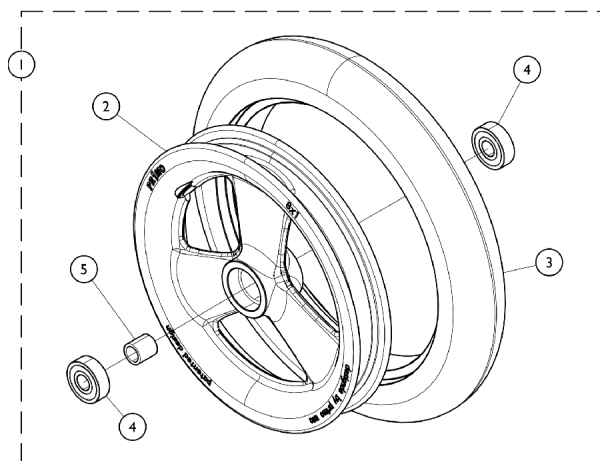
#6 - 8 Caster Hardware

Caster Option	Wheel Size	Tire Type	Item 6. Axle	Item 7. Locknut	Item 8. Washer
AT900	3"	Roller	1026908	1026172	1026160
4SOFT	4"	Semi Pneumatic	1026908	1026172	1026160
4SPLT	4"	Urethane Light-Up	1026908	1026172	1026160
5SOFT	5"	Urethane	1026908	1025726	1026160
AT901	5"	Urethane	1026908	1026172	1026160
AT902	6"	Urethane	1026908	1026172	1026160
6PNEU	6"	Pneumatic	1026908	1026172	1026160
1259	6 x 2"	Semi Pneumatic	1025726	1020592	1025724
AT903	8 x 1-1/4"	Urethane	57667P007	1037911	N/A
AT1292FF	8 x 1-1/4"	Pneumatic w/ Flat Free	1025726	1020592	1025724

Casters (After 6/29/11)

Standard Caster Components

(Some Components may not be available as Stand Alone Service Parts)



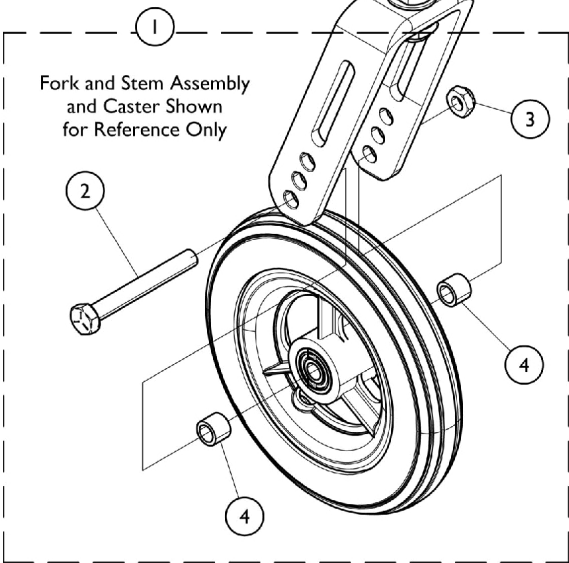
Casters

Caster Option	Wheel Size	Tire Type	Caster Assembly	Rear Wheel Option	Seat to Floor Dimension
AT900	4 x 1"	Urethane	1032190-NLA	12COM 22COM	16 - 17" 16-1/2 - 17"
41DC	4 x 1"	Urethane	1164317-NLA	12COM 22COM	15-1/2, 16, 16-1/2, 17, 17-1/2"
51DC	5 x 1"	Urethane	1169260	12COM 20COM 22COM 24COM	16 - 17-1/2" 17-1/2" 16-1/2" - 17-1/2" 17-1/2"
61DC	6 x 1"	Urethane	1164314	12COM 20COM 22COM 24COM	17, 17-1/2" 17-1/2" - 18-1/2" 17 - 18" 17-1/2 - 18-1/2"
615DC	6 x 1-1/2"	Urethane	1164313	12COM 20COM 22COM 24COM	17, 17-1/2" 17-1/2" - 18-1/2" 17 - 18" 17-1/2 - 18-1/2"
1259	6 x 2"	Semi Pneumatic Urethane	1115179	12COM 20COM 22COM 24COM	17-1/2" 17-1/2", 19" 17-1/2" 17-1/2", 19"
81DC	8 x 1"	Urethane	1164315	20COM 24COM	18-1/2"
815DC	8 x 1-1/2"	Urethane	1164316	20COM 24COM	18-1/2"

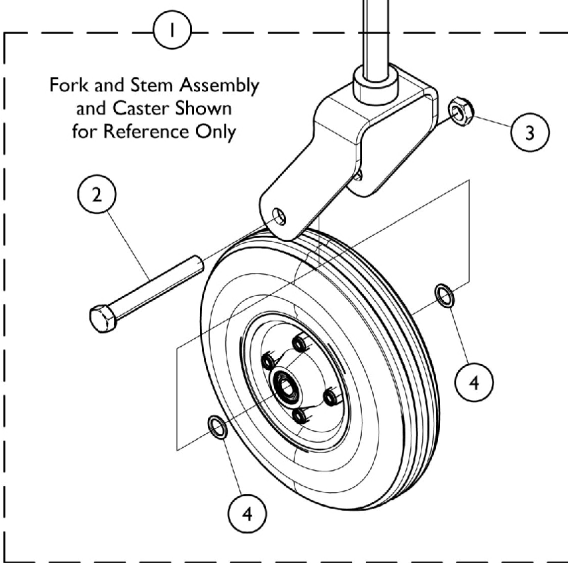
NOTE: Caster Wheel Assembly includes the following items: Tire, Wheel, Bearings (2), and Spacer.

Casters - Mounting Hardware (After 6/29/11)

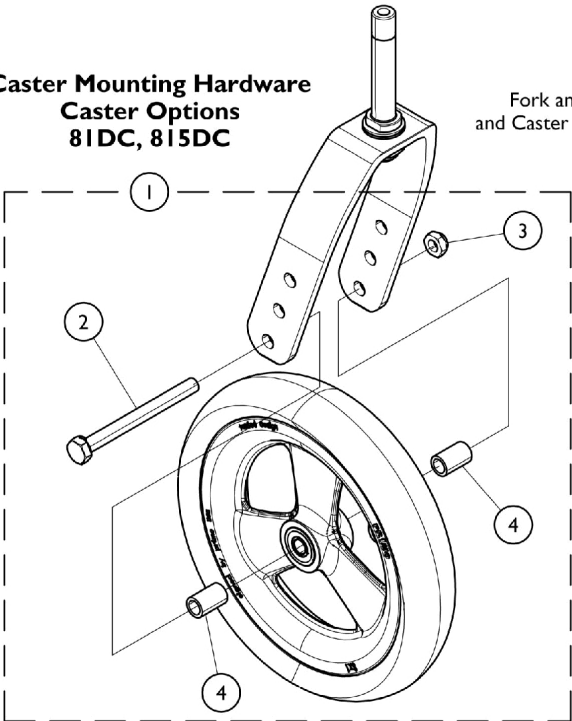
**Caster Mounting Hardware
Caster Options
AT900, 41DC, 4SPLT, 51DC
61DC, 615DC**



**Caster Mounting Hardware
Caster Option
1259**



**Caster Mounting Hardware
Caster Options
81DC, 815DC**

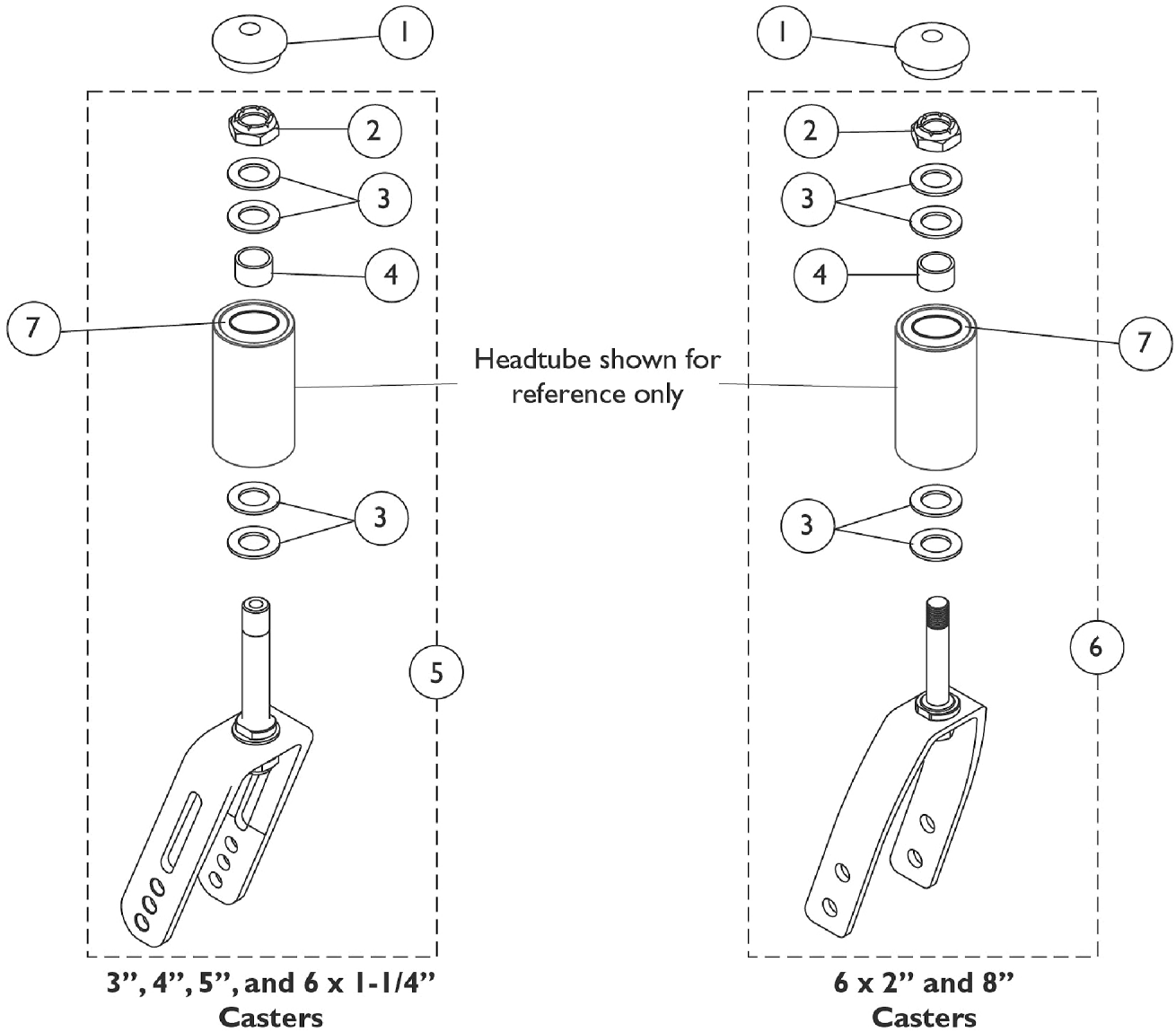


Casters - Mounting Hardware (After 6/29/11)

Caster Option	Wheel Size	Tire Type	Item 1. Kit, Caster Hardware (Pair)	Item 2. Axle	Item 3. Locknut	Item 4. Axle Spacer
AT900	3"	Roller	1026926-NLA	1026908	1025730	1026160
4SPLT 41DC 5SOFT 51DC	4 x 1" 4 x 1" 5 x 1" 5 x 1"	Urethane	1026926-NLA	1026908	1025730	1026160
61DC 615DC	6 x 1" 6 x 1-1/2"	Urethane	1026926-NLA	1026908	1025730	1026160
1259	6 x 2"	Semi Pneumatic	1042489 See Note(s) A	1025726	1025734	1025724
81DC	8 x 1"	Urethane	1161851-NLA	N/A	N/A	N/A
815DC	8 x 1-1/2"	Urethane	1161851-NLA	N/A	N/A	N/A
NOTE: A - Caster Hardware #1042489 accommodates 1 side only.						
NOTE: Kit, Caster Hardware includes Axle, Locknut, and Axle Spacer.						

Forks and Hardware (Before 7/1/11)

(Upper hole on fork determines the lowest STF dimension)



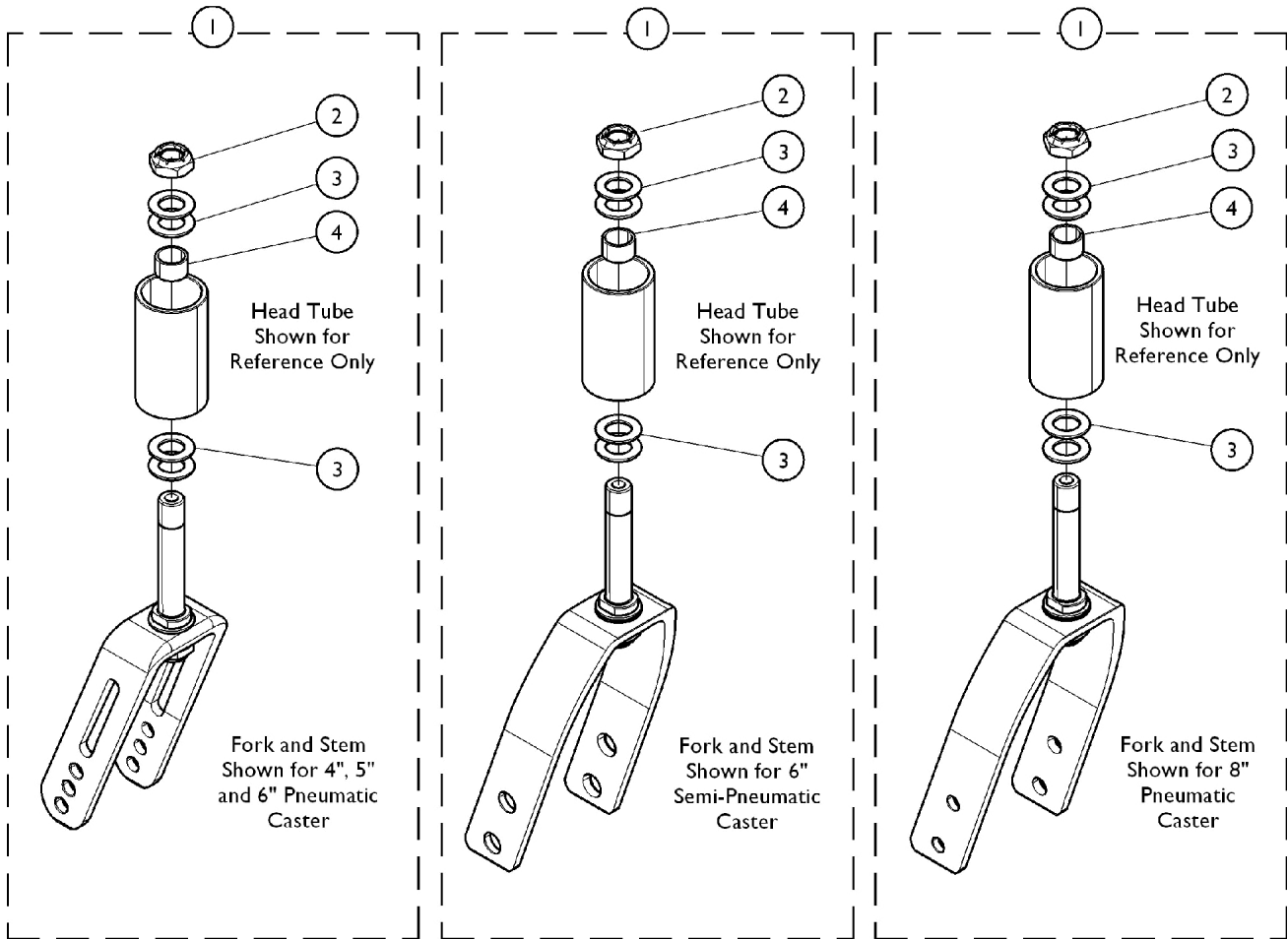
Forks and Hardware (Before 7/1/11)

(Upper hole on fork determines the lowest STF dimension)

Item Number	Note	Part Number	Description	Quantity Per	
				Package	Assembly
1		1088523	Plug Button, Head Tube, Black	1	2
2		1025737	Locknut (1/2-20)	1	1
3		1026174	Washer (1/2 x 7/8 x 3/64")	1	2
4		1111931	Spacer (1/2 x 5/8 x 3/8")	1	1
5	A	1118545	Kit, Fork (5") w/ Short Stem	1	1
			NLA - Fork, Caster	1	1
			Stem, Fork, Short	1	1
2			Locknut (1/2-20)	1	2
3			Washer, Plain (1/2 x 7/8 x 1/16)	1	6
4			Spacer (1/2 x 5/8 x 3/8")	1	1
6	B	1118546	Kit, Fork Assembly w/ Hardware (6 x 2" - 8" Caster)	1	1
			Fork, Caster	1	1
			Stem, Fork, Short	1	1
2			Locknut (1/2-20)	1	2
3			Washer (1/2 x 7/8 x 3/64")	1	6
4			Spacer (1/2 x 5/8 x 3/8")	1	1
7		40117X021	Bearing (1/2" I.D. x 1-1/8" O.D.)	1	2
NOTE: A - For 3", 4", 5", and 6 x 1-1/4" Casters, includes Fork and items 2 - 4.					
B - For 6 x 2" and 8" Casters, Includes Fork and items 2 - 4.					

Forks and Hardware (After 6/29/11)

(Upper hole on fork determines the lowest STF dimension)



**Hardware for Caster Options
AT900, 41DC, 4SPLT, 51DC
61DC, 615DC**

**Hardware for Caster Options
1259**

**Hardware for Caster Options
81DC, 815DC**

Forks and Hardware (After 6/29/11)

(Upper hole on fork determines the lowest STF dimension)

Item Number	Note	Part Number	Description	Quantity Per	
				Package	Assembly
1	A	1118545	Kit, Fork (5") w/ Short Stem	1	1
			NLA - Fork, Caster	1	1
			Stem, Fork, Short	1	1
2			Locknut (1/2-20)	1	2
3			Washer, Plain (1/2 x 7/8 x 1/16)	1	6
4			Spacer (1/2 x 5/8 x 3/8")	1	1
1	A	1118546	Kit, Fork Assembly w/ Hardware (6 x 2" - 8" Caster)	1	1
			Fork, Caster	1	1
			Stem, Fork, Short	1	1
2			Locknut (1/2-20)	1	2
3			Washer (1/2 x 7/8 x 3/64")	1	6
4			Spacer (1/2 x 5/8 x 3/8")	1	1
1	A	1174529	Kit, Fork Assembly w/ Hardware (8" Caster)	1	1
			Fork, Caster	1	1
			Stem, Fork, Short	1	1
2			Locknut (1/2-20)	1	1
3			Washer (1/2 x 7/8 x 3/64")	1	4
4			Spacer (1/2 x 5/8 x 3/8")	1	1
2		1025737	Locknut (1/2-20)	1	1
3		1026174	Washer (1/2 x 7/8 x 3/64")	1	2
4		1111931	Spacer (1/2 x 5/8 x 3/8")	1	1
	B	1088523	Plug Button, Head Tube, Black	1	2
		See Chart	Fork Assembly w/ Hardware, Rear Wheels and STF Dimensions	1	1

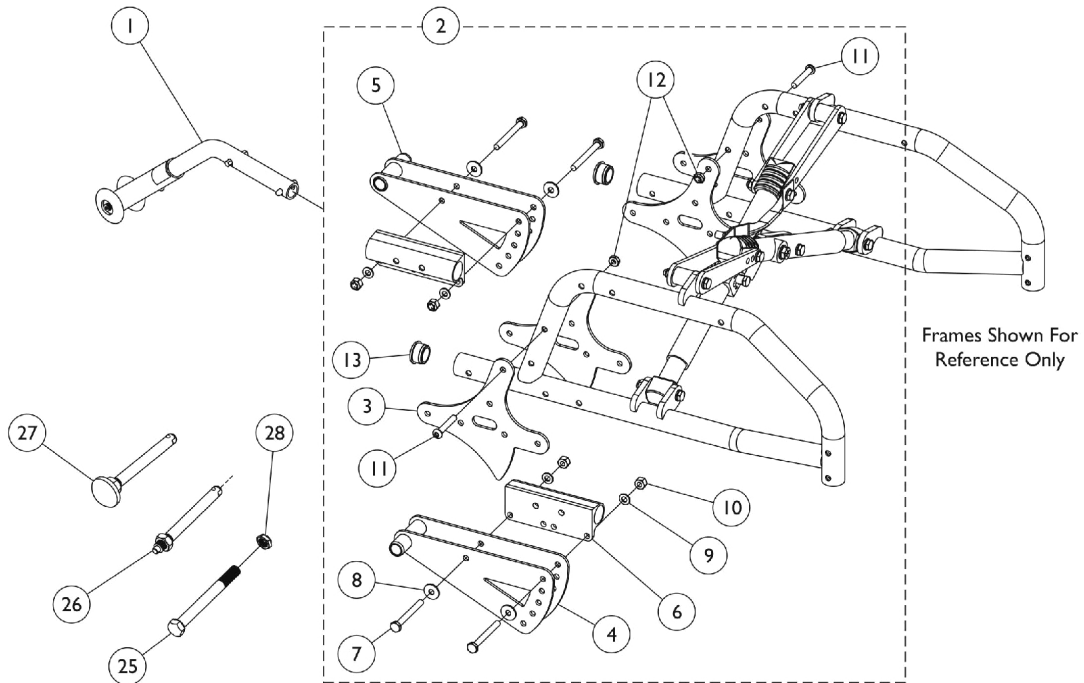
NOTE: A - Includes pre-assembled Fork and Stem in addition to Head Tube Mounting Hardware items 2 - 4.
B - Not Shown in illustration.

Forks and Hardware (After 6/29/11)
(Upper hole on fork determines the lowest STF dimension)
Fork Assembly w/ Hardware, Rear Wheels and STF Dimensions

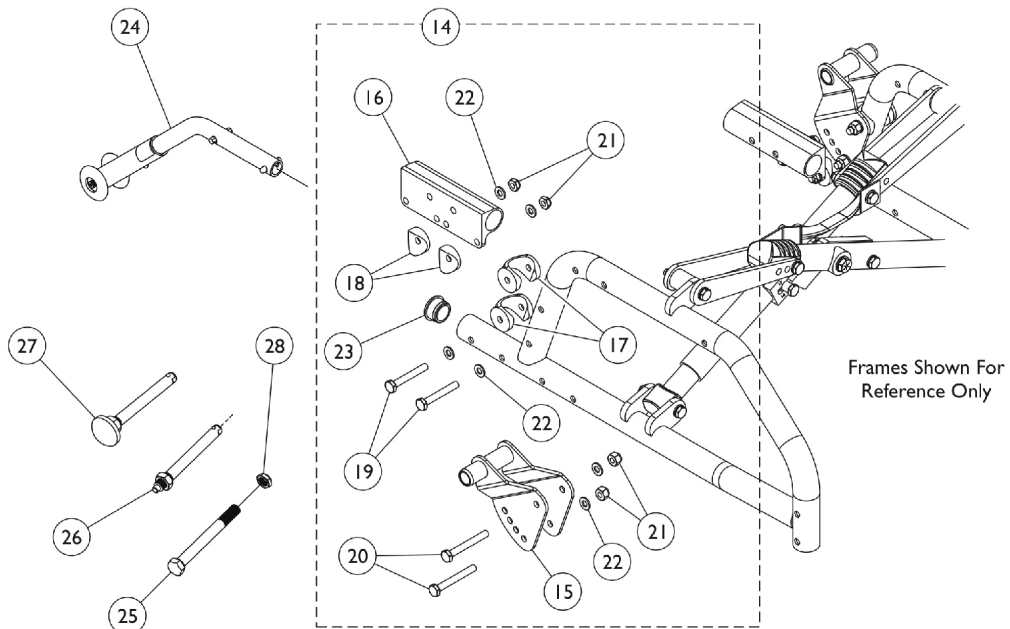
Caster Option	Caster Size	Rear Wheel Option	Seat to Floor Dimensions	Part Number
AT900	3"	12COM 22COM	16", 16-1/2", 17" 16-1/2", 17"	1118545
41DC 4SPLT	4 x 1"	12COM (12") 22COM (22")	15-1/2", 16" 16-1/2", 17-1/2" 16-1/2", 17"	1118545
5SOFT 51DC	5 x 1" 5 x 1-1/2"	12COM (12") 12COM (12") 20COM (20") 22COM (22") 24COM (24")	16", 16-1/2" 17", 17-1/2" 17-1/2" 16-1/2", 17", 17-1/2" 17-1/2"	1118545
61DC 615DC	6 x 1" 6 x 1-1/2"	12COM (12") 20COM (20") 22COM (22") 24COM (24")	17", 17-1/2" 17-1/2", 18", 18-1/2" 17", 17-1/2", 18" 17-1/2", 18", 18-1/2"	1118545
1259	6 x 2"	12COM (12") 20COM (20") 22COM (22") 24COM (24")	17-1/2" 17-1/2", 19" 17-1/2" 17-1/2", 19"	1118546
81DC, 815DC	8 x 1" 8 x 1-1/2"	20COM (20") 24COM (24")	18-1/2" 18-1/2"	1174529

Seat to Floor Heights are in 1/2 inch increments.

Axles, Axle Bracket Hardware, and Anti-Tips Chairs without Hublocks



12" and 20" Rear Wheels



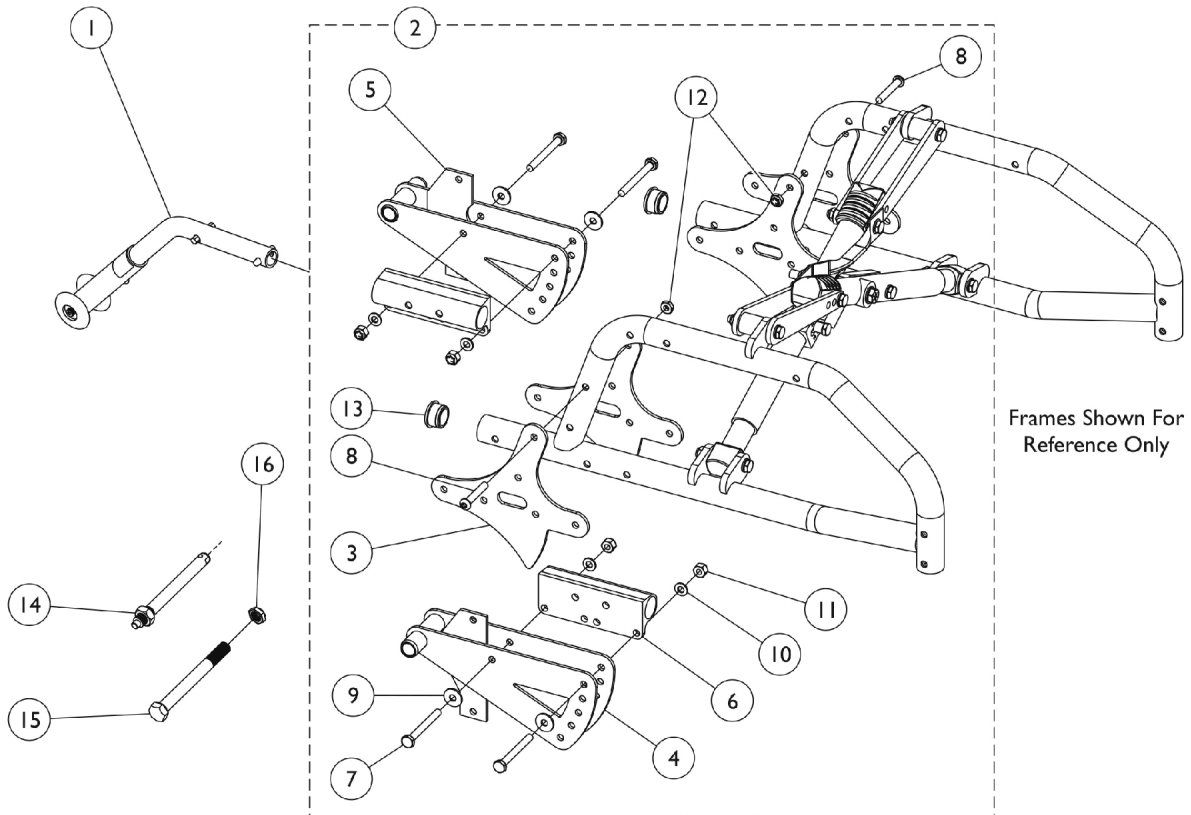
22" and 24" Rear Wheels

Axles, Axle Bracket Hardware, and Anti-Tips Chairs without Hublocks

Item Number	Note	Part Number	Description	Quantity Per	
				Package	Assembly
1	C	1118549	Anti-Tipper	1	2
2	A	1118553	Hardware, Axle Bracket, Both Sides (12" & 20" Rear Wheels)	1	1
3		1170354	Plate, Axle	1	4
4		1118487	Plate, Axle Tilt -Right	1	1
5		1118488	Plate, Axle Tilt -Left	1	1
6		1118500-NLA	NLA - Bracket, Anti-Tipper, Black	1	2
7		1055350	Screw, Hex Head (1/4-28 x 2-1/4")	1	4
8		1026900	Washer (1/4 x 23/32 x 1/16")	1	4
9		1026907	Washer (1/4 x 1/2 x 1/16")	1	4
10		1065362	Locknut (1/4-28)	1	4
11		1163325	Screw, Socket Button Head (1/4-28 x 1-1/2")	1	2
12		1158026	Locknut (1/4-28)	1	2
13		1056328	Plug Button, Black (1")	1	2
14	B	1118554	Hardware, Axle Bracket, Both Sides (22" & 24" Rear Wheels)	1	1
15	H	1118562-NLA	NLA - Plate, Axle Self Propel -Right	1	1
16		1118500-NLA	NLA - Bracket, Anti-Tipper, Black	1	2
17		1118469	Uni-Washer, Coved	1	4
18		40157X020	Spacer, Coved (1/4 x 1 x 9/16")	1	4
19		1055348	Screw, Hex Head (1/4-28 x 1-3/4")	1	4
20		1055349	Screw, Hex Head (1/4-28 x 2")	1	4
21		1065362	Locknut (1/4-28)	1	8
22		1026907	Washer (1/4 x 1/2 x 1/16")	1	12
23		1056328	Plug Button, Black (1")	1	2
24	D	1118560-NLA	NLA - Anti-Tipper	1	2
25	G	1049227	Screw, Hex Head (1/2-20 x 5-1/4")	1	2
26	F	1040361	Axle, Quick Release w/ Locknut (1/2" x 5")	1	2
27	E	1113049	Axle, Quick Release w/ Dome Button, Black	1	2
28		1025737	Locknut (1/2-20)	1	2

NOTE: A - Includes items 3 - 13.
 B - Includes items 15 - 22.
 C - Chairs with 12" and 20" Wheels.
 D - Chairs with 22" and 24" Wheels.
 E - Use with Spoke Rear Wheels.
 F - Use with Composite Rear Wheels.
 G - Permanent Axle. Use with Spoke/Composite Rear Wheels.
 H - No longer Available. See item 14 as a replacement.

Axles, Axle Bracket Hardware, and Anti-Tips Chairs with Hublocks



12" and 20" Composite Rear Wheels Only

Axles, Axle Bracket Hardware, and Anti-Tips Chairs with Hublocks

Item Number	Note	Part Number	Description	Quantity Per	
				Package	Assembly
1	A	1118549	Anti-Tipper	1	2
2	A,B	1132603	Kit, Axle Bracket Hublock Hardware	2	1
3		1170354	Plate, Axle	1	4
4		1132563-NLA	NLA - Plate, Axle Tilt Hublock - Right	1	1
5		1132564	Plate, Axle Tilt Hublock - Left	1	1
6		1118500-NLA	NLA - Bracket, Anti-Tipper, Black	1	2
7		1055350	Screw, Hex Head (1/4-28 x 2-1/4")	1	4
8		1163325	Screw, Socket Button Head (1/4-28 x 1-1/2")	1	2
9		1026900	Washer (1/4 x 23/32 x 1/16")	1	4
10		1026907	Washer (1/4 x 1/2 x 1/16")	1	4
11		1065362	Locknut (1/4-28)	1	4
12		1158026	Locknut (1/4-28)	1	2
13		1056328	Plug Button, Black (1")	1	2
14		1040361	Axle, Quick Release w/ Locknut (1/2" x 5")	1	2
15		1049227	Screw, Hex Head (1/2-20 x 5-1/4")	1	2
16		1025737	Locknut (1/2-20)	1	2

NOTE: A - Chairs with 12" and 20" Rear Wheels.
B - Includes items 2 - 13.

Rear Wheels - w/o Hublocks, w/o Handrims (After 9/1/11)

Wheels - Rear w/o Handrims, w/o Hublocks - Composite (COM)

Wheel Style	Wheel Size	Tire Type	Wheel w/o Hdrm.	Tire	Tube/ Insert	Bearing	Hub Spacer
12COM	12 x 2-1/4"	Pneumatic	1129498	1011524	1011525	40117X022	N/A
12COM	12 x 2-1/4"	Pneumatic w/ Flat Free	1129499	1011524	1027176	40117X022	N/A
20COM	20 x 1-1/4"	Urethane	1038364	1037774	N/A	40117X022	1015756
20COM	20 x 1-3/8"	Pneumatic	1026422	1017519	1017520	40117X022	1015756
20COM	20 x 1-3/8"	Pneumatic w/ Flat Free	1026423	1017519	1023322	40117X022	1015756
22COM	22 x 1-1/4"	Urethane	1032116	1028250	N/A	40117X022	1015756
22COM	22 x 1-3/8"	Pneumatic	1026420	1018544	1018545	40117X022	1015756
22COM	22 x 1-3/8"	Pneumatic w/ Flat Free	1026421	1018544	1023323	40117X022	1015756
24COM	24 x 1-1/4"	Urethane	1032118	1026904	N/A	40117X022	1015756
24COM	24 x 1-3/8"	Pneumatic	1026362-NLA	40176X060	40176X061	40117X022	1015756
24COM	24 x 1-3/8"	Pneumatic w/ Flat Free	1026363	40176X060	1010906	40117X022	1015756
24COM	24 x 1"	KiK	1091330	1062852	N/A	40117X022	1015756

Rear Wheels - w/o Hublocks, w/o Handrims (After 9/1/11)

Wheels - Rear w/o Handrims, w/o Hublocks - Lightweight Performance (ITESPK)

Wheel Style	Wheel Size	Tire Type	Wheel w/o Hdrm.	Tire	Tube/ Insert	Bearing	Hub Spacer
20ITESPK	20"	Pneumatic	1176797	1017519	1017520	N/A	N/A
20ITESPK	20"	Pneumatic w/ Flat Free	1176798	1017519	1023322	N/A	N/A
22ITESPK	22"	Pneumatic	1176799-NLA	1018544	1018545	N/A	N/A
22ITESPK	22"	Pneumatic w/ Flat Free	1176800-NLA	1018544	1023323	N/A	N/A
24ITESPK	24 x 1"	Pneumatic	1176802	1026138	1032240	N/A	N/A

Wheels - Rear w/o Handrims, w/o Hublocks - Standard (SP)

Wheel Style	Wheel Size	Tire Type	Wheel w/o Hdrm.	Tire	Tube/ Insert	Bearing	Hub Spacer
24SP	24 x 1-3/8"	Pneumatic	1115660	40176X060	40176X061	40117X021	1015756
24SP	24 x 1-3/8"	Pneumatic w/ Flat Free	1116707	40176X060	1010906	40117X021	1015756
24SP	24 x 1"	KiK	1114112	1062852	N/A	40117X021	1015756

Rear Wheels - w/o Hublocks, w/o Handrims (Before 9/2/11)

Wheels - Rear w/o Handrims, w/o Hublocks - Composite (COM)

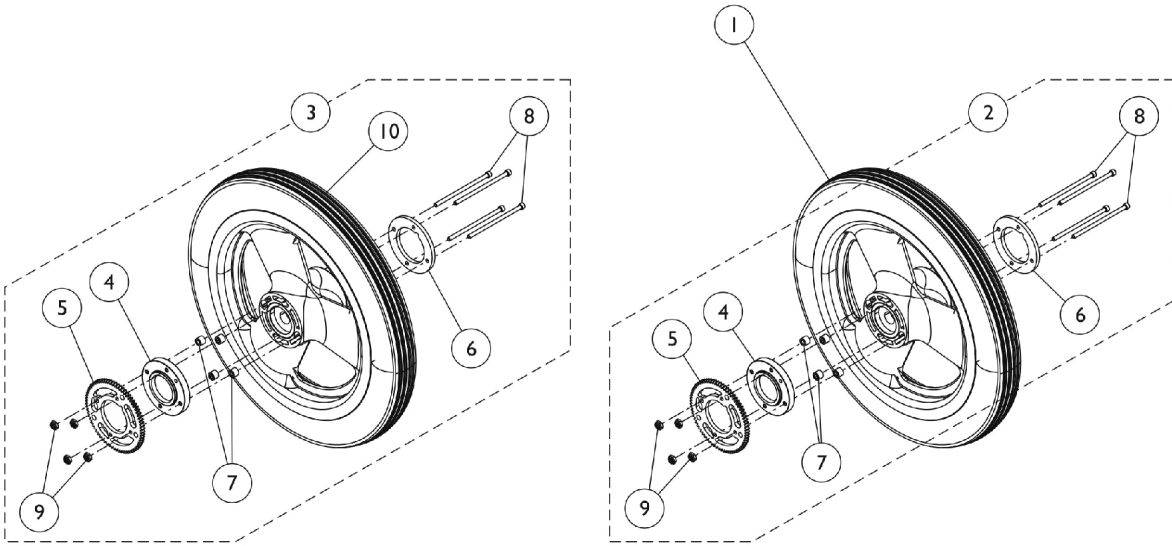
Wheel Style	Wheel Size	Tire Type	Wheel w/o Hdrm.	Tire	Tube/ Insert	Bearing	Hub Spacer
12COM	12 x 2-1/4"	Pneumatic	1129498	1011524	1011525	40117X022	N/A
12COM	12 x 2-1/4"	Pneumatic w/ Flat Free	1129499	1011524	1027176	40117X022	N/A
20COM	20 x 1-1/4"	Urethane	1038364	1037774	N/A	40117X022	1015756
20COM	20 x 1-3/8"	Pneumatic	1026422	1017519	1017520	40117X022	1015756
20COM	20 x 1-3/8"	Pneumatic w/ Flat Free	1026423	1017519	1023322	40117X022	1015756
22COM	22 x 1-1/4"	Urethane	1032116	1028250	N/A	40117X022	1015756
22COM	22 x 1-3/8"	Pneumatic	1026420	1018544	1018545	40117X022	1015756
22COM	22 x 1-3/8"	Pneumatic w/ Flat Free	1026421	1018544	1023323	40117X022	1015756
24COM	24 x 1-1/4"	Urethane	1032118	1026904	N/A	40117X022	1015756
24COM	24 x 1-3/8"	Pneumatic	1026362-NLA	40176X060	40176X061	40117X022	1015756
24COM	24 x 1-3/8"	Pneumatic w/ Flat Free	1026363	40176X060	1010906	40117X022	1015756
24COM	24 x 1"	KiK	1091330	1062852	N/A	40117X022	1015756

Rear Wheels - w/o Hublocks, w/o Handrims (Before 9/2/11)

Wheels - Rear w/o Handrims, w/o Hublocks - Standard (SP)

Wheel Style	Wheel Size	Tire Type	Wheel w/o Hdrm.	Tire	Tube/ Insert	Bearing	Hub Spacer
20SP	20 x 1-3/8"	Pneumatic	1115585-NLA	1017519	1017520	40117X021	1015756
20SP	20 x 1-3/8"	Pneumatic w/ Flat Free	1115589-NLA	1017519	1023322	40117X021	1015756
22SP	22 x 1-3/8"	Pneumatic	1115656-NLA	1018544	1018545	40117X021	1015756
22SP	22 x 1-3/8"	Pneumatic w/ Flat Free	1115658-NLA	1018544	1023323	40117X021	1015756
24SP	24 x 1-3/8"	Pneumatic	1115660	40176X060	40176X061	40117X021	1015756
24SP	24 x 1-3/8"	Pneumatic w/ Flat Free	1116707	40176X060	1010906	40117X021	1015756
24SP	24 x 1"	KiK	1114112	1062852	N/A	40117X021	1015756
24SP	24 x 1"	Primo	1115662-NLA	1026138	1032240	40117X021	1015756

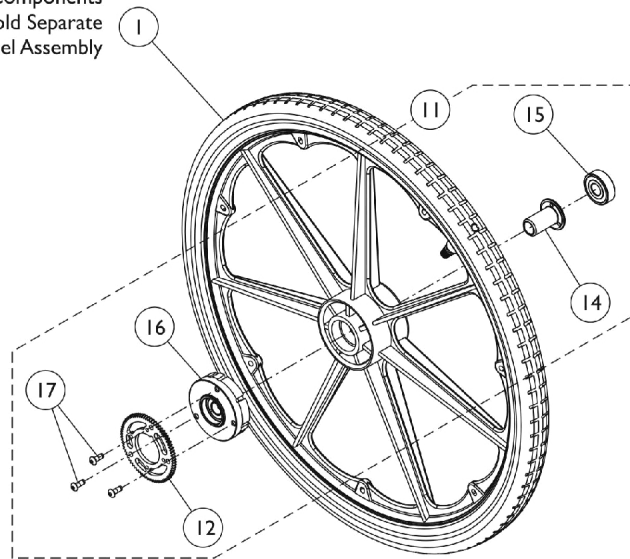
Composite Rear Wheels - w/ Hublocks, w/o Handdrims (12" and 20" Wheels)



12" Rear Wheels
(Before 6/30/10)

12" Rear Wheels
(After 6/29/10)

Hub Components
Are Not Sold Separate
From Wheel Assembly



20" Rear Wheels

Composite Rear Wheels - w/ Hublocks, w/o Handrims (12" and 20" Wheels)

Item Number	Note	Part Number	Description	Quantity Per	
				Package	Assembly
1		See Chart	#1 Rear Wheels with Hublocks	1	1
2	A	1167105	Kit, Hublock Hardware, Wheel (12")	1	1
4			Adapter, Wheel Hub	1	1
5			Ring, Gear, Hublock	1	1
6			Ring, Retaining, Wheel (12-1/2")	1	1
7			Spacer, Wheel Hub	1	4
8			Screw, Socket, Cap (#6-32 x 2-3/4")	1	4
9			NLA - Nut, Hex Lock (#6-32)	1	4
3	B	1169314	Kit, Wheel Assembly w/ Hublock Hardware, Pneumatic FF (12")	1	1
4			Adapter, Wheel Hub	1	1
5			Ring, Gear, Hublock	1	1
6			Ring, Retaining, Wheel (12-1/2")	1	1
7			Spacer, Wheel Hub	1	4
8			Screw, Socket, Cap (#6-32 x 2-3/4")	1	4
9			NLA - Nut, Hex Lock (#6-32)	1	4
10			Wheel Assembly, Composite, Pneumatic w/ Flat Free, Hublock (12" x 2-1/4")	1	1
3	B	1169315	Kit, Wheel Assembly w/ Hublock Hardware, Pneumatic (12")	1	1
4			Adapter, Wheel Hub	1	1
5			Ring, Gear, Hublock	1	1
6			Ring, Retaining, Wheel (12-1/2")	1	1
7			Spacer, Wheel Hub	1	4
8			Screw, Socket, Cap (#6-32 x 2-3/4")	1	4
9			NLA - Nut, Hex Lock (#6-32)	1	4
10			Wheel Assembly, Composite, Pneumatic, Hublock (12" x 2-1/4")	1	1
11	C	1164038-NLA	NLA - Kit, Hublock Hardware, Wheel (20", 22", 24")	1	1
12			Hub Assembly, Composite	1	1
13			Ring, Gear, Hublock	1	1
14			Screw, Button Head Cap w/ Patch (#10-24 x 1/2)	1	3
15			Bearing (1/2" I.D. x 1-3/8" O.D.)	1	1
16			Nut, Hub Retaining	1	1

NOTE: A - Includes items 4 - 9.
 B - Includes items 4 - 10. When replacing a wheel with a Hublock that originally had six screws on chairs manufactured before 6/30/10, Item #3 (1169314 or 1169315) must be ordered because the new Hublock design only uses four.
 C - Includes items 12 - 15.

Composite Rear Wheels - w/ Hublocks, w/o Handrims (12" and 20" Wheels)

#1 Rear Wheels with Hublocks

Wheel Style	Wheel Size	Tire Type	Wheel Asm. w/o Hdrm.	Tire	Tube/ Insert	Outside Bearing	Inside Bearing
12COM	12 x 2-1/4"	Pneumatic	1167104 See Note(s) B	1011524	1011525	40117X022	1104350
12COM	12 x 2-1/4"	Pneumatic w/ Flat Free	1167103 See Note(s) B	1011524	1165859	40117X022	1104350
20COM	20 x 1-3/8"	Pneumatic	1164064 See Note(s) A	1017519	1017520	40117X022	N/A
20COM	20 x 1-3/8"	Pneumatic w/ Flat Free	1164065 See Note(s) A	1017519	1023322	40117X022	N/A
20COM	20 x 1-1/4"	Urethane	1164066 See Note(s) A	1037774	N/A	40117X022	N/A

NOTE: A - Wheels come assembled with Hub Assembly, Ring Gear, Retaining Nut, Bearing and Screws.
 B - The 12" Wheel only accommodates a Hublock that uses four attaching screws. Existing 12" wheels in the field that have six attaching hole locations must be replaced with Item #3 (1169314 or 1169315).

Handrims and Handrim Hardware

Non Projection Handrims

Wheel Style	Anodized Aluminum	Black Plastic Coated
20COM	1033374	1115400
20SP	1043442-NLA	1043688
22COM	1033373	1115401
22SP	1043443	1043689-NLA
24COM7	1033372	1115397
24SP	1026136	1035612

Projection Handrims

Wheel Style	8 Vertical Projections (Black)	8 Oblique Projections (Black)	12 Vertical Projections (Black)
20COM	N/A	N/A	N/A
20SP	N/A	N/A	N/A
22COM	N/A	N/A	N/A
22SP	N/A	N/A	N/A
24COM7	1115394	1115396	1115395
24SP	1115408-NLA	1115411-NLA	N/A

Handrims and Handrim Hardware

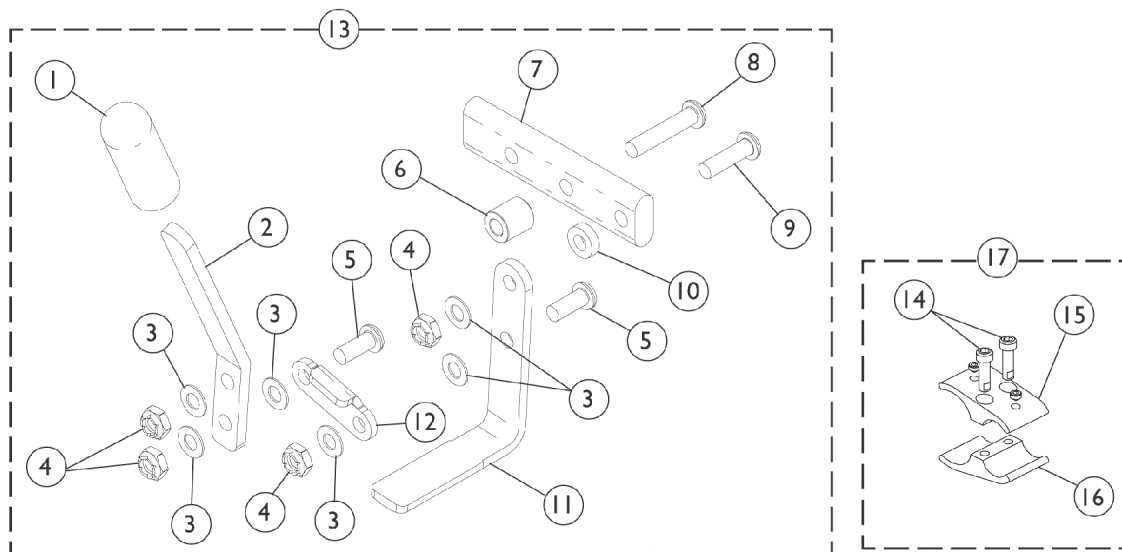
Handrim Hardware

(Hardware Kits to Attach a Single Handrim Only)

Wheel Style	Anodized Aluminum	Black Plastic Coated	8 Vertical Projections	8 Oblique Projections	12 Vertical Projections
20COM	1025153	1025158	N/A	N/A	N/A
20SP	1043708	1043708	N/A	N/A	N/A
22COM	1026384	1026383	N/A	N/A	N/A
22SP	1043708	1043708	N/A	N/A	N/A
24COM7	1026384	1026383	1026380	1026381	1026382
24SP	1026910	1026910	1026910	1026910	N/A

Wheel Lock - Push to Lock

12" and 20" Rear Wheels



Wheel Lock - Push to Lock 12" and 20" Rear Wheels

Item Number	Note	Part Number	Description	Quantity Per	
				Package	Assembly
1		47376X024	Tip, Rubber Wheel Lock Handle, Black	1	1
2		1028414	Handle, Wheel Lock, Black - Right/ Left	1	1
3		1026103	Washer, Nylon (1/4 x 1/2 x 1/32")	1	6
4		1025765	Locknut (1/4-28)	1	4
5		1055304	Screw, Socket Button Head (1/4-28 x 5/8")	1	2
6		1020363-NLA	NLA - Spacer (1/4 x 1/2 x 1/2")	1	1
7		1028399-NLA	NLA - Strap, Wheel Lock	1	1
8		1059284-NLA	NLA - Screw, Socket Button Head (1/4-28 x 1-1/4")	1	1
9		1055306-NLA	NLA - Screw, Button Head Cap (1/4-28 x 7/8")	1	1
10		1028411-NLA	NLA - Spacer (1/4 x 1/2 x 5/32")	1	1
11		1021405-NLA	NLA - Shoe, Wheel Lock	1	1
12		1018733-NLA	NLA - Link, Stop, Black	1	1
13	A	1118610	Wheel Lock, Push to Lock High Mount -Right	1	1
13	A	1118611	Wheel Lock, Push to Lock High Mount -Left	1	1
14		1027268	Screw, Allen Head (1/4-20 x 1")	1	2
15		1026097-NLA	NLA - Clamp, Wheel Lock, Non-Threaded (1")	1	1
16		1026096-NLA	NLA - Clamp, Wheel Lock, Threaded (1")	1	1
17	B	1039344	Kit, Wheel Lock Attaching Hardware (1" tubing)	1	1
14			Screw, Allen Head (1/4-20 x 1")	1	4
15			NLA - Clamp, Wheel Lock, Non-Threaded (1")	1	2
16			NLA - Clamp, Wheel Lock, Threaded (1")	1	2
NOTE: A - Includes items 1-12 B - Includes items 14-16					

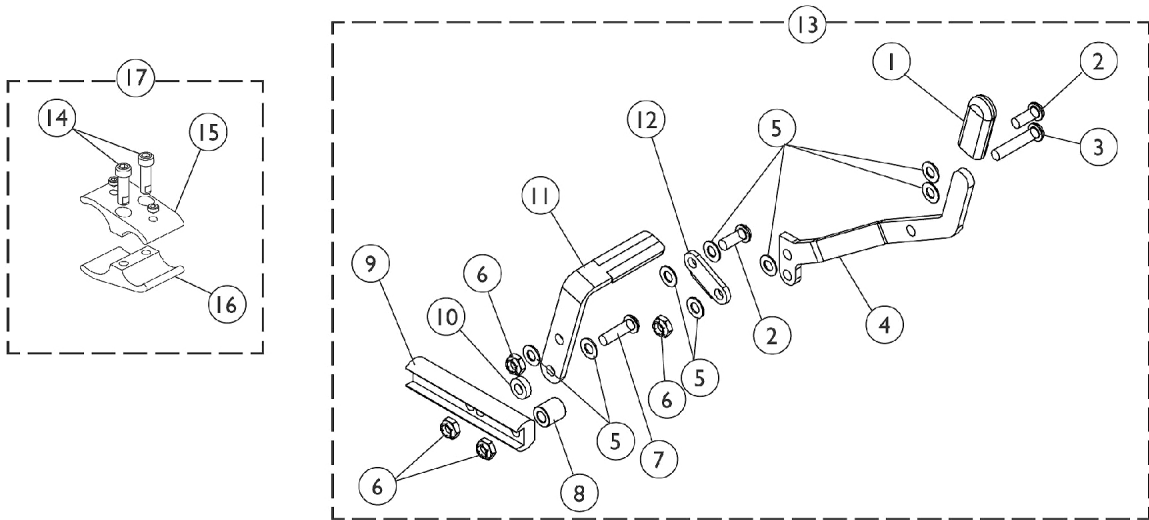
Wheel Lock - Pull to Lock 12" and 20" Rear Wheels

Item Number	Note	Part Number	Description	Quantity Per	
				Package	Assembly
1		1025765	Locknut (1/4-28)	1	4
2		1026103	Washer, Nylon (1/4 x 1/2 x 1/32")	1	5
3		1031780-NLA	NLA - Handle, Pull/ Lock, Black - Right	1	1
3		1031781-NLA	NLA - Handle, Pull/ Lock, Black - Left	1	1
4		47376X024	Tip, Rubber Wheel Lock Handle, Black	1	1
5		1018733-NLA	NLA - Link, Stop, Black	1	1
6		1026907	Washer (1/4 x 1/2 x 1/16")	1	1
7		1028399-NLA	NLA - Strap, Wheel Lock	1	1
8		1055305-NLA	NLA - Screw, Socket Button Head (1/4-28 x 3/4")	1	2
9		1059284-NLA	NLA - Screw, Socket Button Head (1/4-28 x 1-1/4")	1	1
10		1020363-NLA	NLA - Spacer (1/4 x 1/2 x 1/2")	1	1
11		1055304	Screw, Socket Button Head (1/4-28 x 5/8")	1	1
12		1021405-NLA	NLA - Shoe, Wheel Lock	1	1
13		1028411-NLA	NLA - Spacer (1/4 x 1/2 x 5/32")	1	1
14	A	1049539	Wheel Lock, Clamp On, Pull to Lock - Right	1	1
14	A	1049540	Wheel Lock, Clamp On, Pull to Lock - Left	1	1
15		1027268	Screw, Allen Head (1/4-20 x 1")	1	2
16		1026097-NLA	NLA - Clamp, Wheel Lock, Non-Threaded (1")	1	1
17		1026096-NLA	NLA - Clamp, Wheel Lock, Threaded (1")	1	1
18	B	1039344	Kit, Wheel Lock Attaching Hardware (1" tubing)	1	1
			NLA - Clamp, Wheel Lock, Threaded (1")	1	2
			NLA - Clamp, Wheel Lock, Non-Threaded (1")	1	2
			Screw, Allen Head (1/4-20 x 1")	1	4

NOTE: A - Includes items 1 - 13.
B - Includes items 15 - 17.

Wheel Lock - Pull to Lock

22" and 24" Rear Wheels



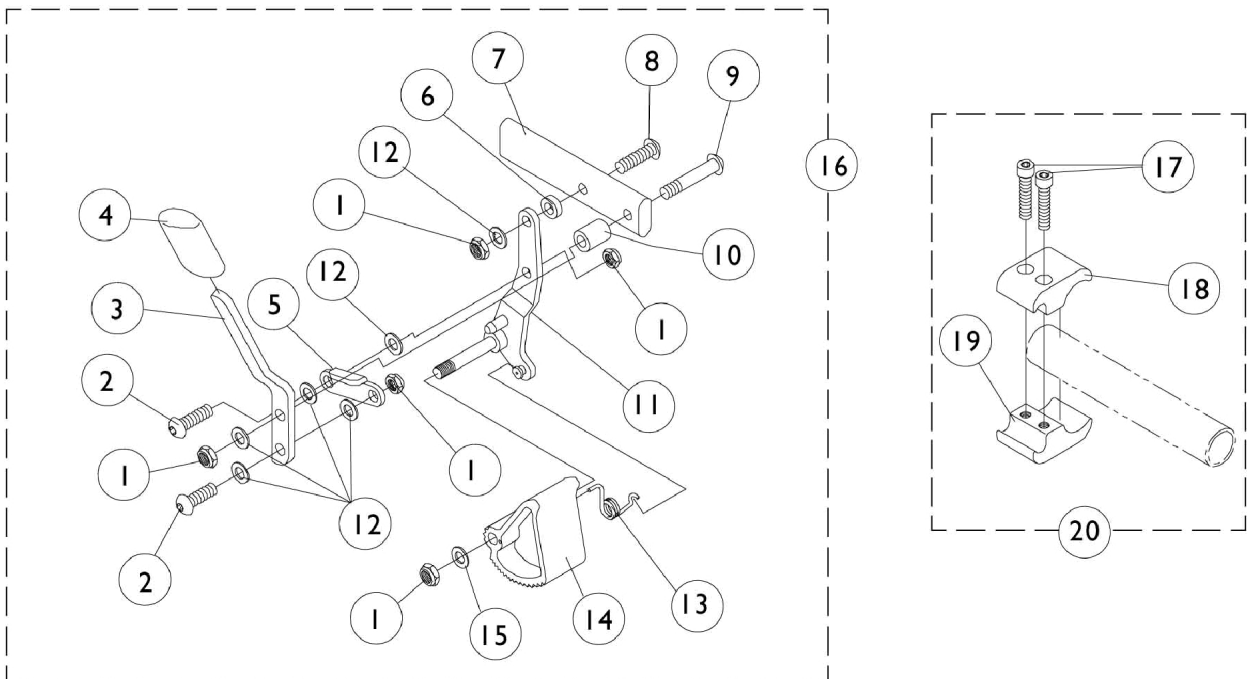
Wheel Lock - Pull to Lock 22" and 24" Rear Wheels

Item Number	Note	Part Number	Description	Quantity Per	
				Package	Assembly
1		1006490	Tip, Plastic, Black	1	1
2		1055304	Screw, Socket Button Head (1/4-28 x 5/8")	1	2
3		1083099	Screw, Socket Button Head (1/4-28 x 1-1/2")	1	1
4		1059345-NLA	NLA - Handle, Wheel Lock, Black - Right	1	1
4		1059346-NLA	NLA - Handle, Wheel Lock, Black - Left	1	1
5		1026103	Washer, Nylon (1/4 x 1/2 x 1/32")	1	8
6		1025765	Locknut (1/4-28)	1	4
7		1055306-NLA	NLA - Screw, Button Head Cap (1/4-28 x 7/8")	1	1
8		1020363-NLA	NLA - Spacer (1/4 x 1/2 x 1/2")	1	1
9		1080551-NLA	NLA - Strap, Wheel Lock	1	1
10		1028411-NLA	NLA - Spacer (1/4 x 1/2 x 5/32")	1	1
11		1021405-NLA	NLA - Shoe, Wheel Lock	1	1
12		1018733-NLA	NLA - Link, Stop, Black	1	1
13	A	1118612	Wheel Lock Assembly -Right	1	1
13	A	1118613	Wheel Lock Assembly -Left	1	1
14		1027268	Screw, Allen Head (1/4-20 x 1")	1	2
15		1043711	Clamp, Half, Non-Threaded	1	1
16		1043712	Clamp, Half, Threaded	1	1
17		1068210-NLA	Kit, Wheel Lock Attaching Hardware (1" Tubing)	1	1
			Screw, Allen Head (1/4-20 x 1")	1	2
			Clamp, Half, Non-Threaded	1	1
			Clamp, Half, Threaded	1	1

NOTE: A - Includes items 1-12

Wheel Lock - Hill Holder

12" and 20" Rear Wheels



Wheel Lock - Hill Holder 12" and 20" Rear Wheels

Item Number	Note	Part Number	Description	Quantity Per	
				Package	Assembly
1		1025765	Locknut (1/4-28)	1	5
2		1055304	Screw, Socket Button Head (1/4-28 x 5/8")	1	2
3		1038344-NLA	NLA - Handle, Wheel Lock, Black - Right	1	1
3		1038345-NLA	NLA - Handle, Wheel Lock, Black - Left	1	1
4		1006490	Tip, Plastic, Black	1	1
5		1018727-NLA	NLA - Link, Stop, Black	1	1
6		1028411-NLA	NLA - Spacer (1/4 x 1/2 x 5/32")	1	1
7		1028399-NLA	NLA - Strap, Wheel Lock	1	1
8		1055306-NLA	NLA - Screw, Button Head Cap (1/4-28 x 7/8")	1	1
9		1059284-NLA	NLA - Screw, Socket Button Head (1/4-28 x 1-1/4")	1	1
10		1020363-NLA	NLA - Spacer (1/4 x 1/2 x 1/2")	1	1
11		1026829-NLA	NLA - Bracket Assembly, Black - Right	1	1
11		1026830-NLA	NLA - Bracket Assembly, Black - Left	1	1
12		1026103	Washer, Nylon (1/4 x 1/2 x 1/32")	1	6
13		1016650-NLA	NLA - Spring, Torsion - Right	1	1
13		1016651-NLA	NLA - Spring, Torsion - Left	1	1
14		1015857	Shoe, Wheel Lock	1	1
15		1013971	Washer, Nylon (1/4 x 7/16 x 5/64")	1	1
16	A	1039323	NLA - Hill Holder Assembly w/ Hardware - Right	1	1
1			Locknut (1/4-28)	1	5
2			Screw, Socket Button Head (1/4-28 x 5/8")	1	2
3			NLA - Handle, Wheel Lock, Black - Right	1	1
4			Tip, Plastic, Black	1	1
5			NLA - Link, Stop, Black	1	1
6			NLA - Spacer (1/4 x 1/2 x 5/32")	1	1
7			NLA - Strap, Wheel Lock	1	1
8			NLA - Screw, Button Head Cap (1/4-28 x 7/8")	1	1
9			NLA - Screw, Socket Button Head (1/4-28 x 1-1/4")	1	1
10			NLA - Spacer (1/4 x 1/2 x 1/2")	1	1
11			NLA - Bracket Assembly, Black - Right	1	1
12			Washer, Nylon (1/4 x 1/2 x 1/32")	1	7
13			NLA - Spring, Torsion - Right	1	1
14			Shoe, Wheel Lock	1	1
15			Washer, Nylon (1/4 x 7/16 x 5/64")	1	1
16	A	1039324	NLA - Hill Holder Assembly w/ Hardware - Left	1	1
1			Locknut (1/4-28)	1	5
2			Screw, Socket Button Head (1/4-28 x 5/8")	1	2
3			NLA - Handle, Wheel Lock, Black - Left	1	1
4			Tip, Plastic, Black	1	1
5			NLA - Link, Stop, Black	1	1
6			NLA - Spacer (1/4 x 1/2 x 5/32")	1	1
7			NLA - Strap, Wheel Lock	1	1
8			NLA - Screw, Button Head Cap (1/4-28 x 7/8")	1	1

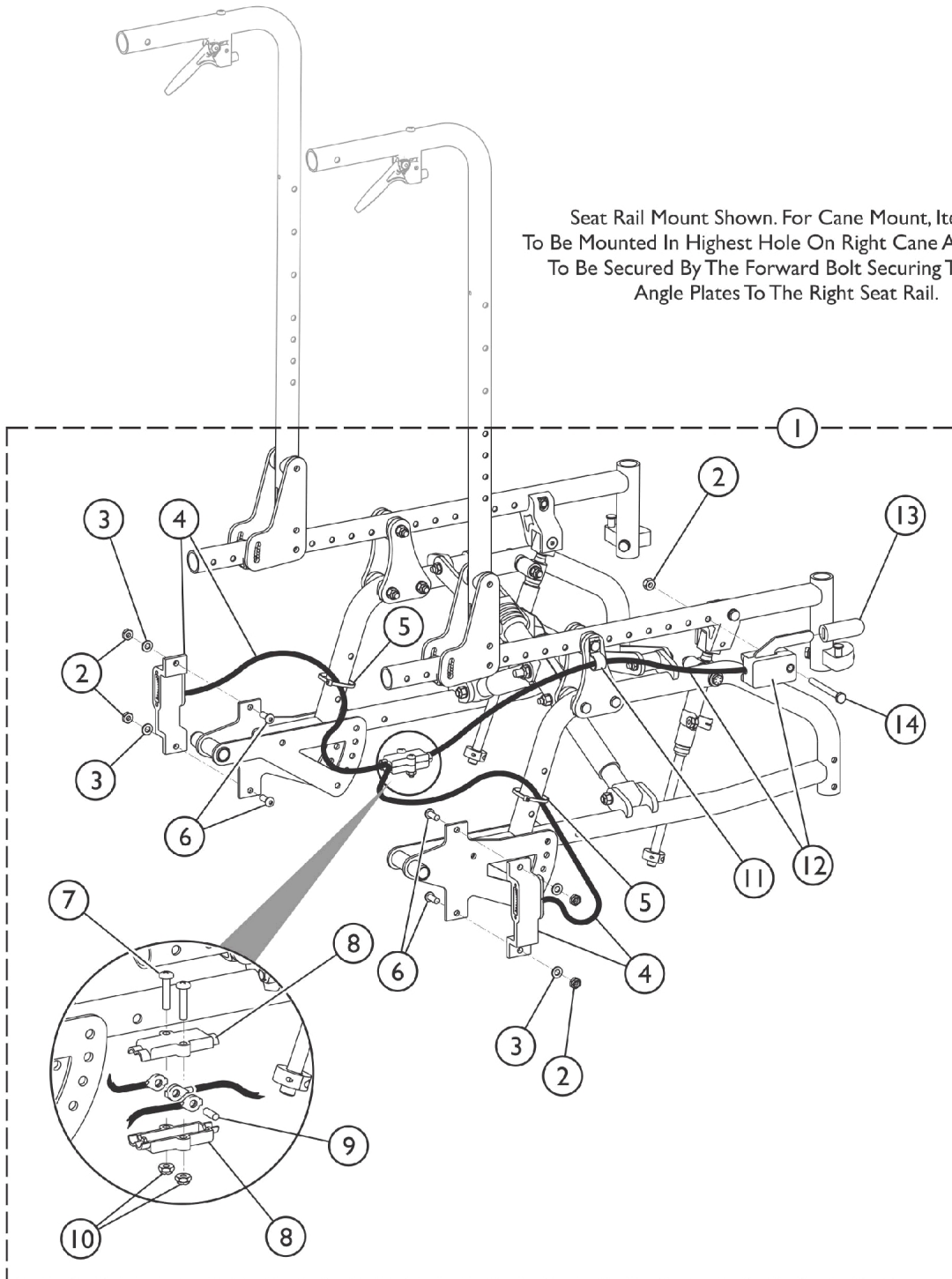
Wheel Lock - Hill Holder

12" and 20" Rear Wheels

Item Number	Note	Part Number	Description	Quantity Per	
				Package	Assembly
9			NLA - Screw, Socket Button Head (1/4-28 x 1-1/4")	1	1
10			NLA - Spacer (1/4 x 1/2 x 1/2")	1	1
11			NLA - Bracket Assembly, Black - Left	1	1
12			Washer, Nylon (1/4 x 1/2 x 1/32")	1	7
13			NLA - Spring, Torsion - Left	1	1
14			Shoe, Wheel Lock	1	1
15			Washer, Nylon (1/4 x 7/16 x 5/64")	1	1
17		1027268	Screw, Allen Head (1/4-20 x 1")	1	2
18		1026097-NLA	NLA - Clamp, Wheel Lock, Non-Threaded (1")	1	1
19		1026096-NLA	NLA - Clamp, Wheel Lock, Threaded (1")	1	1
20	B	1039344	Kit, Wheel Lock Attaching Hardware (1" tubing)	1	1
17			Screw, Allen Head (1/4-20 x 1")	1	4
18			NLA - Clamp, Wheel Lock, Non-Threaded (1")	1	2
19			NLA - Clamp, Wheel Lock, Threaded (1")	1	2
NOTE: A - Includes items 1 - 15. B - Includes items 17 - 19.					

Wheel Lock - Hublock Replacement Kits (After 10/31/07)

Seat Rail Mount Shown. For Cane Mount, Item 12
To Be Mounted In Highest Hole On Right Cane And Item 11
To Be Secured By The Forward Bolt Securing The Back
Angle Plates To The Right Seat Rail.



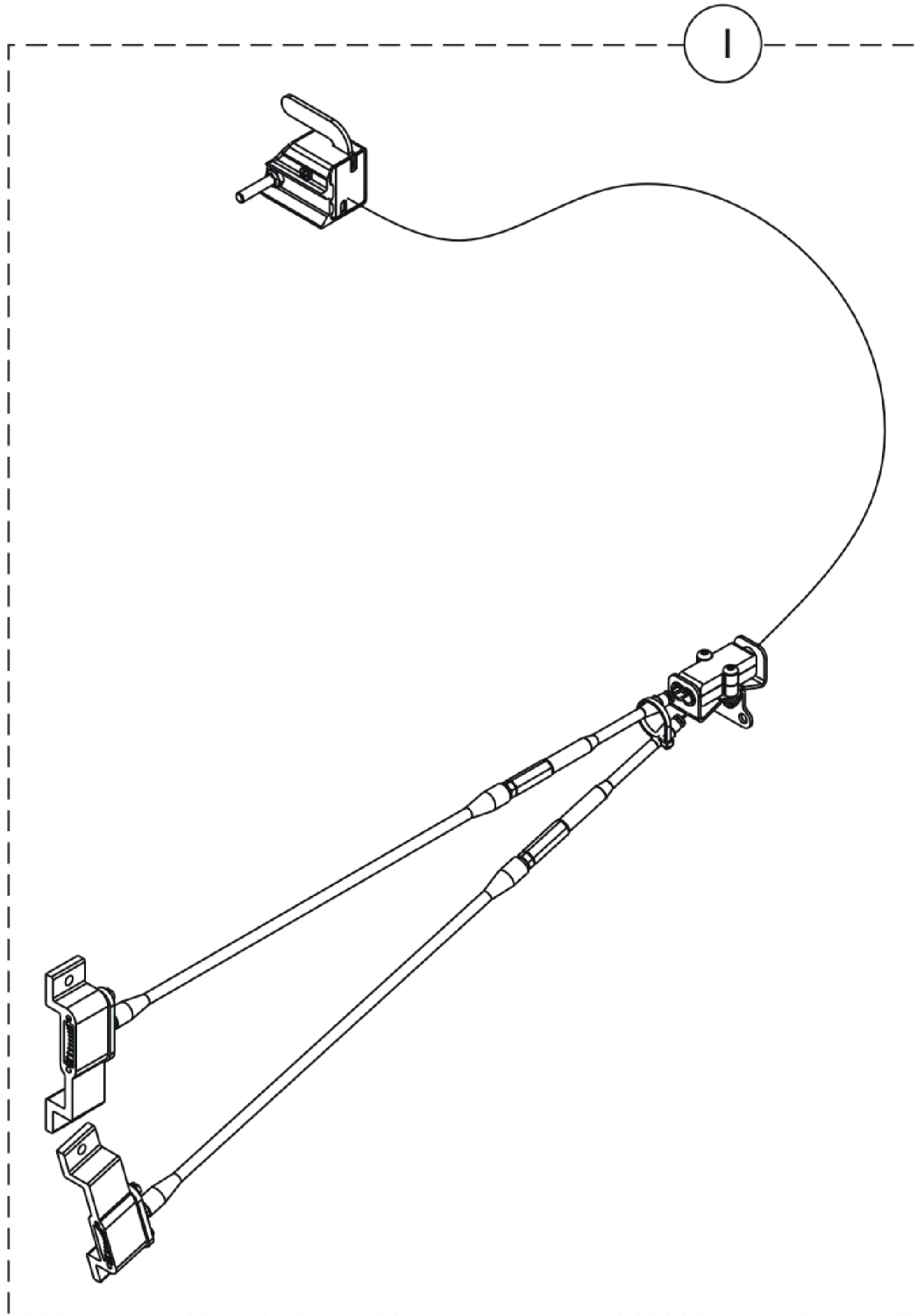
Wheel Lock - Hublock Replacement Kits (After 10/31/07)

Item Number	Note	Part Number	Description	Quantity Per					
				Package	Assembly				
1	A,B	1132606	Kit, Hublock Cables and Hardware	1	1				
2			Locknut (1/4-28)	1	5				
3			Washer (1/4 x 1/2 x 1/16")	1	4				
4			Latch with Cable Assembly, Hublock - Right	1	1				
4			Latch with Cable Assembly, Hublock - Left	1	1				
5			Tie Wrap (5-5/8" L)	1	2				
6			NLA - Screw, Socket Button Head (1/4-28 x 3/4")	1	4				
7			Screw, Socket Button Head (#10-32 x 1")	1	2				
8			Box, Junction Cable	1	2				
9			Pin, Dowel (3/16 x 1/2")	1	1				
10			Locknut (#10-32)	1	2				
11			NLA - Bracket, Cable/Wire Mounting, Black	1	1				
12			Actuator w/ Cable Assembly, Hand Operated	1	1				
13	Tip, Plastic, Black	1	1						
14	Screw, Socket Head (1/4-20 x 2-1/4")	1	1						
4	C,D	1132357	Latch with Cable Assembly, Hublock - Right	1	1				
4			1132358	Latch with Cable Assembly, Hublock - Left	1	1			
8				1132375	Box, Junction Cable	1	1		
12					1132359	Actuator w/ Cable Assembly, Hand Operated	1	1	
13						1127688	Package, Plastic Tip, Black	10	1

NOTE: A - Includes items 2-14
 B - Item 4 (Cable Assembly), item 8 (Junction Box), and item 14 (Plastic Tip) are sold separately as service parts.
 C - For chairs manufactured before 2/2/09, it is recommended to order the Hublock Latch with Cable Assembly part numbers 1132357 and 1132358 together.
 D - For chairs manufactured after 2/1/09, it is also recommended to order both Hublock Latch with Cable Assembly part numbers 1132357 and 1132358 together to allow even wear on the components.

Wheel Lock - Hublock Replacement Kits (Before 11/01/07 - Currently Out of Stock)

Invacare does not recommend the use of service part number 1132357 and/or 1132358 for replacement hublock cables for wheel chairs manufactured before November 1, 2007.



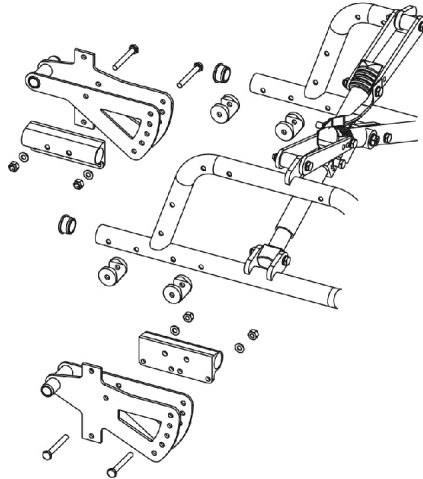
Wheel Lock - Hublock Replacement Kits (Before 11/01/07 - Currently Out of Stock)

Invacare does not recommend the use of service part number 1132357 and/or 1132358 for replacement hublock cables for wheel chairs manufactured before November 1, 2007.

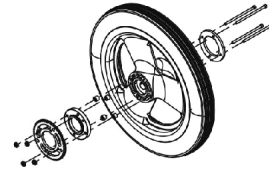
Item Number	Note	Part Number	Description	Quantity Per	
				Package	Assembly
1		1153654	Kit, Hublock Replacement, Hand Operated	1	1
			Actuator w/ Cable Assembly, Hand Operated	1	1
			Hublock Hand Operated Latch Assembly	1	1
			Hublock Hand Operated Latch Assembly	1	1
			Screw, Socket Button Head (#10-32 x 1")	1	2
			Box, Junction Cable	1	2
			Pin, Dowel (3/16 x 1/2")	1	1
			Locknut (#10-32)	1	2
			Bracket, Junction Cable, Black	1	1
			Tie Wrap (5-5/8" L)	1	1
			Locknut (1/4-28)	1	4
			NLA - Service Manual, Hublock	1	1

Wheel Locks - Hublock Retro-Fit Kits

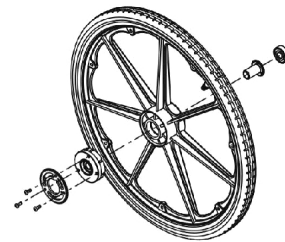
Retro-Fit Kits include Hublock Cables w/ Hardware, Axle Plates w/ Hardware, 12" or 20" Wheels, Wheel Hubs, Gear Hardware, Back Cane, and Instruction Manual. For a detailed breakdown of parts please refer to the appropriate category in this catalog. When adding Hublocks to an existing chair always use wheels provided with kit.



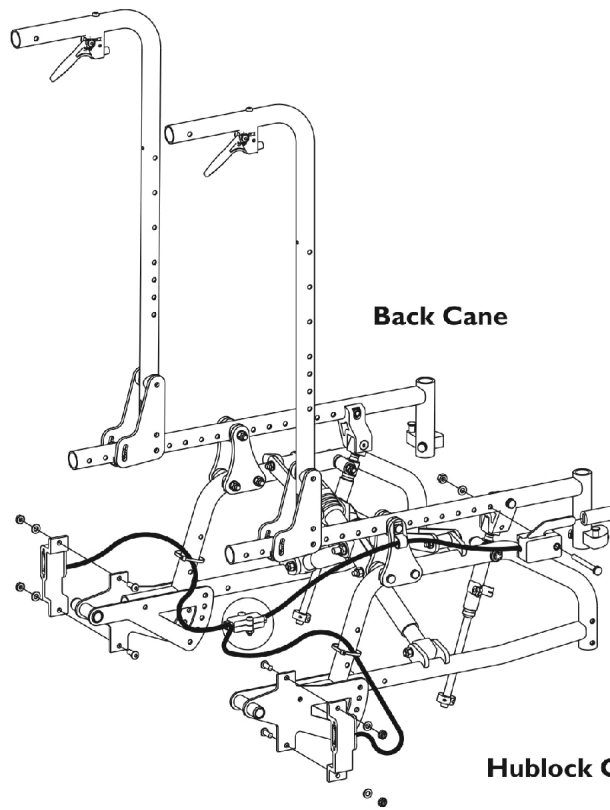
Axle Plates and Hardware



12" Rear Wheels



20" Rear Wheels



Back Cane

Hublock Cables and Hardware

Wheel Locks - Hublock Retro-Fit Kits

Retro-Fit Kits include Hublock Cables w/ Hardware, Axle Plates w/ Hardware, 12" or 20" Wheels, Wheel Hubs, Gear Hardware, Back Cane, and Instruction Manual. For a detailed breakdown of parts please refer to the appropriate category in this catalog. When adding Hublocks to an existing chair always use wheels provided with kit.

Wheel Locks - Hublock Retro-Fit Kits (After 7/7/11)

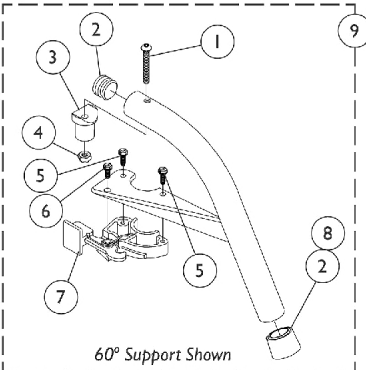
Wheel Style	20" Back Height	24" Back Height
12" Composite w/ Pneumatic Tire	1169311-NLA	1169309-NLA
12" Composite Pneumatic w/ Flat Free Insert	1169312-NLA	1169310-NLA
20" Composite w/ Pneumatic Tire	1170381-NLA	1170380-NLA
20" Composite Pneumatic w/ Flat Free Insert	1170382-NLA	1170394-NLA
20" Composite w/ Urethane Tire	1170383-NLA	1170395-NLA

Wheel Locks - Hublock Retro-Fit Kits (Before 7/8/11)

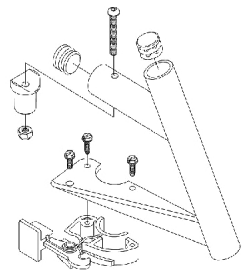
Wheel Style	20" Back Height	24" Back Height
12" Composite w/ Pneumatic Tire	1169311	1169309
12" Composite Pneumatic w/ Flat Free Insert	1169312	1169310
20" Composite w/ Pneumatic Tire	1140374-NLA	1140233-NLA
20" Composite Pneumatic w/ Flat Free Insert	1140375-NLA	1140234-NLA
20" Composite w/ Urethane Tire	1140376-NLA	1140235-NLA

Footrest Support Assemblies

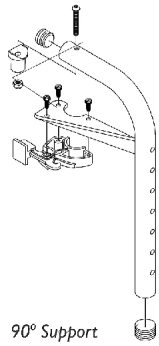
Swingaway 60 Degree, 70 Degree, and 90 Degree



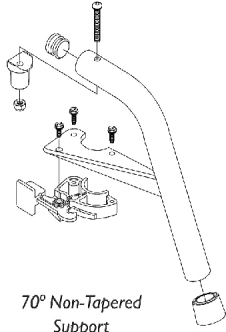
60° Support Shown



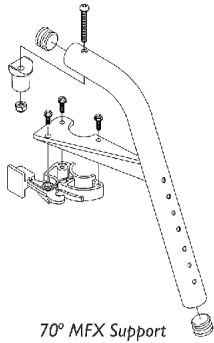
60° MFX Support



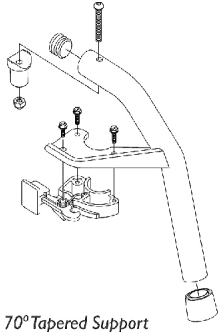
90° Support



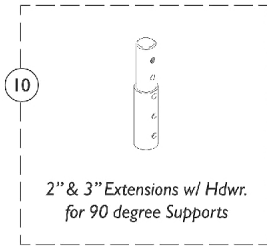
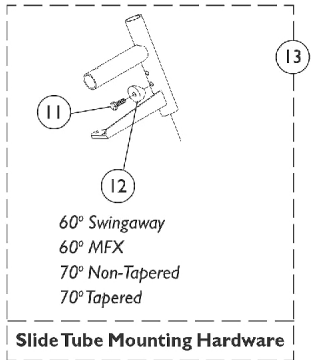
70° Non-Tapered Support



70° MFX Support



70° Tapered Support



Footrest Support Assemblies

Swingaway 60 Degree, 70 Degree, and 90 Degree

Item Number	Note	Part Number	Description	Quantity Per	
				Package	Assembly
1		1022831	Screw, Socket Button Head (1/4-20 x 1-7/8")	1	1
2		1029501	Plug Button, Black (1")	1	1
3		1017148	Pivot, Footrest	1	1
4		1025736	Locknut (1/4-20)	1	1
5		1025451	Screw, Slotted Hex Washer Head (#10-32 x 5/8")	1	2
6		1017423	Screw, Slotted Hex Washer Head w/ Patch (#10-32 x 1/2")	1	1
7		1025454	Housing, Latch - Right	1	1
7		1025455	Housing, Latch - Left	1	1
8		1026124	Collar, Anti-Rattle	1	1
9	A	See Chart	#9 Footrest Support Assemblies	1	1
10		1118544	Kit, Extension w/ Hardware (2")	1	1
10		8881038231	Kit, 3" Extension w/ Hardware (Pair)	2	1
11		1045267	Screw, Hex Head w/ Patch (1/4-20 x 3/4")	1	1
12		1026099	Spacer, Coved (1/4 x 11/16 x 1/2")	1	2
13		1028004	Kit, Pivot Slide Tube Mounting Hardware (Pair)	2	1
	B	1026987	Guard, Impact (8" L)	1	1

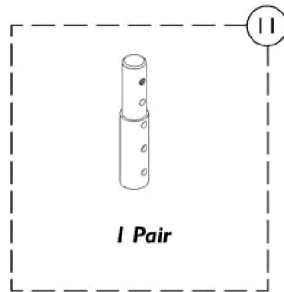
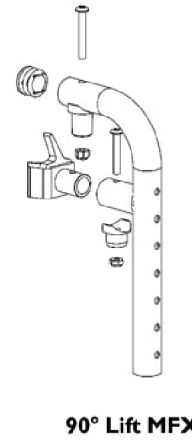
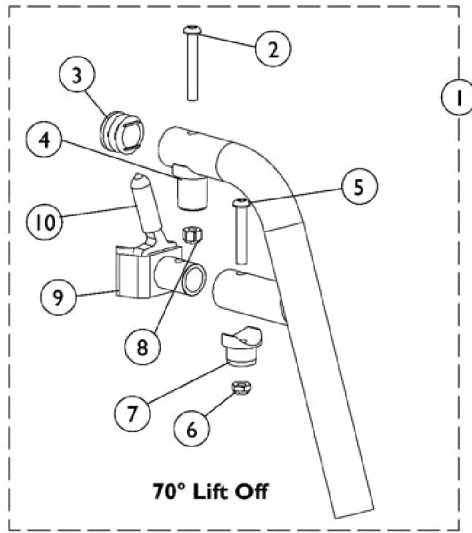
NOTE: A - Specify frame finish when ordering.
B - Not Shown. For 70 deg. Tapered Footrest.

#9 Footrest Support Assemblies

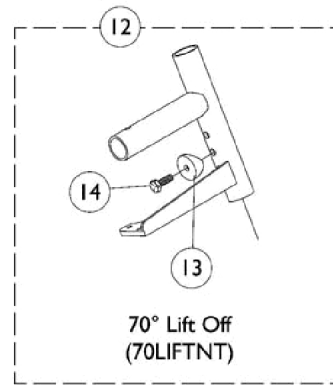
Footrest Support Style	60° Swingaway	60° MFX	70° Non Tapered	70° MFX	70° Tapered	90° Swingaway
Right	8881026992	8881026998	8881026994	8881047481	8881026996	8881062596
Left	8881026993	8881026999	8881026995	8881047480	8881026997	8881062597

Lift Off Footrest Support Assemblies

70° and 90°



**3" Extension w/ Hdwr.
for 90 degree Supports**



Slide Tube Mounting Hardware

Lift Off Footrest Support Assemblies 70° and 90°

Item Number	Note	Part Number	Description	Quantity Per	
				Package	Assembly
1	A,B	See Chart	#1 Lift Off Footrest Support Assemblies (70° and 90°)	1	1
2		1001762	Screw, Socket Button Head (1/4-20 x 1-3/4")	1	1
3		1029501	Plug Button, Black (1")	1	1
4		1017148	Pivot, Footrest	1	1
5		1083099	Screw, Socket Button Head (1/4-28 x 1-1/2")	1	1
6		1025765	Locknut (1/4-28)	1	1
7		1128273	Pivot	1	1
8		1025736	Locknut (1/4-20)	1	1
9	C	1128283	Latch Assembly, Black - Right	1	1
9	C	1128284	Latch Assembly, Black - Left	1	1
10		1129492	Package, Tip, Plastic, Black	10	1
11	A	8881038231	Kit, 3" Extension w/ Hardware (Pair)	2	1
12	D	1028004	Kit, Pivot Slide Tube Mounting Hardware (Pair)	2	1
13		1026099	Spacer, Coved (1/4 x 11/16 x 1/2")	1	2
14		1045267	Screw, Hex Head w/ Patch (1/4-20 x 3/4")	1	1

NOTE: A - Specify frame finish when ordering.
 B - Includes Footrest Support and items 2-10
 C - Includes item 10, Protective Tip
 D - Includes items 13-14

#1 Lift Off Footrest Support Assemblies (70° and 90°)

Includes Footrest Support and items 2-9

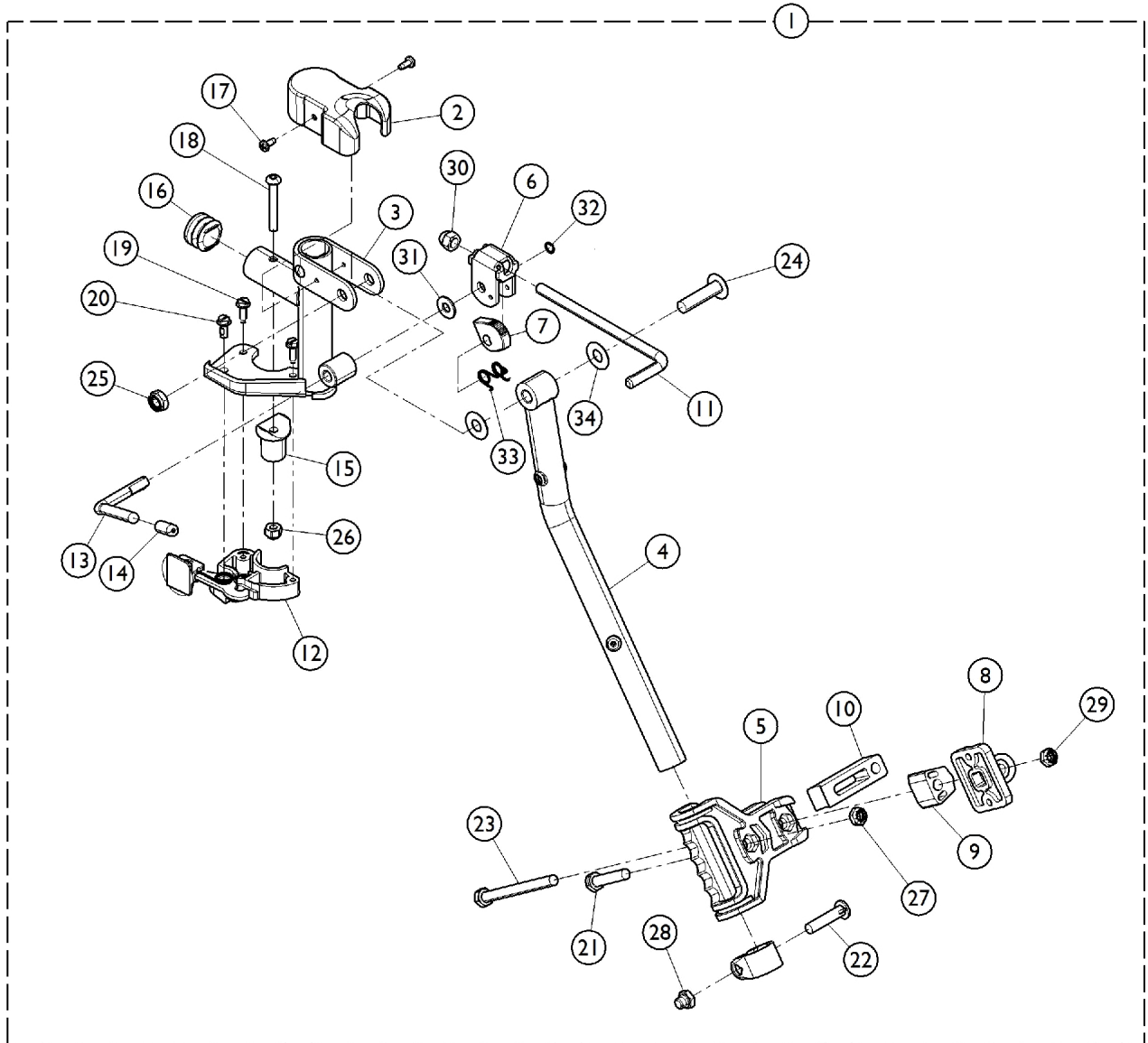
Footrest Support	70°	90° MFX
Right	8881128286	8881128829
Left	8881128287	8881128830

Specify frame finish when ordering

Legrest Support Assembly - AT5044

Ratchet Style (Before 9/21/05)

Specify frame finish when ordering. Legrest Support does not include Legrest Pad



Legrest Support Assembly - AT5044

Ratchet Style (Before 9/21/05)

Specify frame finish when ordering. Legrest Support does not include Legrest Pad

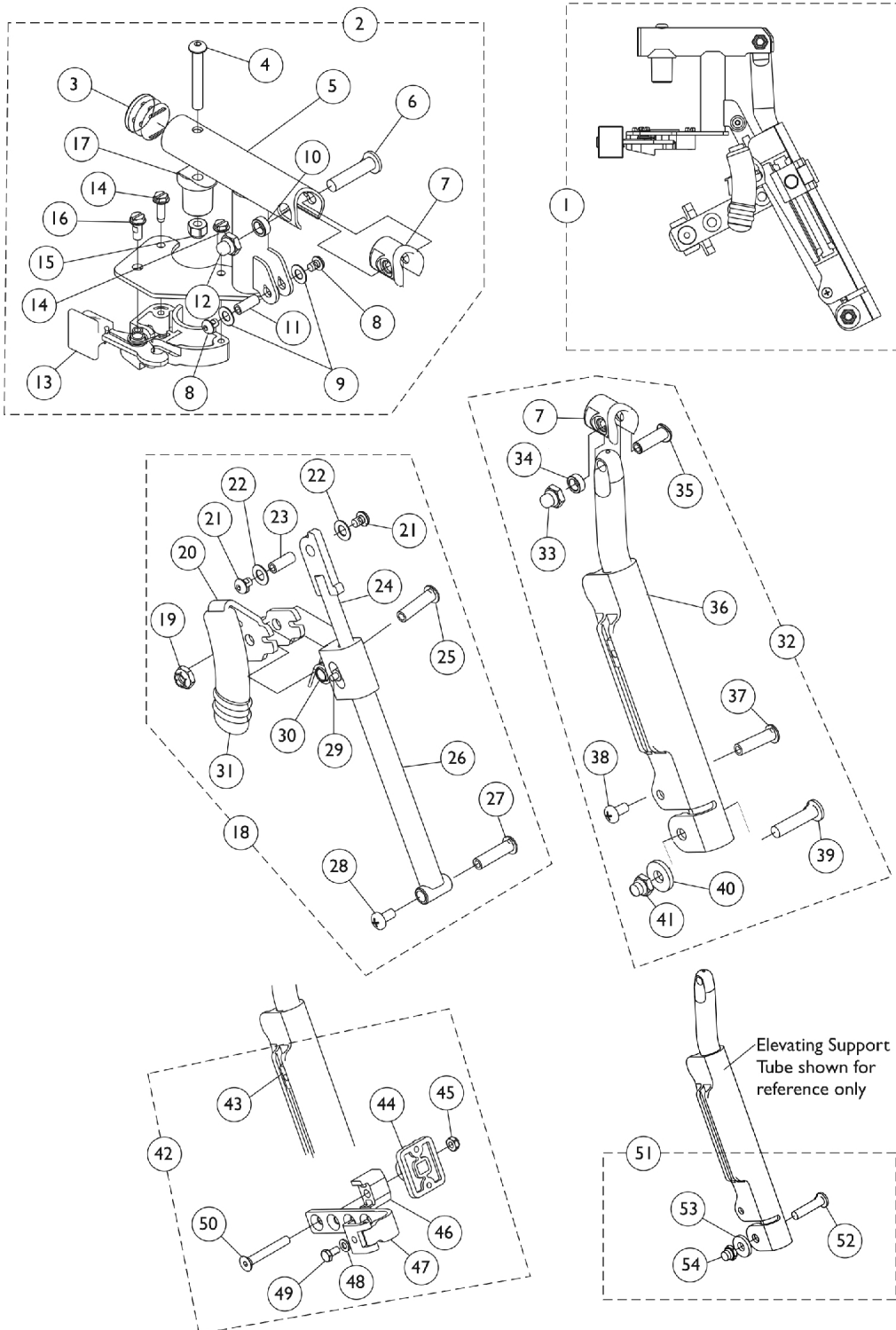
Item Number	Note	Part Number	Description	Quantity Per	
				Package	Assembly
1	A	8881045291	Legrest Support Assembly, Sector, Color - Right	1	1
1	A	8881045292	Legrest Support Assembly, Sector, Color - Left	1	1
2		1017187	Cover, Top	1	1
3		8881045289	Bracket, Legrest Support, Color - Right	1	1
3		8881045290	Bracket, Legrest Support, Color - Left	1	1
4		8881048851	Tube, Elevating Adjustable Support, Color - Right	1	1
4		8881048852	Tube, Elevating Adjustable Support, Color - Left	1	1
5		1032266	Bracket, Legrest Pad Mounting, Black	1	1
6		04528X002	Bracket, Release, Black	1	1
7		1037125	Cam, Legrest	1	1
8		04526X019	Plate, Legrest Pad	1	1
9		1025133	Spacer, Legrest Pad, Black	1	1
10		1032267	Spacer, Legrest Pad Mounting, Black	1	1
11		42326X001	Bar, Ratchet	1	1
12		1025454	Housing, Latch - Right	1	1
12		1025455	Housing, Latch - Left	1	1
13		1037126	Handle, Release	1	1
14		1040060	Tip, Plastic, Black	1	1
15		1017148	Pivot, Footrest	1	1
16		1029501	Plug Button, Black (1")	1	1
17		1025729	Screw, Phillips Pan Head Tap (#8-32 x 3/8")	1	2
18		1001762	Screw, Socket Button Head (1/4-20 x 1-3/4")	1	1
19		1025451	Screw, Slotted Hex Washer Head (#10-32 x 5/8")	1	2
20		1017423	Screw, Slotted Hex Washer Head w/ Patch (#10-32 x 1/2")	1	1
21		1028514	Screw, Hex Head (5/16-24 x 1-1/2")	1	1
22		1026030	Bolt, Lug (5/16-24 x 1-3/8")	1	1
23		1037110	Screw, Hex Head (5/16-24 x 3-1/2")	1	1
24		11919X000-NLA	NLA - Screw, Slotted Truss Head (3/8-16 x 1-1/2")	1	1
25		40363X000	Hex Nut (3/8"-16)	1	1
26		1025736	Locknut (1/4-20)	1	1
27		1025730	Locknut (5/16-24)	1	1
28		1107321	Nut, Low Cap (5/16"-24)	1	1
29		1025730	Locknut (5/16-24)	1	1
30		10261X000	Nut, Acorn (5/16-24)	1	1
31		1013519	Washer, Nylon (5/16 x 11/16 x 1/16")	1	1
32		1040831	Ring, Snap	1	1
33		1037485	Spring, Release	1	1
34		1058636-NLA	NLA - Washer, Nylon (25/64 x 7/8 x 1/32")	1	2

NOTE: A - Includes Items 2 - 34.

Legrest Support Assembly - AT5044

Wedge Style ("D" shaped tubing) Introduced 9/21/05

Specify frame finish when ordering. Legrest Support does not include Legrest Pad.



Legrest Support Assembly - AT5044

Wedge Style ("D" shaped tubing) Introduced 9/21/05

Specify frame finish when ordering. Legrest Support does not include Legrest Pad.

Item Number	Note	Part Number	Description	Quantity Per	
				Package	Assembly
1	A,G	8881128698	Legrest Support Assembly, Sector, Color - Right	1	1
1	A,G	8881128699	Legrest Support Assembly, Sector, Color - Left	1	1
2	B,G	8881130747	Legrest Support Tube Assembly, Sector, Color - Right	1	1
3			Plug Button, Black (1")	1	1
4			Screw, Socket Button Head (1/4-20 x 1-3/4")	1	1
5			Tube, Legrest Support, Sector, Color - Right	1	1
6			Bolt, Lug (5/16-24 x 1-3/8")	1	1
7			Plug, Insert (7/8")	1	1
8			Screw, Socket Button Head w/ Patch (#10-32 x 1/4")	1	2
9			Washer (1/4 x 1/2 x 1/32")	1	2
10			Spacer (5/16 x 1/2 x 3/16")	1	1
11			Spacer, Threaded (10-32 x 1/4 x 5/8")	1	1
12			Nut, Low Cap (5/16"-24)	1	1
13			Housing, Latch - Right	1	1
14			Screw, Slotted Hex Washer Head (#10-32 x 5/8")	1	2
15			Locknut (1/4-20)	1	1
16			Screw, Slotted Hex Washer Head w/ Patch (#10-32 x 1/2")	1	1
17			Pivot, Footrest	1	1
3		1140823	Package, Plug Button, Black (1")	10	1
2	B,G	8881130748	Legrest Support Tube Assembly, Sector, Color - Left	1	1
3			Plug Button, Black (1")	1	1
4			Screw, Socket Button Head (1/4-20 x 1-3/4")	1	1
5			Tube, Legrest Support, Sector, Color - Left	1	1
6			Bolt, Lug (5/16-24 x 1-3/8")	1	1
7			Plug, Insert (7/8")	1	1
8			Screw, Socket Button Head w/ Patch (#10-32 x 1/4")	1	2
9			Washer (1/4 x 1/2 x 1/32")	1	2
10			Spacer (5/16 x 1/2 x 3/16")	1	1
11			Spacer, Threaded (10-32 x 1/4 x 5/8")	1	1
12			Nut, Low Cap (5/16"-24)	1	1
13			Housing, Latch - Left	1	1
14			Screw, Slotted Hex Washer Head (#10-32 x 5/8")	1	2
15			Locknut (1/4-20)	1	1
16			Screw, Slotted Hex Washer Head w/ Patch (#10-32 x 1/2")	1	1
17			Pivot, Footrest	1	1
3		1140823	Package, Plug Button, Black (1")	10	1
18	C	1130749	Kit, Pivot Rod Assembly - Right	1	1

Legrest Support Assembly - AT5044

Wedge Style ("D" shaped tubing) Introduced 9/21/05

Specify frame finish when ordering. Legrest Support does not include Legrest Pad.

Item Number	Note	Part Number	Description	Quantity Per	
				Package	Assembly
19			Locknut (1/4-20)	1	1
20			Lever, Release - Right	1	1
21			Screw, Socket Button Head w/ Patch (#10-32 x 1/4")	1	2
22			Washer (1/4 x 1/2 x 1/32")	1	2
23			Spacer, Threaded (10-32 x 1/4 x 5/8")	1	1
24			Rod, Pivot	1	1
25			NLA - Screw, Socket Button Head (1/4-20 x 1-1/4")	1	1
26			Guide, Pivot Rod	1	1
27			Rivnut (10-32 x 1")	1	1
28			NLA - Screw, Phillips Pan Head w/Patch (#10-24 x 3/8")	1	1
29			Pin, Roller	1	1
30			Spring, Torsion	1	1
31			Cap, Brake Lever End, Black	1	1
31		1130584	Package, Cap, Brake Lever End, Black	10	1
18	C	1130750	Kit, Pivot Rod Assembly - Left	1	1
19			Locknut (1/4-20)	1	1
20			Lever, Release - Left	1	1
21			Screw, Socket Button Head w/ Patch (#10-32 x 1/4")	1	2
22			Washer (1/4 x 1/2 x 1/32")	1	2
23			Spacer, Threaded (10-32 x 1/4 x 5/8")	1	1
24			Rod, Pivot	1	1
25			NLA - Screw, Socket Button Head (1/4-20 x 1-1/4")	1	1
26			Guide, Pivot Rod	1	1
27			Rivnut (10-32 x 1")	1	1
28			NLA - Screw, Phillips Pan Head w/Patch (#10-24 x 3/8")	1	1
29			Pin, Roller	1	1
30			Spring, Torsion	1	1
31			Cap, Brake Lever End, Black	1	1
31		1130584	Package, Cap, Brake Lever End, Black	10	1
32	D,G	8881164115-NL A	NLA - Kit, Elevating Support Tube, Color - Right	1	1
7			Plug, Insert (7/8")	1	1
33			Locknut, Nylon Cap (5/16-24)	1	1
34			Spacer (5/16 x 1/2 x 3/16")	1	1
35			Screw, Lug (5/16-24 x 1-3/8")	1	1
36			Tube, Elevating Support, Color - Right	1	1
37			Rivnut, Phillips Pan Head (10-24 x 1")	1	1
38			Screw, Phillips Pan Head w/ Patch (10-24 x 3/8")	1	1
39			Screw, Lug (5/16-24 x 1-3/8")	1	1

Legrest Support Assembly - AT5044

Wedge Style ("D" shaped tubing) Introduced 9/21/05

Specify frame finish when ordering. Legrest Support does not include Legrest Pad.

Item Number	Note	Part Number	Description	Quantity Per	
				Package	Assembly
40			Washer (11/32 x 53/64 x 1/8")	1	1
41			Locknut, Nylon Cap (5/16-24)	1	1
32	D,G	8881164116-NL A	NLA - Kit, Elevating Support Tube, Color - Left	1	1
7			Plug, Insert (7/8")	1	1
33			Locknut, Nylon Cap (5/16-24)	1	1
34			Spacer (5/16 x 1/2 x 3/16")	1	1
35			Screw, Lug (5/16-24 x 1-3/8")	1	1
36			Tube, Elevating Support, Color - Left	1	1
37			Rivnut, Phillips Pan Head (10-24 x 1")	1	1
38			Screw, Phillips Pan Head w/ Patch (10-24 x 3/8")	1	1
39			Screw, Lug (5/16-24 x 1-3/8")	1	1
40			Washer (11/32 x 53/64 x 1/8")	1	1
41			Locknut, Nylon Cap (5/16-24)	1	1
42	F	1130754	Kit, Legrest Pad Hardware	1	1
43			T-Nut (1/4-20)	1	1
44			Plate, Legrest Pad	1	1
45			Locknut (5/16-18)	1	1
46			Spacer, Legrest Pad, Black	1	1
47			Bracket Assembly, Adjustable Legrest Pad, Color	1	1
48			NLA - Washer, Steel (1/4 x 1/2 x 3/64")	1	1
49			Screw, Hex Head w/ Patch (1/4-20 x 1/2")	1	1
50			Screw, Socket Flat Head (5/16-18 x 2-1/4")	1	1
51	E	1130753	Kit, Pivot Slide Tube Attaching Hardware	1	1
52			Screw, Lug (5/16-24 x 1-3/8")	1	1
53			Washer (11/32 x 53/64 x 1/8")	1	1
54			Locknut, Nylon Cap (5/16-24)	1	1
	H	1151367	Kit, Housing Latch Handle w/Hardware - Right	1	1
13			Housing, Latch - Right	1	1
14			Screw, Slotted Hex Washer Head (#10-32 x 5/8")	1	2
16			Screw, Slotted Hex Washer Head w/ Patch (#10-32 x 1/2")	1	1
	H	1151368	Kit, Housing Latch Handle w/Hardware - Left	1	1
13			Housing, Latch - Left	1	1
14			Screw, Slotted Hex Washer Head (#10-32 x 5/8")	1	2
16			Screw, Slotted Hex Washer Head w/ Patch (#10-32 x 1/2")	1	1

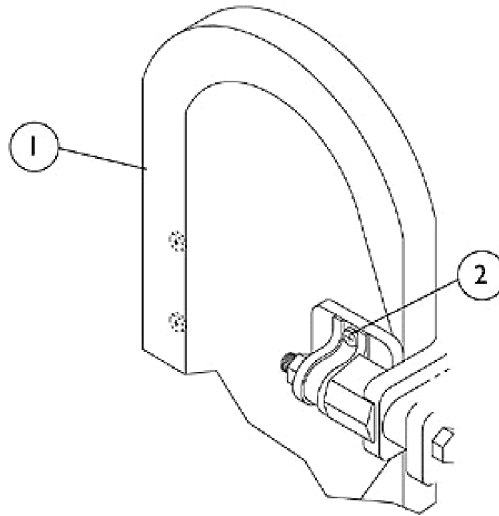
Legrest Support Assembly - AT5044

Wedge Style ("D" shaped tubing) Introduced 9/21/05

Specify frame finish when ordering. Legrest Support does not include Legrest Pad.

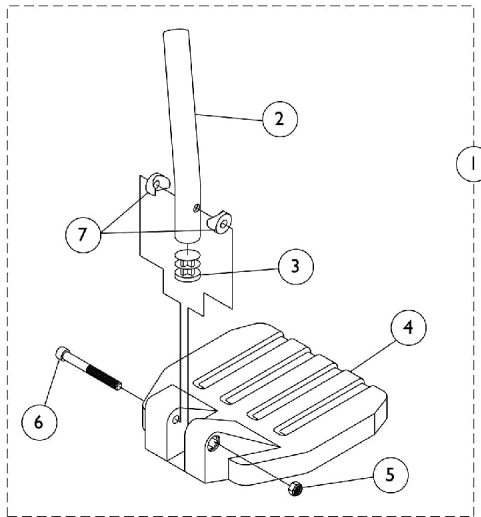
NOTE: A - Includes items 2,18,32, & 42
B - Includes items 3-17
C - Includes items 19-31
D - Includes items 7 and 33-41
E - Includes items 52-54
F - Includes items 43-50
G - Specify frame finish when ordering
H - Includes items 13, 14 and 16.

Legrest Calf Pads

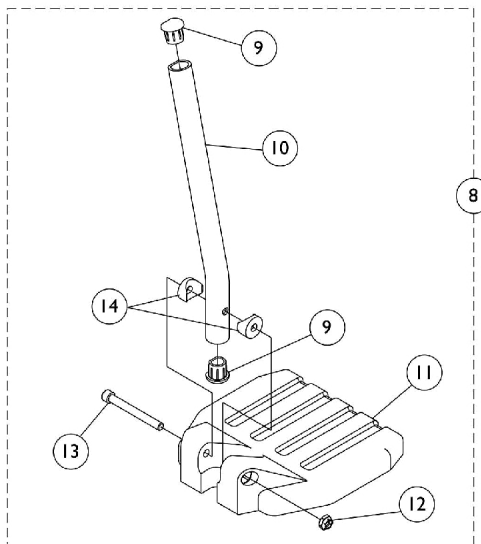


Item Number	Note	Part Number	Description	Quantity Per	
				Package	Assembly
1	A,B	8881102541	Pad, Legrest, Vinyl - Right/Left	1	1
1	A,C	88804530X003	Pad, Legrest, Vinyl - Right	1	1
1	A,C	88804530X004	Pad, Legrest, Vinyl - Left	1	1
1	A,D	88804529X003	Pad, Legrest, Vinyl - Right	1	1
1	A,D	88804529X004	Pad, Legrest, Vinyl - Left	1	1
1	A,E	8881091764	Pad, Legrest, Vinyl - Right/Left	1	1
2		1025716	Screw, Phillips Pan Head (#10-32 x 11/16")	1	2
NOTE: A - Specify U67 upholstery color when ordering. B - 10-11" Wide Chairs C - 12-13" Wide Chairs D - 14-15" Wide Chairs E - 16-18" Wide Chairs					

Composite Footplate and Pivot Tube Assemblies - 1651



**Used on all front riggings except
Wedge Style Elevating Legrests AT5044**



Used on Wedge Style Elevating Legrests AT5044

Composite Footplate and Pivot Tube Assemblies - 1651

Item Number	Note	Part Number	Description	Quantity Per	
				Package	Assembly
1	A	See Chart	#1 60 Degree Footrest (13-19")	1	1
1	A	See Chart	#1 70 Degree Non Tapered Footrest (14-19")	1	1
1	A	See Chart	#1 70 Degree Tapered Footrest (14-1/2-19-1/2")	1	1
1	A	See Chart	#1 AT5044 Elevating Legrest - Ratchet Style (16-20")	1	1
2	B	1120389	Tube, Pivot/Slide, Straight, Black - Long (9-7/8")	1	1
2	C	1120390	Tube, Pivot/Slide, Straight, 2" Longer ALPT, Black (11-7/8")	1	1
2	D	1120391	Tube, Pivot/Slide, Curved End, 2" Longer ALPT, Black (11-7/8")	1	1
3		1134426	Package, Plug Button, Black (3/4")	10	1
4		1026879	Footplate, Composite, Small, Black (6" W x 6" L)	1	1
4		1026880	Footplate, Composite, Medium, Black (7" W x 6" L)	1	1
4		1026881	Footplate, Composite, Large, Black (8" W x 6" L)	1	1
5		1025195	Locknut (1/4-20)	1	1
6		60285X006	Screw, Socket Head (1/4-20 x 2-1/4")	1	1
7		1025457	Spacer, Coved (1/4 x 3/4 x 11/32")	1	2
8	F	See Chart	#8 AT5044 Elevating Legrest - Wedge Style (16-20")	1	1
9		1134427	Package, Plug Button, Black, "D" Shaped (3/4")	10	1
10	E	1134428	Pivot/Slide Tube w/ D Insert, Black	1	1
10	E	1134429	Pivot/Slide Tube w/ D Insert, Black (2" Longer)	1	1
11		1026879	Footplate, Composite, Small, Black (6" W x 6" L)	1	1
11		1026880	Footplate, Composite, Medium, Black (7" W x 6" L)	1	1
11		1026881	Footplate, Composite, Large, Black (8" W x 6" L)	1	1
12		1025195	Locknut (1/4-20)	1	1
13		60285X006	Screw, Socket Head (1/4-20 x 2-1/4")	1	1
14		1025457	Spacer, Coved (1/4 x 3/4 x 11/32")	1	2

NOTE: A - Includes items 2-7
 B - 70° Footrests
 C - 70° Footrests, and AT5044 Ratchet Style Legrests
 D - 60° Footrests
 E - AT5044 Wedge Style Legrests
 F - Includes items 9-14

#1 60° Footrest (13-19") Curved End

Right/Left	Small Long 14" wide	Medium Long 15-16" wide	Large Long 17-18" wide
Right	1120416	1120418	1120420
Left	1120417	1120419	1120421

Composite Footplate and Pivot Tube Assemblies - 1651

#1 70 Degree Non Tapered; 70LIFTNT Footrest (14-19")

Straight

Right/Left	Small Short 14" wide	Small 2" Longer 14" wide	Medium Short 15-16" wide	Medium 2" Longer 15-16" wide	Large Short 17-18" wide	Large 2" Longer 17-18" wide
Right	1120404	1120410	1120406	1120412	1120408	1120414
Left	1120405	1120411	1120407	1120413	1120409	1120415

#1 70 Degree Tapered Footrest (14-1/2 - 19-1/2") Straight

Right/Left	Small Short 16-17" wide	Small 2" Longer 16-17" wide	Medium Short 18" wide	Medium 2" Longer 18" wide
Right	1120404	1120410	1120406	1120412
Left	1120405	1120411	1120407	1120413

#1 AT5044 Elevating Legrest - Ratchet Style (16-20") Curved End

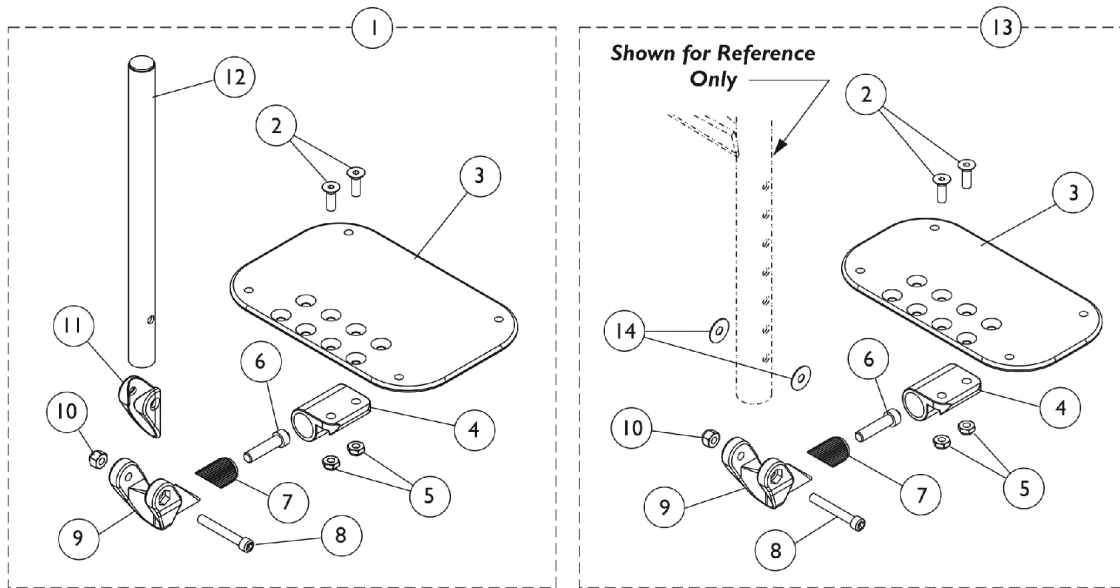
Right/Left	Small Long 14" wide	Medium Long 15-16" wide	Large Long 17-18" wide
Right	1120416	1120418	1120420
Left	1120417	1120419	1120421

Composite Footplate and Pivot Tube Assemblies - 1651

#8 AT5044 Elevating Legrest - Wedge Style (16-20") Curved End

Right/Left	Small Long 14" wide	Medium Long 15-16" wide	Large Long 17-22" wide
Right	1132107	1132109	1132111
Left	1132108	1132110	1132112

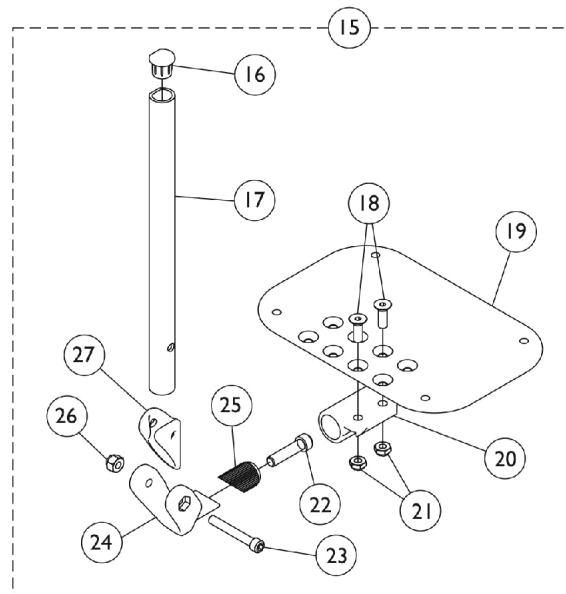
Adjustable Angle Footplate Assemblies - AT5543



**Swingaway Front Riggings
Except 90 Degree and 70 Degree MFX**

90 Degree and 70 Degree MFX

Used on all front riggings except Wedge Style AT5044 Elevating Legrests



Used on Wedge Style AT5044 Elevating Legrests

Adjustable Angle Footplate Assemblies - AT5543

Item Number	Note	Part Number	Description	Quantity Per	
				Package	Assembly
1	C	See Chart	#1 60 Degree, 60 Degree MFX, 70 Degree Non Tapered, 70LIFTNT, & Ratchet Style AT5044 Front Riggings	1	1
1	C	See Chart	#1 70 Degree Tapered Footrests	1	1
2		1113578	Screw, Socket Flat Head (1/4-28 x 3/4")	1	2
3	G	1113571	Footplate, Adjustable Angle, Small, Black (3-1/4" W x 8" L)	1	1
3	G	1113572	Footplate, Adjustable Angle, Medium, Black (4-1/4" W x 8" L)	1	1
3	G	1113573	Footplate, Adjustable Angle, Large, Black (5-1/4" W x 8" L)	1	1
3	G	1113574	Footplate, Adjustable Angle, Extra Large, Black (6-1/4" W x 8" L)	1	1
3		1113575	Footplate, Adjustable Angle, XX- Large, Black (7-1/4" W x 8" L)	1	1
4		1113528	Bracket, Adjustable Angle Footplate, Black	1	1
5		1025765	Locknut (1/4-28)	1	2
6		1021344	Screw, Socket Head (5/16-18 x 1-1/2")	1	1
7		1113530	Attachment, Hinge	1	1
8		1096810	Screw, Socket Head (1/4-28 x 1-3/4")	1	1
9		1113529	Hinge, Adjustable Angle Footrest	1	1
10		1065362	Locknut (1/4-28)	1	1
11		1114688	Spacer, Hinge, Black	1	1
12	A	1114699	Tube, Pivot/Slide, Straight, Black (10-1/4")	1	1
12	B	1114700	Tube, Pivot/Slide, Straight, 2" Longer ALPT, Black (12-1/4")	1	1
13	D	See Chart	#13 90 Degree / 70 Degree MFX, 70 Degree LIFTMFX and 90 Degree LIFTMFX Footrests	1	1
14		1025456	Washer, Nylon (3/4 x 1/4 x 1/32")	1	2
15	E	See Chart	#15 Wedge Style AT5044 Elevating Legrests	1	1
16		1134427	Package, Plug Button, Black, "D" Shaped (3/4")	10	1
17	F	1134433	Pivot/Slide Tube w/ D Insert, Black	1	1
17	F	1134432	Pivot/Slide Tube w/ D Insert, Black (2" Longer)	1	1
18		1113578	Screw, Socket Flat Head (1/4-28 x 3/4")	1	2
19		1113573	Footplate, Adjustable Angle, Large, Black (5-1/4" W x 8" L)	1	1
19		1113574	Footplate, Adjustable Angle, Extra Large, Black (6-1/4" W x 8" L)	1	1
19		1113575	Footplate, Adjustable Angle, XX- Large, Black (7-1/4" W x 8" L)	1	1
20		1113528	Bracket, Adjustable Angle Footplate, Black	1	1
21		1025765	Locknut (1/4-28)	1	2
22		1021343	Screw, Socket Head (5/16-18 x 1-1/4")	1	1
23		1096810	Screw, Socket Head (1/4-28 x 1-3/4")	1	1
24		1113529	Hinge, Adjustable Angle Footrest	1	1
25		1113530	Attachment, Hinge	1	1
26		1065362	Locknut (1/4-28)	1	1

Adjustable Angle Footplate Assemblies - AT5543

Item Number	Note	Part Number	Description	Quantity Per	
				Package	Assembly
27		1114688	Spacer, Hinge, Black	1	1
NOTE: A - 60°, 60° MFX, 70° Tapered, 70° Non Tapered, 70LIFTNT Footrests, and Ratchet Style AT5044 Legrest B - ALPT 2" Longer C - Includes items 2-12 D - Includes items 2-10 & 14 E - Includes items 16-27 F - Wedge Style AT5044 Legrest G - This footplate was revised 9/2/2008 with rounder corners and accessory holes changed from 8 to 4. Recommended to replace footplate in pairs to match sides.					

#1 60 Degree, 60 Degree MFX, 70 Degree Non Tapered, 70LIFTNT, & Ratchet Style AT5044 Front Riggings

Straight Slide Tube (10-1/4")	Right	Left
10-11" Wide (3-1/4" Footplate)	1114638-NLA	1114639-NLA
12-13" Wide (4-1/4" Footplate)	1114640	1114641
14-15" Wide (5-1/4" Footplate)	1114642	1114643
16-17" Wide (6-1/4" Footplate)	1114644	1114645
18" Wide (7-1/4" Footplate)	1114646	1114647
ALPT Straight Slide Tube (12-1/4")	Right	Left
10-11" Wide (3-1/4" Footplate)	1114648-NLA	1114649-NLA
12-13" Wide (4-1/4" Footplate)	1114650	1114651
14-15" Wide (5-1/4" Footplate)	1114652	1114653
16-17" Wide (6-1/4" Footplate)	1114654	1114655
18" Wide (7-1/4" Footplate)	1114656	1114657

#1 70 Degree Tapered Footrests

Straight Slide Tube (10-1/4")	Right	Left
16" Wide (4-1/4" Footplate)	1114640	1114641
17-18" Wide (5-1/4" Footplate)	1114642	1114643
ALPT Straight Slide Tube (12-1/4")	Right	Left
16" Wide (4-1/4" Footplate)	1114650	1114651
17-18" Wide (5-1/4" Footplate)	1114652	1114653

Adjustable Angle Footplate Assemblies - AT5543

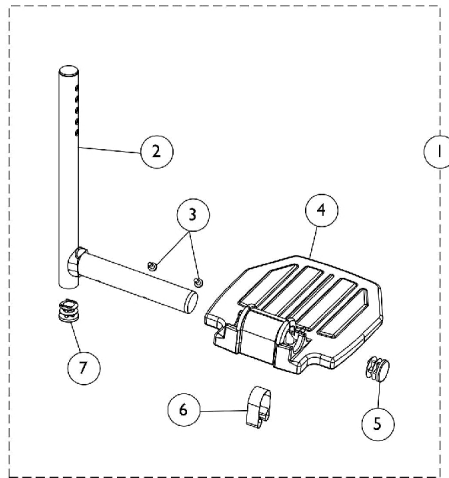
#13 90 Degree / 70 Degree MFX, 70 Degree LIFTMFX and 90 Degree LIFTMFX Footrests

No Slide Tube - Bolts Through Support	Right	Left
10-11" Wide (3-1/4" Footplate)	1114628-NLA	1114629-NLA
12-13" Wide (4-1/4" Footplate)	1114630	1114631
14-15" Wide (5-1/4" Footplate)	1114632	1114633
16-17" Wide (6-1/4" Footplate)	1114634	1114635
18" Wide (7-1/4" Footplate)	1114636	1114637

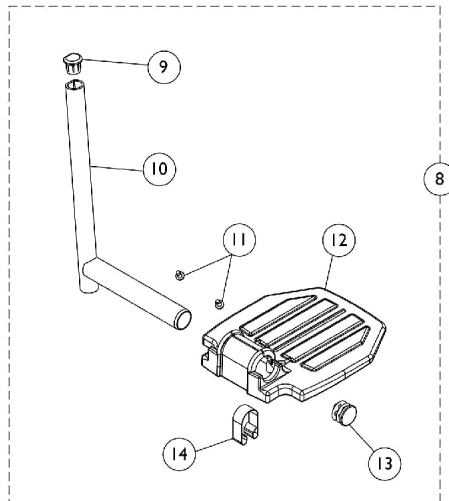
#15 Wedge Style AT5044 Elevating Legrests

Straight Slide Tube (10-1/4")	Right	Left
14-15" Wide (5-1/4" Footplate)	1132061	1132062
16-17" Wide (6-1/4" Footplate)	1132063	1132064
18" Wide (7-1/4" Footplate)	1132065	1132066
ALPT Straight Slide Tube (12-1/4")	Right	Left
14-15" Wide (5-1/4" Footplate)	1132089	1132090
16-17" Wide (6-1/4" Footplate)	1132091	1132092
18" Wide (7-1/4" Footplate)	1132093	1132094

Footplate and Pivot Tube Assemblies - A1562 Aluminum



**Used on all front riggings except
Wedge Style AT5044 Elevating Legrests**



Used on Wedge Style AT5044 Elevating Legrests

Footplate and Pivot Tube Assemblies - A1562 Aluminum

Item Number	Note	Part Number	Description	Quantity Per	
				Package	Assembly
1	A	See Chart	#1 Aluminum Footplate w/ Pivot Tube Assembly	1	1
2		1120330	Pivot/Slide Tube w/ Plug, Black	1	1
3		1025729	Screw, Phillips Pan Head Tap (#8-32 x 3/8")	1	2
4		44200X032-NLA	NLA - Footplate, Aluminum, Extra Small, Black (5-3/4" W x 6" L)	1	1
4		44200X059	Footplate, Aluminum, Small, Black (6-3/4" W x 6" L)	1	1
4		44200X027	Footplate, Aluminum, Medium, Black (7-3/4" W x 6" L)	1	1
5		1130582	Package, Plug Button, Black (7/8")	10	1
6	1006981	Spring, Tension	1	1	
7	1134426	Package, Plug Button, Black (3/4")	10	1	
	B	1074568	Package, Push Plug, Footplate	2	1
8	C	See Chart	#8 Aluminum Footplate w/ Pivot Tube Assembly	1	1
9		1134427	Package, Plug Button, Black, "D" Shaped (3/4")	10	1
10		1134431	Pivot/Slide Tube w/ Plug Buttons, Black	10	1
11		1025729	Screw, Phillips Pan Head Tap (#8-32 x 3/8")	1	2
12		44200X059	Footplate, Aluminum, Small, Black (6-3/4" W x 6" L)	1	1
12		44200X027	Footplate, Aluminum, Medium, Black (7-3/4" W x 6" L)	1	1
13		1130582	Package, Plug Button, Black (7/8")	10	1
14		1006981	Spring, Tension	1	1
NOTE: A - Includes items 2-7 B - Not Shown C - Includes items 9-14					

Footplate and Pivot Tube Assemblies - A1562 Aluminum

#1 Aluminum Footplate w/ Pivot Tube Assembly

All Front Riggings except Wedge Style AT5044 Elevating Legrests

Description	Footplate Size	Chair Width	Right	Left
All Front Riggings Except Tapered Footrests	Extra Small	12-13"	1120333	1120334
All Front Riggings Except Tapered Footrests	Small	14-15"	1120335	1120336
All Front Riggings Except Tapered Footrests	Medium	16-18"	1120337	1120338
70 Degree Tapered Footrests	Small	16-17"	1120335	1120336
70 Degree Tapered Footrests	Medium	18"	1120337	1120338

Includes items 2-7

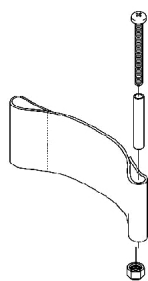
#8 Aluminum Footplate w/ Pivot Tube Assembly

Wedge Style AT5044 Elevating Legrests

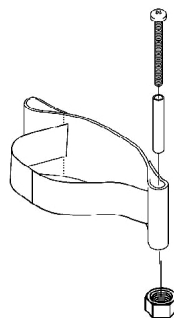
Footplate Size	Chair Width	Right	Left
Small	14-15"	1132113	1132114
Medium	16-18"	1132073	1132074

Includes items 9-14

Heel Loops and Heel Loops w/ Ankle Straps



Heel Loop



Heel Loop with Ankle Strap

Composite Footplates - 1651

Footplate Size	Heel Loop Single #	Heel Loop Pair #	Heel Loop w/ Ankle Strap Single # - Right	Heel Loop w/ Ankle Strap Single # - Left	Heel Loop w/ Ankle Strap Pair #	Attaching Hardware Pair #
Small (6" Wide)	1025234-NLA	1035905	1035908-NLA	1035909-NLA	1035906	1035931
Medium (7" Wide)	1017621	1035917-NLA	1053313-NLA	1053314-NLA	1053329	1035931
Large (8" Wide)	1027000	1035929	1035932-NLA	1035933-NLA	1035930	1035931

Aluminum Footplates - A1562

Footplate Size	Heel Loop Single #	Heel Loop Pair #	Heel Loop w/ Ankle Strap Single # - Right	Heel Loop w/ Ankle Strap Single # - Left	Heel Loop w/ Ankle Strap Pair #	Attaching Hardware Pair #
Extra Small (5-3/4" Wide)	1025234-NLA	1035905	1035908-NLA	1035909-NLA	1035906	1035931
Small (6-3/4" Wide)	1017621	1035917-NLA	1035919	1035920	1035918	1035931
Medium (7-3/4" Wide)	1027000	1035929	1035932-NLA	1035933-NLA	1035930	1035931

Heel Loops and Heel Loops w/ Ankle Straps

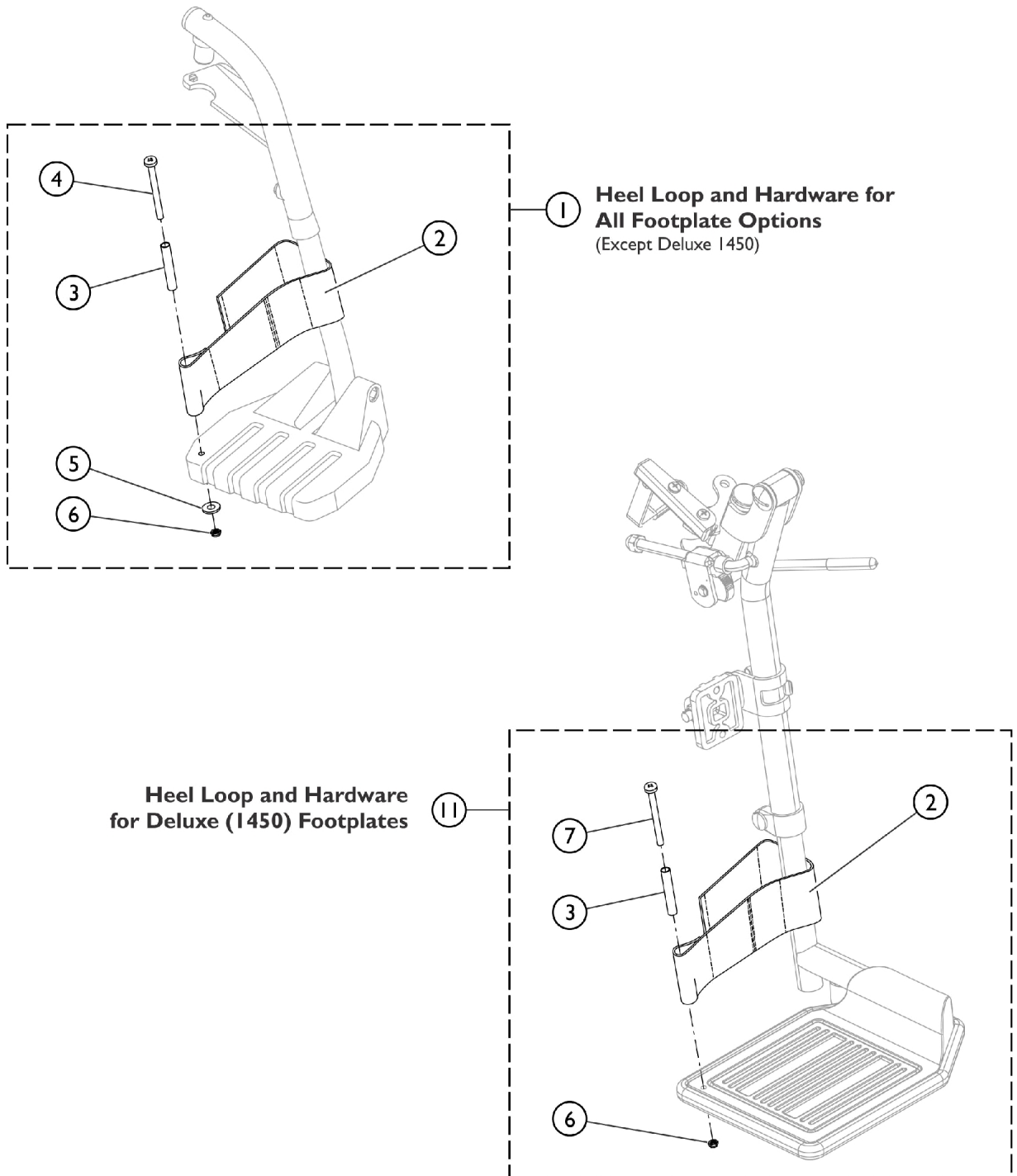
Adjustable Angle Footplates - AT5543

Footplate Size	Heel Loop Single #	Heel Loop Pair #	Heel Loop w/ Ankle Strap Single # - Right	Heel Loop w/ Ankle Strap Single # - Left	Heel Loop w/ Ankle Strap Pair #	Attaching Hardware Pair #
Extra Small (3-1/4" W)	1018269	1036099-NLA	1036097-NLA	1036097-NLA	1036102	1036096
Small (4-1/4" W)	1025234-NLA	1035905	1035908-NLA	1035909-NLA	1035906	1035931
Medium (5-1/4" W)	1017621	1035917-NLA	1053313-NLA	1053314-NLA	1053329	1035931
Large (6-1/4" W)	1027000	1035929	1035932-NLA	1035933-NLA	1035930	1035931

Heel Loop Attaching Hardware Kits

1035931	1036096
Kit Includes the following	Kit Includes the following
(2) Screw, Phillips Pan Head (1/4-20 x 2-1/4") (2) Spacer (1/4 x 11/32 x 1-3/4") (2) Hex Nut w/ Nylon Cap (1/4-20) (2) Flat Washer (1/4 x 5/8 x 1/16")	(8) Screw, Phillips Pan Head (10-32 x 5/16") (8) Flat Washer

Front Riggings - Adjustable Heel Loops

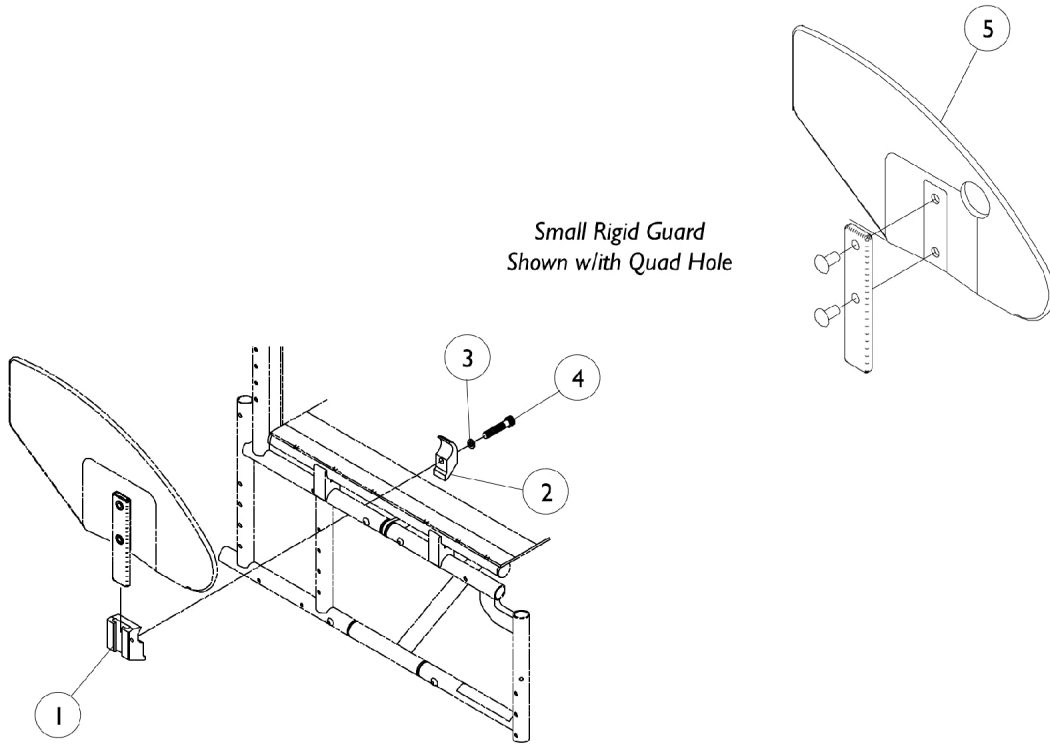


SCM_058A

Front Riggings - Adjustable Heel Loops

Item Number	Note	Part Number	Description	Quantity Per	
				Package	Assembly
1	A	1191117	Kit, Heel Loop, Adjustable w/ Hardware (Pair)	1	1
2			Heel Loop	1	2
3			NLA - Spacer (1/4 x 11/32 x 1-3/4")	1	2
4			NLA - Screw, Phillips Pan Head (1/4-20 x 2-1/4")	1	2
5			Washer, Flat (1/4 x 5/8 x 1/16")	1	2
6			Nut, Hex, Nylon Cap (1/4-20)	1	2
			Instruction Sheet, Adjustable Heel Loop	1	1
11	B	1191116	Kit, Heel Loop, Adjustable w/ Hardware, Deluxe 1450 (Pair)	1	1
2			Heel Loop	1	2
3			NLA - Spacer (1/4 x 11/32 x 1-3/4")	1	2
6			Nut, Hex, Nylon Cap (1/4-20)	1	2
7			NLA - Screw, Phillips Pan Head (1/4-20 x 2-1/2")	1	2
			Instruction Sheet, Adjustable Heel Loop	1	1
NOTE: A - Kit includes items 2 - 6. Used with all Footplates except Deluxe (1450). B - Kit includes items 2, 3, 6, and item 7. Used with Deluxe (1450) Footplates only.					

Rigid Side Guards



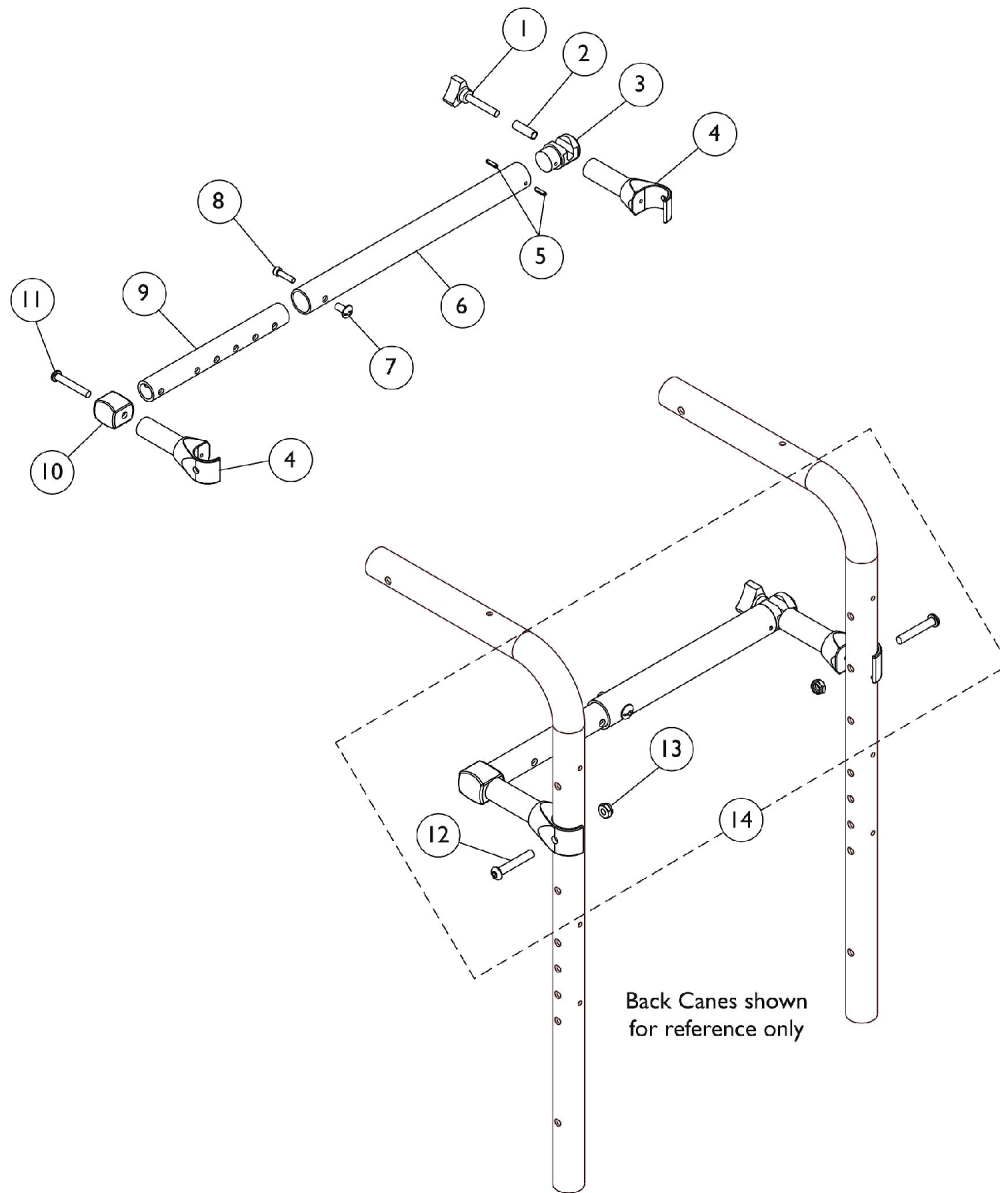
*Small Rigid Guard
Shown with Quad Hole*

Rigid Side Guards

Item Number	Note	Part Number	Description	Quantity Per	
				Package	Assembly
1		1032249	Clamp, Half, Threaded	1	1
2		1018692-NLA	NLA - Clamp, Half, Non-Threaded	1	1
3		1013971	Washer, Nylon (1/4 x 7/16 x 5/64")	1	1
4		1003545	Screw, Socket Head (1/4-20 x 1-1/4")	1	1
5		1036346	Guard, Side, Small w/o Quad Hole - Right (6-1/4" H x 11-1/4" D)	1	1
5		1036347	Guard, Side, Small w/o Quad Hole - Left (6-1/4" H x 11-1/4" D)	1	1
5		1036407	Guard, Side, Small w/ Quad Hole - Right (6-1/4" H x 11-1/4" D)	1	1
5		1036408	Guard, Side, Small w/ Quad Hole - Left (6-1/4" H x 11-1/4" D)	1	1
5		1036344	Guard, Side, Large w/o Quad Hole - Right (7-3/4" H x 12-3/8" D)	1	1
5		1036345	Guard, Side, Large w/o Quad Hole - Left (7-3/4" H x 12-3/8" D)	1	1
5		1036405	Guard, Side, Large w/ Quad Hole - Right (7-3/4" H x 12-3/8" D)	1	1
5		1036406	Guard, Side, Large w/ Quad Hole - Left (7-3/4" H x 12-3/8" D)	1	1
	A	1036342	Kit, Side Guard Hardware (Pair)	2	1

NOTE: A - Not Shown. Includes Items 1-4.

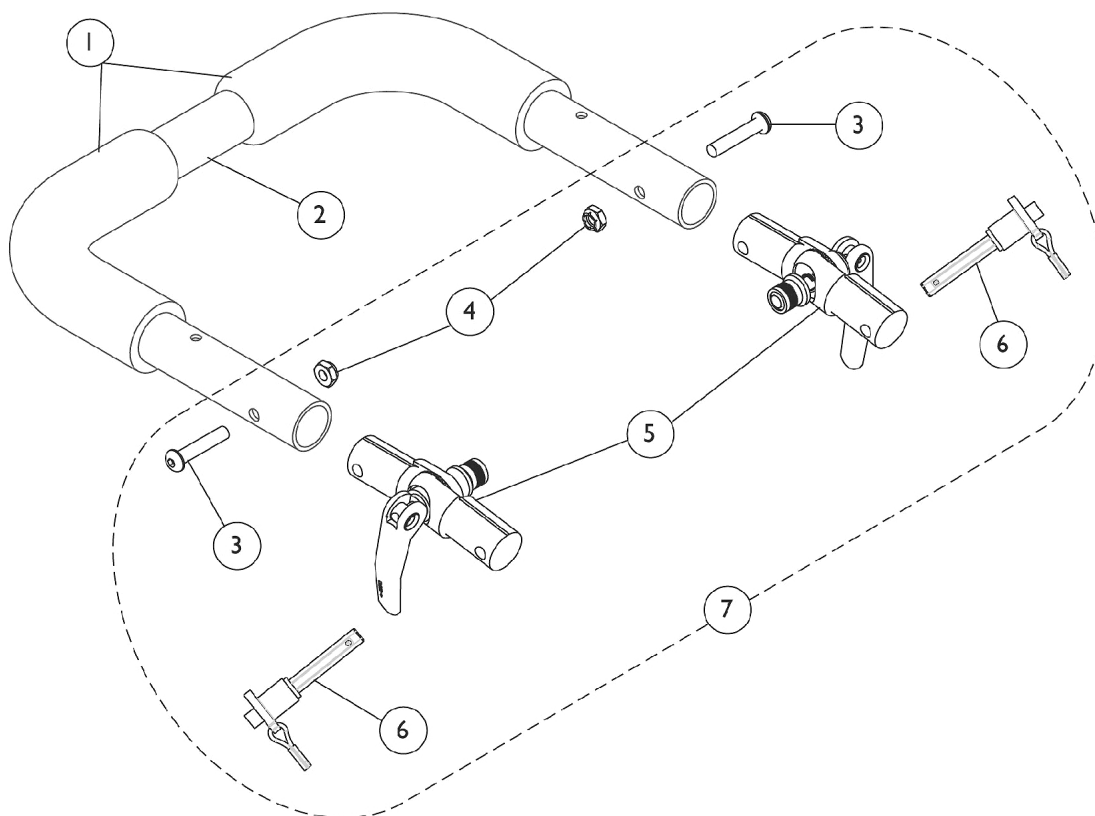
Fold Down Rigidizer Bar



Fold Down Rigidizer Bar

Item Number	Note	Part Number	Description	Quantity Per	
				Package	Assembly
1		1027684	Knob, Clamping, Black	1	1
2		1118534	Bushing, Steel (5/16 x 1/4 x 1")	1	1
3		1118603-NLA	NLA - Plug, Slotted End	1	1
4	E	1118605-NLA	NLA - Clamp, Rigidizer Bar	1	2
5		51000M705	Pin, Roll (1/8 x 1/2")	1	2
6	A	1118600-NLA	NLA - Tube, Outside Rigidizer Bar, Black	1	1
6	B	1118601-NLA	NLA - Tube, Outside Rigidizer Bar, Black	1	1
7		1028846-NLA	NLA - Rivnut (#10-32)	1	1
8		0224600-NLA	NLA - Screw, Socket Head, Cap (#10-32 x 3/4")	1	1
9		1118599-NLA	NLA - Tube, Inside Rigidizer Bar	1	1
10	D	1118502-NLA	NLA - Cap, End, Lower, Black	1	1
11		1019590	Screw, Socket Button Head (1/4-20 x 1-5/8")	1	1
12		1083099	Screw, Socket Button Head (1/4-28 x 1-1/2")	1	2
13		60320X000	Locknut (1/4-28)	1	2
14	A,C	1118608-NLA	NLA - Kit, Spreader Bar with Hardware	1	1
14	B,C	1118609-NLA	NLA - Kit, Spreader Bar with Hardware	1	1
NOTE: A - 10-14" Wide Chairs B - 14-18" Wide Chairs C - Includes Rigidizer Bar (items 1-11) and items 12-13. D - Part #1118502 is no longer available as a service part individually. See item 14 as a replacement. E - Part #1118605 is no longer available as a service part individually. See item 14 as a replacement.					

Adjustable Angle Stroller Handle (8/16/05 to 5/29/08)



Adjustable Angle Stroller Handle (8/16/05 to 5/29/08)

Item Number	Note	Part Number	Description	Quantity Per	
				Package	Assembly
1	A	1032245	Grip, Foam Hand (6-7/8" L)	1	2
1	B	1133698	Grip, Foam Hand (9" L)	1	2
2		See Chart	#2 Push Handle with Grip (10-13" Wide)	1	1
2		See Chart	#2 Push Handle with Grip (14-18" Wide)	1	1
3		1055309	Screw, Socket Button Head (1/4-28 x 1-1/4")	1	2
4		1025765	Locknut (1/4-28)	1	4
5		1112539	Folding Hinge Assembly	1	2
6		1045470	Pin, Quick Release with Lanyard	1	2
7	C	1114689-NLA	NLA - Hardware, Stroller Handle Hinge (1 Pair)	2	1

NOTE: A - 10-11" Wide Chairs
B - 12-18" Wide Chairs
C - Includes items 3-6

#2 Push Handle with Grip (10-13" Wide)

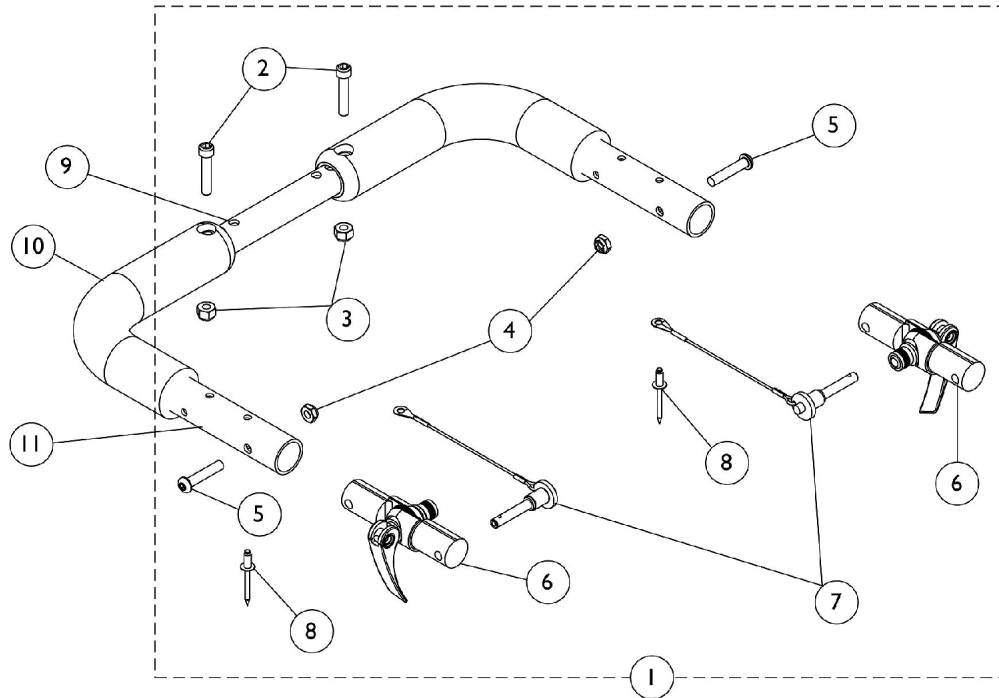
10" Wide	11" Wide	12" Wide	13" Wide
1082618-NLA	1082619-NLA	1082620-NLA	1082621-NLA

#2 Push Handle with Grip (14-18" Wide)

14" Wide	15" Wide	16" Wide	17" Wide	18" Wide
1082622-NLA	1082623	1082624	1086406	1086407

Adjustable Angle Stroller Handle (After 8/16/05)

Stroller Handle Hardware (item 1) includes hardware only (items 2-8). If a complete Stroller Handle is needed then items 9 & 11 must be ordered as well.



Adjustable Angle Stroller Handle (After 8/16/05)

Stroller Handle Hardware (item 1) includes hardware only (items 2-8). If a complete Stroller Handle is needed then items 9 & 11 must be ordered as well.

Item Number	Note	Part Number	Description	Quantity Per	
				Package	Assembly
1	A	1127791	Kit, Adjustable Angle Stroller Handle Hardware	1	1
2			Screw, Allen Head (1/4-28 x 1-1/4")	1	2
3			Locknut (1/4-28)	1	2
4			Locknut (1/4-28)	1	2
5			Screw, Socket Button Head (1/4-28 x 1-1/4")	1	2
6			Folding Hinge Assembly	1	2
7			Pin, Quick Release with Lanyard	1	2
8			NLA - Rivet (3/16 x 7/16")	1	2
9		See Chart	#9 Crossbrace Tube	1	1
10	B	1055398	Grip, Hand, Foam (4")	1	2
10	C	1127767	Grip, Foam (9")	1	2
11	B,D	1134900-NLA	NLA - Stroller Handle Assembly - Right/Left	1	2
11	C,D	1127789	Stroller Handle Assembly - Right/Left	1	2

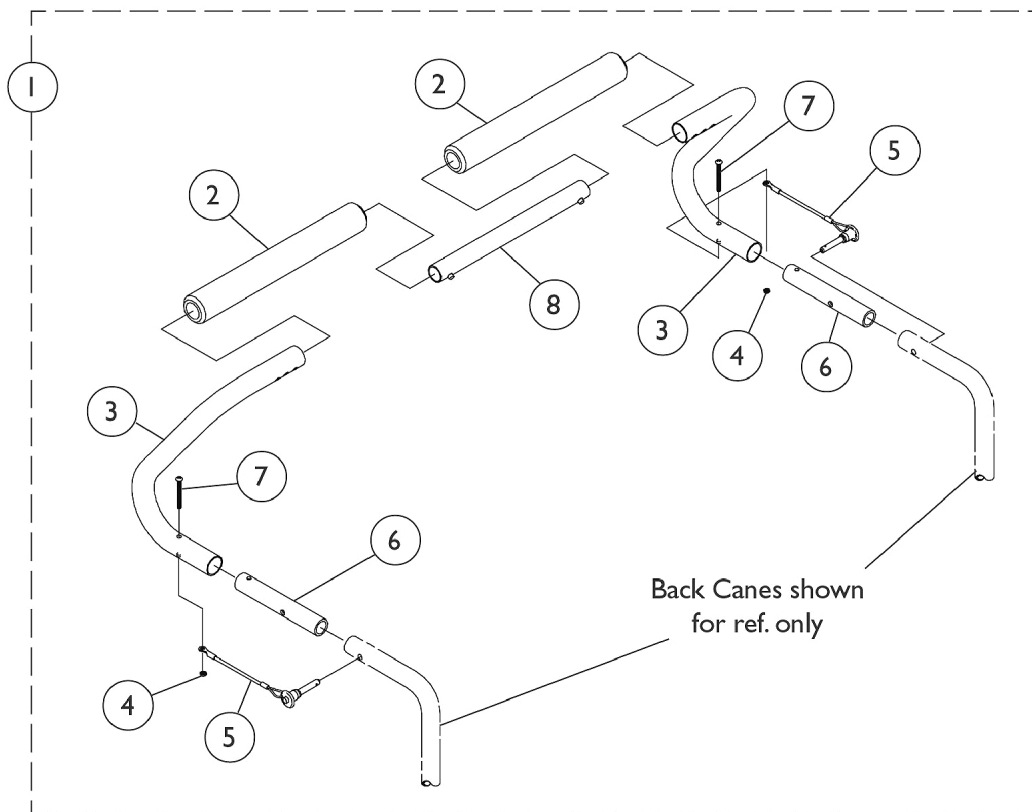
NOTE: A - Includes items 2-8
 B - 10"-11" Wide chairs
 C - 12"-18" Wide chairs
 D - Includes item 10, Foam Grip

#9 Crossbrace Tube

10-11" Wide	12-13" Wide	14-15" Wide	16-18" Wide
1134896-NLA	1129473	1129474	1129475

Non-Adjustable Rigidizing Stroller Handle - 1483

Before 8/16/05

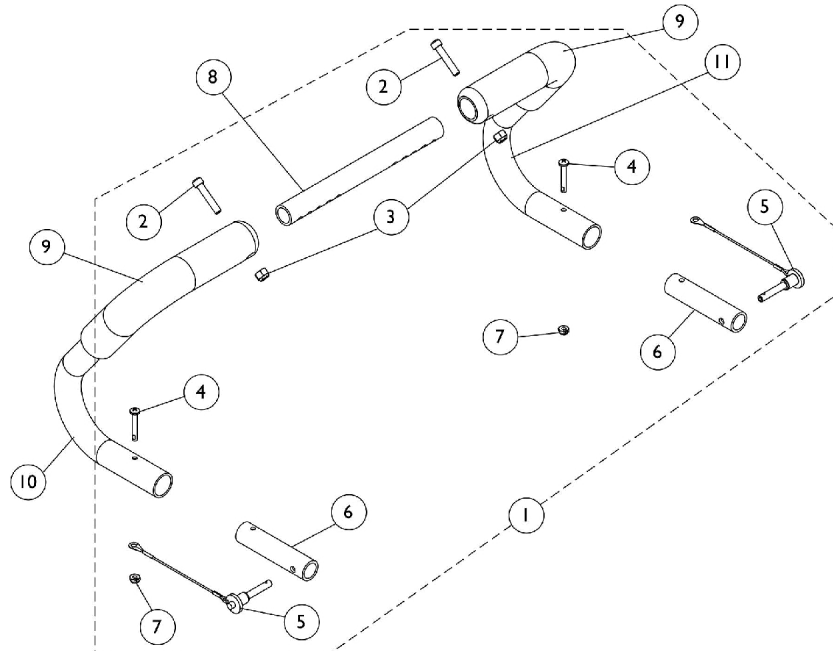


Non-Adjustable Rigidizing Stroller Handle - 1483 Before 8/16/05

Item Number	Note	Part Number	Description	Quantity Per	
				Package	Assembly
1	A,B	1071194-NLA	NLA - Stroller Handle Assembly (10-12")	1	1
1	A,C	1071193-NLA	NLA - Stroller Handle Assembly (13-15")	1	1
1	A,D	1075082	Stroller Handle Assembly (16-18")	1	1
2		1133698	Grip, Foam Hand (9" L)	1	2
3		1075091-NLA	NLA - Handle, Stroller, Black - Right	1	1
3		1075092-NLA	NLA - Handle, Stroller, Black - Left	1	1
4		1025735	Locknut (#10-32)	1	2
5		1045470	Pin, Quick Release with Lanyard	1	2
6		1061993-NLA	NLA - Tube, Insert	1	2
7		1025722	Screw, Phillips Pan Head (#10-32 x 1-1/4")	1	2
8	B	1071175-NLA	NLA - Link Assembly, Stroller Handle	1	1
8	C	1071174-NLA	NLA - Link Assembly, Stroller Handle	1	1
8	D	1075083	Link Assembly, Stroller Handle	1	1
NOTE: A - Includes items 2 - 8. B - 10 - 12" Wide Chairs. C - 13 - 15" Wide Chairs. D - 16 - 18" Wide Chairs.					

Non-Adjustable Rigidizing Stroller Handle - 1483 (After 8/16/05)

Stroller Handle Hardware (item 1) includes hardware only (items 2-7). If a complete Stroller Handle is needed then items 8, 10, & 11 must be ordered as well.



Item Number	Note	Part Number	Description	Quantity Per	
				Package	Assembly
1	A	1127689	Kit, Non-Adjustable Stroller Handle Hardware	1	1
2			Screw, Allen Head (1/4-28 x 1-1/4")	1	2
3			Locknut (1/4-28)	1	2
4			Screw, Phillips Pan Head (#10-32 x 1-1/4")	1	2
5			Pin, Quick Release with Lanyard	1	2
6			NLA - Tube, Insert	1	2
7			Locknut (#10-32)	1	2
8		See Chart	#8 Crossbrace Tube	1	1
9		1127767	Grip, Foam (9")	1	2
10	B	1134902-NLA	NLA - Stroller Handle Assembly - Right	1	1
10	C	1127690	Stroller Handle Assembly - Right	1	1
11	B	1134903-NLA	NLA - Stroller Handle Assembly - Left	1	1
11	C	1127691	Stroller Handle Assembly - Left	1	1

NOTE: A - Includes items 2-7
 B - 10"-11" Wide chairs. Includes item 9, Foam Grip
 C - 12"-18" Wide chairs. Includes item 9, Foam Grip

#8 Crossbrace Tube

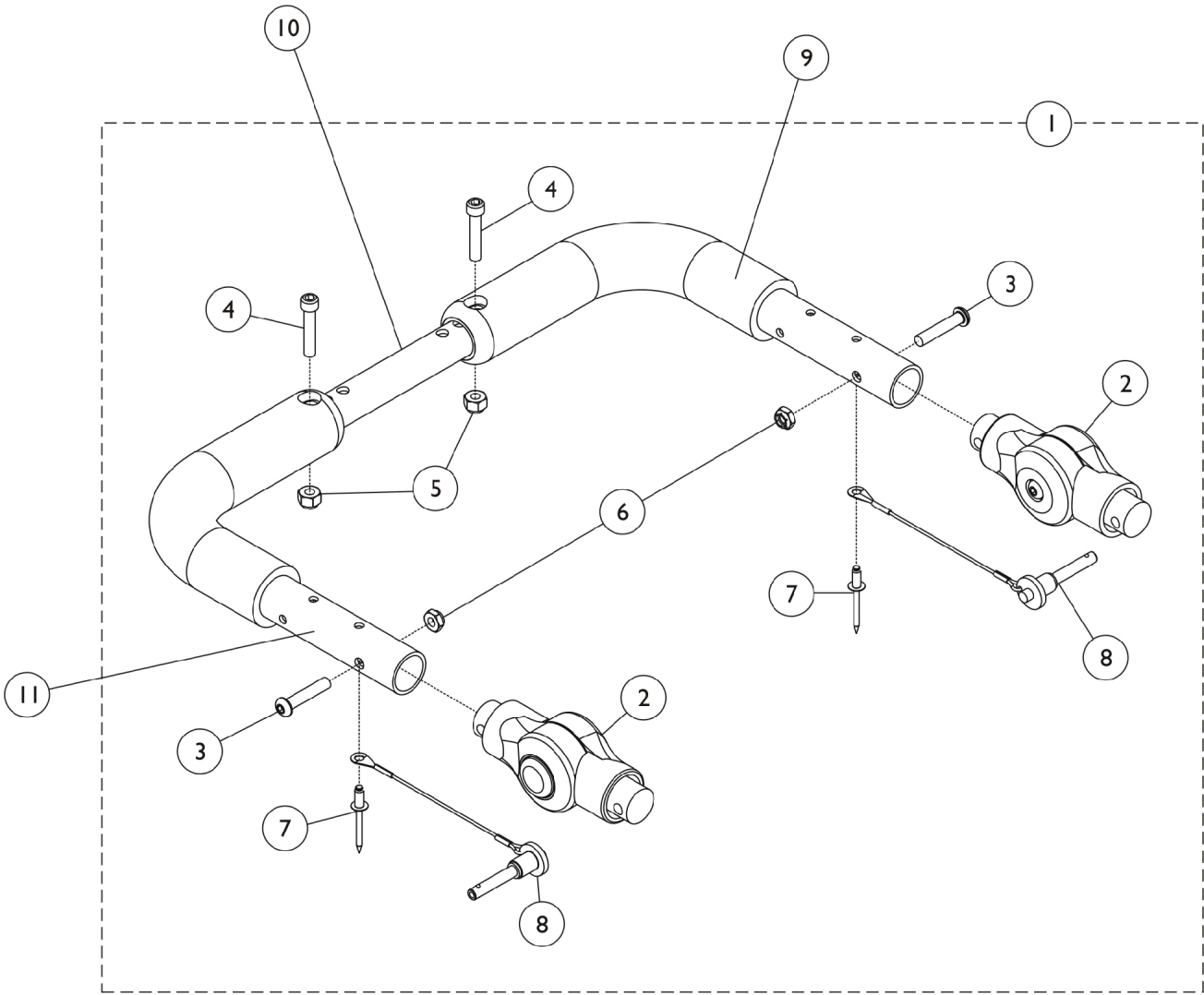
10"-11" Wide	12"-13" Wide	14"-15" Wide	16"-18" Wide
1134896-NLA	1129473	1129474	1129475

Non-Adjustable Rigidizing Stroller Handle - 1483

(After 8/16/05)

Stroller Handle Hardware (item 1) includes hardware only (items 2-7). If a complete Stroller Handle is needed then items 8, 10, & 11 must be ordered as well.

Adjustable Angle Stroller Handle - Rigid Outside Mount (After 5/29/08)



Adjustable Angle Stroller Handle - Rigid Outside Mount (After 5/29/08)

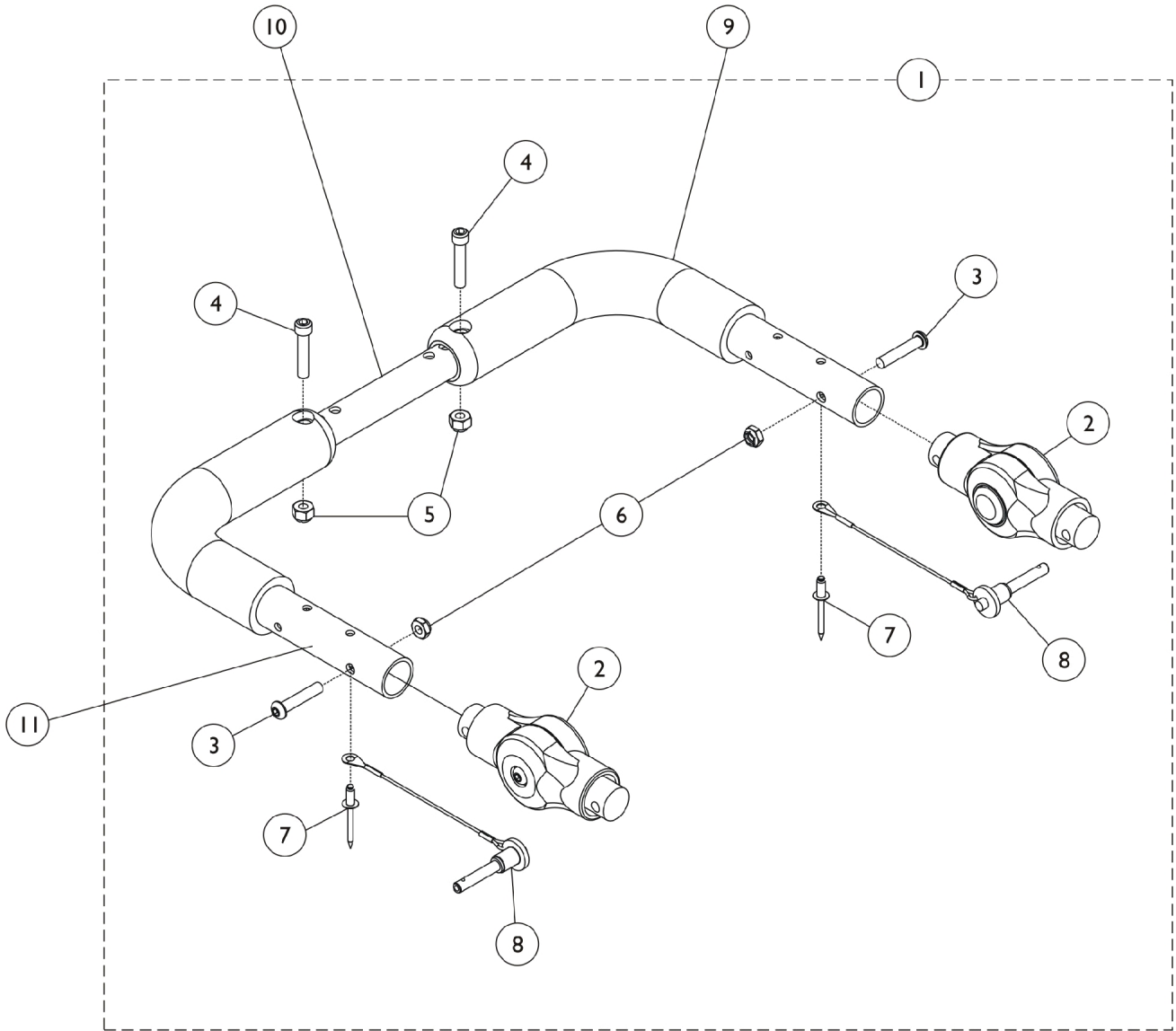
Item Number	Note	Part Number	Description	Quantity Per	
				Package	Assembly
1	A,B	1136692	Kit, Stroller Handle, Adjustable Angle - Rigid Outside Mount	1	1
2			Gear, Stroller Handle	1	2
3			Screw, Socket Button Head (1/4-28 x 1-1/4")	1	2
4			Screw, Allen Head (1/4-28 x 1-1/4")	1	2
5			Locknut (1/4-28)	1	2
6			Locknut (1/4-28)	1	2
7			NLA - Rivet (3/16 x 7/16")	1	2
8			Pin, Quick Release with Lanyard	1	2
9		1127767	Grip, Foam (9")	1	2
10		See Chart	#10 Crossbrace Tube	1	1
11	D	1150938	Stroller Handle Assembly - Right/Left	1	1
	C	1161431	Package, Adjusting Button, Black	10	1

NOTE: A - Includes items 2-8.
 B - To order replacement Stroller Handle Gear Adjusting Buttons, order package part number 1161431.
 C - Not Shown.
 D - Includes item #9 Foam Grip also

#10 Crossbrace Tube

12-16" Wide	14-18" Wide	16-20" Wide	18-22" Wide
1129473	1129474	1129475	1129476

Adjustable Angle Stroller Handle - Rigid Inside SPREE/COMPASS SPT (After 5/29/08)



Adjustable Angle Stroller Handle - Rigid Inside SPREE/COMPASS SPT (After 5/29/08)

Item Number	Note	Part Number	Description	Quantity Per	
				Package	Assembly
1	A,B	1136695	Kit, Stroller Handle, Adjustable Angle - Rigid Inside Mount	1	1
2			Gear, Stroller Handle	1	2
3			Screw, Socket Button Head (1/4-28 x 1-1/4")	1	2
4			Screw, Allen Head (1/4-28 x 1-1/4")	1	2
5			Locknut (1/4-28)	1	2
6			Locknut (1/4-28)	1	2
7			NLA - Rivet (3/16 x 7/16")	1	2
8			Pin, Quick Release with Lanyard	1	2
9		1127767	Grip, Foam (9")	1	1
10		See Chart	#8 Crossbrace Tube	1	1
11	D	1150938	Stroller Handle Assembly - Right/Left	1	1
	C	1161431	Package, Adjusting Button, Black	10	1

NOTE: A - Includes items 2-8.
 B - To order replacement Stroller Handle Gear Adjusting Buttons, order package part number 1161431.
 C - Not Shown.
 D - Includes item #9 Foam Grip also

#8 Crossbrace Tube

12-16" Wide	14-18" Wide	16-20" Wide	18-22" Wide
1129473	1129474	1129475	1129476

Miscellaneous Accessories

Part Number	Description	Package Quantity	Assembly Quantity
1118549	Anti-Tipper -12" & 20" Rear Wheels	1	2
1118560-NLA	Anti-Tipper -22" & 24" Rear Wheels	1	2
1081106-NLA	Back Pack	1	1
1027644-NLA	Calf Strap 10-13" Wide (26")	1	1
1032243	Calf Strap 14-18" Wide (36")	1	1
1068210-NLA	Clamp with Hardware, 3/4" to 1"	1	1
1118544	Footrest Support Extension (2")	1	2
8881038231	Footrest Support Extension (3")	2	1
1032214	H-Strap (10-13" Wide) (24" Long)	1	1
1032215	H-Strap (14-18" Wide) (26" Long)	1	1
1026987 See Note(s) A	Impact Guard 8" Long	1	2
1159758	Protector, Frame, Front, Blue	1	2
1159756	Protector, Frame, Back, Blue	1	1
1159384-NLA	Protector, Frame, Front, Silver	1	2
1159383-NLA	Protector, Frame, Back, Silver	1	1
1159759	Protector, Frame, Front, Red	1	2
1159757	Protector, Frame, Back, Red	1	1
1163422	Protector, Frame, Front, Black	1	2
1163421	Protector, Frame, Back, Black	1	1
1102009	Positioning Strap Auto Syle (10-13" Wide)	1	1
1004310	Positioning Strap Auto Syle (14-17" Wide)	1	1
1034625	Positioning Strap Auto Style (18" Wide)	1	1
1102007	Positioning Strap Hook & Loop (10-13" Wide)	1	1
1034744	Positioning Strap Hook & Loop (14-17" Wide)	1	1

Miscellaneous Accessories

Part Number	Description	Package Quantity	Assembly Quantity
1034745	Positioning Strap Hook & Loop (18" Wide)	1	1
See Rigid Side Guard Category	Rigid Side Guards	1	See Rigid Side Guard Category
See Rigidizer Bar Category	Rigidizer Bar -Fold Down	1	See Rigidizer Bar Category
1109324	Seat Pouch 8-1/2" W x 7" H x 4" D	1	1
1032146-NLA	Spoke Guard -20" Wheels (All)	1	2
1032147-NLA	Spoke Guard - 22" Wheels (All)	1	2
1028442-NLA	Spoke Guard - 24" Composite Wheels	1	2
1028441-NLA	Spoke Guard - 24" Spoke Wheel	1	2
1028443-NLA	Spoke Guard 26" Wheels	1	2
See Adj. Stroller Handle Category	Stroller Handle -Adjustable Angle	1	See Adj. Stroller Handle Category
See Stroller Handle (1483) Category	Stroller Handle -1483	1	See Stroller Handle (1483) Category
1118578	Tilt Lock Out Assembly	1	1
No Service Parts Available Order Through Equipment	Lap Tray	1	1
1038599	Wheel Lock Extensions, 6" (1 Pair)	2	1

NOTE: A - For 70 deg. Tapered Footrest.

Invacare Corporation

www.invacare.com



Yes, you can.

One Invacare Way
Elyria, Oh USA
44036-2125
800-333-6900

Technical Support
800-832-4707
Customer Service
800-333-6900

Customer Service
800-333-6900

© 2022 Invacare Corporation. All rights reserved. Republication, duplication or modification in whole or in part is prohibited without prior written permission from Invacare. Trademarks are identified by TM and ©. All trademarks are owned by or licensed to Invacare Corporation or its subsidiaries unless otherwise noted. (Revised 07/11/22)

Form No. 03-029