

**Power Tilt Only (PTO-PR)
(Discontinued April 2005)**

**For
Pronto®M71™ and Pronto®M91™
Power Wheelchairs**



Yes, you can.

Parts Catalog Usage Guide

The information contained in this document is subject to change without notice. This catalog contains service parts for Form No. 03-024. If you have any questions regarding this catalog, please contact one of our Customer Service Representatives.

For Customer Service Support Call:

1-800-333-6900

For Faxed In Orders Call:

1-800-678-4682 or

1-440-366-0709

For Technical Service Call:

1-800-832-4707

Literature Can Be Found at:

www.invacare.com or

1-800-828-6272

SYMBOL DEFINITION

Throughout this catalog you will notice letters to draw your attention to specific footnotes which are located at the bottom of the page or below specified charts.

Examples:

A,B,C etc. = Special Comments

NOTE: = General information pertaining to that specific page

NLA = No Longer Available

HARDWARE MEASUREMENTS

The measurements for the hardware will be listed as follows:

Screws, Bolts Diameter X Thread Count/Pitch X Length

Washers Inside Diameter X Outside Diameter X Thickness

Spacers Inside Diameter X Outside Diameter X Length

For your convenience, we have supplied an area for you to list your Invacare Representatives.

Name	Phone Numbers

© 2022 Invacare Corporation. Elyria, Ohio. Invacare, Yes, you can., the Blue Medallion Design, SureStep, Pronto, and Tarsys are registered trademarks and MKIV, M71, and M91 are trademarks of Invacare Corporation.

TABLE of CONTENTS

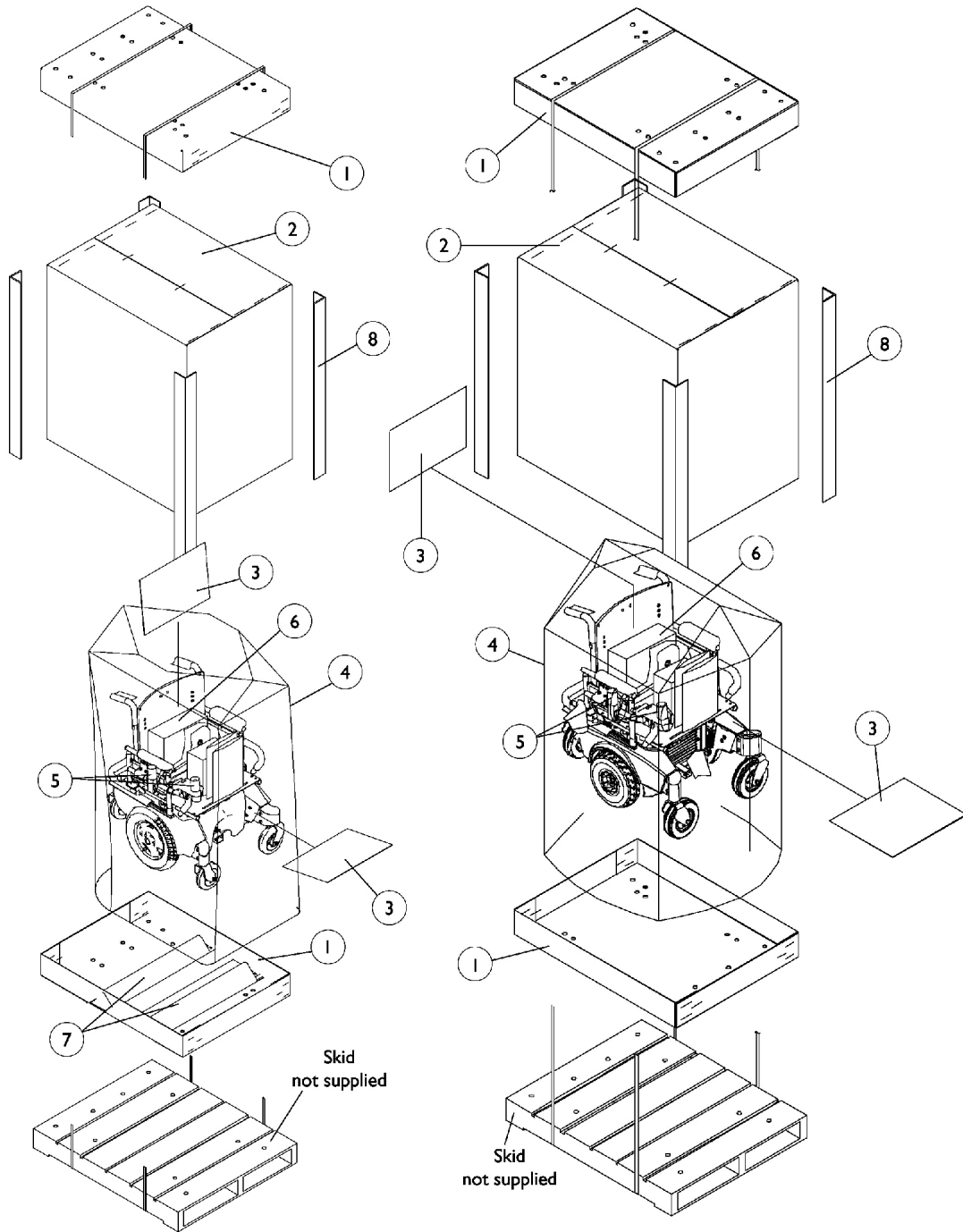
Description	Page Number
Accessories - Headrest Support Assembly - ABS & Metal Curved Backs	86
Accessories - Headrest Support Assembly - Back Cane Only Option	88
Accessories - Lateral Support Assembly	90
Accessories - Power Wheelchair Tool Kit	95
Accessories - Seat Positioning Straps	93
Actuator Motor & Mounting Hardware	18
Arms - Adjustable Height	45
Arms - Fixed Height	42
Backs - ABS Curved Assembly	26
Backs - ABS Curved Mounting Hardware	37
Backs - Metal Curved Assembly	32
Backs - Metal Curved Mounting Hardware	39
Canes - Back & Attaching Hardware	24
Electronics - 4-Way Switch and Mounting Hardware	79
Electronics - MK5 SAC and Mounting Hardware	81
Electronics - MK5 TAC and Mounting Hardware	83
Electronics - Quad Link Assembly (After 4/06/06)	75
Electronics - Quad Link Assembly (Before 4/07/06)	71
Electronics - Tilt Recline Single Switch (TRSS)	77
Frame - Rear & Mounting Hardware	12
Frame - Seat ASBA & Hardware	20

TABLE of CONTENTS

Description	Page Number
Frame - Seat Support & Mounting Hardware	16
Front Riggings - Adjustable Angle Footplates - AT5543 - PHW93	62
Front Riggings - Adjustable Heel Loops	69
Front Riggings - Footrest and Legrest Accessories	66
Front Riggings - Footrest Supports, (Hemi) - PHW93	51
Front Riggings - Front Rigging Hanger Assembly	50
Front Riggings - Legrest Supports - Articulating - Hemi - PHAL4A	56
Front Riggings - Legrest Supports, (Hemi) - PH904A	53
Front Riggings - Pivot/Slide Tube and Composite Footplate - PHW93	61
Front Riggings - Pivot/Slide Tube and Footplates - PH904A and PHAL4A	64
Front Riggings - Pivot/Slide Tube and Footplates - PHW93	59
Front Riggings - Reference Chart	47
Packaging & Literature	4
PTO Interface Frame & Prop Rod Assembly	10
Seat - ASBA Mounting Hardware	22
Seat Height Adjustment Slide Tubes - Pronto M71 with PTO	6
Seat Height Adjustment Slide Tubes - Pronto M91 with PTO	8
Seat Pan & Mounting Hardware	40
Tilt Link & Mounting Hardware	14

Packaging and Literature

When adjusting or replacing parts, please refer to your Owner's Manual for assistance.



PTO w/ Pronto M91 Packaging

PTO w/ Pronto M71 Packaging

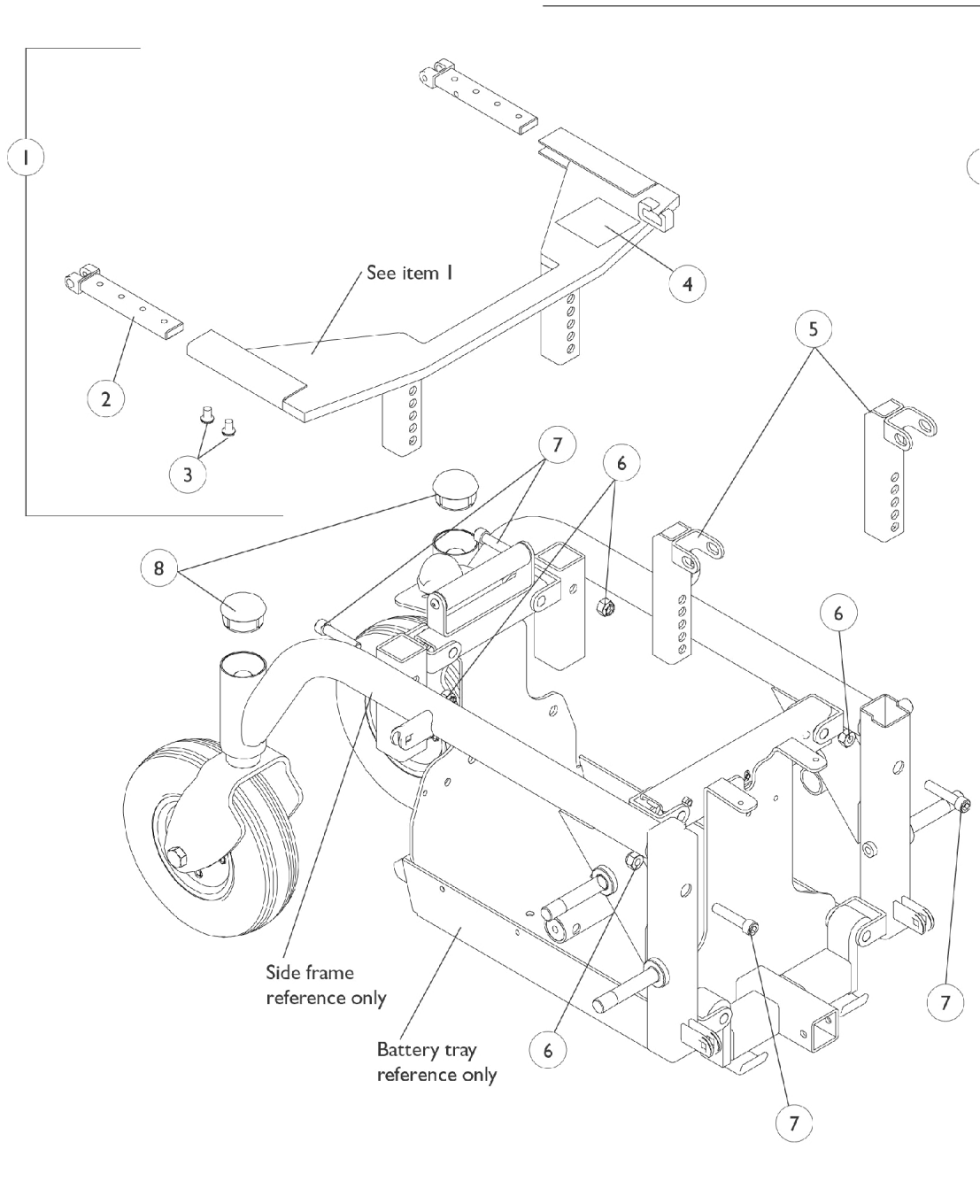
Packaging and Literature

When adjusting or replacing parts, please refer to your Owner's Manual for assistance.

Item Number	Note	Part Number	Description	Quantity Per	
				Package	Assembly
1		1030362	Carton, Tray	1	2
2		1031682	Carton, Cover	1	1
3		40131X161	Insert, Plain Pad	1	2
4		1015592	Bag, Poly (72" L x 35" W x 19" D)	1	1
5		1043198-NLA	NLA - Tube, Paper	1	2
6		40131X011-NLA	NLA - Carton, Front Riggings	1	1
7		1116612-NLA	NLA - Chock, Wheel	1	2
8		1129589-NLA	Carton, Corner Reinforcement	1	4
	A,C	1118362-NLA	NLA - Owner's Manual, PTO with Pronto M71 or Pronto M91 Base	1	1
	B	1164348	Mailer, Return, Mercury Free	1	1

NOTE: A - Not Shown
 B - For Massachusetts providers only
 C - Item is no longer available from the Invacare Service Parts Department. Refer to the Invacare Website under "Product Literature Search". Enter the part number in the "Keywords" field and download a free PDF version copy.

Seat Height Adjustment Slide Tubes - Pronto M71 with PTO

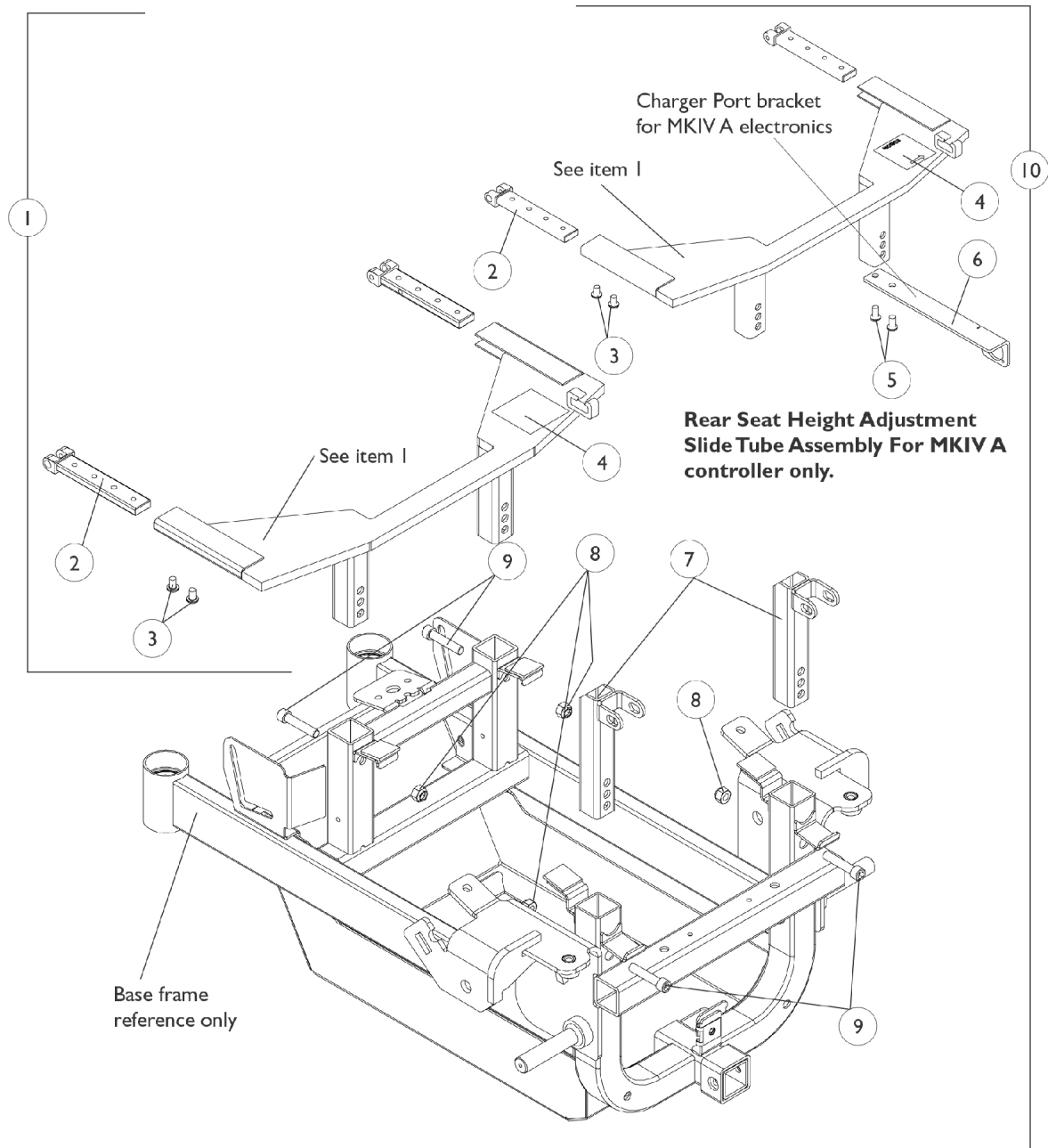


Seat Height Adjustment Slide Tubes - Pronto M71 with PTO

Item Number	Note	Part Number	Description	Quantity Per	
				Package	Assembly
1	A	1118688	Slide Tube Assembly, Seat Height Adjustment, Rear, Black - Pronto M71	1	1
2		1118675-NLA	NLA - Bracket, Telescoping PTO, Black - Rear	1	2
3		1088932	Screw, Socket Button Head (1/4-20 x 3/8")	1	4
4		1118369-NLA	NLA - Decal, PTO Prop Rod	1	1
5		1118674-NLA	NLA - Tube, Slide, Seat Height Adjustment, Front - Pronto M71	1	2
6		1026158	Locknut (5/16-18)	1	4
7		1021344	Screw, Socket Head (5/16-18 x 1-1/2")	1	4
8		1105026	Plug Button, Head Tube, Black	1	2
9	B	1118691-NLA	NLA - Seat Height Adjustment Slide Tubes w/ Hardware, Pronto M71	1	1

NOTE: A - Includes items 2-4
B - Includes items 1-8

Seat Height Adjustment Slide Tubes - Pronto M91 with PTO

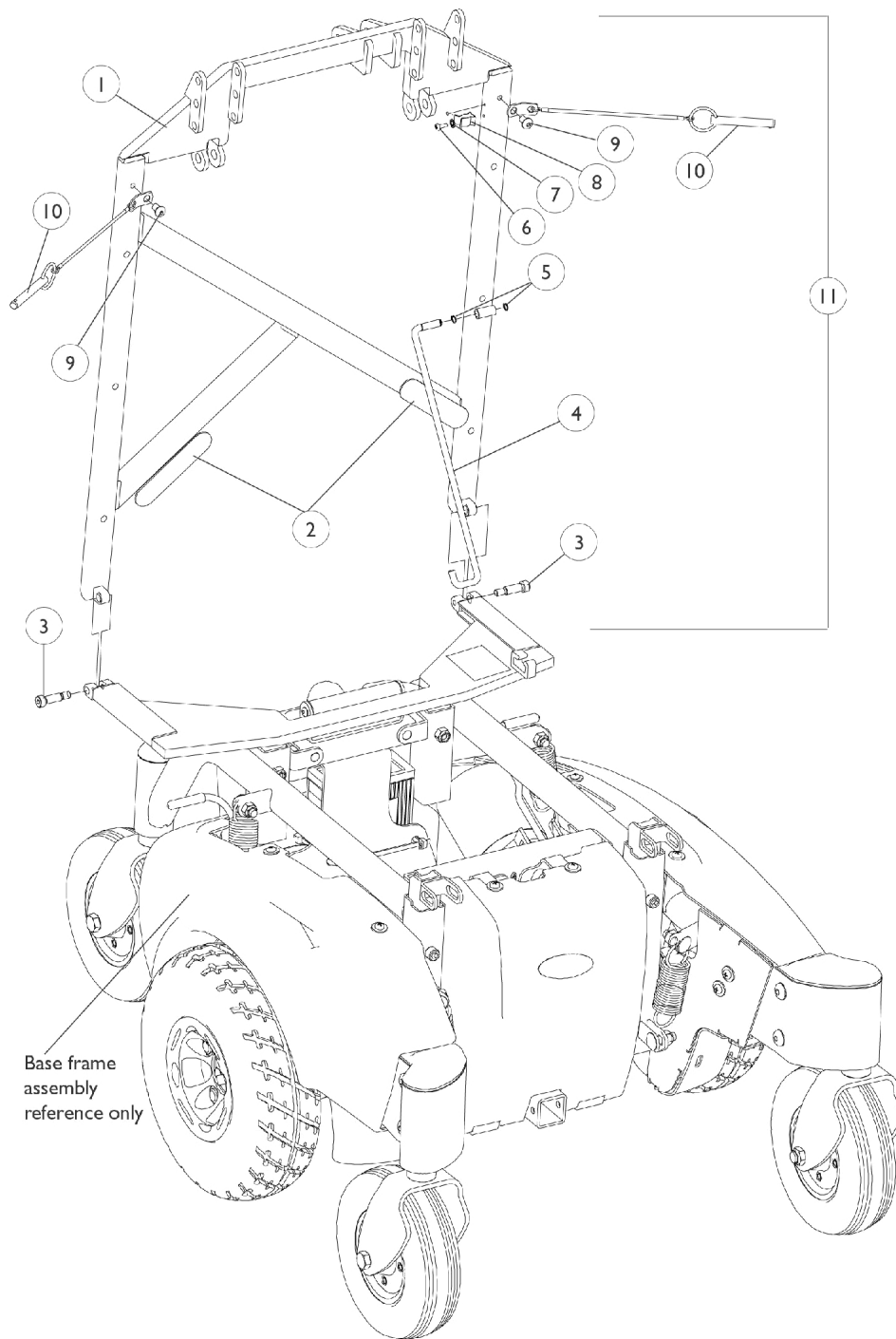


Seat Height Adjustment Slide Tubes - Pronto M91 with PTO

Item Number	Note	Part Number	Description	Quantity Per	
				Package	Assembly
1	A	1118689-NLA	NLA - Slide Tube Assembly, Seat Height Adjustment, Rear, Black - Pronto M91	1	1
1	B	1119266-NLA	NLA - Slide Tube Assembly, Seat Height Adjustment, Rear, Black - Pronto M91 w/ MKIV A Controller	1	1
2	C	1118675-NLA	NLA - Bracket, Telescoping PTO, Black - Rear	1	2
3		1088932	Screw, Socket Button Head (1/4-20 x 3/8")	1	4
4		1118369-NLA	NLA - Decal, PTO Prop Rod	1	1
5		1006773-NLA	NLA - Screw, Socket Button Head (1/4-20 x 1/2")	1	2
6		1119265-NLA	NLA - Bracket, Charger Connector, Black	1	1
7		1118683	Tube, Slide, Seat Height Adjustment, Front - Pronto M91	1	2
8		1026158	Locknut (5/16-18)	1	4
9		1021344	Screw, Socket Head (5/16-18 x 1-1/2")	1	4
10	D	1118693-NLA	NLA - Seat Height Adjustment Slide Tubes w/ Hardware, Pronto M91	1	1
10	E	1119267-NLA	NLA - Seat Height Adjustment Slide Tubes w/ Hardware, For Pronto M91 w/ MKIV A Controller	1	1

NOTE: A - Includes items 2-4
 B - Includes items 2-6
 C - When a MKIV A controller is used, a quantity of 2 screws are used for item 3
 D - Includes items 2-4 and 7-9
 E - Includes items 2-9

PTO Interface Frame and Prop Rod Assembly



Base frame
assembly
reference only

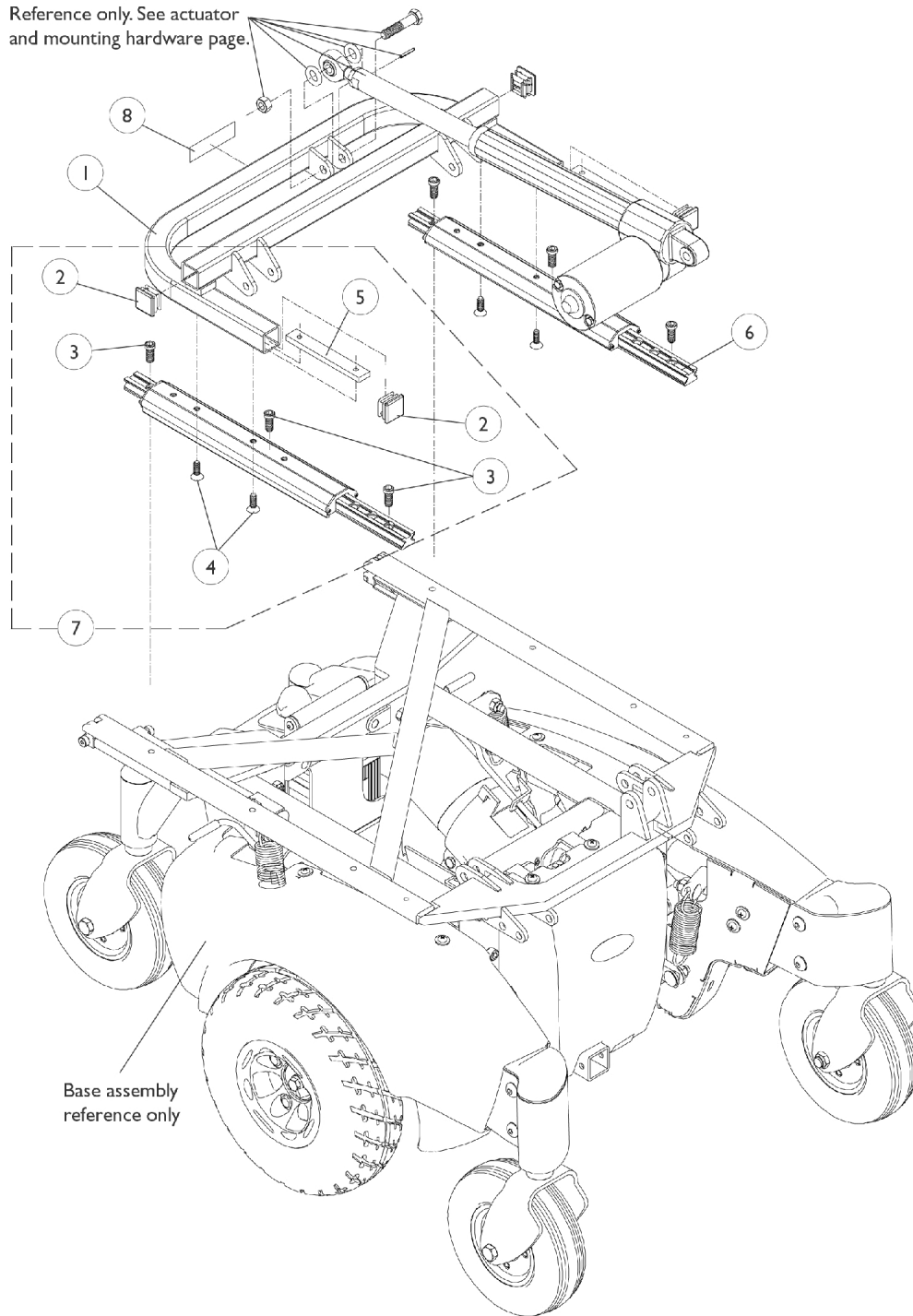
PTO Interface Frame and Prop Rod Assembly

Item Number	Note	Part Number	Description	Quantity Per	
				Package	Assembly
1		1119256	Frame, PTO Interface w/ Non-Skid Pads (Black)	1	1
2		1072003-NLA	NLA - Pad, Non-Skid Adhesive Back	1	2
3		1118672-NLA	NLA - Screw, Shoulder Hex Socket Head (5/16" x 3/4", 1/4-20)	1	2
4		1119250-NLA	NLA - Rod, Prop	1	1
5		1119246-NLA	NLA - Ring, Snap (1/4")	1	2
6		1119255-NLA	NLA - Screw, Phillips Pan Head Tap (6-32 x 3/8")	1	1
7		1034153-NLA	NLA - Lockwasher (1/8" x 3/4" x 1/16")	1	1
8		1119249-NLA	NLA - Clip, Adjustable Finger Grip (#28)	1	1
9		1088932	Screw, Socket Button Head (1/4-20 x 3/8")	1	2
10		1118694-NLA	NLA - Pin, Quick Release w/ Lanyard (5/16")	1	2
11	A	1118647-NLA	NLA - PTO Interface Frame w/ Prop Rod Assembly (Black)	1	1

NOTE: A - Includes items 1-10

Rear Frame and Mounting Hardware

Reference only. See actuator and mounting hardware page.

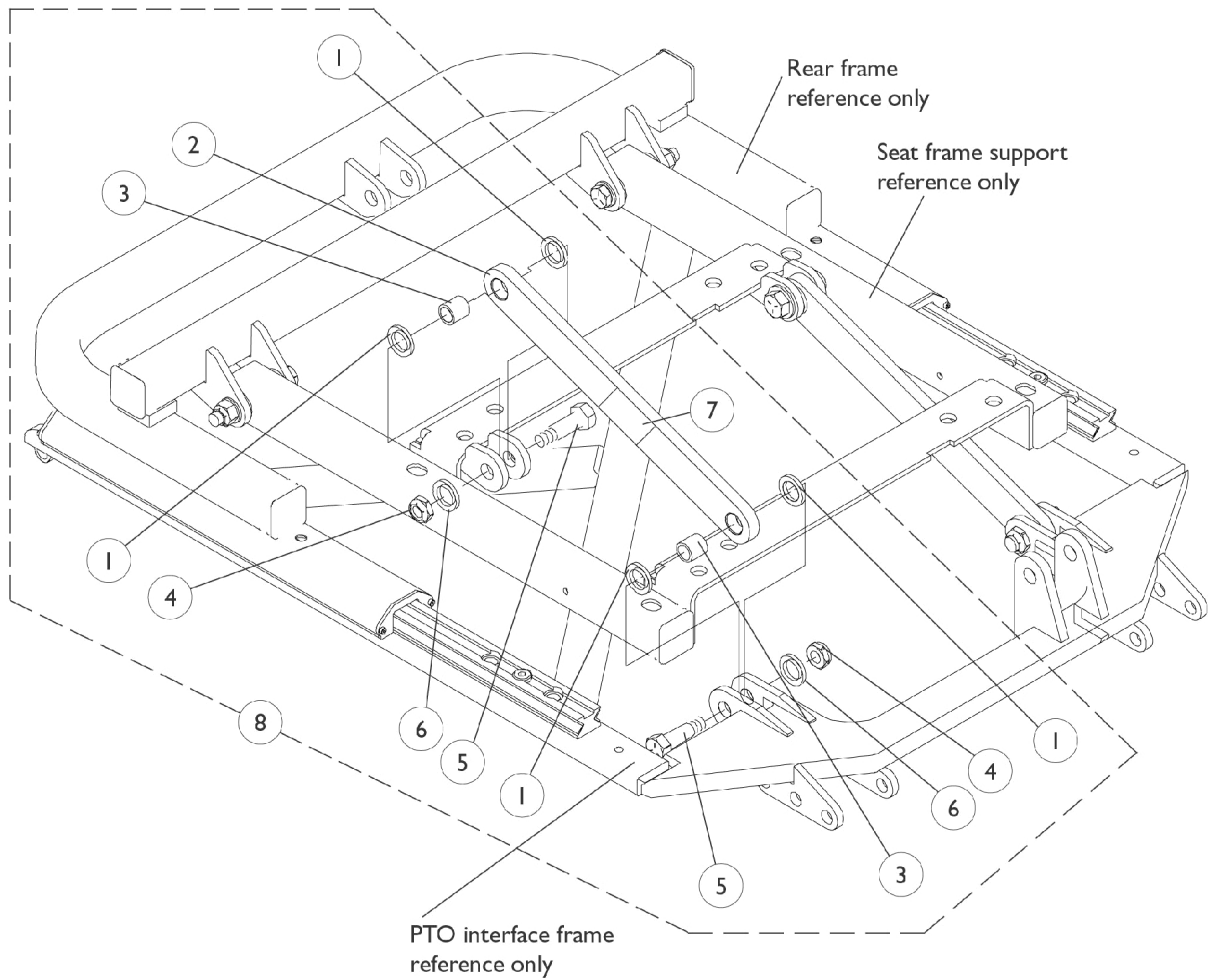


Rear Frame and Mounting Hardware

Item Number	Note	Part Number	Description	Quantity Per	
				Package	Assembly
1		1087632-NLA	NLA - Frame Assembly w/o Decal, Black - Rear	1	1
2		1071237	Plug Button, Square, Black (1")	1	4
3		1117326-NLA	NLA - Screw, Socket Head w/ Patch (5/16-18 x 7/8")	1	6
4		1091869-NLA	NLA - Screw, Socket Flat Head w/ Patch (1/4-20 x 3/4")	1	4
5		1087652-NLA	NLA - Bar, Clamp, Color	1	2
6		1087732-NLA	NLA - Guide, Linear	1	2
7	A	1106539	Hardware, Rear Frame Mounting	1	1
8		1087602-NLA	NLA - Decal, Invacare Power Tilt Only	1	1

NOTE: A - Less Linear Guidance (Includes items 2-5)

Tilt Link and Mounting Hardware

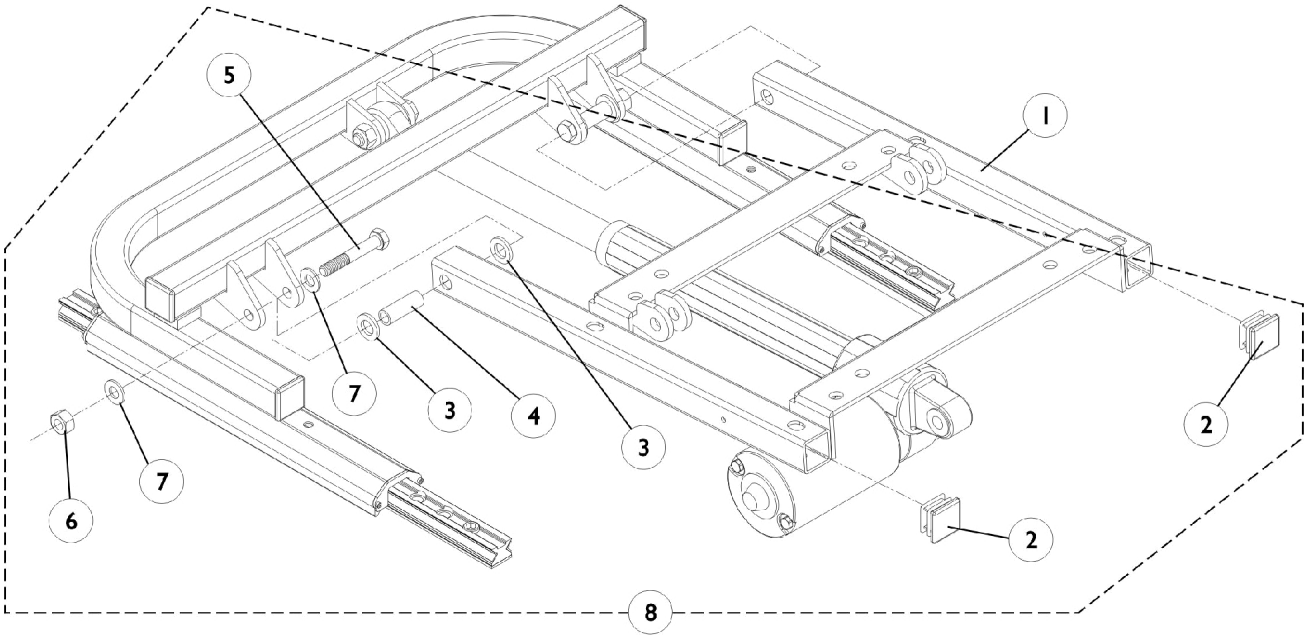


Tilt Link and Mounting Hardware

Item Number	Note	Part Number	Description	Quantity Per	
				Package	Assembly
1		0139900	Washer, Nylon (1/2 x 3/4 x 3/32")	1	8
2		1119260-NLA	NLA - Link with Decal Assembly, Tilt	1	2
3		1087636-NLA	NLA - Bushing, Bronze (3/8 x 1/2 x 1/2")	1	4
4		1028769	Locknut (5/16-18)	1	4
5		1107708-NLA	NLA - Screw, Shoulder Hex Socket Head (3/8 x 3/4", 5/16-18)	1	4
6		20105X000-NLA	NLA - Washer, Flat (1/4 x 5/8 x 1/16")	1	4
7		1079203	Decal, Warning Pinch Point	1	2
8	A	1106541-NLA	NLA - Hardware, Tilt Link Mounting	1	1

NOTE: A - Includes items 1-7

Seat Frame Support and Mounting Hardware

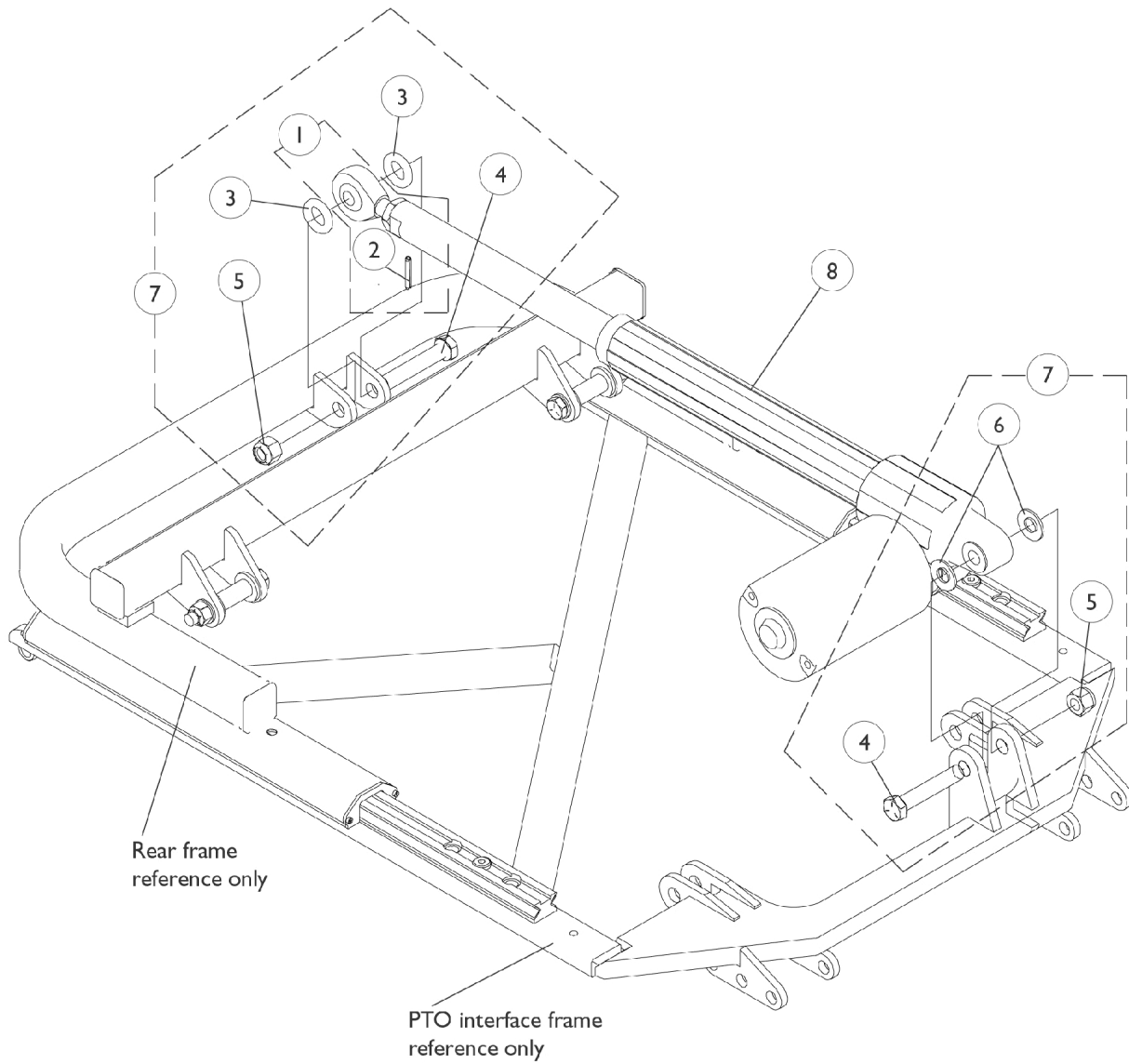


Seat Frame Support and Mounting Hardware

Item Number	Note	Part Number	Description	Quantity Per	
				Package	Assembly
1		1087626-NLA	NLA - Support, Seat Frame	1	1
2		1071237	Plug Button, Square, Black (1")	1	2
3		0055800-NLA	NLA - Washer, Nylon (7/16 x 3/4 x 3/32")	1	4
4		0060300-NLA	NLA - Bushing, Bronze (5/16 x 7/16 x 1-1/4")	1	2
5		1070412-NLA	NLA - Screw, Hex Head (5/16-18 x 2-1/4")	1	2
6		1026158	Locknut (5/16-18)	1	2
7		1025704	Washer, Flat (5/16 x 5/8 x 1/16")	1	4
8	A	1106540-NLA	NLA - Hardware, Seat Frame Support Mounting	1	1

NOTE: A - Includes items 2-7

Actuator Motor and Mounting Hardware

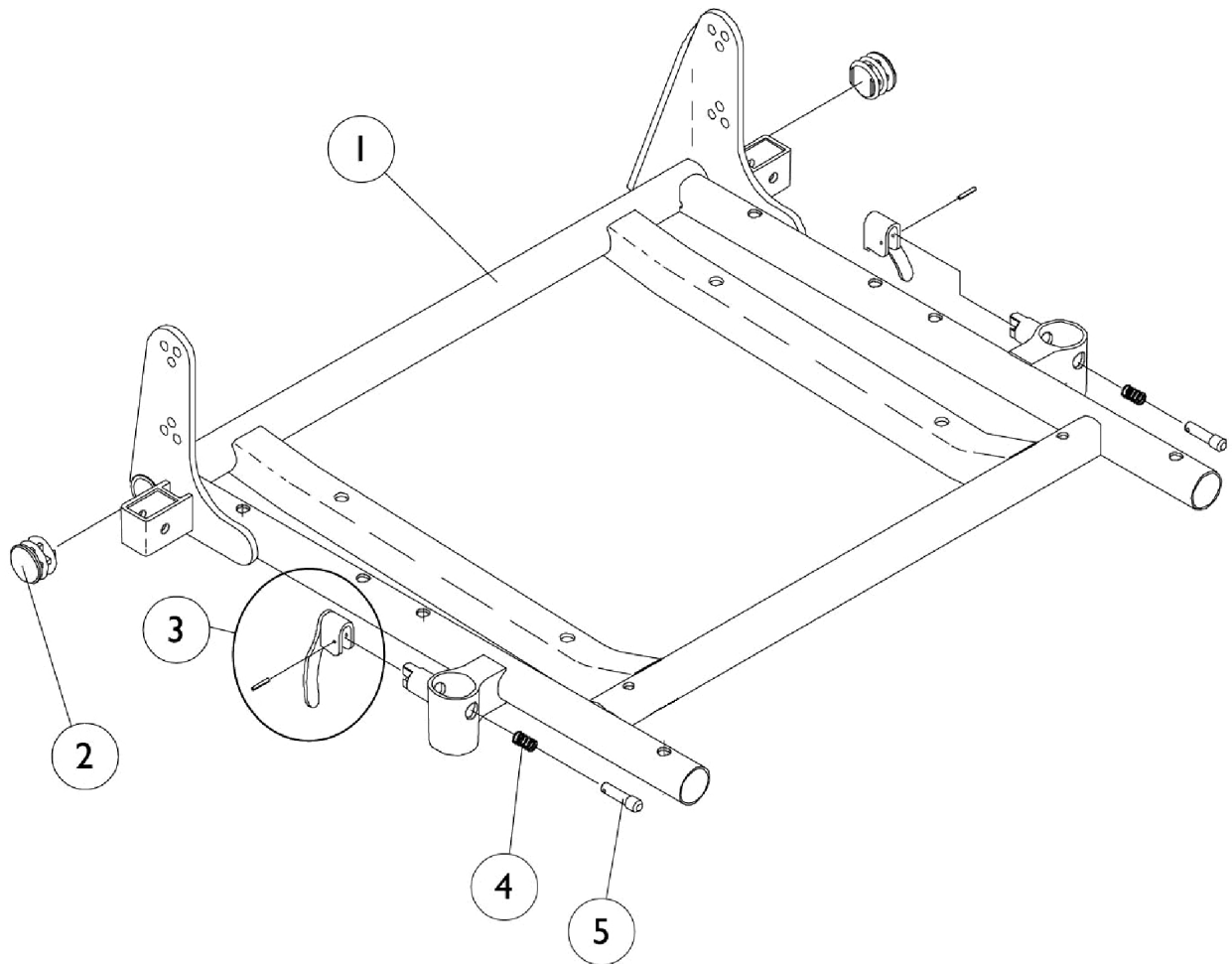


Actuator Motor and Mounting Hardware

Item Number	Note	Part Number	Description	Quantity Per	
				Package	Assembly
1		0313900-NLA	NLA - Rod, End with Locknut and Roll Pin	1	1
2		1028848-NLA	NLA - Pin, Roll (1/8" x 7/8")	1	1
3		0056000-NLA	NLA - O-Ring (1/2 x 7/8 x 3/16")	1	2
4		0054606-NLA	NLA - Screw, Hex Head (3/8-16 x 2")	1	2
5		0054106-NLA	NLA - Locknut, High Profile (3/8-16)	1	2
6		0053900-NLA	NLA - Washer, Nylon (3/8 x 13/16 x 1/16")	1	2
7	A	1119247-NLA	NLA - Actuator Motor Mounting Hardware	1	1
8	B	1154068	NLA - Kit, Actuator Motor, 6-1/2" Stroke	1	1
			Actuator Motor Assembly (6-1/2" Stroke)	1	1
			NLA - Pin, Roll (1/8" x 7/8")	1	1
			Instruction Sheet, PTO Actuator Installation	1	1

NOTE: A - Includes items 3-6
 B - Includes item 1, Actuator Motor & Instruction Sheet

ASBA Seat Frame and Hardware



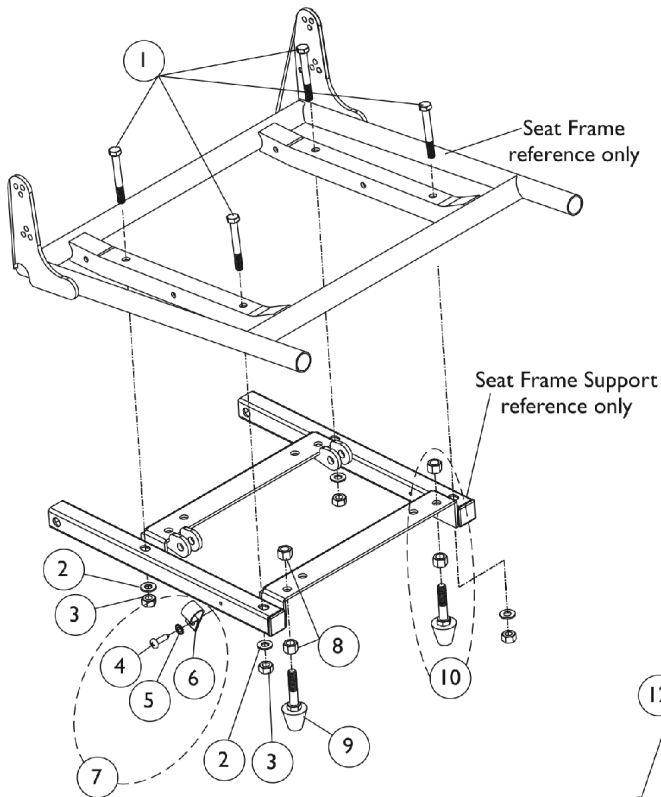
ASBA Seat Frame and Hardware

Item Number	Note	Part Number	Description	Quantity Per	
				Package	Assembly
1		See Chart	#1 Seat Frame with Hardware	1	1
2		1029501	Plug Button, Black (1")	1	2
3		1090768	Kit, Lock Handle w/Rivets (Pair)	2	1
4		47471X074	Spring, Arm Lock	1	2
5		1028594	Pin, Arm Lock, Black	1	2

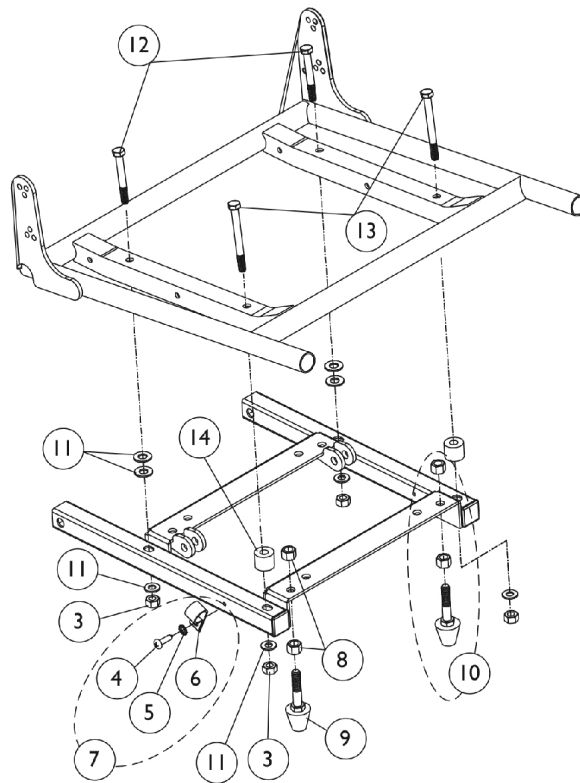
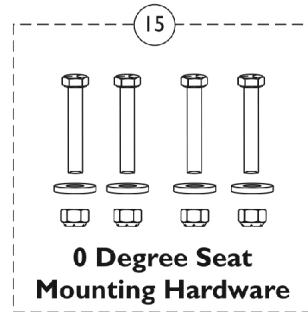
#1 Seat Frame with Hardware

Seat Width	16"-17" Deep	18"-19" Deep	20"-21" Deep	22" Deep
16" Wide	1070672-NLA	1070681-NLA	1070690-NLA	1070699-NLA
17" Wide	1070673-NLA	1070682-NLA	1070691-NLA	1070700-NLA
18" Wide	1070674-NLA	1070683-NLA	1070692-NLA	1070701-NLA
19" Wide	1070675-NLA	1070684-NLA	1070693-NLA	1070702-NLA
20" Wide	1070676-NLA	1070685-NLA	1070694-NLA	1070703-NLA
21" Wide	1070677-NLA	1070686-NLA	1070695-NLA	1070704-NLA
22" Wide	1070678-NLA	1070687-NLA	1070696-NLA	1070705-NLA

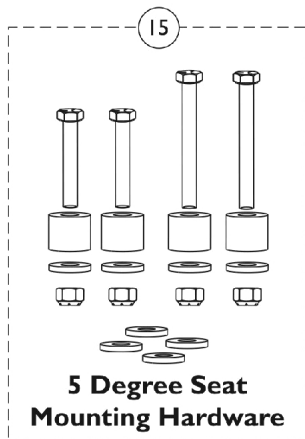
ASBA Seat Mounting Hardware



0 Degree Seat Mounting Hardware



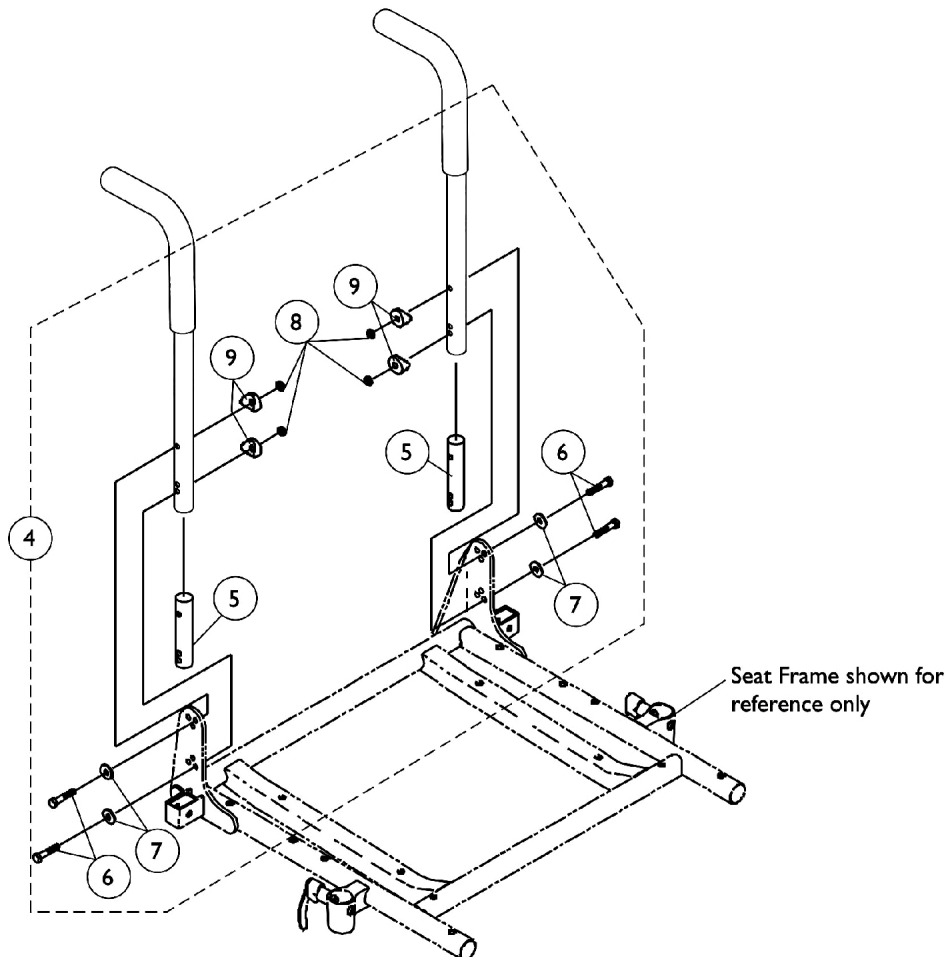
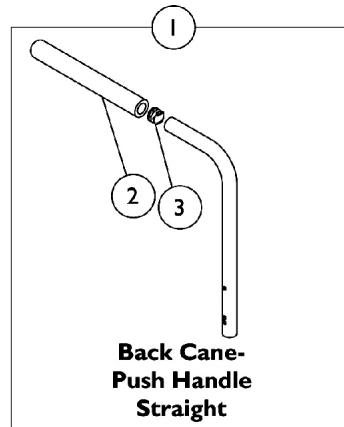
5 Degree Seat Mounting Hardware



ASBA Seat Mounting Hardware

Item Number	Note	Part Number	Description	Quantity Per	
				Package	Assembly
1		1042486	Screw, Hex Head (5/16-18 x 2-3/4")	1	4
2		1025704	Washer, Flat (5/16 x 5/8 x 1/16")	1	4
3		1026158	Locknut (5/16-18)	1	4
7	A,E	1106544-NLA	NLA - Kit, Switch Clip with Mounting Hardware	1	1
4			Screw, Phillips Pan Head Tap (#10-16 x 3/4")	1	1
5			Lockwasher, External Tooth (#10)	1	1
6			NLA - Bracket, Cable/Wire Mounting, Black	1	1
8		1028486	Locknut, Low Profile (3/8-16)	1	4
9		1117353-NLA	NLA - Bumper Assembly	1	2
10	B	1111007-NLA	NLA - Bumper with Mounting Hardware (Pair)	2	1
11		1025704	Washer, Flat (5/16 x 5/8 x 1/16")	1	8
12		1042486	Screw, Hex Head (5/16-18 x 2-3/4")	1	2
13		1070397-NLA	NLA - Screw, Hex Head (5/16-18 x 3-1/4")	1	2
14		1087640-NLA	NLA - Spacer (3/8 x 7/8 x 11/16")	1	2
15	C	1107307-NLA	NLA - Kit, 0 Degree 16-22" Wide ASBA Seat Mounting Hardware	1	1
1			Screw, Hex Head (5/16-18 x 2-3/4")	1	4
2			Washer, Flat (5/16 x 5/8 x 1/16")	1	4
3			Locknut (5/16-18)	1	4
15	D	1087784-NLA	NLA - Kit, 5 Degree 16-22" Wide ASBA Seat Mounting Hardware	1	1
3			Locknut (5/16-18)	1	4
11			Washer, Flat (5/16 x 5/8 x 1/16")	1	8
12			Screw, Hex Head (5/16-18 x 2-3/4")	1	2
13			NLA - Screw, Hex Head (5/16-18 x 3-1/4")	1	2
14			NLA - Spacer (3/8 x 7/8 x 11/16")	1	2
NOTE: A - Includes items 4-6 B - Includes items 8 and 9 C - Includes items 1-3 D - Includes items 3 and 11-14 E - When a MK5 TAC is used, item quantity per assembly is 2					

Back Canes and Attaching Hardware



Back Canes and Attaching Hardware

Item Number	Note	Part Number	Description	Quantity Per	
				Package	Assembly
1		See Chart	#1 Back Cane Assemblies	1	2
2		1135506	Package, Foam Hand Grip (9" L)	10	1
3		1130582	Package, Plug Button, Black (7/8")	10	1
4	A	1106554-NLA	NLA - Kit, Back Cane Attaching Hardware	2	1
5			Insert, Non-Threaded Back Cane (For Back Heights 20" and Lower)	1	2
6			Screw, Hex Head (1/4-20 x 1-5/8")	1	4
7			Washer (1/4 x 23/32 x 1/16")	1	4
8			Locknut (1/4-20)	1	4
9			Spacer, Coved (1/4 x 11/16 x 1/2")	1	4
4	B	1106555-NLA	NLA - Kit, Back Cane Attaching Hardware	2	1
5			NLA - Insert, Non-Threaded Back Cane (For Back Heights 21" and Higher)	1	2
6			Screw, Hex Head (1/4-20 x 1-5/8")	1	4
7			Washer (1/4 x 23/32 x 1/16")	1	4
8			Locknut (1/4-20)	1	4
9			Spacer, Coved (1/4 x 11/16 x 1/2")	1	4
NOTE: A - Includes items 5-9 and used for 16-20" high back canes B - Includes items 5-9 and used for 21-24" high back canes					

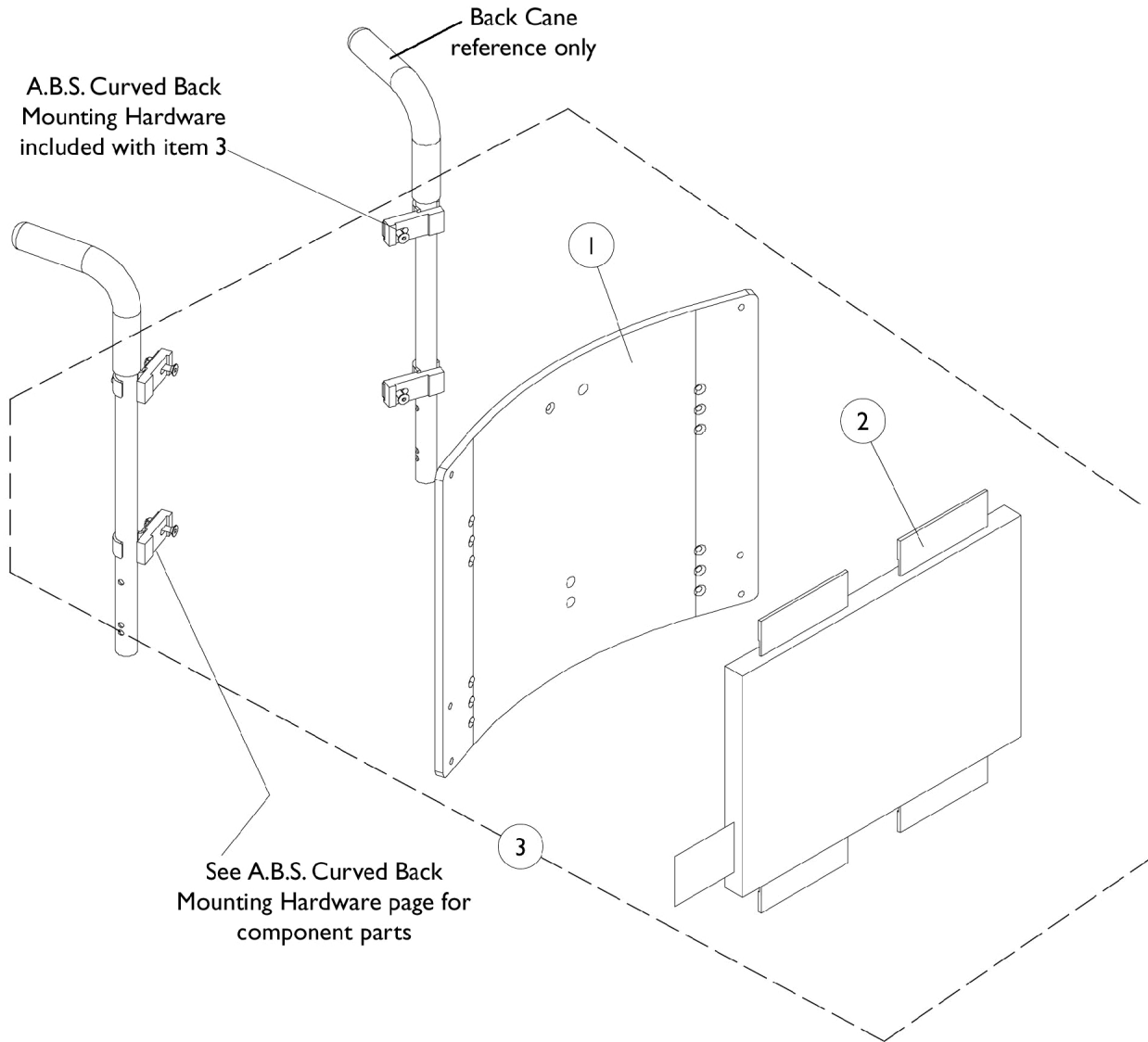
#1 Back Cane Assemblies

Back Height	Part Number
16"	1048558
17"	1048559
18"	1048560
19"	1048561
20"-24"	1048562
NOTE: Back Cane Assemblies include Foam Grips and Plug Buttons where shown	

ABS Curved Back Assembly

NOTE: ABS curved back mounts to back canes without a 10 degree bend.

NOTE: As of 8/15/08 the Curved Back material changed from ABS Plastic to Metal as inventory runs out. You must ask the customer if they have an ABS Plastic or the Metal Curved Back model when replacing components. All service replacement Back Assemblies with Hardware shipped will be metal. New Headrest Mounting Hardware is required when replacing an ABS Curved Back with a Metal Curved Back.



ABS Curved Back Assembly

NOTE: ABS curved back mounts to back canes without a 10 degree bend.

NOTE: As of 8/15/08 the Curved Back material changed from ABS Plastic to Metal as inventory runs out. You must ask the customer if they have an ABS Plastic or the Metal Curved Back model when replacing components. All service replacement Back Assemblies with Hardware shipped will be metal. New Headrest Mounting Hardware is required when replacing an ABS Curved Back with a Metal Curved Back.

Item Number	Note	Part Number	Description	Quantity Per	
				Package	Assembly
1		See Chart	#1 Back Pan 16"-18"	1	1
1		See Chart	#1 Back Pan 19"-22"	1	1
2		See Chart	#2 Back Cushion Assembly 16"-18"	1	1
2		See Chart	#2 Back Cushion Assembly 19"-22"	1	1
3		See Chart	#3 Back Assembly with Hardware 16"-18"	1	1
3		See Chart	#3 Back Assembly with Hardware 19"-22"	1	1
	A	1125723	Kit, Hook Fastener w/ Adhesive Back	1	1
NOTE: A - Not Shown. Hook Fastener Adhesive Kit is used to attach the Back Cover to the Back Pan and must be ordered when a new Back Pan or Back Assembly is requested.					

ABS Curved Back Assembly

NOTE: ABS curved back mounts to back canes without a 10 degree bend.

NOTE: As of 8/15/08 the Curved Back material changed from ABS Plastic to Metal as inventory runs out. You must ask the customer if they have an ABS Plastic or the Metal Curved Back model when replacing components. All service replacement Back Assemblies with Hardware shipped will be metal. New Headrest Mounting Hardware is required when replacing an ABS Curved Back with a Metal Curved Back.

#1 Back Pan - 16" Wide to 18" Wide

Overall Back Height	Material Back Height	16" Wide	17" Wide	18" Wide
16"	12"	1086021-NLA See Note(s) A	1086022-NLA See Note(s) A	1086023-NLA See Note(s) A
17"	13"	1086028-NLA See Note(s) A	1086029-NLA See Note(s) A	1086030-NLA See Note(s) A
18"	14"	1086035-NLA See Note(s) A	1086036-NLA See Note(s) A	1086037-NLA See Note(s) A
19"	15"	1086042-NLA See Note(s) A	1086043-NLA See Note(s) A	1086044-NLA See Note(s) A
20"	16"	1086049-NLA See Note(s) A	1086050-NLA See Note(s) A	1086051-NLA See Note(s) A
21"	17"	1086056-NLA See Note(s) A	1086057-NLA See Note(s) A	1086058-NLA See Note(s) A
22"	18"	1086063-NLA See Note(s) A	1086064-NLA See Note(s) A	1086065-NLA See Note(s) A
23"	19"	1086070-NLA See Note(s) A	1086071-NLA See Note(s) A	1086072-NLA See Note(s) A
24"	20"	1086077-NLA See Note(s) A	1086078-NLA See Note(s) A	1086079-NLA See Note(s) A

NOTE: A - Part Number is No Longer Available. See Category page titled "Backs - Metal Curved Assembly" and use the item "Back Assembly w/ Hardware" to find replacement part numbers. Match the wheelchair width by the material back height when ordering.

NOTE: Hook Fastener Adhesive Kit must be ordered when a Back Pan or Back Assembly is requested. This will allow the Loop Fastener Adhesive on the Back Cover to attach properly.

ABS Curved Back Assembly

NOTE: ABS curved back mounts to back canes without a 10 degree bend.

NOTE: As of 8/15/08 the Curved Back material changed from ABS Plastic to Metal as inventory runs out. You must ask the customer if they have an ABS Plastic or the Metal Curved Back model when replacing components. All service replacement Back Assemblies with Hardware shipped will be metal. New Headrest Mounting Hardware is required when replacing an ABS Curved Back with a Metal Curved Back.

#1 Back Pan - 19" Wide to 22" Wide

Overall Back Height	Material Back Height	19" Wide	20" Wide	21" Wide	22" Wide
16"	12"	1086024-NLA <small>See Note(s) A</small>	1086025-NLA <small>See Note(s) A</small>	1086026-NLA <small>See Note(s) A</small>	1086027-NLA <small>See Note(s) A</small>
17"	13"	1086031-NLA <small>See Note(s) A</small>	1086032-NLA <small>See Note(s) A</small>	1086033-NLA <small>See Note(s) A</small>	1086034-NLA <small>See Note(s) A</small>
18"	14"	1086038-NLA <small>See Note(s) A</small>	1086039-NLA <small>See Note(s) A</small>	1086040-NLA <small>See Note(s) A</small>	1086041-NLA <small>See Note(s) A</small>
19"	15"	1086045-NLA <small>See Note(s) A</small>	1086046-NLA <small>See Note(s) A</small>	1086047-NLA <small>See Note(s) A</small>	1086048-NLA <small>See Note(s) A</small>
20"	16"	1086052-NLA <small>See Note(s) A</small>	1086053-NLA <small>See Note(s) A</small>	1086054-NLA <small>See Note(s) A</small>	1086055-NLA <small>See Note(s) A</small>
21"	17"	1086059-NLA <small>See Note(s) A</small>	1086060-NLA <small>See Note(s) A</small>	1086061-NLA <small>See Note(s) A</small>	1086062-NLA <small>See Note(s) A</small>
22"	18"	1086066-NLA <small>See Note(s) A</small>	1086067-NLA <small>See Note(s) A</small>	1086068-NLA <small>See Note(s) A</small>	1086069-NLA <small>See Note(s) A</small>
23"	19"	1086073-NLA <small>See Note(s) A</small>	1086074-NLA <small>See Note(s) A</small>	1086075-NLA <small>See Note(s) A</small>	1086076-NLA <small>See Note(s) A</small>
24"	20"	1086080-NLA <small>See Note(s) A</small>	1086081-NLA <small>See Note(s) A</small>	1086082-NLA <small>See Note(s) A</small>	1086083-NLA <small>See Note(s) A</small>

NOTE: A - Part Number is No Longer Available. See Category page titled "Backs - Metal Curved Assembly" and use the item "Back Assembly w/ Hardware" to find replacement part numbers. Match the wheelchair width by the material back height when ordering.

NOTE: Hook Fastener Adhesive Kit must be ordered when a Back Pan or Back Assembly is requested. This will allow the Loop Fastener Adhesive on the Back Cover to attach properly.

ABS Curved Back Assembly

NOTE: ABS curved back mounts to back canes without a 10 degree bend.

NOTE: As of 8/15/08 the Curved Back material changed from ABS Plastic to Metal as inventory runs out. You must ask the customer if they have an ABS Plastic or the Metal Curved Back model when replacing components. All service replacement Back Assemblies with Hardware shipped will be metal. New Headrest Mounting Hardware is required when replacing an ABS Curved Back with a Metal Curved Back.

#2 Back Cushion Assembly - 16" Wide to 18" Wide

Overall Back Height	Material Back Height	16" Wide	17" Wide	18" Wide
16"	12"	1097375-NLA	1097376-NLA	1097377
17"	13"	1097382-NLA	1097383-NLA	1097384-NLA
18"	14"	1097389	1097390-NLA	1097391
19"	15"	1097396	1097397	1097398
20"	16"	1097403	1097404	1097405
21"	17"	1097410	1097411	1097412
22"	18"	1097417	1097418	1097419
23"	19"	1097424	1097425	1097426
24"	20"	1097431	1097432	1097433

NOTE: Back cover and foam are sold as a back cushion assembly only.

#2 Back Cushion Assembly - 19" Wide to 22" Wide

Overall Back Height	Material Back Height	19" Wide	20" Wide	21" Wide	22" Wide
16"	12"	1097378-NLA	1097379-NLA	1097380-NLA	1097381-NLA
17"	13"	1097385-NLA	1097386-NLA	1097387-NLA	1097388-NLA
18"	14"	1097392	1097393	1097394-NLA	1097395-NLA
19"	15"	1097399	1097400	1097401	1097402
20"	16"	1097406	1097407	1097408	1097409
21"	17"	1097413	1097414	1097415	1097416
22"	18"	1097420	1097421	1097422	1097423
23"	19"	1097427	1097428	1097429	1097430
24"	20"	1097434	1097435	1097436	1097437

NOTE: Back cover and foam are sold as a back cushion assembly only.

ABS Curved Back Assembly

NOTE: ABS curved back mounts to back canes without a 10 degree bend.

NOTE: As of 8/15/08 the Curved Back material changed from ABS Plastic to Metal as inventory runs out. You must ask the customer if they have an ABS Plastic or the Metal Curved Back model when replacing components. All service replacement Back Assemblies with Hardware shipped will be metal. New Headrest Mounting Hardware is required when replacing an ABS Curved Back with a Metal Curved Back.

#3 Back Assembly with Hardware - 16" Wide to 18" Wide

Overall Back Height	Material Back Height ABS Plastic Curved	Material Back Height Metal Curved	16" Wide	17" Wide	18" Wide
16"	12"	11"	1106973-NLA	1106983	1106993
17"	13"	12"	1106974	1106984	1106994
18"	14"	13"	1106975	1106985	1106995
19"	15"	14"	1106976	1106986	1106996
20"	16"	15"	1106977	1106987	1106997
21"	17"	16"	1106978	1106988	1106998
22"	18"	17"	1106979	1106989	1106999
23"	19"	18"	1106980	1106990	1107000
24"	20"	19"	1106981	1106991	1107001

NOTE: Hook Fastener Adhesive Kit must be ordered when a Back Pan or Back Assembly is requested. This will allow the Loop Fastener Adhesive on the Back Cover to attach properly.

#3 Back Assembly with Hardware - 19" Wide to 22" Wide

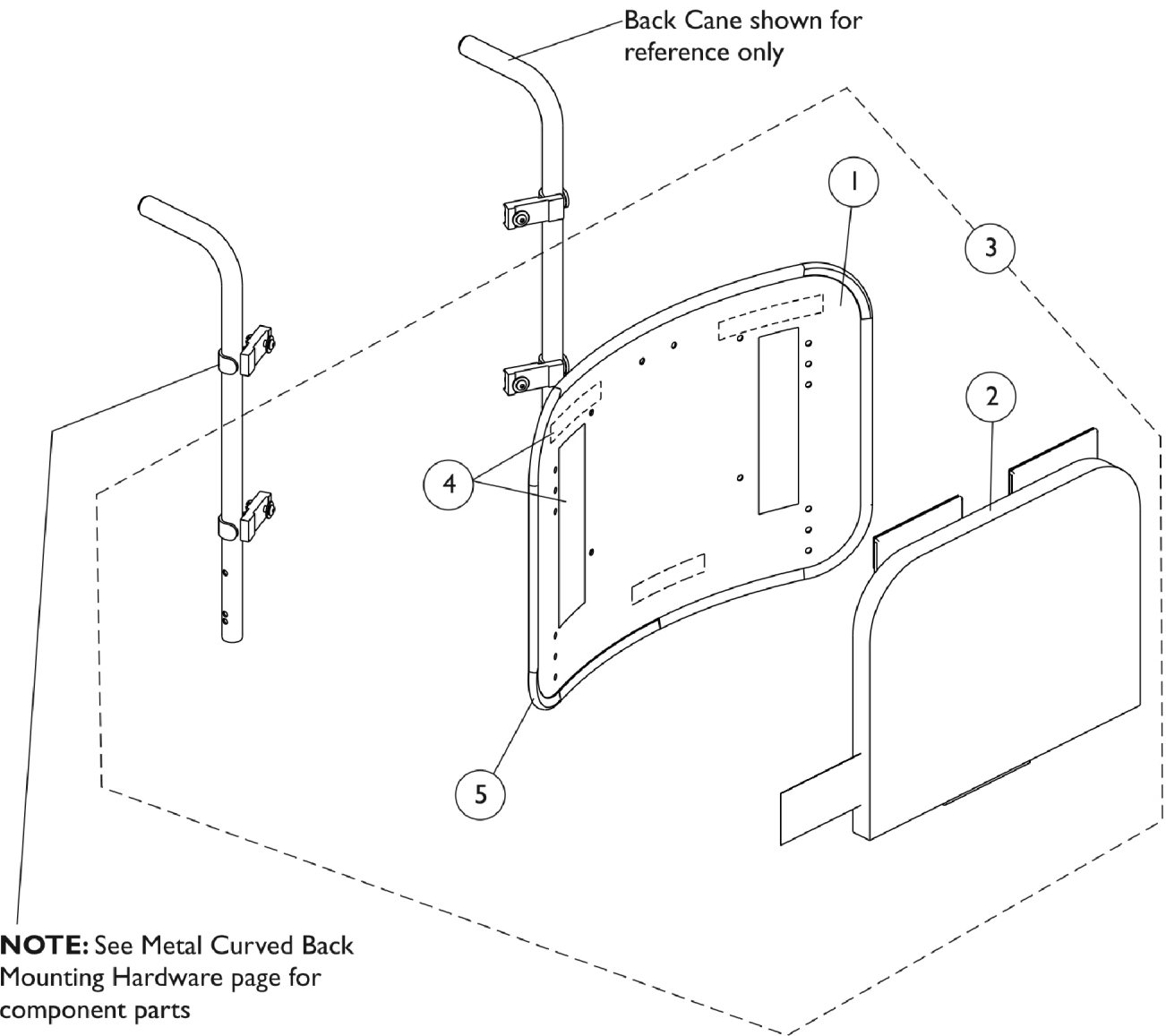
Overall Back Height	Material Back Height ABS Plastic Curved	Material Back Height Metal Curved	19" Wide	20" Wide	21" Wide	22" Wide
16"	12"	11"	1107003	1107013	1107023	1107033
17"	13"	12"	1107004	1107014	1107024	1107034
18"	14"	13"	1107005	1107015	1107025	1107035
19"	15"	14"	1107006	1107016	1107026	1107036
20"	16"	15"	1107007	1107017	1107027	1107042-NLA
21"	17"	16"	1107008	1107018	1107028	1107043
22"	18"	17"	1107009	1107019	1107029	1107044
23"	19"	18"	1107010	1107020	1107030	1107045
24"	20"	19"	1107011	1107021	1107031	1107046

NOTE: Hook Fastener Adhesive Kit must be ordered when a Back Pan or Back Assembly is requested. This will allow the Loop Fastener Adhesive on the Back Cover to attach properly.

Metal Curved Back Assembly

NOTE: Curved Back mounts only to back canes without a 10 degree bend.

NOTE: As of 8/15/08 the Curved Back material changed from ABS Plastic to Metal as inventory runs out. You must ask the customer if they have an ABS Plastic or the Metal Curved Back model when replacing components. All service replacement Back Assemblies with Hardware shipped will be metal. New Headrest Mounting Hardware is required when replacing an ABS Curved Back with a Metal Curved Back.



Metal Curved Back Assembly

NOTE: Curved Back mounts only to back canes without a 10 degree bend.

NOTE: As of 8/15/08 the Curved Back material changed from ABS Plastic to Metal as inventory runs out. You must ask the customer if they have an ABS Plastic or the Metal Curved Back model when replacing components. All service replacement Back Assemblies with Hardware shipped will be metal. New Headrest Mounting Hardware is required when replacing an ABS Curved Back with a Metal Curved Back.

Item Number	Note	Part Number	Description	Quantity Per	
				Package	Assembly
1		See Chart	#1 Back Pan w/ Vinyl Edge Trim 16"-18" Wide	1	1
1		See Chart	#1 Back Pan w/ Vinyl Edge Trim 19"-22" Wide	1	1
2		See Chart	#2 Back Cushion Assembly 16"-18" Wide	1	1
2		See Chart	#2 Back Cushion Assembly 19"-22" Wide	1	1
3		See Chart	#3 Back Assembly with Hardware 16"-18" Wide	1	1
3		See Chart	#3 Back Assembly with Hardware 19"-22" Wide	1	1
4	A	1125723	Kit, Hook Fastener w/ Adhesive Back	1	1
5		1125724-NLA	NLA - Trim, Edge, Cut-To-Length, Vinyl Black (96" L)	1	1

NOTE: A - Hook Fastener Adhesive Kit is used to attach the Back Cover to the Back Pan and must be ordered when a new Back Pan or Back Assembly is requested.

#1 Back Pan w/ Vinyl Edge Trim - 16"-18" Wide

Overall Back Height	Material Back Height	16" Wide	17" Wide	18" Wide
16"	11"	1157826	1157837	1157848
17"	12"	1157827	1157838	1157849
18"	13"	1157828	1157839	1157850
19"	14"	1157829	1157840	1157851
20"	15"	1157830	1157841	1157852
21"	16"	1157831	1157842	1157853
22"	17"	1157832	1157843	1157854
23"	18"	1157833	1157844	1157855
24"	19"	1157834	1157845	1157856

NOTE: Hook Fastener Adhesive Kit must be ordered when a Back Pan or Back Assembly is requested. This will allow the Loop Fastener Adhesive on the Back Cover to attach properly.

Metal Curved Back Assembly

NOTE: Curved Back mounts only to back canes without a 10 degree bend.

NOTE: As of 8/15/08 the Curved Back material changed from ABS Plastic to Metal as inventory runs out. You must ask the customer if they have an ABS Plastic or the Metal Curved Back model when replacing components. All service replacement Back Assemblies with Hardware shipped will be metal. New Headrest Mounting Hardware is required when replacing an ABS Curved Back with a Metal Curved Back.

#1 Back Pan w/ Vinyl Edge Trim - 19"-22" Wide

Overall Back Height	Material Back Height	19" Wide	20" Wide	21" Wide	22" Wide
16"	11"	1157859	1157870	1157881	1157892
17"	12"	1157860	1157871	1157882	1157893
18"	13"	1157861	1157872	1157883	1157894
19"	14"	1157862	1157873	1157884	1157895
20"	15"	1157863	1157874	1157885	1157896
21"	16"	1157864	1157875	1157886	1157897
22"	17"	1157865	1157876	1157887	1157898
23"	18"	1157866	1157877	1157888	1157899
24"	19"	1157867	1157878	1157889	1157900

NOTE: Hook Fastener Adhesive Kit must be ordered when a Back Pan or Back Assembly is requested. This will allow the Loop Fastener Adhesive on the Back Cover to attach properly.

#2 Back Cushion Assembly - 16"-18" Wide

Overall Back Height	Material Back Height	16" Wide	17" Wide	18" Wide
16"	12-1/2"	1160207	1160218	1160229
17"	13-1/2"	1160208	1160219	1160230
18"	14-1/2"	1160209	1160220	1160231
19"	15-1/2"	1160210	1160221	1160232
20"	16-1/2"	1160211	1160222	1160233
21"	17-1/2"	1160212	1160223	1160234
22"	18-1/2"	1160213	1160224	1160235
23"	19-1/2"	1160214	1160225	1160236
24"	20-1/2"	1160215	1160226	1160237

NOTE: Back cover and foam are sold as a Back Cushion Assembly only.

Metal Curved Back Assembly

NOTE: Curved Back mounts only to back canes without a 10 degree bend.

NOTE: As of 8/15/08 the Curved Back material changed from ABS Plastic to Metal as inventory runs out. You must ask the customer if they have an ABS Plastic or the Metal Curved Back model when replacing components. All service replacement Back Assemblies with Hardware shipped will be metal. New Headrest Mounting Hardware is required when replacing an ABS Curved Back with a Metal Curved Back.

#2 Back Cushion Assembly - 19"-22" Wide

Overall Back Height	Material Back Height	19" Wide	20" Wide	21" Wide	22" Wide
16"	12-1/2"	1097378-NLA	1097379-NLA	1097380-NLA	1097381-NLA
17"	13-1/2"	1097385-NLA	1097386-NLA	1097387-NLA	1097388-NLA
18"	14-1/2"	1097392	1097393	1097394-NLA	1097395-NLA
19"	15-1/2"	1097399	1097400	1097401	1097402
20"	16-1/2"	1097406	1097407	1097408	1097409
21"	17-1/2"	1097413	1097414	1097415	1097416
22"	18-1/2"	1097420	1097421	1097422	1097423
23"	19-1/2"	1097427	1097428	1097429	1097430
24"	20-1/2"	1097434	1097435	1097436	1097437

NOTE: Back cover and foam are sold as a Back Cushion Assembly only.

Metal Curved Back Assembly

NOTE: Curved Back mounts only to back canes without a 10 degree bend.

NOTE: As of 8/15/08 the Curved Back material changed from ABS Plastic to Metal as inventory runs out. You must ask the customer if they have an ABS Plastic or the Metal Curved Back model when replacing components. All service replacement Back Assemblies with Hardware shipped will be metal. New Headrest Mounting Hardware is required when replacing an ABS Curved Back with a Metal Curved Back.

#3 Back Assembly with Hardware - 16" -18" Wide

Overall Back Height	Material Back Height ABS Plastic Curved	Material Back Height Metal Curved	16" Wide	17" Wide	18" Wide
16"	12"	11"	1106973-NLA	1106983	1106993
17"	13"	12"	1106974	1106984	1106994
18"	14"	13"	1106975	1106985	1106995
19"	15"	14"	1106976	1106986	1106996
20"	16"	15"	1106977	1106987	1106997
21"	17"	16"	1106978	1106988	1106998
22"	18"	17"	1106979	1106989	1106999
23"	19"	18"	1106980	1106990	1107000
24"	20"	19"	1106981	1106991	1107001

NOTE: Hook Fastener Adhesive Kit must be ordered when a Back Pan or Back Assembly is requested. This will allow the Loop Fastener Adhesive on the Back Cover to attach properly.

NOTE: When ordering Metal Curved Back assemblies to replace ABS Back Pans, match the wheelchair width by the material back height to determine the correct part number to order.

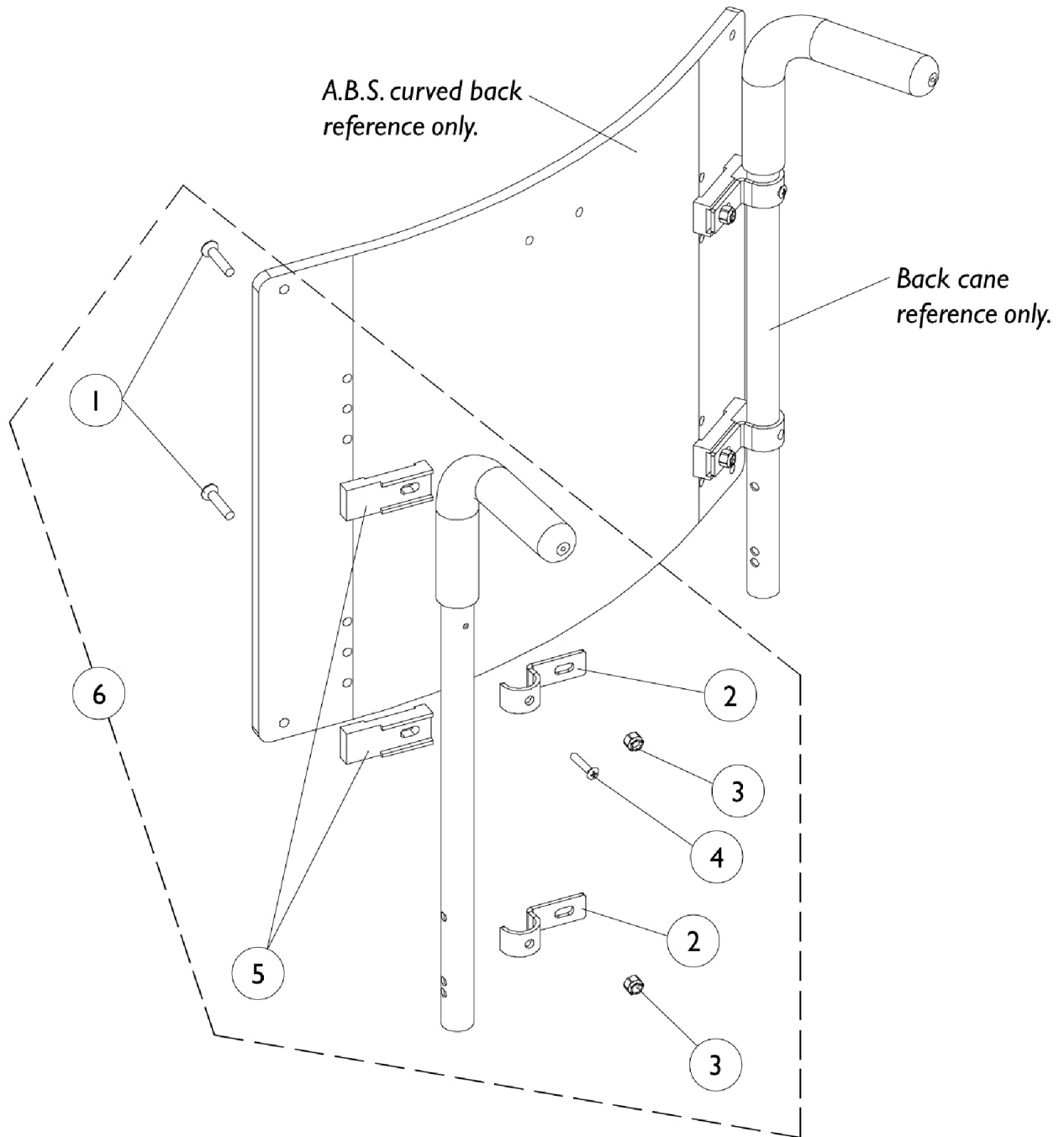
#3 Back Assembly with Hardware - 19"-22" Wide

Overall Back Height	Material Back Height ABS Plastic Curved	Material Back Height Metal Curved	19" Wide	20" Wide	21" Wide	22" Wide
16"	12"	11"	1107003	1107013	1107023	1107033
17"	13"	12"	1107004	1107014	1107024	1107034
18"	14"	13"	1107005	1107015	1107025	1107035
19"	15"	14"	1107006	1107016	1107026	1107036
20"	16"	15"	1107007	1107017	1107027	1107042-NLA
21"	17"	16"	1107008	1107018	1107028	1107043
22"	18"	17"	1107009	1107019	1107029	1107044
23"	19"	18"	1107010	1107020	1107030	1107045
24"	20"	19"	1107011	1107021	1107031	1107046

NOTE: Hook Fastener Adhesive Kit must be ordered when a Back Pan or Back Assembly is requested. This will allow the Loop Fastener Adhesive on the Back Cover to attach properly.

NOTE: When ordering Metal Curved Back assemblies to replace ABS Back Pans, match the wheelchair width by the material back height to determine the correct part number to order.

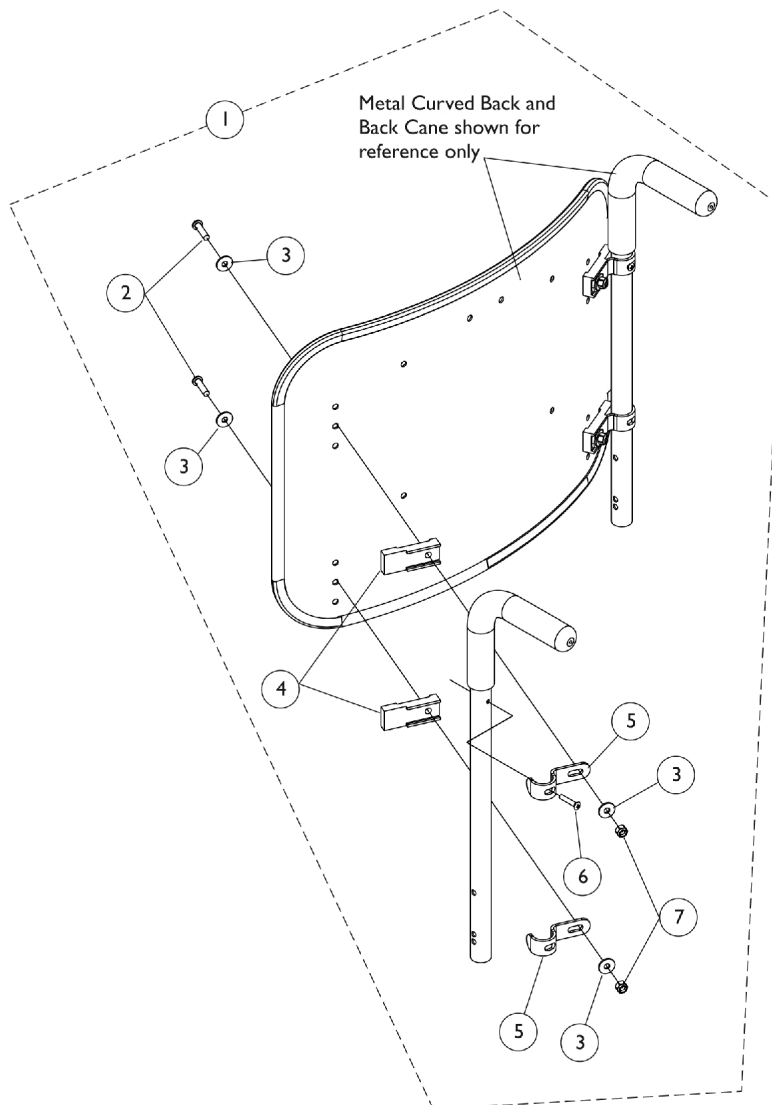
ABS Curved Back Mounting Hardware



ABS Curved Back Mounting Hardware

Item Number	Note	Part Number	Description	Quantity Per	
				Package	Assembly
6	A	1106395-NLA	NLA - Kit, ABS Curved Back Mounting Hardware	1	1
1			NLA - Screw, Socket Flat Head (1/4-20 x 1-1/4")	1	4
2			Hook, Back Assembly Mounting	1	4
3			Locknut (1/4-20)	1	4
4			NLA - Screw, Phillips Oval Head (#10-16 x 7/8")	1	2
5			NLA - Spacer, Back Pan, Black	1	4
NOTE: A - Includes items 1-5					

Metal Curved (16-22" Wide) Back Mounting Hardware

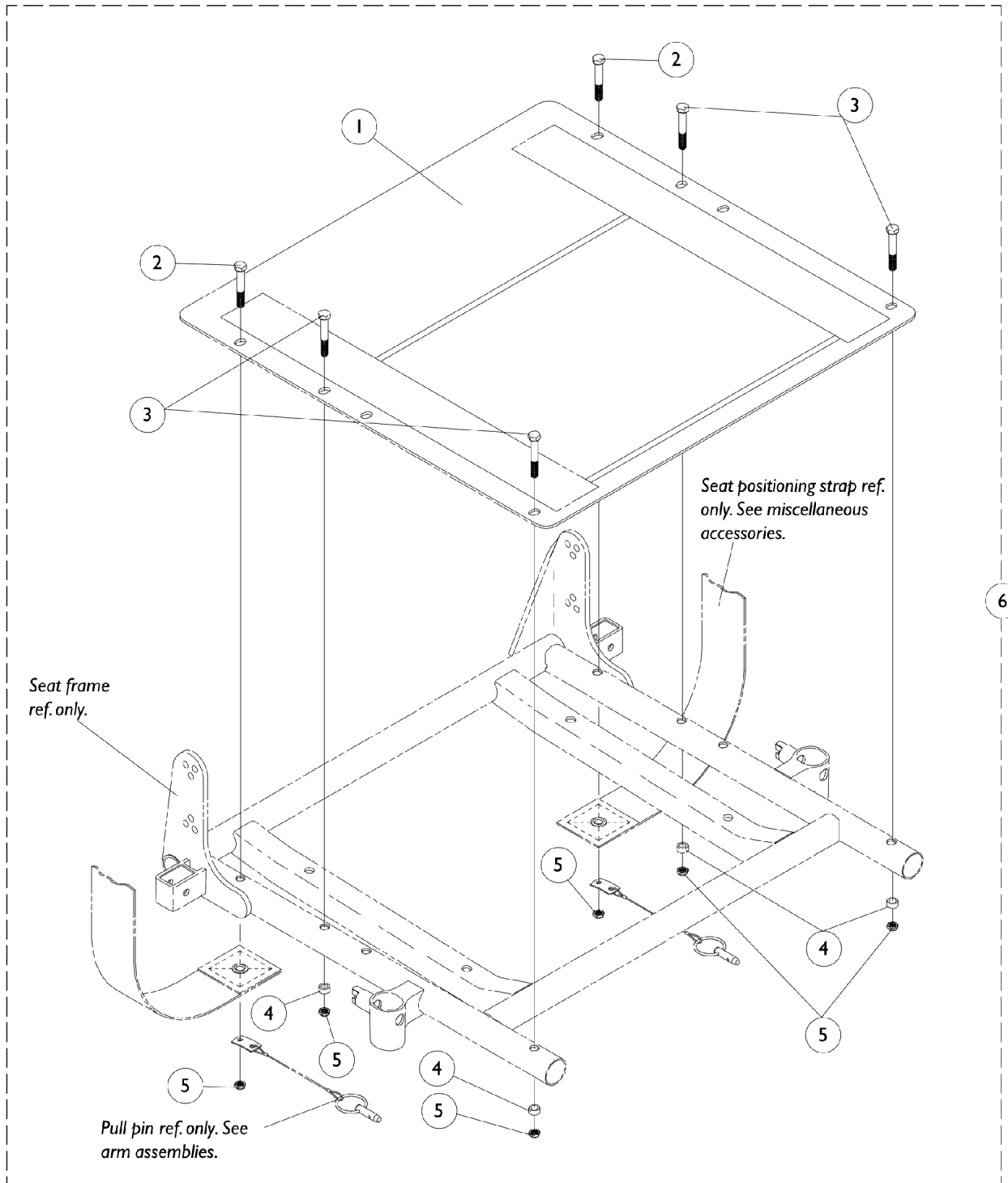


Item Number	Note	Part Number	Description	Quantity Per	
				Package	Assembly
1	A	1157925	Kit, Metal Curved and Curve Contoura Back Mounting Hardware	1	1
2			Spacer, Back Pan, Black	1	4
3			Hook, Back Assembly Mounting	1	4
4			Screw, Socket Button Head (1/4-20 x 1")	1	4
5			Washer (1/4 x 23/32 x 1/16")	1	8
6			NLA - Screw, Phillips Oval Head (#10-16 x 7/8")	1	2
7			Locknut (1/4-20)	1	4

NOTE: A - Includes items 2-7

Seat Pan and Mounting Hardware

NOTE: Front rigging hanger assemblies share seat pan hardware item numbers 3-5.



Seat Pan and Mounting Hardware

NOTE: Front rigging hanger assemblies share seat pan hardware item numbers 3-5.

Item Number	Note	Part Number	Description	Quantity Per	
				Package	Assembly
1		See Chart	#1 Seat Pan 16"-18" D	1	1
1		See Chart	#1 Seat Pan 19"-22" D	1	1
6	A	1070459-NLA	NLA - Kit, Seat Pan Mounting Hardware	1	1
2			Screw, Hex Head (1/4-20 x 1-5/8")	1	2
3			Screw, Hex Head (1/4-20 x 1-1/2")	1	4
4			NLA - Spacer (1/4 x 3/8 x 3/16")	1	4
5			Locknut (1/4-20)	1	6

NOTE: A - Includes items 2-5

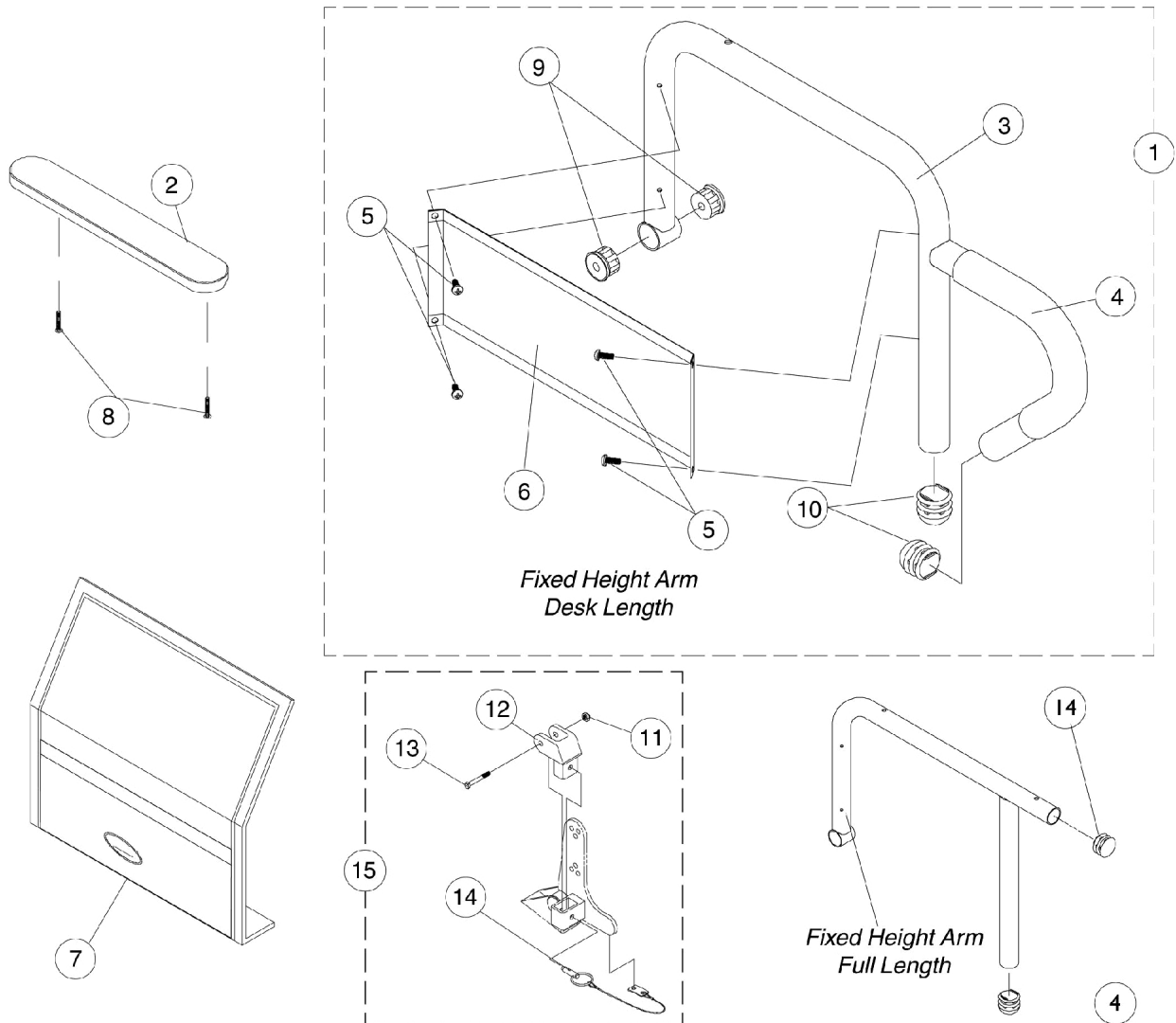
#1 Seat Pan - 16" D to 18" D

Seat Width	16" Deep	17" Deep	18" Deep
16" Wide	1066013-NLA	1066024	1066035-NLA
17" Wide	1066014-NLA	1066025-NLA	1066036-NLA
18" Wide	1066015-NLA	1066026	1066037-NLA
19" Wide	1066016-NLA	1066027-NLA	1066038-NLA
20" Wide	1066017-NLA	1066028-NLA	1066039-NLA
21" Wide	1066018-NLA	1066029-NLA	1066040-NLA
22" Wide	1066019-NLA	1066030-NLA	1066041-NLA

#1 Seat Pan - 19" D to 22" D

Seat Width	19" Deep	20" Deep	21" Deep	22" Deep
16" Wide	1066046-NLA	1066057-NLA	1066068-NLA	1066079-NLA
17" Wide	1066047-NLA	1066058-NLA	1066069-NLA	1066080-NLA
18" Wide	1066048-NLA	1066059-NLA	1066070-NLA	1066081-NLA
19" Wide	1066049-NLA	1066060	1066071-NLA	1066082-NLA
20" Wide	1066050-NLA	1066061-NLA	1066072-NLA	1066083-NLA
21" Wide	1066051-NLA	1066062-NLA	1066073-NLA	1066084-NLA
22" Wide	1066052-NLA	1066063-NLA	1066074-NLA	1066085-NLA

Arms, Fixed Height



Arms, Fixed Height

Item Number	Note	Part Number	Description	Quantity Per	
				Package	Assembly
1		See Chart	#1 Arms Less Pad - 16"-19" Deep Seat Frames	1	1
1		See Chart	#1 Arms Less Pad - 20" and Deeper Seat Frames	1	1
2	A	8881015932-NL A	NLA - Pad, Arm, Vinyl, Full Length - Right (14" L x 2" W)	1	1
2	A	8881015933-NL A	NLA - Pad, Arm, Vinyl, Full Length - Left (14" L x 2" W)	1	1
2	A	8881011811-NL A	NLA - Pad, Arm, Vinyl, Desk Length (9" L x 2" W)	1	1
3		1068564	Tube, Arm, Desk Length, Black - Right (16-19" D)	1	1
3		1068565-NLA	NLA - Tube, Arm, Desk Length, Black - Left (16-19" D)	1	1
3		1068414-NLA	NLA - Tube, Arm, Desk Length, Long, Black - Right (20" and Deeper)	1	1
3		1068415-NLA	NLA - Tube, Arm, Desk Length, Long, Black - Left (20" and Deeper)	1	1
3		1068490	Tube, Arm, Full Length, Black - Right (16-19"D)	1	1
3		1068491-NLA	NLA - Tube, Arm, Full Length, Black - Left (16 - 19"D)	1	1
3		1068473-NLA	NLA - Tube, Arm, Full Length, Long, Black - Right (20" and Deeper)	1	1
3		1068474-NLA	NLA - Tube, Arm, Full Length, Long, Black - Left (20" and Deeper)	1	1
4		1032244	Grip, Foam Hand (9" L)	1	1
5		1025729	Screw, Phillips Pan Head Tap (#8-32 x 3/8")	1	4
6		1035472-NLA	NLA - Guard, Clothing, Desk Length	1	1
6		1044572-NLA	NLA - Guard, Clothing, Full Length (16 - 19" D)	1	1
6		1044005-NLA	NLA - Guard, Clothing, Full Length (20" and Deeper)	1	1
7		1035065	Cover, Clothing Guard w/ Pocket, FXDESK & ADJFULL/ADJDESK	1	1
7		1044588	Cover, Clothing Guard with Pocket Fixed Height Full Length (20" and Deeper)	1	1
8		1055949	Package, Screw, Phillips Pan Head (#10-32 x 1-3/8")	2	1
9		1065936	Plug, Pivot	1	2
10		1067734	Plug Button, Black (5/8")	1	2
11		7930323-NLA	NLA - Package, Locknut (1/4-20)	25	1
12		1068025	Clevis, Pivot	1	1
13		1019590	Screw, Socket Button Head (1/4-20 x 1-5/8")	1	1
14		1068039	Pin, Pull	1	1
15	B	1068488	Kit, Swingaway Armrest Mounting Hardware	1	1
16		1027095	Plug Button, Black (7/8")	1	1

NOTE: A - Specify U67 black upholstery color when ordering.
B - Includes items 11-14

Arms, Fixed Height

#1 Arms Less Pads

16"-19" Deep Seat Frames

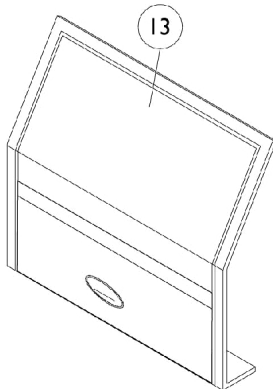
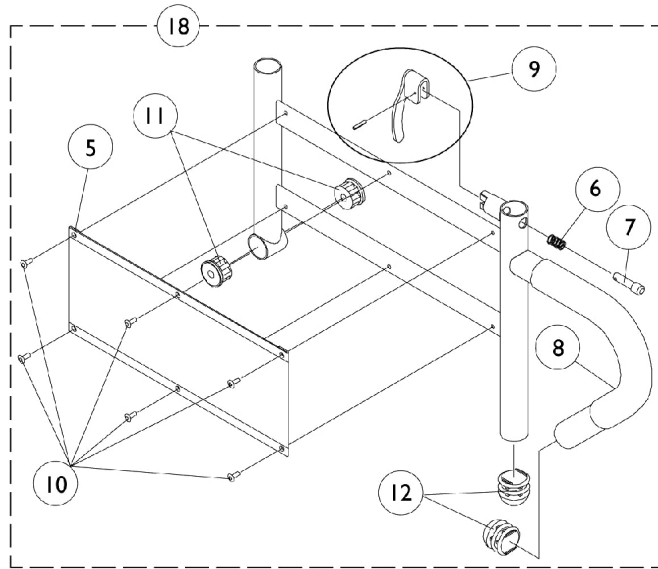
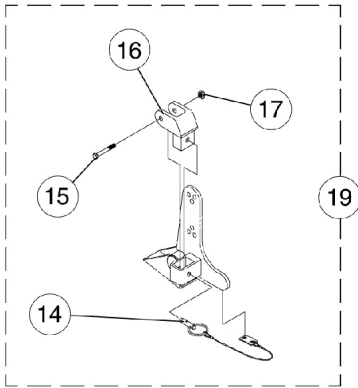
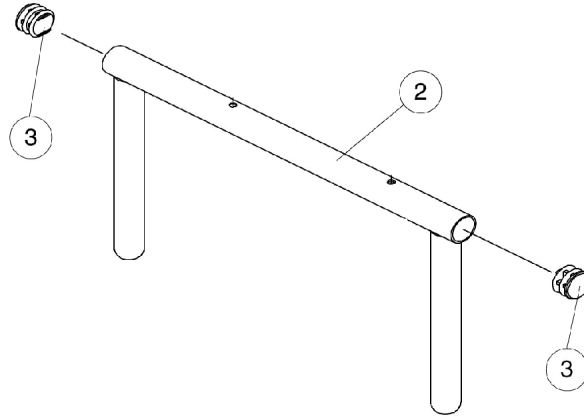
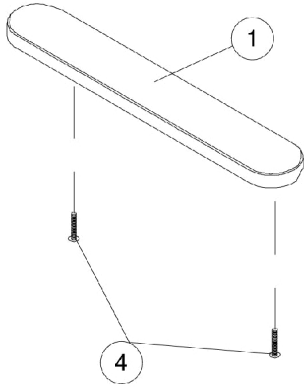
Arm Style	Right	Left
Desk Length	1068566-NLA	1068567-NLA
Full Length	1068559-NLA	1068560-NLA

#1 Arms Less Pad

20" and Deeper Seat Frames

Arm Style	Right	Left
Desk Length	1068540-NLA	1068541-NLA
Full Length	1068528-NLA	1068529-NLA

Arms, Adjustable Height



Arms, Adjustable Height

Item Number	Note	Part Number	Description	Quantity Per	
				Package	Assembly
1	A	8881015932-NL A	NLA - Pad, Arm, Vinyl, Full Length - Right (14" L x 2" W)	1	1
1	A	8881015933-NL A	NLA - Pad, Arm, Vinyl, Full Length - Left (14" L x 2" W)	1	1
1	A	8881011811-NL A	NLA - Pad, Arm, Vinyl, Desk Length (9" L x 2" W)	1	1
2		1071253	Arm Tube Assembly w/ Plug Buttons, Full Length, Black - Right/Left	1	1
2		1070859	Arm Tube Assembly w/ Plug Buttons, Desk Length, Black - Right/Left	1	1
3		1027095	Plug Button, Black (7/8")	1	2
4		1055949	Package, Screw, Phillips Pan Head (#10-32 x 1-3/8")	2	1
5		1064130-NLA	NLA - Guard, Clothing	1	1
6		47471X074	Spring, Arm Lock	1	1
7		1028594	Pin, Arm Lock, Black	1	1
8		1032244	Grip, Foam Hand (9" L)	1	1
9		1090768	Kit, Lock Handle w/Rivets (Pair)	2	1
10		1028645	Rivet	1	6
11		1065936	Plug, Pivot	1	2
12		1067734	Plug Button, Black (5/8")	1	2
13		1035065	Cover, Clothing Guard w/ Pocket, FXDESK & ADJFULL/ADJDESK	1	1
14		1068039	Pin, Pull	1	1
15		1019590	Screw, Socket Button Head (1/4-20 x 1-5/8")	1	1
16		1068025	Clevis, Pivot	1	1
17		7930323-NLA	NLA - Package, Locknut (1/4-20)	25	1
18		1068416	Arm Base Assembly, Black - Right (16-19" D)	1	1
18		1068417	Arm Base Assembly, Black - Left (16-19" D)	1	1
18		1068418	Arm Base Assembly, Black - Right (20" and Deeper)	1	1
18		1068419	Arm Base Assembly, Black - Left (20" and Deeper)	1	1
19	B	1068488	Kit, Swingaway Armrest Mounting Hardware	1	1

NOTE: A - Specify U67 black upholstery color when ordering.
B - Includes items 14-17

Front Rigging Reference Chart

Support Assemblies

Front Rigging	Color Right	Color Left	Chrome Right	Chrome Left
PHW93 (Black)	1114755	1114756	N/A	N/A
PH904A	8881114757 See Note(s) A	8881114758 See Note(s) A	N/A	N/A
PHAL4A	N/A	N/A	1114761	1114762

NOTE: A - Specify 34P Flat Black Frame Finish When Ordering.

PHW93

Pivot Slide Tubes with Footplates

Chair Width	Aluminum (1650)	Deluxe Aluminum (1450)	Extra Large Aluminum (1350)	Adjustable Angle (AT5543)	Composite (1651)
16" Wide Right	1074149	1074151-NLA	1026395	1062756	1057869
16" Wide Left	1074150	1074152-NLA	1026396	1062757	1057870
17-22" Wide Right	1074149	1074151-NLA	1026395	1062756	1057879
17-22" Wide Left	1074150	1074152-NLA	1026396	1062757	1057880

NOTE: Pivot/ Slide Tube Mounting Hardware is Not Included.

PHAL4A

Pivot Slide Tubes with Footplates

Chair Width	Aluminum (1650)	Deluxe Aluminum (1450)	Extra Large Aluminum (1350)
16-22" Wide Right	1023907	1023924-NLA	1035456
16-22" Wide Left	1023908	1023925-NLA	1035457

NOTE: Pivot/ Slide Tube Mounting Hardware is Not Included.

Front Rigging Reference Chart

PH904A

Pivot Slide Tubes with Footplates

Chair Width	Aluminum (1650)	Deluxe Aluminum (1450)	Extra Large Aluminum (1350)
16-22" Wide Right	1058604	1028723-NLA	1058830
16-22" Wide Left	1058605	1028724-NLA	1058831

NOTE: Pivot/ Slide Tube Mounting Hardware is Not Included.

PHW93 (2" and 4" Longer)

Pivot Slide Tubes with Footplates

Footplate Type	16-22" Wide Right	16-22" Wide Left
Aluminum (1650) 2" Longer	1086494-NLA	1086497-NLA
Aluminum (1650) 4" Longer	1086495-NLA	1086498-NLA
Extra Large Aluminum (1350) 2" Longer	1086515	1086517
Extra Large Aluminum (1350) 4" Longer	1086516	1086518
Adjustable Angle (AT5543) 2" Longer	1062760	1062761

NOTE: Pivot/ Slide Tube Mounting Hardware is not Included.

PHW93 (2" and 4" Longer)

Pivot Slide Tubes with Footplates

Footplate Type	16" Wide Right	16" Wide Left	17"-22" Wide Right	17"-22" Wide Left
Composite (1651) 2" Longer	1057871	1057872	1057881	1057882
Composite (1651) 4" Longer	1058421	1058422	1058423	1058424

NOTE: Pivot/ Slide Tube Mounting Hardware is not Included.

Front Rigging Reference Chart

PH904A (2" and 4" Longer)

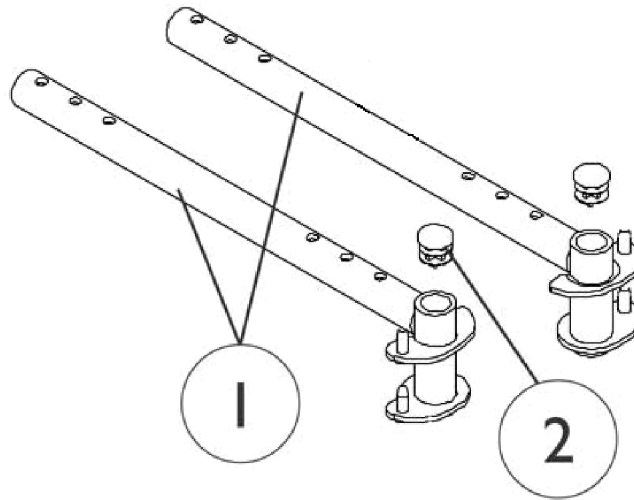
Pivot Slide Tubes with Footplates

Footplate Type	16-22" Wide Right	16-22" Wide Left
Aluminum (1650) 2" Longer	1086529-NLA	1086531-NLA
Aluminum (1650) 4" Longer	1086530-NLA	1086532-NLA
Extra Large Aluminum (1350) 2" Longer	1086541-NLA	1086551-NLA
Extra Large Aluminum (1350) 4" Longer	1086542-NLA	1086552-NLA

NOTE: Pivot/ Slide Tube Mounting Hardware is Not Included.

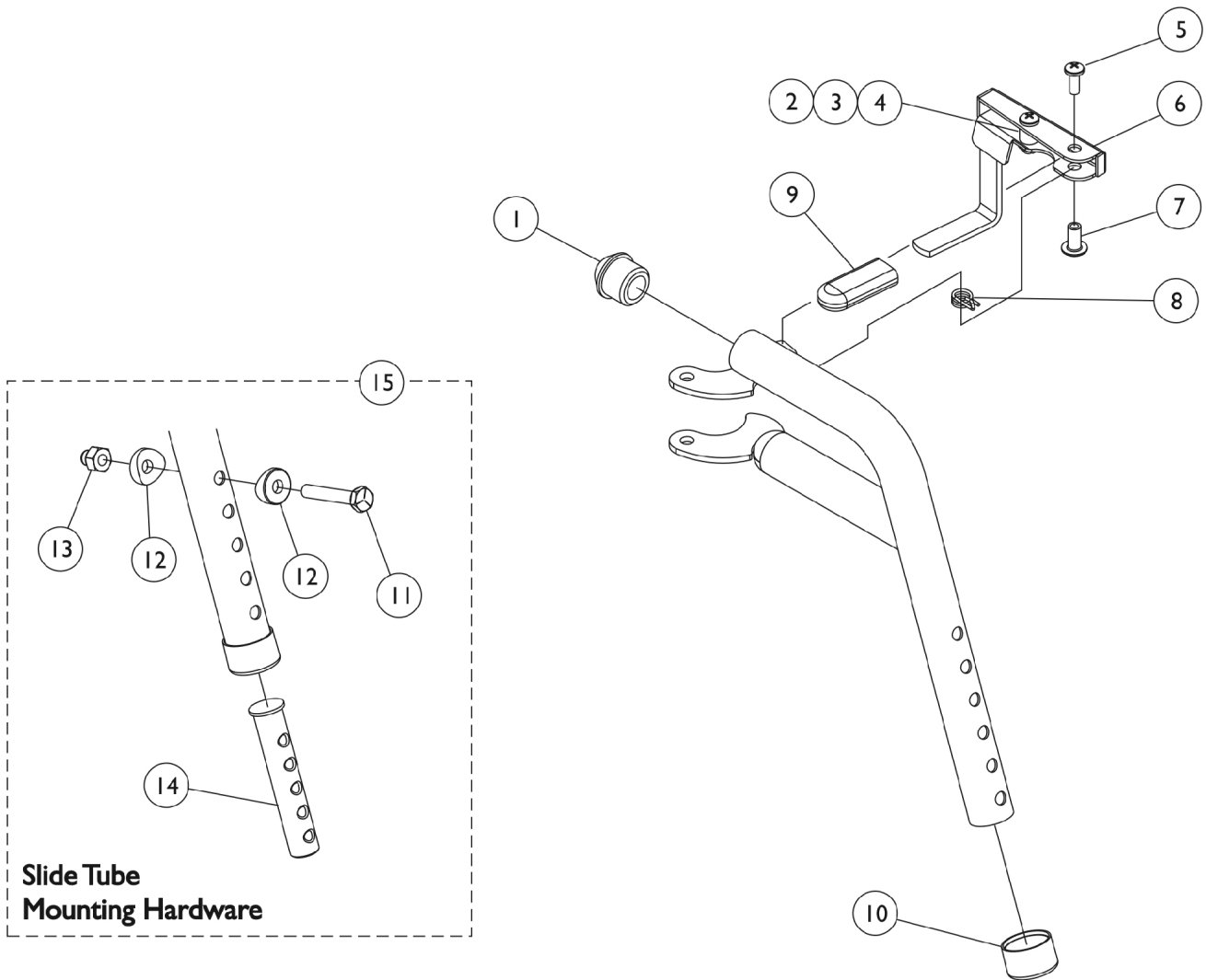
Front Rigging Hanger Assembly

NOTE: Front rigging hanger assemblies and seat pans share the same mounting hardware for an A.S.B.A. seat. See Seat Pan and Mounting Hardware page.



Item Number	Note	Part Number	Description	Quantity Per	
				Package	Assembly
1		1114766	Front Rigging Hanger Assembly w/ Plug Button, Pin Style, Hemi, Black - Right (12 - 21" D)	1	1
1		1114767	Front Rigging Hanger Assembly w/ Plug Button, Pin Style, Hemi, Black - Left (12 - 21" D)	1	1
1		1132339-NLA	NLA - Front Rigging Hanger Assembly w/ Plug Button, Pin Style, Hemi, Black - Right (22" D)	1	1
1		1132340-NLA	NLA - Front Rigging Hanger Assembly w/ Plug Button, Pin Style, Hemi, Black - Left (22" D)	1	1
2		1027097	Plug Button, Black (3/4")	1	1

PHW93 (Hemi) Footrest Supports Black



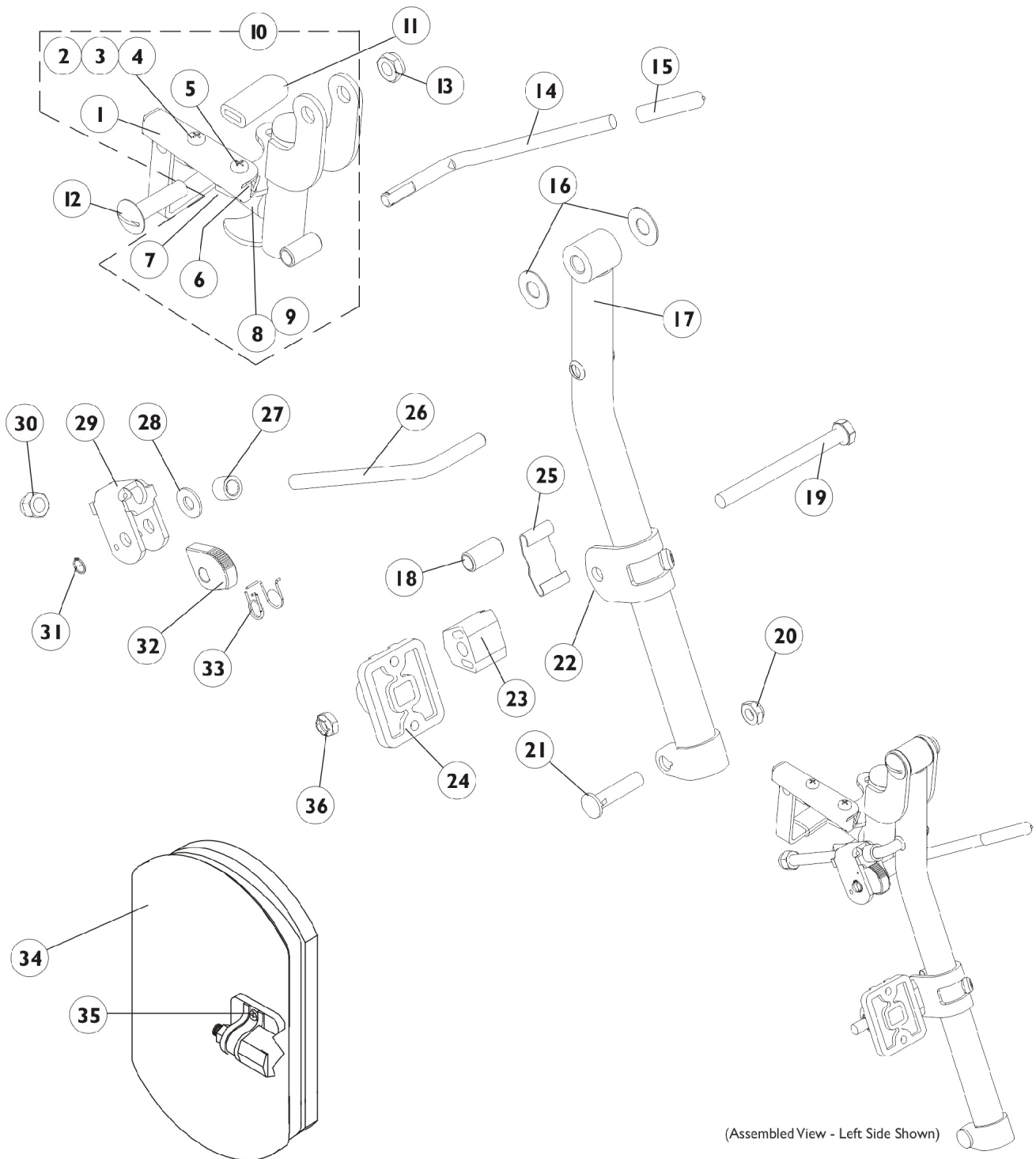
PHW93 (Hemi) Footrest Supports Black

Item Number	Note	Part Number	Description	Quantity Per	
				Package	Assembly
1		1020719	Anti-Rattle, Black	1	1
2		1025716	Screw, Phillips Pan Head (#10-32 x 11/16")	1	1
3		47565X057	Bushing (7/32 x 3/8 x 11/32")	1	1
4		1025735	Locknut (#10-32)	1	1
5		1026114	Screw, Phillips Pan Head (#10-32 x 1/2")	1	1
6	A	1114749-NLA	NLA - Handle, Release, Black - Right	1	1
6	A	1114750-NLA	NLA - Handle, Release, Black - Left	1	1
7		1028846-NLA	NLA - Rivnut (#10-32)	1	1
8		1028707	Spring, Release - Right	1	1
8		1028708	Spring, Release - Left	1	1
9		1006490	Tip, Plastic, Black	1	1
10		15680X012	Collar, Anti-Rattle (7/8")	1	1
11		1070759	Screw, Hex Head (1/4-20 x 1-1/2")	1	1
12		1026099	Spacer, Coved (1/4 x 11/16 x 1/2")	1	2
13		1044214	Nut, Hex with Nylon Cap (1/4-20)	1	1
14	C	1020534	Insert, Threaded	1	1
15		1074143	Kit, Slide Tube Mounting Hardware	1	1
	B	1114755	Footrest Support Assembly, Hemi, Black - Right	1	1
	B	1114756	Footrest Support Assembly, Hemi, Black - Left	1	1

NOTE: A - Includes items 2-4
 B - Not Shown
 C - As of 8/15/03, the Threaded Insert was revised from 3 to 5 Holes. Threaded Insert is Backward Compatible and does not require ordering in Pairs.

PH904A (Hemi) Legrest Supports

Due to a change to the Legrest Calf Pad size made on 4/23/12, you must also order the hardware kit (1066591) when ordering replacement Calf Pads.



PH904A (Hemi) Legrest Supports

Due to a change to the Legrest Calf Pad size made on 4/23/12, you must also order the hardware kit (1066591) when ordering replacement Calf Pads.

Item Number	Note	Part Number	Description	Quantity Per	
				Package	Assembly
1	D	1114749-NLA	NLA - Handle, Release, Black - Right	1	1
1	D	1114750-NLA	NLA - Handle, Release, Black - Left	1	1
2		1025716	Screw, Phillips Pan Head (#10-32 x 11/16")	1	1
3		47565X057	Bushing (7/32 x 3/8 x 11/32")	1	1
4		1025735	Locknut (#10-32)	1	1
5		1026114	Screw, Phillips Pan Head (#10-32 x 1/2")	1	1
6		1008935	Spring, Release - Right	1	1
6		1008936	Spring, Release - Left	1	1
7		67005X000	Rivnut (#10-32)	1	1
8		1030979	Screw, Phillips Pan Head Tap (#10-32 x 3/4")	1	1
9		1022874	Bumper	1	1
10	E	1114753	Legrest Support Assembly, Black - Right	1	1
10	E	1114754	Legrest Support Assembly, Black - Left	1	1
11		1006490	Tip, Plastic, Black	1	1
12		11919X000-NLA	NLA - Screw, Slotted Truss Head (3/8-16 x 1-1/2")	1	1
13		40363X000	Hex Nut (3/8"-16)	1	1
14		1037126	Handle, Release	1	1
15		1040060	Tip, Plastic, Black	1	1
16		1058636-NLA	NLA - Washer, Nylon (25/64 x 7/8 x 1/32")	1	2
17	A	8881048851	Tube, Elevating Adjustable Support, Color - Right	1	1
17	A	8881048852	Tube, Elevating Adjustable Support, Color - Left	1	1
18		47328X003	Bushing, Pivot (5/16 x 7/16 x 7/8")	1	1
19		1014807	Screw, Hex Head (5/16-24 x 3-1/4")	1	1
20		1107321	Nut, Low Cap (5/16"-24)	1	1
21		1026030	Bolt, Lug (5/16-24 x 1-3/8")	1	1
22		1110207	Bracket, Calf Pad Mounting, Black	1	1
23		1025133	Spacer, Legrest Pad, Black	1	1
24		04526X019	Plate, Legrest Pad	1	1
25		48823X008	Spring, Leaf	1	1
26		1113030	Bar, Ratchet	1	1
27		47330X003	Spacer (5/16 x 1/2 x 3/8")	1	2
28		1013519	Washer, Nylon (5/16 x 11/16 x 1/16")	1	1
29		04528X002	Bracket, Release, Black	1	1
30		10261X000	Nut, Acorn (5/16-24)	1	1
31		1040831	Ring, Snap	1	1
32		1037125	Cam, Legrest	1	1
33		1037485	Spring, Release	1	1
34	B,G	8881091764	Pad, Legrest, Vinyl - Right/Left	1	1
35	F	1068649	Hardware, Legrest Pad	1	1
			Screw, Phillips Pan Head (#10-32 x 11/16")	1	2
			Screw, Phillips Pan Head (#10-32 x 1")	1	2
			Instruction Sheet, Legrest Pad Mtg.	1	1
36		1025730	Locknut (5/16-24)	1	1

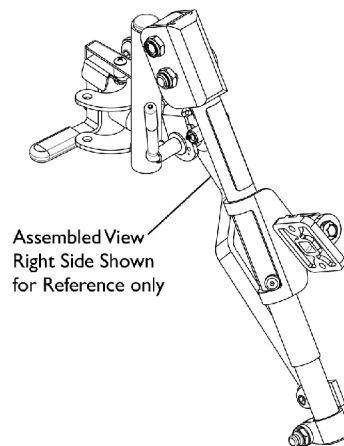
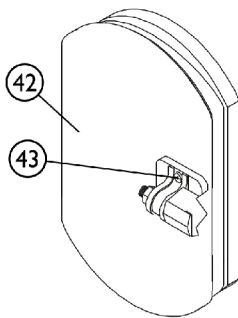
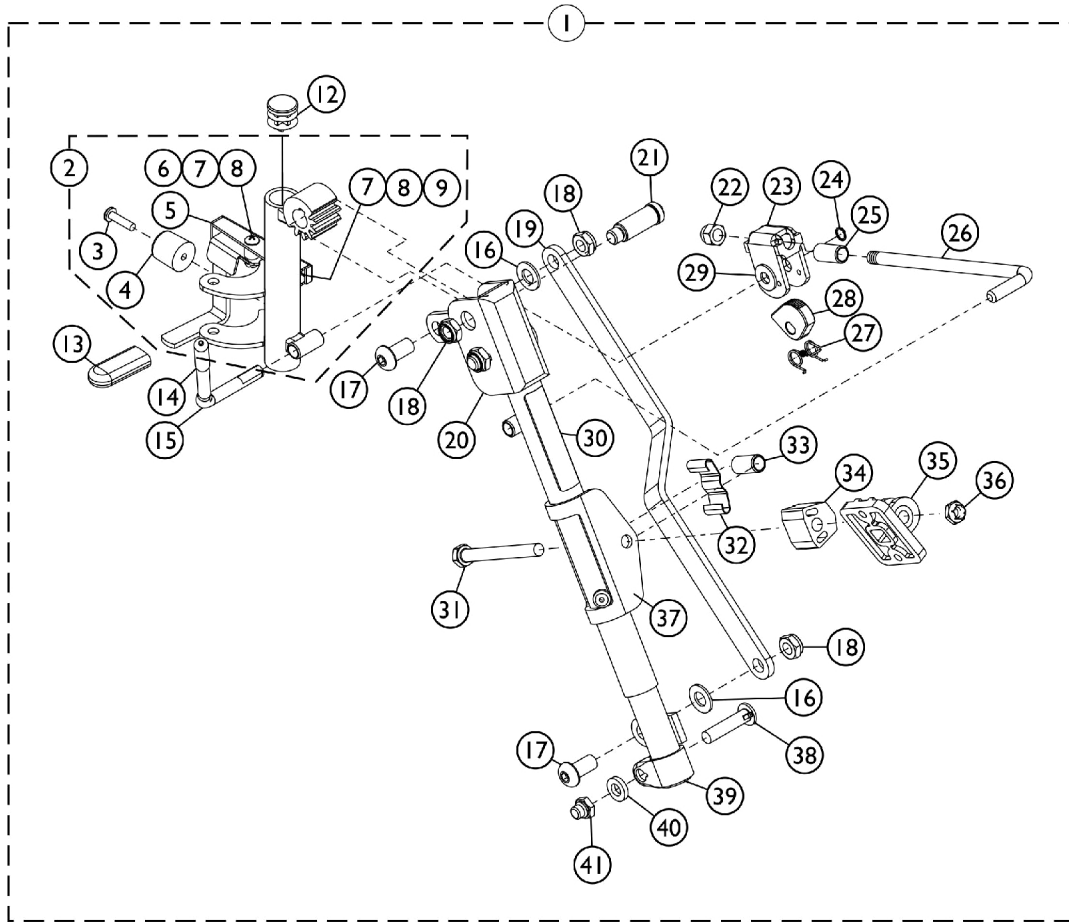
PH904A (Hemi) Legrest Supports

Due to a change to the Legrest Calf Pad size made on 4/23/12, you must also order the hardware kit (1066591) when ordering replacement Calf Pads.

Item Number	Note	Part Number	Description	Quantity Per	
				Package	Assembly
	A,C,H	8881114757	Legrest Support Assembly, Hemi, Color - Right	1	1
	A,C,H	8881114758	Legrest Support Assembly, Hemi, Color - Left	1	1
NOTE: A - Specify 34P flat black frame finish when ordering B - Specify upholstery color U67 black when ordering C - Not Shown D - Includes items 2-4 E - Includes items 1-9 F - Includes Screws and Instruction Sheet. G - Due to a change to the Legrest Calf Pad size made on 4/23/12, you must also order the hardware kit (1066591) when ordering replacement Calf Pads. H - Includes items 1-33 and 36.					

PHAL4A (Hemi) Articulating Legrest Supports Chrome

Due to a change to the Legrest Calf Pad size made on 4/23/12, you must also order the hardware kit (1068649) when ordering replacement Calf Pads.



SCP_001A

PHAL4A (Hemi) Articulating Legrest Supports Chrome

Due to a change to the Legrest Calf Pad size made on 4/23/12, you must also order the hardware kit (1068649) when ordering replacement Calf Pads.

Item Number	Note	Part Number	Description	Quantity Per	
				Package	Assembly
1	B	1114761	Legrest Support Assembly, Articulating, Hemi, Chrome - Right	1	1
1	B	1114762	Legrest Support Assembly, Articulating, Hemi, Chrome - Left	1	1
2	C,F	1114759-NLA	NLA - Tube, Legrest Support, Hemi, Chrome - Right	1	1
2	F	1114760	Tube, Legrest Support, Hemi, Chrome - Left	1	1
3		1030979	Screw, Phillips Pan Head Tap (#10-32 x 3/4")	1	1
4		1022874	Bumper	1	1
5		1114751-NLA	NLA - Handle, Release, Chrome - Right	1	1
5		1114752	Handle, Release, Chrome - Left	1	1
6		47565X057	Bushing (7/32 x 3/8 x 11/32")	1	1
7		60279X003	Locknut (#10-32)	1	1
8		40163X008	Screw, Phillips Pan Head (#10-32 x 11/16")	1	1
9		1008935	Spring, Release - Right	1	1
9		1008936	Spring, Release - Left	1	1
10		67005X000	Rivnut (#10-32)	1	1
11		40163X002	Screw, Phillips Round Head (#10-32 x 1/2")	1	1
12		1027097	Plug Button, Black (3/4")	1	1
13		1006490	Tip, Plastic, Black	1	1
14		1040060	Tip, Plastic, Black	1	1
15		1037126	Handle, Release	1	1
16		1049527	Washer, Nylon (3/8 x 3/4 x 1/16")	1	2
17		1022866-NLA	NLA - Screw, Socket Button Head (3/8-16 x 3/4")	1	2
18		40363X000	Hex Nut (3/8"-16)	1	3
19		1022846-NLA	NLA - Bar, Link, Black	1	1
20		1022877-NLA	NLA - Tube, Support and Drive Link, Chrome - Right	1	1
20		1022878-NLA	NLA - Tube, Support and Drive Link, Chrome - Left	1	1
21		1022854-NLA	NLA - Screw, Shoulder Slotted Head (1/2 x 1-1/8", 3/8-16)	1	1
22		10261X000	Nut, Acorn (5/16-24)	1	1
23		04528X002	Bracket, Release, Black	1	1
24		1040831	Ring, Snap	1	1
25		47328X003	Bushing, Pivot (5/16 x 7/16 x 7/8")	1	2
26		42326X004	Bar, Ratchet - Right/Left	1	1
27		1037485	Spring, Release	1	1
28		1037125	Cam, Legrest	1	1
29		1013519	Washer, Nylon (5/16 x 11/16 x 1/16")	1	1
30		1024911-NLA	NLA - Decal, Smartleg	1	1
31		1014807	Screw, Hex Head (5/16-24 x 3-1/4")	1	1
32		48823X008	Spring, Leaf	1	1
33		47328X003	Bushing, Pivot (5/16 x 7/16 x 7/8")	1	1
34		1025133	Spacer, Legrest Pad, Black	1	1

PHAL4A (Hemi) Articulating Legrest Supports Chrome

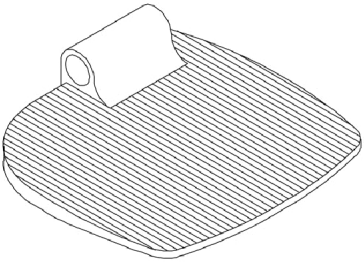
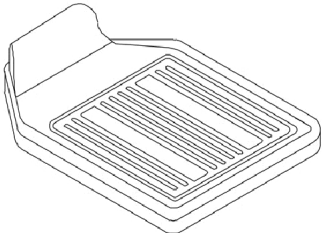
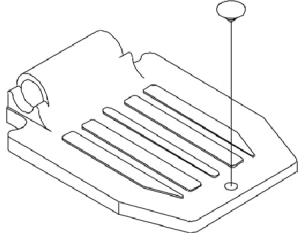
Due to a change to the Legrest Calf Pad size made on 4/23/12, you must also order the hardware kit (1068649) when ordering replacement Calf Pads.

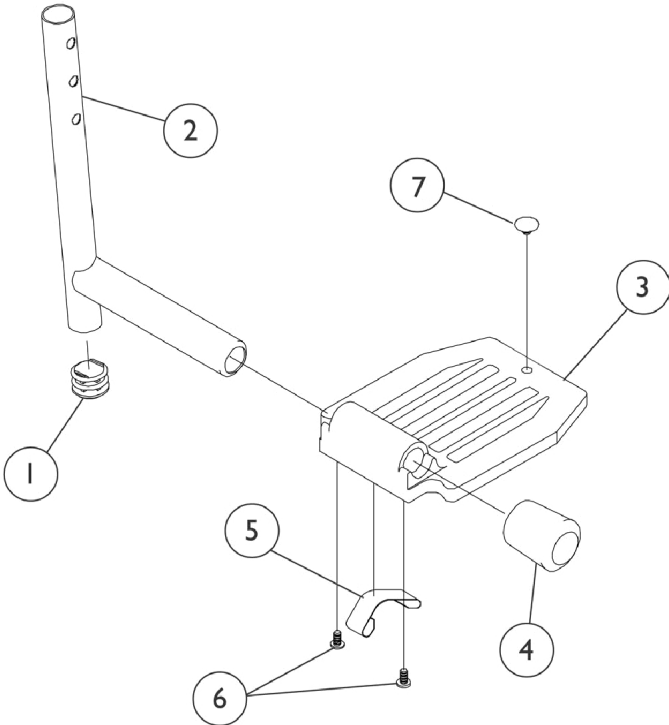
Item Number	Note	Part Number	Description	Quantity Per	
				Package	Assembly
35		04526X019	Plate, Legrest Pad	1	1
36		60264X001	Locknut (5/16-24)	1	1
37		1025104	Bracket, Legrest, Chrome	1	1
38		11232X009	Bolt, Lug (5/16-24 x 1-3/8")	1	1
39		1022848	Tube, Slide, Articulating, Chrome - Right	1	1
39		1022849	Tube, Slide, Articulating, Chrome - Left	1	1
40		1027377	Washer (#20)	1	1
41		1107321	Nut, Low Cap (5/16"-24)	1	1
42	A,E	8881091764	Pad, Legrest, Vinyl - Right/Left	1	1
43	D	1068649	Hardware, Legrest Pad	1	1
			Screw, Phillips Pan Head (#10-32 x 11/16")	1	2
			Screw, Phillips Pan Head (#10-32 x 1")	1	2
			Instruction Sheet, Legrest Pad Mtg.	1	1

NOTE: A - Specify upholstery color U67 black when ordering.
 B - Includes items 3-41
 C - No Longer Available individually. See part # 1114761 for replacement.
 D - Item Includes Screws and Instruction Sheet.
 E - Due to a change to the Legrest Calf Pad size made on 4/23/12, you must also order the hardware kit (1068649) when ordering replacement Calf Pads.
 F - Includes items 3-9.

Pivot/Slide Tube and Footplate PHW93

**Heel loops are not included. See footrest and legrest accessories.
For complete pivot/slide tube and footplate assemblies, see front riggings reference chart.**

		
<p>1350 Extra large</p>	<p>1450 Deluxe</p>	<p>1650 Standard Aluminum</p>



Pivot/Slide Tube and Footplate PHW93

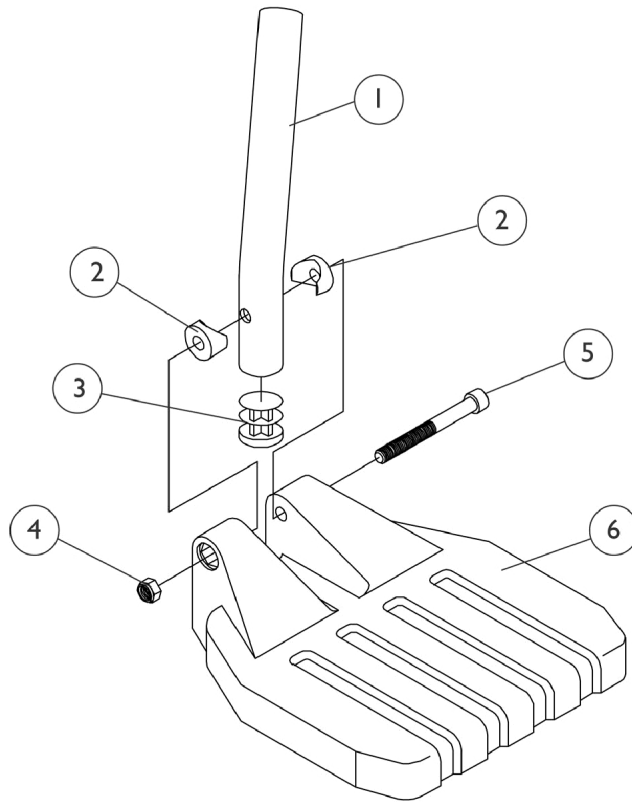
**Heel loops are not included. See footrest and legrest accessories.
For complete pivot/slide tube and footplate assemblies, see front riggings reference chart.**

Item Number	Note	Part Number	Description	Quantity Per	
				Package	Assembly
1		1027097	Plug Button, Black (3/4")	1	2
2	C,A	1048834	Pivot/Slide Tube w/ Plug Button, Black	1	1
2	C,A	1098906	Pivot/Slide Tube w/ Plug Button, Black (2" Longer)	1	1
2	C,A	1086482	Pivot/Slide Tube w/ Plug Button, Black (4" Longer)	1	1
2	B	1070762-NLA	NLA - Tube, Pivot/Slide w/ Plug Button, Deluxe Aluminum, Black	1	1
3	A	44200X027	Footplate, Aluminum, Medium, Black (7-3/4" W x 6" L)	1	1
3	B	1043659-NLA	NLA - Footplate, Aluminum, Deluxe, Black - Right (8" W x 5-3/4" L)	1	1
3	B	1043660-NLA	NLA - Footplate, Aluminum, Deluxe, Black - Left (8" W x 5-3/4" L)	1	1
3	C	44200X025	Footplate, Aluminum, Extra Large, Black - Right (8" W x 8-1/2" L)	1	1
3	C	44200X026	Footplate, Aluminum, Extra Large, Black - Left (8" W x 8-1/2" L)	1	1
4	A	1016346	Cap, End, Tube, Black (7/8")	1	1
4	C	1027095	Plug Button, Black (7/8")	1	1
5	D,A	1006981	Spring, Tension	1	2
5	D,B	1036120-NLA	NLA - Spring	1	2
5	C,F	1036123	Spring, Leaf	1	1
6	E	40120X001	Screw, Phillips Pan Head (#8-32 x 3/8")	1	2
7		1070168	Plug, Push, Footplate	1	1
NOTE: A - Standard Aluminum (1650) B - Deluxe Aluminum (1450) C - Extra Large Aluminum (1350) D - Two per side E - Deluxe takes one F - Use one or more leaf springs per assembly as required such that footplate may be moved by hand to the up-right position and remain in place.					

Pivot/Slide Tube and Composite Footplate PHW93

NOTE: Heel Loops are not included. See footrest and legrest accessories.

NOTE: For complete pivot slide tube and footplate assemblies, see front riggings reference chart.

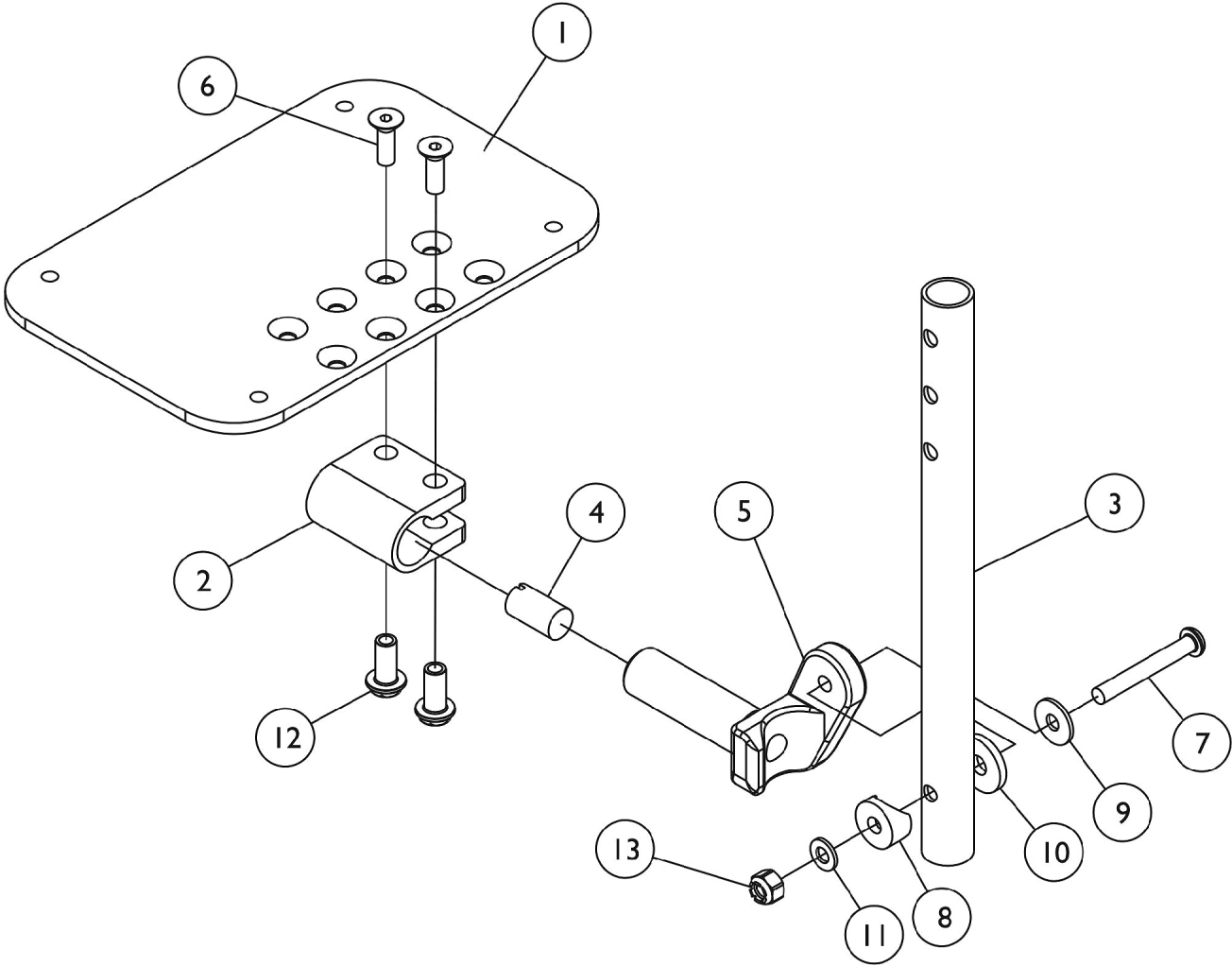


Item Number	Note	Part Number	Description	Quantity Per	
				Package	Assembly
1		1057852	Tube, Pivot/Slide, Curved End, Steel, Black (9-7/8")	1	1
2		1025457	Spacer, Coved (1/4 x 3/4 x 11/32")	1	2
3		1027097	Plug Button, Black (3/4")	1	1
4		1025195	Locknut (1/4-20)	1	1
5		60285X006	Screw, Socket Head (1/4-20 x 2-1/4")	1	1
6	A	1026880	Footplate, Composite, Medium, Black (7" W x 6" L)	1	1
6	B	1026881	Footplate, Composite, Large, Black (8" W x 6" L)	1	1

NOTE: A - 16" Wide chairs
B - 17-22" Wide chairs

AT5543 Adjustable Angle Footplates PHW93

Heel Loops are not included. See footrest and legrest accessories.
For complete pivot/slide tube and footplate assemblies, see front riggings reference charts.



AT5543 Adjustable Angle Footplates PHW93

Heel Loops are not included. See footrest and legrest accessories.

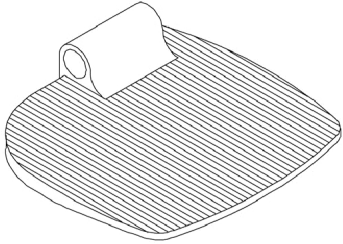
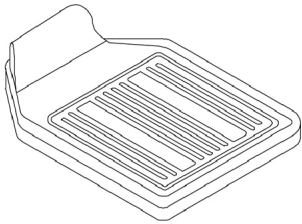
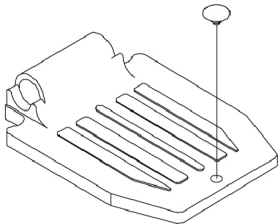
For complete pivot/slide tube and footplate assemblies, see front riggings reference charts.

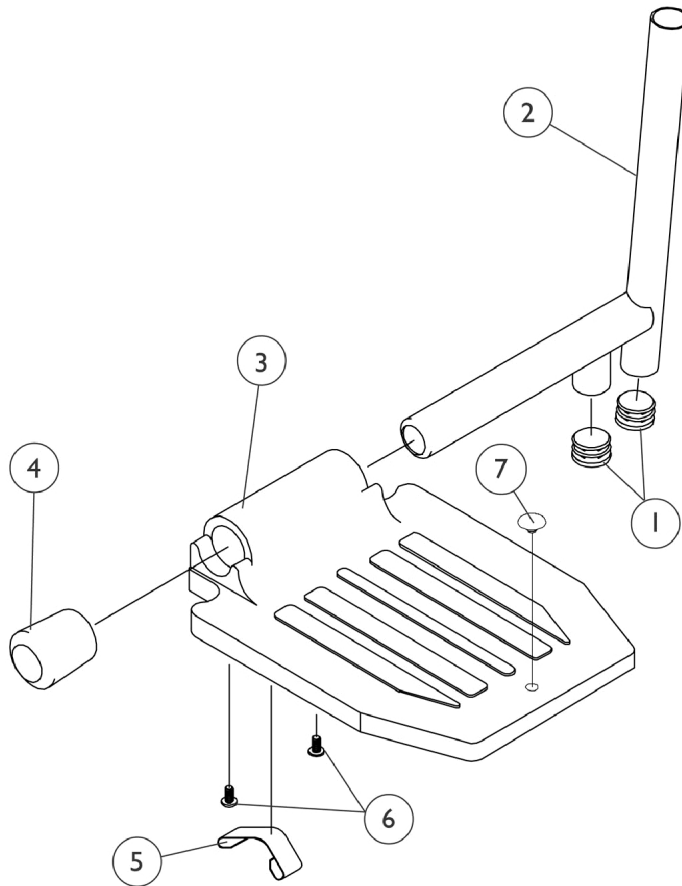
Item Number	Note	Part Number	Description	Quantity Per	
				Package	Assembly
1	A	1113574	Footplate, Adjustable Angle, Extra Large, Black (6-1/4" W x 8" L)	1	1
2		1058517	Clamp, Footplate	1	1
3		1057855	Tube, Pivot and Slide, Straight, Steel, Black (9-7/8" L)	1	1
3		1057856	Tube, Pivot/Slide, Straight, Steel, Black (11-7/8" L)	1	1
4		1048816	Screw, Nylon Adjustment (1/2-13 x 7/8")	1	1
5		1052102	Hinge, Footplate - Right	1	1
5		1052103	Hinge, Footplate - Left	1	1
6		1029545	Screw, Socket Flat Head (1/4-20 x 3/4")	1	2
7		1022831	Screw, Socket Button Head (1/4-20 x 1-7/8")	1	1
8		1025457	Spacer, Coved (1/4 x 3/4 x 11/32")	1	1
9		1026900	Washer (1/4 x 23/32 x 1/16")	1	1
10		1016301	Washer, Nylon (5/16 x 7/8 x 1/8")	1	1
11		1026907	Washer (1/4 x 1/2 x 1/16")	1	1
12		1082686	Nut, Barrel, Hex Head (1/4-20 x 11/16")	1	2
13		1025736	Locknut (1/4-20)	1	1

NOTE: A - This footplate was revised 9/2/2008 with rounder corners and accessory holes changed from 8 to 4. Recommended to replace footplate in pairs to match sides.

Pivot/Slide Tube and Footplates PH904A and PHAL4A

Heel loops are not included. See footrest and legrest accessories.
For complete pivot/slide tube and footplate assemblies, see front riggings reference chart.

		
1350 Extra large	1450 Deluxe	1650 Standard Aluminum



Pivot/Slide Tube and Footplates

PH904A and PHAL4A

Heel loops are not included. See footrest and legrest accessories.

For complete pivot/slide tube and footplate assemblies, see front riggings reference chart.

Item Number	Note	Part Number	Description	Quantity Per	
				Package	Assembly
1		1027097	Plug Button, Black (3/4")	1	2
2	A,B,D	1100568-NLA	NLA - Pivot/Slide Tube w/ Plug Button, Black	1	1
2	A,B,D	1100569-NLA	NLA - Pivot/Slide Tube Assembly, Extra Large, Standard Aluminium - 2" Longer, Black	1	1
2	A,B,D	1100570-NLA	NLA - Pivot/Slide Tube w/ Plug Button, Black (4" Longer)	1	1
2	A,B,E	1041526	Pivot/Slide Tube w/ Plug Button Assembly, Chrome	1	1
2	C,D	1100571-NLA	NLA - Pivot/Slide Tube w/ Plug Button, Deluxe, Black	1	1
2	C,E,H	1023804-NLA	NLA - Pivot/Slide Tube w/ Plug Button, Deluxe, Chrome	1	1
3	A	44200X027	Footplate, Aluminum, Medium, Black (7-3/4" W x 6" L)	1	1
3	C	1043659-NLA	NLA - Footplate, Aluminum, Deluxe, Black - Right (8" W x 5-3/4" L)	1	1
3	C	1043660-NLA	NLA - Footplate, Aluminum, Deluxe, Black - Left (8" W x 5-3/4" L)	1	1
3	B	44200X025	Footplate, Aluminum, Extra Large, Black - Right (8" W x 8-1/2" L)	1	1
3	B	44200X026	Footplate, Aluminum, Extra Large, Black - Left (8" W x 8-1/2" L)	1	1
4	A	1016346	Cap, End, Tube, Black (7/8")	1	1
4	B	1027095	Plug Button, Black (7/8")	1	1
5	A	1006981	Spring, Tension	1	1
5	C,F	1036120-NLA	NLA - Spring	1	1
5	B,I	1036123	Spring, Leaf	1	1
6	G	40120X001	Screw, Phillips Pan Head (#8-32 x 3/8")	1	2
7		1070168	Plug, Push, Footplate	1	1

NOTE: A - Standard Aluminum (1650)
 B - Extra Large Aluminum (1350)
 C - Deluxe Aluminum (1450)
 D - PH904A
 E - PHAL4A
 F - Two per side
 G - Deluxe takes one
 H - Part #1023804 is no longer available as a service part individually. See category titled "Front Riggings - Reference Chart" and order part #1023924 or 1023925 Pivot/Slide Tube and Footplate Assembly (Deluxe Aluminum - 1450) as a replacement.
 I - Use one or more leaf springs per assembly as required such that footplate may be moved by hand to the up-right position and remain in place.

Footrest and Legrest Accessories

Item Number	Note	Part Number	Description	Quantity Per	
				Package	Assembly
	A,C	1032243	Strap, Calf w/ Hook and Loop (36" L)	1	1
	A,D	1032215	H-Strap (26" L)	1	1
	A,E	1032216	H-Strap (31" L)	1	1
	A,F	1026987	Guard, Impact (8" L)	1	2
	A	See Chart	Heel Loops and Hardware (Not Including AT5543)	1	1
	A	See Chart	Attaching Hardware Part Numbers (Not Including AT5543)	1	1
	A	See Chart	AT5543 Heel Loops, Heel Loops w/ Ankle Straps and Hardware	1	1
	A	See Chart	Toe Loops and Hardware	1	1

NOTE: A - Not Shown.
 C - 16"-22" Wide
 D - 16" Wide
 E - 17"-22" Wide
 F - For 70 deg. Tapered Footrest.

Footplate Type	Chair Width	Heel Loop Single #	Heel Loop Pair #	Heel Loop w/ Ankle Strap Single # Rt.	Heel Loop w/ Ankle Strap Single # Lt.	Heel Loop w/ Ankle Strap Pair #	Attaching Hardware Pair #
Standard Aluminum (1650)	16-22" W	1017621	1035917-NLA	1035919	1035920	1035918	1035907
Deluxe Aluminum (1450)	16-22" W	1017621	1035917-NLA	1035919	1035920	1035918	1086112-NLA
X-Large Aluminum (1350)	16-22" W	1017621	1035917-NLA	1035919	1035920	1035918	1055241
Composite (1651)	16" Wide	1017621	1035917-NLA	1035919	1035920	1035918	1035931
Composite (1651)	17"-22" Wide	1017621	1035917-NLA	1035932-NLA	1035933-NLA	1035930	1035931

Attaching Hardware Part Numbers (Not Including AT5543)

Footplate Type	Part Number	Part Number Consists of
----------------	-------------	-------------------------

Footrest and Legrest Accessories

Attaching Hardware Part Numbers (Not Including AT5543)

Footplate Type	Part Number	Part Number Consists of
Standard Aluminum (1650)	1035907	(2) Screw, Phillips Pan Head (1/4-20 x 2-1/2") (2) Spacer (1/4 x 11/32 x 1-3/4") (2) Locknut (1/4-20)
Deluxe Aluminum (1450)	1086112-NLA	(2) Screw, Phillips Pan Head (1/4-20 x 2-1/2") (2) Spacer (1/4 x 11/32 x 1-3/4") (2) Locknut (1/4-20)
X-Large Aluminum (1350)	1055241	(2) Screw, Phillips Pan Head (1/4-20 x 2-1/4") (2) Spacer (1/4 x 11/32 x 1-3/4") (2) Locknut (1/4-20)
Composite (1651)	1035931	(2) Screw, Phillips Pan Head (1/4-20 x 2-1/4") (2) Spacer (1/4 x 11/32 x 1-3/4") (2) Hex Nut w/ Nylon Cap (1/4-20) (2) Flat Washer (1/4 x 5/8 x 1/16")

Footrest and Legrest Accessories

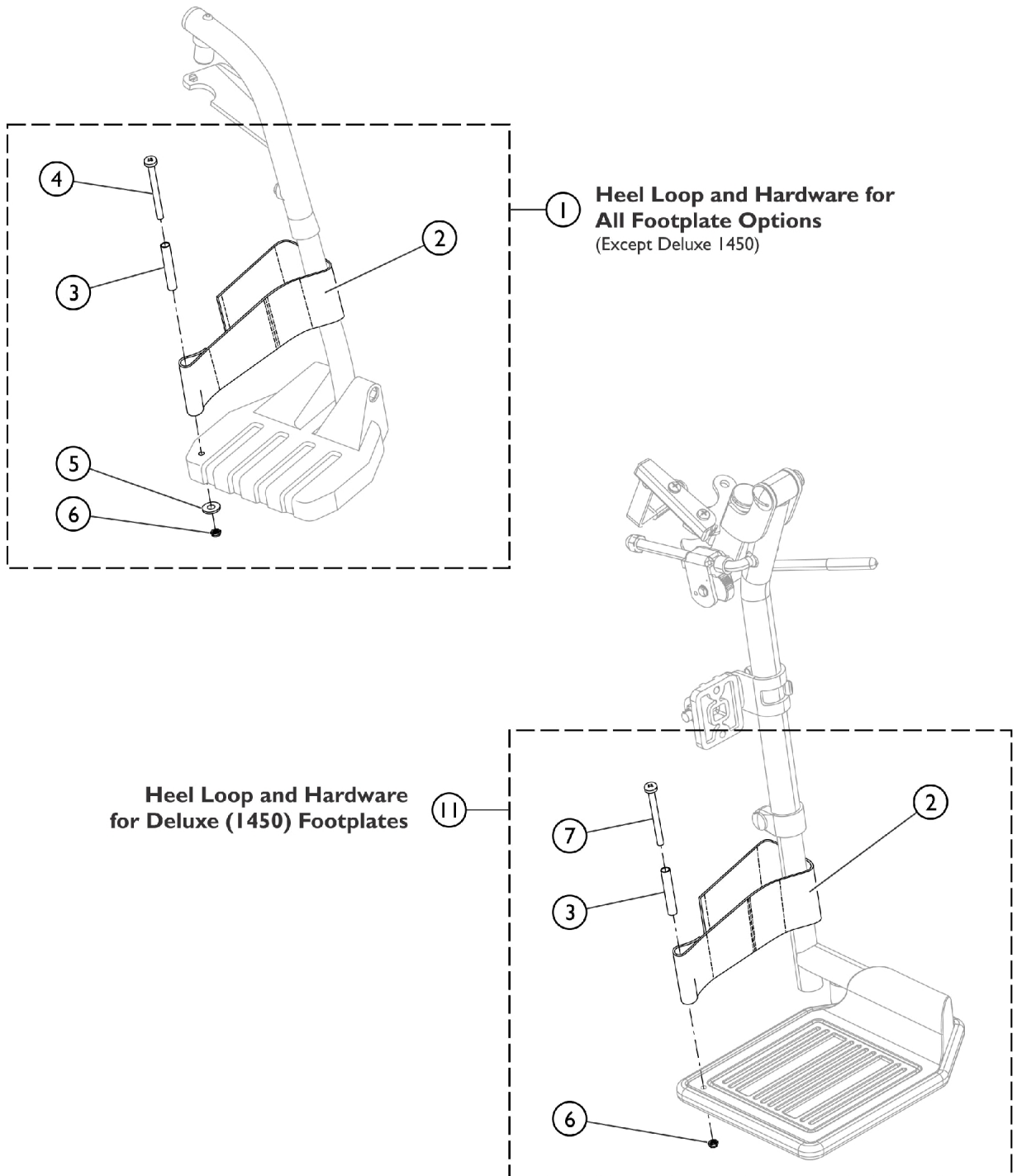
AT5543 Heel Loops, Heel Loops w/ Ankle Straps and Hardware

Footplate Type	Part Number	Part Number Consists of
AT5543 Adj. Angle	1160723 Kit, Heel Loop w/ Hardware, Adjustable Angle Footplate (Pair)	(2) Heel Loops (4) Screw, Phillips Pan Head (1/4-20 x 2-1/4") (4) Spacer (4) Locknut (1/4-20)
AT5543 Adj. Angle	1160724 Kit, Heel Loop w/ Ankle Strap and Hardware, Adjustable Angle Footplate (Pair)	(2) Heel Loops w/ Ankle Straps (4) Screw, Phillips Pan Head (1/4-20 x 2-1/4") (4) Spacer (4) Locknut (1/4-20)
Attaching Hardware Only	1035931 Kit, Heel Loop Attaching Hardware (Pair)	(2) Screw, Phillips Pan Head (1/4-20 x 2-1/4") (2) Spacer (1/4 x 11/32 x 1-3/4") (2) Hex Nut w/ Nylon Cap (1/4-20) (2) Flat Washer (1/4 x 5/8 x 1/16")

Toe Loops (1345) and Attaching Hardware

Footplate Type	Toe Loop w/o Hardware Single #	Toe Loop w/o Hardware Pair #	Attaching Hardware Part Number	Attaching Hardware Consists of
1651, 1650, 1450, 1350, Footplates	04572X025	1037087	1037089	(4) Screw, Phillips Pan Head (10-32 x 7/8") (4) Washer (1/4 x 3/4 x 3/32") (4) Locknut (10-32)
AT5543 Footplates	04572X025	1037087	1104749	(4) Screw, Phillips Pan Head (10-32 x 1/2") (4) Washer (1/4 x 3/4 x 3/32")

Front Riggings - Adjustable Heel Loops



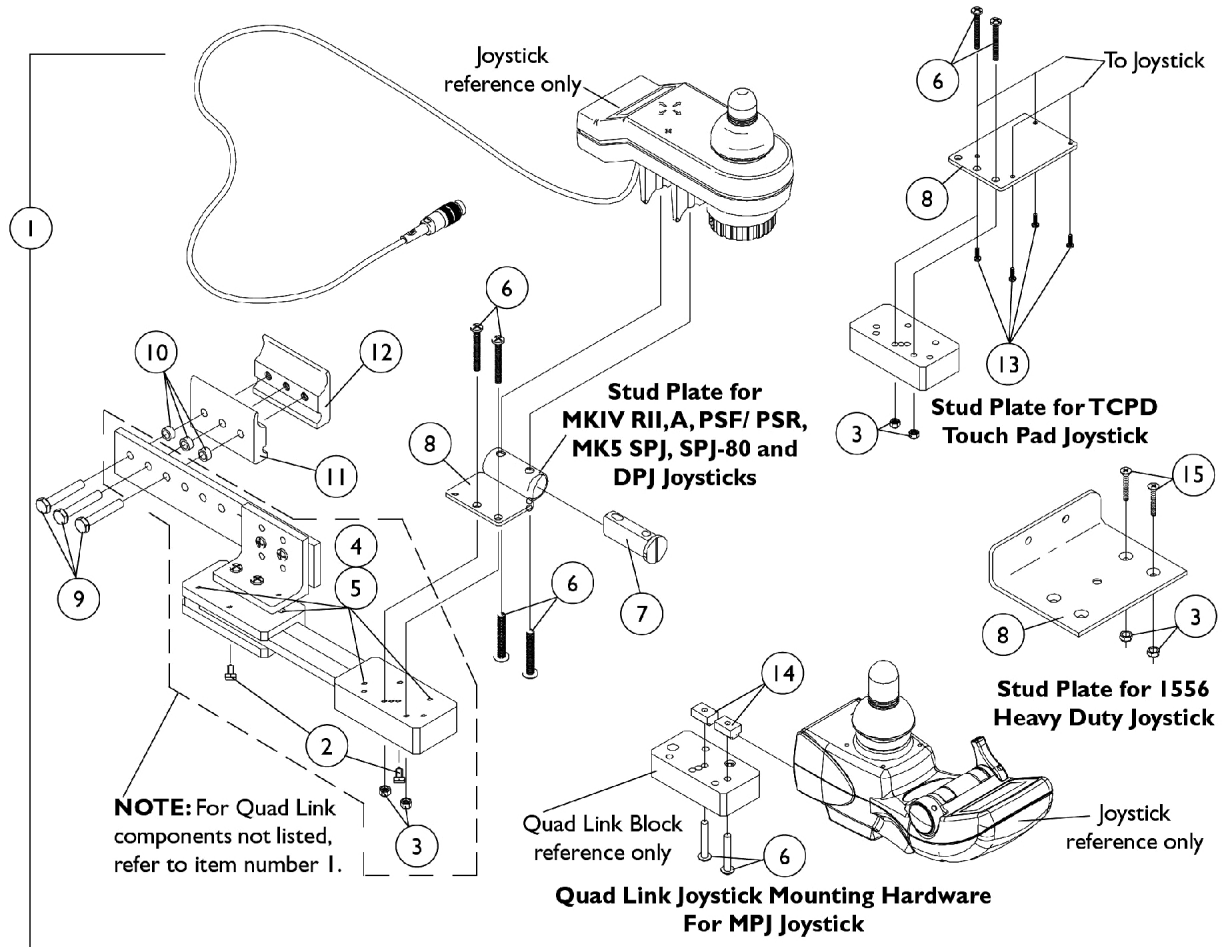
SCM_058A

Front Riggings - Adjustable Heel Loops

Item Number	Note	Part Number	Description	Quantity Per	
				Package	Assembly
1	A	1191117	Kit, Heel Loop, Adjustable w/ Hardware (Pair)	1	1
2			Heel Loop	1	2
3			NLA - Spacer (1/4 x 11/32 x 1-3/4")	1	2
4			NLA - Screw, Phillips Pan Head (1/4-20 x 2-1/4")	1	2
5			Washer, Flat (1/4 x 5/8 x 1/16")	1	2
6			Nut, Hex, Nylon Cap (1/4-20)	1	2
			Instruction Sheet, Adjustable Heel Loop	1	1
11	B	1191116	Kit, Heel Loop, Adjustable w/ Hardware, Deluxe 1450 (Pair)	1	1
2			Heel Loop	1	2
3			NLA - Spacer (1/4 x 11/32 x 1-3/4")	1	2
6			Nut, Hex, Nylon Cap (1/4-20)	1	2
7			NLA - Screw, Phillips Pan Head (1/4-20 x 2-1/2")	1	2
			Instruction Sheet, Adjustable Heel Loop	1	1

NOTE: A - Kit includes items 2 - 6. Used with All Footplates except Deluxe (1450).
 B - Kit includes items 2, 3, 6, and item 7. Used with Deluxe (1450) Footplates only.

Quad Link Assembly (QLA) (Before 4/07/06)



Quad Link Assembly (QLA) (Before 4/07/06)

Item Number	Note	Part Number	Description	Quantity Per	
				Package	Assembly
1	A	1052402-NLA	NLA - Kit, Quad Link Assembly - Right	1	1
2			NLA - Ball Plunger Assembly with Lock Washer	2	1
3			Locknut (#10-32)	1	2
4			NLA - Screw, Cap, Socket Head (#10-32 x 1/2")	1	4
5			NLA - Bushing, Bronze (3/16 x 1/4 x 1/4")	1	4
6			Screw, Phillips Pan Head (#10-32 x 1-1/8")	1	4
7			Spacer, Joystick Tube, Black	1	1
8			NLA - Stud Plate, Quad Link	1	1
9			Screw, Hex Head (1/4-20 x 1-1/2")	1	3
10			NLA - Spacer (1/4 x 3/8 x 3/16")	1	3
11		Half Clamp, Non-Threaded Holes	1	1	
12		NLA - Half Clamp, Threaded Holes	1	1	
1	A	1115372-NLA	NLA - Kit, Quad Link Assembly - Left	1	1
2			NLA - Ball Plunger Assembly with Lock Washer	2	1
3			Locknut (#10-32)	1	2
4			NLA - Screw, Cap, Socket Head (#10-32 x 1/2")	1	4
5			NLA - Bushing, Bronze (3/16 x 1/4 x 1/4")	1	4
6			Screw, Phillips Pan Head (#10-32 x 1-1/8")	1	4
7			Spacer, Joystick Tube, Black	1	1
8			NLA - Stud Plate, Quad Link	1	1
9			Screw, Hex Head (1/4-20 x 1-1/2")	1	3
10			NLA - Spacer (1/4 x 3/8 x 3/16")	1	3
11		Half Clamp, Non-Threaded Holes	1	1	
12		NLA - Half Clamp, Threaded Holes	1	1	
1	B	1102027-NLA	NLA - Kit, Quad Link Assembly - Right For TCHJOY/TCPDM4 Touchpad	1	1
2			NLA - Ball Plunger Assembly with Lock Washer	2	1
3			Locknut (#10-32)	1	2
4			NLA - Screw, Cap, Socket Head (#10-32 x 1/2")	1	4
5			NLA - Bushing, Bronze (3/16 x 1/4 x 1/4")	1	4
6			Screw, Phillips Pan Head (#10-32 x 1-1/8")	1	4
8			NLA - Plate, Stud, Quad Link MKIV TCHJOY/TCPDM4	1	1
9			Screw, Hex Head (1/4-20 x 1-1/2")	1	3
10			NLA - Spacer (1/4 x 3/8 x 3/16")	1	3
11			Half Clamp, Non-Threaded Holes	1	1
12		NLA - Half Clamp, Threaded Holes	1	1	
13		NLA - Screw, Phillips Flat Head Countersunk (#4-40 x 3/8")	1	4	
1	C,E	1034703-NLA	NLA - Kit, Quad Link Assembly - Right	1	1
2			NLA - Ball Plunger Assembly with Lock Washer	2	1
3			Locknut (#10-32)	1	2
4			NLA - Screw, Cap, Socket Head (#10-32 x 1/2")	1	4
5			NLA - Bushing, Bronze (3/16 x 1/4 x 1/4")	1	4

Quad Link Assembly (QLA) (Before 4/07/06)

Item Number	Note	Part Number	Description	Quantity Per	
				Package	Assembly
8			Plate, Stud, Quad Link For 1556 Heavy Duty Joystick	1	1
9			Screw, Hex Head (1/4-20 x 1-1/2")	1	3
10			NLA - Spacer (1/4 x 3/8 x 3/16")	1	3
11			Half Clamp, Non-Threaded Holes	1	1
12			NLA - Half Clamp, Threaded Holes	1	1
15			Screw, Phillips Flat Head (#10-32 x 1-1/8")	1	2
1	C	1114866-NLA	NLA - Kit, Quad Link Assembly - Left	1	1
2			NLA - Ball Plunger Assembly with Lock Washer	2	1
3			Locknut (#10-32)	1	2
4			NLA - Screw, Cap, Socket Head (#10-32 x 1/2")	1	4
5			NLA - Bushing, Bronze (3/16 x 1/4 x 1/4")	1	4
8			Plate, Stud, Quad Link For 1556 Heavy Duty Joystick	1	1
9			Screw, Hex Head (1/4-20 x 1-1/2")	1	3
10			NLA - Spacer (1/4 x 3/8 x 3/16")	1	3
11			Half Clamp, Non-Threaded Holes	1	1
12			NLA - Half Clamp, Threaded Holes	1	1
15			Screw, Phillips Flat Head (#10-32 x 1-1/8")	1	2
1	D	1117278-NLA	NLA - Kit, Quad Link Assembly - Right	1	1
2			NLA - Ball Plunger Assembly with Lock Washer	2	1
3			Locknut (#10-32)	1	2
4			NLA - Screw, Cap, Socket Head (#10-32 x 1/2")	1	4
5			NLA - Bushing, Bronze (3/16 x 1/4 x 1/4")	1	4
6			Screw, Phillips Pan Head (#10-32 x 1-1/8")	1	2
9			Screw, Hex Head (1/4-20 x 1-1/2")	1	3
10			NLA - Spacer (1/4 x 3/8 x 3/16")	1	3
11			Half Clamp, Non-Threaded Holes	1	1
12			NLA - Half Clamp, Threaded Holes	1	1
14			NLA - T-Nut (#10-32)	1	2
1	D	1117239-NLA	NLA - Kit, Quad Link Assembly - Left	1	1
2			NLA - Ball Plunger Assembly with Lock Washer	2	1
3			Locknut (#10-32)	1	2
4			NLA - Screw, Cap, Socket Head (#10-32 x 1/2")	1	4
5			NLA - Bushing, Bronze (3/16 x 1/4 x 1/4")	1	4
6			Screw, Phillips Pan Head (#10-32 x 1-1/8")	1	2
9			Screw, Hex Head (1/4-20 x 1-1/2")	1	3
10			NLA - Spacer (1/4 x 3/8 x 3/16")	1	3
11			Half Clamp, Non-Threaded Holes	1	1
12			NLA - Half Clamp, Threaded Holes	1	1
14			NLA - T-Nut (#10-32)	1	2
2		1114863-NLA	NLA - Ball Plunger Assembly with Lock Washer	2	1

Quad Link Assembly (QLA) (Before 4/07/06)

NOTE: A - Includes the Quad Link, items 2-12 and used with MKIV RII, A, PSF/PSR, MK5 SPJ, SPJ-80, DPJ joysticks
B - Includes the Quad Link, items 2-6, 8-13 and used with MKIV TCHJOY/TCPDM4 joysticks. For left side mounted Quad Link, order as a special
C - Includes the Quad Link, items 2-5, 8-12, 15 and used with a 1556 Heavy Duty joystick
D - Includes Quad Link with items 2-6, 9-12, 14 and used with a MPJ joystick
E - Quad Link Assembly is no longer available. Please see Quad Link Assembly (After 4/06/06) category and use new Quad Link design as a replacement.

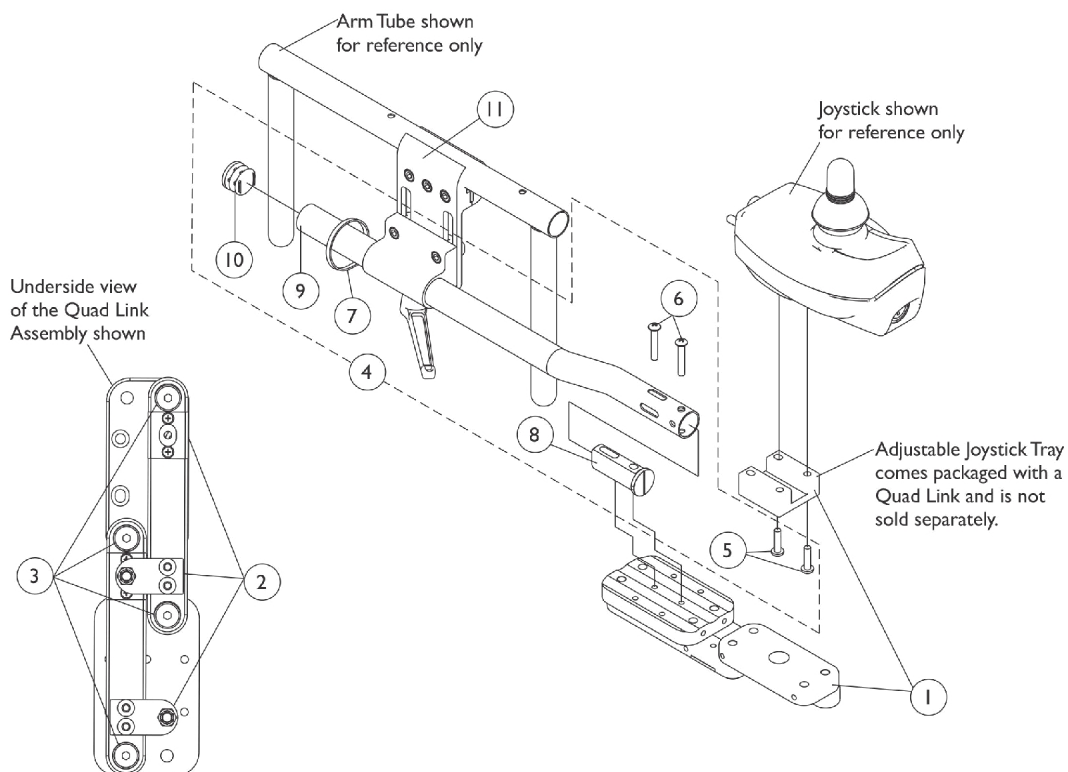
Quad Link Assembly (QLA)

(After 4/06/06)

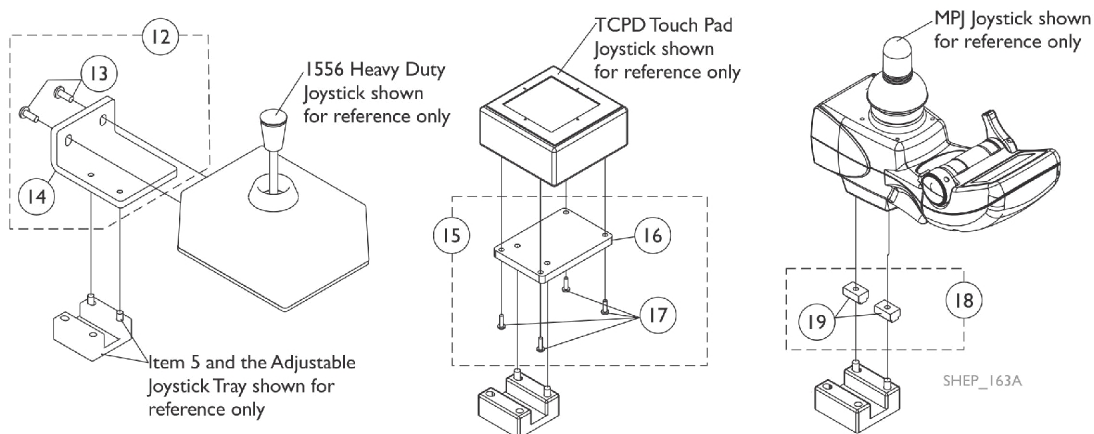
When converting an old style Quad Link that attaches to a mounting plate or (a Flex Tube or Touch Pad Joystick Tube) is currently on the chair then order the following:

Quad Link Mtg. Hdwr. (item 4), Quad Link (item 1) & Ht. Adj. Joystick Tube Clamp (item 11)

NOTE: Substitute (item 4) with 2 ea. of the PPH Screws (item 5) when an offset joystick tube is currently on the chair. Additional Joystick Mtg. Hdwr. must be ordered when a 1556 Heavy Duty, TCPD Touch Pad or MPJ joystick are used.



Screw Fastener and Quad Link Latch Hardware



Quad Link Assembly (QLA) (After 4/06/06)

When converting an old style Quad Link that attaches to a mounting plate or (a Flex Tube or Touch Pad Joystick Tube) is currently on the chair then order the following:

Quad Link Mtg. Hdwr. (item 4), Quad Link (item 1) & Ht. Adj. Joystick Tube Clamp (item 11)

NOTE: Substitute (item 4) with 2 ea. of the PPH Screws (item 5) when an offset joystick tube is currently on the chair. Additional Joystick Mtg. Hdwr. must be ordered when a 1556 Heavy Duty, TCPD Touch Pad or MPJ joystick are used.

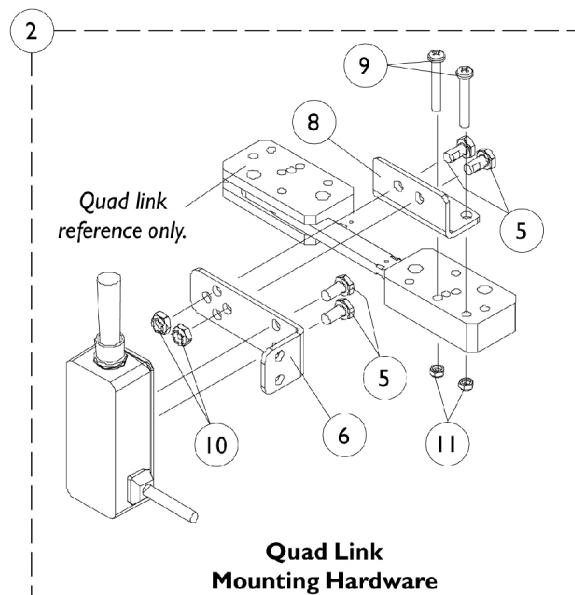
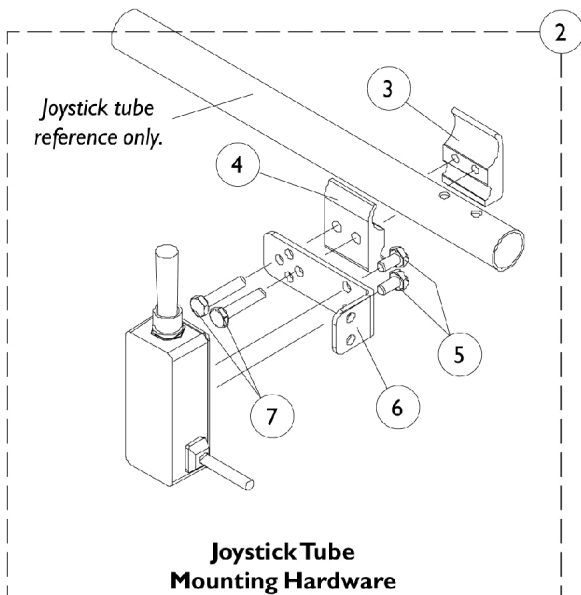
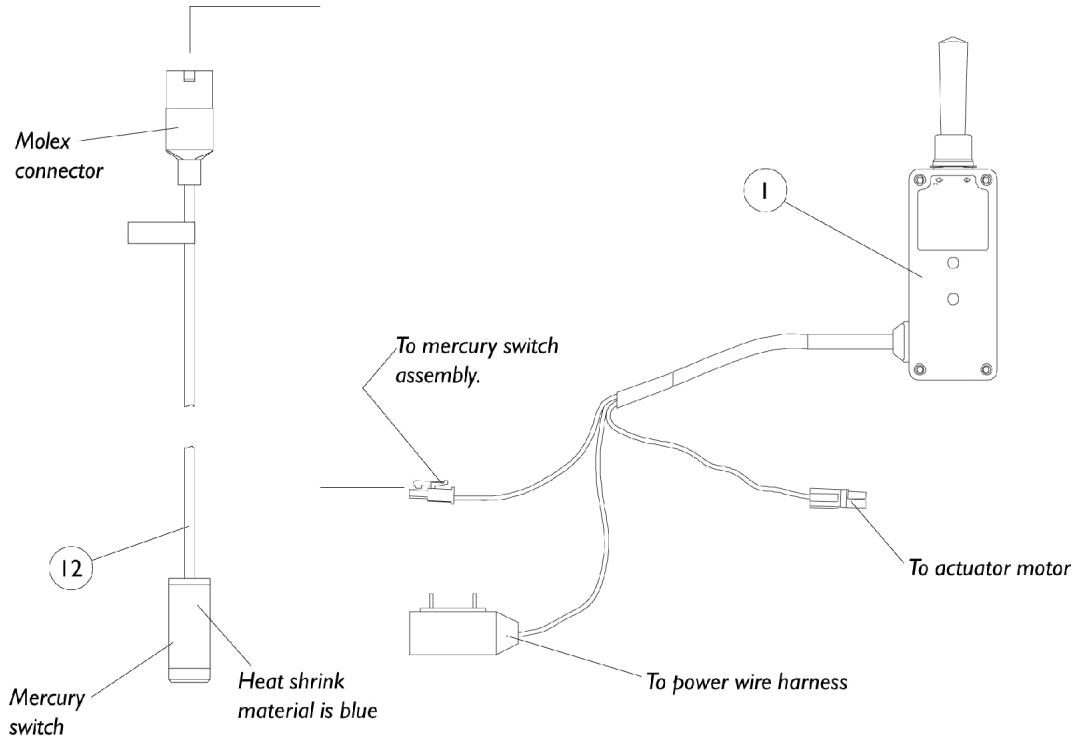
Item Number	Note	Part Number	Description	Quantity Per	
				Package	Assembly
1	G	1140896	Quad Link w/ Adjustable Joystick Tray (QLA) and Instruction Sheet - Right	1	1
1	G	1140897	Quad Link w/ Adjustable Joystick Tray (QLA) and Instruction Sheet - Left	1	1
2	A	1140425	Kit, Quad Link Latch Hardware	1	1
3	B	1140424-NLA	NLA - Kit, Quad Link Screw Fastener Hardware	1	1
4	C,C1	1139416	Kit, ASBA/ADJASBA Quad Link Mounting Hardware	1	1
5			Screw, Phillips Pan Head w/ Patch (#10-32 x 3/4")	1	2
6			Screw, Phillips Pan Head (#10-32 x 1-1/8")	1	2
7			Tie Wrap (11-1/2" L)	1	1
8			Spacer, Joystick Tube, Black	1	1
9			Tube, Joystick Offset (1/2")	1	1
10			Plug Button, Black (7/8")	1	1
5		1105414	Screw, Phillips Pan Head w/ Patch (#10-32 x 3/4")	1	2
11		1139422	Clamp, Height Adjustable Joystick Tube (ARM250)	1	1
12	D	1139925-NLA	NLA - Kit, 1556 Heavy Duty Joystick To Quad Link Mounting Hardware	1	1
13			Screw, Phillips Pan Head (#10-32 x 1/2")	1	2
14			NLA - Plate, 1556 HD Joystick Quad Link	1	1
15	E	1139683-NLA	NLA - Kit, TCPD Touch Pad To Quad Link Mounting Hardware	1	1
16			Plate, TCPD Touch Pad Quad Link	1	1
17			Screw, Phillips Pan Head (#4-40 x 3/8")	1	4
18	F	1139682-NLA	NLA - Kit, MPJ Joystick To Quad Link Mounting Hardware	1	1
19			NLA - T-Nut (#10-32)	1	2
	H	1134844	Instruction Sheet, Quad Link	1	1

NOTE: A - Latch Kit includes 4 ea. Button Head Cap Screws (10-32 x 3/8"), 2 ea. Latch Spring Assembly, 4 ea. Phillips Flat C'Sunk Head Screws, 2 ea. Spring Catch Plates, 2 ea. Socket Head Set Screws (10-32 x 3/8")
 B - Screw Fastener Kit includes 4 ea. Socket Head Shoulder Screws (3/8 x 3/8"), 2 ea. Socket Head Cap Screws (1/4-20 x 3/8"), 2 ea. Socket Head Set Screws (1/4-20 x 1/2"), 4 ea. Socket Head Set Screws (10-32 x 1/8")
 C - Includes items 5-10. The Quad Link Mounting Hardware accommodates MK5 SPJ-80, DPJ, MPJ, and PSF/PSR joysticks.
 C1 - When ordering the Quad Link for the first time, Additional hardware is required for 1556 Heavy Duty, TCPD Touch Pad joysticks and (MPJ joysticks if the T-nuts are missing). See pictorial for reference.
 D - Includes items 13 and 14
 E - Includes items 16 and 17
 F - Includes 2 ea. of item 19
 G - The 4-Way Switch Mounting Plate has changed and may be required when converting a Quad Link assembled to a mounting plate over to a Quad Link introduced after 3/30/06
 H - Not Shown

Electronics

Tilt Recline Single Switch (TRSS)

As of 7/1/2009, switches are mercury free. TRSS Tilt Recline Single Switch is not used with MK6i electronics.



Electronics

Tilt Recline Single Switch (TRSS)

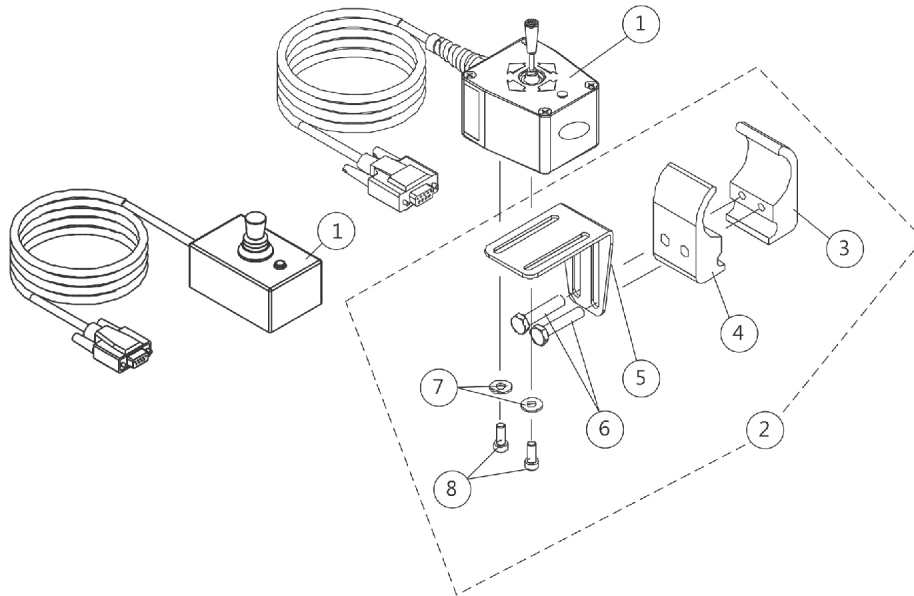
As of 7/1/2009, switches are mercury free. TRSS Tilt Recline Single Switch is not used with MK6i electronics.

Item Number	Note	Part Number	Description	Quantity Per	
				Package	Assembly
1		1089384	Switch, Toggle Tilt Recline Single (TRSS)	1	1
2	A	1091496	Kit, Joystick Tube Toggle Switch Mounting Hardware	1	1
3			NLA - Half Clamp, Threaded Holes	1	1
4			Half Clamp, Non-Threaded Holes	1	1
5			Screw, Hex Head w/ Patch (1/4-20 x 1/2")	1	2
6			NLA - Bracket, Toggle Switch Mounting, Black	1	1
7			NLA - Screw, Hex Head (1/4-20 x 1-1/8")	1	2
2	B	1091497	NLA - Kit, Quad Link Toggle Switch Mounting Hardware	1	1
5			Screw, Hex Head w/ Patch (1/4-20 x 1/2")	1	4
6			NLA - Bracket, Toggle Switch Mounting, Black	1	1
8			NLA - Bracket, Quad Link Toggle Switch Mounting, Black	1	1
9			Screw, Phillips Pan Head (#10-32 x 1-3/8")	1	2
10			Locknut (1/4-20)	1	2
11			Locknut (#10-32)	1	2
12		1080635-NLA	NLA - Harness, Recline/Tilt Limit Mercury Free Ball Switch	1	1
	C	1106544-NLA	NLA - Kit, Switch Clip with Mounting Hardware	1	1
			NLA - Bracket, Cable/Wire Mounting, Black	1	1
			Screw, Phillips Pan Head Tap (#10-16 x 3/4")	1	1
			Lockwasher, External Tooth (#10)	1	1

NOTE: A - Includes items 3-7
 B - Includes items 5, 6 and 8-11
 C - Not Shown and includes 1 ea. of the (Bracket, Limit Switch); (#10-32 x 3/4" Screw, Phillips Self Tap); (#10 Lockwasher, External Tooth)

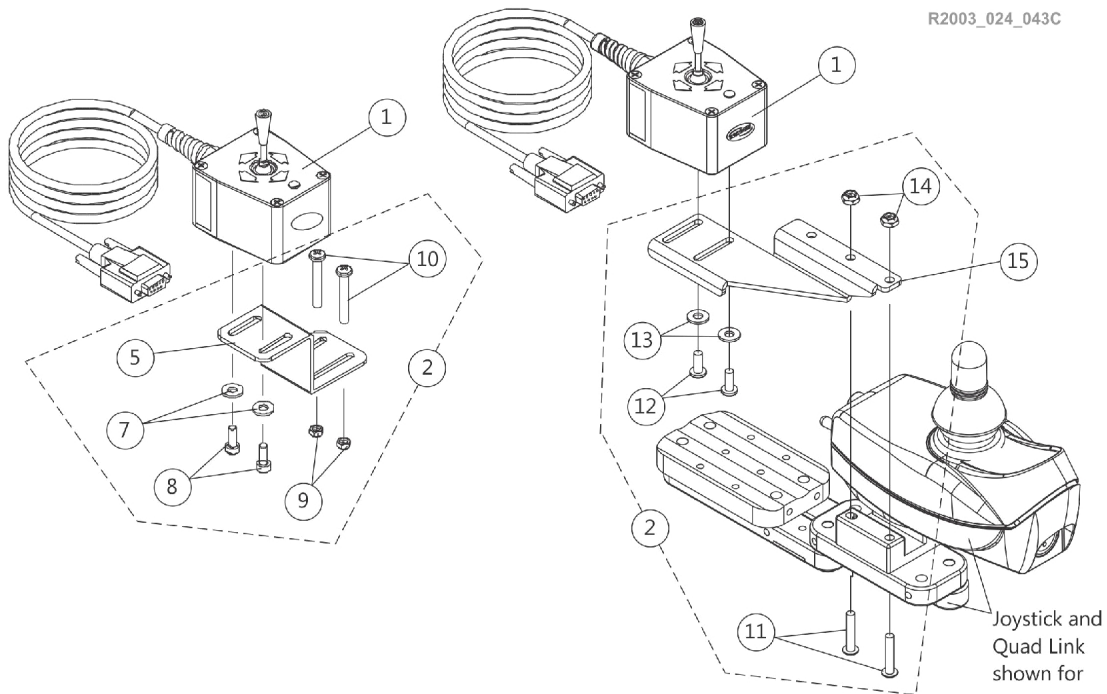
4-Way Switch and Mounting Hardware

NOTE: 4-way switch is used with a MK5 TAC



**4-Way Switch
Joystick Tube Mounting Hardware**

R2003_024_043C



**4-Way Switch
Quad Link Mounting Hardware
Before 4/07/06**

**4-Way Switch
Quad Link Mounting Hardware
After 4/06/06**

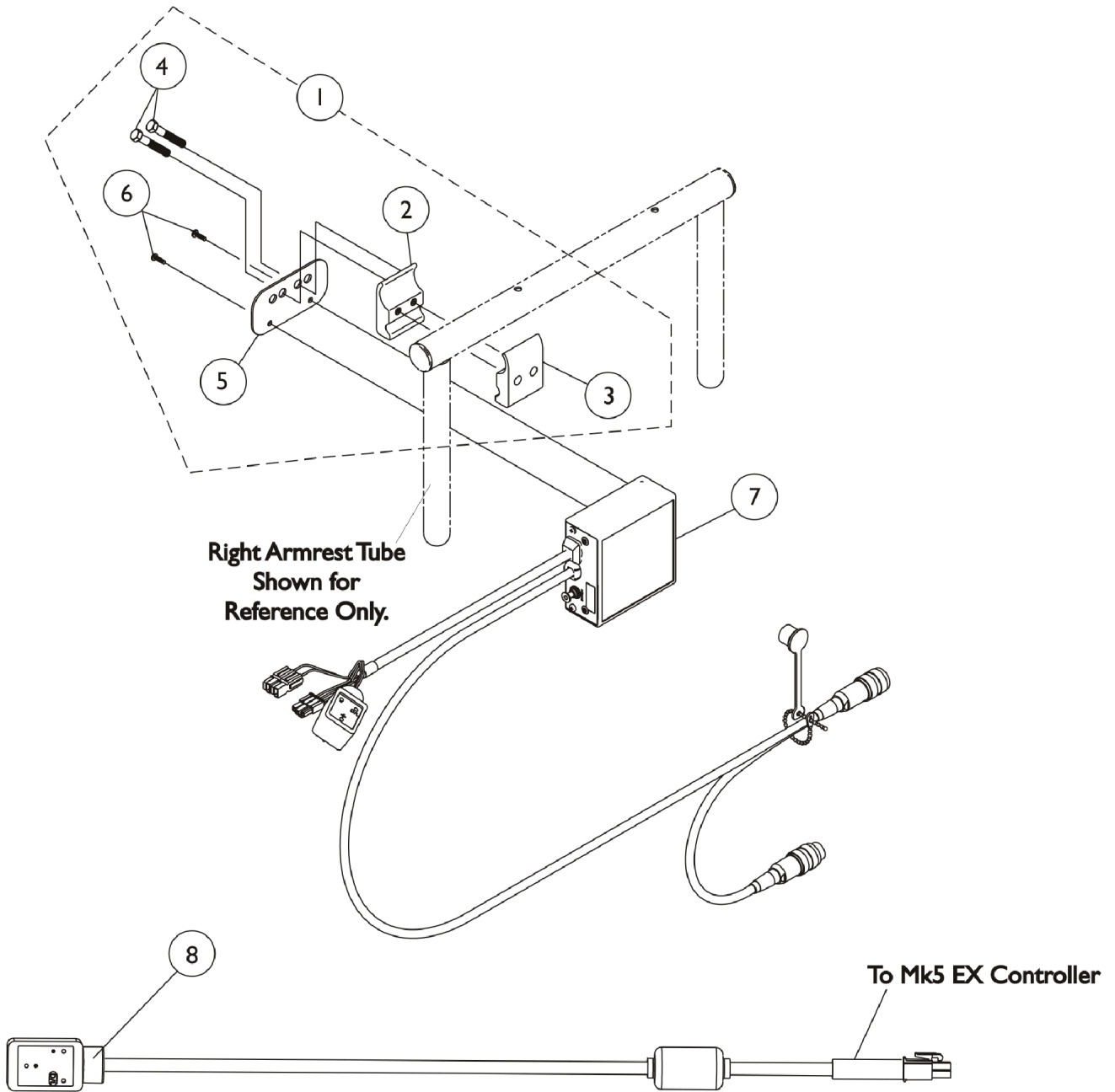
Joystick and
Quad Link
shown for

4-Way Switch and Mounting Hardware

NOTE: 4-way switch is used with a MK5 TAC

Item Number	Note	Part Number	Description	Quantity Per	
				Package	Assembly
1	D	1080116-NLA	NLA - Switch, 4-Way (FWT)	1	1
1		60105577	Kit, Switch, 4-Way (FWT)	1	1
2	A	1077519	Kit, 4-Way Switch Joystick Tube Mounting Hardware	1	1
3			NLA - Half Clamp, Threaded Holes	1	1
4			Half Clamp, Non-Threaded Holes	1	1
5			NLA - Bracket, Joystick Mounting, Black	1	1
6			NLA - Screw, Hex Head (1/4-20 x 1-1/8")	1	2
7			Washer (#10 Flat)	1	2
8			Screw, Phillips Pan Head (#10-32 x 1/2")	1	2
2	B,E	1077520	NLA - Kit, 4-Way Switch Quad Link Mounting Hardware	1	1
5			NLA - Bracket, Quad Link Mounting, Black	1	1
7			Washer (#10 Flat)	1	2
8			Screw, Phillips Pan Head (#10-32 x 1/2")	1	2
9			Locknut (#10-32)	1	2
10			Screw, Phillips Pan Head (#10-32 x 1-3/8")	1	2
2	E,C	1139418	Kit, 4-Way Switch Quad Link Mounting Hardware	1	1
11			Screw, Phillips Pan Head w/Patch (#10-32 x 7/8")	1	2
12			Screw, Phillips Pan Head (#10-32 x 1/2")	1	2
13			NLA - Washer, Nylon (#10)	1	2
14			Locknut (#10-32)	1	2
15		1134132	Bracket, 4-Way Switch Quad Link, Black - Right	1	1
15		1134133	Bracket, 4-Way Switch Quad Link, Black - Left	1	1
NOTE: A - Includes items 3-8 B - Before 4/07/06. Includes items 5 and 7-10 C - After 4/06/06. Includes items 11-14. D - Part #1080116 is No Longer Available. Order Item #1 part number 60105577 as a replacement. New design is rectangular in shape. It is recommended to order new hardware 1077519 as well. E - 4-Way Toggle Switch 60105577 is not compatible with this hardware.					

MK5 SAC and Mounting Hardware



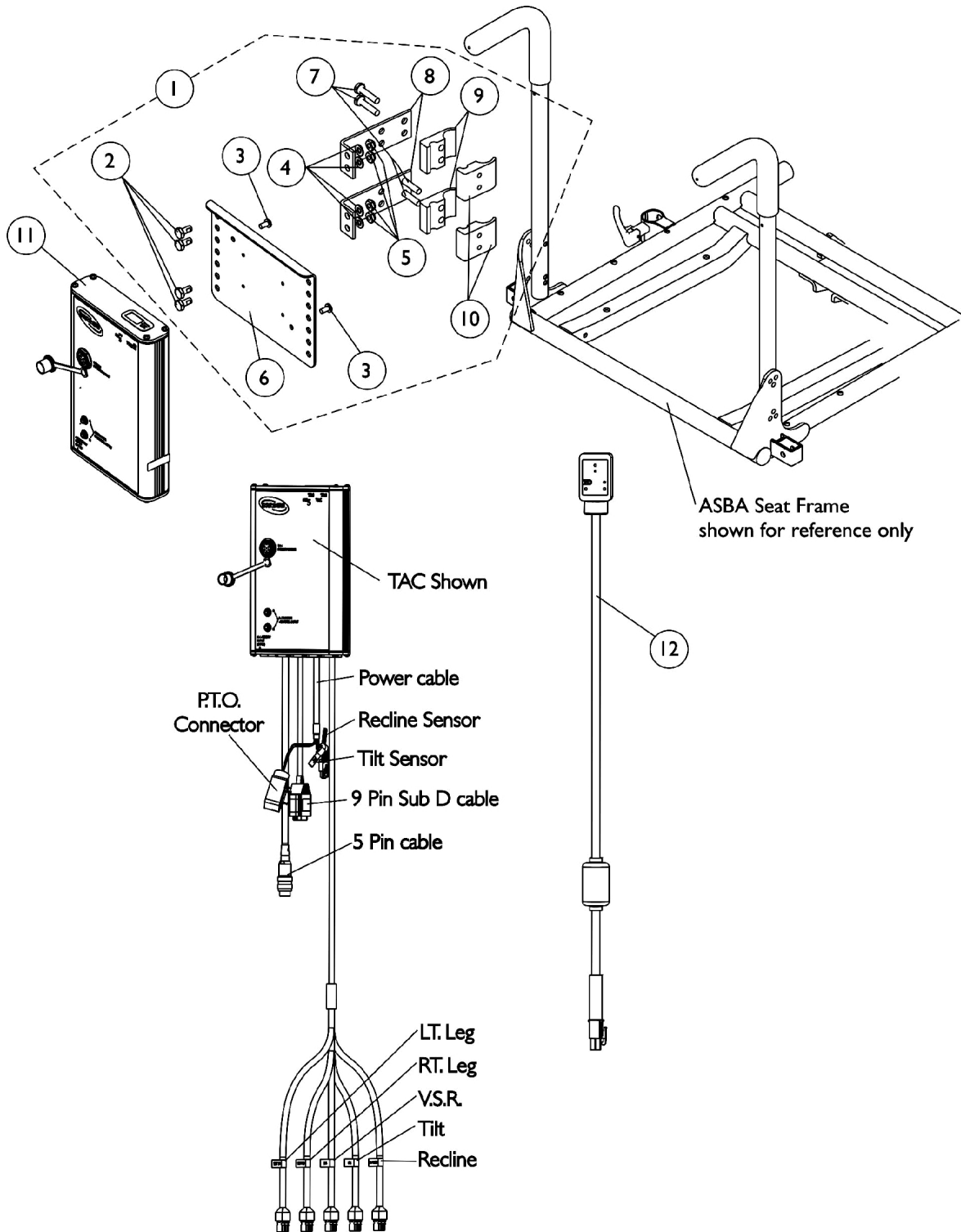
MK5 SAC and Mounting Hardware

Item Number	Note	Part Number	Description	Quantity Per	
				Package	Assembly
1	A,C	1049593	Kit, SNP/DI, MK5 SAC, 4WSB, S4WSB, GTAM, AUX12M6, AUX34M6 Mtg. Hdwr.	1	1
2			NLA - Half Clamp, Threaded Holes	1	1
3			Half Clamp, Non-Threaded Holes	1	1
4			NLA - Screw, Hex Head (1/4-20 x 1-1/8")	1	2
5			Plate, Mounting	1	1
6			Screw, Phillips Pan Head (#4-40 x 3/8")	1	2
7	B	1115730-NLA	NLA - Control, MK5 SAC	1	1
8		1119418	Cable, Auxiliary Power	1	1

NOTE: A - Includes items 2-6
 B - The MK5 SAC was discontinued 1/6/06 and replaced with the MK5 TAC. See page titled "MK5 TAC and Mounting Hardware"
 C - As of 5/22/07 the Mounting Plate holes and the orientation of the Hardware was revised to attach the electronics closer to the chair. The Mounting Hardware Kit is backward compatible.

MK5 TAC and Mounting Hardware

As of (7/1/2009), switches are mercury free.



MK5 TAC and Mounting Hardware

As of (7/1/2009), switches are mercury free.

Item Number	Note	Part Number	Description	Quantity Per	
				Package	Assembly
1	D	1142600-NLA	NLA - Kit, MK5 TAC/TRECM Mounting Hardware	1	1
2			Screw, Hex Head w/ Patch (1/4-20 x 1/2")	1	4
3			NLA - Screw, Phillips Pan Head w/ Patch (#10-32 x 3/8")	1	2
4			Washer (1/4 x 1/2 x 1/16")	1	4
5			Locknut (1/4-20)	1	4
6			NLA - Bracket, Controller Mounting, Black	1	1
7			NLA - Screw, Hex Head (1/4-20 x 1-1/8")	1	4
8			NLA - Bracket, Standoff, Black	1	2
9			Half Clamp, Non-Threaded Holes	1	2
10			NLA - Half Clamp, Threaded Holes	1	2
11	A	1118728-NLA	NLA - Controller, MK5 TAC	1	1
12		1119418	Cable, Auxiliary Power	1	1
	B	1142587-NLA	Kit, MK5 SAC To MK5 TAC Conversion For PTO on Pronto M71/M91	1	1
2			Screw, Hex Head w/ Patch (1/4-20 x 1/2")	1	4
3			NLA - Screw, Phillips Pan Head w/ Patch (#10-32 x 3/8")	1	2
4			Washer (1/4 x 1/2 x 1/16")	1	4
5			Locknut (1/4-20)	1	4
6			NLA - Bracket, Controller Mounting, Black	1	1
7			NLA - Screw, Hex Head (1/4-20 x 1-1/8")	1	4
8			NLA - Bracket, Standoff, Black	1	2
9			Half Clamp, Non-Threaded Holes	1	2
10			NLA - Half Clamp, Threaded Holes	1	2
11			NLA - Controller, MK5 TAC	1	1
			NLA - Harness, Drive Lockout Mercury Free Ball Switch	1	2
			NLA - Bracket, Cable/Wire Mounting, Black	1	1
			Screw, Phillips Pan Head Tap (#10-16 x 3/4")	1	1
			Lockwasher, External Tooth (#10)	1	1
			Tie Wrap (11-1/2" L)	1	10
			Tie Wrap (5-5/8" L)	1	10
			NLA - Instruction Sheet, MK5 SAC To MK5 TAC Conversion For PTO on Pronto M71/M91	1	1
		1142587E-NLA	NLA - WARR RPLMT - MK5 SAC To MK5 TAC Conversion Kit For PTO on Pronto M71/M91	1	1
2			Screw, Hex Head w/ Patch (1/4-20 x 1/2")	1	4
3			NLA - Screw, Phillips Pan Head w/ Patch (#10-32 x 3/8")	1	2
4			Washer (1/4 x 1/2 x 1/16")	1	4
5			Locknut (1/4-20)	1	4
6			NLA - Bracket, Controller Mounting, Black	1	1
7			NLA - Screw, Hex Head (1/4-20 x 1-1/8")	1	4
8			NLA - Bracket, Standoff, Black	1	2

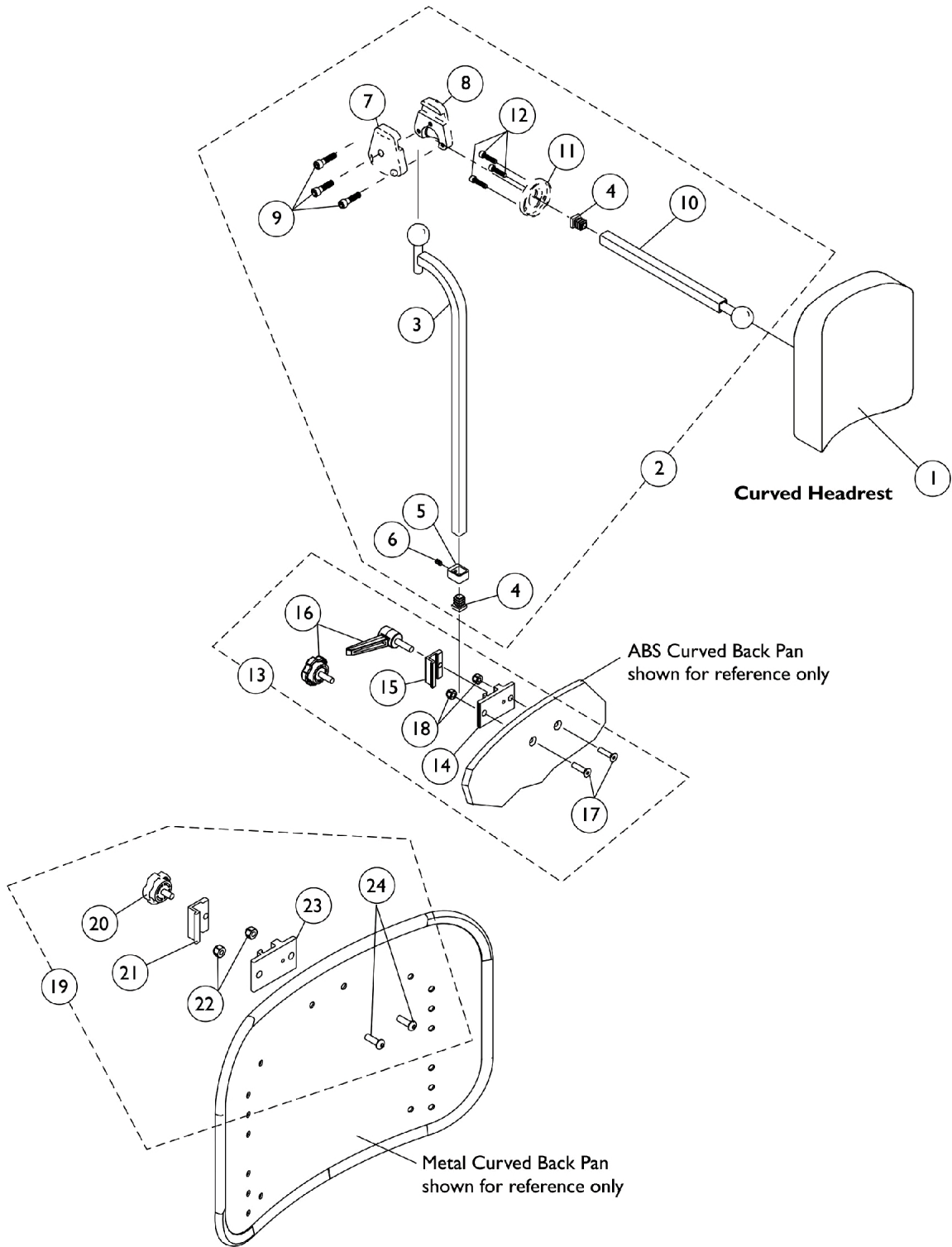
MK5 TAC and Mounting Hardware

As of (7/1/2009), switches are mercury free.

Item Number	Note	Part Number	Description	Quantity Per	
				Package	Assembly
9			Half Clamp, Non-Threaded Holes	1	2
10			NLA - Half Clamp, Threaded Holes	1	2
11			NLA - WARR RPLMT - Controller, MK5 TAC	1	1
			Screw, Phillips Pan Head Tap (#10-16 x 3/4")	1	1
			Tie Wrap (5-5/8" L)	1	10
			Lockwasher, External Tooth (#10)	1	1
			NLA - Harness, Drive Lockout Mercury Free Ball Switch	1	2
			NLA - Instruction Sheet, MK5 SAC To MK5 TAC Conversion For PTO on Pronto M71/M91	1	1
			Tie Wrap (11-1/2" L)	1	10
			NLA - Bracket, Cable/Wire Mounting, Black	1	1
	C	1106544-NLA	NLA - Kit, Switch Clip with Mounting Hardware	1	2
			NLA - Bracket, Cable/Wire Mounting, Black	1	1
			Screw, Phillips Pan Head Tap (#10-16 x 3/4")	1	1
			Lockwasher, External Tooth (#10)	1	1
	C	1080634-NLA	NLA - Harness, Drive Lockout Mercury Free Ball Switch	1	2
	C	1095503-NLA	NLA - Package, Tie Wrap (5-5/8" L)	10	1
	C	1095502-NLA	NLA - Package, Tie Wrap (11-1/2" L)	10	1
	C	1141467-NLA	NLA - Instruction Sheet, MK5 SAC To MK5 TAC Conversion For PTO on Pronto M71/M91	1	1
<p>NOTE: A - When converting a MK5 SAC to a MK5 TAC, refer to the Conversion Kit part # 1142587. Conversion Kit includes all parts needed to convert a (PTO on a Pronto M71/M91)</p> <p>B - Not Shown. Kit components for a PTO on a Pronto M71/M91 uses items 2-11, (part #'s 1080634, 0062800, 0065706, 1077143), Cable Ties and Instruction Sheet)</p> <p>C - Not Shown</p> <p>D - Includes items 2-10</p>					
Effective (07/01/2009), switches are mercury free.					

Headrest Support Assembly

ABS and Metal Curved Backs



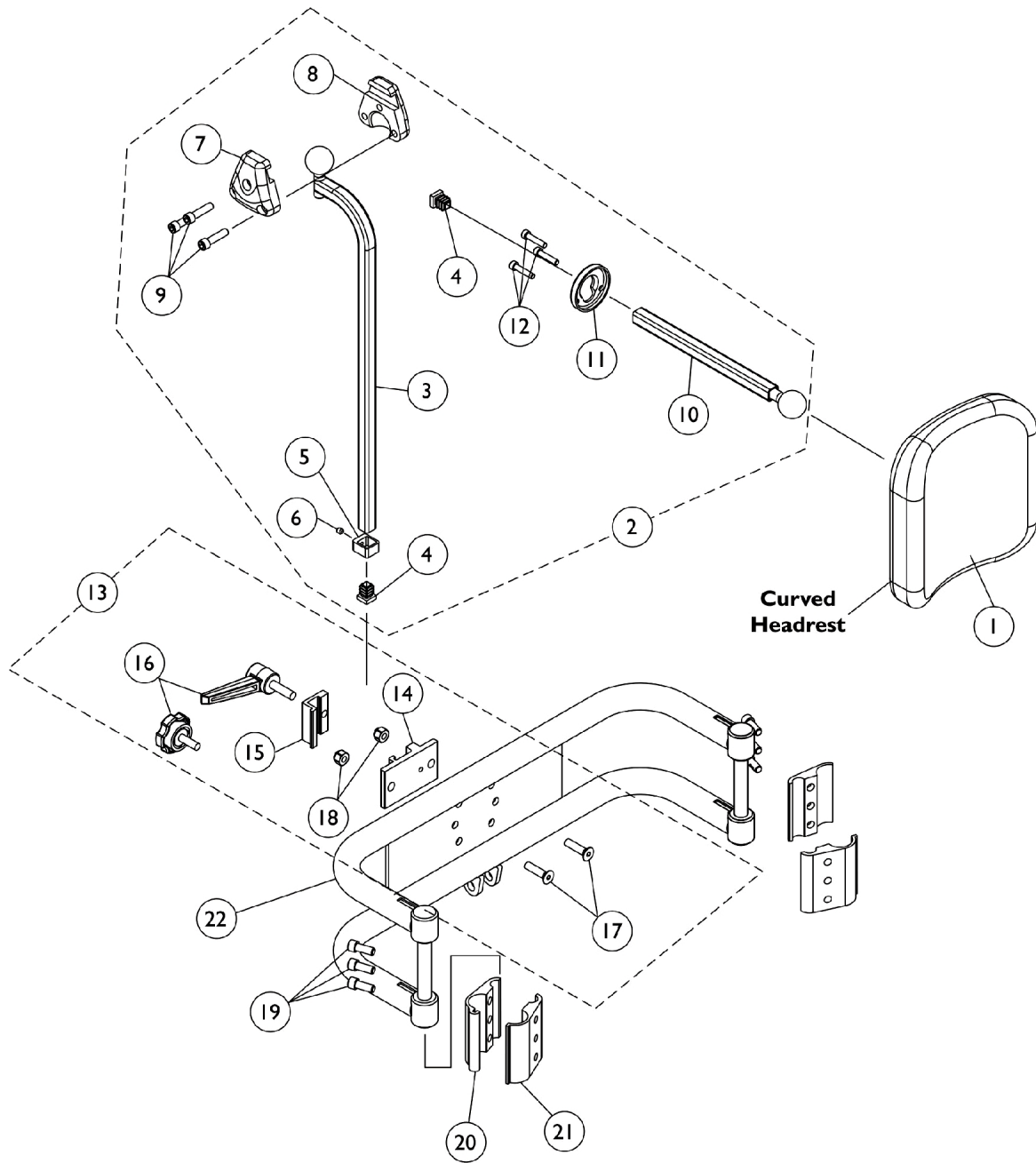
Headrest Support Assembly ABS and Metal Curved Backs

Item Number	Note	Part Number	Description	Quantity Per	
				Package	Assembly
1		0127700	Headrest, Curved (6" W x 7" H)	1	1
2	A	0197024	Fixture Assembly, Offset Support	1	1
3		0271524-NLA	NLA - Tube, Offset Fixture, Black	1	1
4		1077076-NLA	NLA - Plug Button, Square (1/2")	1	2
5		0271124-NLA	NLA - Collar, Offset Fixture Tube	1	1
6		0288606-NLA	NLA - Screw, Set Socket Cup Point (#10-24 x 3/16")	1	1
7		0271224	Half Clamp, Non-Threaded Holes	1	1
8		0271324	Half Clamp, Threaded Holes	1	1
9		1027268	Screw, Allen Head (1/4-20 x 1")	1	3
10		0271424-NLA	NLA - Tube, Fixture Adjustment	1	1
11		0283724-NLA	NLA - Ring, Fixture Clamp	1	1
12		0067006-NLA	NLA - Screw, Cap, Socket Head (#10-32 x 1/2")	1	3
13	B,E	0273100	Kit, Headrest Clamp, Lever Style	1	1
14	C	0237422-NLA	NLA - Clamp, Small Bottom Half	1	1
15	C	0237522-NLA	NLA - Clamp, Small Top Half	1	1
16		1072439-NLA	NLA - Knob, Adjustment, Black (3/4" L Threads)	1	1
17		0288706-NLA	NLA - Screw, Socket, Flat Head (1/4-20 x 1")	1	2
18		1025736	Locknut (1/4-20)	1	2
19	D	1160332	Kit, Headrest Clamp, Knob Style	1	1
20		1072439-NLA	NLA - Knob, Adjustment, Black (3/4" L Threads)	1	1
21	C	0237522-NLA	NLA - Clamp, Small Top Half	1	1
22		1025736	Locknut (1/4-20)	1	2
23	C	0237422-NLA	NLA - Clamp, Small Bottom Half	1	1
24		1009838	Screw, Socket Button (1/4-20 x 3/4")	1	2

NOTE: A - Includes items 3-12
 B - For ABS Plastic Curved Back models. Includes items 14-18. Item 16 Adjustment Knob was replaced with an Adjustment Lever. The Lever is not available as a separate part. The knob Part # 1072439 is still sold separately and is interchangeable with the Lever.
 C - Clamp is no longer available individually. See Headrest Clamp Mounting Hardware Kit item 13 or 19 depending on Back Style.
 D - Includes items 20-24 and used for Metal Curved Back models. Hardware can also be used with an Invacare PCS Back.
 E - Hardware can also be used with an Invacare Personal back.

Headrest Support Assembly

Back Cane Only Option

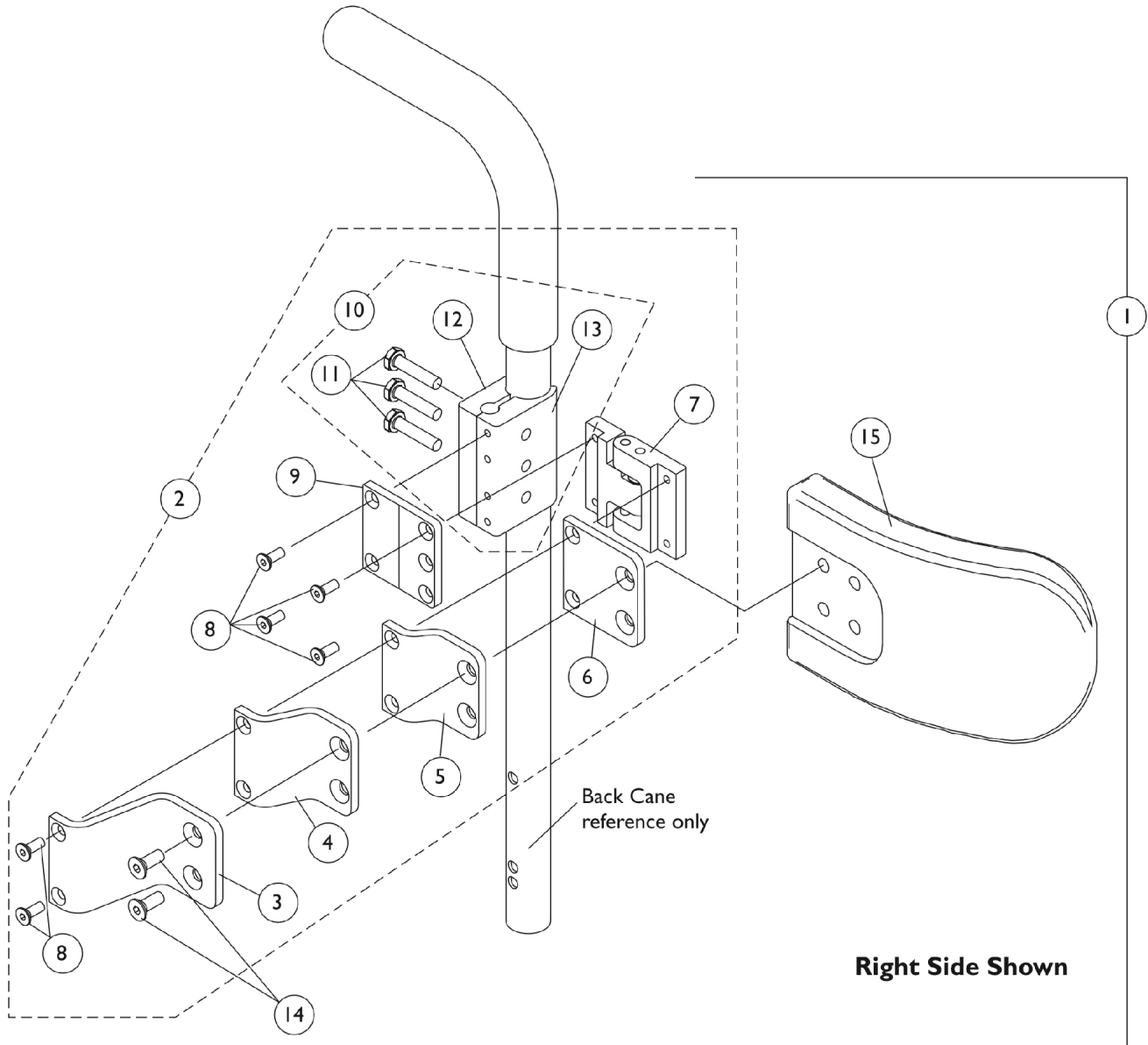


Headrest Support Assembly Back Cane Only Option

Item Number	Note	Part Number	Description	Quantity Per	
				Package	Assembly
1		0127700	Headrest, Curved (6" W x 7" H)	1	1
2		0197024	Fixture Assembly, Offset Support	1	1
3		0271524-NLA	NLA - Tube, Offset Fixture, Black	1	1
4		1077076-NLA	NLA - Plug Button, Square (1/2")	1	2
5		0271124-NLA	NLA - Collar, Offset Fixture Tube	1	1
6		0288606-NLA	NLA - Screw, Set Socket Cup Point (#10-24 x 3/16")	1	1
7		0271224	Half Clamp, Non-Threaded Holes	1	1
8		0271324	Half Clamp, Threaded Holes	1	1
9		1027268	Screw, Allen Head (1/4-20 x 1")	1	3
10		0271424-NLA	NLA - Tube, Fixture Adjustment	1	1
11		0283724-NLA	NLA - Ring, Fixture Clamp	1	1
12		0067006-NLA	NLA - Screw, Cap, Socket Head (#10-32 x 1/2")	1	1
13	B,C	0273100	Kit, Headrest Clamp, Lever Style	1	1
14	A	0237422-NLA	NLA - Clamp, Small Bottom Half	1	1
15	A	0237522-NLA	NLA - Clamp, Small Top Half	1	1
16		1072439-NLA	NLA - Knob, Adjustment, Black (3/4" L Threads)	1	2
17		0052906-NLA	NLA - Screw, Socket Button Head (1/4-20 x 3/4")	25	2
18		7930333	Locknut (1/4-20)	1	6
19		0068706-NLA	NLA - Screw, Cap, Socket Head (1/4-20 x 5/8")	1	2
20		0190722	Half Clamp, Un-Threaded Holes (7/8" Dia. Back Canes)	1	1
21		0190822	Half Clamp, Threaded Holes (7/8" Dia. Back Canes)	1	2
22		0013602	Bar, Push, Black (16" W)	1	1
22		0013702	Bar, Push, Black (17" W)	1	1
22		0013802	Bar, Push, Black (18" W)	1	1
22		0013902	Bar, Push, Black (19" W)	1	1
22		0014002	Bar, Push, Black (20" W)	1	1
22		0014102	Bar, Push, Black (21" W)	1	1
22		0014202	Bar, Push, Black (22" W)	1	1

NOTE: A - Clamp is no longer available individually. See item 13 Clamp Assembly part number 0273100
 B - Back Canes Only. Includes items 14-18. Item 16 Adjustment Knob was replaced with an Adjustment Lever. The Lever is not available as a separate part. The knob Part # 1072439 is still sold separately and is interchangeable with the Lever.
 C - Hardware can also be used with an Invacare Personal Back.

Lateral Support Assembly Tarsys



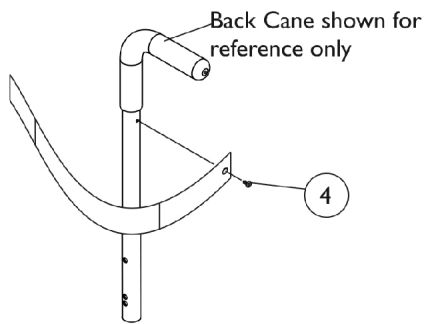
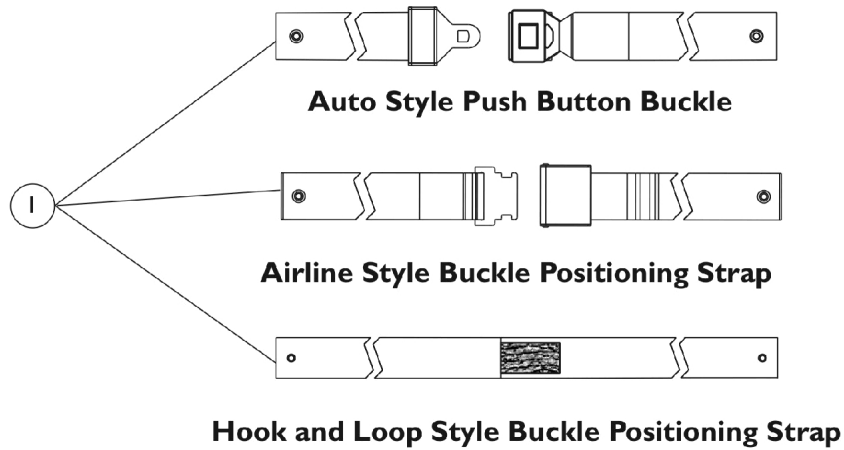
Lateral Support Assembly Tarsys

Item Number	Note	Part Number	Description	Quantity Per	
				Package	Assembly
1	A	1107298	Kit, Swingaway Lateral Support Assemblies w/ Medium Pads (Pair)	1	1
3			Bracket, Extension Offset, Black (2")	1	2
4			NLA - Bracket, Extension Offset, Black (1")	1	2
5			NLA - Bracket, Extension Offset, Black (1/2")	1	2
6			Bracket, Flush Mount, Black	1	2
7			NLA - Bracket, Swingaway, Cane Clamp, Black - Right	1	1
7			NLA - Bracket, Swingaway, Cane Clamp, Black - Left	1	1
8			NLA - Screw, Socket Flat Head (#10-32 x 1/2")	1	12
9			NLA - Bracket, Mounting, Black	1	2
11			NLA - Screw, Hex Head (1/4-20 x 1-1/8")	1	6
12			Half Clamp, Non-Threaded Holes	1	2
13			NLA - Half Clamp, Threaded Holes	1	2
14			Screw, Socket Flat Head (1/4-20 x 1/2")	1	4
15			Pad, Lateral Support - Medium (6" W x 4" H)	1	2
1	A	1107299	Kit, Swingaway Lateral Support Assemblies w/ Large Pads (Pair)	1	1
3			Bracket, Extension Offset, Black (2")	1	2
4			NLA - Bracket, Extension Offset, Black (1")	1	2
5			NLA - Bracket, Extension Offset, Black (1/2")	1	2
6			Bracket, Flush Mount, Black	1	2
7			NLA - Bracket, Swingaway, Cane Clamp, Black - Right	1	1
7			NLA - Bracket, Swingaway, Cane Clamp, Black - Left	1	1
8			NLA - Screw, Socket Flat Head (#10-32 x 1/2")	1	12
9			NLA - Bracket, Mounting, Black	1	2
11			NLA - Screw, Hex Head (1/4-20 x 1-1/8")	1	6
12			Half Clamp, Non-Threaded Holes	1	2
13			NLA - Half Clamp, Threaded Holes	1	2
14			Screw, Socket Flat Head (1/4-20 x 1/2")	1	4
15			Pad, Lateral Support - Large (6" W x 5" H)	1	2
2	B	1107245	Kit, Swingaway Bracket Assembly with Offset Brackets, Cane Clamp - Right	1	1
3			Bracket, Extension Offset, Black (2")	1	1
4			NLA - Bracket, Extension Offset, Black (1")	1	1
5			NLA - Bracket, Extension Offset, Black (1/2")	1	1
6			Bracket, Flush Mount, Black	1	1
7			NLA - Bracket, Swingaway, Cane Clamp, Black - Right	1	1
8			NLA - Screw, Socket Flat Head (#10-32 x 1/2")	1	6
9			NLA - Bracket, Mounting, Black	1	1
11			NLA - Screw, Hex Head (1/4-20 x 1-1/8")	1	3

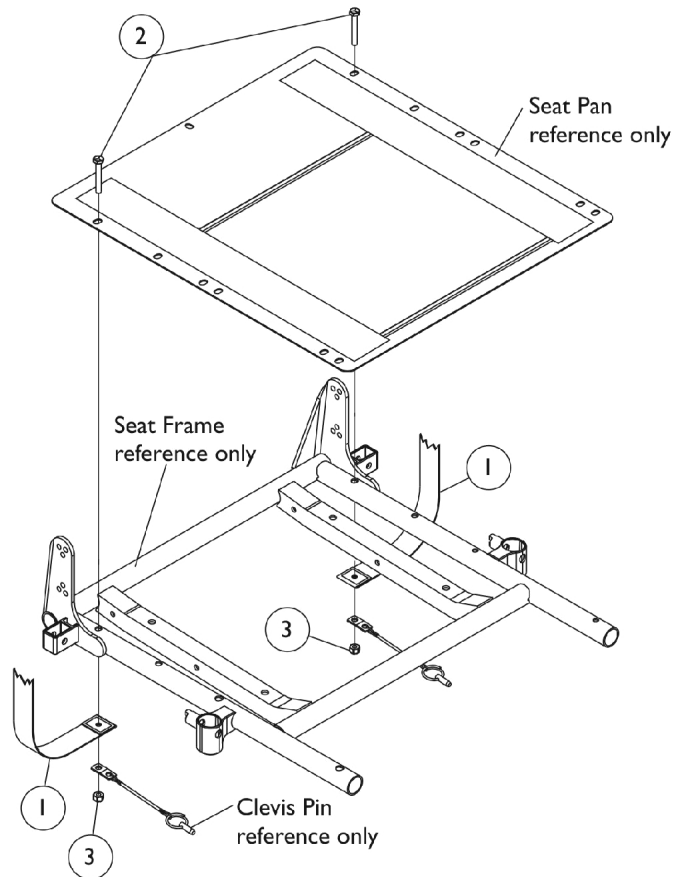
Lateral Support Assembly Tarsys

Item Number	Note	Part Number	Description	Quantity Per	
				Package	Assembly
12			Half Clamp, Non-Threaded Holes	1	1
13			NLA - Half Clamp, Threaded Holes	1	1
2	B	1107246	Kit, Swingaway Bracket Assembly with Offset Brackets, Cane Clamp - Left	1	1
3			Bracket, Extension Offset, Black (2")	1	1
4			NLA - Bracket, Extension Offset, Black (1")	1	1
5			NLA - Bracket, Extension Offset, Black (1/2")	1	1
6			Bracket, Flush Mount, Black	1	1
7			NLA - Bracket, Swingaway, Cane Clamp, Black - Left	1	1
8			NLA - Screw, Socket Flat Head (#10-32 x 1/2")	1	6
9			NLA - Bracket, Mounting, Black	1	1
11			NLA - Screw, Hex Head (1/4-20 x 1-1/8")	1	3
12			Half Clamp, Non-Threaded Holes	1	1
13			NLA - Half Clamp, Threaded Holes	1	1
10	C	1107117	Kit, Lateral Support Mounting Hardware	1	1
11			NLA - Screw, Hex Head (1/4-20 x 1-1/8")	1	3
12			Half Clamp, Non-Threaded Holes	1	1
13			NLA - Half Clamp, Threaded Holes	1	1
NOTE: A - Includes items 3-9 and 11-15 B - Includes items 3-9 and 11-13 C - Includes items 11-13					

Seat Positioning Straps



Chest Positioning Strap Mounting Hardware (For ABS & Metal Curved Back) and Back Cane Only Option



Seat Positioning Straps

Item Number	Note	Part Number	Description	Quantity Per	
				Package	Assembly
1	A	1004310	Strap, Positioning, Seat/Chest w/ Auto Style Push Button Buckle (Eyelet to Eyelet Length 48")	1	1
1	B	1034625	Strap, Positioning, Seat/Chest w/ Auto Style Push Button Buckle (Eyelet to Eyelet Length 61")	1	1
1	B,E	1034752-NLA	NLA - Strap, Positioning, Seat/Chest w/ Airline Style Buckle (Eyelet to Eyelet Length 61")	1	1
1	C	1034745	Strap, Positioning, Seat/Chest w/ Hook and Loop Style Buckle (Eyelet to Eyelet Length 61")	1	1
2		1037610	Screw, Hex Head (1/4-20 x 1-5/8")	1	2
3		1025736	Locknut (1/4-20)	1	2
4	D	1026298	Package, Screw with Washer (#10 x 7/8") (Pair)	2	1
NOTE: A - 16"-19" Wide B - 20"-22" Wide C - 16"-22" Wide D - Hardware used for mounting the Chest Positioning Strap E - 1034752 Airline Buckle Style is No Longer Available. Use Auto Style part number 1034625 as a replacement.					

Power Wheelchair Tool Kit

1



Multimeter with Leads



Grounding Wire



1" Test Leads



Protractor/Angle Locator



Invacare Pen Light



Invacare Tape Measure



Invacare Phillips/Flat Head Screwdriver



MKIV Programmer



Virtual Service Charger Cable

Power Wheelchair Tool Kit

Item Number	Note	Part Number	Description	Quantity Per	
				Package	Assembly
1		1125222-NLA	NLA - Kit, Power Wheelchair Tool Includes: 1 ea. Multimeter with Leads 1 ea. Locator, Protractor/Angle Magnetic Base 1 ea. Instructions, MKIV Programmer 1 ea. Wire, Grounding with Hand Strap and Clip 1 ea. Leads, 1" Test 1 ea. Light, Pen with Invacare Logo 1 ea. Tape Measure, Compact with Invacare Logo 1 ea. Screwdriver, Pen-Size Phillips/Flat Head 1 ea. Cable, Virtual Service Charger/Modem	1	1

Invacare Corporation

www.invacare.com



Yes, you can.

One Invacare Way
Elyria, Oh USA
44036-2125
800-333-6900

Technical Support
800-832-4707
Florida Technical Support
407-321-5630

Customer Service
800-333-6900

© 2022 Invacare Corporation. All rights reserved. Republication, duplication or modification in whole or in part is prohibited without prior written permission from Invacare. Trademarks are identified by ™ and ®. All trademarks are owned by or licensed to Invacare Corporation or its subsidiaries unless otherwise noted. (Revised 11/01/22)

Form No. 03-024