

**Pronto® M50™ Pronto® M51™
with SureStep®
(Before 1/20/05)**

MWD

Power Wheelchairs



Yes, you can.

Parts Catalog Usage Guide

The information contained in this document is subject to change without notice. This catalog contains service parts for Form No. 02-011. If you have any questions regarding this catalog, please contact one of our Customer Service Representatives.

For Customer Service Support Call:

1-800-333-6900

For Faxed In Orders Call:

1-800-678-4682 or

1-440-366-0709

For Technical Service Call:

1-800-832-4707

Literature Can Be Found at:

www.invacare.com or

1-800-828-6272

SYMBOL DEFINITION

Throughout this catalog you will notice letters to draw your attention to specific footnotes which are located at the bottom of the page or below specified charts.

Examples:

A,B,C etc. = Special Comments

NOTE: = General information pertaining to that specific page

NLA = No Longer Available

HARDWARE MEASUREMENTS

The measurements for the hardware will be listed as follows:

Screws, Bolts Diameter X Thread Count/Pitch X Length

Washers Inside Diameter X Outside Diameter X Thickness

Spacers Inside Diameter X Outside Diameter X Length

For your convenience, we have supplied an area for you to list your Invacare Representatives.

Name	Phone Numbers

© 2022 Invacare Corporation. Elyria, Ohio. Invacare, Yes, you can., the Medallion Design, Pronto, and SureStep are registered trademarks and MKIV, MK5, NX, SPJ, M50, and M51 are trademarks of Invacare Corporation.

TABLE of CONTENTS

Description	Page Number
Accessories - Miscellaneous	97
Accessories - Oxygen Holder Assembly - Fold Down Medium Back Van Seat	93
Accessories - Oxygen Holder Assembly - Semi-Recline Van Seat (After 4/14/03)	95
Accessories - Oxygen Holder Assembly - Semi-Recline Van Seat (Before 4/15/03)	94
Accessories - Power Wheelchair Tool Kit	98
Accessories - Walker Holder	92
Arms - Van Seat & Hardware (16" - 20" W) (After 8/31/02)	26
Arms - Van Seat & Hardware (18" W) (Before 9/1/02)	24
Arms - Van Seat & Hardware (20" W) (Before 9/1/02)	25
Base Frame & Van Seat Post Assembly (After 7/13/03)	9
Base Frame & Van Seat Post Assembly (Before 7/14/03)	8
Battery Covers & Harnesses (Before 10/8/03)	40
Battery Harnesses (After 10/7/03)	42
Caster & Forks	35
Electronics - MK5 NX Controllers - Programmer & Battery Chargers (After 6/26/03)	86
Electronics - MK5 SPJ (After 6/26/03) & SPJ+ (Introduced 8/16/05) Joystick & Mounting Hardware	80
Electronics - MKIV Controllers - Programmer & Battery Chargers (Before 6/27/03)	83
Electronics - MKIV RII Joystick & Mounting Hardware (Before 6/27/03)	78
Electronics - Quad Link Assembly (Before 4/07/06)	88
Electronics - Quad Link Assembly (QL) (After 4/06/06)	90
Frame Finish & Shroud Colors	5

TABLE of CONTENTS

Description	Page Number
Frames - Seat Van & Mounting Hardware (9/1/02 - 7/13/03)	15
Frames - Seat Van & Mounting Hardware (After 7/13/03)	17
Frames - Seat Van & Mounting Hardware (Before 9/1/02)	13
Front Riggings - Footboard Assembly - 90FB	44
Front Riggings - Footrest & Hardware - PW93 (Before 9/1/02)	49
Front Riggings - Footrest & Hardware - PW93ST (Before 9//02)	57
Front Riggings - Footrest (Hemi) & Hardware - PHW93 (9/1/02-1/5/03)	51
Front Riggings - Footrest (Hemi) & Hardware - PHW93 (After 1/5/03)	54
Front Riggings - Front (Hemi) Riggings Attachment Kit (After 8/31/02)	47
Front Riggings - Front Riggings Attachment Kit (FRKTM5) (Before 9/1/02)	46
Front Riggings - Legrest Supports - Articulating - Hemi - PHAL4A (9/1/02-1/5/03)	70
Front Riggings - Legrest Supports - Articulating - Hemi - PHAL4A (After 1/5/03)	73
Front Riggings - Legrest Supports - Articulating - PAL4A (Before 9/1/02)	67
Front Riggings - Legrest Supports - Hemi - PH904A (9/1/02-1/5/03)	62
Front Riggings - Legrest Supports - Hemi - PH904A (After 1/5/03)	65
Front Riggings - Legrest Supports - P904A (Before 9/1/02)	59
Front Riggings - Pivot/Slide Tube & Footplate - Legrests	76
Motors - Gearbox & Drive Wheel	37
Packaging - Literature & Decals	6
Seats - Van	19
Seats - Van - Upgrade Kits	22

TABLE of CONTENTS

Description	Page Number
Shrouds - Battery Cover & Attaching Hardware (After 7/13/03)	32
Shrouds & Attaching Hardware (Before 7/14/03)	29
SureStep Walking Beams & Hardware	11
Warranty Replacement Parts	100

Frame Finish and Shroud Colors

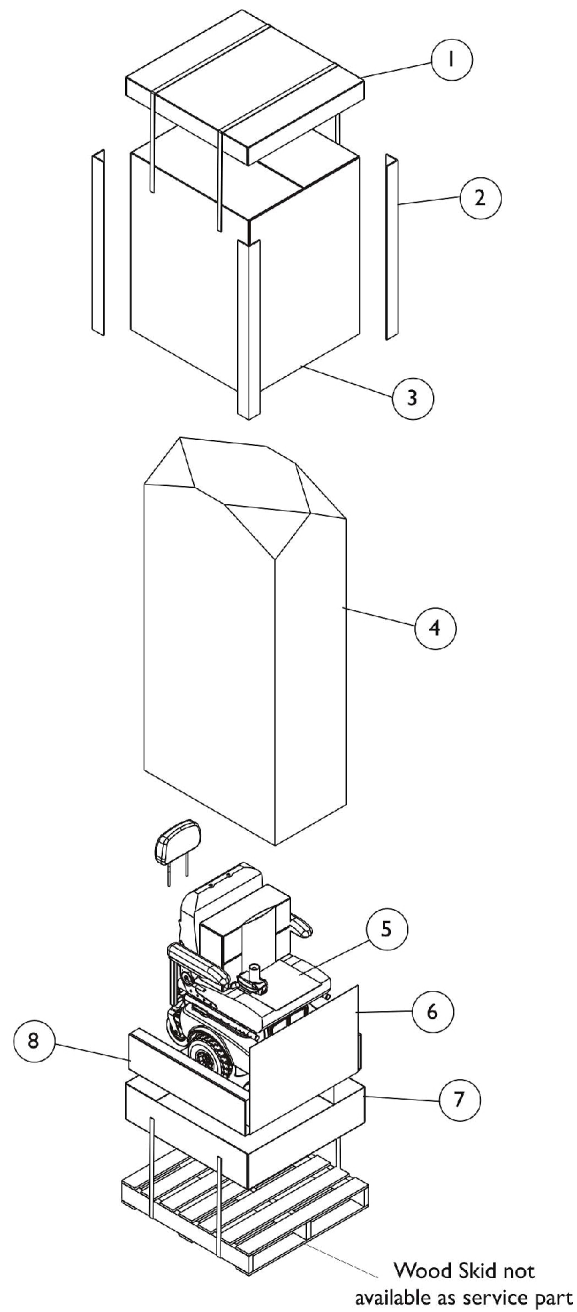
Frame Finish

Color Number	Part Number	Bottle Size	Color
34P	1046327-NLA	.6 oz	Flat Black

Shroud Colors

Color Number	Color
DBLM	Deep Blue
CRDM	Candy Red

Packaging, Literature and Decals



Packaging, Literature and Decals

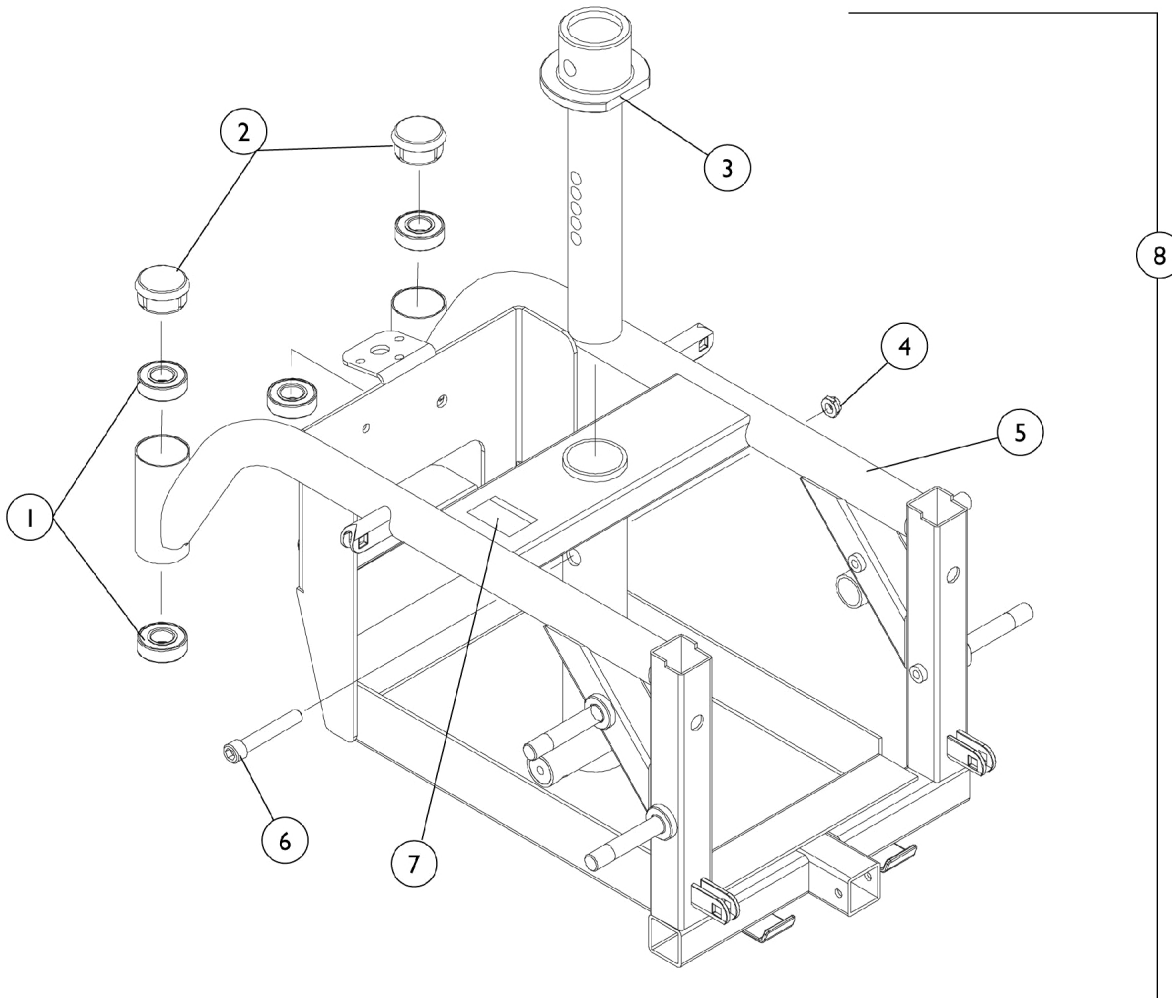
Item Number	Note	Part Number	Description	Quantity Per	
				Package	Assembly
1		1127752	Carton, Tray Top	1	1
2		1115174	Carton, Corner Reinforcement	1	4
3		1127753-NLA	NLA - Carton, Cover	1	1
4		1015592	Bag, Poly (72" L x 35" W x 19" D)	1	1
5		40131X161	Insert, Plain Pad	1	1
6		1127755-NLA	NLA - Carton, Pad	1	1
7	B	1127756-NLA	NLA - Carton, Tray	1	1
8		1127754-NLA	NLA - Carton, Insert	1	2
	A,C	1110521-NLA	NLA - Owner's Manual	1	1
	A	1095273-NLA	NLA - Instruction Manual, MKIV RII LP	1	1
	A,C	1110532-NLA	NLA - Instruction Manual, MK5 NX/NX-LP	1	1
	A	1110604-NLA	NLA - Decal, Shroud - M50	1	2
	A	1110605	Decal, Shroud - M51	1	2
	A	1104797	Decal, Drive/Push	1	2
	A	1035900	Decal, Transportation	1	1
	A	1119281-NLA	NLA - Plate, Name, Patent Numbers	1	1
	A	1107651-NLA	NLA - Decal, Front Battery Cover	1	1
	A	1107652-NLA	NLA - Decal, Rear Battery Cover	1	1

NOTE: A - Not Shown
 B - No longer available, use 1127752 as its replacement.
 C - Item is no longer available from the Invacare Service Parts Department. Refer to the Invacare Website under "Product Literature Search". Enter the part number in the "Keywords" field and download a free PDF version copy.

NOTE: When adjusting or replacing parts, please refer to your owner's manual for assistance.

Base Frame and Van Seat Post Assembly

Before 7/14/03

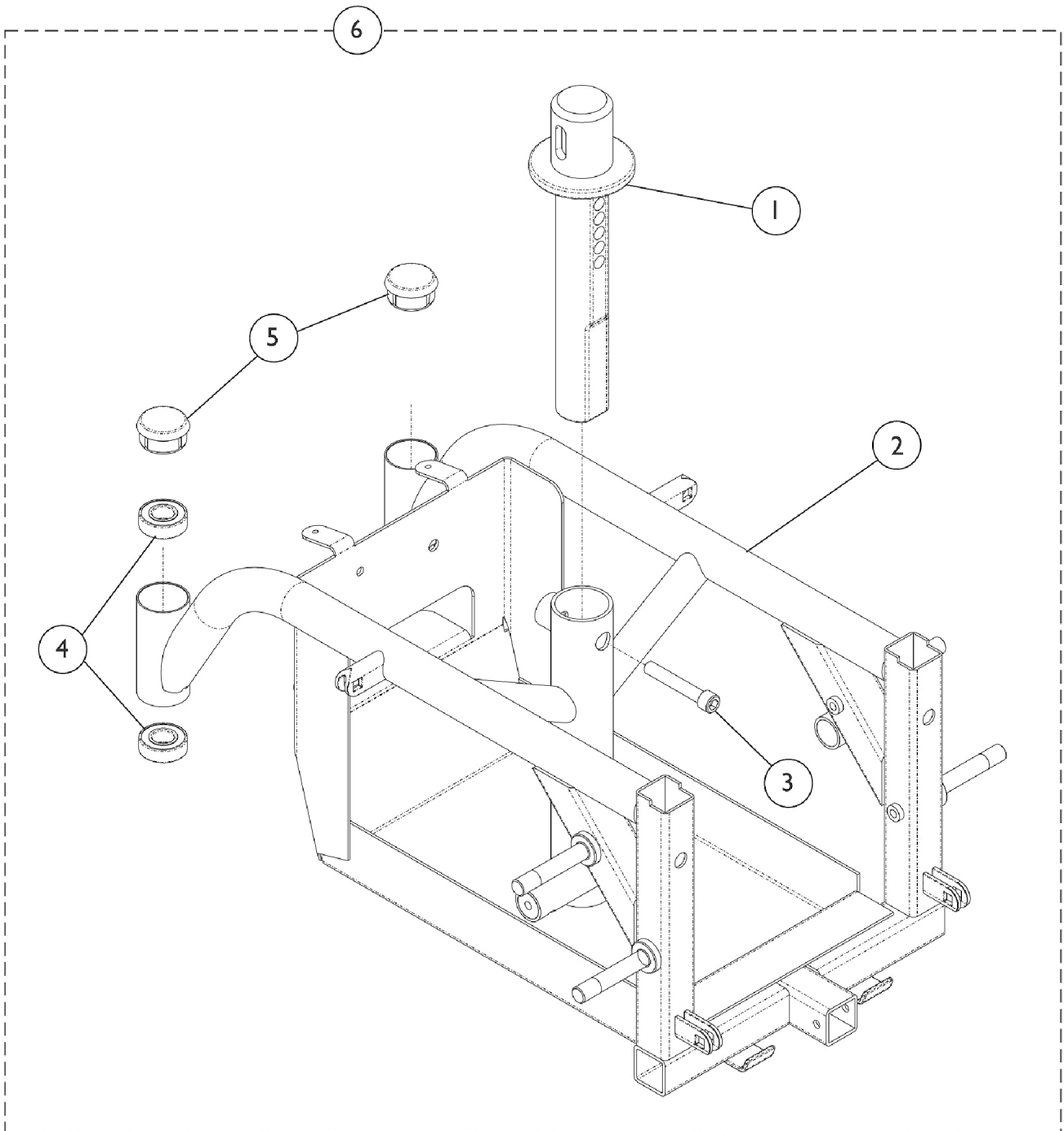


Item Number	Note	Part Number	Description	Quantity Per	
				Package	Assembly
1		40117X006	Bearing (5/8")	1	4
2		1105026	Plug Button, Head Tube, Black	1	2
3		1109484-NLA	NLA - Post, Adjustable Seat	1	1
4		60355X000-NLA	NLA - Locknut (3/8-24)	1	1
5	A	1110603-NLA	NLA - Base Frame Assembly	1	1
6		1111704-NLA	NLA - Screw, Socket Head (3/8-24 x 2-1/4")	1	1
7		1110539-NLA	NLA - Decal, Warning, Battery Cable	1	1
8	B	1112268-NLA	NLA - Base Frame and Adjustable Seat Post Assembly	1	1

NOTE: A - Includes items 1 and 7
B - Includes items 2-7

Base Frame and Van Seat Post Assembly

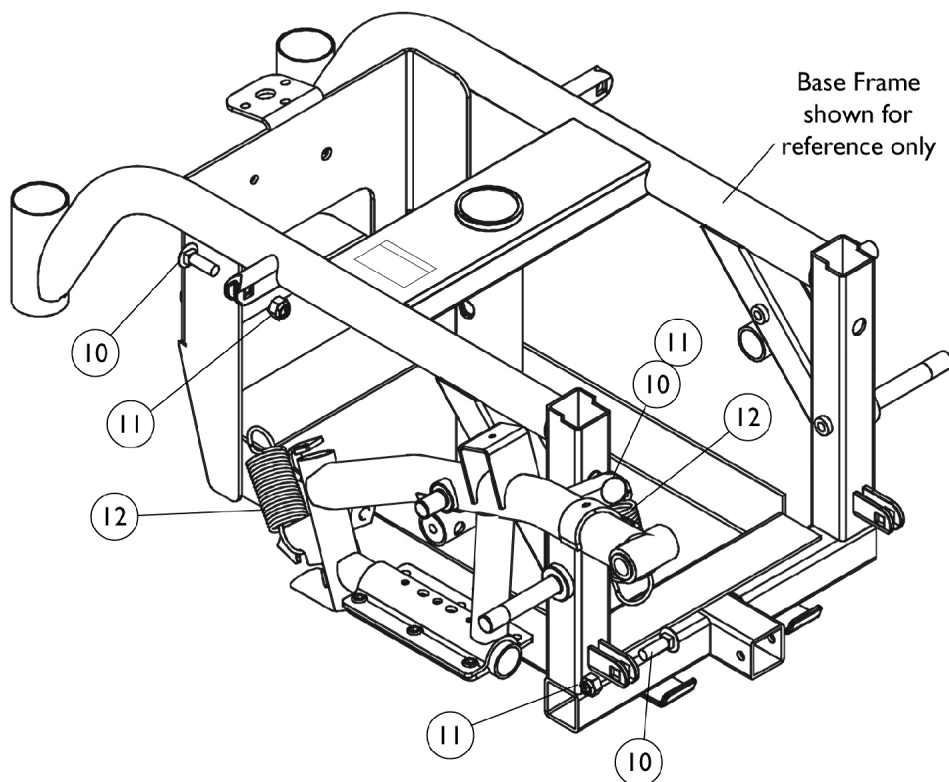
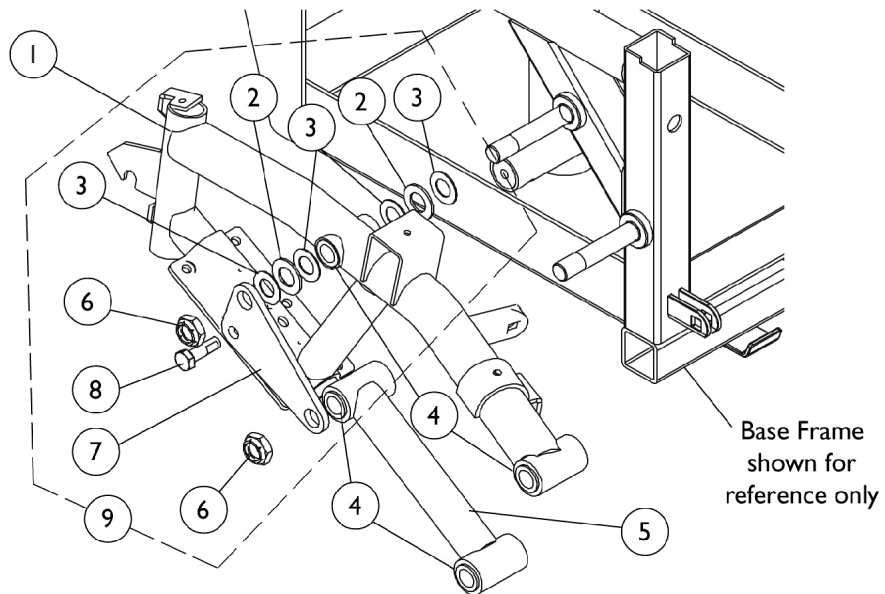
After 7/13/03



Base Frame and Van Seat Post Assembly After 7/13/03

Item Number	Note	Part Number	Description	Quantity Per	
				Package	Assembly
1		1116385-NLA	NLA - Post, Seat Pivot	1	1
2		1116402-NLA	NLA - Frame with Headtube Bearings, Black	1	1
3		1124252	Screw, Socket Head w/ Patch (3/8-16 x 2")	1	1
4		40117X006	Bearing (5/8")	1	4
5		1105026	Plug Button, Head Tube, Black	1	2
6	A	1116403-NLA	NLA - Frame with Seat Post and Hardware, Black	1	1
	B	1119281-NLA	NLA - Plate, Name, Patent Numbers	1	1
NOTE: A - Includes items 1-5 B - Not Shown					

SureStep Walking Beams and Hardware

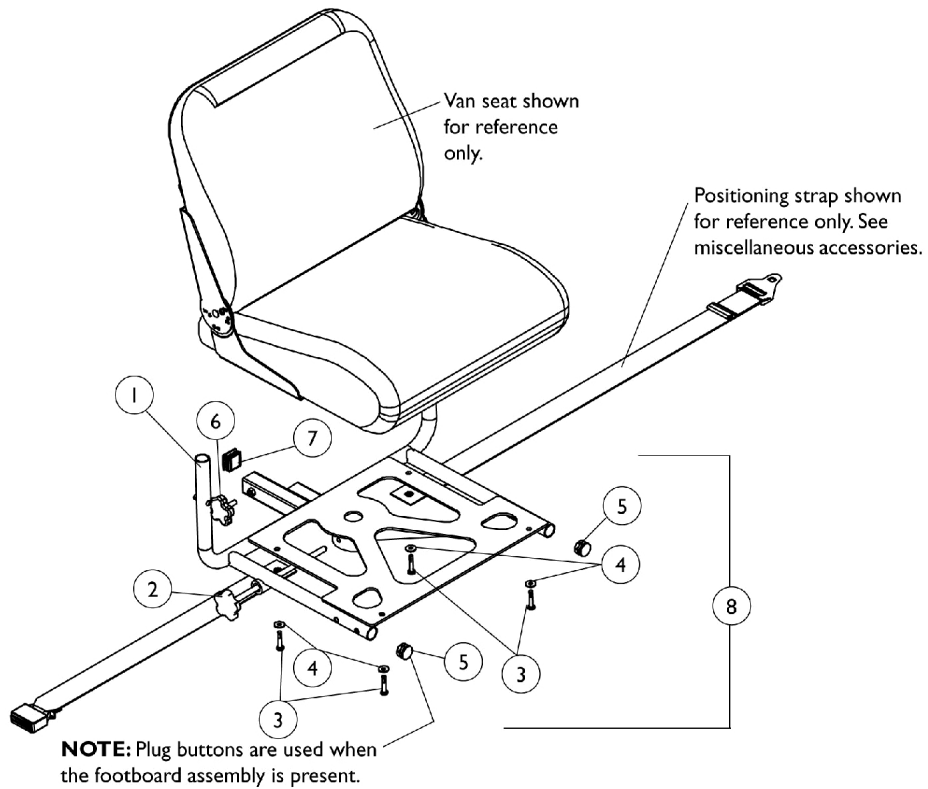


SureStep Walking Beams and Hardware

Item Number	Note	Part Number	Description	Quantity Per	
				Package	Assembly
1	A	1109025-NLA	NLA - Walking Beam, SureStep - Right	1	1
1	A	1109026-NLA	NLA - Walking Beam, SureStep - Left	1	1
2		40157X015-NLA	NLA - Washer, Nylon (9/16 x 1 x 5/8")	1	2
3		1106492-NLA	NLA - Washer (1/2 x 29/32 x 1/32")	1	4
4		1106485	Bushing (1/2 x 5/8")	1	8
5	A	1109018	Tube, Pivot, Black	1	1
6		1025737	Locknut (1/2-20)	1	2
7		1106078-NLA	NLA - Plate Reinforcement	1	1
8		1050161-NLA	NLA - Screw, Hex Head w/ Patch (5/16-18 x 1")	1	1
9	B	1108066-NLA	NLA - Kit, SureStep Walking Beam Hardware	1	1
10		1105030	Bolt, Round Head Square Neck (5/16-18 x 1")	1	3
11		1026158	Locknut (5/16-18)	1	3
12		1105028-NLA	NLA - Spring, Extension (1-1/4 x 3-1/2" L)	1	2
NOTE: A - Includes item 4 B - Includes items 2, 3, 6-8					

Van Seat Frame and Mounting Hardware Before 9/1/02

Note: Seat post can be found on the base frame assembly page.



Van Seat Frame and Mounting Hardware

Before 9/1/02

Note: Seat post can be found on the base frame assembly page.

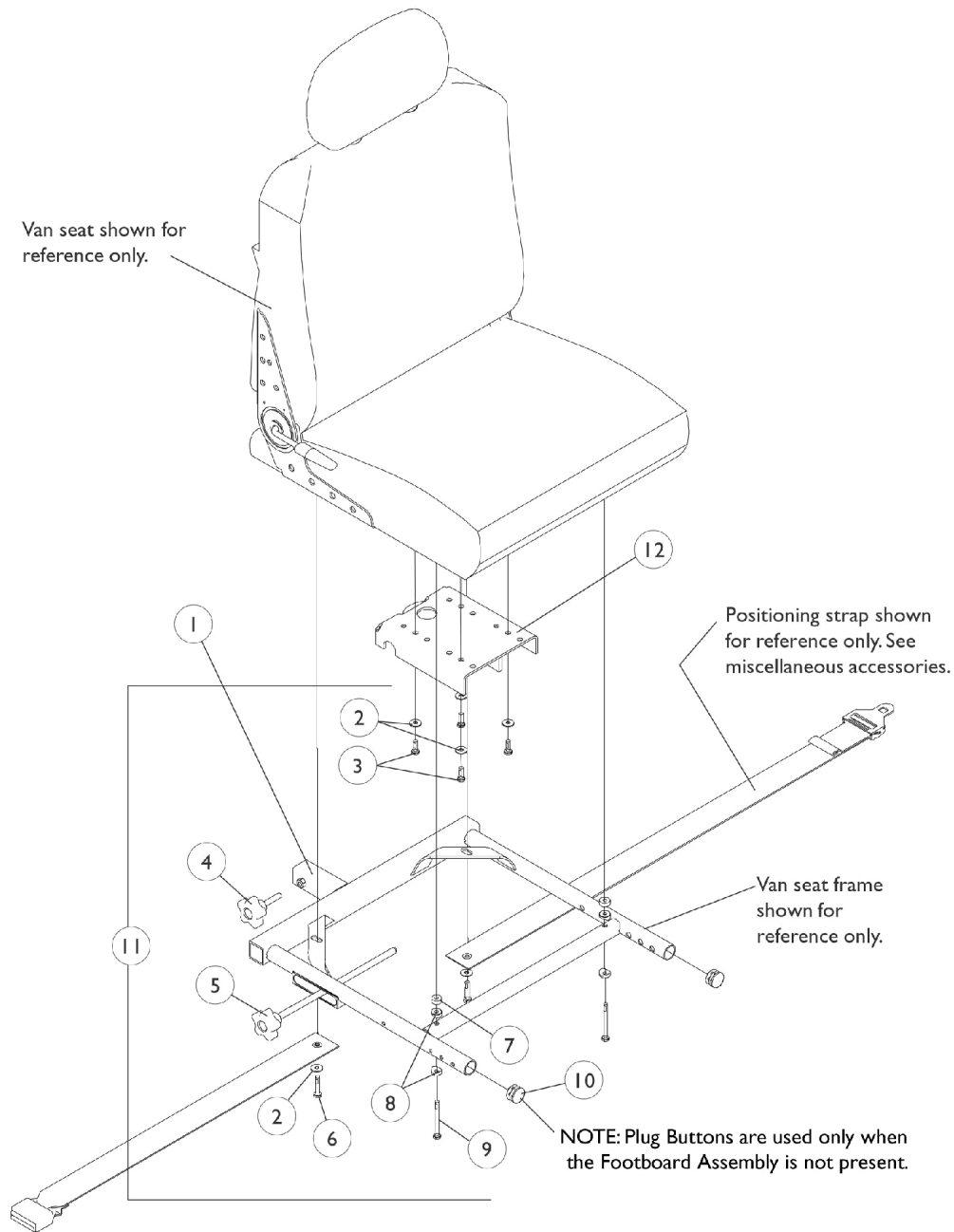
Item Number	Note	Part Number	Description	Quantity Per	
				Package	Assembly
1	B	1110597-NLA	NLA - Frame, Van Seat, Black	1	1
1	C	1111696-NLA	NLA - Frame, Van Seat, Black	1	1
2	B	1114998-NLA	NLA - Knob Assembly, Black (3/8-16 x 9-1/4")	1	1
2	C	1114999-NLA	NLA - Knob Assembly, Black (3/8-16 x 10-1/4")	1	1
3		1088897-NLA	NLA - Screw, Hex Head w/ Patch (1/4-20 x 1-1/4")	1	4
4		1026900	Washer (1/4 x 23/32 x 1/16")	1	4
5		1029501	Plug Button, Black (1")	1	2
6		1114911-NLA	NLA - Knob, Adjustment, Black (5/16-18 x 1-1/2")	1	1
7		1093289-NLA	NLA - Plug Button, Square, Black (1-1/4")	1	1
8	A,B	1109485-NLA	NLA - Hardware, Van Seat Mounting w/ Plug Buttons	1	1
8	B,D	1109491-NLA	NLA - Hardware, Van Seat Mounting w/ Plug Buttons	1	1
8	A,C	1111702-NLA	NLA - Hardware, Van Seat Mounting w/ Plug Buttons	1	1
8	C,D	1110623-NLA	NLA - Hardware, Van Seat Mounting w/ Plug Buttons	1	1

NOTE: A - Includes Items 2-7
 B - 18" Wide Seat
 C - 20" Wide Seat
 D - Includes Items 2-4, 6, 7

Van Seat Frame and Mounting Hardware

9/1/02 - 7/13/03

Note: Seat post can be found on the base frame assembly page.



Van Seat Frame and Mounting Hardware

9/1/02 - 7/13/03

Note: Seat post can be found on the base frame assembly page.

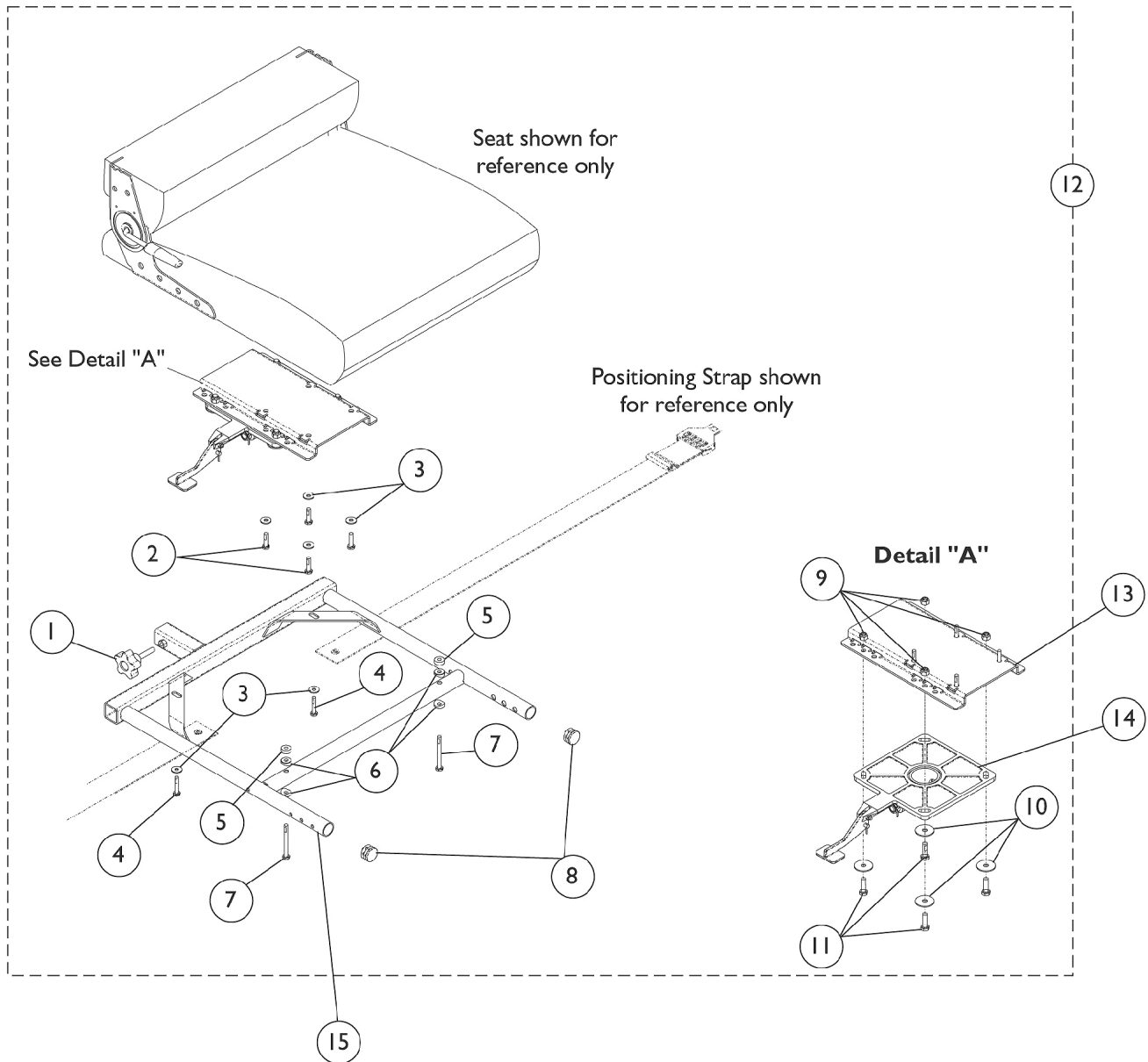
Item Number	Note	Part Number	Description	Quantity Per	
				Package	Assembly
1	C	1113656-NLA	NLA - Frame, Van Seat, Black	1	1
1	D	1114349	Frame, Van Seat, Black	1	1
2		1026900	Washer (1/4 x 23/32 x 1/16")	1	6
3		1025713-NLA	NLA - Screw, Hex Head (1/4-20 x 1")	1	4
4		1114911-NLA	NLA - Knob, Adjustment, Black (5/16-18 x 1-1/2")	1	1
5	C	1114998-NLA	NLA - Knob Assembly, Black (3/8-16 x 9-1/4")	1	1
5	D	1114999-NLA	NLA - Knob Assembly, Black (3/8-16 x 10-1/4")	1	1
6		1088897-NLA	NLA - Screw, Hex Head w/ Patch (1/4-20 x 1-1/4")	1	2
7		1108410	Spacer (1/4 x 5/8 x 1/4")	1	2
8		1026099	Spacer, Coved (1/4 x 11/16 x 1/2")	1	4
9		1109472-NLA	NLA - Screw, Hex Head w/Patch (1/4-20 x 2-1/2")	1	2
10		1029501	Plug Button, Black (1")	1	2
11	A,C	1114794	Hardware, Van Seat Mounting w/ Plug Buttons	1	1
11	B,C	1114795-NLA	NLA - Hardware, Van Seat Mounting w/ Plug Buttons	1	1
11	A,D	1114792-NLA	NLA - Hardware, Wide Van Seat Mounting w/ Plug Buttons	1	1
11	B,D	1114793	Hardware, Wide Van Seat Mounting w/o Plug Buttons	1	1
12		1113691-NLA	NLA - Bracket, Center Post, Black	1	1

NOTE: A - Includes items 2-10
 B - Includes items 2-9
 C - 18" Wide Seat
 D - 20" Wide Seat

Van Seat Frame and Mounting Hardware

After 7/13/03

If converting a wheelchair from a Semi-Recline Van Seat w/ Cushion to a Semi-Recline Van Seat w/ Solid Seat Base, a new Seat Mounting Bracket item #13 part number 1129722 is required also.



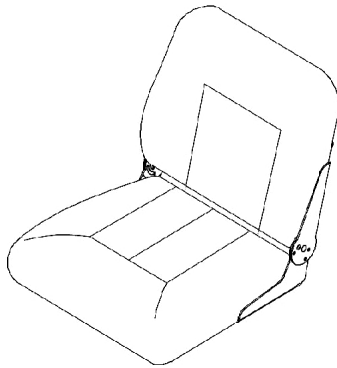
Van Seat Frame and Mounting Hardware

After 7/13/03

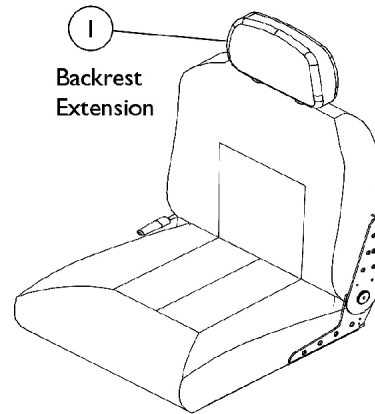
If converting a wheelchair from a Semi-Recline Van Seat w/ Cushion to a Semi-Recline Van Seat w/ Solid Seat Base, a new Seat Mounting Bracket item #13 part number 1129722 is required also.

Item Number	Note	Part Number	Description	Quantity Per	
				Package	Assembly
12	A,B	1119577	Kit, Van Seat Mounting Hardware	1	1
1			NLA - Knob, Adjustment, Black (5/16-18 x 1-1/2")	1	1
2			NLA - Screw, Hex Head Cap w/ Patch (1/4-20 x 1")	1	4
3			Washer (1/4 x 23/32 x 1/16")	1	6
4			NLA - Screw, Hex Head w/ Patch (1/4-20 x 1-1/4")	1	2
5			Spacer (1/4 x 5/8 x 1/4")	1	2
6			Spacer, Coved (1/4 x 11/16 x 1/2")	1	4
7			NLA - Screw, Hex Head w/Patch (1/4-20 x 2-1/2")	1	2
8			Plug Button, Black (1")	1	2
9			Locknut (5/16-18)	1	4
10			Washer, Steel (5/16 x 1-1/4 x 1/16")	1	4
11			Screw, Hex Head w/ Patch (5/16-18 x 1")	1	4
13	C	1116919	Bracket, Seat Mounting, Black	1	1
13	D	1129722	Bracket, Seat Mounting, Black	1	1
14		1116413-NLA	NLA - Pivot, Seat	1	1
15		1123391	Frame, Van Seat, Black (16" W)	1	1
15		1116392	Frame, Van Seat, Black (18" W)	1	1
15		1116393	Frame, Van Seat, Black (20" W)	1	1
NOTE: A - Item 8, Plug Buttons, are only used in the absence of front riggings. B - Includes items 1-11 C - Van Seats without Solid Seat Base D - Van Seats with Solid Seat Base					

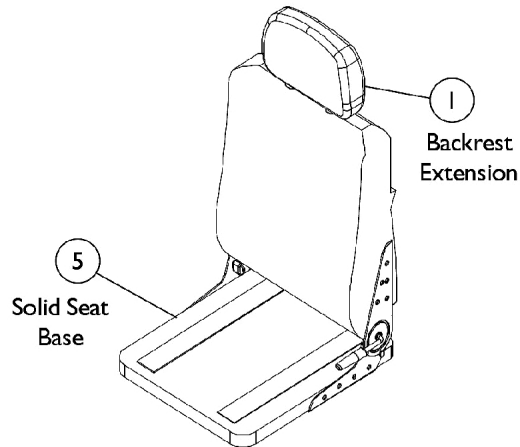
Van Seat Assembly



**#2 Van Seat
Fold Down,
Medium Back**



**#3 Van Seat
Semi-Recline**



**#4 Van Seat
Semi-Recline
w/ Solid Seat Base**

Van Seat Assembly

Item Number	Note	Part Number	Description	Quantity Per	
				Package	Assembly
1		1106969-NLA	NLA - Extension, Backrest, Van Seat, Grey Fabric	1	1
1		1108408	Extension, Backrest, Captain Seat, Grey Vinyl	1	1
1		1106968-NLA	NLA - Extension, Backrest, Van Seat, Tan Vinyl	1	1
2		See Chart	Fold Down Van Seat Assembly (18" Wide)	1	1
3		See Chart	Van Seat (Semi-Recline) Assembly	1	1
4		See Chart	Van Seat (Semi-Recline) w/ Solid Seat Base Assembly	1	1
5	A,B	1123384-NLA	NLA - Base, Solid, Captain Seat, Grey Vinyl (16" W)	1	1
5	A	1123385-NLA	NLA - Base, Solid, Van Seat, Grey Vinyl (18" W)	1	1
5	A	1159739	Base, Solid, Captain Seat, Grey Vinyl (18" W)	1	1
5	A	1123386-NLA	NLA - Base, Solid, Van Seat, Grey Vinyl (20" W)	1	1
5	A	1159740	Base, Solid, Captain Seat, Grey Vinyl (20" W)	1	1

NOTE: A - Solid Seat Base is the only item available for service parts with regard to the Van Seats. Seat Hinges are not included.
 B - 16" Solid Base is no longer available. A complete van seat should be ordered as replacement. See chart titled, "Van Seat (Semi-Recline) w/ Solid Seat Base Assembly."

#2 Fold Down Van Seat Assembly (18" Wide) (Backrest Not Offered)

All Grey Fabric Upholstery	All Grey Vinyl Upholstery	All Tan Vinyl Upholstery
N/A	1108837	N/A

Note: Fold down, medium back van seat has four stop angle adjustment settings that include 95, 100, 105, 110 degrees and adjustable seat depths of 16, 17, and 18".

#3 Van Seat (Semi-Recline) Assembly

Upholstery Type	Van Seat with Backrest 16" Wide	Van Seat with Backrest 18" Wide	Van Seat with Backrest 20" Wide	Hinge Bracket w/ Lever Semi-Recline Right	Hinge Bracket w/o Lever Semi-Recline Left	Screw, Phillips Truss Head (1/4-20 x 3/4")
All Grey Fabric	1150811-NLA	1109254-NLA	1159892-NLA	1116634 See Note(s) A	1116635 See Note(s) A	5000136 See Note(s) B
All Grey Vinyl	1150810	1109242	1159891	1116634 See Note(s) A	1116635 See Note(s) A	5000136 See Note(s) B
All Tan Vinyl	1150812-NLA	1109248-NLA	1159893-NLA	1116634 See Note(s) A	1116635 See Note(s) A	5000136 See Note(s) B

NOTE: A - Not Shown. Hinge Brackets used for ALL Semi-Recline Seat models only. For attaching Hinge Bracket, see part number 5000136.
 B - Not shown, Screw for Hinge Bracket(s) 1116634 and 1116635. Total of (7) required for each Bracket.

NOTE: Semi-recline Van Seat reclines approximately 90-114 degrees. Adjustable depths are (16, 17, 18" deep for 16 & 18" wide seats) and (18, 19, 20" deep for 20" wide seats). Recline release levers are standard on the right side. Left side release levers can be ordered as a special with a new van seat.

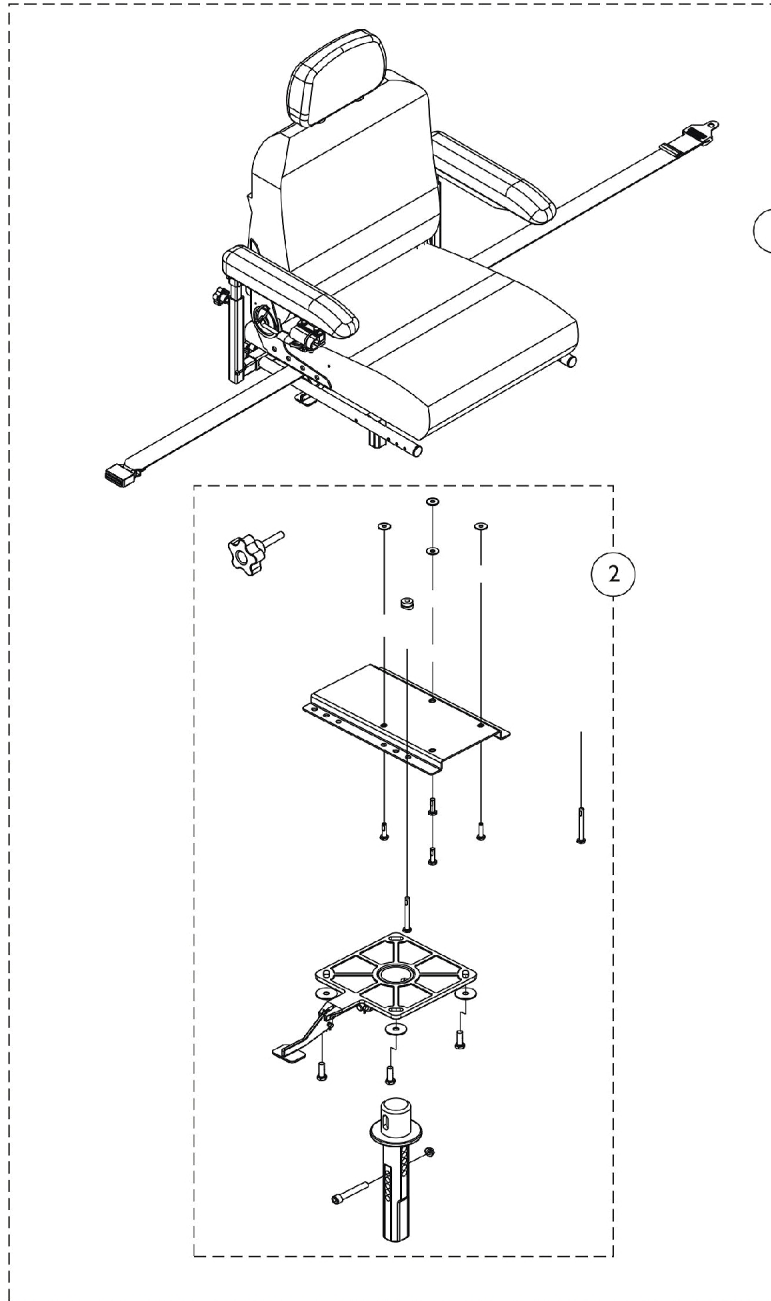
Van Seat Assembly

#4 Van Seat (Semi-Recline) w/ Solid Seat Base Assembly

Upholstery Type	Van Seat w/ Solid Seat and Backrest 16" Wide	Van Seat w/ Solid Seat and Backrest 18" Wide	Van Seat w/ Solid Seat and Backrest 20" Wide
All Grey Fabric	N/A	N/A	N/A
All Tan Vinyl	N/A	N/A	N/A
All Grey Vinyl	1150819 See Note(s) A	1150820 See Note(s) A	1159886 See Note(s) A
<p>NOTE: A - If converting a wheelchair from a Semi-Recline Van Seat w/ Cushion to a Semi-Recline Van Seat w/ Solid Seat Base, a new Seat Mounting Bracket part number 1129722 is required also. See page titled "Frames - Seat Van & Mounting Hardware (After 7/13/03)".</p> <p>NOTE: Semi-recline Van Seat reclines approximately 90-114 degrees. Adjustable depths are (16, 17, 18" deep for 16 & 18" wide seats) and (18, 19, 20" deep for 20" wide seats). Recline release levers are standard on the right side. Left side release levers can be ordered as a special with a new van seat.</p>			

Van Seat Upgrade Kits

Kits allow chairs to be upgraded to the current seat mounting design.



Van Seat Upgrade Kits

Kits allow chairs to be upgraded to the current seat mounting design.

#1 Van Seat Upgrade Kits (Chairs built Before 9/1/02)

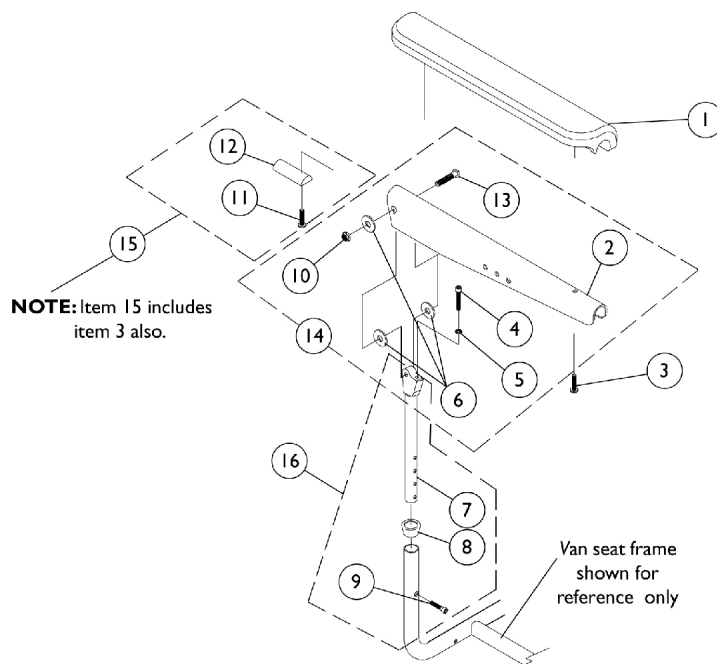
Chair Width	Arm Style	Fold Down Grey Vinyl Seat	Semi-Recline Grey Cloth Seat	Semi-Recline Grey Vinyl Seat	Semi-Recline Tan Vinyl Seat
18"	Fixed Height	1142525	1142515	1142516	1142517
18"	Adjustable Height	1142524	1142512-NLA	1142513	1142514
20"	Fixed Height	N/A	1142521	1142522	1142523
20"	Adjustable Height	N/A	1142482-NLA	1142519	1142520

Kits include Van Seat, Arms, Seat Frame, Positioning Strap, Joystick Bracket, Seat Post, Seat Pivot, All Mounting Hardware, and Instruction Sheet.

#2 Van Seat Upgrade Kit (Chairs built 9/1/02 - 7/13/03)

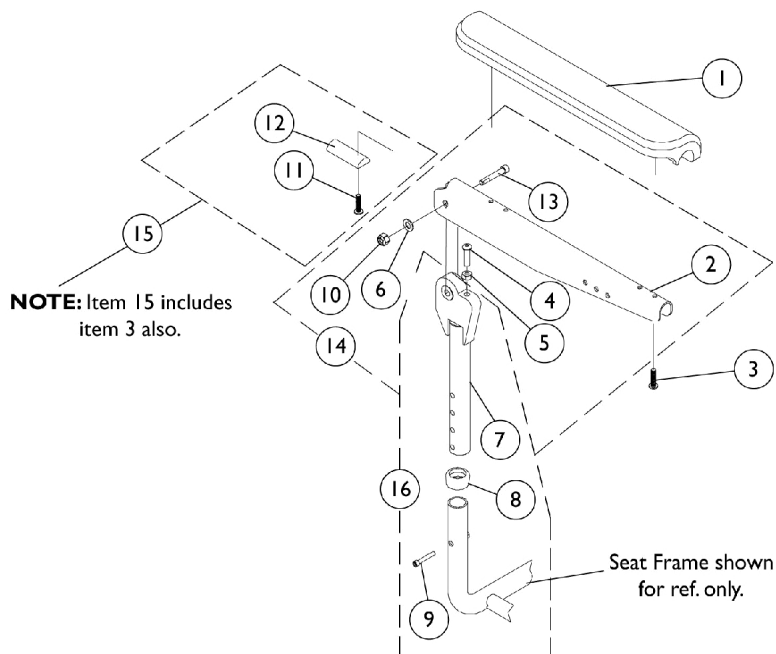
All Fold Down and Semi-Recline Van Seats
1142511-NLA
Kit includes Seat Mounting Bracket, Seat Pivot, Seat Post, All Mounting Hardware, and Instruction Sheet.

Arms - Van Seat and Hardware 18" Wide Models (Before 9/1/02)



Item Number	Note	Part Number	Description	Quantity Per	
				Package	Assembly
1		1117328	Kit, Arm Pad w/ Screws, Full Length, Urethane Waterfall, Black (13" L x 2-5/8" W)	1	2
2		1071359-NLA	NLA - Plate, Armrest (Black)	1	2
3		1028755	Screw, Phillips Pan Head (#10-32 x 5/8")	1	2
4		1009837	Screw, Socket Button Head (1/4-20 x 1")	1	2
5		1025711-NLA	NLA - Nut, Hex (1/4-20)	1	2
6		1025704	Washer, Flat (5/16 x 5/8 x 1/16")	1	6
7		1070928	Tube, Arm, Upper Height and Width Adjustable, Black	1	2
8		15680X013	Anti-Rattle (1")	1	2
9		1003545	Screw, Socket Head (1/4-20 x 1-1/4")	1	2
10		1026906-NLA	NLA - Locknut (5/16-24)	1	2
11		1102546-NLA	NLA - Screw, Phillips Pan Head (#10-32 x 7/8")	1	2
12		1070106-NLA	NLA - Insert, Armrest, Black	1	2
13		1031026	Screw w/ Lug (5/16-24 x 1-3/8")	1	2
14	A	1074120-NLA	NLA - Kit, Armrest Attaching Hardware (Pair)	2	1
15	B	1073378-NLA	NLA - Kit, Arm Pad Attaching Hardware	2	1
16	C	1070756-NLA	NLA - Arm Tube Assembly, Upper Adjustable (Pair)	2	1
NOTE: A - Includes items 2, 4, 5, 6, 10, 13 B - Includes items 3, 11, 12 C - Includes items 7-9					

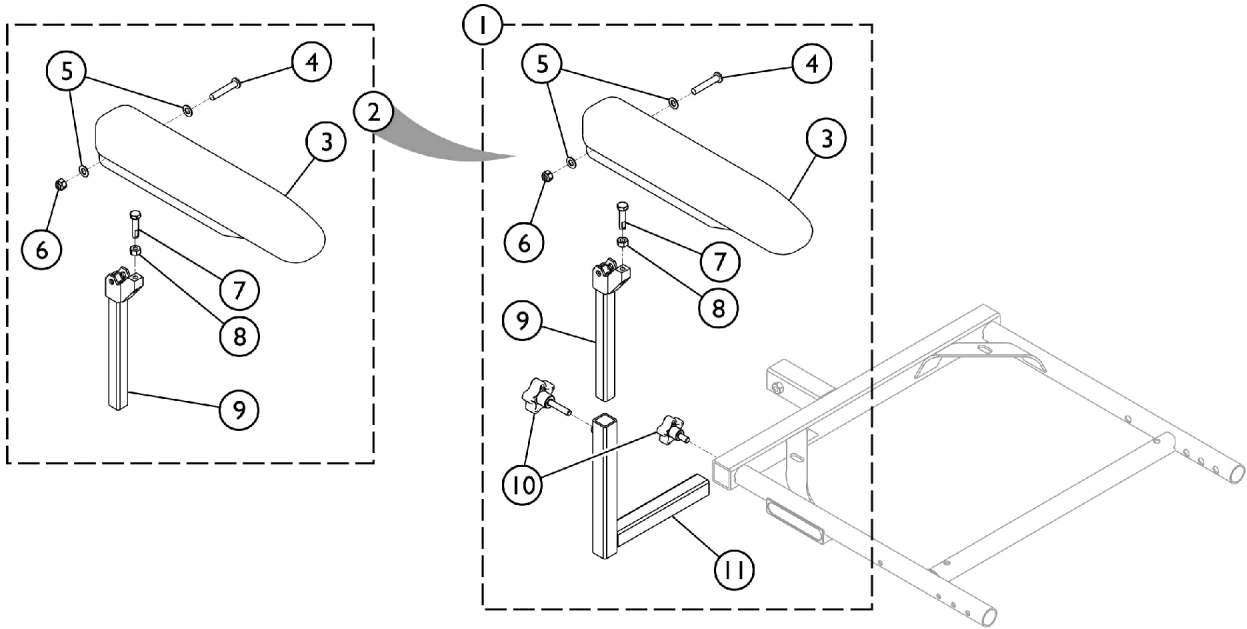
Arms - Van Seat and Hardware 20" Wide Models (Before 9/1/02)



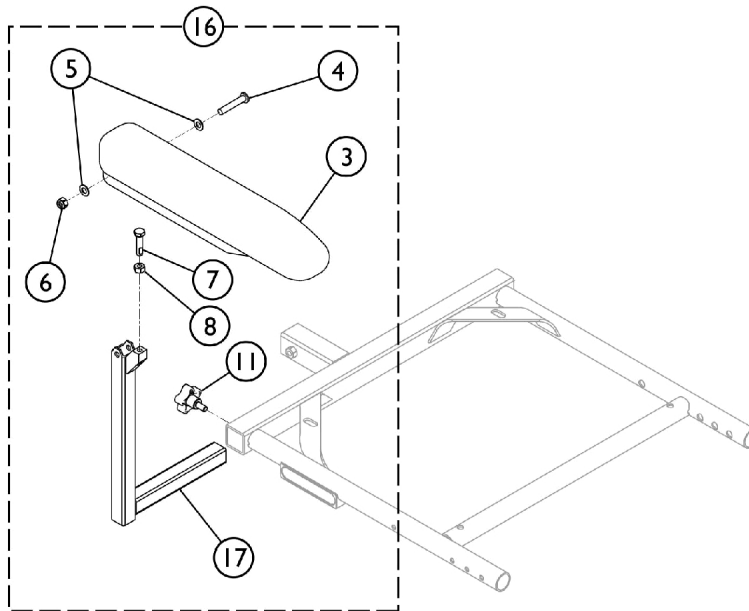
Item Number	Note	Part Number	Description	Quantity Per	
				Package	Assembly
1		1117328	Kit, Arm Pad w/ Screws, Full Length, Urethane Waterfall, Black (13" L x 2-5/8" W)	1	2
2		1101912-NLA	NLA - Plate, Armrest	1	2
3		1028755	Screw, Phillips Pan Head (#10-32 x 5/8")	1	2
4		1009837	Screw, Socket Button Head (1/4-20 x 1")	1	2
5		1025711-NLA	NLA - Nut, Hex (1/4-20)	1	2
6		1025704	Washer, Flat (5/16 x 5/8 x 1/16")	1	2
7		1101914-NLA	NLA - Tube, Arm, Upper Adjustable, Black	1	2
8		1101110-NLA	NLA - Anti-Rattle	1	2
9		1038379	Screw, Socket Head Cap w/ Patch (1/4-20 x 1-1/2")	1	2
10		1026906-NLA	NLA - Locknut (5/16-24)	1	2
11		1102546-NLA	NLA - Screw, Phillips Pan Head (#10-32 x 7/8")	1	2
12		1101634-NLA	NLA - Insert, Armrest, Black	1	2
13		1031026	Screw w/ Lug (5/16-24 x 1-3/8")	1	2
14	A	1101917-NLA	NLA - Hardware, Armrest Attaching (Pair)	2	1
15	B	1101916-NLA	NLA - Hardware, Arm Pad Attaching (Pair)	2	1
16	C	1101915-NLA	NLA - Arm Tube Assembly, Upper Adjustable (Pair)	2	1
NOTE: A - Includes items 2, 4, 5, 6, 10, 13 B - Includes items 3, 11, 12 C - Includes items 7-9					

Arms - Van Seat and Hardware

16-20" Wide Models (After 8/31/02)



Adjustable Height/Adjustable Width Arm Assembly



Fixed Height/Adjustable Width Arm Assembly

SHEP_023A

Arms - Van Seat and Hardware 16-20" Wide Models (After 8/31/02)

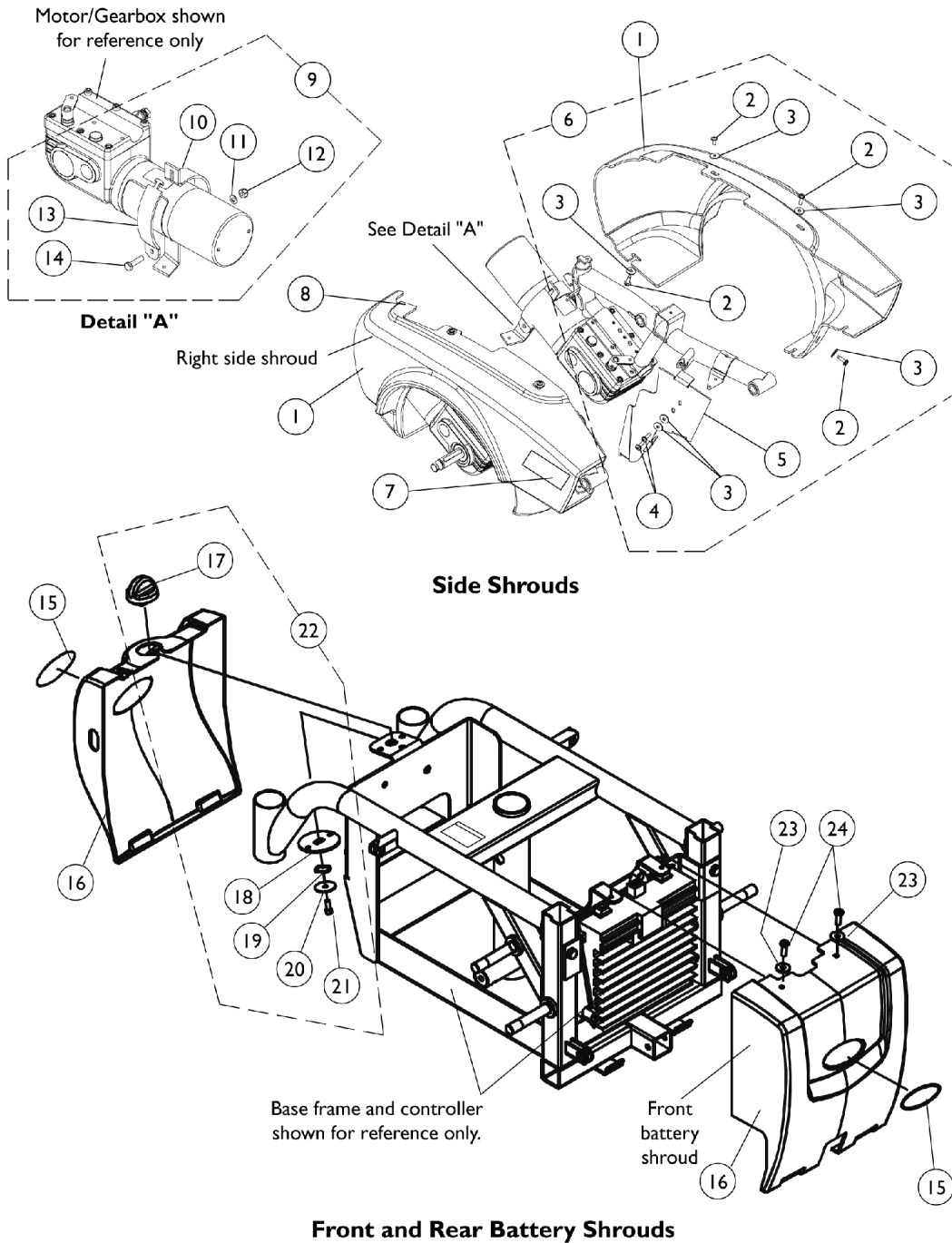
Item Number	Note	Part Number	Description	Quantity Per	
				Package	Assembly
1	A	1142474	Arm Assembly, Adj. Height, Full Length, Black - Right	1	1
1	A	1142475	Arm Assembly, Adj. Height, Full Length, Black - Left	1	1
1	A	1142492	Arm Assembly, Adj. Height, Desk Length, Black - Left	1	1
1	A	1142493	Arm Assembly, Adj. Height, Desk Length, Black - Right	1	1
2	B	1142487	Upper Arm Assembly, Desk Length (Right/Left)	1	1
3			Arm Pad, Desk Length, Black Urethane (12-1/4" L x 2-5/8" W)	1	1
4			Screw, Socket Head w/ Patch (5/16-18 x 1-3/4")	1	1
5			Washer, Flat (5/16 x 5/8 x 1/16")	1	2
6			Locknut (5/16-18)	1	1
7			Screw, Hex Head w/ Patch (5/16-18 x 1-1/4")	1	1
8			NLA - Nut, Hex (5/16-18)	1	1
9			Tube, Arm, Upper Adjustable Height, Black	1	1
2	B	1140426	Upper Arm Assembly, Full Length (Right/Left)	1	1
3			Arm Pad, Full Length, Urethane, Black (15" L x 2-5/8" W)	1	1
4			Screw, Socket Head w/ Patch (5/16-18 x 1-3/4")	1	1
5			Washer, Flat (5/16 x 5/8 x 1/16")	1	2
6			Locknut (5/16-18)	1	1
7			Screw, Hex Head w/ Patch (5/16-18 x 1-1/4")	1	1
8			NLA - Nut, Hex (5/16-18)	1	1
9			Tube, Arm, Upper Adjustable Height, Black	1	1
3		1139923	Arm Pad, Desk Length, Black Urethane (12-1/4" L x 2-5/8" W)	1	1
3		1139924	Arm Pad, Full Length, Urethane, Black (15" L x 2-5/8" W)	1	1
10		1114910	Knob, Adjustment, Black (5/16-18 x 3/4")	1	2
11		1113646	Tube, Arm, Lower Adjustable Width, Black - Right	1	1
11		1113647	Tube, Arm, Lower Adjustable Width, Black - Left	1	1
16	C	1142488	Arm Assembly, Desk Length Fixed Height - Right	1	1
3			Arm Pad, Desk Length, Black Urethane (12-1/4" L x 2-5/8" W)	1	1
4			Screw, Socket Head w/ Patch (5/16-18 x 1-3/4")	1	1
5			Washer, Flat (5/16 x 5/8 x 1/16")	1	2
6			Locknut (5/16-18)	1	1
7			Screw, Hex Head w/ Patch (5/16-18 x 1-1/4")	1	1
8			NLA - Nut, Hex (5/16-18)	1	1
10			Knob, Adjustment, Black (5/16-18 x 3/4")	1	1
17			NLA - Tube, Arm, Fixed Height, Black - Right	1	1
16	C	1142489	Arm Assembly, Desk Length Fixed Height - Left	1	1
2			Arm Pad, Desk Length, Black Urethane (12-1/4" L x 2-5/8" W)	1	1

Arms - Van Seat and Hardware 16-20" Wide Models (After 8/31/02)

Item Number	Note	Part Number	Description	Quantity Per	
				Package	Assembly
3			Screw, Socket Head w/ Patch (5/16-18 x 1-3/4")	1	1
4			Washer, Flat (5/16 x 5/8 x 1/16")	1	2
5			Locknut (5/16-18)	1	1
6			Screw, Hex Head w/ Patch (5/16-18 x 1-1/4")	1	1
7			NLA - Nut, Hex (5/16-18)	1	1
10			Knob, Adjustment, Black (5/16-18 x 3/4")	1	1
17			NLA - Tube, Arm, Fixed Height, Black - Left	1	1
16	C	1142483	Arm Assembly, Full Length Fixed Height - Right	1	1
3			Arm Pad, Full Length, Urethane, Black (15" L x 2-5/8" W)	1	1
4			Screw, Socket Head w/ Patch (5/16-18 x 1-3/4")	1	1
5			Washer, Flat (5/16 x 5/8 x 1/16")	1	2
6			Locknut (5/16-18)	1	1
7			Screw, Hex Head w/ Patch (5/16-18 x 1-1/4")	1	1
8			NLA - Nut, Hex (5/16-18)	1	1
10			Knob, Adjustment, Black (5/16-18 x 3/4")	1	1
17			NLA - Tube, Arm, Fixed Height, Black - Right	1	1
16	C	1142486	Arm Assembly, Full Length Fixed Height - Left	1	1
3			Arm Pad, Full Length, Urethane, Black (15" L x 2-5/8" W)	1	1
4			Screw, Socket Head w/ Patch (5/16-18 x 1-3/4")	1	1
5			Washer, Flat (5/16 x 5/8 x 1/16")	1	2
6			Locknut (5/16-18)	1	1
7			Screw, Hex Head w/ Patch (5/16-18 x 1-1/4")	1	1
8			NLA - Nut, Hex (5/16-18)	1	1
10			Knob, Adjustment, Black (5/16-18 x 3/4")	1	1
17			NLA - Tube, Arm, Fixed Height, Black - Left	1	1
NOTE: A - Includes items 2 - 11. B - Includes items 3 - 9. C - Includes items 3 - 8, 10, and item 17.					

Shrouds and Attaching Hardware

Before 7/14/03



Shrouds and Attaching Hardware

Before 7/14/03

**Item #1 Side Shrouds
(Includes Items 7 and 8)**

(Before 7/24/02)

Dark Blue Metallic

ProntoM50 Right	ProntoM50 Left	ProntoM51 Right	ProntoM51 Left
1110618-NLA	1110619-NLA	1110621-NLA	1110622-NLA

Note: When side shrouds become no longer available, refer to the side shroud pair number listed after 7/23/02.

(After 7/23/02)

Dark Blue Pearl

ProntoM50 Right	ProntoM50 Left	ProntoM50 Pair	ProntoM51 Right	ProntoM51 Left	ProntoM51 Pair
1112813-NLA	1112814-NLA	1112819-NLA	1112815-NLA	1112816-NLA	1112821-NLA See Note(s) A

NOTE: A - No longer available. Use either 1112815 or 1112816 as the replacement.

(Before 8/9/02)

Candy Apple Red

ProntoM50 Right	ProntoM50 Left	ProntoM51 Right	ProntoM51 Left
1110606-NLA	1110607-NLA	1110608-NLA	1110609-NLA

Note: When side shrouds become no longer available, refer to the side shroud pair number listed after 8/8/02.

(After 8/8/02)

Candy Red Pearl

ProntoM50 Right	ProntoM50 Left	ProntoM50 Pair	ProntoM51 Right	ProntoM51 Left	ProntoM51 Pair
1112807-NLA	1112808-NLA	1112820-NLA	1112809-NLA	1112806-NLA	1112822-NLA

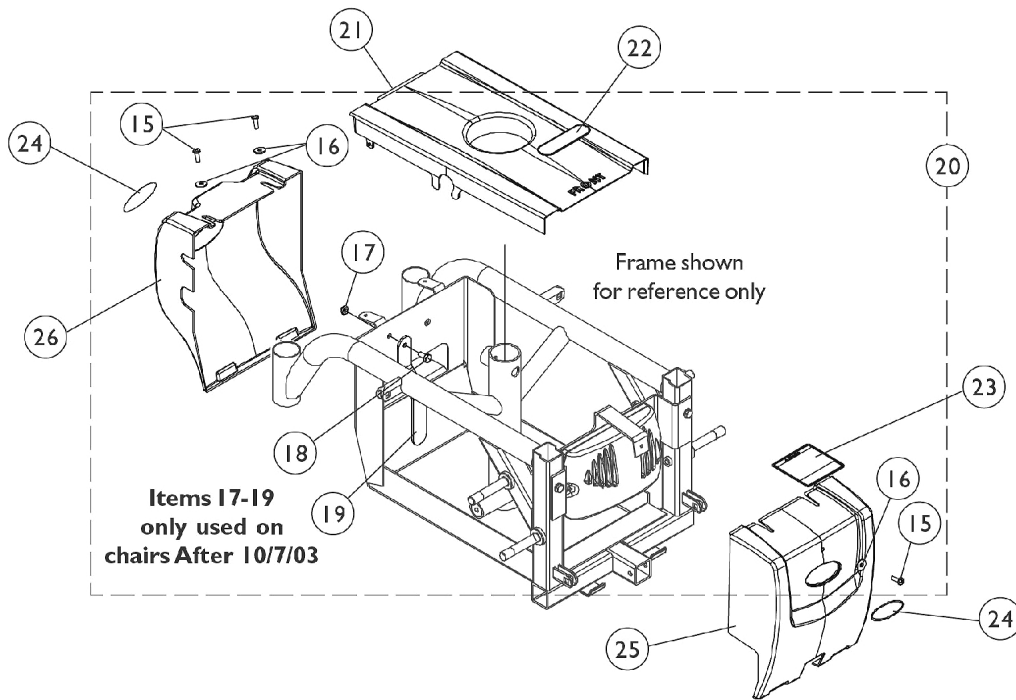
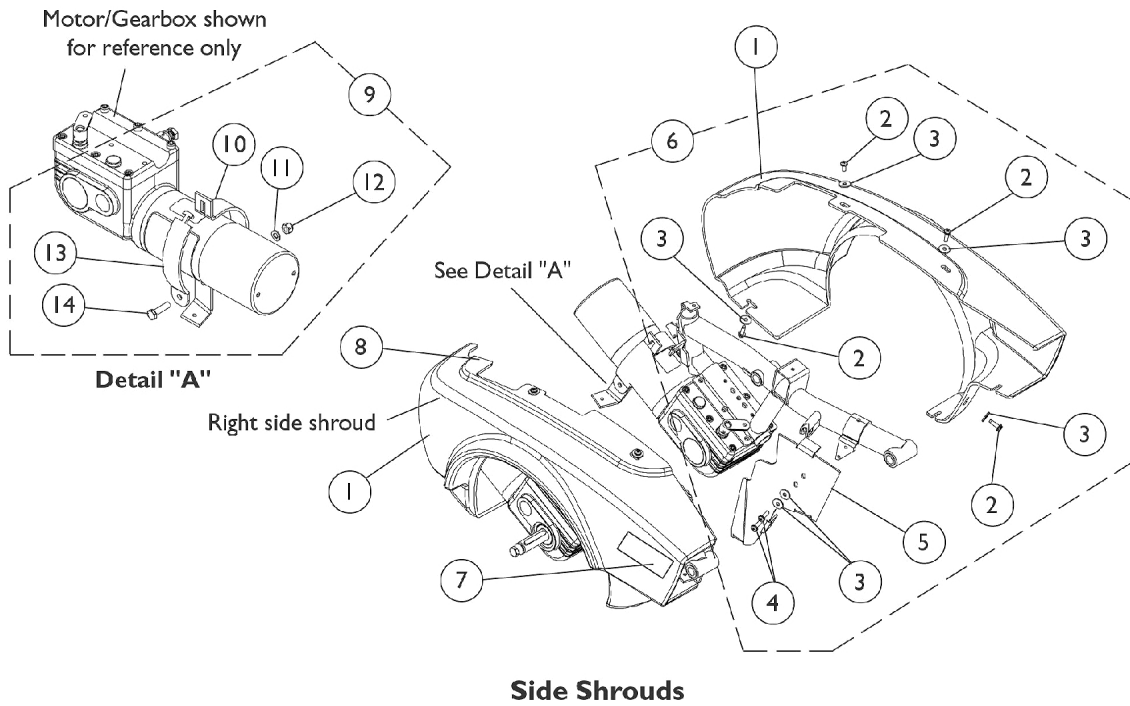
Shrouds and Attaching Hardware Before 7/14/03

Item Number	Note	Part Number	Description	Quantity Per	
				Package	Assembly
1		See Chart	#1 Side Shrouds Dark Metallic Blue Before 7/24/02	1	1
1		See Chart	#1 Side Shrouds Candy Red Pearl After 8/8/02	1	1
1		See Chart	#1 Side Shrouds Dark Blue Pearl After 7/23/02	1	1
1		See Chart	#1 Side Shrouds Dark Metallic Blue Before 7/24/02	1	1
2		1025451	Screw, Slotted Hex Washer Head (#10-32 x 5/8")	1	8
3		1070587	Washer, Flat (3/16 x 5/8 x 1/16")	1	12
4		1028755	Screw, Phillips Pan Head (#10-32 x 5/8")	1	4
5		1106366-NLA	NLA - Plate, Shroud -Right	1	1
5		1106367-NLA	NLA - Plate, Shroud -Left	1	1
6	A	1106343-NLA	NLA - Hardware, Shroud, Side (1 Pair)	2	1
7		1110604-NLA	NLA - Decal, Shroud - M50	1	1
7		1110605	Decal, Shroud - M51	1	1
8		1104797	Decal, Drive/Push	1	1
9	B	1108464-NLA	NLA - Kit, Shroud Clamp Hardware - Right	1	1
9	B	1108465-NLA	NLA - Kit, Shroud Clamp Hardware - Left	1	1
10		1109036-NLA	NLA - Bracket, Clamp Shroud Mounting, Black - Right	1	1
10		1109037-NLA	NLA - Bracket, Clamp Shroud Mounting, Black - Left	1	1
11		1026907	Washer (1/4 x 1/2 x 1/16")	1	1
12		1025736	Locknut (1/4-20)	1	1
13		1109035-NLA	NLA - Clamp, Shroud	1	1
14		1025713-NLA	NLA - Screw, Hex Head (1/4-20 x 1")	1	1
15		1095489	Decal, Invacare 3-D Logo (2-1/2" L)	1	2
16		1106502-NLA	NLA - Battery Shroud without Decal, Black - Front	1	1
16		1109480-NLA	NLA - Battery Shroud without Decal, Black - Rear	1	1
17		1109033-NLA	NLA - Knob, Shroud, Black	1	1
18		1109034-NLA	NLA - Plate, Latch Shroud	1	1
19		1108475-NLA	NLA - Washer, Wave (17/32 x 3/4 x 1/64")	1	1
20		1109031-NLA	NLA - Washer, Steel (13/64 x 1 x 3/64")	1	1
21		1113438-NLA	NLA - 3Screw, Socket Head (#10-32 x 1/2")	1	1
22	C	1112284-NLA	NLA - Hardware, Shroud Mounting - Rear	1	1
23		1070587	Washer, Flat (3/16 x 5/8 x 1/16")	1	2
24		1028755	Screw, Phillips Pan Head (#10-32 x 5/8")	1	2

NOTE: A - Includes items 2-5
B - Includes items 10-14
C - Includes items 17-21

Shrouds, Battery Cover, and Attaching Hardware

After 7/13/03



Shrouds, Battery Cover, and Attaching Hardware

After 7/13/03

#1 Dark Blue Pearl

ProntoM50 Right	ProntoM50 Left	ProntoM50 Pair	ProntoM51 Right	ProntoM51 Left	ProntoM51 Pair
1112813-NLA	1112814-NLA	1112819-NLA	1112815-NLA	1112816-NLA	1112821-NLA

#1 Candy Red Pearl

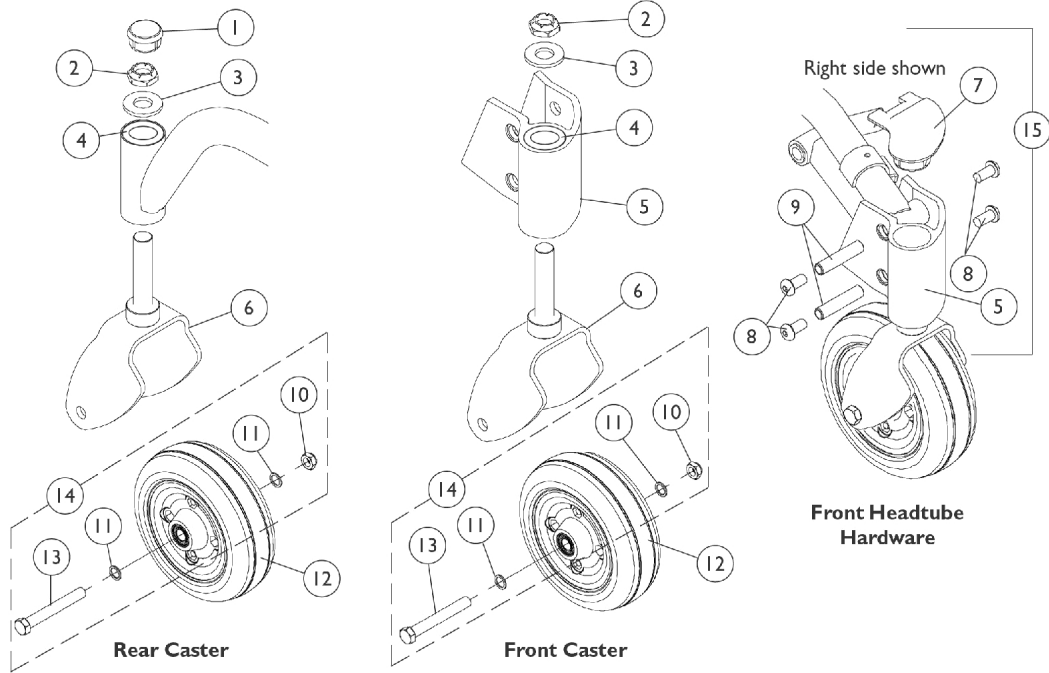
ProntoM50 Right	ProntoM50 Left	ProntoM50 Pair	ProntoM51 Right	ProntoM51 Left	ProntoM51 Pair
1112807-NLA	1112808-NLA	1112820-NLA	1112809-NLA	1112806-NLA	1112822-NLA

Shrouds, Battery Cover, and Attaching Hardware After 7/13/03

Item Number	Note	Part Number	Description	Quantity Per	
				Package	Assembly
1	E	See Chart	#1 Side Shrouds Candy Red Pearl	1	1
1	E	See Chart	#1 Side Shrouds Dark Blue Pearl	1	1
2		1025451	Screw, Slotted Hex Washer Head (#10-32 x 5/8")	1	8
3		1070587	Washer, Flat (3/16 x 5/8 x 1/16")	1	12
4		1028755	Screw, Phillips Pan Head (#10-32 x 5/8")	1	4
5		1106366-NLA	NLA - Plate, Shroud -Right	1	1
5		1106367-NLA	NLA - Plate, Shroud -Left	1	1
6	B	1106343-NLA	NLA - Hardware, Shroud, Side (1 Pair)	2	1
7		1110604-NLA	NLA - Decal, Shroud - M50	1	1
7		1110605	Decal, Shroud - M51	1	1
8		1104797	Decal, Drive/Push	1	1
9	C	1108464-NLA	NLA - Kit, Shroud Clamp Hardware - Right	1	1
9	C	1108465-NLA	NLA - Kit, Shroud Clamp Hardware - Left	1	1
10		1109036-NLA	NLA - Bracket, Clamp Shroud Mounting, Black - Right	1	1
10		1109037-NLA	NLA - Bracket, Clamp Shroud Mounting, Black - Left	1	1
11		1026907	Washer (1/4 x 1/2 x 1/16")	1	1
12		1025736	Locknut (1/4-20)	1	1
13		1109035-NLA	NLA - Clamp, Shroud	1	1
14		1025713-NLA	NLA - Screw, Hex Head (1/4-20 x 1")	1	1
15		1028755	Screw, Phillips Pan Head (#10-32 x 5/8")	1	3
16		1070587	Washer, Flat (3/16 x 5/8 x 1/16")	1	3
17	A	1025195	NLA - Locknut (1/4-20)	1	1
18	A	1025752-NLA	NLA - Screw, Hex Head (1/4-20 x 1-1/2")	1	1
19	A	1122234-NLA	NLA - Bracket, Battery, Black	1	1
20	A,D	1119582-NLA	NLA - Hardware, Battery Shroud	1	1
21		1116388	Cover, Battery	1	1
22		1119281-NLA	NLA - Plate, Name, Patent Numbers	1	1
23		1122126-NLA	NLA - Label, Battery Warning	1	1
24		1095489	Decal, Invacare 3-D Logo (2-1/2" L)	1	2
25		1123236-NLA	NLA - Battery Shroud with Decals, Black - Front	1	1
26		1123241-NLA	NLA - Battery Shroud with Decal, Black - Rear	1	1

NOTE: A - Items 17-19 are only used on chairs built After 10/7/03.
 B - Includes items 2-5
 C - Includes items 10-14
 D - Includes items 15-19
 E - Includes decals, items 7 and 8

Casters, Forks and Hardware

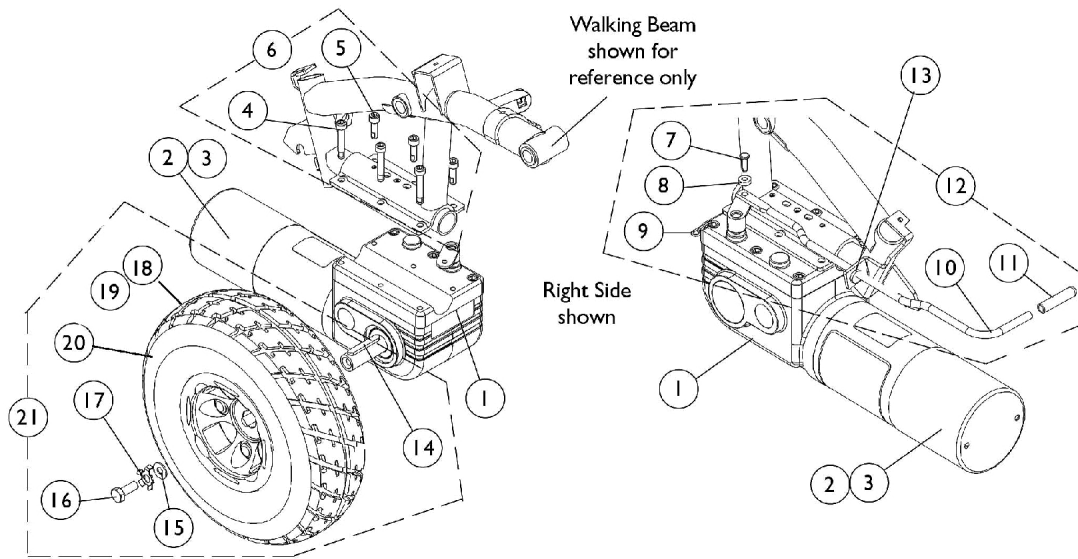


Casters, Forks and Hardware

Item Number	Note	Part Number	Description	Quantity Per	
				Package	Assembly
1		1105026	Plug Button, Head Tube, Black	1	1
2		1028550	Locknut (5/8-18)	1	1
3		1041444	Washer, Nylon (5/8 x 1-5/16 x 1/8")	1	1
4		40117X006	Bearing (5/8")	1	2
5		1109014-NLA	NLA - Headtube, Caster, Black - Right	1	1
5		1109015-NLA	NLA - Headtube, Caster, Black - Left	1	1
6	E	1123904-NLA	NLA - Kit, Fork and Stem, Black (Pair)	2	1
6	F	1106355	Fork and Stem Assembly	1	1
7		1105024	Cap, Front Head Tube, Black - Right	1	1
7		1105025	Cap, Front Head Tube, Black - Left	1	1
8		1109222	Screw, Socket Button Head Cap (3/8-24 x 3/4")	1	4
9		1106511	Bushing (3/8 x 1/2 x 2-1/8")	1	2
10		1025734	Locknut (7/16-20)	1	1
11		1025724	Washer, Steel (15/32 x 5/8 x 3/64")	1	2
12	C	1072014-NLA	NLA - Wheel Assembly, Semi-Pneumatic, Urethane (6" x 2")	1	1
12	D	1115179	Wheel Assembly, Semi-Pneumatic, Urethane, Deep Profile, Grey Tire/Black Hub (6" x 2")	1	1
12	D	1122066	Wheel Assembly, Semi-Pneumatic, Urethane, Deep Profile, Grey Tire/Black Hub (6" x 2") (Pair)	2	1
13		1025726	Screw, Hex Head (7/16-20 x 3-1/4")	1	1
14	A	1042489	Hardware, Caster Axle	1	2
15	B	1109016-NLA	NLA - Head Tube, Caster with Hardware - Right	1	1
15	B	1109017	Head Tube, Caster with Hardware - Left	1	1

NOTE: A - Includes items 10, 11, and 13 to accommodate 1 side.
 B - Includes items 5, 7-9
 C - Chairs made before 7/14/03. Due to product improvement, it is recommended to order (pair) number 1122066 dated after 7/13/03 so each side matches. The deep profile caster has 2 tread grooves w/ round corners instead of 4 tread grooves w/ square corners.
 D - For chairs made after 7/13/03. The pair number is also used for converting casters on chairs made before 7/14/03.
 E - Chairs built Before 12/1/03. Due to design change, forks need to be replace in pairs.
 F - Chairs built After 11/30/03

Motor, Gearbox and Drive Wheel



Motor, Gearbox and Drive Wheel

Item Number	Note	Part Number	Description	Quantity Per	
				Package	Assembly
1	A	1106490	Motor/Gearbox Assembly - Right	1	1
1	A	1106491	Motor/Gearbox Assembly - Left	1	1
1	B	1111705-NLA	NLA - Motor/Gearbox Assembly - Right	1	1
1	B	1111706-NLA	NLA - Motor/Gearbox Assembly - Left	1	1
1	F	1127394	Motor/Gearbox Assembly - Right	1	1
1	F	1127394E-NLA	WARR RPLMT - Motor/Gearbox Assembly - Right	1	1
1	F	1127395-NLA	NLA - Motor/Gearbox Assembly - Left	1	1
1	F	1127395E-NLA	NLA - WARR RPLMT - Motor/Gearbox Assembly - Left	1	1
2		1038361-NLA	NLA - Kit, Motor/Brake Covers with Screws	2	1
3		1123528-NLA	NLA - Kit, Motor Brush - Internal (Large)	2	1
6	C	1141284	Kit, Motor Mounting Hardware	1	1
4			NLA - Screw, Socket Head (M6 x 1 x 30mm)	1	3
5			Screw, Socket w/ Patch (M6 x 1 x 20mm)	1	3
7		1112249-NLA	NLA - Pin, Clevis, Black (1/4 x 37/64")	1	1
8		1026034-NLA	NLA - Washer, Nylon (3/16 x 7/16 x 1/8")	1	1
9		1115715-NLA	NLA - Pin, Bridge	1	1
10		1112251-NLA	NLA - Lever, Motor Release	1	1
11		1040060	Tip, Plastic, Black	1	1
12	D	1121978-NLA	NLA - Kit, Motor Lever and Mounting Hardware	1	1
13		1071562-NLA	NLA - Bushing, Snap	1	1
21	E,G	1102338	Kit, Drive Wheel with Mounting Hardware - Pneumatic (10" x 3")	1	1
14			Key (6mm x 6mm x 40mm)	1	1
15			Washer, Flat (21/64 x 53/64 x 7/64")	1	1
16			Screw (M8 x 1.25 x 20mm)	1	1
17			Kit, Locking Tab Washer w/ Instruction Sheet (Pair)	2	1
20			NLA - Wheel Assembly, Drive w/ Bearings, Pneumatic (10" x 3")	1	1
18		1109005	Tire, Pneumatic, Grey (10" x 3")	1	1
19		1109028-NLA	NLA - Tube, Inner (10 x 3")	1	1
21	E,H	1102339	Kit, Drive Wheel with Mounting Hardware - Flat Free (10 x 3")	1	1
14			Key (6mm x 6mm x 40mm)	1	1
15			Washer, Flat (21/64 x 53/64 x 7/64")	1	1
16			Screw (M8 x 1.25 x 20mm)	1	1
17			Kit, Locking Tab Washer w/ Instruction Sheet (Pair)	1	1
20			Drive Wheel Assembly, Flat Free Foam, Grey	1	1
			Tire/Black Rim (10" x 3")		
18		1102342	Tire w/ Foam Fill Insert, Grey (10" x 3")	1	1

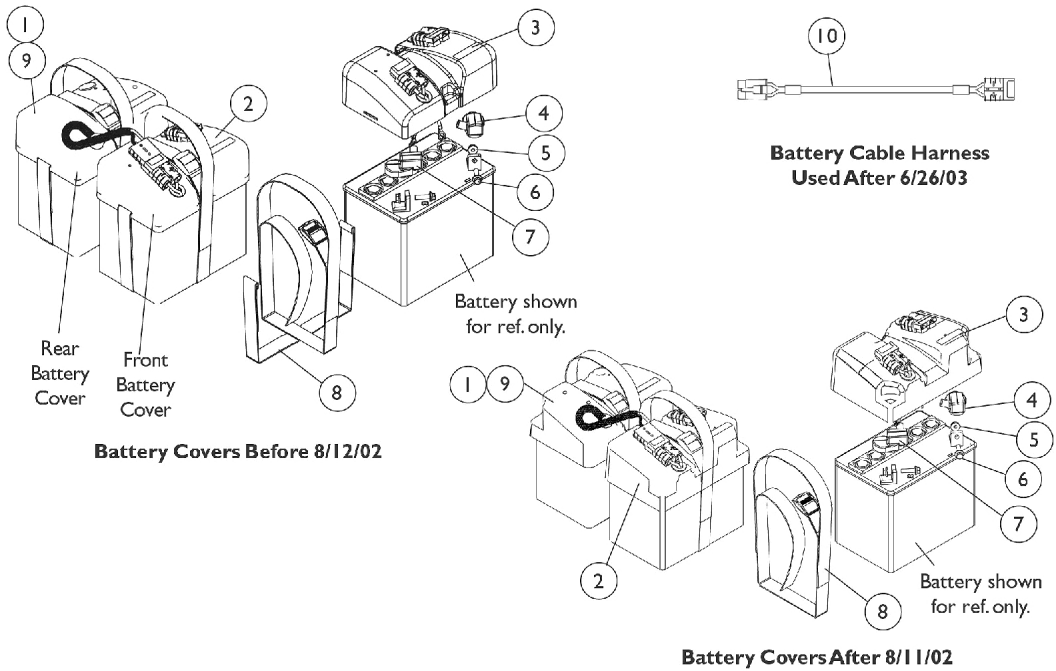
Motor, Gearbox and Drive Wheel

NOTE: A - Chairs built Before 6/27/03
B - Chairs built 6/27/03 thru 5/16/04
C - Includes items 4 and 5
D - Includes items 7-11
E - Includes items 14-20
F - Chairs built After 5/16/04
G - Part #1105042 Drive Wheel Assembly will already include the Pneumatic Tire and Inner Tube. Part #1105042 is sold in kit assembly part #1102338 only.
H - Part #1105043 Drive Wheel Assembly will already include the Tire w/ Foam Fill Insert.

Battery Covers and Harnesses

(Harness and Connectors are part of the Covers)

Before 10/8/03



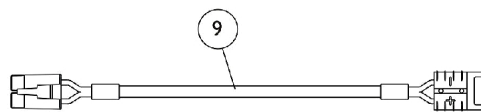
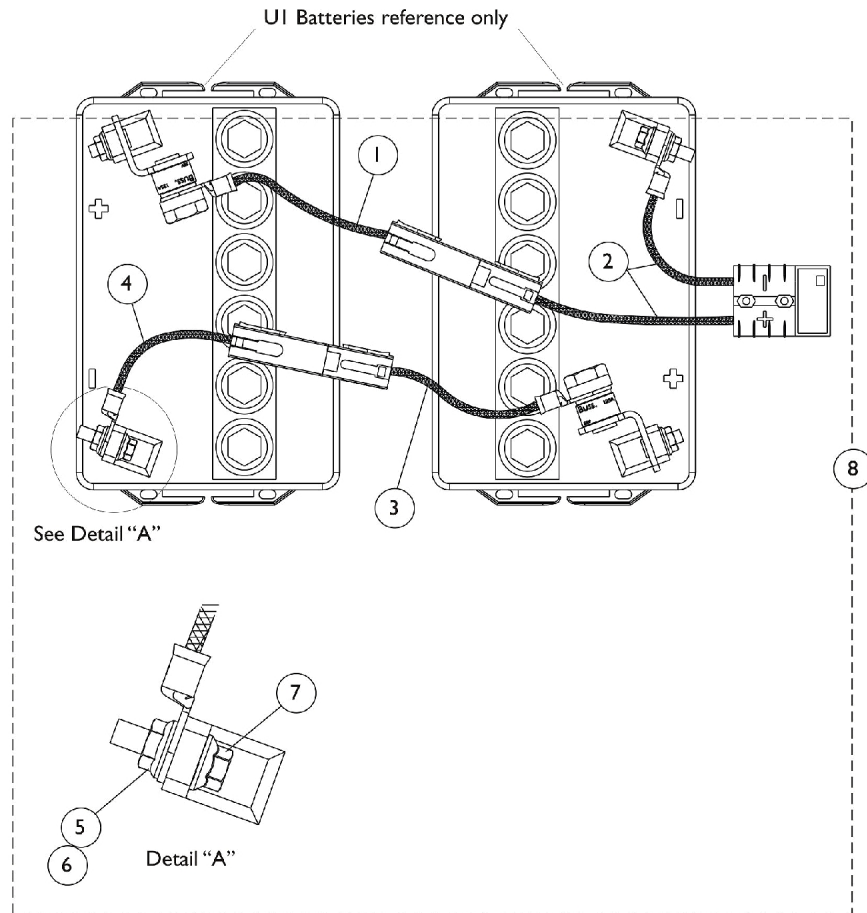
Battery Covers and Harnesses (Harness and Connectors are part of the Covers) Before 10/8/03

Item Number	Note	Part Number	Description	Quantity Per	
				Package	Assembly
1	E	1109492-NLA	NLA - Cover, Battery w/ Connector, Single Extended - Rear	1	1
2	E	1108240-NLA	NLA - Cover, Battery with Connectors, Dual Fixed - Front	1	1
3		1107651-NLA	NLA - Decal, Front Battery Cover	1	1
3		1107652-NLA	NLA - Decal, Rear Battery Cover	1	1
4		1096938-NLA	NLA - Cap, Battery Terminal, Gray	1	2
5		16721X000	Locknut (1/4-20)	1	4
6		1102337-NLA	NLA - Screw, Hex Flange Whiz Lock(1/4-20 x 5/8")	1	4
7		1096939-NLA	NLA - Cap, Battery Terminal, Orange	1	2
8	C	1108476-NLA	NLA - Strap, Battery	1	2
8	D	1113426-NLA	NLA - Strap, Battery	1	1
9		1089385	Fuse, MIDI (Non-G/B & G/B) (80 AMP)	1	1
	A,B	1060318-NLA	NLA - Hardware, Battery Terminal, UI Batteries (Pair)	1	1
	A,F	1097278-NLA	NLA - Instruction Sheet, Battery Terminal	1	1
10		1116381	Cable, Battery Extension, Black Connector	1	1
<p>NOTE: A - Not Shown B - Includes items 4-7 C - Before 8/12/02 D - After 8/11/02 E - When a new battery cover is ordered for chairs manufactured before 8/12/02, a new battery strap part number 1113426 must be ordered. Battery covers do not have to be ordered in pairs. F - Item is no longer available from the Invacare Service Parts Department. Refer to the Invacare Website under "Product Literature Search". Enter the part number in the "Keywords" field and download a free PDF version copy.</p>					

Battery Harnesses

After 10/7/03

Battery Covers are no longer used on chairs After 10/7/03



Battery Cable Harness

Battery Harnesses

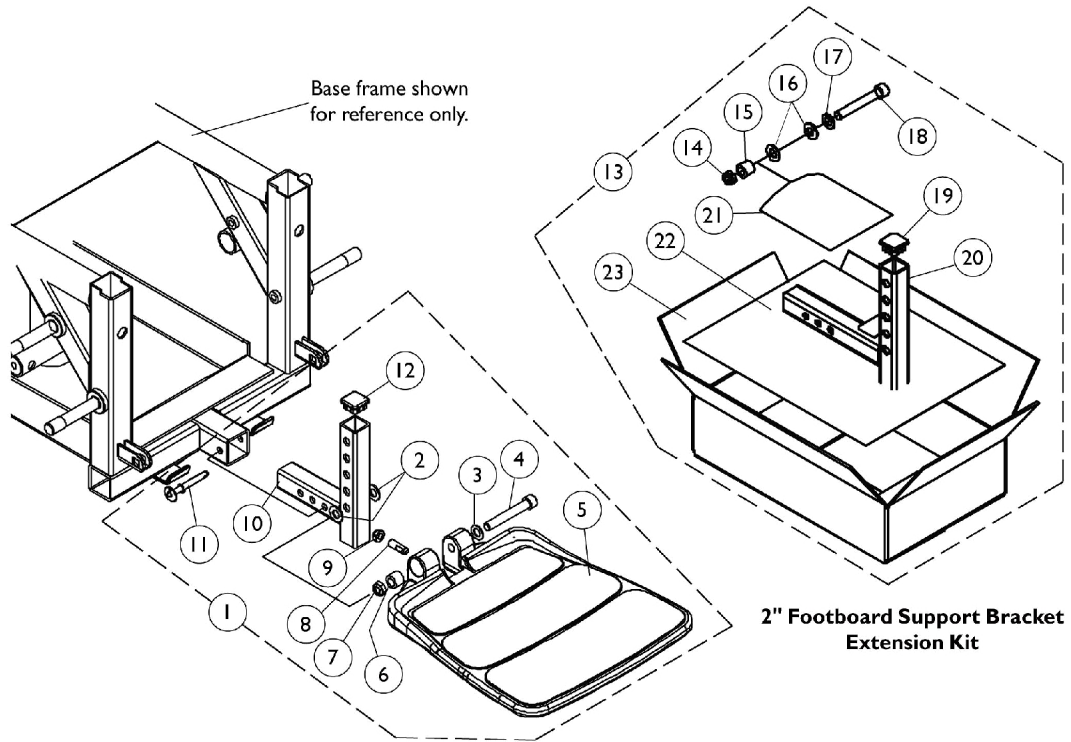
After 10/7/03

Battery Covers are no longer used on chairs After 10/7/03

Item Number	Note	Part Number	Description	Quantity Per	
				Package	Assembly
1		1122247	Harness, Battery w/ 75 AMP Fuse and Red Connector	1	1
2		1122246-NLA	NLA - Harness, Battery - Front	1	1
3		1122245	Harness, Battery w/ 75 AMP Fuse and Black Connector	1	1
4		1122244-NLA	NLA - Harness, Battery - Rear	1	1
5		16721X000	Locknut (1/4-20)	1	4
6		1062246	Washer, Locking Tab	1	2
7		1102337-NLA	NLA - Screw, Hex Flange Whiz Lock(1/4-20 x 5/8")	1	4
	A	98007X005	Tie Wrap (11-1/2" L)	1	6
	A	1118378-NLA	NLA - Instruction Sheet, Battery Harness	1	1
8	B	1122249-NLA	NLA - Harness, Battery w/ Terminal Hardware	1	1
9		1116381	Cable, Battery Extension, Black Connector	1	1

NOTE: A - Not Shown
B - Includes items 1-7 and Cables Ties, Instruction Sheet.

90FB Footboard Assembly

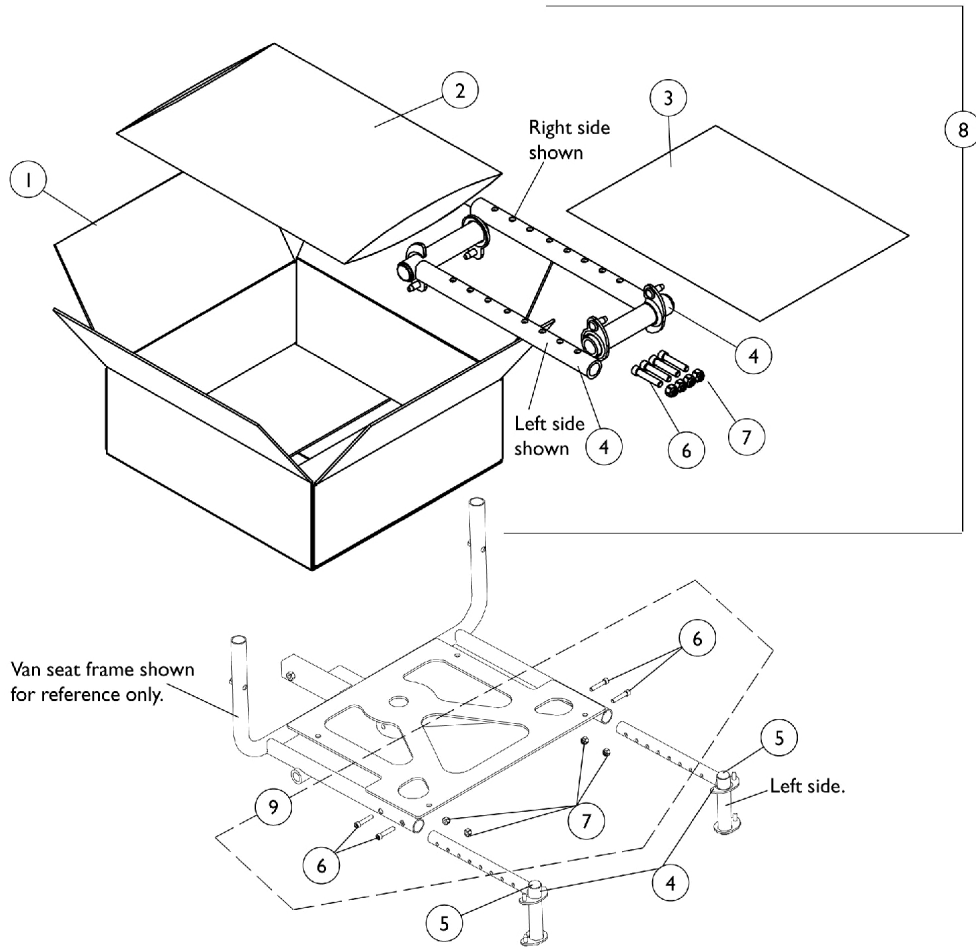


90FB Footboard Assembly

Item Number	Note	Part Number	Description	Quantity Per	
				Package	Assembly
1	A,B,E	1105027-NLA	NLA - Footboard Assembly	1	1
2			Washer, Nylon (3/8 x 3/4 x 1/16")	1	2
3			Washer, Flat (3/8 x 11/16 x 1/16")	1	1
4			Screw, Socket Head (3/8-16 x 2-1/2")	1	1
5			NLA - Footboard with Cover	1	1
6			Bushing (3/8 x 5/8 x 1/2")	1	1
7			Locknut, Low Profile (3/8-16)	1	1
8			Screw, Set Socket Flat Point (5/16-18 x 1")	1	1
9			Locknut (5/16-18)	1	1
10			Bracket, Footboard Support, Black	1	1
11			Pin, Quick Release	1	1
12			Plug Button, Black (1" Square)	1	1
13	C,D	1115378	Kit, 2" Footboard Extension	1	1
14			Locknut, Low Profile (3/8-16)	1	1
15			Bushing (3/8 x 5/8 x 1/2")	1	1
16			Washer, Nylon (3/8 x 3/4 x 1/16")	1	2
17			Washer, Flat (3/8 x 11/16 x 1/16")	1	1
18			Screw, Socket Head (3/8-16 x 2-1/2")	1	1
19			Plug Button, Black (1" Square)	1	1
20			Bracket, Footboard Support, Black (2" Extension)	1	1
21			NLA - Bag, Zip-Lip (4" L x 4" W)	1	1
22			NLA - Instruction Sheet, 2" Footboard Extension	1	1
23			Carton, Shipper	1	1

NOTE: A - Includes items 2-12
 B - When ordering a footboard assembly for the first time that requires a 2" extension kit, items 5, 8, 9, 11 and 13 must be ordered
 C - Includes items 14-23
 D - Part number 1114833 is no longer available from the Invacare Service Parts Department. Refer to the Invacare Website under "Product Literature Search". Enter the part number in the "Keywords" field and download a free PDF version copy.
 E - Part #1105027 is No Longer Available and a replacement is currently not available.

Front Riggings Attachment Kit (FRKTM5) Before 9/1/02

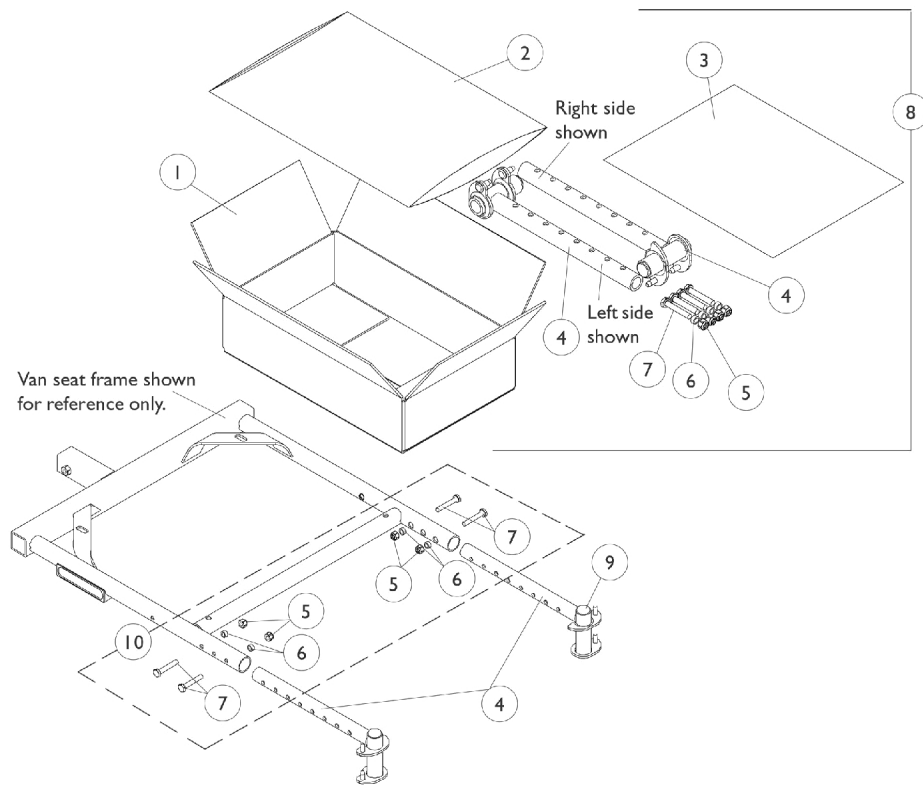


Item Number	Note	Part Number	Description	Quantity Per	
				Package	Assembly
1		40131X148-NLA	NLA - Carton, Hardware	1	1
2		1021149-NLA	NLA - Bag, Poly Zip-Lip (13" L x 9" W)	1	1
3	B	1110523-NLA	NLA - Instruction Sheet, Front Rigging Hanger	1	1
4		1111690-NLA	NLA - Front Rigging Hanger Assembly w/ Plug Button, Adult, Black - Right	1	1
4		1111691-NLA	NLA - Front Rigging Hanger Assembly w/ Plug Button, Adult, Black - Left	1	1
5		1027097	Plug Button, Black (3/4")	1	1
6		1003545	Screw, Socket Head (1/4-20 x 1-1/4")	1	4
7		1025736	Locknut (1/4-20)	1	4
8	A	1112285-NLA	NLA - Kit, Front Rigging Attachment (Pair)	2	1

NOTE: A - Includes items 1-4, 6, 7
 B - Item is no longer available from the Invacare Service Parts Department. Refer to the Invacare Website under "Product Literature Search". Enter the part number in the "Keywords" field and download a free PDF version copy.

Front (Hemi) Riggings Attachment Kit

After 8/31/02



Front (Hemi) Riggings Attachment Kit After 8/31/02

Item Number	Note	Part Number	Description	Quantity Per	
				Package	Assembly
8	A,C	1114997	Kit, Front Rigging Hanger Attachment	1	1
1			Carton, Shipper	1	1
2			NLA - Bag, Poly Zip-Lip (13" L x 9" W)	1	1
3			NLA - Instruction Sheet, Front Rigging Hanger	1	1
4			Front Rigging Hanger Assembly w/ Plug Button, Hemi, Black - Right	1	1
4			Front Rigging Hanger Assembly w/ Plug Button, Hemi, Black - Left	1	1
5			Locknut (1/4-20)	1	4
6			NLA - Spacer (1/4 x 3/8 x 3/16")	1	4
7			Screw, Hex Head (1/4-20 x 1-1/2")	1	4
9			1027097	Plug Button, Black (3/4")	1
10	B	1113045	Kit, Front Rigging Hanger Hardware	1	1
5			Locknut (1/4-20)	1	4
6			NLA - Spacer (1/4 x 3/8 x 3/16")	1	4
7			Screw, Hex Head (1/4-20 x 1-1/2")	1	4

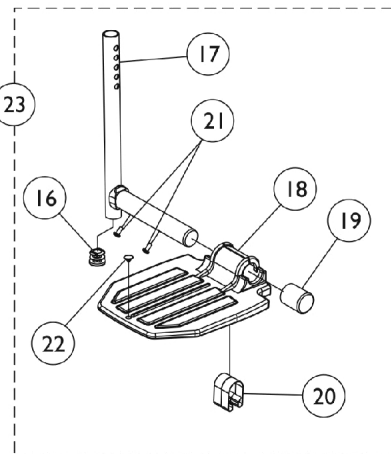
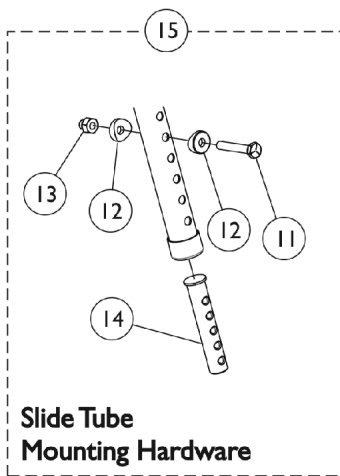
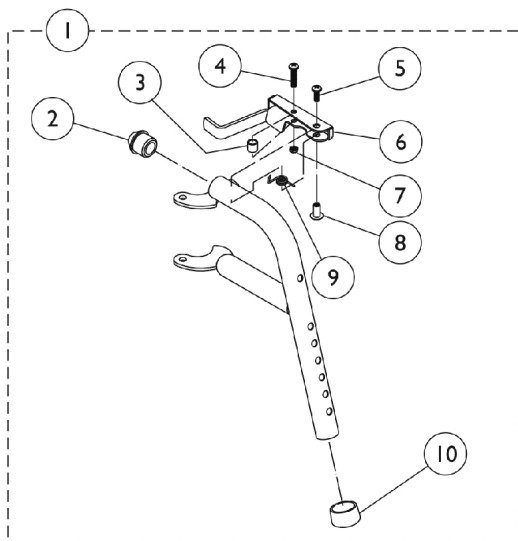
NOTE: A - Includes items 1-7
 B - Includes items 5-7
 C - Part number 1110523 is no longer available from the Invacare Service Parts Department. Refer to the Invacare Website under "Product Literature Search". Enter the part number in the "Keywords" field and download a free PDF version copy.

PW93 Footrest and Hardware

Before 9/1/02

Note: Heel Loops are not included. See miscellaneous accessories.

Note: Front riggings attachment kit (FRKTM5) must be present when using footrest.



PW93 Footrest and Hardware Before 9/1/02

Note: Heel Loops are not included. See miscellaneous accessories.

Note: Front riggings attachment kit (FRKTM5) must be present when using footrest.

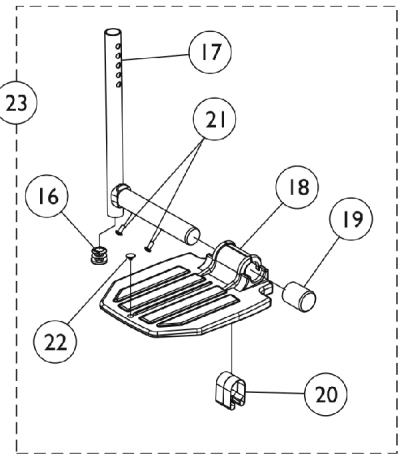
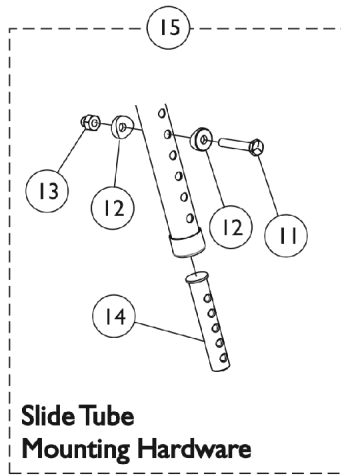
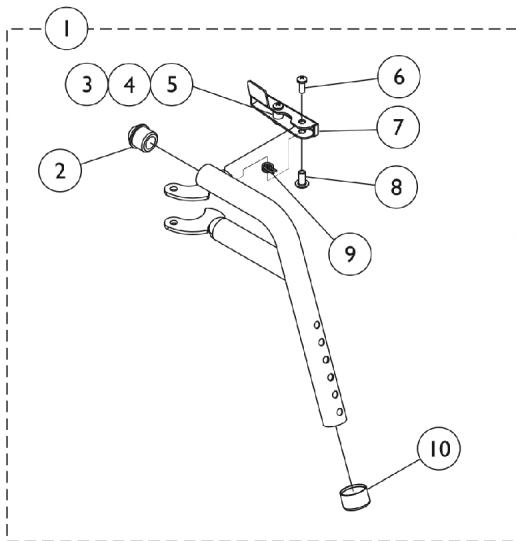
Item Number	Note	Part Number	Description	Quantity Per	
				Package	Assembly
1		1108638-NLA	NLA - Footrest Support Assembly, Adult, Black - Right	1	1
1		1108639-NLA	NLA - Footrest Support Assembly, Adult, Black - Left	1	1
2		1020719	Anti-Rattle, Black	1	1
3		47565X057	Bushing (7/32 x 3/8 x 11/32")	1	1
4		1025716	Screw, Phillips Pan Head (#10-32 x 11/16")	1	1
5		1026114	Screw, Phillips Pan Head (#10-32 x 1/2")	1	1
6		1035539	Handle, Release, Black - Right	1	1
6		1035540	Handle, Release, Black - Left	1	1
7		1025735	Locknut (#10-32)	1	1
8		1028846-NLA	NLA - Rivnut (#10-32)	1	1
9		1028707	Spring, Release - Right	1	1
9		1028708	Spring, Release - Left	1	1
10		15680X012	Collar, Anti-Rattle (7/8")	1	1
11		1070759	Screw, Hex Head (1/4-20 x 1-1/2")	1	1
12		1026099	Spacer, Coved (1/4 x 11/16 x 1/2")	1	2
13		1044214	Nut, Hex with Nylon Cap (1/4-20)	1	1
14	A	1020534	Insert, Threaded	1	1
15		1074143	Kit, Slide Tube Mounting Hardware	1	1
16		1027097	Plug Button, Black (3/4")	1	1
17		1048834	Pivot/Slide Tube w/ Plug Button, Black	1	1
18		44200X027	Footplate, Aluminum, Medium, Black (7-3/4" W x 6" L)	1	1
19		1016346	Cap, End, Tube, Black (7/8")	1	1
20		1006981	Spring, Tension	1	2
21		40120X001	Screw, Phillips Pan Head (#8-32 x 3/8")	1	1
22		1070168	Plug, Push, Footplate	1	1
23		1074149	Pivot/Slide Tube Assembly w/ Aluminum Footplate, Black - Right	1	1
23		1074150	Pivot/Slide Tube Assembly w/ Aluminum Footplate, Black - Left	1	1

NOTE: A - As of 8/15/03, the Threaded Insert was revised from 3 to 5 Holes. Threaded Insert is Backward Compatible and does not require ordering in Pairs.

PHW93 (Hemi) Footrest and Hardware

9/1/02-1/5/03

Note: Heel Loops are not included. See miscellaneous accessories.
Note: Front hemi rigging attachment kit (1114997) must be present when using footrest.



PHW93 (Hemi) Footrest and Hardware

9/1/02-1/5/03

Note: Heel Loops are not included. See miscellaneous accessories.

Note: Front hemi rigging attachment kit (1114997) must be present when using footrest.

Item Number	Note	Part Number	Description	Quantity Per	
				Package	Assembly
1		1114790-NLA	NLA - Footrest Support Assembly, Hemi, Black - Right	1	1
1		1114791	Footrest Support Assembly, Hemi, Black - Left	1	1
2		1020719	Anti-Rattle, Black	1	1
3		47565X057	Bushing (7/32 x 3/8 x 11/32")	1	1
4		1025716	Screw, Phillips Pan Head (#10-32 x 11/16")	1	1
5		1025735	Locknut (#10-32)	1	1
6		1026114	Screw, Phillips Pan Head (#10-32 x 1/2")	1	1
7	A	1113033	NLA - Handle, Release w/ Hardware, Black - Right	1	1
7	A	1113034-NLA	NLA - Handle, Release, Black - Left	1	1
8		1028846-NLA	NLA - Rivnut (#10-32)	1	1
9		1028707	Spring, Release - Right	1	1
9		1028708	Spring, Release - Left	1	1
10		15680X012	Collar, Anti-Rattle (7/8")	1	1
11		1070759	Screw, Hex Head (1/4-20 x 1-1/2")	1	1
12		1026099	Spacer, Coved (1/4 x 11/16 x 1/2")	1	2
13		1044214	Nut, Hex with Nylon Cap (1/4-20)	1	1
14	C	1020534	Insert, Threaded	1	1
15		1074143	Kit, Slide Tube Mounting Hardware	1	1
16		1027097	Plug Button, Black (3/4")	1	1
17		1048834	Pivot/Slide Tube w/ Plug Button, Black	1	1
18		44200X027	Footplate, Aluminum, Medium, Black (7-3/4" W x 6" L)	1	1
19		1016346	Cap, End, Tube, Black (7/8")	1	1
20		1006981	Spring, Tension	1	2
21		40120X001	Screw, Phillips Pan Head (#8-32 x 3/8")	1	1
22		1070168	Plug, Push, Footplate	1	1
23		1074149	Pivot/Slide Tube Assembly w/ Aluminum Footplate, Black - Right	1	1
23		1074150	Pivot/Slide Tube Assembly w/ Aluminum Footplate, Black - Left	1	1
	B,D	1114997	Kit, Front Rigging Hanger Attachment	1	1
			NLA - Bag, Poly Zip-Lip (13" L x 9" W)	1	1
			NLA - Instruction Sheet, Front Rigging Hanger	1	1
			Front Rigging Hanger Assembly w/ Plug Button, Hemi, Black - Right	1	1
			Front Rigging Hanger Assembly w/ Plug Button, Hemi, Black - Left	1	1
			Locknut (1/4-20)	1	4
			NLA - Spacer (1/4 x 3/8 x 3/16")	1	4

PHW93 (Hemi) Footrest and Hardware

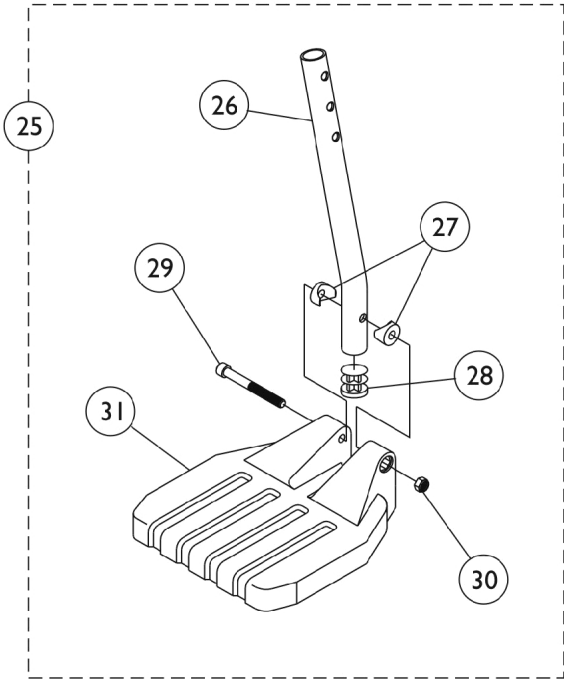
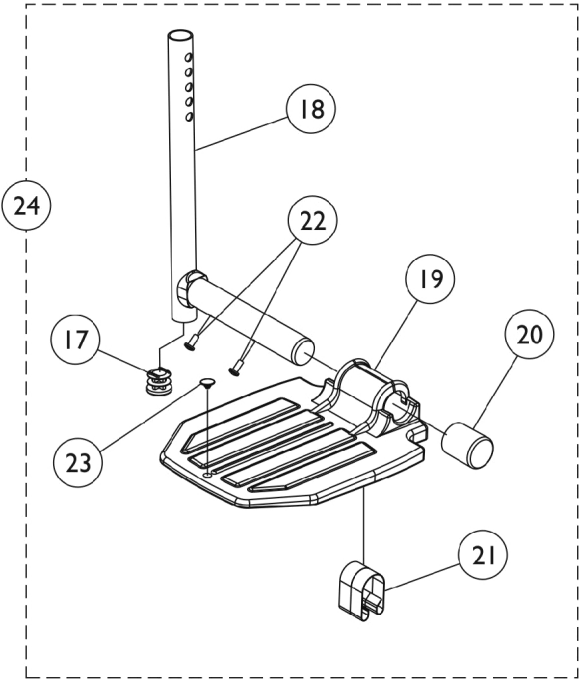
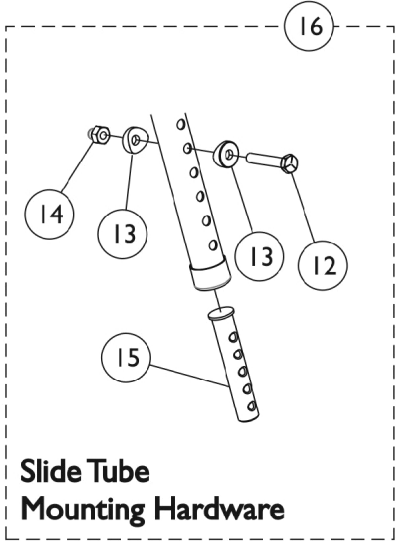
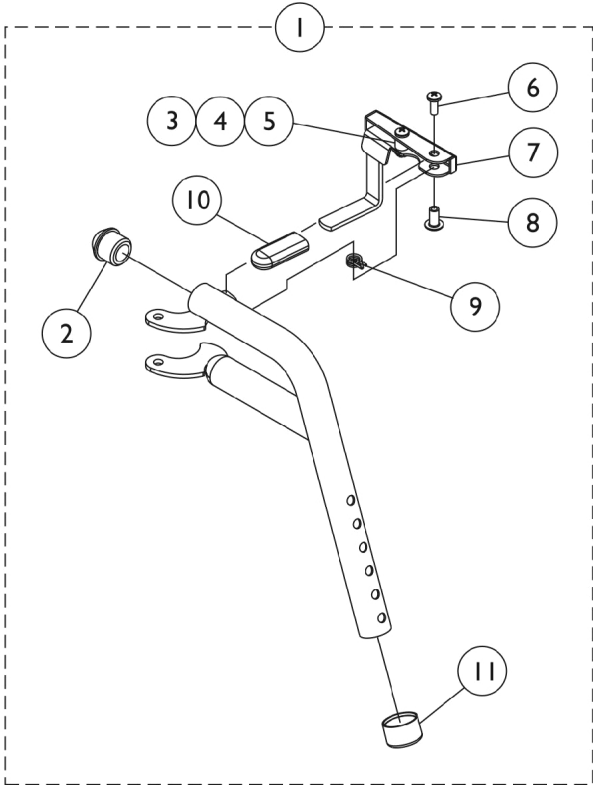
9/1/02-1/5/03

Note: Heel Loops are not included. See miscellaneous accessories.
Note: Front hemi rigging attachment kit (1114997) must be present when using footrest.

Item Number	Note	Part Number	Description	Quantity Per	
				Package	Assembly
			Screw, Hex Head (1/4-20 x 1-1/2")	1	4
			Carton, Shipper	1	1
NOTE: A - Includes items 3-5 B - Not Shown C - As of 8/15/03, the Threaded Insert was revised from 3 to 5 Holes. Threaded Insert is Backward Compatible and does not require ordering in Pairs. D - Part number 1110523 is no longer available from the Invacare Service Parts Department. Refer to the Invacare Website under "Product Literature Search". Enter the part number in the "Keywords" field and download a free PDF version copy.					

PHW93 (Hemi) Footrest and Hardware

After 1/5/03
Black



PHW93 (Hemi) Footrest and Hardware

After 1/5/03

Black

Item Number	Note	Part Number	Description	Quantity Per	
				Package	Assembly
1		1114755	Footrest Support Assembly, Hemi, Black - Right	1	1
1		1114756	Footrest Support Assembly, Hemi, Black - Left	1	1
2		1020719	Anti-Rattle, Black	1	1
3		47565X057	Bushing (7/32 x 3/8 x 11/32")	1	1
4		1025716	Screw, Phillips Pan Head (#10-32 x 11/16")	1	1
5		1025735	Locknut (#10-32)	1	1
6		1026114	Screw, Phillips Pan Head (#10-32 x 1/2")	1	1
7	A	1114749-NLA	NLA - Handle, Release, Black - Right	1	1
7	A	1114750-NLA	NLA - Handle, Release, Black - Left	1	1
8		1028846-NLA	NLA - Rivnut (#10-32)	1	1
9		1028707	Spring, Release - Right	1	1
9		1028708	Spring, Release - Left	1	1
10		1006490	Tip, Plastic, Black	1	1
11		15680X012	Collar, Anti-Rattle (7/8")	1	1
12		1070759	Screw, Hex Head (1/4-20 x 1-1/2")	1	1
13		1026099	Spacer, Coved (1/4 x 11/16 x 1/2")	1	2
14		1044214	Nut, Hex with Nylon Cap (1/4-20)	1	1
15	D	1020534	Insert, Threaded	1	1
16		1074143	Kit, Slide Tube Mounting Hardware	1	1
17		1027097	Plug Button, Black (3/4")	1	1
18		1048834	Pivot/Slide Tube w/ Plug Button, Black	1	1
19		44200X027	Footplate, Aluminum, Medium, Black (7-3/4" W x 6" L)	1	1
20		1016346	Cap, End, Tube, Black (7/8")	1	1
21		1006981	Spring, Tension	1	2
22		40120X001	Screw, Phillips Pan Head (#8-32 x 3/8")	1	1
23		1070168	Plug, Push, Footplate	1	1
24	C	1074149	Pivot/Slide Tube Assembly w/ Aluminum Footplate, Black - Right	1	1
24	C	1074150	Pivot/Slide Tube Assembly w/ Aluminum Footplate, Black - Left	1	1
25	C	1057879	Pivot/Slide Tube Assembly w/ Large Composite Footplate, Black - Right	1	1
25	C	1057880	Pivot/Slide Tube Assembly w/ Large Composite Footplate, Black - Left	1	1
25	C	1057881	Pivot/Slide Tube Assembly w/ Composite Footplate, Black - Right (2" Longer)	1	1
25	C	1057882	Pivot/Slide Tube Assembly w/ Composite Footplate, Black - Left (2" Longer)	1	1
25	C	1058423	Pivot/Slide Tube Assembly w/ Composite Footplate, Black - Right (4" Longer)	1	1
25	C	1058424	Pivot/Slide Tube Assembly w/ Composite Footplate, Black - Left (4" Longer)	1	1

PHW93 (Hemi) Footrest and Hardware

After 1/5/03

Black

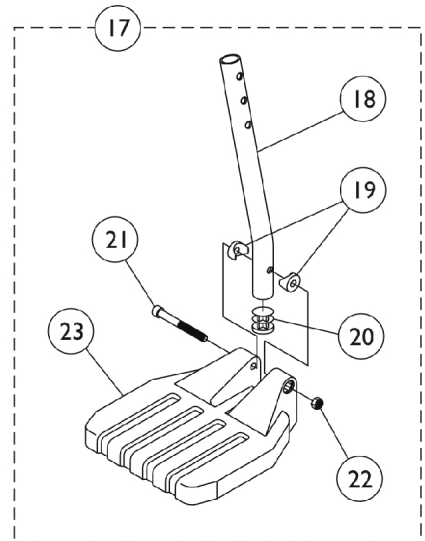
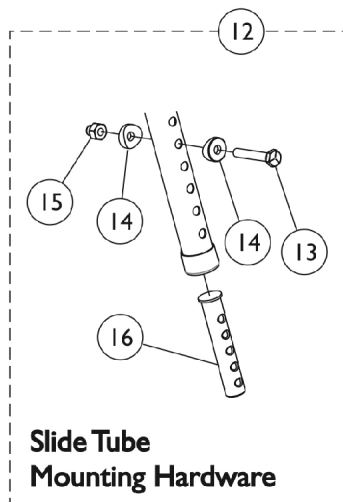
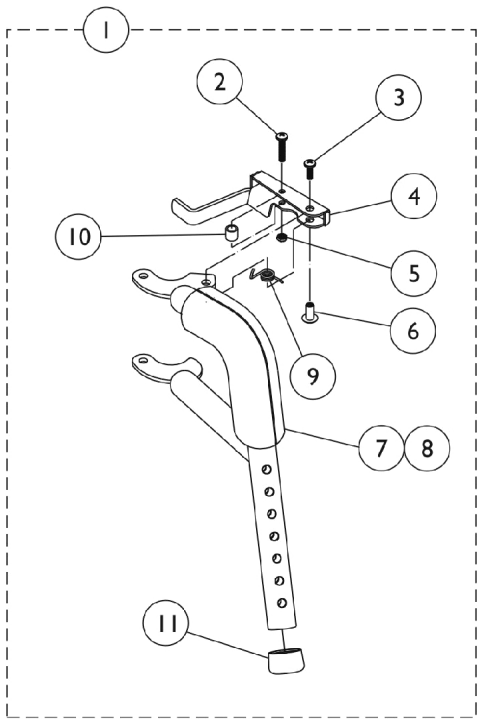
Item Number	Note	Part Number	Description	Quantity Per	
				Package	Assembly
26		1057852	Tube, Pivot/Slide, Curved End, Steel, Black (9-7/8")	1	1
26		1057854	Tube, Pivot/Slide, Curved End, 2" Longer, Steel, Black	1	1
26		1058418	Tube, Pivot/Slide, Curved End, 4" Longer, Steel, Black	1	1
27		1025457	Spacer, Coved (1/4 x 3/4 x 11/32")	1	2
28		1027097	Plug Button, Black (3/4")	1	1
29		60285X006	Screw, Socket Head (1/4-20 x 2-1/4")	1	1
30		1025195	NLA - Locknut (1/4-20)	1	1
31		1026881	Footplate, Composite, Large, Black (8" W x 6" L)	1	1
	B,E	1114997	Kit, Front Rigging Hanger Attachment	1	1
			NLA - Bag, Poly Zip-Lip (13" L x 9" W)	1	1
			NLA - Instruction Sheet, Front Rigging Hanger	1	1
			Front Rigging Hanger Assembly w/ Plug Button, Hemi, Black - Right	1	1
			Front Rigging Hanger Assembly w/ Plug Button, Hemi, Black - Left	1	1
			Locknut (1/4-20)	1	4
			NLA - Spacer (1/4 x 3/8 x 3/16")	1	4
			Screw, Hex Head (1/4-20 x 1-1/2")	1	4
			Carton, Shipper	1	1

NOTE: A - Includes items 3-5
 B - Not Shown
 C - For 18" and 20" wide chairs
 D - As of 8/15/03, the Threaded Insert was revised from 3 to 5 Holes. Threaded Insert is Backward Compatible and does not require ordering in Pairs.
 E - Part number 1110523 is no longer available from the Invacare Service Parts Department. Refer to the Invacare Website under "Product Literature Search". Enter the part number in the "Keywords" field and download a free PDF version copy.

PW93ST Footrest and Hardware

Before 9/1/02

NOTE: Heel Loops are not included. See miscellaneous accessories.
NOTE: Front riggings attachment kit (FRKTM5) must be present when using footrest.



PW93ST Footrest and Hardware

Before 9/1/02

NOTE: Heel Loops are not included. See miscellaneous accessories.

NOTE: Front riggings attachment kit (FRKTM5) must be present when using footrest.

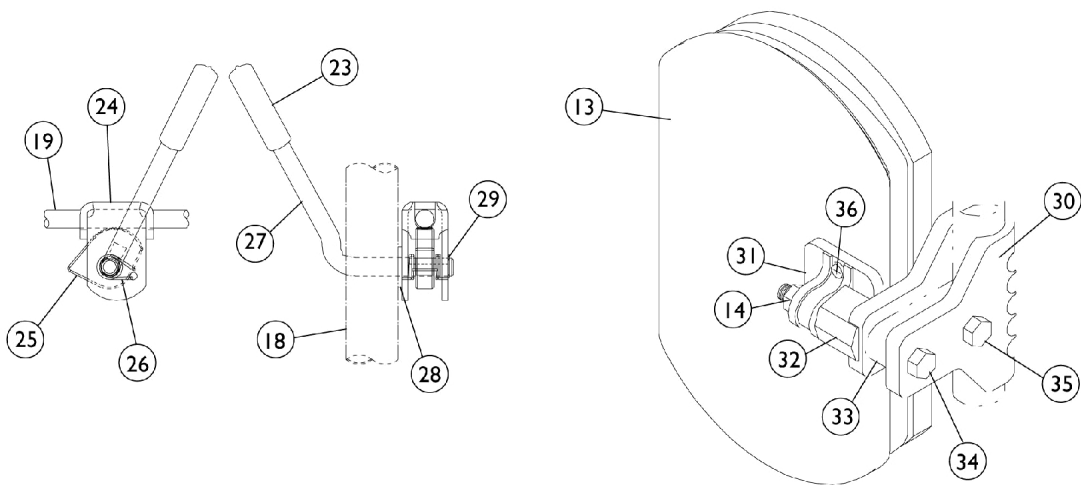
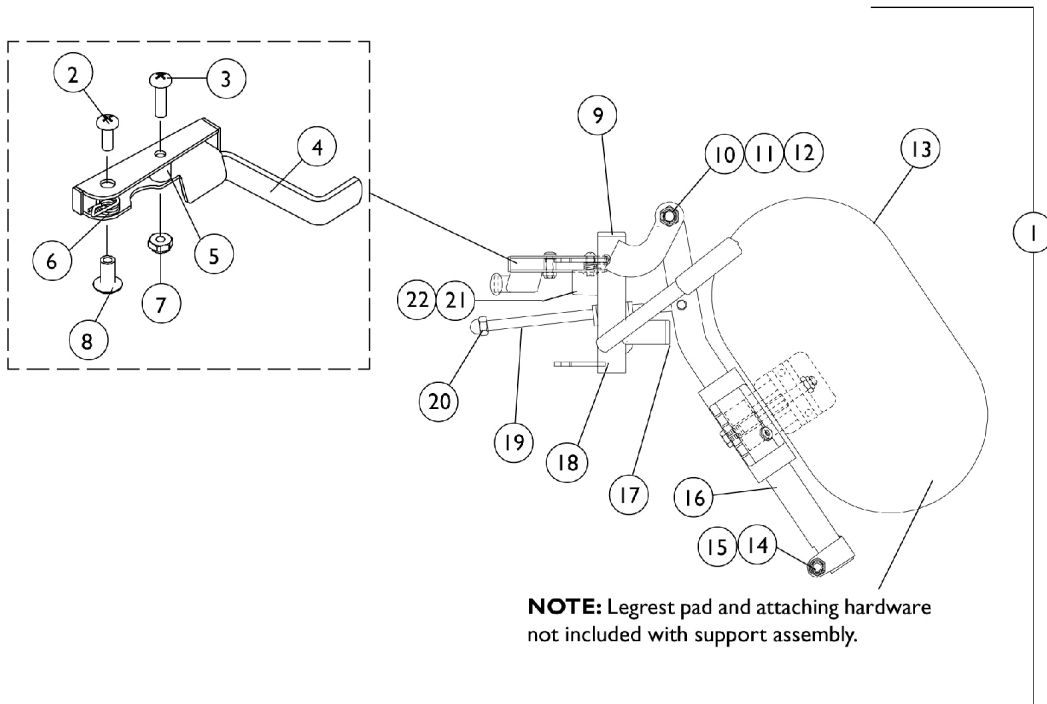
Item Number	Note	Part Number	Description	Quantity Per	
				Package	Assembly
1		1108634-NLA	NLA - Footrest Support Assembly, Adult, Black - Right	1	1
1		1108635-NLA	NLA - Footrest Support Assembly, Adult, Black - Left	1	1
2		1025716	Screw, Phillips Pan Head (#10-32 x 11/16")	1	1
3		1026114	Screw, Phillips Pan Head (#10-32 x 1/2")	1	1
4		1035539	Handle, Release, Black - Right	1	1
4		1035540	Handle, Release, Black - Left	1	1
5		1025735	Locknut (#10-32)	1	1
6		1028846-NLA	NLA - Rivnut (#10-32)	1	1
7		1030434-NLA	NLA - Cushion, Tubular Foam	1	1
8		1030435-NLA	NLA - Cover, Foam Cushion	1	1
9		1028707	Spring, Release - Right	1	1
9		1028708	Spring, Release - Left	1	1
10		47565X057	Bushing (7/32 x 3/8 x 11/32")	1	1
11		15680X012	Collar, Anti-Rattle (7/8")	1	1
12		1074143	Kit, Slide Tube Mounting Hardware	1	1
13		1070759	Screw, Hex Head (1/4-20 x 1-1/2")	1	1
14		1026099	Spacer, Coved (1/4 x 11/16 x 1/2")	1	2
15		1044214	Nut, Hex with Nylon Cap (1/4-20)	1	1
16	C	1020534	Insert, Threaded	1	1
17	A	1057869	Pivot/Slide Tube Assembly w/ Medium Composite Footplate, Black - Right (18" W)	1	1
17	A	1057870	Pivot/Slide Tube w/ Medium Composite Footplate Assembly, Black - Left (18" W)	1	1
17	B	1057879	Pivot/Slide Tube Assembly w/ Large Composite Footplate, Black - Right	1	1
17	B	1057880	Pivot/Slide Tube Assembly w/ Large Composite Footplate, Black - Left	1	1
18		1057852	Tube, Pivot/Slide, Curved End, Steel, Black (9-7/8")	1	1
19		1025457	Spacer, Coved (1/4 x 3/4 x 11/32")	1	2
20		1027097	Plug Button, Black (3/4")	1	1
21		60285X006	Screw, Socket Head (1/4-20 x 2-1/4")	1	1
22		1025195	NLA - Locknut (1/4-20)	1	1
23	A	1026880	Footplate, Composite, Medium, Black (7" W x 6" L)	1	1
23	B	1026881	Footplate, Composite, Large, Black (8" W x 6" L)	1	1

NOTE: A - 18" Wide
 B - 20" Wide
 C - As of 8/15/03, the Threaded Insert was revised from 3 to 5 Holes. Threaded Insert is Backward Compatible and does not require ordering in Pairs.

P904A Legrest Supports (Before 9/1/02)

NOTE: Front rigging attachment kit (FRKTM5) must be present when using legrest.

Due to a change to the Legrest Calf Pad size made on 4/23/12, you must also order the hardware kit (1066591) when ordering replacement Calf Pads.



P904A Legrest Supports (Before 9/1/02)

NOTE: Front rigging attachment kit (FRKTM5) must be present when using legrest.

Due to a change to the Legrest Calf Pad size made on 4/23/12, you must also order the hardware kit (1066591) when ordering replacement Calf Pads.

Item Number	Note	Part Number	Description	Quantity Per	
				Package	Assembly
1		1108644-NLA	NLA - Legrest Support Assembly, Adult, Black - Right	1	1
1		1108645-NLA	NLA - Legrest Support Assembly, Adult, Black - Left	1	1
2		1025716	Screw, Phillips Pan Head (#10-32 x 11/16")	1	2
3		1026114	Screw, Phillips Pan Head (#10-32 x 1/2")	1	1
4		1035539	Handle, Release, Black - Right	1	1
4		1035540	Handle, Release, Black - Left	1	1
5		47565X057	Bushing (7/32 x 3/8 x 11/32")	1	1
6		1028707	Spring, Release - Right	1	1
6		1028708	Spring, Release - Left	1	1
7		1025735	Locknut (#10-32)	1	1
8		1028846-NLA	NLA - Rivnut (#10-32)	1	1
9		1027095	Plug Button, Black (7/8")	1	1
10		11919X000-NLA	NLA - Screw, Slotted Truss Head (3/8-16 x 1-1/2")	1	1
11		1058636-NLA	NLA - Washer, Nylon (25/64 x 7/8 x 1/32")	1	2
12		40363X000	Hex Nut (3/8"-16)	1	1
13	A,D	8881091764	Pad, Legrest, Vinyl - Right/Left	1	1
14		1025730	Locknut (5/16-24)	1	3
15		1026030	Bolt, Lug (5/16-24 x 1-3/8")	1	1
16		1043556-NLA	NLA - Tube, Elevating Adjustable Support, Black - Right	1	1
16		1043557-NLA	NLA - Tube, Elevating Adjustable Support, Black - Left	1	1
17		1027097	Plug Button, Black (3/4")	1	1
18	B	1108642-NLA	NLA - Legrest Support Tube Assembly, Adult, Black - Right	1	1
18	B	1108643-NLA	NLA - Legrest Support Tube Assembly, Adult, Black - Left	1	1
19		42326X004	Bar, Ratchet - Right/Left	1	1
20		10261X000	Nut, Acorn (5/16-24)	1	1
21		1022874	Bumper	1	1
22		1030979	Screw, Phillips Pan Head Tap (#10-32 x 3/4")	1	1
23		1040060	Tip, Plastic, Black	1	1
24		04528X002	Bracket, Release, Black	1	1
25		1037125	Cam, Legrest	1	1
26		1037485	Spring, Release	1	1
27		1037126	Handle, Release	1	1
28		1013519	Washer, Nylon (5/16 x 11/16 x 1/16")	1	1
29		1040831	Ring, Snap	1	1
30		1032266	Bracket, Legrest Pad Mounting, Black	1	1

P904A Legrest Supports (Before 9/1/02)

NOTE: Front rigging attachment kit (FRKTM5) must be present when using legrest.

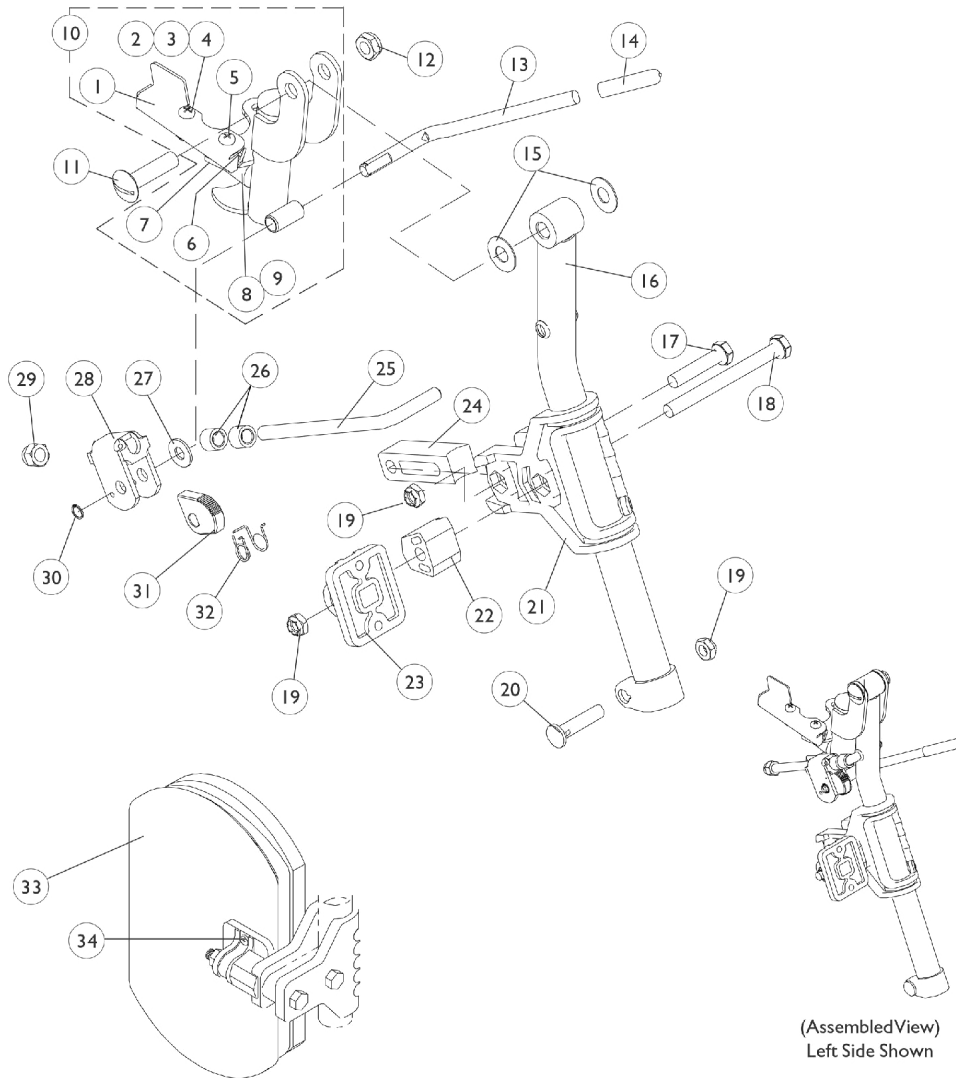
Due to a change to the Legrest Calf Pad size made on 4/23/12, you must also order the hardware kit (1066591) when ordering replacement Calf Pads.

Item Number	Note	Part Number	Description	Quantity Per	
				Package	Assembly
31		04526X019	Plate, Legrest Pad	1	1
32		1025133	Spacer, Legrest Pad, Black	1	1
33		1032267	Spacer, Legrest Pad Mounting, Black	1	1
34		1037110	Screw, Hex Head (5/16-24 x 3-1/2")	1	1
35		1028514	Screw, Hex Head (5/16-24 x 1-1/2")	1	1
36	C	1066591	Hardware, Legrest Pad	1	1
			Screw, Phillips Pan Head (#10-32 x 11/16")	1	2
			Screw, Phillips Pan Head (#10-32 x 1")	1	2
			Instruction Sheet, Legrest Pad Mtg.	1	1
NOTE: A - Specify upholstery color U67 Black when ordering. B - No longer available as a service part individually, use Item 1 (1108644 or 1108645) as the replacement. C - Item includes Screws and Instruction Sheet. D - Due to a change to the Legrest Calf Pad size made on 4/23/12, you must also order the hardware kit (1066591) when ordering replacement Calf Pads.					

PH904A (Hemi) Legrest Supports (9/1/02-1/5/03) Color

NOTE: Front hemi rigging attachment kit (1114997) must be present when using legrest.

Due to a change to the Legrest Calf Pad size made on 4/23/12, you must also order the hardware kit (1068649) when ordering replacement Calf Pads.



PH904A (Hemi) Legrest Supports

(9/1/02-1/5/03) Color

NOTE: Front hemi rigging attachment kit (1114997) must be present when using legrest.

Due to a change to the Legrest Calf Pad size made on 4/23/12, you must also order the hardware kit (1068649) when ordering replacement Calf Pads.

Item Number	Note	Part Number	Description	Quantity Per	
				Package	Assembly
1	A	1031470-NLA	NLA - Handle, Release, Black - Left	1	1
1	A	1031469-NLA	NLA - Handle, Release, Black - Right	1	1
2		1025716	Screw, Phillips Pan Head (#10-32 x 11/16")	1	1
3		47565X057	Bushing (7/32 x 3/8 x 11/32")	1	1
4		1025735	Locknut (#10-32)	1	1
5		1026114	Screw, Phillips Pan Head (#10-32 x 1/2")	1	1
6		1008935	Spring, Release - Right	1	1
6		1008936	Spring, Release - Left	1	1
7		67005X000	Rivnut (#10-32)	1	1
8		1030979	Screw, Phillips Pan Head Tap (#10-32 x 3/4")	1	1
9		1022874	Bumper	1	1
10	D	1113041-NLA	NLA - Legrest Support Tube Assembly, Hemi, Black - Right	1	1
10	D	1113042-NLA	NLA - Legrest Support Tube Assembly, Hemi, Black - Left	1	1
11		11919X000-NLA	NLA - Screw, Slotted Truss Head (3/8-16 x 1-1/2")	1	1
12		40363X000	Hex Nut (3/8"-16)	1	1
13		1037126	Handle, Release	1	1
14		1040060	Tip, Plastic, Black	1	1
15		1058636-NLA	NLA - Washer, Nylon (25/64 x 7/8 x 1/32")	1	2
16	B	8881048851	Tube, Elevating Adjustable Support, Color - Right	1	1
16	B	8881048852	Tube, Elevating Adjustable Support, Color - Left	1	1
17		1028514	Screw, Hex Head (5/16-24 x 1-1/2")	1	1
18		1037110	Screw, Hex Head (5/16-24 x 3-1/2")	1	1
19		1025730	Locknut (5/16-24)	1	3
20		1026030	Bolt, Lug (5/16-24 x 1-3/8")	1	1
21		1032266	Bracket, Legrest Pad Mounting, Black	1	1
22		1025133	Spacer, Legrest Pad, Black	1	1
23		04526X019	Plate, Legrest Pad	1	1
24		1032267	Spacer, Legrest Pad Mounting, Black	1	1
25		1113030	Bar, Ratchet	1	1
26		47330X003	Spacer (5/16 x 1/2 x 3/8")	1	2
27		1013519	Washer, Nylon (5/16 x 11/16 x 1/16")	1	1
28		04528X002	Bracket, Release, Black	1	1
29		10261X000	Nut, Acorn (5/16-24)	1	1
30		1040831	Ring, Snap	1	1
31		1037125	Cam, Legrest	1	1
32		1037485	Spring, Release	1	1
33	C,H	8881091764	Pad, Legrest, Vinyl - Right/Left	1	1

PH904A (Hemi) Legrest Supports (9/1/02-1/5/03) Color

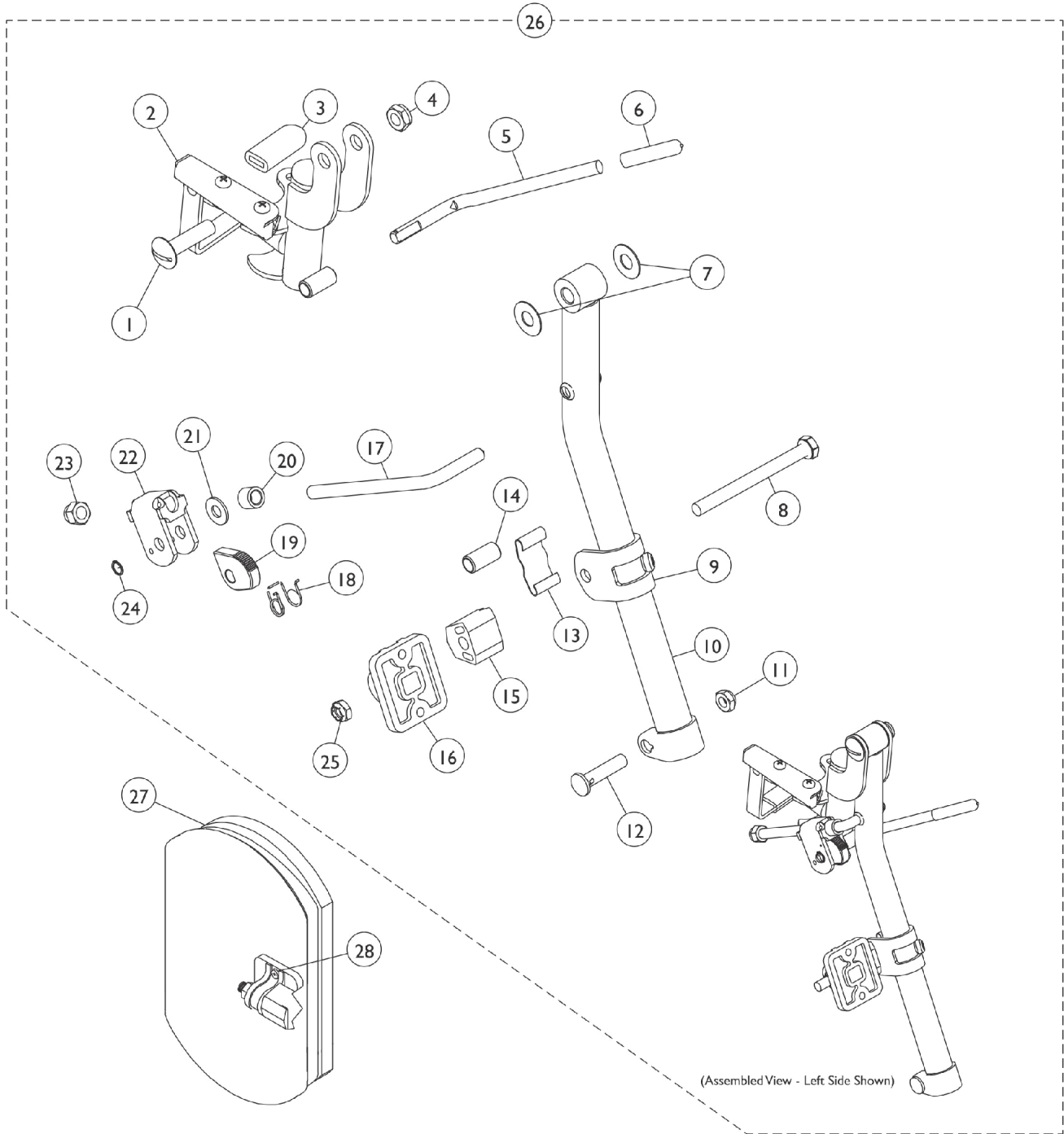
NOTE: Front hemi rigging attachment kit (1114997) must be present when using legrest.

Due to a change to the Legrest Calf Pad size made on 4/23/12, you must also order the hardware kit (1068649) when ordering replacement Calf Pads.

Item Number	Note	Part Number	Description	Quantity Per	
				Package	Assembly
34	G	1068649	Hardware, Legrest Pad	1	1
			Screw, Phillips Pan Head (#10-32 x 11/16")	1	2
			Screw, Phillips Pan Head (#10-32 x 1")	1	2
			Instruction Sheet, Legrest Pad Mtg.	1	1
	F,I	1114997	Kit, Front Rigging Hanger Attachment	1	1
			NLA - Bag, Poly Zip-Lip (13" L x 9" W)	1	1
			NLA - Instruction Sheet, Front Rigging Hanger	1	1
			Front Rigging Hanger Assembly w/ Plug Button, Hemi, Black - Right	1	1
			Front Rigging Hanger Assembly w/ Plug Button, Hemi, Black - Left	1	1
			Locknut (1/4-20)	1	4
			NLA - Spacer (1/4 x 3/8 x 3/16")	1	4
			Screw, Hex Head (1/4-20 x 1-1/2")	1	4
			Carton, Shipper	1	1
			B,E	8881113043	Legrest Support Assembly, Hemi, Color - Right
8881113044	Legrest Support Assembly, Hemi, Color - Left	1			1
<p>NOTE: A - Includes items 2-4 B - Specify 34P flat black frame finish when ordering. C - Specify Upholstery color U67 Black when ordering. D - Includes #1 and 5-9 E - See pictorial for reference. F - Not Shown G - Includes Screws and Instruction Sheet. H - Due to a change to the Legrest Calf Pad size made on 4/23/12, you must also order the hardware kit (1068649) when ordering replacement Calf Pads. I - Part number 1110523 is no longer available from the Invacare Service Parts Department. Refer to the Invacare Website under "Product Literature Search". Enter the part number in the "Keywords" field and download a free PDF version copy.</p>					

PH904A (Hemi) Legrest Supports (After 1/5/03)

Due to a change to the Legrest Calf Pad size made on 4/23/12, you must also order the hardware kit (1068649) when ordering replacement Calf Pads.



PH904A (Hemi) Legrest Supports

(After 1/5/03)

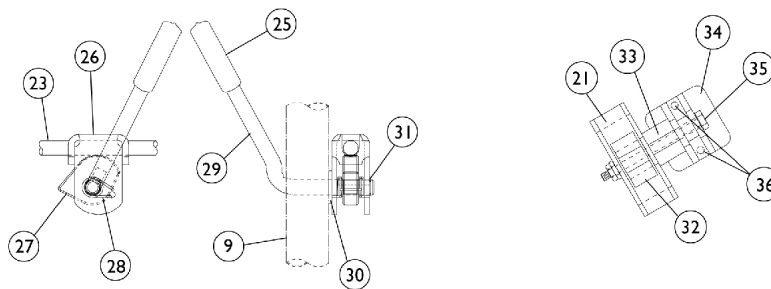
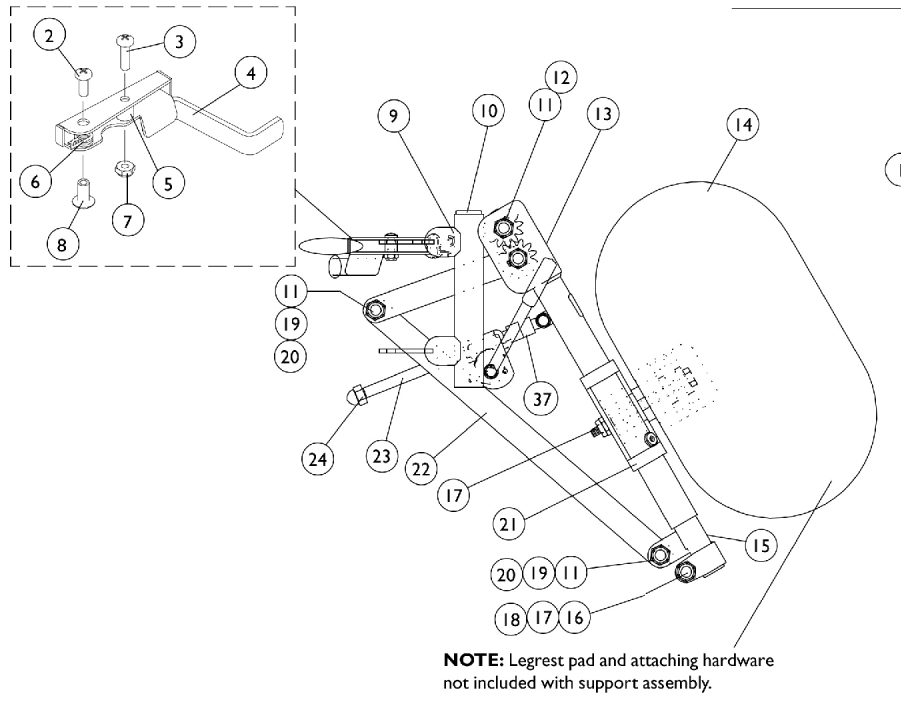
Due to a change to the Legrest Calf Pad size made on 4/23/12, you must also order the hardware kit (1068649) when ordering replacement Calf Pads.

Item Number	Note	Part Number	Description	Quantity Per	
				Package	Assembly
1		11919X000-NLA	NLA - Screw, Slotted Truss Head (3/8-16 x 1-1/2")	1	1
2		1114753	Legrest Support Assembly, Black - Right	1	1
2		1114754	Legrest Support Assembly, Black - Left	1	1
3		1006490	Tip, Plastic, Black	1	1
4		40363X000	Hex Nut (3/8"-16)	1	1
5		1037126	Handle, Release	1	1
6		1040060	Tip, Plastic, Black	1	1
7		1058636-NLA	NLA - Washer, Nylon (25/64 x 7/8 x 1/32")	1	2
8		1014807	Screw, Hex Head (5/16-24 x 3-1/4")	1	1
9		1110207	Bracket, Calf Pad Mounting, Black	1	1
10	C	8881048851	Tube, Elevating Adjustable Support, Color - Right	1	1
10	C	8881048852	Tube, Elevating Adjustable Support, Color - Left	1	1
11		1107321	Nut, Low Cap (5/16"-24)	1	1
12		1026030	Bolt, Lug (5/16-24 x 1-3/8")	1	1
13		48823X008	Spring, Leaf	1	1
14		47328X003	Bushing, Pivot (5/16 x 7/16 x 7/8")	1	1
15		1025133	Spacer, Legrest Pad, Black	1	1
16		04526X019	Plate, Legrest Pad	1	1
17		1113030	Bar, Ratchet	1	1
18		1037485	Spring, Release	1	1
19		1037125	Cam, Legrest	1	1
20		47328X003	Bushing, Pivot (5/16 x 7/16 x 7/8")	1	1
21		1013519	Washer, Nylon (5/16 x 11/16 x 1/16")	1	1
22		04528X002	Bracket, Release, Black	1	1
23		10261X000	Nut, Acorn (5/16-24)	1	1
24		1040831	Ring, Snap	1	1
25		1025730	Locknut (5/16-24)	1	1
26	A,C	8881114757	Legrest Support Assembly, Hemi, Color - Right	1	1
26	A,C	8881114758	Legrest Support Assembly, Hemi, Color - Left	1	1
27	B,E	8881091764	Pad, Legrest, Vinyl - Right/Left	1	1
28	D	1068649	Hardware, Legrest Pad	1	1
			Screw, Phillips Pan Head (#10-32 x 11/16")	1	2
			Screw, Phillips Pan Head (#10-32 x 1")	1	2
			Instruction Sheet, Legrest Pad Mtg.	1	1

NOTE: A - Includes items 1-25
 B - Specify U67 Black upholstery color when ordering.
 C - Specify 34P Flat Black Frame Finish When Ordering.
 D - Includes Screws and Instruction Sheet.
 E - Due to a change to the Legrest Calf Pad size made on 4/23/12, you must also order the hardware kit (1068649) when ordering replacement Calf Pads.

PAL4A Articulating Legrest Supports (Before 9/1/02) Chrome

NOTE: Front rigging attachment kit (FRKTM5) must be present when using legrest. Due to a change to the Legrest Calf Pad size made on 4/23/12, you must also order the hardware kit (1066591) when ordering replacement Calf Pads.



PAL4A Articulating Legrest Supports

(Before 9/1/02) Chrome

NOTE: Front rigging attachment kit (FRKTM5) must be present when using legrest. Due to a change to the Legrest Calf Pad size made on 4/23/12, you must also order the hardware kit (1066591) when ordering replacement Calf Pads.

Item Number	Note	Part Number	Description	Quantity Per	
				Package	Assembly
1		1058482-NLA	NLA - Legrest Support Assembly, Articulating, Adult, Chrome - Right	1	1
1		1058483-NLA	NLA - Legrest Support Assembly, Articulating, Adult, Chrome - Left	1	1
2		1025706-NLA	NLA - Screw, Phillips Oval Head (#10-16 x 7/8")	1	1
3		1026114	Screw, Phillips Pan Head (#10-32 x 1/2")	1	1
4		1035539	Handle, Release, Black - Right	1	1
4		1035540	Handle, Release, Black - Left	1	1
5		47565X057	Bushing (7/32 x 3/8 x 11/32")	1	1
6		1028707	Spring, Release - Right	1	1
6		1028708	Spring, Release - Left	1	1
7		1025735	Locknut (#10-32)	1	1
8		1028846-NLA	NLA - Rivnut (#10-32)	1	1
9		1058478-NLA	NLA - Tube, Legrest Support - Right	1	1
9		1058479-NLA	NLA - Tube, Legrest Support - Left	1	1
10		1027097	Plug Button, Black (3/4")	1	1
11		40363X000	Hex Nut (3/8"-16)	1	3
12		1022854-NLA	NLA - Screw, Shoulder Slotted Head (1/2 x 1-1/8", 3/8-16)	1	1
13		1022877-NLA	NLA - Tube, Support and Drive Link, Chrome - Right	1	1
13		1022878-NLA	NLA - Tube, Support and Drive Link, Chrome - Left	1	1
14	A,C	8881091764	Pad, Legrest, Vinyl - Right/Left	1	1
15		1022848	Tube, Slide, Articulating, Chrome - Right	1	1
15		1022849	Tube, Slide, Articulating, Chrome - Left	1	1
16		1027377	Washer (#20)	1	1
17		60264X001	Locknut (5/16-24)	1	1
18		11232X009	Bolt, Lug (5/16-24 x 1-3/8")	1	1
19		1022866-NLA	NLA - Screw, Socket Button Head (3/8-16 x 3/4")	1	2
20		1049527	Washer, Nylon (3/8 x 3/4 x 1/16")	1	2
21		1025104	Bracket, Legrest, Chrome	1	1
22		1022846-NLA	NLA - Bar, Link, Black	1	1
23		1023811-NLA	NLA - Bar, Ratchet - Right	1	1
23		1023812-NLA	NLA - Bar, Ratchet - Left	1	1
24		10261X000	Nut, Acorn (5/16-24)	1	1
25		1040060	Tip, Plastic, Black	1	1
26		04528X002	Bracket, Release, Black	1	1
27		1037125	Cam, Legrest	1	1
28		1037485	Spring, Release	1	1
29		1037126	Handle, Release	1	1
30		1013519	Washer, Nylon (5/16 x 11/16 x 1/16")	1	1
31		1040831	Ring, Snap	1	1

PAL4A Articulating Legrest Supports (Before 9/1/02) Chrome

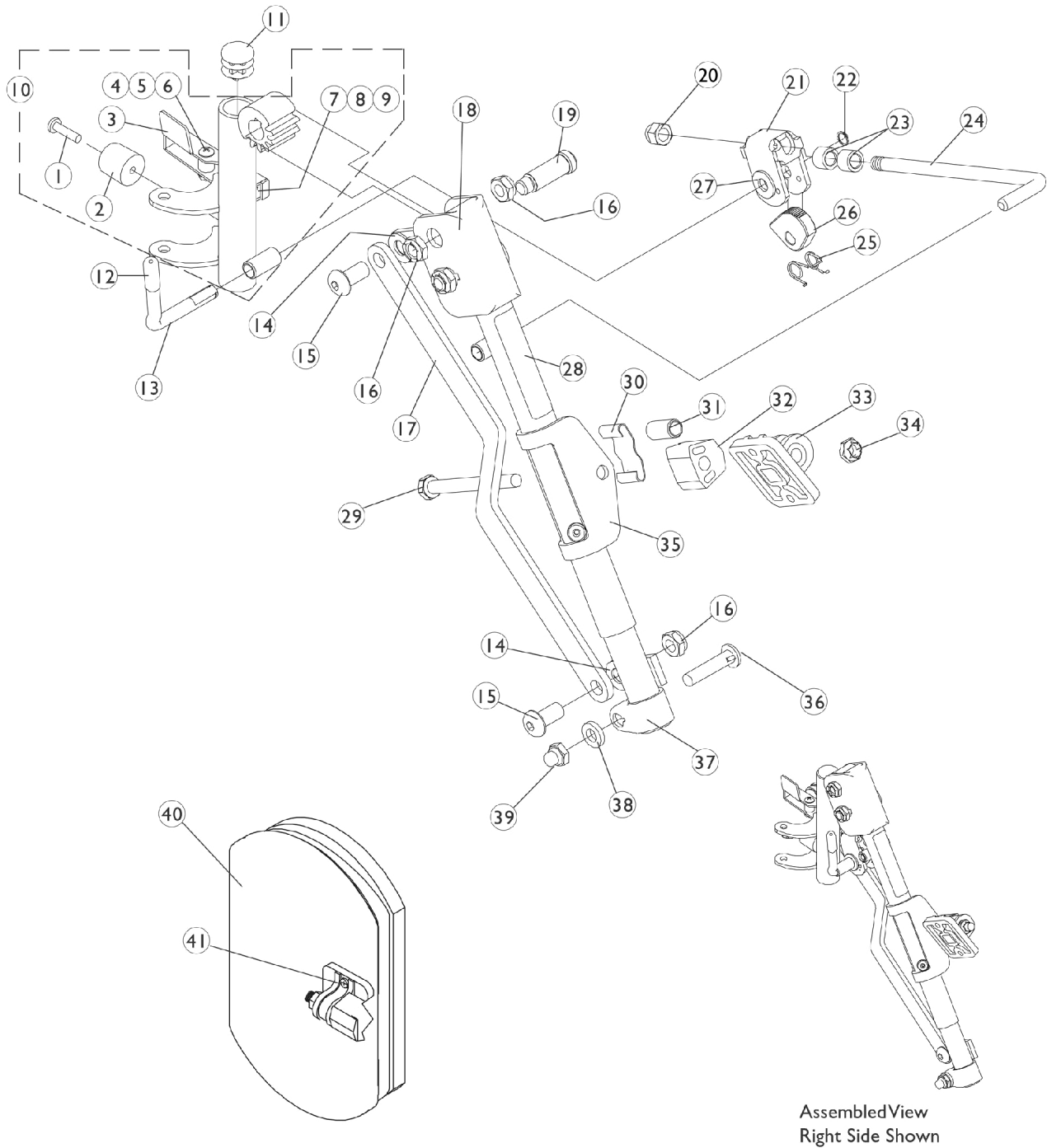
NOTE: Front rigging attachment kit (FRKTM5) must be present when using legrest. Due to a change to the Legrest Calf Pad size made on 4/23/12, you must also order the hardware kit (1066591) when ordering replacement Calf Pads.

Item Number	Note	Part Number	Description	Quantity Per	
				Package	Assembly
32		48823X008	Spring, Leaf	1	1
33		1025133	Spacer, Legrest Pad, Black	1	1
34		04526X019	Plate, Legrest Pad	1	1
35		1014807	Screw, Hex Head (5/16-24 x 3-1/4")	1	1
36	B	1066591	Hardware, Legrest Pad	1	1
			Screw, Phillips Pan Head (#10-32 x 11/16")	1	2
			Screw, Phillips Pan Head (#10-32 x 1")	1	2
			Instruction Sheet, Legrest Pad Mtg.	1	1
37		47328X003	Bushing, Pivot (5/16 x 7/16 x 7/8")	1	2
NOTE: A - Specify upholstery color U67 black when ordering. B - Item includes Screws and Instruction Sheet. C - Due to a change to the Legrest Calf Pad size made on 4/23/12, you must also order the hardware kit (1066591) when ordering replacement Calf Pads.					

PHAL4A (Hemi) Articulating Legrest Supports

9/1/02-1/5/03 Chrome

Note: Front (hemi) rigging attachment kit (1114997) must be present when using legrest.
Due to a change to the Legrest Calf Pad size made on 4/23/12, you must also order the hardware kit (1068649) when ordering replacement Calf Pads.



PHAL4A (Hemi) Articulating Legrest Supports

9/1/02-1/5/03 Chrome

**Note: Front (hemi) rigging attachment kit (1114997) must be present when using legrest.
Due to a change to the Legrest Calf Pad size made on 4/23/12, you must also order the hardware kit
(1068649) when ordering replacement Calf Pads.**

Item Number	Note	Part Number	Description	Quantity Per	
				Package	Assembly
1		1030979	Screw, Phillips Pan Head Tap (#10-32 x 3/4")	1	1
2		1022874	Bumper	1	1
3	A	1087698-NLA	NLA - Handle, Release, Chrome - Right	1	1
3	A	1087699-NLA	NLA - Handle, Release, Chrome - Left	1	1
4		47565X057	Bushing (7/32 x 3/8 x 11/32")	1	1
5		60279X003	Locknut (#10-32)	1	1
6		40163X008	Screw, Phillips Pan Head (#10-32 x 11/16")	1	1
7		1008935	Spring, Release - Right	1	1
7		1008936	Spring, Release - Left	1	1
8		67005X000	Rivnut (#10-32)	1	1
9		40163X002	Screw, Phillips Round Head (#10-32 x 1/2")	1	1
10		1114918-NLA	NLA - Legrest Support Tube Assembly, Hemi, Chrome - Right	1	1
10	E	1114919-NLA	NLA - Legrest Support Tube Assembly, Hemi, Chrome - Left	1	1
11		1027097	Plug Button, Black (3/4")	1	1
12		1040060	Tip, Plastic, Black	1	1
13		1037126	Handle, Release	1	1
14		1049527	Washer, Nylon (3/8 x 3/4 x 1/16")	1	2
15		1022866-NLA	NLA - Screw, Socket Button Head (3/8-16 x 3/4")	1	2
16		40363X000	Hex Nut (3/8"-16)	1	3
17		1022846-NLA	NLA - Bar, Link, Black	1	1
18		1022877-NLA	NLA - Tube, Support and Drive Link, Chrome - Right	1	1
18		1022878-NLA	NLA - Tube, Support and Drive Link, Chrome - Left	1	1
19		1022854-NLA	NLA - Screw, Shoulder Slotted Head (1/2 x 1-1/8", 3/8-16)	1	1
20		10261X000	Nut, Acorn (5/16-24)	1	1
21		04528X002	Bracket, Release, Black	1	1
22		1040831	Ring, Snap	1	1
23		47328X003	Bushing, Pivot (5/16 x 7/16 x 7/8")	1	2
24		42326X004	Bar, Ratchet - Right/Left	1	1
25		1037485	Spring, Release	1	1
26		1037125	Cam, Legrest	1	1
27		1013519	Washer, Nylon (5/16 x 11/16 x 1/16")	1	1
28		1024911-NLA	NLA - Decal, Smartleg	1	1
29		1014807	Screw, Hex Head (5/16-24 x 3-1/4")	1	1
30		48823X008	Spring, Leaf	1	1
31		47328X003	Bushing, Pivot (5/16 x 7/16 x 7/8")	1	1
32		1025133	Spacer, Legrest Pad, Black	1	1
33		04526X019	Plate, Legrest Pad	1	1
34		60264X001	Locknut (5/16-24)	1	1

PHAL4A (Hemi) Articulating Legrest Supports

9/1/02-1/5/03 Chrome

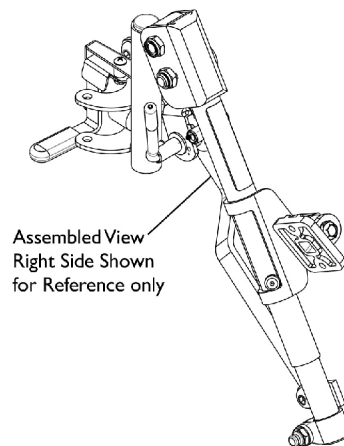
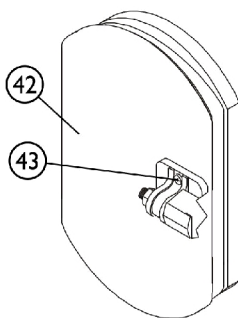
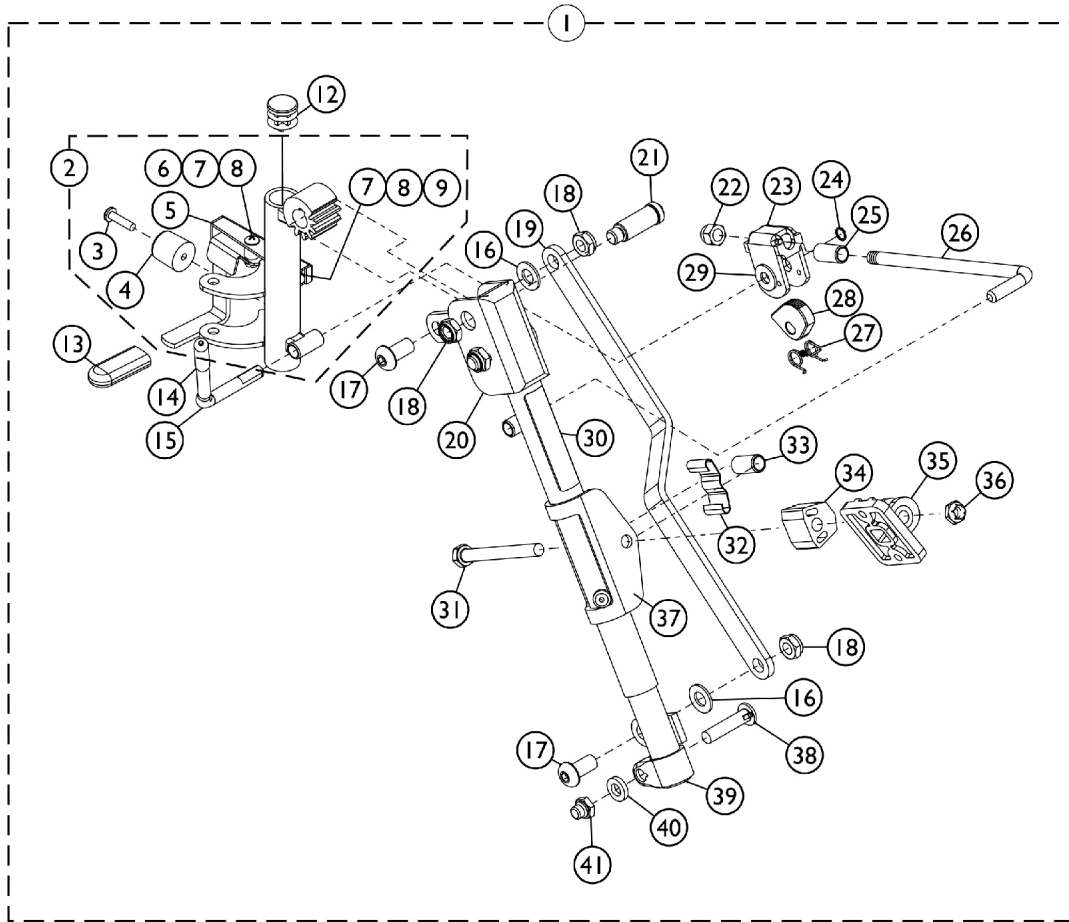
**Note: Front (hemi) rigging attachment kit (1114997) must be present when using legrest.
Due to a change to the Legrest Calf Pad size made on 4/23/12, you must also order the hardware kit (1068649) when ordering replacement Calf Pads.**

Item Number	Note	Part Number	Description	Quantity Per	
				Package	Assembly
35		1025104	Bracket, Legrest, Chrome	1	1
36		11232X009	Bolt, Lug (5/16-24 x 1-3/8")	1	1
37		1022848	Tube, Slide, Articulating, Chrome - Right	1	1
37		1022849	Tube, Slide, Articulating, Chrome - Left	1	1
38		1027377	Washer (#20)	1	1
39		1107321	Nut, Low Cap (5/16"-24)	1	1
40	B,G	8881091764	Pad, Legrest, Vinyl - Right/Left	1	1
41	F	1068649	Hardware, Legrest Pad	1	1
			Screw, Phillips Pan Head (#10-32 x 11/16")	1	2
			Screw, Phillips Pan Head (#10-32 x 1")	1	2
			Instruction Sheet, Legrest Pad Mtg.	1	1
	C,H	1114997	Kit, Front Rigging Hanger Attachment	1	1
			NLA - Bag, Poly Zip-Lip (13" L x 9" W)	1	1
			NLA - Instruction Sheet, Front Rigging Hanger	1	1
			Front Rigging Hanger Assembly w/ Plug Button, Hemi, Black - Right	1	1
			Front Rigging Hanger Assembly w/ Plug Button, Hemi, Black - Left	1	1
			Locknut (1/4-20)	1	4
			NLA - Spacer (1/4 x 3/8 x 3/16")	1	4
			Screw, Hex Head (1/4-20 x 1-1/2")	1	4
			Carton, Shipper	1	1
	D	1114995-NLA	NLA - Legrest Support Assembly, Articulating, Hemi, Chrome - Right	1	1
	D,E	1114996-NLA	NLA - Legrest Support Assembly, Articulating, Hemi, Chrome - Left	1	1

NOTE: A - Right release handle is used on the left side support and the left release handle is used on the right side support.
B - Specify upholstery color U67 black when ordering.
C - Not Shown
D - See pictorial for reference.
E - No longer available as a service part. There is no replacement.
F - Includes Screws and Instruction Sheet.
G - Due to a change to the Legrest Calf Pad size made on 4/23/12, you must also order the hardware kit (1068649) when ordering replacement Calf Pads.
H - Part number 1110523 is no longer available from the Invacare Service Parts Department. Refer to the Invacare Website under "Product Literature Search". Enter the part number in the "Keywords" field and download a free PDF version copy.

PHAL4A (Hemi) Articulating Legrest Supports (After 1/5/03) Chrome

Due to a change to the Legrest Calf Pad size made on 4/23/12, you must also order the hardware kit (1068649) when ordering replacement Calf Pads.



SCP_001A

PHAL4A (Hemi) Articulating Legrest Supports (After 1/5/03) Chrome

Due to a change to the Legrest Calf Pad size made on 4/23/12, you must also order the hardware kit (1068649) when ordering replacement Calf Pads.

Item Number	Note	Part Number	Description	Quantity Per	
				Package	Assembly
1	B	1114761	Legrest Support Assembly, Articulating, Hemi, Chrome - Right	1	1
1	B	1114762	Legrest Support Assembly, Articulating, Hemi, Chrome - Left	1	1
2	C,F	1114759-NLA	NLA - Tube, Legrest Support, Hemi, Chrome - Right	1	1
2	F	1114760	Tube, Legrest Support, Hemi, Chrome - Left	1	1
3		1030979	Screw, Phillips Pan Head Tap (#10-32 x 3/4")	1	1
4		1022874	Bumper	1	1
5		1114751-NLA	NLA - Handle, Release, Chrome - Right	1	1
5		1114752	Handle, Release, Chrome - Left	1	1
6		47565X057	Bushing (7/32 x 3/8 x 11/32")	1	1
7		60279X003	Locknut (#10-32)	1	1
8		40163X008	Screw, Phillips Pan Head (#10-32 x 11/16")	1	1
9		1008935	Spring, Release - Right	1	1
9		1008936	Spring, Release - Left	1	1
10		67005X000	Rivnut (#10-32)	1	1
11		40163X002	Screw, Phillips Round Head (#10-32 x 1/2")	1	1
12		1027097	Plug Button, Black (3/4")	1	1
13		1006490	Tip, Plastic, Black	1	1
14		1040060	Tip, Plastic, Black	1	1
15		1037126	Handle, Release	1	1
16		1049527	Washer, Nylon (3/8 x 3/4 x 1/16")	1	2
17		1022866-NLA	NLA - Screw, Socket Button Head (3/8-16 x 3/4")	1	2
18		40363X000	Hex Nut (3/8"-16)	1	3
19		1022846-NLA	NLA - Bar, Link, Black	1	1
20		1022877-NLA	NLA - Tube, Support and Drive Link, Chrome - Right	1	1
20		1022878-NLA	NLA - Tube, Support and Drive Link, Chrome - Left	1	1
21		1022854-NLA	NLA - Screw, Shoulder Slotted Head (1/2 x 1-1/8", 3/8-16)	1	1
22		10261X000	Nut, Acorn (5/16-24)	1	1
23		04528X002	Bracket, Release, Black	1	1
24		1040831	Ring, Snap	1	1
25		47328X003	Bushing, Pivot (5/16 x 7/16 x 7/8")	1	2
26		42326X004	Bar, Ratchet - Right/Left	1	1
27		1037485	Spring, Release	1	1
28		1037125	Cam, Legrest	1	1
29		1013519	Washer, Nylon (5/16 x 11/16 x 1/16")	1	1
30		1024911-NLA	NLA - Decal, Smartleg	1	1
31		1014807	Screw, Hex Head (5/16-24 x 3-1/4")	1	1
32		48823X008	Spring, Leaf	1	1
33		47328X003	Bushing, Pivot (5/16 x 7/16 x 7/8")	1	1
34		1025133	Spacer, Legrest Pad, Black	1	1

PHAL4A (Hemi) Articulating Legrest Supports (After 1/5/03) Chrome

Due to a change to the Legrest Calf Pad size made on 4/23/12, you must also order the hardware kit (1068649) when ordering replacement Calf Pads.

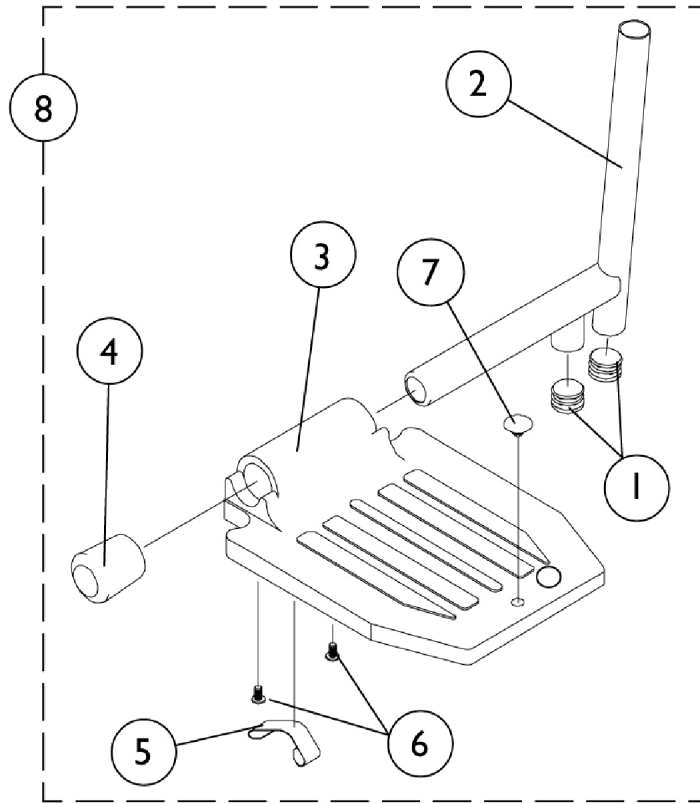
Item Number	Note	Part Number	Description	Quantity Per	
				Package	Assembly
35		04526X019	Plate, Legrest Pad	1	1
36		60264X001	Locknut (5/16-24)	1	1
37		1025104	Bracket, Legrest, Chrome	1	1
38		11232X009	Bolt, Lug (5/16-24 x 1-3/8")	1	1
39		1022848	Tube, Slide, Articulating, Chrome - Right	1	1
39		1022849	Tube, Slide, Articulating, Chrome - Left	1	1
40		1027377	Washer (#20)	1	1
41		1107321	Nut, Low Cap (5/16"-24)	1	1
42	A,E	8881091764	Pad, Legrest, Vinyl - Right/Left	1	1
43	D	1068649	Hardware, Legrest Pad	1	1
			Screw, Phillips Pan Head (#10-32 x 11/16")	1	2
			Screw, Phillips Pan Head (#10-32 x 1")	1	2
			Instruction Sheet, Legrest Pad Mtg.	1	1

NOTE: A - Specify upholstery color U67 black when ordering.
 B - Includes items 3-41
 C - No Longer Available individually. See part # 1114761 for replacement.
 D - Item Includes Screws and Instruction Sheet.
 E - Due to a change to the Legrest Calf Pad size made on 4/23/12, you must also order the hardware kit (1068649) when ordering replacement Calf Pads.
 F - Includes items 3-9.

Pivot/ Slide Tube and Footplate - Legrests

For the Following Legrests:
P904A PH904A, PAL4A, PHAL4A

Note: Heel Loops are not included. See miscellaneous accessories.



Pivot/ Slide Tube and Footplate - Legrests

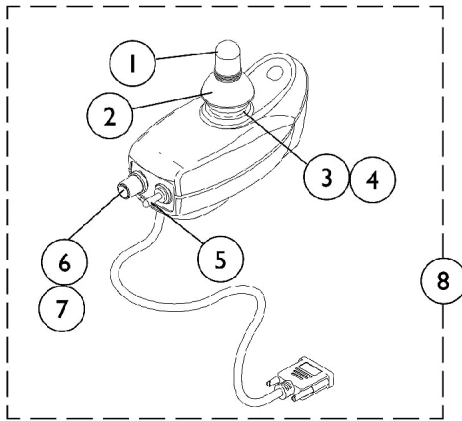
**For the Following Legrests:
P904A PH904A, PAL4A, PHAL4A**

Note: Heel Loops are not included. See miscellaneous accessories.

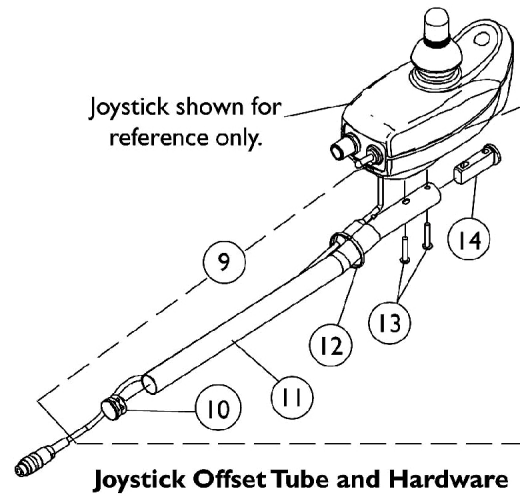
Item Number	Note	Part Number	Description	Quantity Per	
				Package	Assembly
1		1027097	Plug Button, Black (3/4")	1	2
2	A	1100568-NLA	NLA - Pivot/Slide Tube w/ Plug Button, Black	1	1
2	B	1041526	Pivot/Slide Tube w/ Plug Button Assembly, Chrome	1	1
3		44200X027	Footplate, Aluminum, Medium, Black (7-3/4" W x 6" L)	1	1
4		1016346	Cap, End, Tube, Black (7/8")	1	1
5		1006981	Spring, Tension	1	1
6		40120X001	Screw, Phillips Pan Head (#8-32 x 3/8")	1	2
7		1070168	Plug, Push, Footplate	1	1
8	A	1058604	Pivot/Slide Tube w/ Aluminum Footplate, Black - Right	1	1
8	A	1058605	Pivot/Slide Tube Assembly w/ Aluminum Footplate, Black - Left	1	1
8	B	1023907	Footplate w/Pivot Slide Tube - RH (18")	1	1
8	B	1023908	Footplate w/Pivot Slide Tube - LH (18")	1	1
NOTE: A - For P904A, PH904A B - For PAL4A, PHAL4A					

MKIV RII Joystick and Mounting Hardware

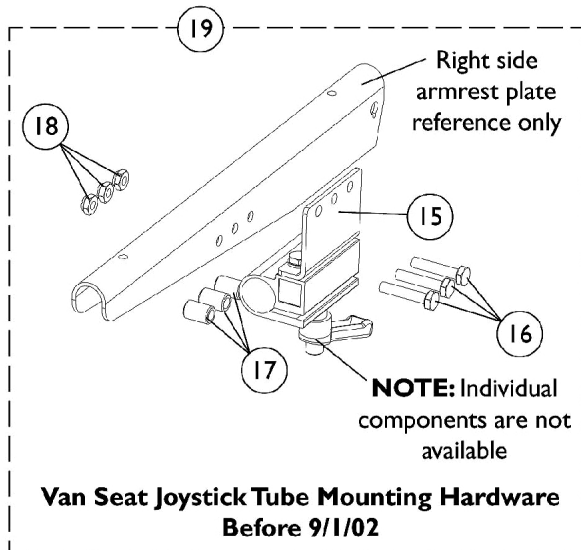
Before 6/27/03



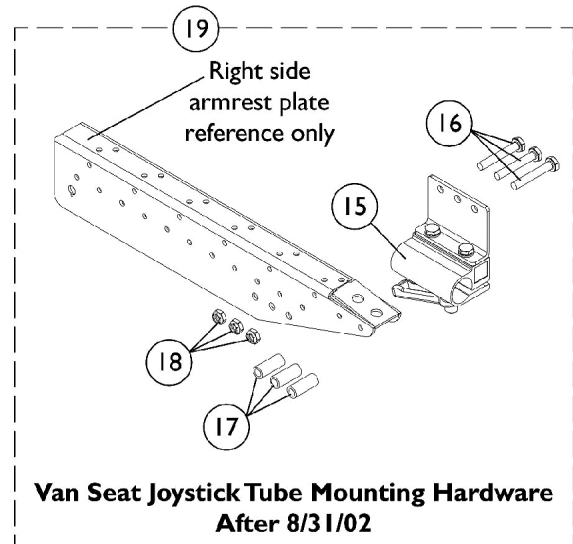
1107267
MKIV RII Joystick



Joystick Offset Tube and Hardware



Van Seat Joystick Tube Mounting Hardware
Before 9/1/02



Van Seat Joystick Tube Mounting Hardware
After 8/31/02

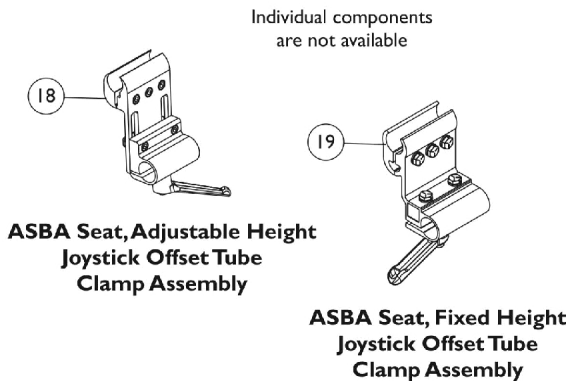
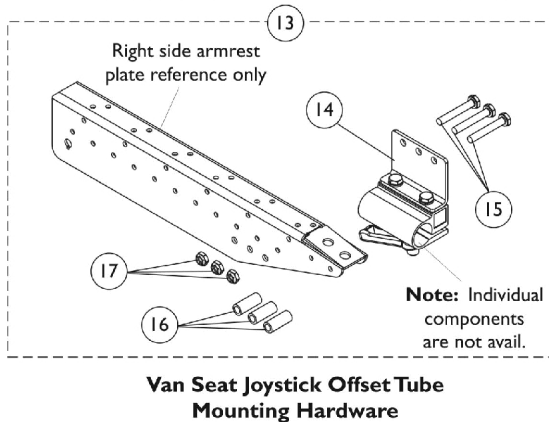
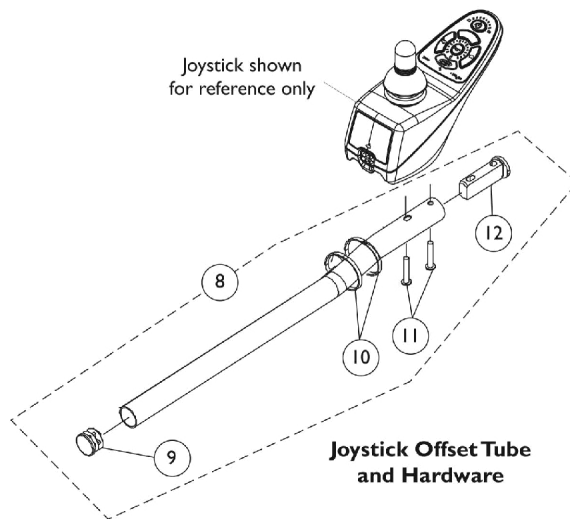
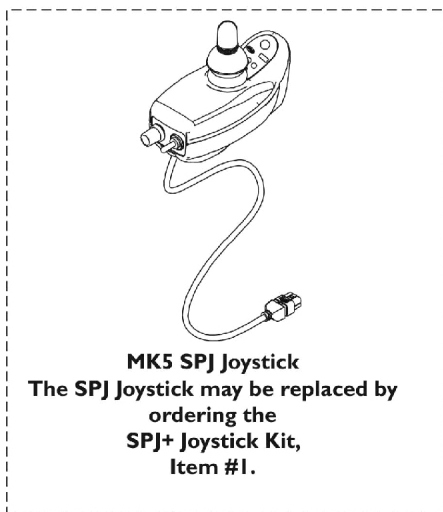
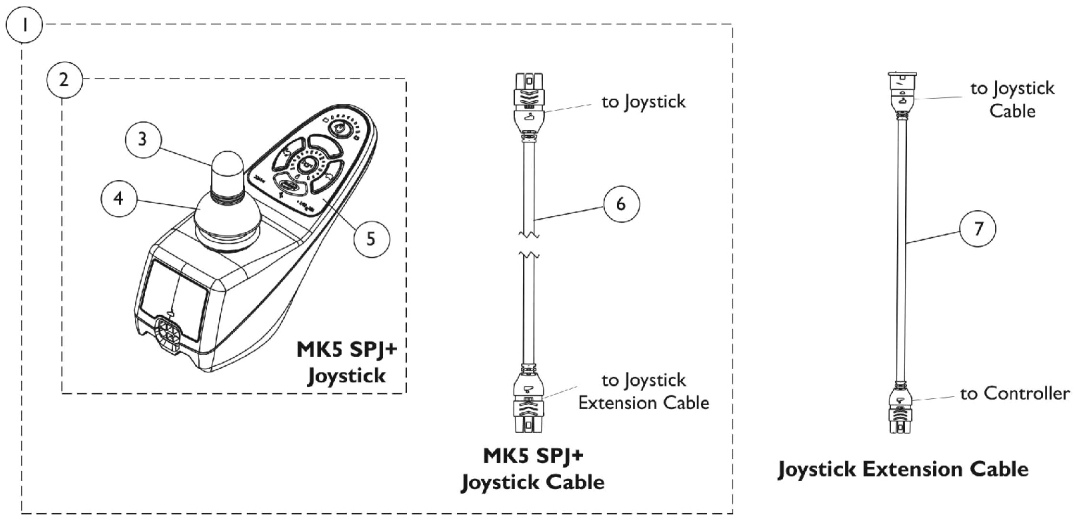
MKIV RII Joystick and Mounting Hardware Before 6/27/03

Item Number	Note	Part Number	Description	Quantity Per	
				Package	Assembly
1		1040217	Knob, Joystick Rubber, Black	1	1
2		1040218	Skirt, Joystick Rubber, Black	1	1
3		1036764-NLA	NLA - Inductive, Joystick	1	1
4		50000X364-NLA	NLA - Boot, Joystick	1	1
5		1010042-NLA	NLA - Switch, Toggle SPDT	1	1
6		1040225-NLA	NLA - Potentiometer, Speed	1	1
7		1025516-NLA	NLA - Knob, Speed Control	1	1
8		1107267-NLA	NLA - Joystick, MKIV RII	1	1
9	B	1161733	Kit, 2" Offset Joystick Tube w/ Hardware	1	1
10			Plug Button, Black (7/8")	1	1
11			Tube, Joystick Offset (2")	1	1
12			Tie Wrap (11-1/2" L)	1	2
13			Screw, Phillips Pan Head (#10-32 x 1-1/8")	1	2
13			Screw, Phillips Pan Head (M5 x .8 x 30mm)	1	2
14			Spacer, Joystick Tube, Black	1	1
10		1027095	Plug Button, Black (7/8")	1	1
12		1095502-NLA	NLA - Package, Tie Wrap (11-1/2" L)	10	1
15	F	1105049	Clamp Assembly, Fixed Height, Captain/ Van Seat	1	1
16	D	1057955	Screw, Hex Head (1/4-20 x 1-1/4")	1	3
16	E	1037610	Screw, Hex Head (1/4-20 x 1-5/8")	1	3
17	D	1101524-NLA	NLA - Spacer (1/4 x 7/16 x 5/8")	1	3
17	E	1087219	Spacer (1/4 x 3/8 x 1")	1	3
18		1025195	NLA - Locknut (1/4-20)	1	3
19	C,D,F	1105050-NLA	NLA - Kit, Joystick Tube Mounting Hardware - Captain/ Van Seat	1	1
19	C,E,F	1115000	Kit, Joystick Tube Mounting Hardware - Captain Seat	1	1
	A	1006271	Extension, Joystick, Straight Style (1561) (1/2" W x 5" L)	1	1
	A	1006270	Extension, Joystick, "T" Style (1560) (4" W x 5-1/2" L)	1	1

NOTE: A - Not Shown
 B - Includes items 10 thru 14. Kit contains Standard (#10-32) and Metric (M5) screws. Customer selects the screws that applies to their application.
 C - Includes items 15 thru 18.
 D - Before 9/1/02
 E - After 8/31/02
 F - Due to product improvement, the joystick mounting bracket with a separate adjustment lock were replaced with the clamp assembly shown as of 2/20/03 and is backward compatible.

MK5 SPJ (After 6/26/03) & SPJ+ (Introduced 8/16/05) Joystick and Mounting Hardware

The SPJ+ Joystick plus Cable Kit replaces the SPJ Joystick after 10/31/07.



MK5 SPJ (After 6/26/03) & SPJ+ (Introduced 8/16/05) Joystick and Mounting Hardware

The SPJ+ Joystick plus Cable Kit replaces the SPJ Joystick after 10/31/07.

Item Number	Note	Part Number	Description	Quantity Per	
				Package	Assembly
1	A,G	1153650	Kit, SPJ+ Joystick w/ Cable	1	1
2			Joystick, SPJ+	1	1
3			Knob, Joystick Rubber, Black	1	1
4			Skirt, Joystick Rubber, Black	1	1
5			NLA - Overlay, SPJ+ Joystick	1	1
6			Cable, Joystick SPJ+	1	1
7		1116404	Cable, Joystick Extension	1	1
2		1127291	Joystick, SPJ+	1	1
	H	See Note-NLA	See Footnote	1	1
3		1040217	Knob, Joystick Rubber, Black	1	1
4		1040218	Skirt, Joystick Rubber, Black	1	1
5		1165094	Kit, Overlay, SPJ+ Joystick (MK5/MK6)	1	1
			NLA - Overlay, SPJ+ Joystick	1	1
			Instruction Sheet, MK5/MK6 Overlay	1	1
6		1127293	Cable, Joystick SPJ+	1	1
7		1116404	Cable, Joystick Extension	1	1
8	E	1161733	Kit, 2" Offset Joystick Tube w/ Hardware	1	1
9			Plug Button, Black (7/8")	1	1
10			Tie Wrap (11-1/2" L)	1	2
11			Screw, Phillips Pan Head (#10-32 x 1-1/8")	1	2
11			Screw, Phillips Pan Head (M5 x .8 x 30mm)	1	2
12			Spacer, Joystick Tube, Black	1	1
			Tube, Joystick Offset (2")	1	1
8	B	1093069	Kit, 1/2" Offset Joystick Tube with Hardware	1	1
9		1027095	Plug Button, Black (7/8")	1	1
10		1095502-NLA	NLA - Package, Tie Wrap (11-1/2" L)	10	1
11		1025714	Screw, Phillips Pan Head (#10-32 x 1-1/8")	1	2
12		1093063	Spacer, Joystick Tube, Black	1	1
13	C	1115000	Kit, Joystick Tube Mounting Hardware - Captain Seat	1	1
14		1105049	Clamp Assembly, Fixed Height, Captain/ Van Seat	1	1
15		1037610	Screw, Hex Head (1/4-20 x 1-5/8")	1	3
16		1087219	Spacer (1/4 x 3/8 x 1")	1	3
17		1025195	NLA - Locknut (1/4-20)	1	3
18		1139422	Clamp, Height Adjustable Joystick Tube (ARM250)	1	1
19		1093071	Clamp, Fixed Height Joystick Tube	1	1
	D	1006270	Extension, Joystick, "T" Style (1560) (4" W x 5-1/2" L)	1	1
	D	1006271	Extension, Joystick, Straight Style (1561) (1/2" W x 5" L)	1	1

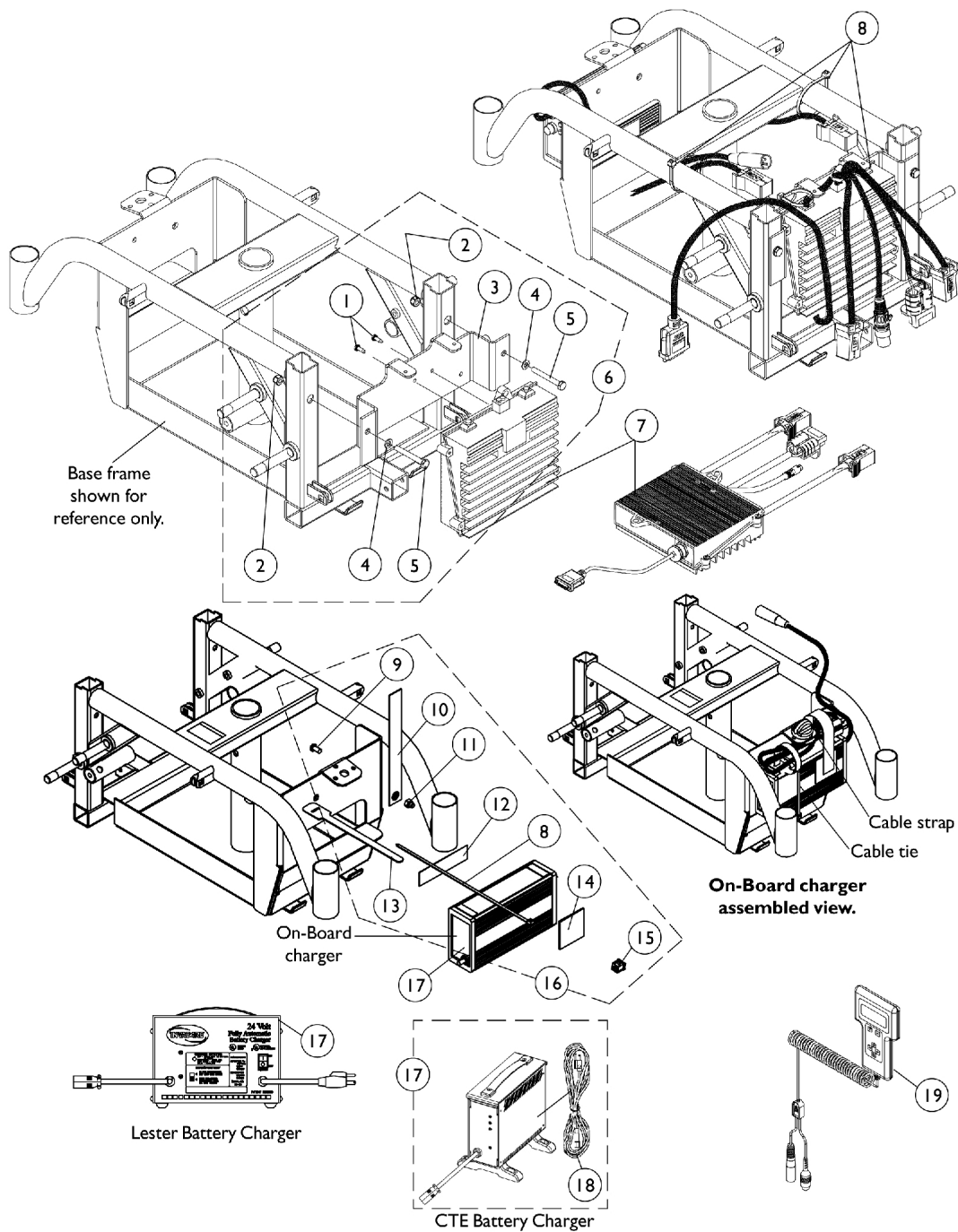
MK5 SPJ (After 6/26/03) & SPJ+ (Introduced 8/16/05) Joystick and Mounting Hardware

The SPJ+ Joystick plus Cable Kit replaces the SPJ Joystick after 10/31/07.

NOTE: A - Includes items 2 thru 6.
B - Used on A.S.B.A. seats. Includes Joystick Tube plus items 9 thru 12.
C - Includes items 14 thru 17.
D - Not Shown.
E - Used on Van Seats. Includes Joystick Tube and items 9 thru 13. Kit contains Standard (#10-32) and Metric (M5) screws. Customer selects the screw that applies to their application.
G - Before replacing your joystick, verify with Invacare Technical Service Phone Support first to see if only a Joystick Overlay Kit is needed
H - MK5 SPJ Joystick part number is no longer available as a service part. Use item #1 1153650 as the replacement.

MKIV Controllers, Programmer and Battery Chargers

Before 6/27/03



MKIV Controllers, Programmer and Battery Chargers Before 6/27/03

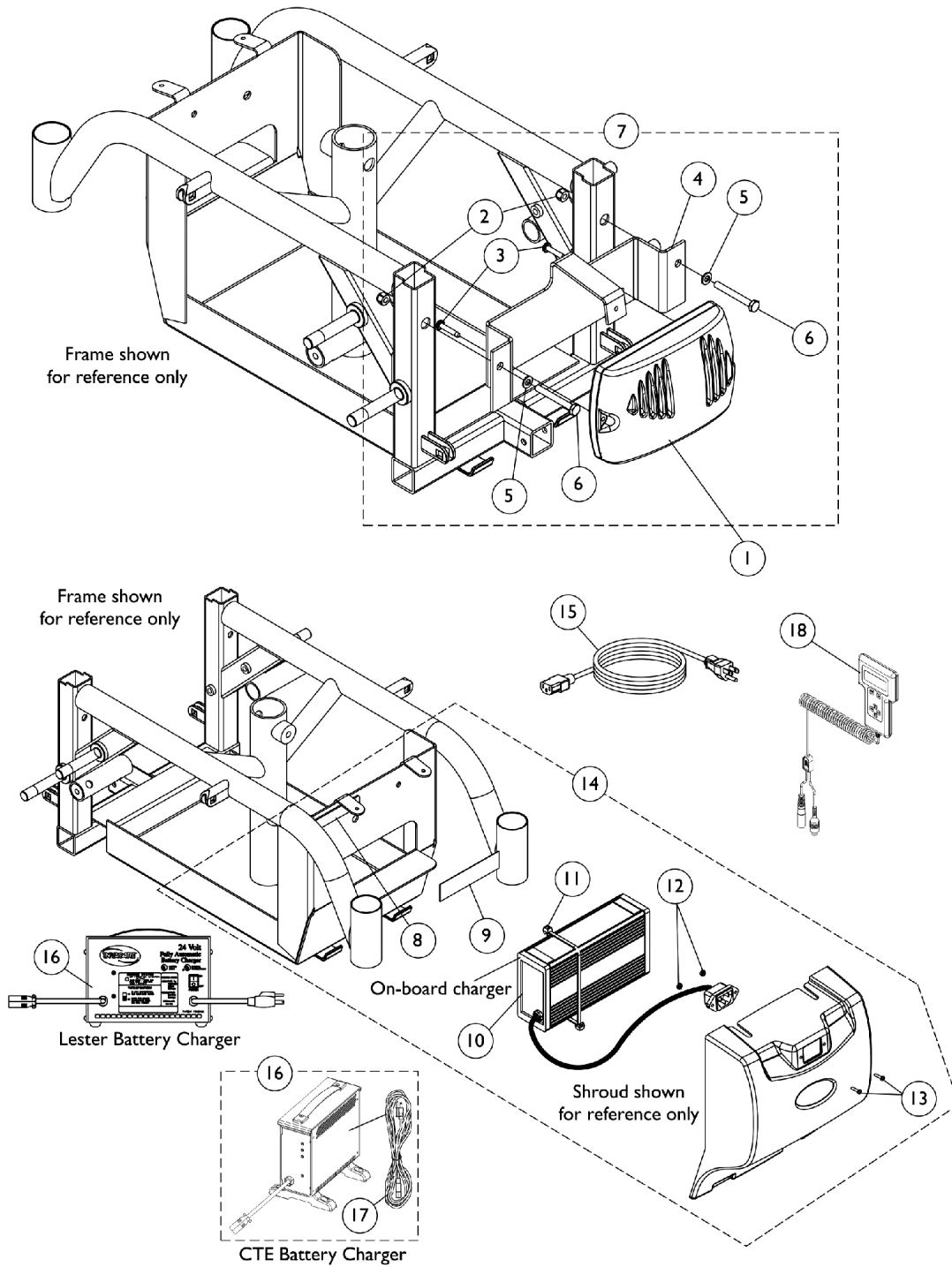
Item Number	Note	Part Number	Description	Quantity Per	
				Package	Assembly
1		1040223-NLA	NLA - Screw (#8-32 x 1/2")	1	2
2		1025736	Locknut (1/4-20)	1	2
3	A	1112287-NLA	NLA - Bracket, Controller Mounting with Decals, Black	1	1
4		1026907	Washer (1/4 x 1/2 x 1/16")	1	2
5		1024796-NLA	NLA - Screw, Hex Head (1/4-20 x 2")	1	2
6	B	1110617-NLA	NLA - Controller Mounting Hardware	1	1
7	G,L	1106820-NLA	NLA - Controller, MKIV RII	1	1
7	G	1106820E-NLA	NLA - WARR RPLMT - Controller, MKIV RII	1	1
7	H	1112269-NLA	NLA - Controller, MKIV RII LP	1	1
8		1095502-NLA	NLA - Package, Tie Wrap (11-1/2" L)	10	4
9		1007269	Screw, Socket Button Head (1/4-20 x 5/8")	1	1
10		1112746-NLA	NLA - Strap, Cable	1	1
11		1044214	Nut, Hex with Nylon Cap (1/4-20)	1	1
12		1062095-NLA	NLA - Fastener, Loop with Adhesive Back (1" W x 4" L)	1	1
13		1112745-NLA	NLA - Tie Wrap, Hook and Loop (8" L)	1	1
14		1086270-NLA	NLA - Hook Fastener with Adhesive Back (2" W x 9-1/2" L)	1	1
15		1112747-NLA	NLA - Bushing, Relief Strain	1	1
16	D	1112956-NLA	NLA - On-Board Charger Mounting Hardware	1	1
17	I	1106483	Battery Charger, 3 Amp, 115vac, On Board, Dual Mode, Round Plug	1	1
17	J,N	1053161-NLA	NLA - Charger, Battery, 8 Amp, 115vac, Off Board Dual Mode Round Plug, Lester	1	1
17	K	1123249	Charger, Battery, 8 Amp. 115vac (Off Board) Single Mode Round Plug w/ AC Power Line Cord	1	1
17	K	1123249E-NLA	NLA - WARR RPLMT - Charger, Battery, 8 Amp, 115VAC (Off Board) Single Mode Round Plug w/ AC Power Line Cord	1	1
18	M	1089627-NLA	NLA - Cord, AC Power, 115VAC, 2 Prong Off-Board (11' 6" L)	1	1
18		1121086	Cord, AC Power, 115VAC, 3 Prong On-Board (6' 6-1/2" L)	1	1
19		1109091-NLA	NLA - Programmer, Remote	1	1
	C,E	1064404-NLA	NLA - Virtual Service Modem Kit	1	1
	C,F	1091631-NLA	NLA - Virtual Service Software Kit	1	1
	C,E	1103051-NLA	NLA - MKIV One 2 One Software Kit	1	1
	C	1095204-NLA	NLA - Cable, Virtual Service, Charger/Modem	1	1
	C	1091980-NLA	NLA - Disk, 3.5 H.D. Floppy with V.S. Software	1	1
	C	1091637-NLA	NLA - Adaptor, Null Modem	1	1
	C	1091636-NLA	NLA - Service Manual - V.S. Software Kit	1	1
	C	1035900	Decal, Transportation	1	1
	C	1119281-NLA	NLA - Plate, Name, Patent Numbers	1	1

MKIV Controllers, Programmer and Battery Chargers Before 6/27/03

NOTE: A - Transportation lable part number 1035900 and patent number name plate part number 60106X013 are included wiht the controller bracket
B - Includes items 1-5
C - Not Shown
D - Includes items 8-15
E - Part number 1095204 is available for individual sale.
F - Part numbers 1095204, 1091980, 1091637, and 1091636 are available for individual sale.
G - Pronto M51
H - Pronto M50
I - On-Board
J - Optional
K - CTE charger introduced 4/1/04. Used on Gel Cell or AGM (Absorbed Glass Mat) batteries. Serial number starts with 04A00000001. For wet cell batteries refer to the Lester 8 Amp. charger.
L - Part #1106820 is No Longer Available. See part #1106820E as a replacement.
M - No longer available as a service part. Please use 1121086 as its replacement.
N - Use Battery Charger part number 1123249 as a replacement.

Electronics - MK5 NX Controllers, Programmer and Battery Chargers

After 6/26/03



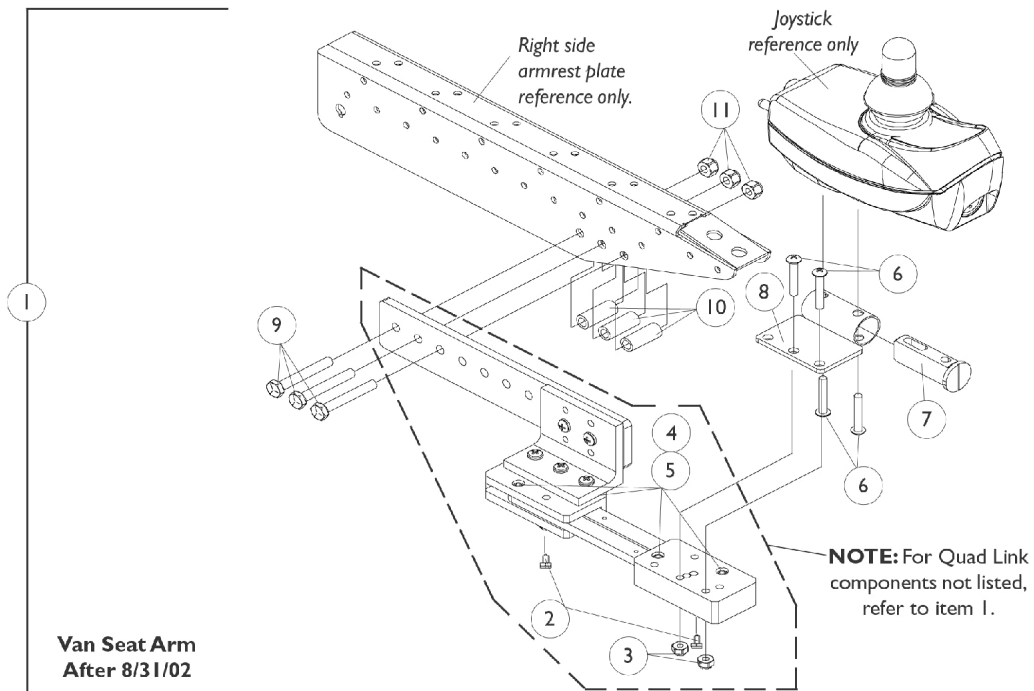
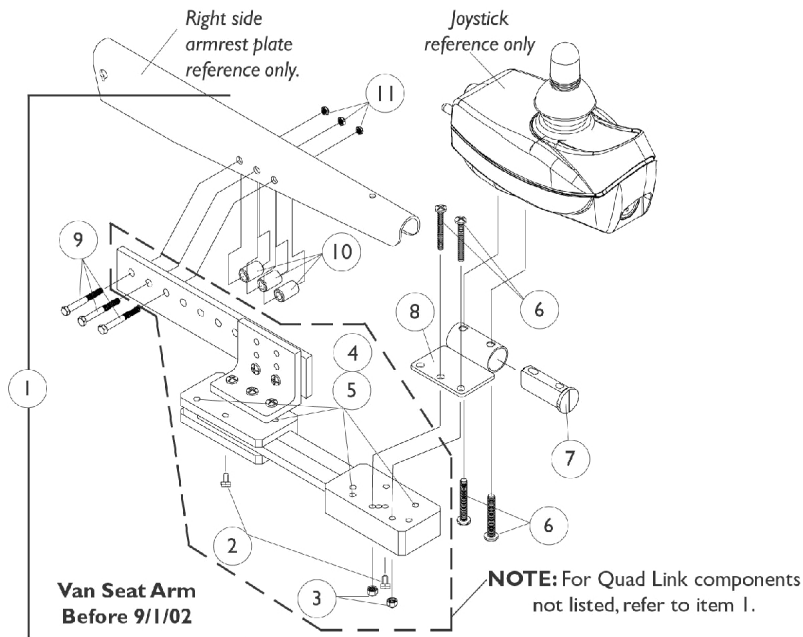
Electronics - MK5 NX Controllers, Programmer and Battery Chargers After 6/26/03

Item Number	Note	Part Number	Description	Quantity Per	
				Package	Assembly
1	A	1109531-NLA	NLA - Controller, MK5 NX-LP	1	1
1	B	1109530	Controller, MK5 NX	1	1
1	B	1109530E-NLA	NLA - WARR RPLMT - Controller, MK5 NX	1	1
2		1025736	Locknut (1/4-20)	1	2
3		1113439-NLA	NLA - Screw, Phillips Pan Head Tap (#10-32 x 1")	1	2
4		1116411-NLA	NLA - Bracket, Controller Mounting with Decals, Black	1	1
5		1026907	Washer (1/4 x 1/2 x 1/16")	1	2
6		1024796-NLA	NLA - Screw, Hex Head (1/4-20 x 2")	1	2
7	C	1116412-NLA	NLA - Controller Mounting Hardware	1	1
8		1110654-NLA	NLA - Decal, Blank	1	1
9		47375X275	Fastener, Loop with Adhesive (1")	1	1
10	F	1118923	Charger, Battery with Power Cord 3 Amp, On-Board	1	1
10	F	1118923E-NLA	NLA - WARR RPLMT - Charger, Battery w/ Power Cord 3 Amp, On-Board	1	1
11		98007X005	Tie Wrap (11-1/2" L)	1	2
12		P0870X000	Nut, Hex Keps (#4-40)	1	2
13		1021742	Screw, Phillips Pan Head (#4-40 x 1/2")	1	2
14	D	1116415-NLA	NLA - Charger, Battery with Hardware, On-Board (3 AMP)	1	1
15		1121086	Cord, AC Power, 115VAC, 3 Prong On-Board (6' 6-1/2" L)	1	1
16	H	1053161-NLA	NLA - Charger, Battery, 8 Amp, 115vac, Off Board Dual Mode Round Plug, Lester	1	1
16	E	1123249	Charger, Battery, 8 Amp. 115vac (Off Board) Single Mode Round Plug w/ AC Power Line Cord	1	1
16	E	1123249E-NLA	NLA - WARR RPLMT - Charger, Battery, 8 Amp, 115VAC (Off Board) Single Mode Round Plug w/ AC Power Line Cord	1	1
17	G	1089627-NLA	NLA - Cord, AC Power, 115VAC, 2 Prong Off-Board (11' 6" L)	1	1
17		1121086	Cord, AC Power, 115VAC, 3 Prong On-Board (6' 6-1/2" L)	1	1
18		1109091-NLA	NLA - Programmer, Remote	1	1

NOTE: A - M50 Models
 B - M51 Models
 C - Includes items 2-6. Does Not Include Controller.
 D - Includes items 8-13
 E - CTE charger introduced on-chair as an optional choice 4/1/04. Used on Gel Cell or AGM (Absorbed Glass Mat) batteries. Serial number starts with 04A00000001. For wet cell batteries refer to the Lester 8 Amp. charger.
 F - On Board charger is included as a standard feature.
 G - No longer available as a service part. Please use 1121086 as its replacement.
 H - Use Battery Charger part number 1123249 as a replacement.

Quad Link Assembly

Before 4/07/06



Quad Link Assembly Before 4/07/06

Item Number	Note	Part Number	Description	Quantity Per	
				Package	Assembly
1	A	1074153	NLA - Kit, Quad Link Assembly - Right For Van Seats	1	1
2			NLA - Ball Plunger Assembly with Lock Washer	2	1
3			Locknut (#10-32)	1	2
4			NLA - Screw, Cap, Socket Head (#10-32 x 1/2")	1	4
5			NLA - Bushing, Bronze (3/16 x 1/4 x 1/4")	1	4
6			Screw, Phillips Pan Head (#10-32 x 1-1/8")	1	4
7			Spacer, Joystick Tube, Black	1	1
8			NLA - Stud Plate, Quad Link	1	1
9			Screw, Hex Head (1/4-20 x 1-1/2")	1	3
10			NLA - Spacer (1/4 x 7/16 x 5/8")	1	3
11			Locknut (1/4-20)	1	3
1	B	1119215	NLA - Kit, Quad Link Assembly - Right For Van Seats	1	1
2			NLA - Ball Plunger Assembly with Lock Washer	2	1
3			Locknut (#10-32)	1	2
4			NLA - Screw, Cap, Socket Head (#10-32 x 1/2")	1	4
5			NLA - Bushing, Bronze (3/16 x 1/4 x 1/4")	1	4
6			Screw, Phillips Pan Head (#10-32 x 1-1/8")	1	4
7			Spacer, Joystick Tube, Black	1	1
8			NLA - Stud Plate, Quad Link	1	1
9			NLA - Screw, Hex Head (1/4-20 x 1-3/4")	1	3
10			Spacer (1/4 x 3/8 x 1")	1	3
11			Locknut (1/4-20)	1	3
1	B	1119216	NLA - Kit, Quad Link Assembly - Left For Van Seats	1	1
2			NLA - Ball Plunger Assembly with Lock Washer	2	1
3			Locknut (#10-32)	1	2
4			NLA - Screw, Cap, Socket Head (#10-32 x 1/2")	1	4
5			NLA - Bushing, Bronze (3/16 x 1/4 x 1/4")	1	4
6			Screw, Phillips Pan Head (#10-32 x 1-1/8")	1	4
7			Spacer, Joystick Tube, Black	1	1
8			NLA - Stud Plate, Quad Link	1	1
9			NLA - Screw, Hex Head (1/4-20 x 1-3/4")	1	3
10			Spacer (1/4 x 3/8 x 1")	1	3
11			Locknut (1/4-20)	1	3
2		1114863-NLA	NLA - Ball Plunger Assembly with Lock Washer	2	1

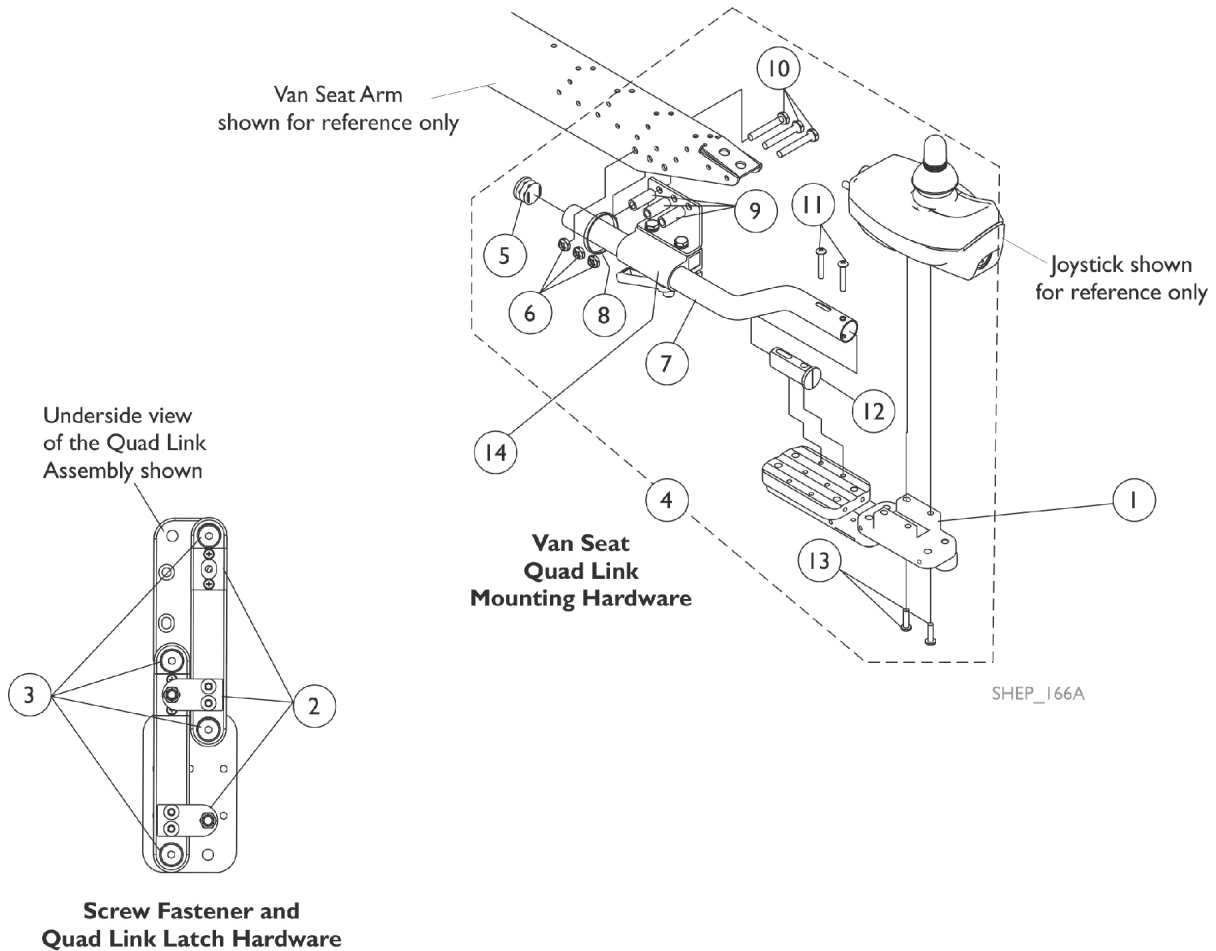
NOTE: A - Includes the Quad Link, items 2-11 and used for Van Seats before 9/1/02. For left side mounted Quad link, order as a special
B - Includes the Quad Link, items 2-11 and used for Van Seats after 8/31/02

Quad Link Assembly (QL)

After 4/06/06

When converting an old style Quad Link that attaches to a mounting plate is currently on the chair then order the following for Van Seat; Quad Link Mtg. Hdwr. (item 12), Quad Link (item 1) & Joystick Tube Clamp (item 14)

NOTE: Substitute (item 4) with 2 ea. of the PPH Screws (item 5) when an offset joystick tube is currently on the chair.



Quad Link Assembly (QL)

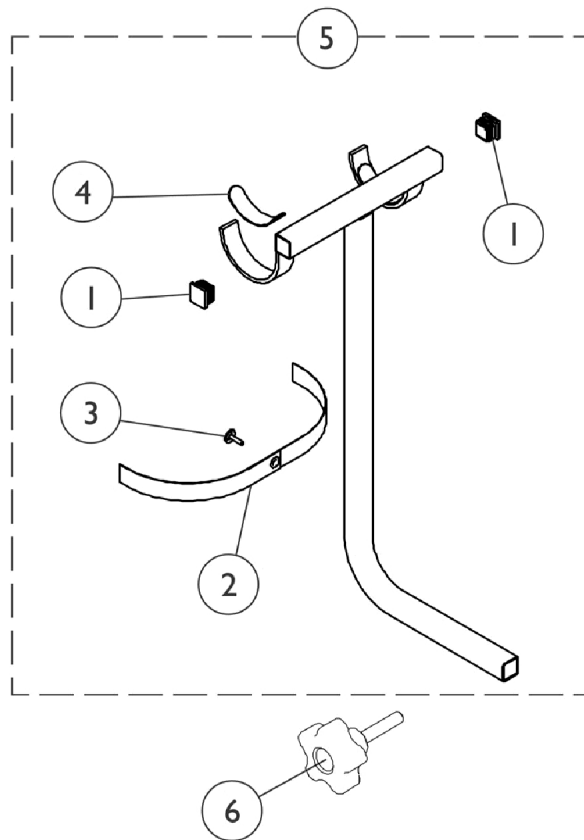
After 4/06/06

When converting an old style Quad Link that attaches to a mounting plate is currently on the chair then order the following for Van Seat; Quad Link Mtg. Hdwr. (item 12), Quad Link (item 1) & Joystick Tube Clamp (item 14)

NOTE: Substitute (item 4) with 2 ea. of the PPH Screws (item 5) when an offset joystick tube is currently on the chair.

Item Number	Note	Part Number	Description	Quantity Per	
				Package	Assembly
1		1140898	Quad Link (QL) with Instruction Sheet - Right	1	1
1		1140899	Quad Link (QL) with Instruction Sheet - Left	1	1
2	A	1140425	Kit, Quad Link Latch Hardware	1	1
3	B	1140424-NLA	NLA - Kit, Quad Link Screw Fastener Hardware	1	1
4	C,E,E1	1143042	Kit, Quad Link Mounting Hardware - Van Seat	1	1
5			Plug Button, Black (7/8")	1	1
6			NLA - Locknut (1/4-20)	1	3
7			Tube, Joystick Offset (2")	1	1
8			Tie Wrap (11-1/2" L)	1	1
9			Spacer (1/4 x 3/8 x 1")	1	3
10			Screw, Hex Head (1/4-20 x 1-5/8")	1	3
11			Screw, Phillips Pan Head (#10-32 x 1-1/8")	1	2
12			Spacer, Joystick Tube, Black	1	1
13			Screw, Phillips Pan Head w/ Patch (#10-32 x 3/4")	1	2
14		1139681	Clamp Assembly, Fixed Height, Captain/ Van Seat	1	1
	D	1134844	Instruction Sheet, Quad Link	1	1
<p>NOTE: A - Latch Kit includes 4 ea. Button Head Cap Screws (10-32 x 3/8"), 2 ea. Latch Spring Assembly, 4 ea. Phillips Flat C/Sunk Head Screws, 2 ea. Spring Catch Plates, 2 ea. Socket Head Set Screws (10-32 x 3/8")</p> <p>B - Screw Fastener Kit includes 4 ea. Socket Head Shoulder Screws (3/8 x 3/8"), 2 ea. Socket Head Cap Screws (1/4-20 x 3/8"), 2 ea. Socket Head Set Screws (1/4-20 x 1/2"), 4 ea. Socket Head Set Screws (10-32 x 1/8")</p> <p>C - Includes items 5-13</p> <p>D - Not Shown</p> <p>E - If Quad Link is to be mounted on chairs w/ van seats built Before 4/07/06, then a new Upper Arm Asbly. (adj. height) or complete Fixed Height Arm Asbly. must be ordered as well. See van seat arms category.</p> <p>E1 - The new Arm Pads have 3 additional holes drilled in the armrest plate so that the quad link can be properly mounted.</p>					

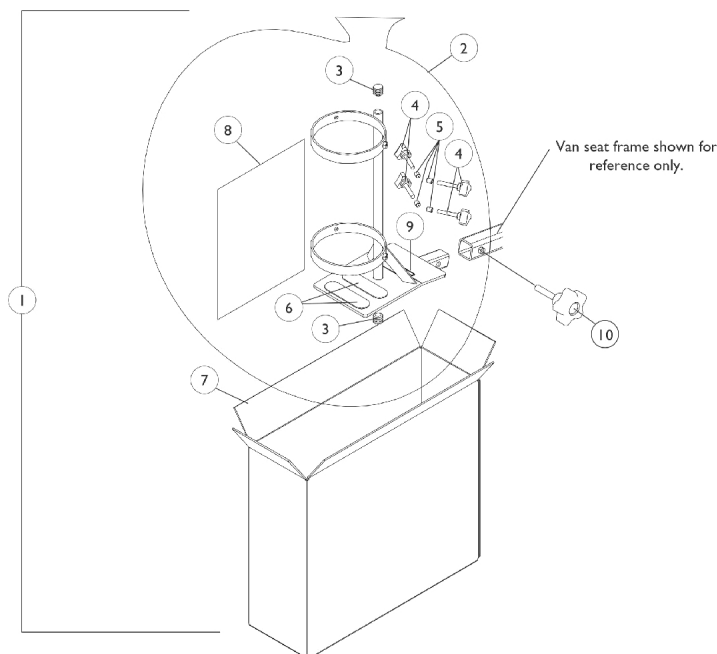
Walker Holder



Item Number	Note	Part Number	Description	Quantity Per	
				Package	Assembly
1		1055662	Plug Button, Square, Black (1-1/8")	1	2
2		1032222	Strap, Black	1	1
3		1076284	Screw w/ Washer (#10 x 7/8")	1	1
4		1072003-NLA	NLA - Pad, Non-Skid Adhesive Back	1	2
5	A	P770	Walker Holder Assembly	1	1
6		1114911-NLA	NLA - Knob, Adjustment, Black (5/16-18 x 1-1/2")	1	1
	B	2000454-NLA	NLA - Bag, Poly (39" L x 33" W)	1	1
	B,C	1098305-NLA	NLA - Instruction Sheet, Walker Holder	1	1
	B	1061434-NLA	NLA - Carton	1	1

NOTE: A - Tighten knob assembly comes standard on-chair for all models.
 B - Not Shown.
 C - Item is no longer available from the Invacare Service Parts Department. Refer to the Invacare Website under "Product Literature Search". Enter the part number in the "Keywords" field and download a free PDF version copy.

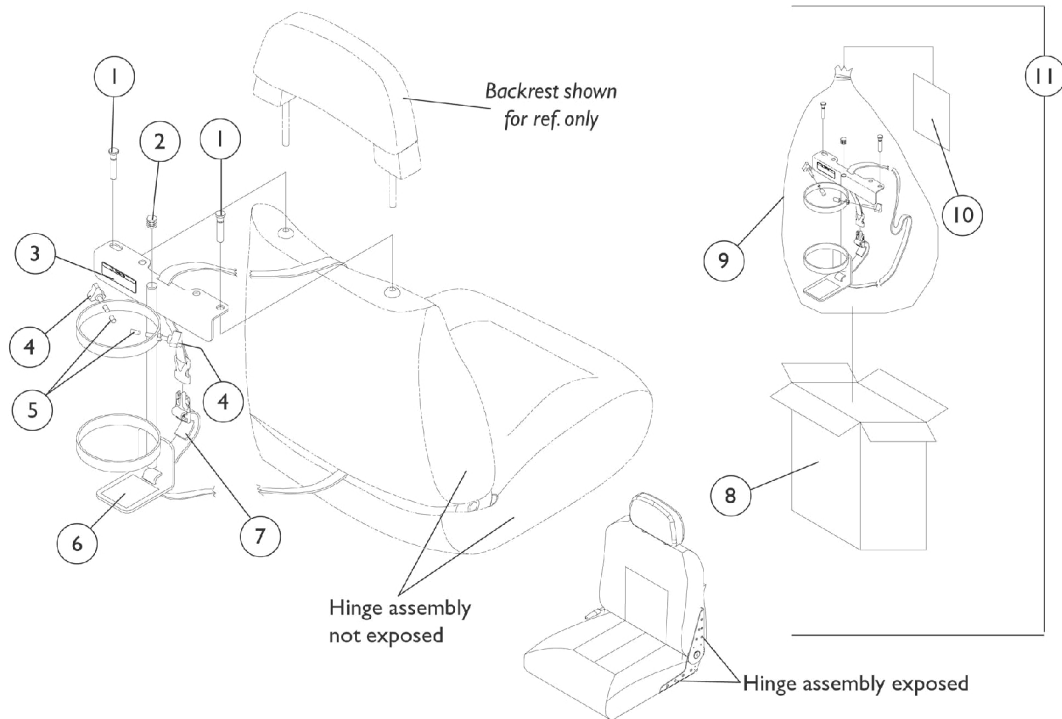
Oxygen Holder Assembly (For Fold Down Medium Back Van Seat)



Item Number	Note	Part Number	Description	Quantity Per	
				Package	Assembly
1	A	1091409	Oxygen Holder Assembly	1	1
2		2000454-NLA	NLA - Bag, Poly (39" L x 33" W)	1	1
3		1035614	Plug Button, Black (5/8")	1	2
4		1027684	Knob, Clamping, Black	1	4
5		1086780-NLA	NLA - Package, Protective Cap	10	4
6		1072004	Pad, Non-Skid Adhesive Back	1	2
7		1091304-NLA	NLA - Carton, Shipper	1	1
8		1091305-NLA	NLA - Instruction Sheet, Oxygen Holder	1	1
9		1080866	Decal, Oxygen Warning - English	1	1
9		1090093-NLA	NLA - Decal, Oxygen Warning - French Canadian	1	1
9		1092793-NLA	NLA - Decal, Oxygen Warning - Domestic Spanish	1	1
10	B	1114911-NLA	NLA - Knob, Adjustment, Black (5/16-18 x 1-1/2")	1	1

NOTE: A - Includes items 2-9.
B - Tighten knob assembly comes standard on-chair for all models.

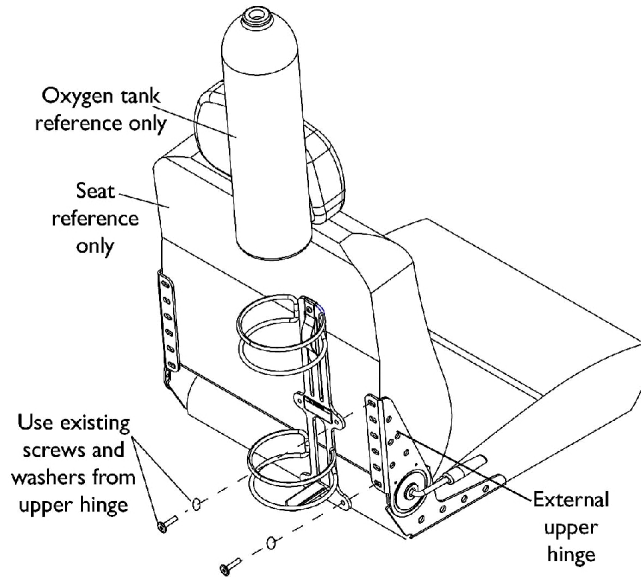
Oxygen Holder Assembly Before 4/15/03 For Semi-Recline Van Seat



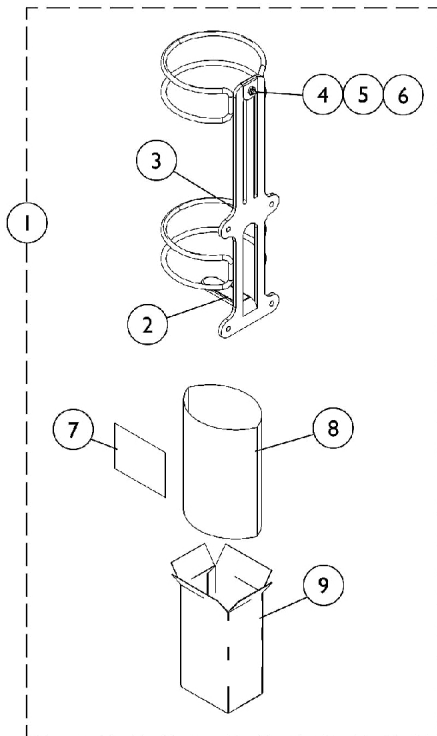
Item Number	Note	Part Number	Description	Quantity Per	
				Package	Assembly
1	A	1080865-NLA	NLA - Pin, Oxygen Holder	1	2
2		1035614	Plug Button, Black (5/8")	1	1
3		1080866	Decal, Oxygen Warning - English	1	1
4		1027684	Knob, Clamping, Black	1	2
5		1086780-NLA	NLA - Package, Protective Cap	10	2
6		1073159-NLA	NLA - Pad, Non-Skid	1	1
7		1080872-NLA	NLA - Strap and Buckle Assembly	1	1
8		1083052-NLA	NLA - Carton, Shipper, Oxygen Holder	1	1
9		2000454-NLA	NLA - Bag, Poly (39" L x 33" W)	1	1
10		1080869-NLA	NLA - Instruction Sheet, Oxygen Holder	1	1
11	B,C	1080870-NLA	NLA - Oxygen Holder Assembly with Instruction Sheet	1	1

NOTE: A - Oxygen holder pins are to be used when backrest is absent.
 B - Includes items 1-10
 C - Due to product improvement, see oxygen holder assemblies dated after 4/14/03 that will accommodate both (exposed and non-exposed) captain seat hinge assemblies. Special orders are no longer needed for exposed hinge assembly models.

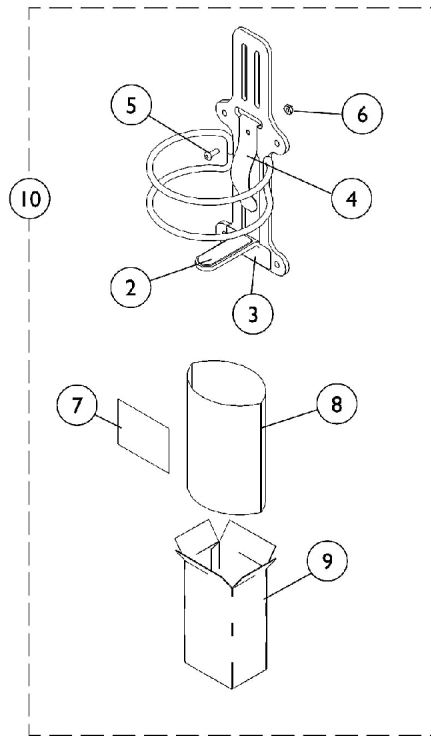
Oxygen Holder Assembly After 4/14/03 For Semi Recline Van Seat



Installing on Seat with External Hinge



O2 Holder D or E size tanks



O2 Holder Home Filled Tank (HFO2-ML6)

Oxygen Holder Assembly After 4/14/03 For Semi Recline Van Seat

Item Number	Note	Part Number	Description	Quantity Per	
				Package	Assembly
1	A	1116956	Oxygen Holder Assembly(D or E Tanks)	1	1
2		1116950-NLA	NLA - Pad, Non-Skid	1	1
3		1080866	Decal, Oxygen Warning - English	1	1
4		1116945	Spring, Oxygen Holder	1	1
5		1072319-NLA	NLA - Screw, Socket Button Head (#10-32 x 1/2")	1	1
6		1025735	Locknut (#10-32)	1	1
7	B	1116957-NLA	NLA - Instruction Sheet, Oxygen Holder	1	1
8		1021866-NLA	NLA - Bag, Poly (26" L x 15" W)	1	1
9		1063960	Carton	1	1
10	A	HFO2-ML6	Oxygen Holder Assembly (Home Filled Tank)	1	1

NOTE: A - Includes Oxygen Holder plus items 2-9. For seats with an EXTERNAL (visible) hinge assembly.
 B - Item is no longer available from the Invacare Service Parts Department. Refer to the Invacare Website under "Product Literature Search". Enter the part number in the "Keywords" field and download a free PDF version copy.

Miscellaneous Accessories

THE PRODUCTION OF THE P725 IS CURRENTLY SUSPENDED. CONTACT CUSTOMER SERVICE FOR ORDERING OPTIONS.

Item Number	Note	Part Number	Description	Quantity Per	
				Package	Assembly
	A,F,I	P725	Kit, Crutch/Cane Holder	1	1
			Holder, Crutch/Cane - P725	1	1
			Cup, Crutch/Cane Holder, Black	1	1
			Strap, Hook and Loop - P725	1	1
			Plug Button, Black (7/8")	1	1
			Screw w/ Washer (#10 x 7/8")	1	2
	F	1035917-NLA	NLA - Heel Loop (Pair)	2	1
	F	1017621	Heel Loop - Right/Left	1	1
	B,C,F	1035907	Kit, Heel Loop Attaching Hardware (Pair)	2	1
	D,E,F	1035931	Kit, Heel Loop Attaching Hardware (Pair)	2	1
	F	1114911-NLA	NLA - Knob, Adjustment, Black (5/16-18 x 1-1/2")	1	1
	F,H	1034622-NLA	NLA - Strap, Positioning, Seat/Chest w/ Auto Style Push Button Buckle (Eyelet to Eyelet Length 69")	1	1
	F,G	1034625	Strap, Positioning, Seat/Chest w/ Auto Style Push Button Buckle (Eyelet to Eyelet Length 61")	1	1
	F	40176X010-NLA	NLA - Pump, Tire	1	1

NOTE: A - Tighten knob assembly part number 1114911 comes standard on-chair for all models
 B - 1650 Aluminum Footplate
 C - Consists of: 2 ea. Screw, Phillips Head (1/4-20 x 2-1/4") 2 ea. Spacer (1/4 x 11/32 x 1-3/4") 2 ea. Locknut (1/4-20)
 D - Consists of: 2 ea. Screw, Phillips Head (1/4-20 x 2-1/4") 2 ea. Spacer (1/4 x 11/32 x 1-3/4") 2 ea. Hex Nut w/ Nylon Cap, and 2 ea. Flat Washer (1/4 x 3/4 x 3/32").
 E - 1651 Composite Footplate
 F - Not Shown
 G - 18" Wide Van Seat
 H - 20" Wide Van Seat
 I - THE PRODUCTION OF THE P725 IS CURRENTLY SUSPENDED. CONTACT CUSTOMER SERVICE FOR ORDERING OPTIONS.

Power Wheelchair Tool Kit

1



Multimeter with Leads



Grounding Wire



1" Test Leads



Protractor/Angle Locator



Invacare Pen Light



Invacare Tape Measure



Invacare Phillips/Flat Head Screwdriver



MKIV Programmer



Virtual Service Charger Cable

Power Wheelchair Tool Kit

Item Number	Note	Part Number	Description	Quantity Per	
				Package	Assembly
1		1125222-NLA	NLA - Kit, Power Wheelchair Tool Includes: 1 ea. Multimeter with Leads 1 ea. Locator, Protractor/Angle Magnetic Base 1 ea. Instructions, MKIV Programmer 1 ea. Wire, Grounding with Hand Strap and Clip 1 ea. Leads, 1" Test 1 ea. Light, Pen with Invacare Logo 1 ea. Tape Measure, Compact with Invacare Logo 1 ea. Screwdriver, Pen-Size Phillips/Flat Head 1 ea. Cable, Virtual Service Charger/Modem	1	1

Warranty Replacement Parts

Part Number	Description	Quantity per Assembly
1106820E-NLA See Note(s) A	WARR RPLMT - Controller, MKIV RII	1
1118923E-NLA See Note(s) B	WARR RPLMT - Charger, Battery w/ Power Cord 3 Amp, On-Board	1
1123249E-NLA See Note(s) A, B	WARR RPLMT - Charger, Battery, 8 Amp. 115vac (Off Board) Single Mode Round Plug w/ AC Power Line Cord, CTE Corp.	1
1127394E-NLA See Note(s) C	WARR RPLMT - Motor and Gearbox Assembly - Right	1
1127395E-NLA See Note(s) C	WARR RPLMT - Motor and Gearbox Assembly - Left	1
1109530E-NLA See Note(s) D	WARR RPLMT - Controller, MK5 NX	1
NOTE: A - See Category "Electronics - MKIV Controller - Programmer & Battery Chargers (Before 6/27/03)" for additional information. B - See Category "Electronics - MK5 NX Controllers - Programmer & Battery Chargers (After 6/26/03)" for additional information. C - See Category "Motor, Gearbox and Drive Wheel" for additional information. D - See Category "Electronics - MK5 NX Controllers - Programmer & Battery Chargers (After 6/26/03)" for additional information.		

Invacare Corporation

www.invacare.com



Yes, you can.

One Invacare Way
Elyria, Oh USA
44036-2125
800-333-6900

Technical Support
800-832-4707
Customer Service
800-333-6900

Customer Service
800-333-6900

© 2022 Invacare Corporation. All rights reserved. Republication, duplication or modification in whole or in part is prohibited without prior written permission from Invacare. Trademarks are identified by TM and ©. All trademarks are owned by or licensed to Invacare Corporation or its subsidiaries unless otherwise noted. (Revised 05/18/22)

Form No. 02-011