

**Power Tilt Only (PTO-PR)
For
Pronto®R2™
Powered Wheelchairs**



Yes, you can.

Parts Catalog Usage Guide

The information contained in this document is subject to change without notice. This catalog contains service parts for Form No. 01-039. If you have any questions regarding this catalog, please contact one of our Customer Service Representatives.

For Customer Service Support Call:

1-800-333-6900

For Faxed In Orders Call:

1-800-678-4682 or

1-440-366-0709

For Technical Service Call:

1-800-832-4707

Literature Can Be Found at:

www.invacare.com or

1-800-828-6272

SYMBOL DEFINITION

Throughout this catalog you will notice letters to draw your attention to specific footnotes which are located at the bottom of the page or below specified charts.

Examples:

A,B,C etc. = Special Comments

NOTE: = General information pertaining to that specific page

NLA = No Longer Available

HARDWARE MEASUREMENTS

The measurements for the hardware will be listed as follows:

Screws, Bolts Diameter X Thread Count/Pitch X Length

Washers Inside Diameter X Outside Diameter X Thickness

Spacers Inside Diameter X Outside Diameter X Length

For your convenience, we have supplied an area for you to list your Invacare Representatives.

Name	Phone Numbers

© 2022 Invacare Corporation. Elyria, Ohio. Invacare, Yes, you can., the Blue Medallion Design, Pronto and Tarsys are registered trademarks and R2 and MKIV are trademarks of Invacare Corporation.

TABLE of CONTENTS

Description	Page Number
Accessories - Headrest Support Assembly - ABS & Metal Curved Backs	68
Accessories - Headrest Support Assembly - Back Cane Only Option	70
Accessories - Lateral Support Assembly	72
Accessories - Power Wheelchair Tool Kit	77
Accessories - Seat Positioning Straps	75
Actuator Motor w/ Mounting Hardware	13
Arms - Adjustable Height - Seat Frames (14"-15" Deep)	44
Arms - Adjustable Height - Seat Frames (16"-22" Deep)	42
Backs - ABS Curved Assembly	26
Backs - Hardware - ABS Curved Mounting	37
Backs - Hardware - Metal Curved Mounting	39
Backs - Metal Curved Assembly	31
Canes - Back w/ Attaching Hardware	23
Electronics - Tilt Recline Single Switch (TRSS)	66
Frame - Base Seat Mounting Extrusions	5
Frame - Hardware - Seat - ASBA (14"-15" Wide)	17
Frame - Hardware - Seat - ASBA (16"-22" Wide)	15
Frame - Rear w/ Mounting Hardware	7
Frame - Seat Support & Mounting Hardware	9
Front Riggings - Adjustable Heel Loops	64
Front Riggings - Articulating Legests - PAS4A/PAL4A	51

TABLE of CONTENTS

Description	Page Number
Front Riggings - Calf Pads & Attaching Hardware	55
Front Riggings - Footrest & Legrest Accessories	62
Front Riggings - Footrest Supports - PW93	57
Front Riggings - Front Rigging Hanger Assembly - Pin Style	48
Front Riggings - Legrest Release Handles & Ratchets	53
Front Riggings - Legrest Supports - P904A	49
Front Riggings - Pivot & Slide Tube w/ STD. (1650), Deluxe (1450) and X-Large (1350) Aluminum Footplates	59
Front Riggings - Reference Chart	46
Packaging - Cartons & Literature	4
Seat - Mounting Hardware - ASBA (14"-15" Wide)	19
Seat - Mounting Hardware - ASBA (16"-22" Wide)	21
Seat Pan w/ Mounting Hardware	40
Tilt Link & Front Support Bracket Hardware	11

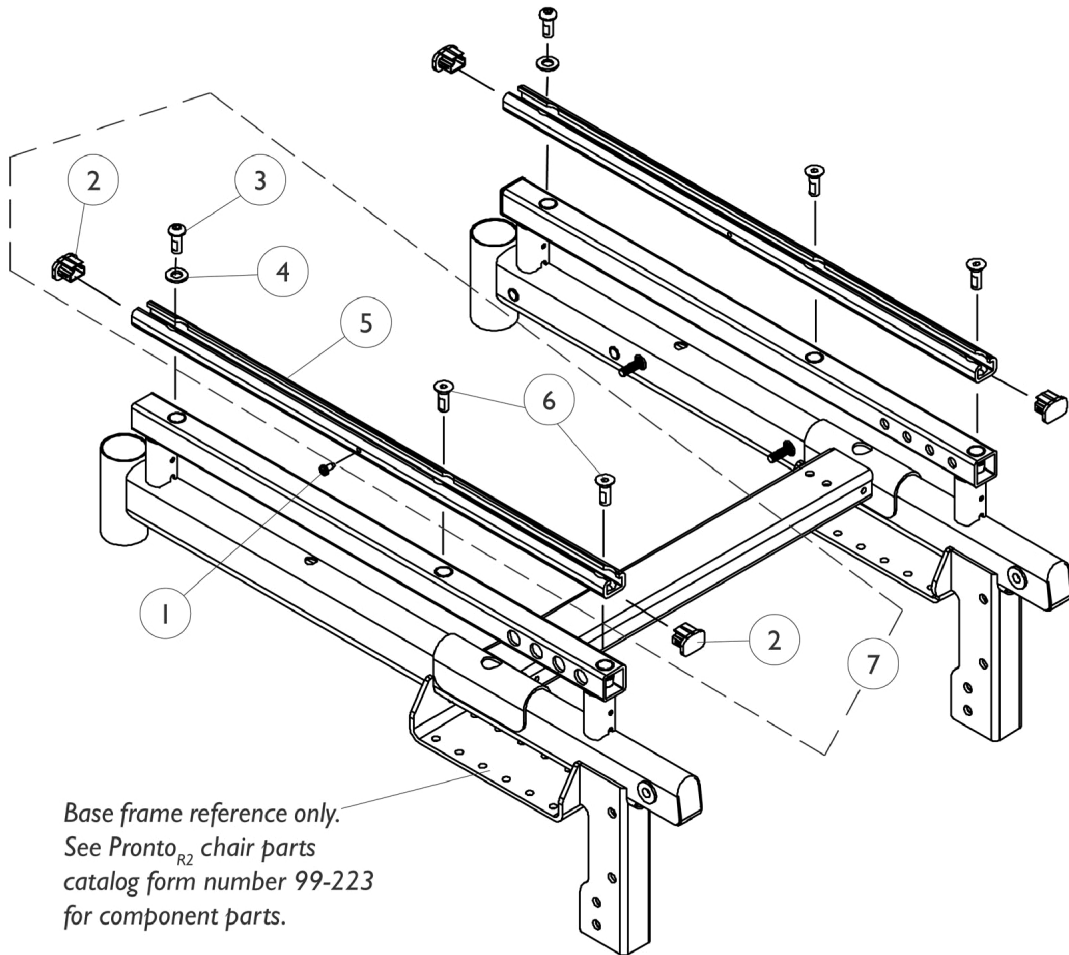
Packaging and Literature

Item Number	Note	Part Number	Description	Quantity Per	
				Package	Assembly
	A,D	See Chart	See Chart	--	--
	A,B	1030364	Carton, Cover	1	1
	A,C	1036028	Carton, Cover	1	1
	A	1015609-NLA	NLA - Bag, Poly (28" W x 44" D x 80" H)	1	1
	A,B	1030362	Carton, Tray	1	1
	A,C	1036027	Carton, Tray	1	1
	A,F	1134791-NLA	NLA - Owner's Manual, 3G Storm with MKIV Electronics	1	1
	A,E	1164348	Mailer, Return, Mercury Free	1	1

NOTE: A - Not Shown
 B - 12" W-20" W Seating System
 C - 21" W-22" W Seating System
 D - Wood Skid is not supplied
 E - For Massachusetts providers only
 F - Item is no longer available from the Invacare Service Parts Department. Refer to the Invacare Website under "Product Literature Search". Enter the part number in the "Keywords" field and download a free PDF version copy.

NOTE: When adjusting or replacing parts, please refer to your Owner's Manual for assistance.

Base Frame Seat Mounting Extrusions

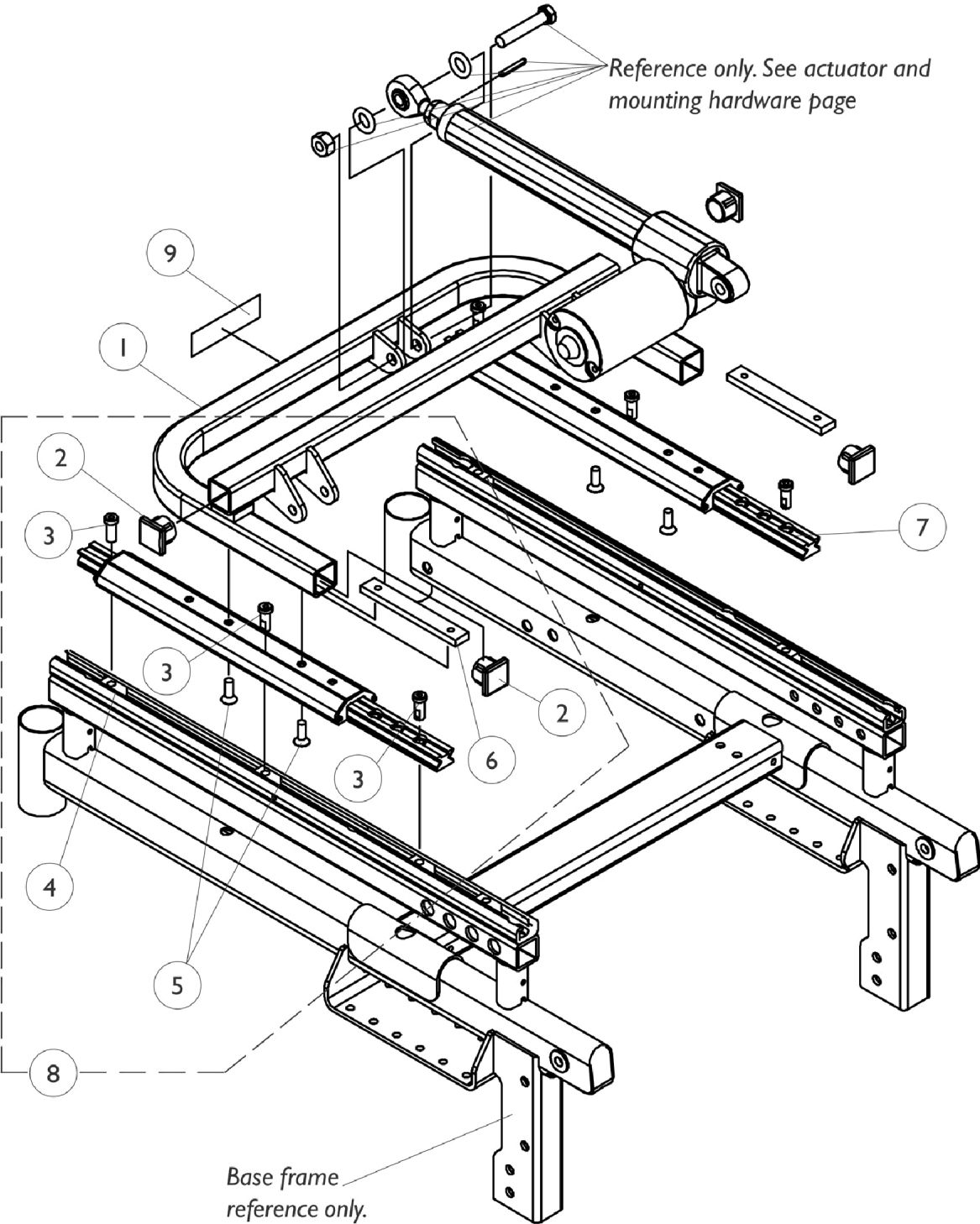


Base Frame Seat Mounting Extrusions

Item Number	Note	Part Number	Description	Quantity Per	
				Package	Assembly
1		1025729	Screw, Phillips Pan Head Tap (#8-32 x 3/8")	1	2
2		1096769-NLA	NLA - Cap, End, Black	1	4
3		1065215	Screw, Socket Button Head w/ Patch (5/16-18 x 3/4")	1	2
4		1025704	Washer, Flat (5/16 x 5/8 x 1/16")	1	2
5		1098872-NLA	NLA - Extrusion, Seat Mounting	1	2
6		1095586-NLA	NLA - Screw, Socket Flat Head w/ Patch (5/16-18 x 7/8")	1	4
7	A	1098302-NLA	NLA - Extrusion, Seat Mounting and Hardware (Pair)	2	1

NOTE: A - Includes items 2-6

Rear Frame w/ Mounting Hardware

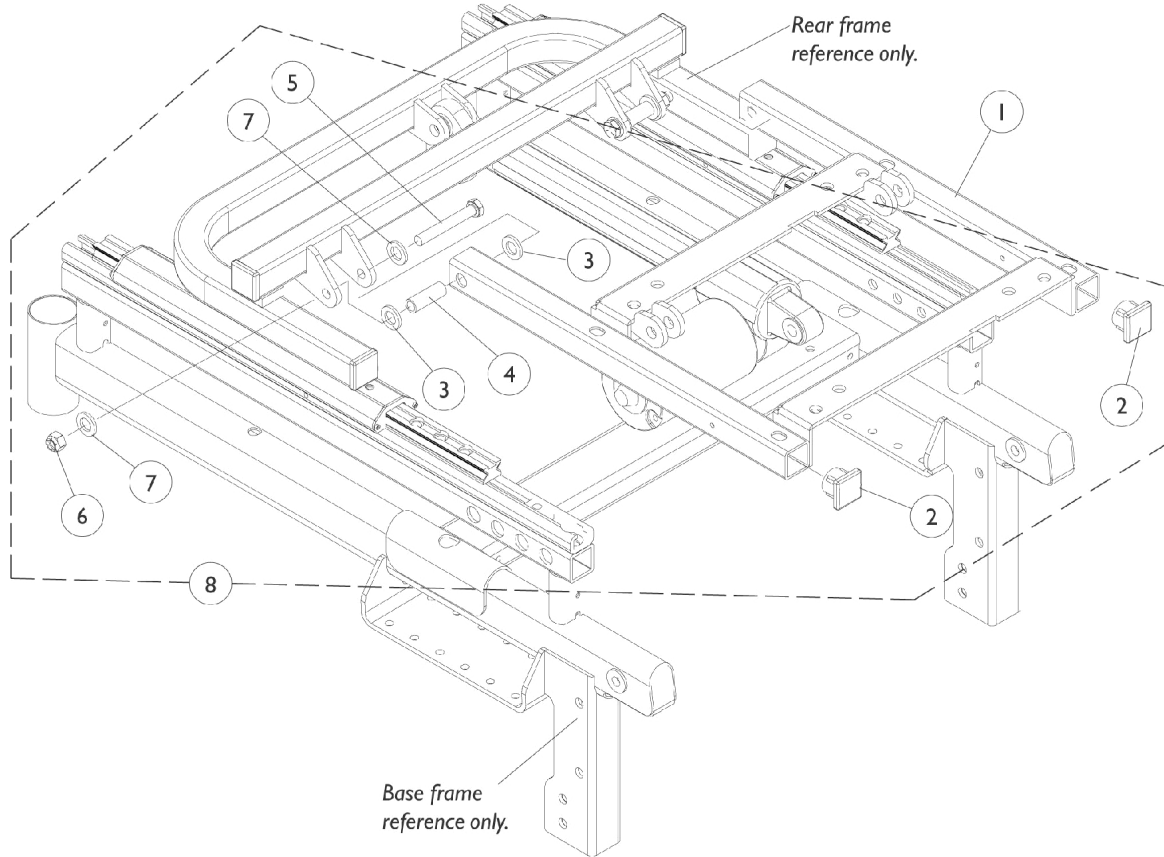


Rear Frame w/ Mounting Hardware

Item Number	Note	Part Number	Description	Quantity Per	
				Package	Assembly
1		1087632-NLA	NLA - Frame Assembly w/o Decal, Black - Rear	1	1
2		1071237	Plug Button, Square, Black (1")	1	4
3		1117326-NLA	NLA - Screw, Socket Head w/ Patch (5/16-18 x 7/8")	1	6
4		1069724	T-Nut (5/16-18)	1	7
5		1091869-NLA	NLA - Screw, Socket Flat Head w/ Patch (1/4-20 x 3/4")	1	4
6		1087652-NLA	NLA - Bar, Clamp, Color	1	2
7		1087732-NLA	NLA - Guide, Linear	1	2
8	A	1106550-NLA	NLA - Hardware, Rear Frame Mounting	1	1
9		1087602-NLA	NLA - Decal, Invacare Power Tilt Only	1	1

NOTE: A - Includes items 2-6; less Linear Guidance

Seat Frame Support & Mounting Hardware

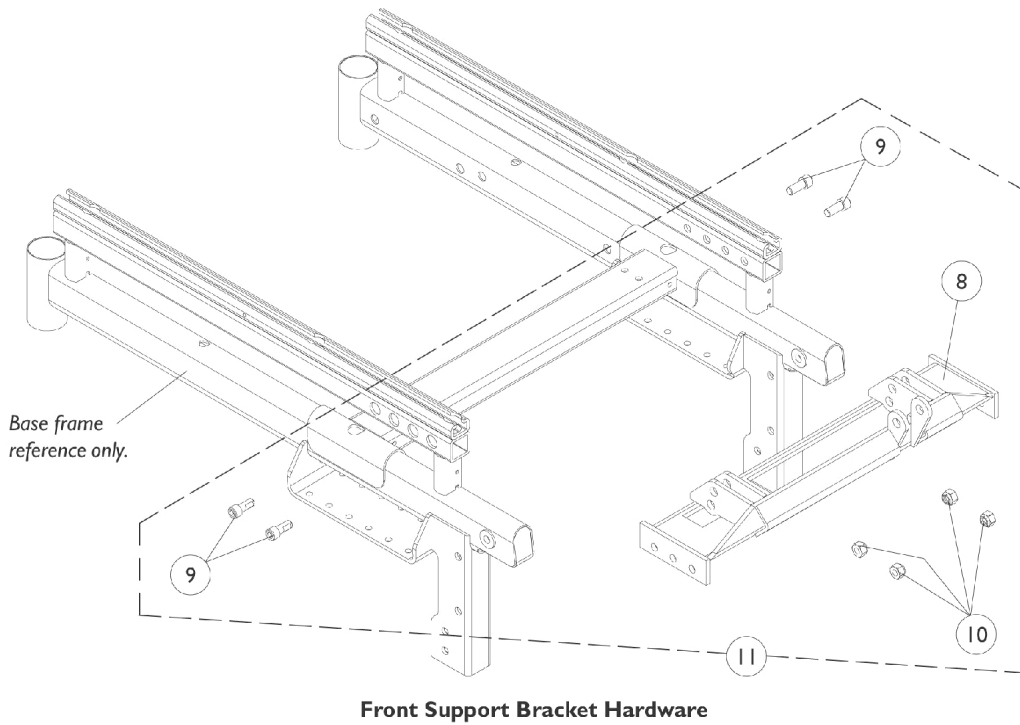
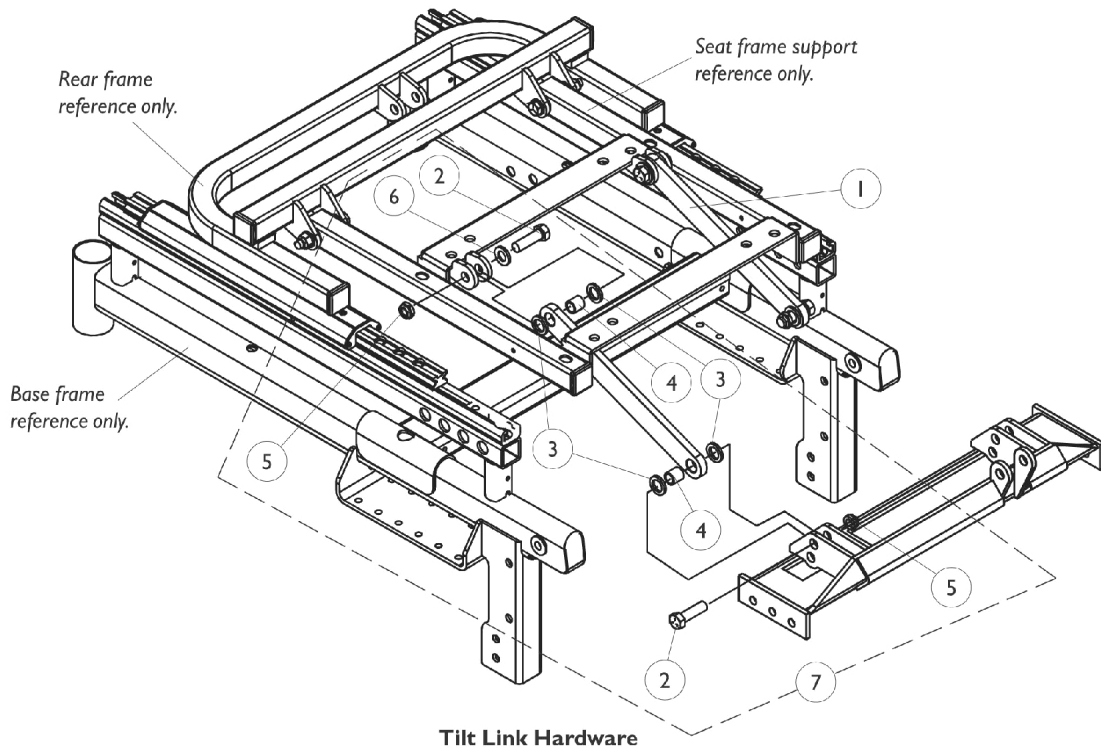


Seat Frame Support & Mounting Hardware

Item Number	Note	Part Number	Description	Quantity Per	
				Package	Assembly
1	B	1087626-NLA	NLA - Support, Seat Frame	1	1
1	C	1121053-NLA	NLA - Support, Seat Frame and Spacer Plate with Hardware	1	1
2		1071237	Plug Button, Square, Black (1")	1	2
3		0055800-NLA	NLA - Washer, Nylon (7/16 x 3/4 x 3/32")	1	4
4		0060300-NLA	NLA - Bushing, Bronze (5/16 x 7/16 x 1-1/4")	1	2
5		1070412-NLA	NLA - Screw, Hex Head (5/16-18 x 2-1/4")	1	2
6		1026158	Locknut (5/16-18)	1	2
7		1025704	Washer, Flat (5/16 x 5/8 x 1/16")	1	4
8	A	1106540-NLA	NLA - Hardware, Seat Frame Support Mounting	1	1

NOTE: A - Includes items 2-7
 B - Seat support frame revised 2/17/03 to accommodate a spacer plate for 14"-15" wide seat frames. For 14"-15" wide PTO models made before 2/17/03 order Item 1 part number 1121053. The revised support frame is still used for all 16"-22" wide PTO models.
 C - Used for 14"-15" wide PTO models made before 2/17/03. Spacer plate and hardware included. Spacer plate can be found on the A.S.B.A. Seat Mounting Hardware page.

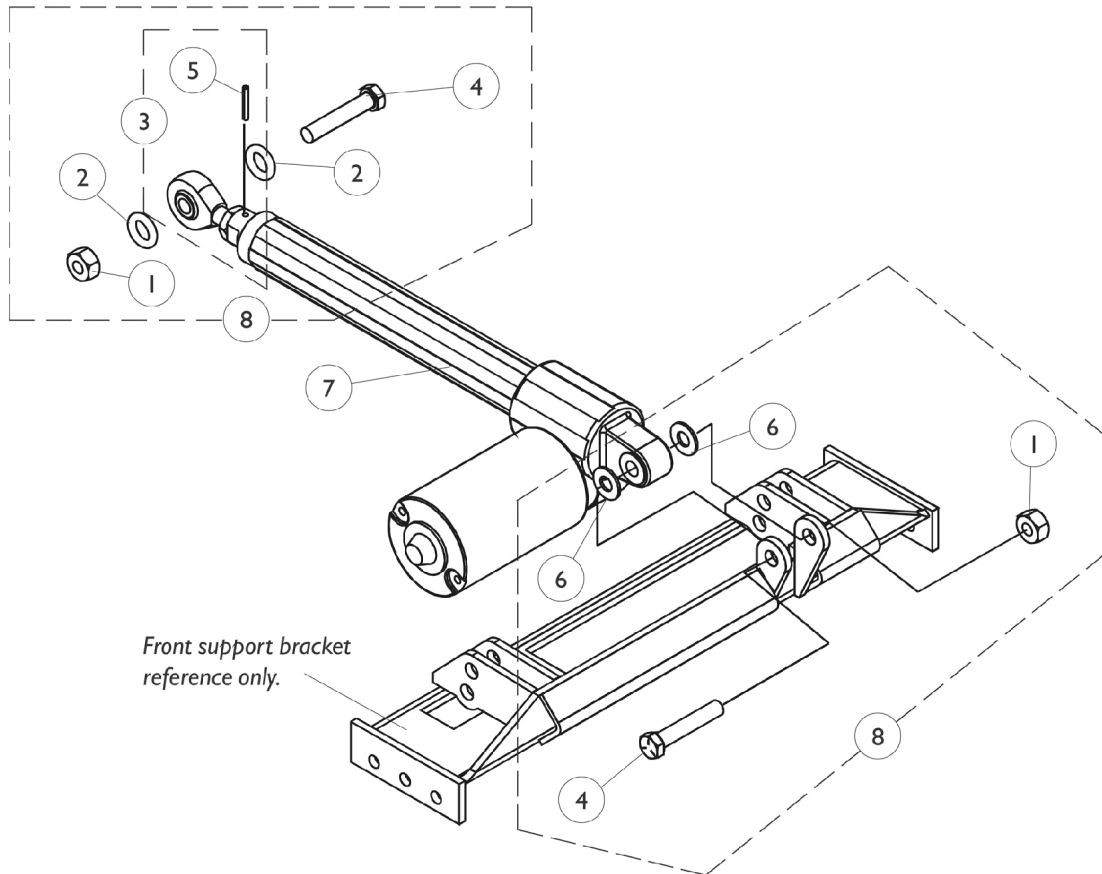
Tilt Link & Front Support Bracket Hardware



Tilt Link & Front Support Bracket Hardware

Item Number	Note	Part Number	Description	Quantity Per	
				Package	Assembly
1		1087634-NLA	NLA - Link, Tilt, Black	1	2
2		1107708-NLA	NLA - Screw, Shoulder Hex Socket Head (3/8 x 3/4", 5/16-18)	1	4
3		0139900	Washer, Nylon (1/2 x 3/4 x 3/32")	1	8
4		1087636-NLA	NLA - Bushing, Bronze (3/8 x 1/2 x 1/2")	1	4
5		1028769	Locknut (5/16-18)	1	4
6		20105X000-NLA	NLA - Washer, Flat (1/4 x 5/8 x 1/16")	1	2
7	A	1106541-NLA	NLA - Hardware, Tilt Link Mounting	1	1
8		1106393-NLA	NLA - Bracket, Support, Front, Black	1	1
9		1086944-NLA	NLA - Screw, Socket Head (5/16-18 x 3/4")	1	4
10		1026158	Locknut (5/16-18)	1	4
11	B	1106551-NLA	NLA - Kit, Front Support Bracket Hardware	1	1
NOTE: A - Includes items 2-6 B - Includes items 8-10					

Actuator Motor w/ Mounting Hardware



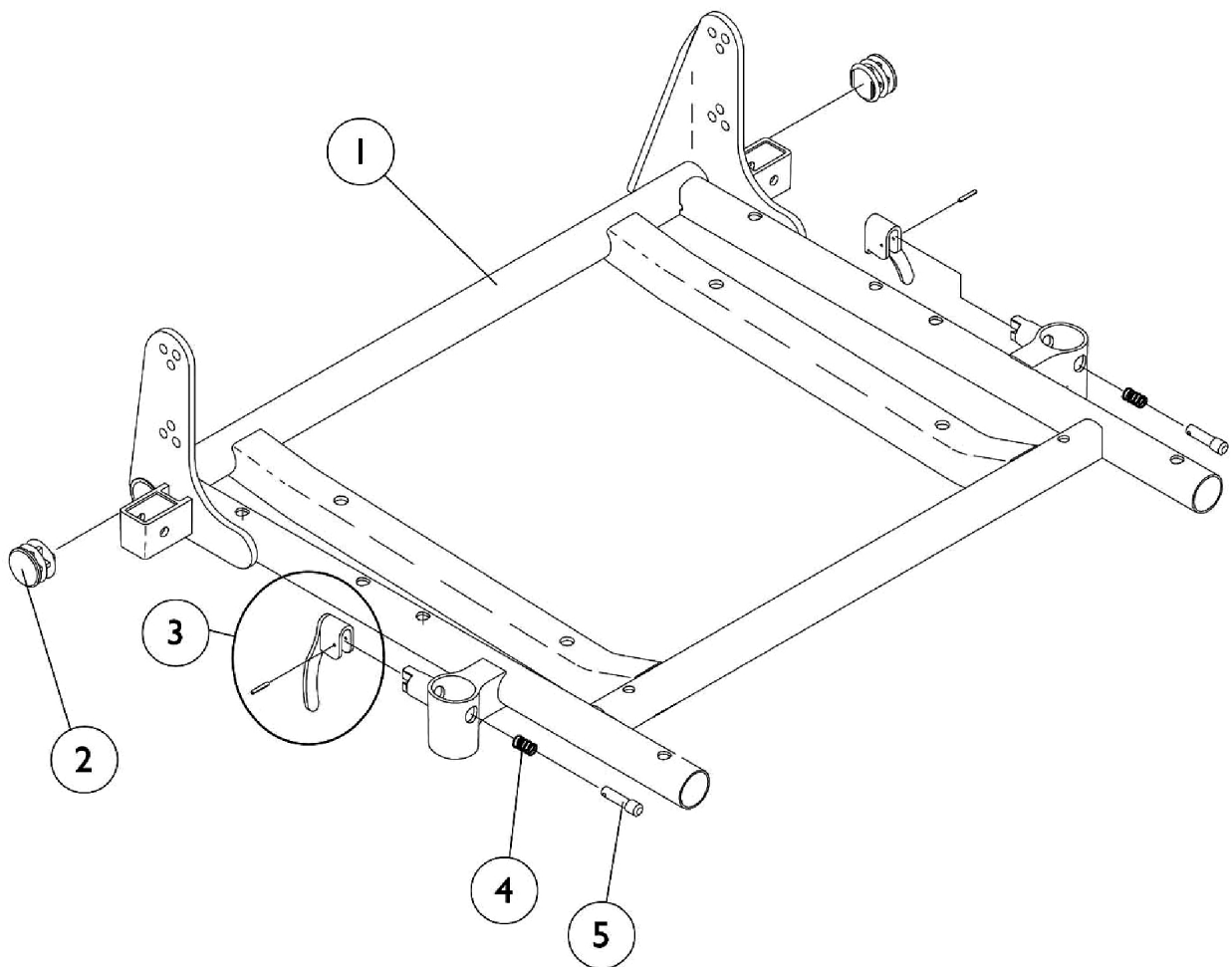
Actuator Motor w/ Mounting Hardware

Item Number	Note	Part Number	Description	Quantity Per	
				Package	Assembly
1		0054106-NLA	NLA - Locknut, High Profile (3/8-16)	1	2
2		0056000-NLA	NLA - O-Ring (1/2 x 7/8 x 3/16")	1	2
3		0313900-NLA	NLA - Rod, End with Locknut and Roll Pin	1	1
4		0054606-NLA	NLA - Screw, Hex Head (3/8-16 x 2")	1	2
5		1028848-NLA	NLA - Pin, Roll (1/8" x 7/8")	1	1
6		0053900-NLA	NLA - Washer, Nylon (3/8 x 13/16 x 1/16")	1	2
7	A	1154068	NLA - Kit, Actuator Motor, 6-1/2" Stroke	1	1
			Actuator Motor Assembly (6-1/2" Stroke)	1	1
			NLA - Pin, Roll (1/8" x 7/8")	1	1
			Instruction Sheet, PTO Actuator Installation	1	1
8	B	1107118-NLA	NLA - Hardware, Actuator Mounting	1	1

NOTE: A - Includes item 3, Actuator Motor & Instruction Sheet
 B - Includes items 1, 2 and 4-6

ASBA Seat Frame and Hardware (16"-22" Wide)

When a PTO kit is configured for the first time, the kit will include all INTERFACING HARDWARE to convert an EXISTING customers ASBA seat assembly into a PTO - Power Tilt Only seating system. If a complete ASBA seat assembly is required, call Invacare's customer service department for assistance and a complete ASBA seat assembly will be configured separately as well.



ASBA Seat Frame and Hardware (16"-22" Wide)

When a PTO kit is configured for the first time, the kit will include all INTERFACING HARDWARE to convert an EXISTING customers ASBA seat assembly into a PTO - Power Tilt Only seating system. If a complete ASBA seat assembly is required, call Invacare's customer service department for assistance and a complete ASBA seat assembly will be configured separately as well.

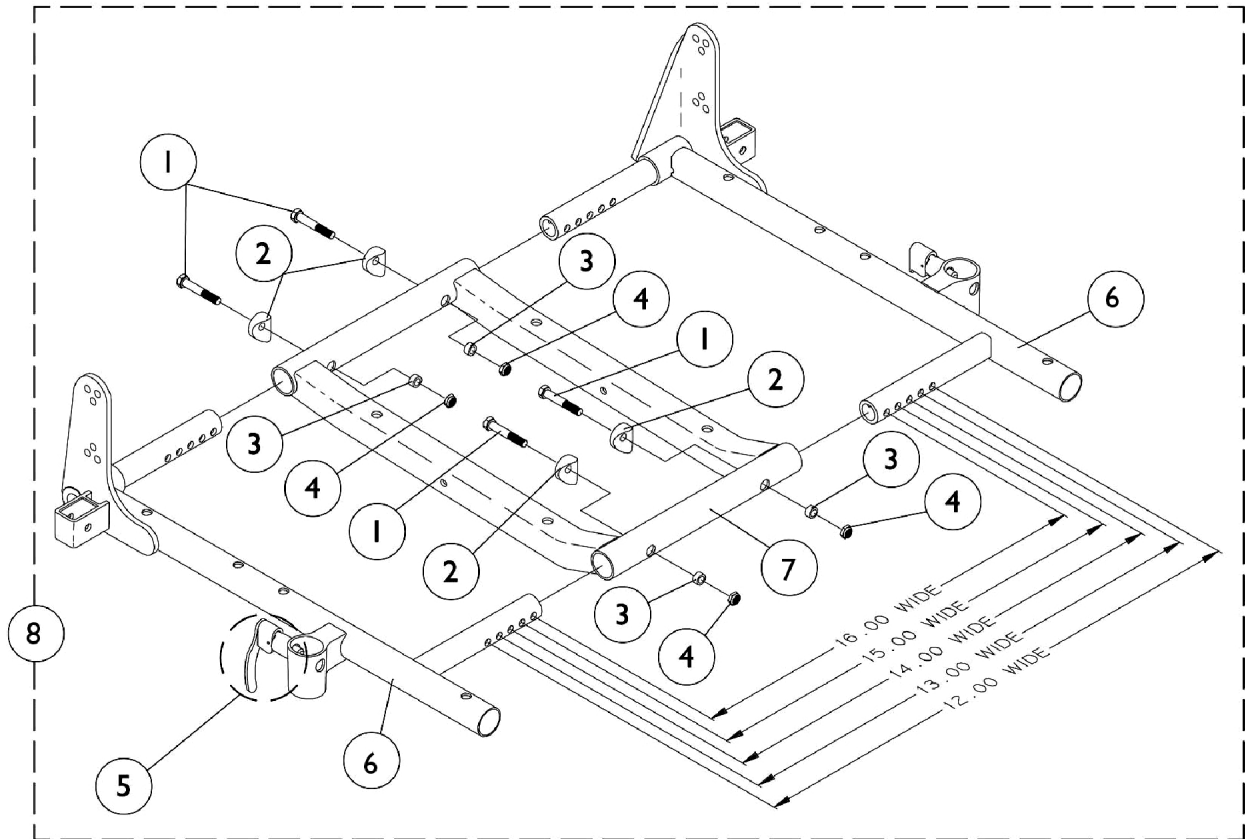
Item Number	Note	Part Number	Description	Quantity Per	
				Package	Assembly
1	A	See Chart	#1 ASBA Seat Frame and Hardware (16"-22" Wide)	1	1
2		1029501	Plug Button, Black (1")	1	2
3		1090768	Kit, Lock Handle w/Rivets (Pair)	2	1
4		47471X074	Spring, Arm Lock	1	2
5		1028594	Pin, Arm Lock, Black	1	2

NOTE: A - Includes seat frame and items 2-5

#1 Seat Frame with Hardware

Seat Width	16" - 17" Deep	18" - 19" Deep	20" - 21" Deep	22" Deep
16" W	1070672-NLA	1070681-NLA	1070690-NLA	1070699-NLA
17" W	1070673-NLA	1070682-NLA	1070691-NLA	1070700-NLA
18" W	1070674-NLA	1070683-NLA	1070692-NLA	1070701-NLA
19" W	1070675-NLA	1070684-NLA	1070693-NLA	1070702-NLA
20" W	1070676-NLA	1070685-NLA	1070694-NLA	1070703-NLA
21" W	1070677-NLA	1070686-NLA	1070695-NLA	1070704-NLA
22" W	1070678-NLA	1070687-NLA	1070696-NLA	1070705-NLA

ASBA Seat Frame and Hardware (14"-15" Wide)



ASBA Seat Frame and Hardware (14"-15" Wide)

Item Number	Note	Part Number	Description	Quantity Per	
				Package	Assembly
1		1037610	Screw, Hex Head (1/4-20 x 1-5/8")	1	4
2		1026099	Spacer, Coved (1/4 x 11/16 x 1/2")	1	4
3		1047449-NLA	NLA - Spacer (1/4 x 3/8 x 3/16")	1	4
4		1025736	Locknut (1/4-20)	1	4
5		47471X074	Spring, Arm Lock	1	1
5		1028594	Pin, Arm Lock, Black	1	1
5		1090768	Kit, Lock Handle w/Rivets (Pair)	2	1
6-8		See Chart	#'s 6-8 ASBA Seat Frame and Hardware (14"-15" Wide)	1	1

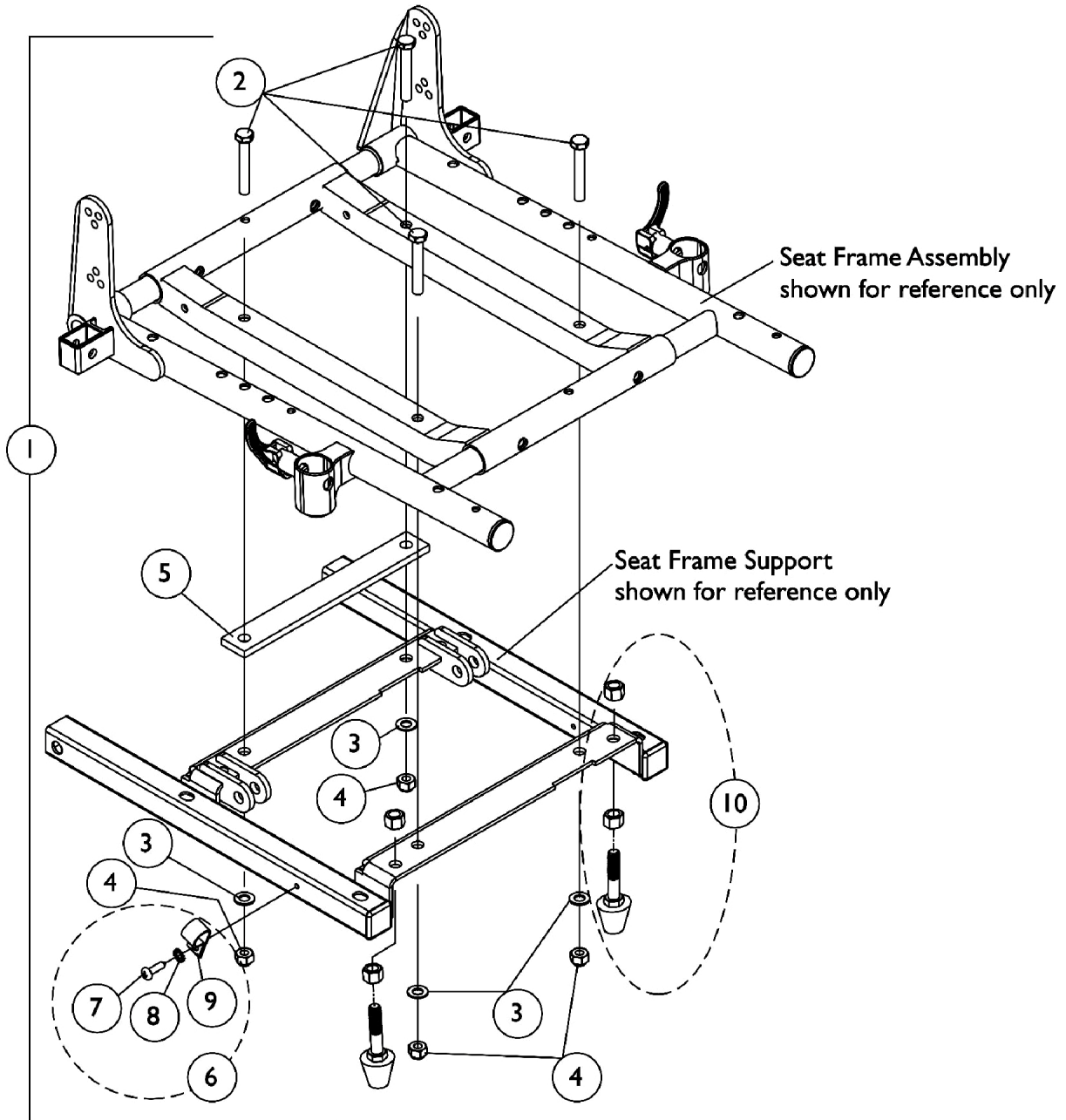
#'s 6-8 Seat Frames

14" - 15" Wide

Item Number	Description	14"-15" Deep	16"-17" Deep	18"-19" Deep	20"-21" Deep	22" Deep
6	Seat Frame, Rt. See Note(s) A	1070473-NLA	1070473-NLA	1070526-NLA	1070528-NLA	1070530-NLA
6	Seat Frame, Lt. See Note(s) A	1070474-NLA	1070474-NLA	1070527-NLA	1070529-NLA	1070531-NLA
7	Seat Frame Center	1070476-NLA	1070476-NLA	1070476-NLA	1070533-NLA	1070533-NLA
8	Seat Frame Assembly See Note(s) B	1070469-NLA	1070469-NLA	1070534-NLA	1070535-NLA	1070536-NLA
NOTE: A - Seat frame includes item 5 arm lock assembly. B - Includes items 1-7						

ASBA Seat Mounting Hardware

14"-15" Wide

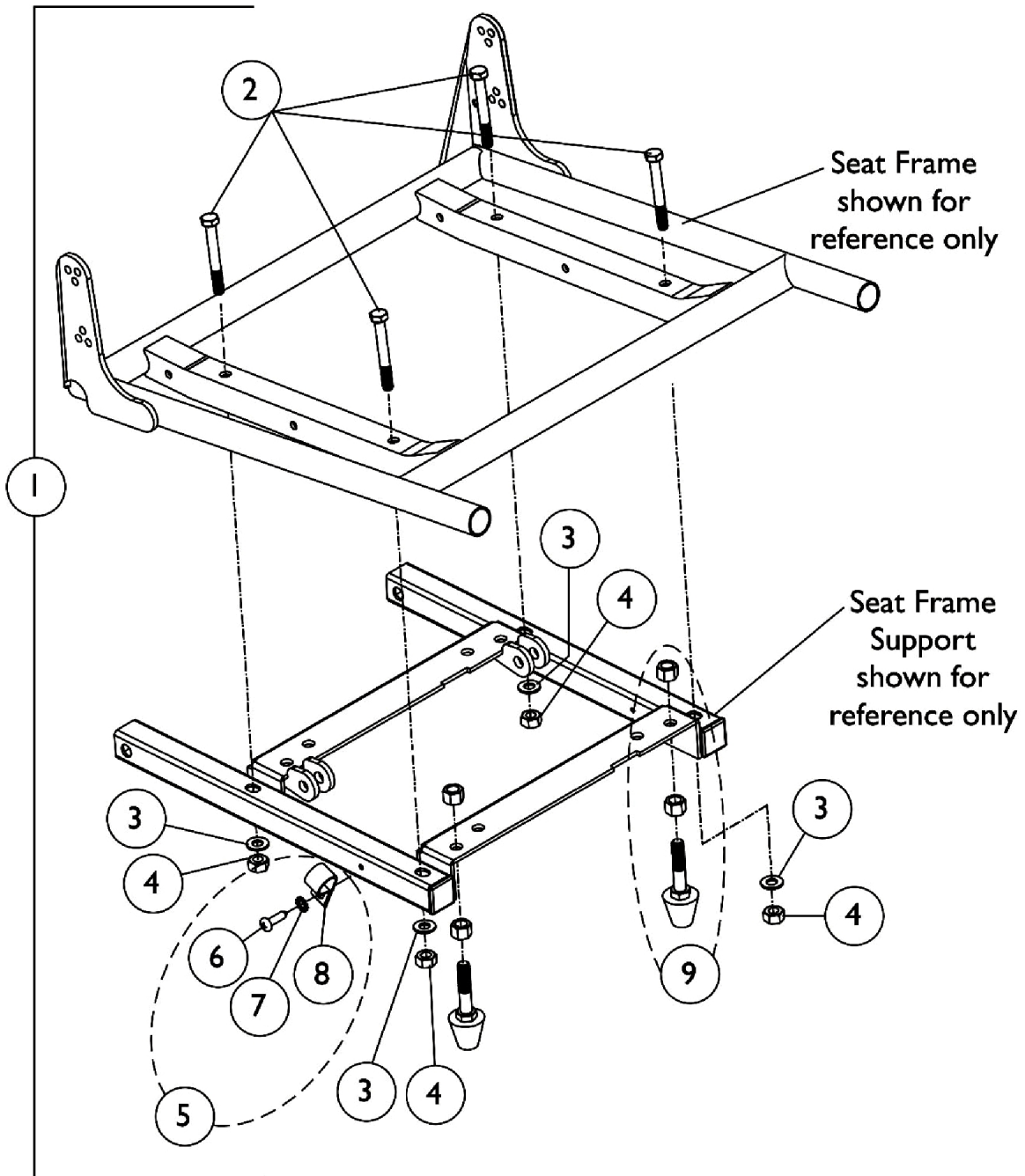


ASBA Seat Mounting Hardware 14"-15" Wide

Item Number	Note	Part Number	Description	Quantity Per	
				Package	Assembly
1	A,D	1121054-NLA	NLA - Kit, 0 Degree 12-15 Wide ASBA Seat Mounting Hardware	1	1
2			NLA - Screw, Hex Head w/ Patch (5/16-18 x 1-3/4")	1	4
3			Washer, Flat (5/16 x 5/8 x 1/16")	1	4
4			Locknut (5/16-18)	1	4
1	B,D	1107308	NLA - Kit, 0 Degree (12-15 Wide ASBA) & (12-16 Wide ADJASBA) Seat Mounting Hardware	1	1
2			NLA - Screw, Hex Head (5/16-18 x 2")	1	4
3			Washer, Flat (5/16 x 5/8 x 1/16")	1	4
4			Locknut (5/16-18)	1	4
5			NLA - Plate, Spacer	1	1
6	C	1106544-NLA	NLA - Kit, Switch Clip with Mounting Hardware	1	1
7			NLA - Bracket, Cable/Wire Mounting, Black	1	1
8			Screw, Phillips Pan Head Tap (#10-16 x 3/4")	1	1
9			Lockwasher, External Tooth (#10)	1	1
10		1111007-NLA	NLA - Bumper with Mounting Hardware (Pair)	2	1
<p>NOTE: A - Hardware Before 2/17/03 and includes items 2-4. A Spacer Plate was added after 2/16/03. When a new Seat Frame Support is needed, Seat Mounting Hardware dated after 2/16/03 must be ordered. B - Hardware After 2/16/03 and includes items 2-5 C - Includes items 7-9 D - PTO on Pronto R2 excluded 12"-13" wide seat widths</p>					

ASBA Seat Mounting Hardware

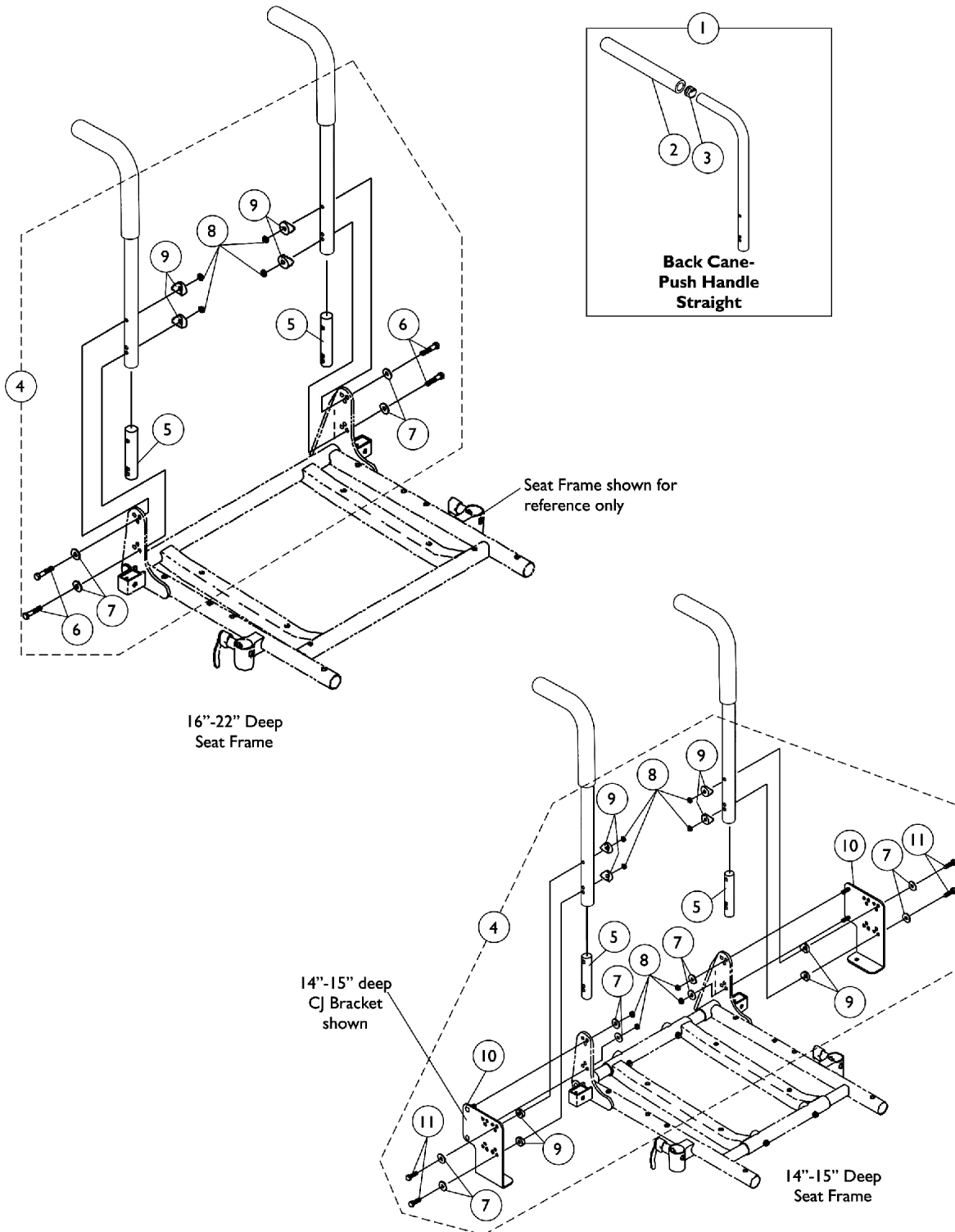
16"-22" Wide



ASBA Seat Mounting Hardware 16"-22" Wide

Item Number	Note	Part Number	Description	Quantity Per	
				Package	Assembly
1	A	1107307-NLA	NLA - Kit, 0 Degree 16-22" Wide ASBA Seat Mounting Hardware	1	1
2			Screw, Hex Head (5/16-18 x 2-3/4")	1	4
3			Washer, Flat (5/16 x 5/8 x 1/16")	1	4
4			Locknut (5/16-18)	1	4
5	B	1106544-NLA	NLA - Kit, Switch Clip with Mounting Hardware	2	1
6			NLA - Bracket, Cable/Wire Mounting, Black	1	1
7			Screw, Phillips Pan Head Tap (#10-16 x 3/4")	1	1
8			Lockwasher, External Tooth (#10)	1	1
9		1111007-NLA	NLA - Bumper with Mounting Hardware (Pair)	2	1
NOTE: A - Includes items 2-4 B - Includes items 6-8					

Back Cane w/ Attaching Hardware



Back Cane w/ Attaching Hardware

Item Number	Note	Part Number	Description	Quantity Per	
				Package	Assembly
1		See Chart	#1 Back Cane and Mounting Hardware	1	2
2		1135506	Package, Foam Hand Grip (9" L)	10	1
3		1130582	Package, Plug Button, Black (7/8")	10	1
4	A	1070500-NLA	Kit, Back Cane Attaching Hardware, For CJ Bracket 14-15" Deep Seat	2	1
5			Insert, Non-Threaded Back Cane (For Back Heights 20" and Lower)	1	2
7			Washer (1/4 x 23/32 x 1/16")	1	8
8			Locknut (1/4-20)	1	8
9			Spacer, Coved (1/4 x 11/16 x 1/2")	1	8
10			NLA - Bracket, Back Mounting, Black - Right	1	1
10			NLA - Bracket, Back Mounting, Black - Left	1	1
11			Screw, Hex Head (1/4-20 x 1-5/8")	1	4
4	B,C,E	1106554-NLA	NLA - Kit, Back Cane Attaching Hardware	2	1
5			Insert, Non-Threaded Back Cane (For Back Heights 20" and Lower)	1	2
6			Screw, Hex Head (1/4-20 x 1-5/8")	1	4
7			Washer (1/4 x 23/32 x 1/16")	1	4
8			Locknut (1/4-20)	1	4
9			Spacer, Coved (1/4 x 11/16 x 1/2")	1	4
4	B,D	1106555-NLA	NLA - Kit, Back Cane Attaching Hardware	2	1
5			NLA - Insert, Non-Threaded Back Cane (For Back Heights 21" and Higher)	1	2
6			Screw, Hex Head (1/4-20 x 1-5/8")	1	4
7			Washer (1/4 x 23/32 x 1/16")	1	4
8			Locknut (1/4-20)	1	4
9			Spacer, Coved (1/4 x 11/16 x 1/2")	1	4

NOTE: A - Includes items 5-11
 B - Includes items 5-9
 C - Used for 12"-20" high back canes
 D - Used for 21"-24" high back canes
 E - Prior to 7/9/04 new back cane attaching hardware must be ordered for 14-15" deep seats that use CJ brackets. The threaded insert was replaced with a non-threaded insert for 12-20" high back canes

Back Cane w/ Attaching Hardware

#1 Back Cane Assemblies

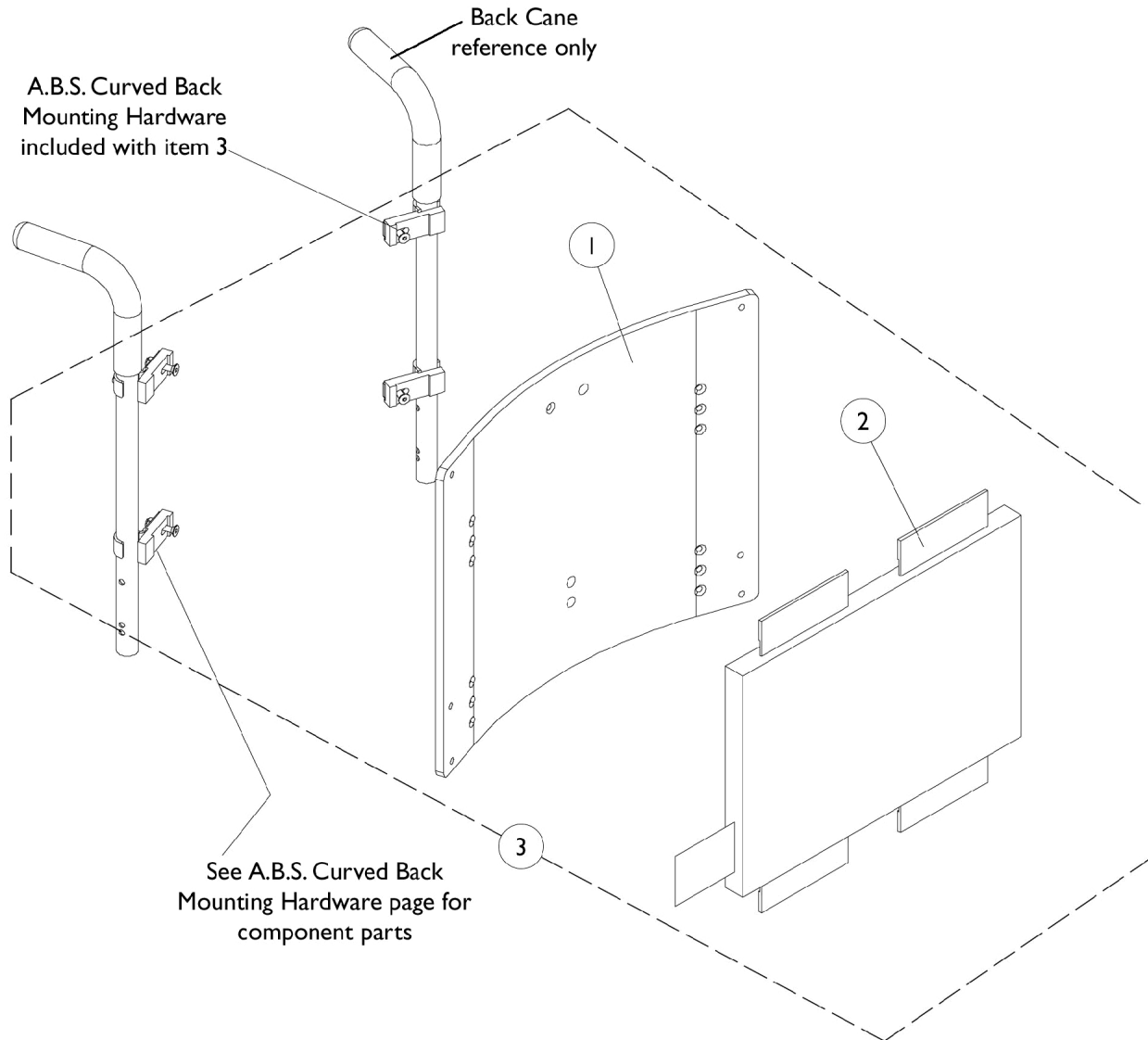
Back Height	Part Number
12"	1045253-NLA
13"	1045254-NLA
14"	1045255-NLA
15"	1045256-NLA
16"	1048558
17"	1048559
18"	1048560
19"	1048561
20"-24"	1048562

NOTE: Back Cane Assemblies include Foam Grips and Plug Buttons where shown

ABS Curved Back Assembly

NOTE: ABS curved back mounts to back canes without a 10 degree bend.

NOTE: As of 8/15/08 the Curved Back material changed from ABS Plastic to Metal as inventory runs out. You must ask the customer if they have an ABS Plastic or the Metal Curved Back model when replacing components. All service replacement Back Assemblies with Hardware shipped will be metal. New Headrest Mounting Hardware is required when replacing an ABS Curved Back with a Metal Curved Back.



ABS Curved Back Assembly

NOTE: ABS curved back mounts to back canes without a 10 degree bend.

NOTE: As of 8/15/08 the Curved Back material changed from ABS Plastic to Metal as inventory runs out. You must ask the customer if they have an ABS Plastic or the Metal Curved Back model when replacing components. All service replacement Back Assemblies with Hardware shipped will be metal. New Headrest Mounting Hardware is required when replacing an ABS Curved Back with a Metal Curved Back.

Item Number	Note	Part Number	Description	Quantity Per	
				Package	Assembly
1		See Chart	#1 Back Pan 16"-18"	1	1
1		See Chart	#1 Back Pan 19"-22"	1	1
2		See Chart	#2 Back Cushion Assembly 16"-18"	1	1
2		See Chart	#2 Back Cushion Assembly 19"-22"	1	1
3		See Chart	#3 Back Assembly with Hardware 16"-18"	1	1
3		See Chart	#3 Back Assembly with Hardware 19"-22"	1	1
	A	1125723	Kit, Hook Fastener w/ Adhesive Back	1	1

NOTE: A - Not Shown. Hook Fastener Adhesive Kit is used to attach the Back Cover to the Back Pan and must be ordered when a new Back Pan or Back Assembly is requested.

#1 Back Pan - 16"-18" Wide

Overall Back Height	Material Back Height	16" Wide	17" Wide	18" Wide
16"	12"	1086021-NLA See Note(s) A	1086022-NLA See Note(s) A	1086023-NLA See Note(s) A
17"	13"	1086028-NLA See Note(s) A	1086029-NLA See Note(s) A	1086030-NLA See Note(s) A
18"	14"	1086035-NLA See Note(s) A	1086036-NLA See Note(s) A	1086037-NLA See Note(s) A
19"	15"	1086042-NLA See Note(s) A	1086043-NLA See Note(s) A	1086044-NLA See Note(s) A
20"	16"	1086049-NLA See Note(s) A	1086050-NLA See Note(s) A	1086051-NLA See Note(s) A
21"	17"	1086056-NLA See Note(s) A	1086057-NLA See Note(s) A	1086058-NLA See Note(s) A
22"	18"	1086063-NLA See Note(s) A	1086064-NLA See Note(s) A	1086065-NLA See Note(s) A
23"	19"	1086070-NLA See Note(s) A	1086071-NLA See Note(s) A	1086072-NLA See Note(s) A
24"	20"	1086077-NLA See Note(s) A	1086078-NLA See Note(s) A	1086079-NLA See Note(s) A

NOTE: A - Part Number is No Longer Available. See Category page titled "Backs - Metal Curved Assembly" and use the item "Back Assembly w/ Hardware" to find replacement part numbers. Match the wheelchair width by the material back height when ordering.

NOTE: Hook Fastener Adhesive Kit must be ordered when a Back Pan or Back Assembly is requested. This will allow the Loop Fastener Adhesive on the Back Cover to attach properly.

ABS Curved Back Assembly

NOTE: ABS curved back mounts to back canes without a 10 degree bend.

NOTE: As of 8/15/08 the Curved Back material changed from ABS Plastic to Metal as inventory runs out. You must ask the customer if they have an ABS Plastic or the Metal Curved Back model when replacing components. All service replacement Back Assemblies with Hardware shipped will be metal. New Headrest Mounting Hardware is required when replacing an ABS Curved Back with a Metal Curved Back.

#1 Back Pan - 19" Wide to 22" Wide

Overall Back Height	Material Back Height	19" Wide	20" Wide	21" Wide	22" Wide
16"	12"	1086024-NLA See Note(s) A	1086025-NLA See Note(s) A	1086026-NLA See Note(s) A	1086027-NLA See Note(s) A
17"	13"	1086031-NLA See Note(s) A	1086032-NLA See Note(s) A	1086033-NLA See Note(s) A	1086034-NLA See Note(s) A
18"	14"	1086038-NLA See Note(s) A	1086039-NLA See Note(s) A	1086040-NLA See Note(s) A	1086041-NLA See Note(s) A
19"	15"	1086045-NLA See Note(s) A	1086046-NLA See Note(s) A	1086047-NLA See Note(s) A	1086048-NLA See Note(s) A
20"	16"	1086052-NLA See Note(s) A	1086053-NLA See Note(s) A	1086054-NLA See Note(s) A	1086055-NLA See Note(s) A
21"	17"	1086059-NLA See Note(s) A	1086060-NLA See Note(s) A	1086061-NLA See Note(s) A	1086062-NLA See Note(s) A
22"	18"	1086066-NLA See Note(s) A	1086067-NLA See Note(s) A	1086068-NLA See Note(s) A	1086069-NLA See Note(s) A
23"	19"	1086073-NLA See Note(s) A	1086074-NLA See Note(s) A	1086075-NLA See Note(s) A	1086076-NLA See Note(s) A
24"	20"	1086080-NLA See Note(s) A	1086081-NLA See Note(s) A	1086082-NLA See Note(s) A	1086083-NLA See Note(s) A

NOTE: A - Part Number is No Longer Available. See Category page titled "Backs - Metal Curved Assembly" and use the item "Back Assembly w/ Hardware" to find replacement part numbers. Match the wheelchair width by the material back height when ordering.

NOTE: Hook Fastener Adhesive Kit must be ordered when a Back Pan or Back Assembly is requested. This will allow the Loop Fastener Adhesive on the Back Cover to attach properly.

ABS Curved Back Assembly

NOTE: ABS curved back mounts to back canes without a 10 degree bend.

NOTE: As of 8/15/08 the Curved Back material changed from ABS Plastic to Metal as inventory runs out. You must ask the customer if they have an ABS Plastic or the Metal Curved Back model when replacing components. All service replacement Back Assemblies with Hardware shipped will be metal. New Headrest Mounting Hardware is required when replacing an ABS Curved Back with a Metal Curved Back.

#2 Back Cushion Assembly - 16" Wide to 18" Wide

Overall Back Height	Material Back Height	16" Wide	17" Wide	18" Wide
16"	12"	1097375-NLA	1097376-NLA	1097377
17"	13"	1097382-NLA	1097383-NLA	1097384-NLA
18"	14"	1097389	1097390-NLA	1097391
19"	15"	1097396	1097397	1097398
20"	16"	1097403	1097404	1097405
21"	17"	1097410	1097411	1097412
22"	18"	1097417	1097418	1097419
23"	19"	1097424	1097425	1097426
24"	20"	1097431	1097432	1097433

NOTE: Back cover and foam are sold as a back cushion assembly only.

#2 Back Cushion Assembly - 19" Wide to 22" Wide

Overall Back Height	Material Back Height	19" Wide	20" Wide	21" Wide	22" Wide
16"	12"	1097378-NLA	1097379-NLA	1097380-NLA	1097381-NLA
17"	13"	1097385-NLA	1097386-NLA	1097387-NLA	1097388-NLA
18"	14"	1097392	1097393	1097394-NLA	1097395-NLA
19"	15"	1097399	1097400	1097401	1097402
20"	16"	1097406	1097407	1097408	1097409
21"	17"	1097413	1097414	1097415	1097416
22"	18"	1097420	1097421	1097422	1097423
23"	19"	1097427	1097428	1097429	1097430
24"	20"	1097434	1097435	1097436	1097437

NOTE: Back cover and foam are sold as a back cushion assembly only.

ABS Curved Back Assembly

NOTE: ABS curved back mounts to back canes without a 10 degree bend.

NOTE: As of 8/15/08 the Curved Back material changed from ABS Plastic to Metal as inventory runs out. You must ask the customer if they have an ABS Plastic or the Metal Curved Back model when replacing components. All service replacement Back Assemblies with Hardware shipped will be metal. New Headrest Mounting Hardware is required when replacing an ABS Curved Back with a Metal Curved Back.

#3 Back Assembly with Hardware - 16" Wide to 18" Wide

Overall Back Height	Material Back Height ABS Plastic Curved	Material Back Height Metal Curved	16" Wide	17" Wide	18" Wide
16"	12"	11"	1106973-NLA	1106983	1106993
17"	13"	12"	1106974	1106984	1106994
18"	14"	13"	1106975	1106985	1106995
19"	15"	14"	1106976	1106986	1106996
20"	16"	15"	1106977	1106987	1106997
21"	17"	16"	1106978	1106988	1106998
22"	18"	17"	1106979	1106989	1106999
23"	19"	18"	1106980	1106990	1107000
24"	20"	19"	1106981	1106991	1107001

NOTE: Hook Fastener Adhesive Kit must be ordered when a Back Pan or Back Assembly is requested. This will allow the Loop Fastener Adhesive on the Back Cover to attach properly.

#3 Back Assembly with Hardware - 19" Wide to 22" Wide

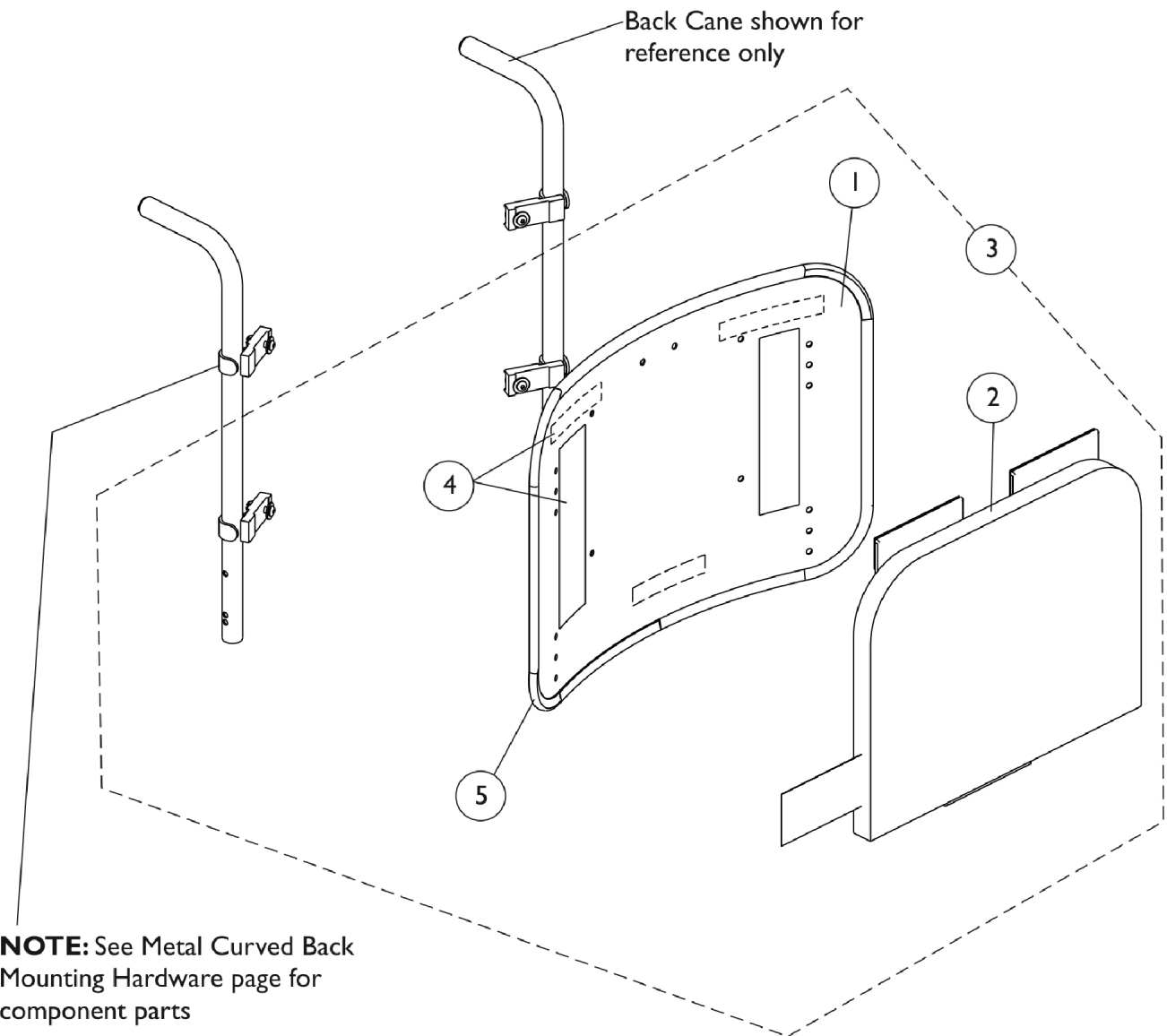
Overall Back Height	Material Back Height ABS Plastic Curved	Material Back Height Metal Curved	19" Wide	20" Wide	21" Wide	22" Wide
16"	12"	11"	1107003	1107013	1107023	1107033
17"	13"	12"	1107004	1107014	1107024	1107034
18"	14"	13"	1107005	1107015	1107025	1107035
19"	15"	14"	1107006	1107016	1107026	1107036
20"	16"	15"	1107007	1107017	1107027	1107042-NLA
21"	17"	16"	1107008	1107018	1107028	1107043
22"	18"	17"	1107009	1107019	1107029	1107044
23"	19"	18"	1107010	1107020	1107030	1107045
24"	20"	19"	1107011	1107021	1107031	1107046

NOTE: Hook Fastener Adhesive Kit must be ordered when a Back Pan or Back Assembly is requested. This will allow the Loop Fastener Adhesive on the Back Cover to attach properly.

Metal Curved Back Assembly

NOTE: Curved Back mounts only to back canes without a 10 degree bend.

NOTE: As of 8/15/08 the Curved Back material changed from ABS Plastic to Metal as inventory runs out. You must ask the customer if they have an ABS Plastic or the Metal Curved Back model when replacing components. All service replacement Back Assemblies with Hardware (Item 3) shipped will be Metal. New Headrest Mounting Hardware is required when replacing an ABS Curved Back with a Metal Curved Back.



Metal Curved Back Assembly

NOTE: Curved Back mounts only to back canes without a 10 degree bend.

NOTE: As of 8/15/08 the Curved Back material changed from ABS Plastic to Metal as inventory runs out. You must ask the customer if they have an ABS Plastic or the Metal Curved Back model when replacing components. All service replacement Back Assemblies with Hardware (Item 3) shipped will be Metal. New Headrest Mounting Hardware is required when replacing an ABS Curved Back with a Metal Curved Back.

Item Number	Note	Part Number	Description	Quantity Per	
				Package	Assembly
1		See Chart	#1 Back Pan w/ Vinyl Edge Trim 16"-18" Wide	1	1
1		See Chart	#1 Back Pan w/ Vinyl Edge Trim 19"-22" Wide	1	1
2		See Chart	#2 Back Cushion Assembly 16"-18" Wide	1	1
2		See Chart	#2 Back Cushion Assembly 19"-22" Wide	1	1
3		See Chart	#3 Back Assembly with Hardware 16"-18" Wide	1	1
3		See Chart	#3 Back Assembly with Hardware 19"-22" Wide	1	1
4	A	1125723	Kit, Hook Fastener w/ Adhesive Back	1	1
5		1125724-NLA	NLA - Trim, Edge, Cut-To-Length, Vinyl Black (96" L)	1	1

NOTE: A - Hook Fastener Adhesive Kit is used to attach the Back Cover to the Back Pan and must be ordered when a new Back Pan or Back Assembly is requested.

Item 3 Includes Mounting Hardware

#1 Back Pan w/ Vinyl Edge Trim - 16"-18" Wide

Overall Back Height	Material Back Height	16" Wide	17" Wide	18" Wide
16"	11"	1157826	1157837	1157848
17"	12"	1157827	1157838	1157849
18"	13"	1157828	1157839	1157850
19"	14"	1157829	1157840	1157851
20"	15"	1157830	1157841	1157852
21"	16"	1157831	1157842	1157853
22"	17"	1157832	1157843	1157854
23"	18"	1157833	1157844	1157855
24"	19"	1157834	1157845	1157856

NOTE: Hook Fastener Adhesive Kit must be ordered when a Back Pan or Back Assembly is requested. This will allow the Loop Fastener Adhesive on the Back Cover to attach properly.

Metal Curved Back Assembly

NOTE: Curved Back mounts only to back canes without a 10 degree bend.

NOTE: As of 8/15/08 the Curved Back material changed from ABS Plastic to Metal as inventory runs out. You must ask the customer if they have an ABS Plastic or the Metal Curved Back model when replacing components. All service replacement Back Assemblies with Hardware (Item 3) shipped will be Metal. New Headrest Mounting Hardware is required when replacing an ABS Curved Back with a Metal Curved Back.

#1 Back Pan w/ Vinyl Edge Trim - 19"-22" Wide

Overall Back Height	Material Back Height	19" Wide	20" Wide	21" Wide	22" Wide
16"	11"	1157859	1157870	1157881	1157892
17"	12"	1157860	1157871	1157882	1157893
18"	13"	1157861	1157872	1157883	1157894
19"	14"	1157862	1157873	1157884	1157895
20"	15"	1157863	1157874	1157885	1157896
21"	16"	1157864	1157875	1157886	1157897
22"	17"	1157865	1157876	1157887	1157898
23"	18"	1157866	1157877	1157888	1157899
24"	19"	1157867	1157878	1157889	1157900

NOTE: Hook Fastener Adhesive Kit must be ordered when a Back Pan or Back Assembly is requested. This will allow the Loop Fastener Adhesive on the Back Cover to attach properly.

Metal Curved Back Assembly

NOTE: Curved Back mounts only to back canes without a 10 degree bend.

NOTE: As of 8/15/08 the Curved Back material changed from ABS Plastic to Metal as inventory runs out. You must ask the customer if they have an ABS Plastic or the Metal Curved Back model when replacing components. All service replacement Back Assemblies with Hardware (Item 3) shipped will be Metal. New Headrest Mounting Hardware is required when replacing an ABS Curved Back with a Metal Curved Back.

#2 Back Cushion Assembly - 16"-18" Wide

Overall Back Height	Material Back Height	16" Wide	17" Wide	18" Wide
16"	12-1/2"	1160207	1160218	1160229
17"	13-1/2"	1160208	1160219	1160230
18"	14-1/2"	1160209	1160220	1160231
19"	15-1/2"	1160210	1160221	1160232
20"	16-1/2"	1160211	1160222	1160233
21"	17-1/2"	1160212	1160223	1160234
22"	18-1/2"	1160213	1160224	1160235
23"	19-1/2"	1160214	1160225	1160236
24"	20-1/2"	1160215	1160226	1160237

NOTE: Back cover and foam are sold as a Back Cushion Assembly only.

#2 Back Cushion Assembly - 19"-22" Wide

Overall Back Height	Material Back Height	19" Wide	20" Wide	21" Wide	22" Wide
16"	12-1/2"	1097378-NLA	1097379-NLA	1097380-NLA	1097381-NLA
17"	13-1/2"	1097385-NLA	1097386-NLA	1097387-NLA	1097388-NLA
18"	14-1/2"	1097392	1097393	1097394-NLA	1097395-NLA
19"	15-1/2"	1097399	1097400	1097401	1097402
20"	16-1/2"	1097406	1097407	1097408	1097409
21"	17-1/2"	1097413	1097414	1097415	1097416
22"	18-1/2"	1097420	1097421	1097422	1097423
23"	19-1/2"	1097427	1097428	1097429	1097430
24"	20-1/2"	1097434	1097435	1097436	1097437

NOTE: Back cover and foam are sold as a Back Cushion Assembly only.

Metal Curved Back Assembly

NOTE: Curved Back mounts only to back canes without a 10 degree bend.

NOTE: As of 8/15/08 the Curved Back material changed from ABS Plastic to Metal as inventory runs out. You must ask the customer if they have an ABS Plastic or the Metal Curved Back model when replacing components. All service replacement Back Assemblies with Hardware (Item 3) shipped will be Metal. New Headrest Mounting Hardware is required when replacing an ABS Curved Back with a Metal Curved Back.

#3 Back Assembly with Hardware - 16" -18" Wide

Overall Back Height	Material Back Height ABS Plastic Curved	Material Back Height Metal Curved	16" Wide	17" Wide	18" Wide
16"	12"	11"	1106973-NLA	1106983	1106993
17"	13"	12"	1106974	1106984	1106994
18"	14"	13"	1106975	1106985	1106995
19"	15"	14"	1106976	1106986	1106996
20"	16"	15"	1106977	1106987	1106997
21"	17"	16"	1106978	1106988	1106998
22"	18"	17"	1106979	1106989	1106999
23"	19"	18"	1106980	1106990	1107000
24"	20"	19"	1106981	1106991	1107001

NOTE: Hook Fastener Adhesive Kit must be ordered when a Back Pan or Back Assembly is requested. This will allow the Loop Fastener Adhesive on the Back Cover to attach properly.

NOTE: When ordering Metal Curved Back assemblies to replace ABS Back Pans, match the wheelchair width by the material back height to determine the correct part number to order.

Metal Curved Back Assembly

NOTE: Curved Back mounts only to back canes without a 10 degree bend.

NOTE: As of 8/15/08 the Curved Back material changed from ABS Plastic to Metal as inventory runs out. You must ask the customer if they have an ABS Plastic or the Metal Curved Back model when replacing components. All service replacement Back Assemblies with Hardware (Item 3) shipped will be Metal. New Headrest Mounting Hardware is required when replacing an ABS Curved Back with a Metal Curved Back.

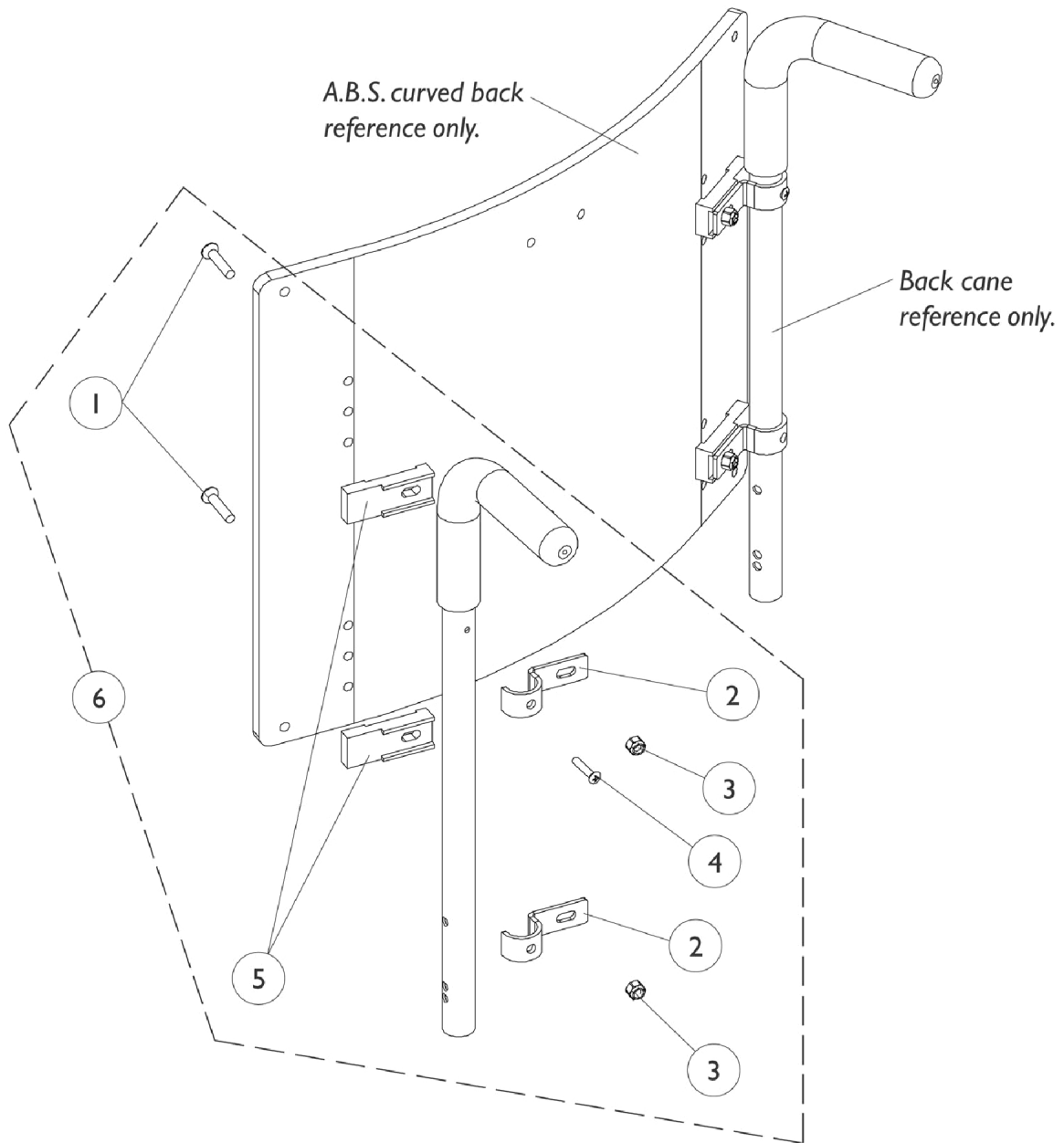
#3 Back Assembly with Hardware - 19"-22" Wide

Overall Back Height	Material Back Height ABS Plastic Curved	Material Back Height Metal Curved	19" Wide	20" Wide	21" Wide	22" Wide
16"	12"	11"	1107003	1107013	1107023	1107033
17"	13"	12"	1107004	1107014	1107024	1107034
18"	14"	13"	1107005	1107015	1107025	1107035
19"	15"	14"	1107006	1107016	1107026	1107036
20"	16"	15"	1107007	1107017	1107027	1107042-NLA
21"	17"	16"	1107008	1107018	1107028	1107043
22"	18"	17"	1107009	1107019	1107029	1107044
23"	19"	18"	1107010	1107020	1107030	1107045
24"	20"	19"	1107011	1107021	1107031	1107046

NOTE: Hook Fastener Adhesive Kit must be ordered when a Back Pan or Back Assembly is requested. This will allow the Loop Fastener Adhesive on the Back Cover to attach properly.

NOTE: When ordering Metal Curved Back assemblies to replace ABS Back Pans, match the wheelchair width by the material back height to determine the correct part number to order.

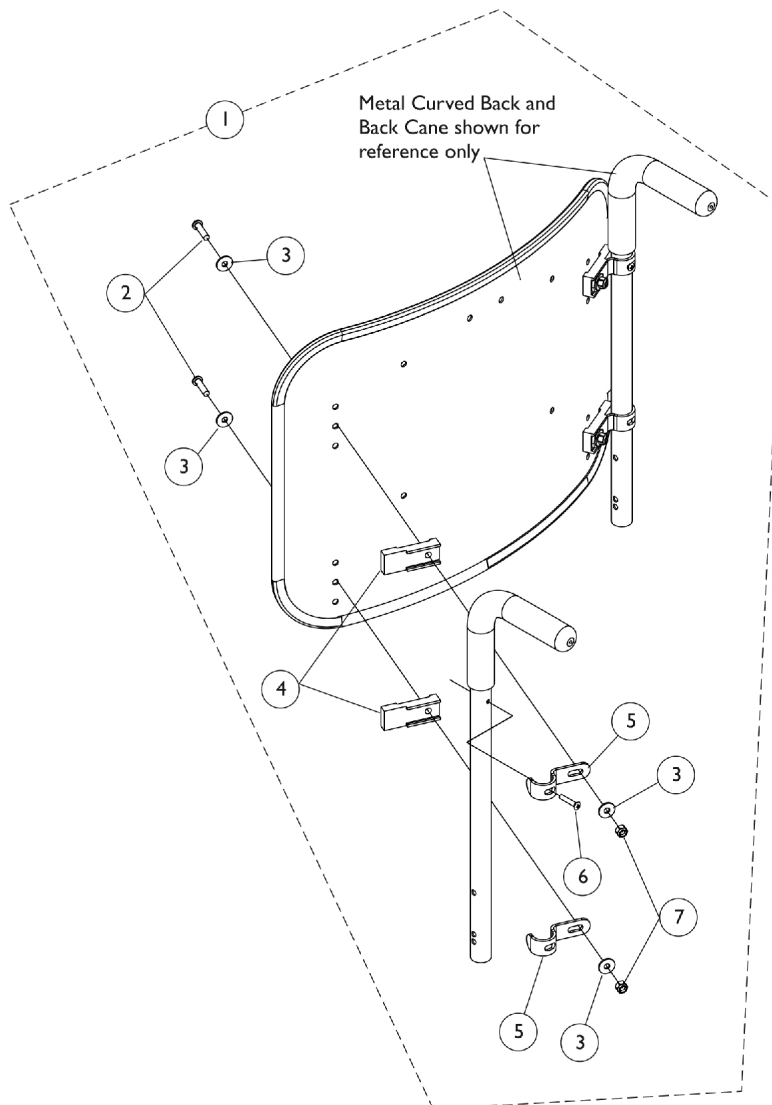
ABS Curved Back Mounting Hardware



ABS Curved Back Mounting Hardware

Item Number	Note	Part Number	Description	Quantity Per	
				Package	Assembly
6	A	1106395-NLA	NLA - Kit, ABS Curved Back Mounting Hardware	1	1
1			NLA - Screw, Socket Flat Head (1/4-20 x 1-1/4")	1	4
2			Hook, Back Assembly Mounting	1	4
3			Locknut (1/4-20)	1	4
4			NLA - Screw, Phillips Oval Head (#10-16 x 7/8")	1	2
5			NLA - Spacer, Back Pan, Black	1	4
NOTE: A - Includes items 1-5					

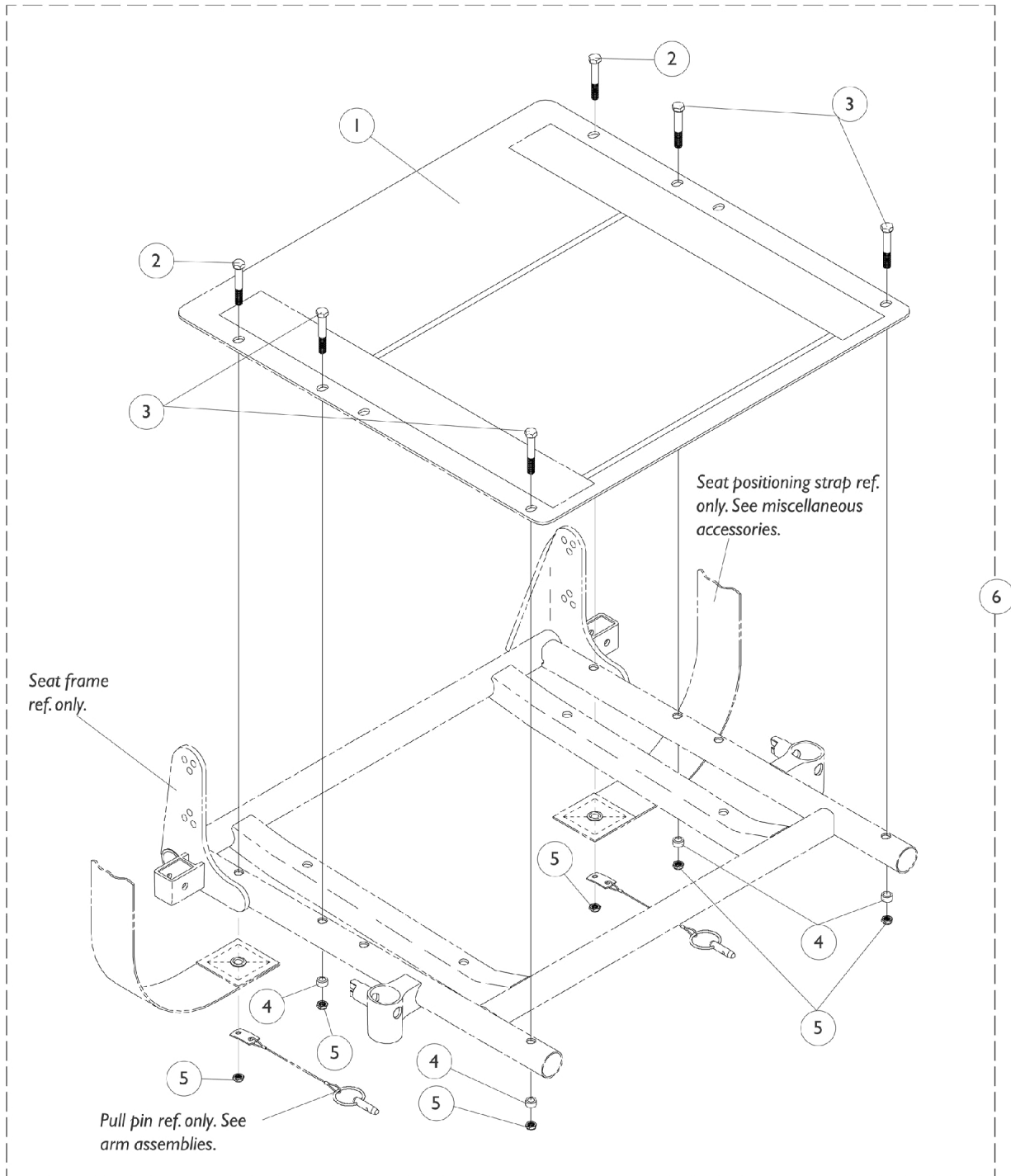
Metal Curved (16-22" Wide) Back Mounting Hardware



Item Number	Note	Part Number	Description	Quantity Per	
				Package	Assembly
1	A	1157925	Kit, Metal Curved and Curve Contoura Back Mounting Hardware	1	1
2			Spacer, Back Pan, Black	1	4
3			Hook, Back Assembly Mounting	1	4
4			Screw, Socket Button Head (1/4-20 x 1")	1	4
5			Washer (1/4 x 23/32 x 1/16")	1	8
6			NLA - Screw, Phillips Oval Head (#10-16 x 7/8")	1	2
7			Locknut (1/4-20)	1	4

NOTE: A - Includes items 2-7

Seat Pan w/ Mounting Hardware



Seat Pan w/ Mounting Hardware

Item Number	Note	Part Number	Description	Quantity Per	
				Package	Assembly
1		See Chart	# 1 Seat Pan - 14" D to 18" D	1	1
1		See Chart	# 1 Seat Pan - 19" D to 22" D	1	1
6	A	1070459-NLA	NLA - Kit, Seat Pan Mounting Hardware	1	1
2			Screw, Hex Head (1/4-20 x 1-5/8")	1	2
3			Screw, Hex Head (1/4-20 x 1-1/2")	1	4
4			NLA - Spacer (1/4 x 3/8 x 3/16")	1	4
5			Locknut (1/4-20)	1	6

NOTE: A - Includes items 2-5

1 Seat Pan - 14" Deep to 18" Deep

Seat Width	14"-15" Deep	16" Deep	17" Deep	18" Deep
14" W	1066022-NLA	1066011-NLA	1066022-NLA	1066033-NLA
15" W	1066023-NLA	1066012-NLA	1066023-NLA	1066034-NLA
16" W	1066024	1066013-NLA	1066024	1066035-NLA
17" W	N/A	1066014-NLA	1066025-NLA	1066036-NLA
18" W	N/A	1066015-NLA	1066026	1066037-NLA
19" W	N/A	1066016-NLA	1066027-NLA	1066038-NLA
20" W	N/A	1066017-NLA	1066028-NLA	1066039-NLA
21" W	N/A	1066018-NLA	1066029-NLA	1066040-NLA
22" W	N/A	1066019-NLA	1066030-NLA	1066041-NLA

NOTE: 12-15" seat depths are achieved by using CJ back cane mounting hardware.

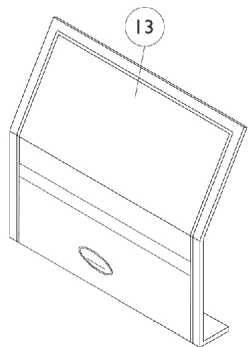
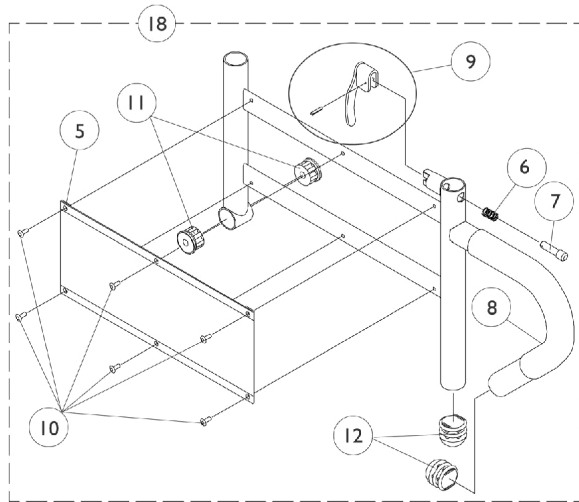
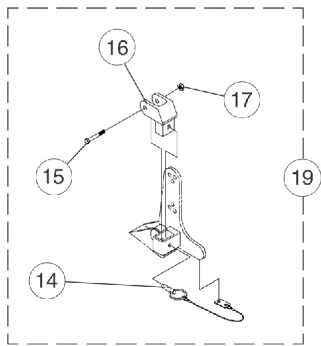
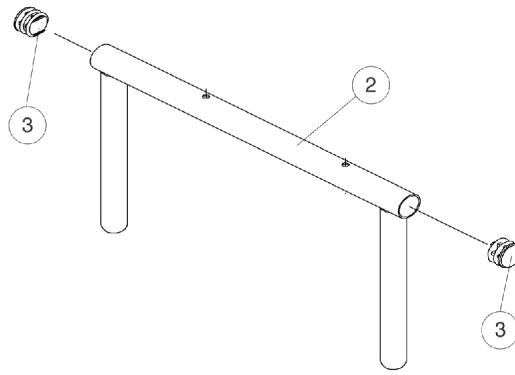
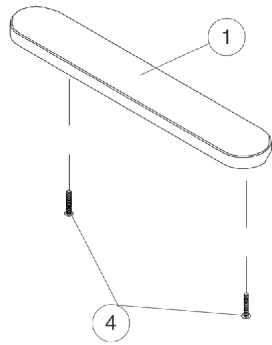
1 Seat Pan - 19" Deep to 22" Deep

Seat Width	19" Deep	20" Deep	21" Deep	22" Deep
14" W	1066044-NLA	1066055-NLA	1066066-NLA	1066077-NLA
15" W	1066045-NLA	1066056-NLA	1066067-NLA	1066078-NLA
16" W	1066046-NLA	1066057-NLA	1066068-NLA	1066079-NLA
17" W	1066047-NLA	1066058-NLA	1066069-NLA	1066080-NLA
18" W	1066048-NLA	1066059-NLA	1066070-NLA	1066081-NLA
19" W	1066049-NLA	1066060	1066071-NLA	1066082-NLA
20" W	1066050-NLA	1066061-NLA	1066072-NLA	1066083-NLA
21" W	1066051-NLA	1066062-NLA	1066073-NLA	1066084-NLA
22" W	1066052-NLA	1066063-NLA	1066074-NLA	1066085-NLA

NOTE: 12-15" seat depths are achieved by using CJ back cane mounting hardware.

Arms, Adjustable Height

16"-22" Deep Seat Frames

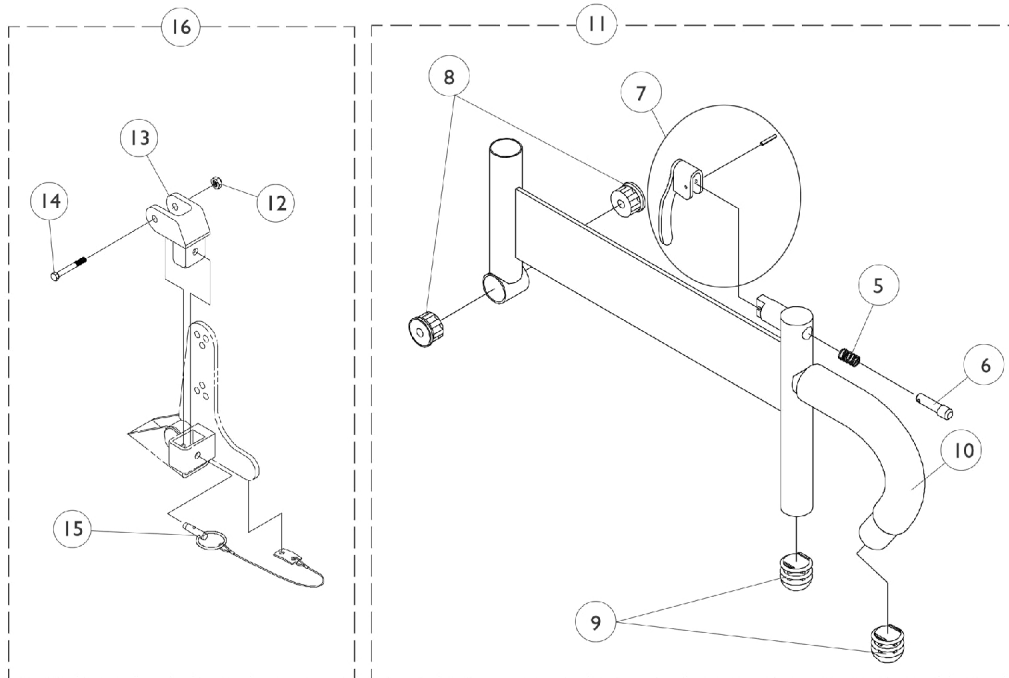
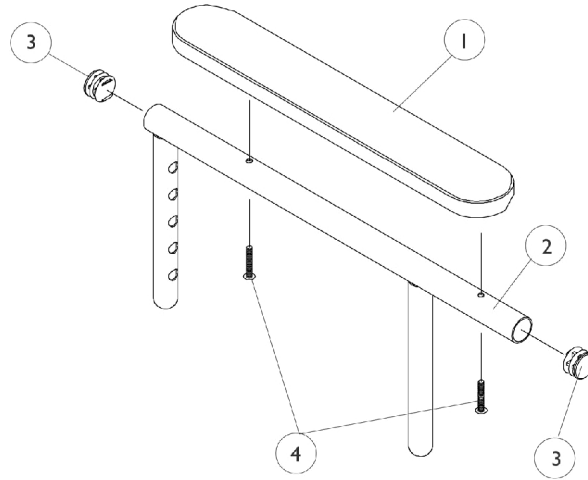


Arms, Adjustable Height 16"-22" Deep Seat Frames

Item Number	Note	Part Number	Description	Quantity Per	
				Package	Assembly
1	A	8881015932-NL A	NLA - Pad, Arm, Vinyl, Full Length - Right (14" L x 2" W)	1	1
1	A	8881015933-NL A	NLA - Pad, Arm, Vinyl, Full Length - Left (14" L x 2" W)	1	1
1	A	8881011811-NL A	NLA - Pad, Arm, Vinyl, Desk Length (9" L x 2" W)	1	1
2		1071253	Arm Tube Assembly w/ Plug Buttons, Full Length, Black - Right/Left	1	1
2		1070859	Arm Tube Assembly w/ Plug Buttons, Desk Length, Black - Right/Left	1	1
3		1027095	Plug Button, Black (7/8")	1	2
4		1055949	Package, Screw, Phillips Pan Head (#10-32 x 1-3/8")	2	1
5		1064130-NLA	NLA - Guard, Clothing	1	1
6		47471X074	Spring, Arm Lock	1	1
7		1028594	Pin, Arm Lock, Black	1	1
8		1032244	Grip, Foam Hand (9" L)	1	1
9		1090768	Kit, Lock Handle w/Rivets (Pair)	2	1
10		1028645	Rivet	1	6
11		1065936	Plug, Pivot	1	2
12		1067734	Plug Button, Black (5/8")	1	2
13		1035065	Cover, Clothing Guard w/ Pocket, FXDESK & ADJFULL/ADJDESK	1	1
14		1068039	Pin, Pull	1	1
15		1019590	Screw, Socket Button Head (1/4-20 x 1-5/8")	1	1
16		1068025	Clevis, Pivot	1	1
17		7930323-NLA	NLA - Package, Locknut (1/4-20)	25	1
18	C	1068416	Arm Base Assembly, Black - Right (16-19" D)	1	1
18	C	1068417	Arm Base Assembly, Black - Left (16-19" D)	1	1
18	D	1068418	Arm Base Assembly, Black - Right (20" and Deeper)	1	1
18	D	1068419	Arm Base Assembly, Black - Left (20" and Deeper)	1	1
19	B	1068488	Kit, Swingaway Armrest Mounting Hardware	1	1

NOTE: A - Specify U67 black upholstery color when ordering.
B - Includes items 14-17
C - 16-19" Deep
D - 20-22" Deep

Arms, Adjustable Height 14"-15" Deep Seat Frames



Arms, Adjustable Height 14"-15" Deep Seat Frames

Item Number	Note	Part Number	Description	Quantity Per	
				Package	Assembly
1	A	8881015932-NL A	NLA - Pad, Arm, Vinyl, Full Length - Right (14" L x 2" W)	1	1
1	A	8881015933-NL A	NLA - Pad, Arm, Vinyl, Full Length - Left (14" L x 2" W)	1	1
1	A	8881053577	Kit, Arm Pad w/ Screws, Full Length (14" L x 2" W) (Pair)	2	1
1	A	8881011811-NL A	NLA - Pad, Arm, Vinyl, Desk Length (9" L x 2" W)	1	1
1	A	8881053578	Kit, Arm Pad w/ Screws, Desk Length (9" L x 2" W) (Pair)	2	1
2		1071263	Arm Tube Assembly w/ Plug Buttons, Full Length, Black - Right/Left	1	1
2		1071259	Arm Tube Assembly w/ Plug Buttons, Desk Length, Black - Right/Left	1	1
3		1027095	Plug Button, Black (7/8")	1	2
4		1055949	Package, Screw, Phillips Pan Head (#10-32 x 1-3/8")	2	1
5		47471X074	Spring, Arm Lock	1	1
6		1028594	Pin, Arm Lock, Black	1	1
7		1090768	Kit, Lock Handle w/Rivets (Pair)	2	1
8		1065936	Plug, Pivot	1	2
9		1067734	Plug Button, Black (5/8")	1	2
10		1016298	Grip, Push Handle	1	1
11		1068585	Arm Base Assembly, Adjustable Height, Black - Right	1	1
11		1068586	Arm Base Assembly, Adjustable Height, Black - Left	1	1
12		7930323-NLA	NLA - Package, Locknut (1/4-20)	25	1
13		1068025	Clevis, Pivot	1	1
14		1019590	Screw, Socket Button Head (1/4-20 x 1-5/8")	1	1
15		1068039	Pin, Pull	1	1
16		1068488	Kit, Swingaway Armrest Mounting Hardware	1	1

NOTE: A - Specify U67 black upholstery color when ordering.

Front Riggings Reference Chart Pin and Saddle Riggings

NOTE: Calf pads with attaching hardware not included on legrest.

NOTE: Pivot/Slide tube attaching hardware not included.

Support Assemblies - PW93, PAS4A/PAL4A and P904A

Side	PW93	PAS4A/PAL4A	P904A
Right	8881070776 See Note(s) A	1058482-NLA	8881058646-NLA
Left	8881070777 See Note(s) A	1058483-NLA	8881058647-NLA

NOTE: A - Specify 24P wet black frame color when ordering.

Pivot/ Slide Tube with Footplate - PW93

Chair Width	1650 Std. Alum. 9-1/2" Long	1650 Std. Alum. 2" Longer	1650 Std. Alum. 4" Longer	1350 X-Large 9-1/2" Long	1350 X-Large 2" Longer	1350 X-Large 4" Longer
14-15" RT.	1041542-NLA	N/A	N/A	1090271-NLA	N/A	N/A
14-15" LT.	1041543-NLA	N/A	N/A	1090272-NLA	N/A	N/A
16-22" RT.	1074149	1086494-NLA	1086495-NLA	1026395	1086515	1086516
16-22" LT.	1074150	1086497-NLA	1086498-NLA	1026396	1086517	1086518

Pivot/ Slide Tube with Footplate - PAS4A/PAL4A

Front Rigging Type	Chair Width	1650 Std. Alum.	1350 X-Large
PAS4A	14-15" RT.	1023905-NLA	1035454-NLA
PAS4A	14-15" LT.	1023906-NLA	1035455-NLA
PAL4A	16-22" RT.	1023907	1035456
PAL4A	16-22" LT.	1023908	1035457

Front Riggings Reference Chart

Pin and Saddle Riggings

NOTE: Calf pads with attaching hardware not included on legrest.

NOTE: Pivot/Slide tube attaching hardware not included.

Pivot/ Slide Tube with Footplate - P904A

For 1650 Footplates

Chair Width	1650 Std. Alum. 9-1/2" Long	1650 Std. Alum. 2" Longer	1650 Std. Alum. 4" Longer
14-15" RT.	1058612-NLA	N/A	N/A
14-15" LT.	1058613-NLA	N/A	N/A
16-22" RT.	1058604	1086529-NLA	1086530-NLA
16-22" LT.	1058605	1086531-NLA	1086532-NLA

Pivot/Slide Tube with Footplate - P904A

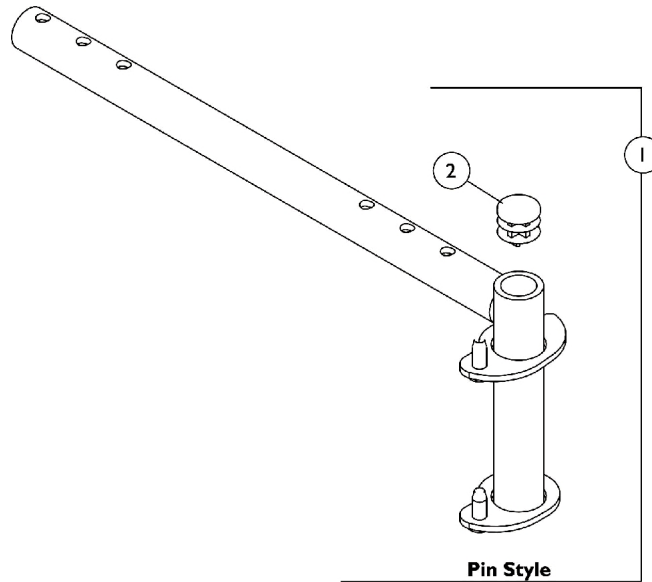
For 1450 and 1350 Footplates

Chair Width	1450 Delx. Alum. 9-1/2" Long	1350 X-Large 9-1/2" Long	1350 X-Large 2" Longer	1350 X-Large 4" Longer
14-15" RT.	N/A	1058828-NLA	N/A	N/A
14-15" LT.	N/A	1058829-NLA	N/A	N/A
16-22" RT.	1028723-NLA	1058830	1086541-NLA	1086542-NLA
16-22" LT.	1028724-NLA	1058831	1086551-NLA	1086552-NLA

Front Rigging Hanger Assembly

Pin Style

NOTE: Front rigging hangers and seat pans share the same mounting hardware, see Seat Pan and Mounting Hardware page.

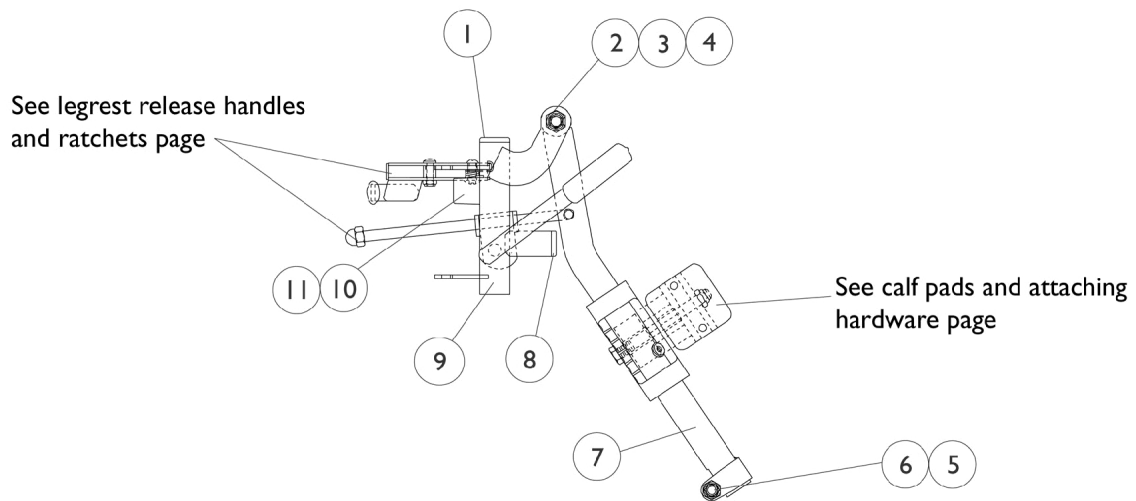


Item Number	Note	Part Number	Description	Quantity Per	
				Package	Assembly
1	A	1070356-NLA	NLA - Hanger Assembly, Front Rigging, Pin Style, Black - Right (12 - 21" D)	1	1
1	A	1070357-NLA	NLA - Hanger Assembly, Front Rigging, Pin Style, Black - Left (12 - 21" D)	1	1
1	A	1070358-NLA	NLA - Hanger Assembly, Front Rigging, Pin Style, Black - Right (22" D)	1	1
1	A	1070359-NLA	NLA - Hanger Assembly, Front Rigging, Pin Style, Black - Left (22" D)	1	1
2		1027097	Plug Button, Black (3/4")	1	1

NOTE: A - Includes front rigging hanger and item 2

P904A Legrest Supports

Pin and Saddle



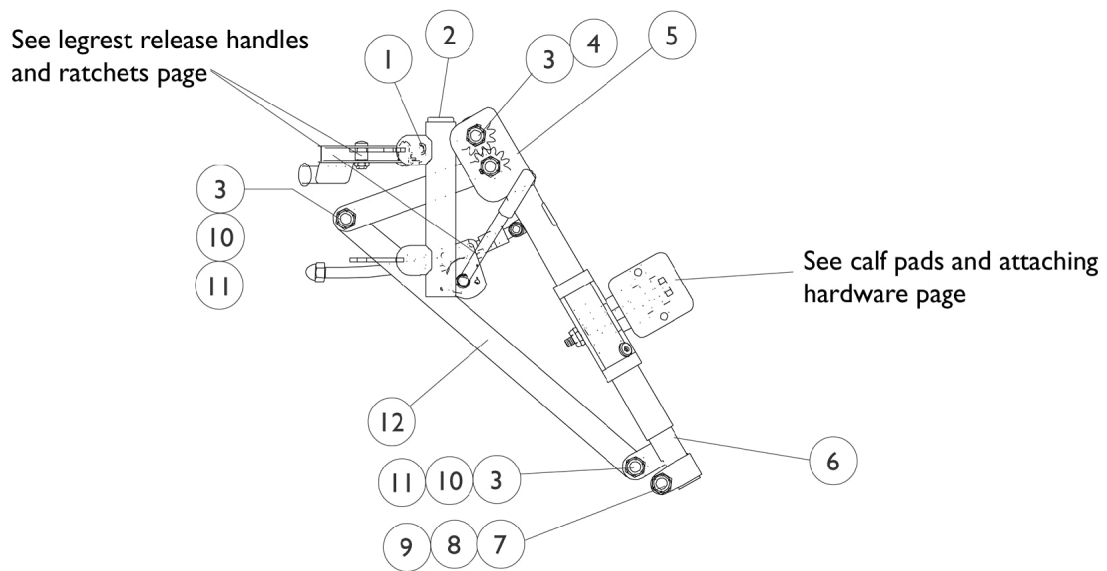
P904A Legrest Supports Pin and Saddle

Item Number	Note	Part Number	Description	Quantity Per	
				Package	Assembly
1		1027095	Plug Button, Black (7/8")	1	1
2		11919X000-NLA	NLA - Screw, Slotted Truss Head (3/8-16 x 1-1/2")	1	1
3		1058636-NLA	NLA - Washer, Nylon (25/64 x 7/8 x 1/32")	1	2
4		40363X000	Hex Nut (3/8"-16)	1	1
5		7930330-NLA	NLA - Locknut (5/16-24)	25	1
6		1026030	Bolt, Lug (5/16-24 x 1-3/8")	1	1
7	A	8881048851	Tube, Elevating Adjustable Support, Color - Right	1	1
7	A	8881048852	Tube, Elevating Adjustable Support, Color - Left	1	1
8		1027097	Plug Button, Black (3/4")	1	1
9	A	8881058664-NL A	NLA - Tube, Legrest Support, Color - Right	1	1
9	A	8881058665-NL A	NLA - Tube, Legrest Support, Color - Left	1	1
10		1022874	Bumper	1	1
11		1030979	Screw, Phillips Pan Head Tap (#10-32 x 3/4")	1	1
	A,B	8881058646-NL A	NLA - Legrest Support Assembly, Adult, Color - Right	1	1
	A,B	8881058647-NL A	NLA - Legrest Support Assembly, Adult, Color - Left	1	1

NOTE: A - Specify 24P wet black frame color when ordering.
B - Not Shown

PAS4A/PAL4A Articulating Legests

Pin and Saddle

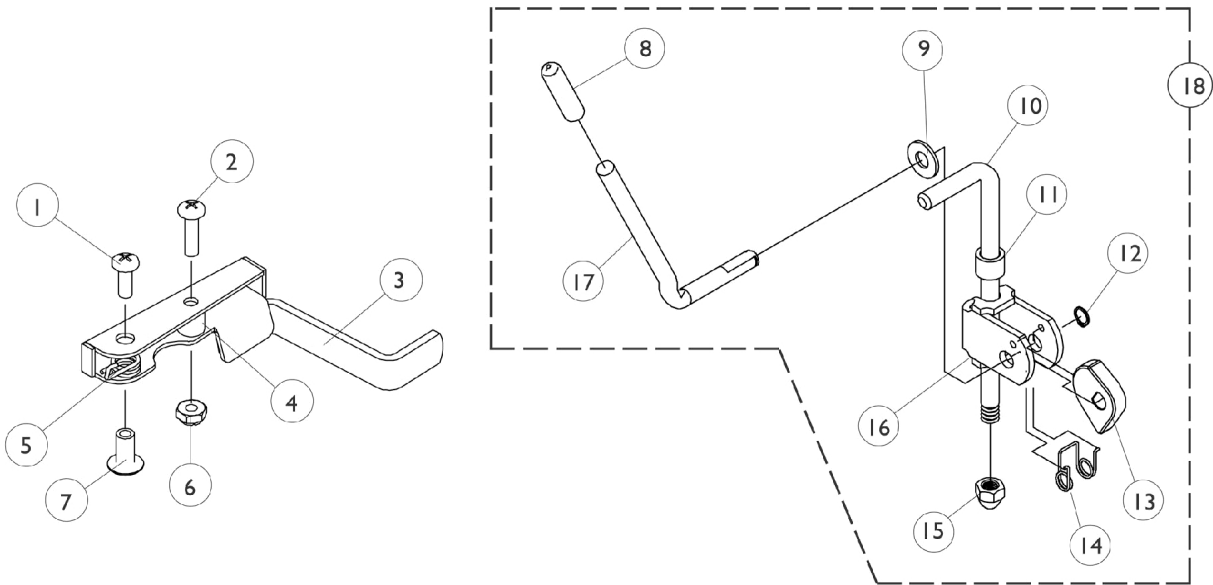


PAS4A/PAL4A Articulating Legests Pin and Saddle

Item Number	Note	Part Number	Description	Quantity Per	
				Package	Assembly
1		1058478-NLA	NLA - Tube, Legrest Support - Right	1	1
1		1058479-NLA	NLA - Tube, Legrest Support - Left	1	1
2		1027097	Plug Button, Black (3/4")	1	1
3		40363X000	Hex Nut (3/8"-16)	3	3
4		1022854-NLA	NLA - Screw, Shoulder Slotted Head (1/2 x 1-1/8", 3/8-16)	1	1
5		1022877-NLA	NLA - Tube, Support and Drive Link, Chrome - Right	1	1
5		1022878-NLA	NLA - Tube, Support and Drive Link, Chrome - Left	1	1
6		1022848	Tube, Slide, Articulating, Chrome - Right	1	1
6		1022849	Tube, Slide, Articulating, Chrome - Left	1	1
7		1027377	Washer (#20)	1	1
8		7930363-NLA	NLA - Package, Locknut (5/16"-24)	25	1
9		11232X009	Bolt, Lug (5/16-24 x 1-3/8")	1	1
10		1022866-NLA	NLA - Screw, Socket Button Head (3/8-16 x 3/4")	2	2
11		1049527	Washer, Nylon (3/8 x 3/4 x 1/16")	2	2
12		1022846-NLA	NLA - Bar, Link, Black	1	1
	A	1058482-NLA	NLA - Legrest Support Assembly, Articulating, Adult, Chrome - Right	1	1
	A	1058483-NLA	NLA - Legrest Support Assembly, Articulating, Adult, Chrome - Left	1	1

NOTE: A - Not Shown

Legrest Release Handles & Ratchets

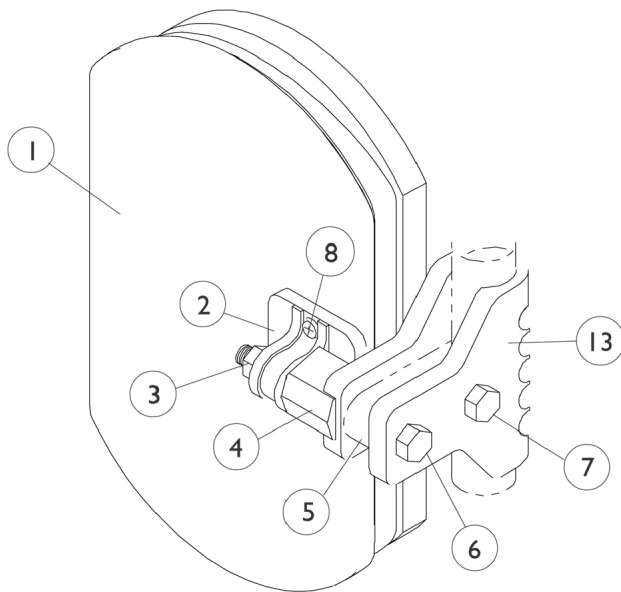


Legrest Release Handles & Ratchets

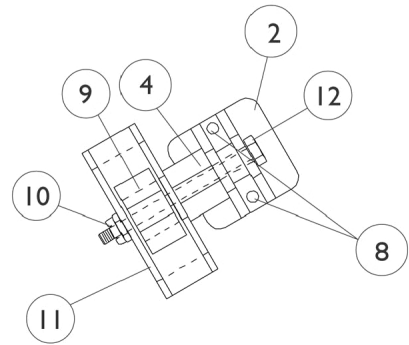
Item Number	Note	Part Number	Description	Quantity Per	
				Package	Assembly
1		7930328-NLA	NLA - Package, Screw, Phillips Pan Head (#10-32 x 11/16")	25	1
2		7930335-NLA	NLA - Package, Screw, Phillips Pan Head (#10-32 x 1/2")	25	1
3		1035539	Handle, Release, Black - Right	1	1
3		1035540	Handle, Release, Black - Left	1	1
4		47565X057	Bushing (7/32 x 3/8 x 11/32")	1	1
5		1028707	Spring, Release - Right	1	1
5		1028708	Spring, Release - Left	1	1
6		7930332-NLA	NLA - Locknut, High Profile (#10-32)	25	1
7		1028846-NLA	NLA - Rivnut (#10-32)	1	1
8		1040060	Tip, Plastic, Black	1	1
9		7930310-NLA	NLA - Washer, Nylon (5/16 x 11/16 x 1/16")	25	1
10	A	42326X004	Bar, Ratchet - Right/Left	1	1
10	B	1023811-NLA	NLA - Bar, Ratchet - Right	1	1
10	B	1023812-NLA	NLA - Bar, Ratchet - Left	1	1
11		47328X003	Bushing, Pivot (5/16 x 7/16 x 7/8")	1	1
12		1040831	Ring, Snap	1	1
13		1037125	Cam, Legrest	1	1
14		1037485	Spring, Release	1	1
15		7930336-NLA	NLA - Nut, Acorn (5/16-24)	25	1
16		04528X002	Bracket, Release, Black	1	1
17		1037126	Handle, Release	1	1
18	C	1046329	Kit, Elevating Legrest Ratchet Hardware (Pair)	2	1
18	D	1046331-NLA	NLA - Kit, Articulating Legrest Ratchet Hardware (Pair)	2	1
NOTE: A - 904A Legrest B - Articulating Legrest C - 904A Legrest (Pair) D - Articulating Legrest (Pair) right and left					

Calf Pads and Attaching Hardware

Due to a change to the Legrest Calf Pad size made on 4/23/12, you must also order the hardware kit (1066591) when ordering replacement Calf Pads.



P904A
Legrest.



PAS4A/PAL4A
Articulating Legrest

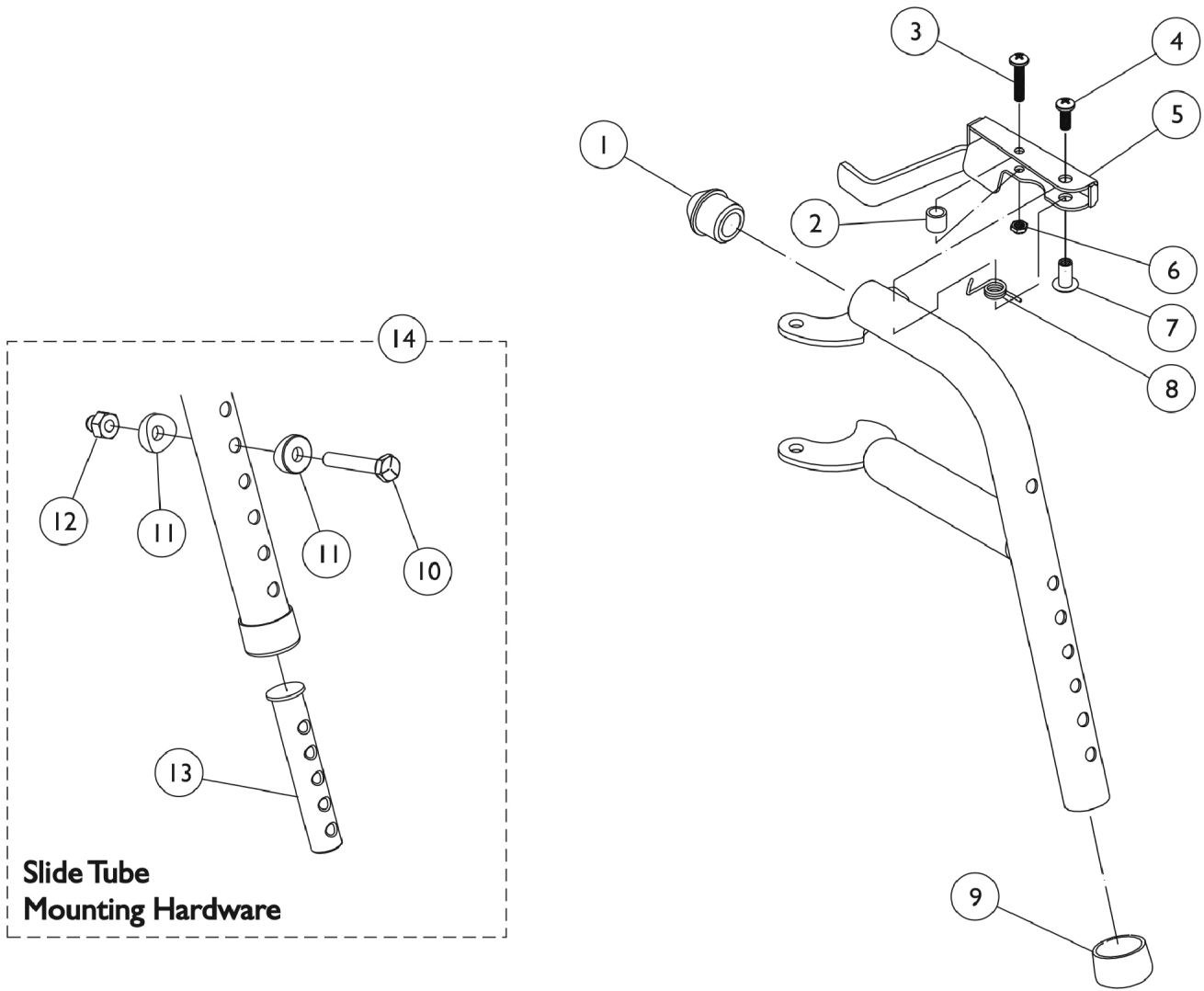
Calf Pads and Attaching Hardware

Due to a change to the Legrest Calf Pad size made on 4/23/12, you must also order the hardware kit (1066591) when ordering replacement Calf Pads.

Item Number	Note	Part Number	Description	Quantity Per	
				Package	Assembly
1	A,B,E	8881091759	Pad w/ Cover and Screws, Legrest Vinyl (Pair)	2	1
1	A,B,E	8881091764	Pad, Legrest, Vinyl - Right/Left	1	1
1	A,C,E	88804529X003	Pad, Legrest, Vinyl - Right	1	1
1	A,C,E	88804529X004	Pad, Legrest, Vinyl - Left	1	1
1		01415X000-NLA	NLA - Cover, Legrest Pad	1	1
2		04526X019	Plate, Legrest Pad	1	1
3		7930330-NLA	NLA - Locknut (5/16-24)	25	1
4		1025133	Spacer, Legrest Pad, Black	1	1
5		1032267	Spacer, Legrest Pad Mounting, Black	1	1
6		1037110	Screw, Hex Head (5/16-24 x 3-1/2")	1	1
7		1028514	Screw, Hex Head (5/16-24 x 1-1/2")	1	1
8	D	1066591	Hardware, Legrest Pad	1	1
			Screw, Phillips Pan Head (#10-32 x 11/16")	1	2
			Screw, Phillips Pan Head (#10-32 x 1")	1	2
			Instruction Sheet, Legrest Pad Mtg.	1	1
9		48823X008	Spring, Leaf	1	1
10		7930363-NLA	NLA - Package, Locknut (5/16"-24)	25	2
11		1025104	Bracket, Legrest, Chrome	1	1
12		1014807	Screw, Hex Head (5/16-24 x 3-1/4")	1	1
13		1032266	Bracket, Legrest Pad Mounting, Black	1	1
NOTE: A - Specify U67 black upholstery color when ordering B - 16-22" Wide C - 14-15" Wide D - Includes Screws and Instruction Sheet. E - Due to a change to the Legrest Calf Pad size made on 4/23/12, you must also order the hardware kit (1066591) when ordering replacement Calf Pads.					

PW93 Footrest Supports

Pin and Saddle



PW93 Footrest Supports

Pin and Saddle

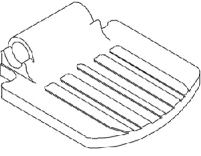
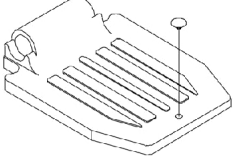
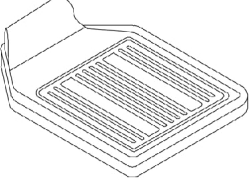
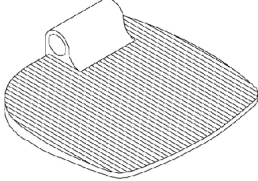
Item Number	Note	Part Number	Description	Quantity Per	
				Package	Assembly
1		1020719	Anti-Rattle, Black	1	1
2		47565X057	Bushing (7/32 x 3/8 x 11/32")	1	1
3		1025716	Screw, Phillips Pan Head (#10-32 x 11/16")	1	1
4		1026114	Screw, Phillips Pan Head (#10-32 x 1/2")	1	1
5		1035539	Handle, Release, Black - Right	1	1
5		1035540	Handle, Release, Black - Left	1	1
6		1025735	Locknut (#10-32)	1	1
7		1028846-NLA	NLA - Rivnut (#10-32)	1	1
8		1028707	Spring, Release - Right	1	1
8		1028708	Spring, Release - Left	1	1
9		15680X012	Collar, Anti-Rattle (7/8")	1	1
10		1070759	Screw, Hex Head (1/4-20 x 1-1/2")	1	1
11		1026099	Spacer, Coved (1/4 x 11/16 x 1/2")	1	2
12		1044214	Nut, Hex with Nylon Cap (1/4-20)	1	1
13	C	1020534	Insert, Threaded	1	1
14		1074143	Kit, Slide Tube Mounting Hardware	1	1
	B,A	8881070776	Footrest Support Assembly, Adult, Color - Right	1	1
	B,A	8881070777	Footrest Support Assembly, Adult, Color - Left	1	1

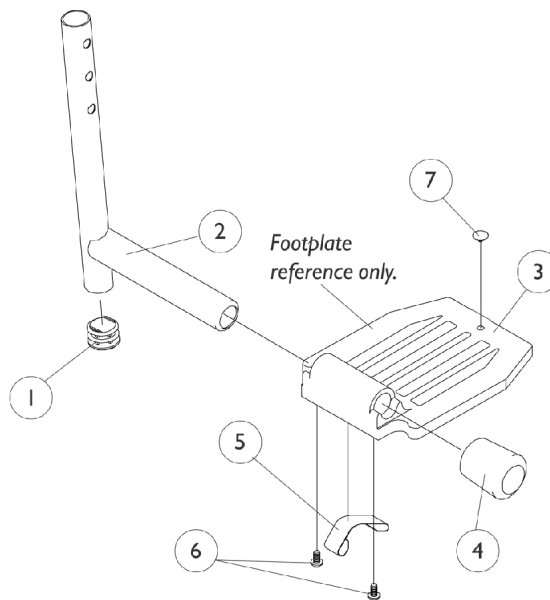
NOTE: A - Specify 24P wet black frame color when ordering.
 B - Not Shown
 C - As of 8/15/03, the Threaded Insert was revised from 3 to 5 Holes. Threaded Insert is Backward Compatible and does not require ordering in Pairs.

Pivot & Slide Tube w/ Standard (1650), Deluxe (1450) and X-Large (1350) Aluminum Footplates

NOTE: Heel loops are not included. See footrest and legrest accessories.

NOTE: For complete pivot/slide tube and footplate assemblies, see front riggings reference charts.

			
14" Wide 1650 Standard Alum.	16"-22" Wide 1650 Standard Alum.	16"-22" Wide 1450 Deluxe Alum.	14"-22" Wide 1350 X-Large Alum.



Pivot & Slide Tube w/ Standard (1650), Deluxe (1450) and X-Large (1350) Aluminum Footplates

NOTE: Heel loops are not included. See footrest and legrest accessories.

NOTE: For complete pivot/slide tube and footplate assemblies, see front riggings reference charts.

Item Number	Note	Part Number	Description	Quantity Per	
				Package	Assembly
1		1027097	Plug Button, Black (3/4")	1	1
2	A	1048834	Pivot/Slide Tube w/ Plug Button, Black	1	1
2	A	1086481-NLA	NLA - Pivot/Slide Tube w/ Plug Button, Black (2" Longer)	1	1
2	A	1086482	Pivot/Slide Tube w/ Plug Button, Black (4" Longer)	1	1
2	B	1041526	Pivot/Slide Tube w/ Plug Button Assembly, Chrome	1	1
2	C	1100568-NLA	NLA - Pivot/Slide Tube w/ Plug Button, Black	1	1
2	C	1100569-NLA	NLA - Pivot/Slide Tube Assembly, Extra Large, Standard Aluminium - 2" Longer, Black	1	1
2	C	1100570-NLA	NLA - Pivot/Slide Tube w/ Plug Button, Black (4" Longer)	1	1
2	D	1100571-NLA	NLA - Pivot/Slide Tube w/ Plug Button, Deluxe, Black	1	1
3	E	44200X059	Footplate, Aluminum, Small, Black (6-3/4" W x 6" L)	1	1
3	F	44200X027	Footplate, Aluminum, Medium, Black (7-3/4" W x 6" L)	1	1
3	F	1043659-NLA	NLA - Footplate, Aluminum, Deluxe, Black - Right (8" W x 5-3/4" L)	1	1
3	F	1043660-NLA	NLA - Footplate, Aluminum, Deluxe, Black - Left (8" W x 5-3/4" L)	1	1
3	E	1002343	Footplate, Aluminum, Extra Large, Black - Right (7" W x 8-1/2" L)	1	1
3	E	1002344	Footplate, Aluminum, Extra Large, Black - Left (7" W x 8-1/2" L)	1	1
3	F	44200X025	Footplate, Aluminum, Extra Large, Black - Right (8" W x 8-1/2" L)	1	1
3	F	44200X026	Footplate, Aluminum, Extra Large, Black - Left (8" W x 8-1/2" L)	1	1
4	G	1016346	Cap, End, Tube, Black (7/8")	1	1
4	H	1027095	Plug Button, Black (7/8")	1	1
5	G	1006981	Spring, Tension	1	2
5	I,J	1036120-NLA	NLA - Spring	1	2
5	H,L	1036123	Spring, Leaf	1	1
6	K	7930354-NLA	NLA - Package, Phillips Head Screw (#8-32 x 3/8")	1	2
7		1070168	Plug, Push, Footplate	1	1

Pivot & Slide Tube w/ Standard (1650), Deluxe (1450) and X-Large (1350) Aluminum Footplates

NOTE: Heel loops are not included. See footrest and legrest accessories.

NOTE: For complete pivot/slide tube and footplate assemblies, see front riggings reference charts.

NOTE: A - PW93
B - PAS4A and PAL4 with standard aluminium and extra large
C - 904 with standard aluminium and extra large
D - 904 with deluxe aluminium
E - 14"-15" Wide
F - 16"-22" Wide
G - Standard Aluminium Footplate
H - Extra Large Footplate
I - Deluxe Footplate
J - Takes two per side
K - Takes one per side
L - Use one or more leaf springs per assembly as required such that footplate may be moved by hand to the up-right position and remain in place.

Footrest and Legrest Accessories

Item Number	Note	Part Number	Description	Quantity Per	
				Package	Assembly
	A,B	1032243	Strap, Calf w/ Hook and Loop (36" L)	1	1
	A,C	1032215	H-Strap (26" L)	1	1
	A,D	1032216	H-Strap (31" L)	1	1
	A	See Chart	Attaching Hardware Part Numbers	1	1
	A	See Chart	Heel Loops and Heel Loops w/ Ankle Straps	1	1
	A	See Chart	Toe Loops (1345) and Hardware	1	1
NOTE: A - Not Shown B - 14-22" Wide C - 14-16" Wide D - 17-22" Wide					

Heel Loops and Heel Loops w/ Ankle Straps

Footplate Type	Heel Loop Single #	Heel Loop Pair #	Heel Loop w/ Ankle Strap Single # RT.	Heel Loop w/ Ankle Strap Single # LT.	Heel Loop w/ Ankle Strap Pair #	Attaching Hardware Pair #
Std. Alum. (1650) 14-15" W	1025234-NLA	1035905	1035908-NLA	1035909-NLA	1035906	1035907
Std. Alum. (1650) 16-22" W	1017621	1035917-NLA	1035919	1035920	1035918	1035907
Deluxe Alum. (1450) 16-22" W	1017621	1035917-NLA	1035919	1035920	1035918	1086112-NLA
X-Large Alum. (1350) 14-15" W	1025234-NLA	1035905	1035908-NLA	1035909-NLA	1035906	1055241
X-Large Alum. (1350) 16-22" W	1017621	1035917-NLA	1035919	1035920	1035918	1055241

Heel Loop Hardware Part Numbers

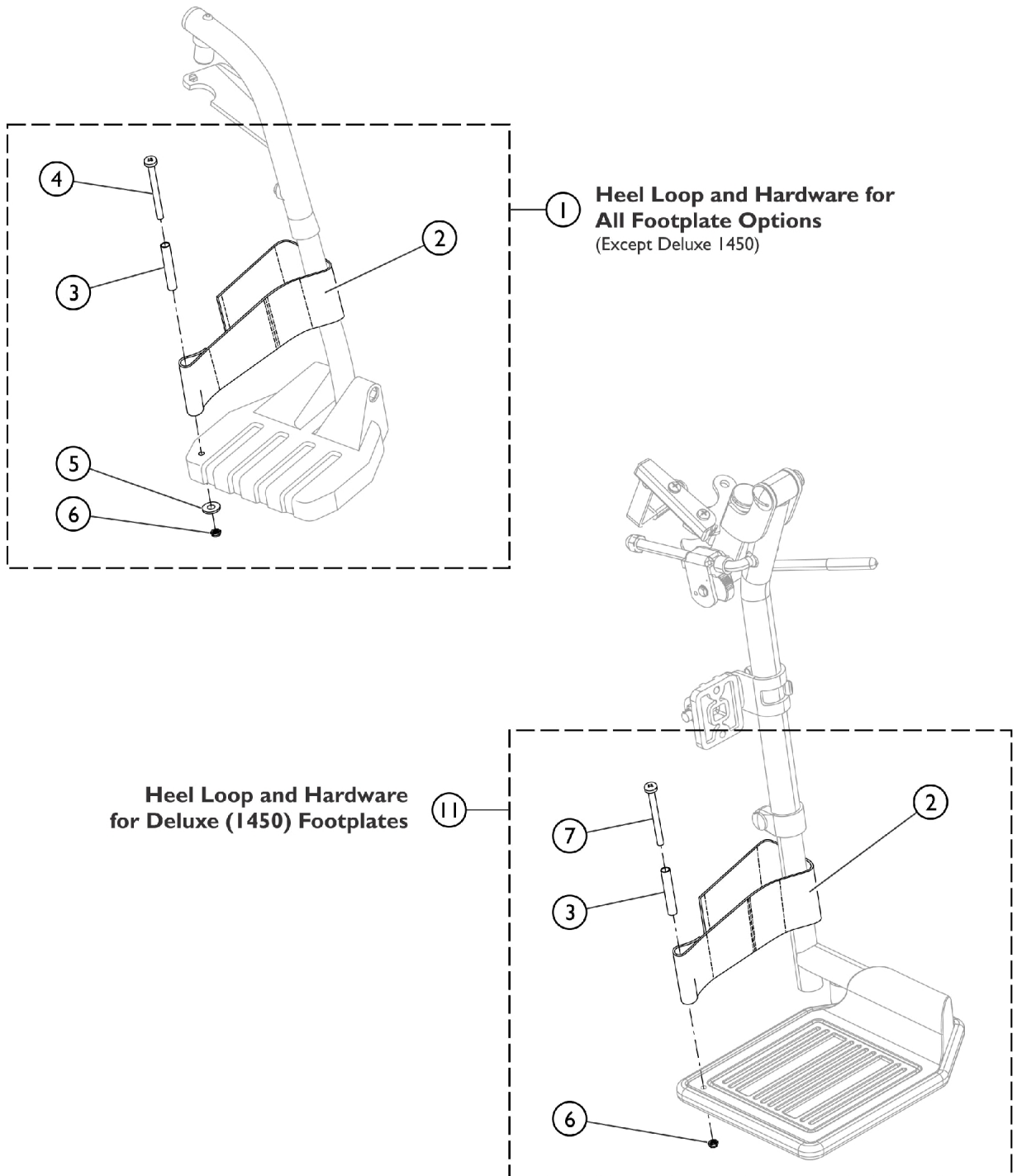
Part Number	Part Number	Part Number
1035907	1086112-NLA	1055241
2 ea. Screw Phillips Pan Head (1/4-20 x 2-1/2") 2 ea. Spacer (1/4 x 11/32 x 1-3/4") 2 ea. Locknut (1/4-20)	2 ea. Screw Phillips Pan Head (1/4-20 x 2-1/2") 2 ea. Spacer (1/4 x 11/32 x 1-3/4") 2 ea. Locknut (1/4-20)	2 ea. Screw Phillips Pan Head (1/4-20 x 2-1/4") 2 ea. Spacer (1/4 x 11/32 x 1-3/4") 2 ea. Locknut (1/4-20)

Footrest and Legrest Accessories

Toe Loops (1345) and Attaching Hardware

Footplate Type	Toe Loop w/o Hardware Single #	Toe Loop w/o Hardware Pair #	Attaching Hardware Part Number	Attaching Hardware Consists of
All Sizes	04572X025	1037087	1037089	4 each Screw Phillips Pan Head (10-32 x 7/8") 4 each Washer (1/4 x 3/4 x 3/32") 4 each Locknut (10-32)

Front Riggings - Adjustable Heel Loops



SCM_058A

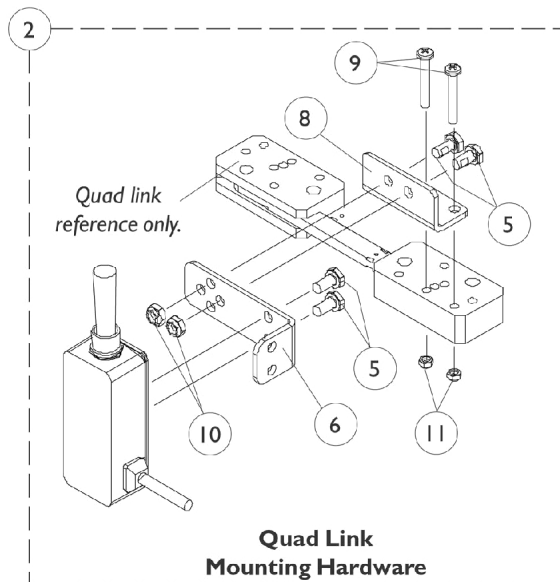
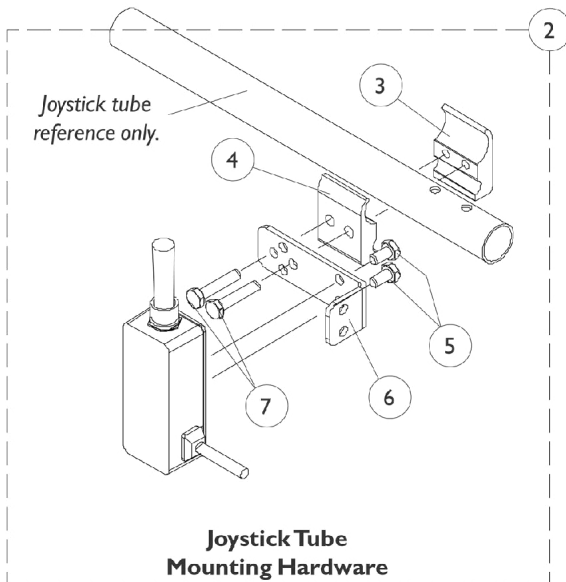
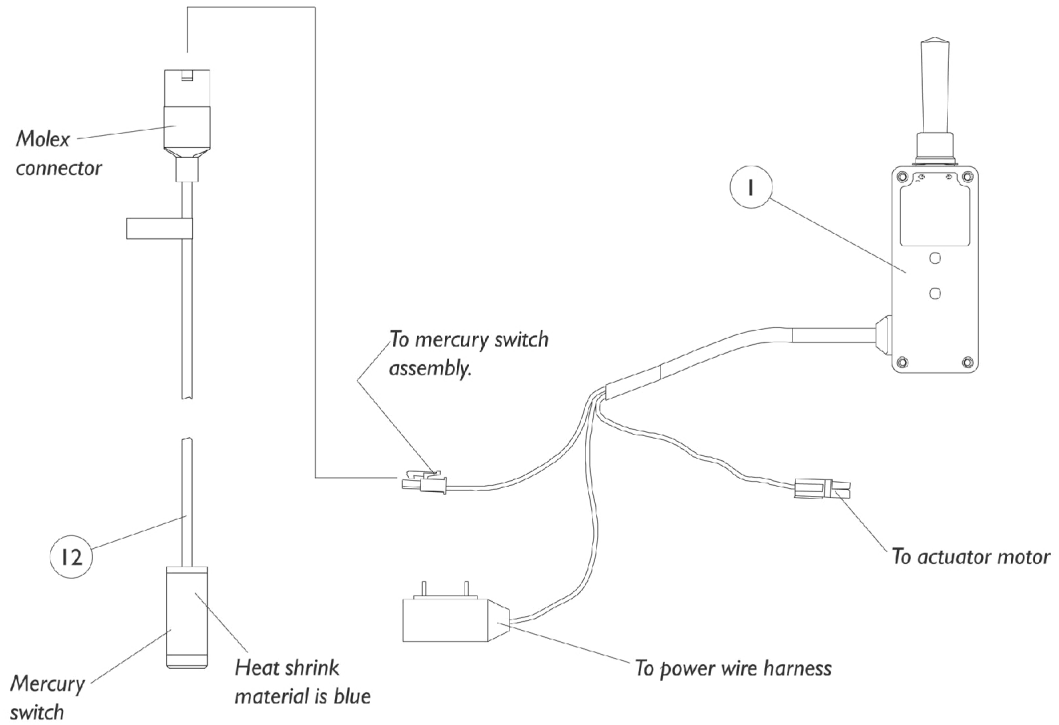
Front Riggings - Adjustable Heel Loops

Item Number	Note	Part Number	Description	Quantity Per	
				Package	Assembly
1	A	1191117	Kit, Heel Loop, Adjustable w/ Hardware (Pair)	1	1
2			Heel Loop	1	2
3			NLA - Spacer (1/4 x 11/32 x 1-3/4")	1	2
4			NLA - Screw, Phillips Pan Head (1/4-20 x 2-1/4")	1	2
5			Washer, Flat (1/4 x 5/8 x 1/16")	1	2
6			Nut, Hex, Nylon Cap (1/4-20)	1	2
			Instruction Sheet, Adjustable Heel Loop	1	1
11	B	1191116	Kit, Heel Loop, Adjustable w/ Hardware, Deluxe 1450 (Pair)	1	1
2			Heel Loop	1	2
3			NLA - Spacer (1/4 x 11/32 x 1-3/4")	1	2
6			Nut, Hex, Nylon Cap (1/4-20)	1	2
7			NLA - Screw, Phillips Pan Head (1/4-20 x 2-1/2")	1	2
			Instruction Sheet, Adjustable Heel Loop	1	1
NOTE: A - Kit includes items 2 - 6. Used with All Footplates except Deluxe (1450). B - Kit includes items 2, 3, 6, and item 7. Used with Deluxe (1450) Footplates only.					

Electronics

Tilt Recline Single Switch (TRSS)

As of 7/1/2009, switches are mercury free. TRSS Tilt Recline Single Switch is not used with MK6i electronics.



Electronics

Tilt Recline Single Switch (TRSS)

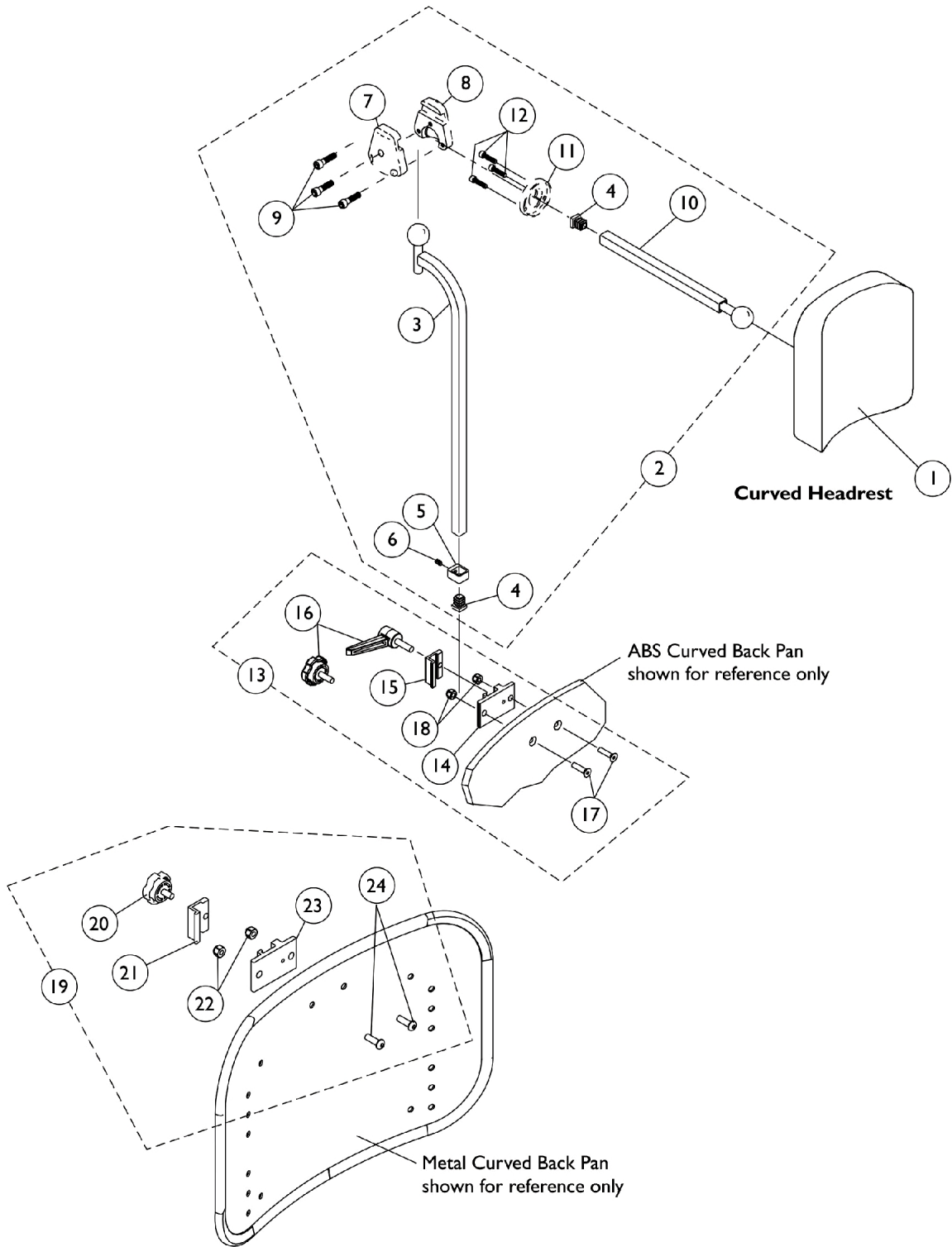
As of 7/1/2009, switches are mercury free. TRSS Tilt Recline Single Switch is not used with MK6i electronics.

Item Number	Note	Part Number	Description	Quantity Per	
				Package	Assembly
1		1089384	Switch, Toggle Tilt Recline Single (TRSS)	1	1
2	A	1091496	Kit, Joystick Tube Toggle Switch Mounting Hardware	1	1
3			NLA - Half Clamp, Threaded Holes	1	1
4			Half Clamp, Non-Threaded Holes	1	1
5			Screw, Hex Head w/ Patch (1/4-20 x 1/2")	1	2
6			NLA - Bracket, Toggle Switch Mounting, Black	1	1
7			NLA - Screw, Hex Head (1/4-20 x 1-1/8")	1	2
2	B	1091497-NLA	NLA - Kit, Quad Link Toggle Switch Mounting Hardware	1	1
5			Screw, Hex Head w/ Patch (1/4-20 x 1/2")	1	4
6			NLA - Bracket, Toggle Switch Mounting, Black	1	1
8			NLA - Bracket, Quad Link Toggle Switch Mounting, Black	1	1
9			Screw, Phillips Pan Head (#10-32 x 1-3/8")	1	2
10			Locknut (1/4-20)	1	2
11			Locknut (#10-32)	1	2
12		1080635-NLA	NLA - Harness, Recline/Tilt Limit Mercury Free Ball Switch	1	1
	C	1106544-NLA	NLA - Kit, Switch Clip with Mounting Hardware	1	1
			NLA - Bracket, Cable/Wire Mounting, Black	1	1
			Screw, Phillips Pan Head Tap (#10-16 x 3/4")	1	1
			Lockwasher, External Tooth (#10)	1	1

NOTE: A - Includes items 3-7
 B - Includes items 5, 6, and 8-11
 C - Not Shown and includes 1 ea. of the (Bracket, Limit Switch); (#10-32 x 3/4" Screw, Phillips Self Tap); (#10 Lockwasher, External Tooth)

Headrest Support Assembly

ABS and Metal Curved Backs



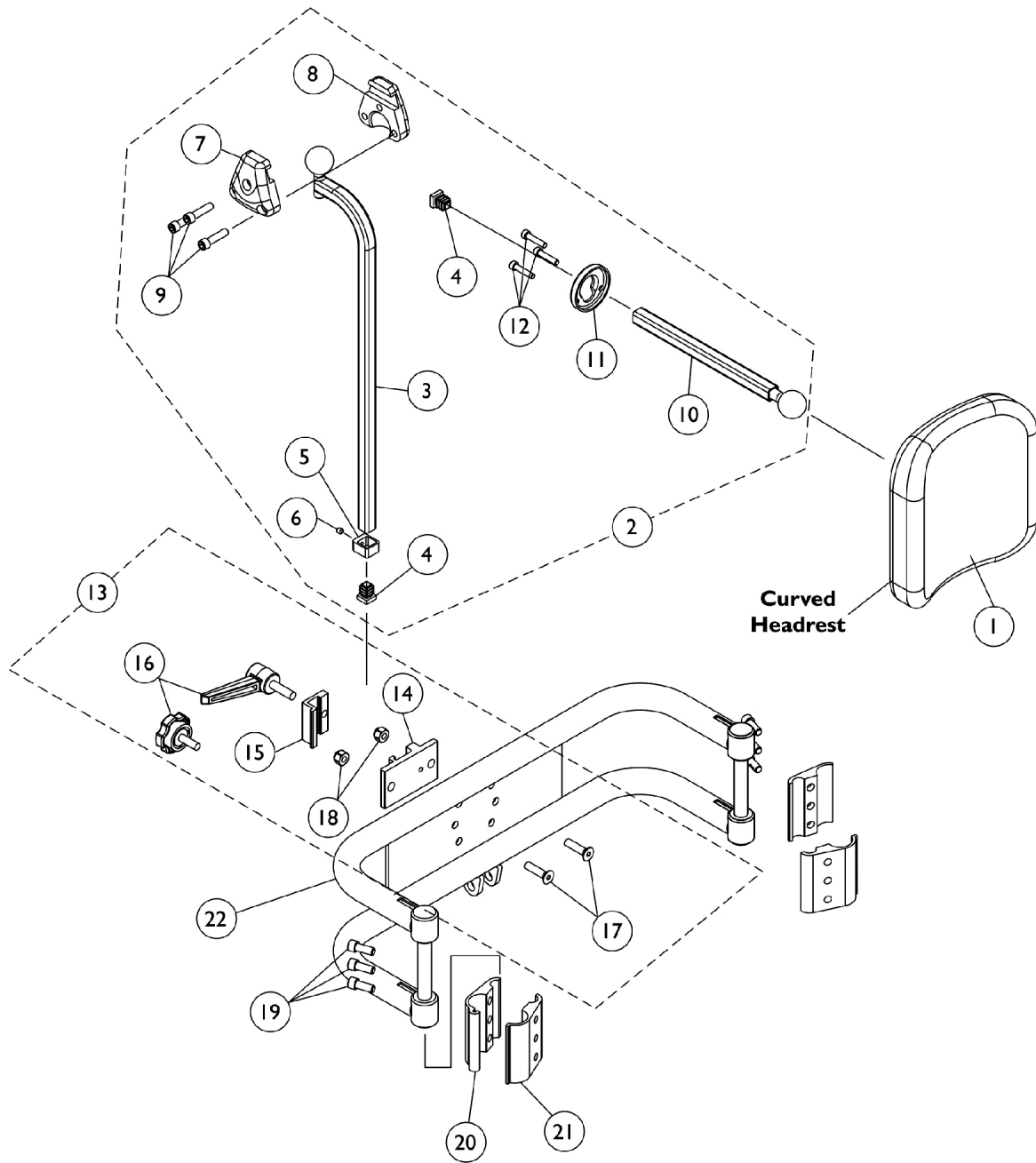
Headrest Support Assembly ABS and Metal Curved Backs

Item Number	Note	Part Number	Description	Quantity Per	
				Package	Assembly
1		0127700	Headrest, Curved (6" W x 7" H)	1	1
2	A	0197024	Fixture Assembly, Offset Support	1	1
3		0271524-NLA	NLA - Tube, Offset Fixture, Black	1	1
4		1077076-NLA	NLA - Plug Button, Square (1/2")	1	2
5		0271124-NLA	NLA - Collar, Offset Fixture Tube	1	1
6		0288606-NLA	NLA - Screw, Set Socket Cup Point (#10-24 x 3/16")	1	1
7		0271224	Half Clamp, Non-Threaded Holes	1	1
8		0271324	Half Clamp, Threaded Holes	1	1
9		1027268	Screw, Allen Head (1/4-20 x 1")	1	3
10		0271424-NLA	NLA - Tube, Fixture Adjustment	1	1
11		0283724-NLA	NLA - Ring, Fixture Clamp	1	1
12		0067006-NLA	NLA - Screw, Cap, Socket Head (#10-32 x 1/2")	1	3
13	B,E	0273100	Kit, Headrest Clamp, Lever Style	1	1
14	C	0237422-NLA	NLA - Clamp, Small Bottom Half	1	1
15	C	0237522-NLA	NLA - Clamp, Small Top Half	1	1
16		1072439-NLA	NLA - Knob, Adjustment, Black (3/4" L Threads)	1	1
17		0288706-NLA	NLA - Screw, Socket, Flat Head (1/4-20 x 1")	1	2
18		1025736	Locknut (1/4-20)	1	2
19	D	1160332	Kit, Headrest Clamp, Knob Style	1	1
20		1072439-NLA	NLA - Knob, Adjustment, Black (3/4" L Threads)	1	1
21	C	0237522-NLA	NLA - Clamp, Small Top Half	1	1
22		1025736	Locknut (1/4-20)	1	2
23	C	0237422-NLA	NLA - Clamp, Small Bottom Half	1	1
24		1009838	Screw, Socket Button (1/4-20 x 3/4")	1	2

NOTE: A - Includes items 3-12
 B - For ABS Plastic Curved Back models. Includes items 14-18. Item 16 Adjustment Knob was replaced with an Adjustment Lever. The Lever is not available as a separate part. The knob Part # 1072439 is still sold separately and is interchangeable with the Lever.
 C - Clamp is no longer available individually. See Headrest Clamp Mounting Hardware Kit item 13 or 19 depending on Back Style.
 D - Includes items 20-24 and used for Metal Curved Back models. Hardware can also be used with an Invacare PCS Back.
 E - Hardware can also be used with an Invacare Personal Back.

Headrest Support Assembly

Back Cane Only Option



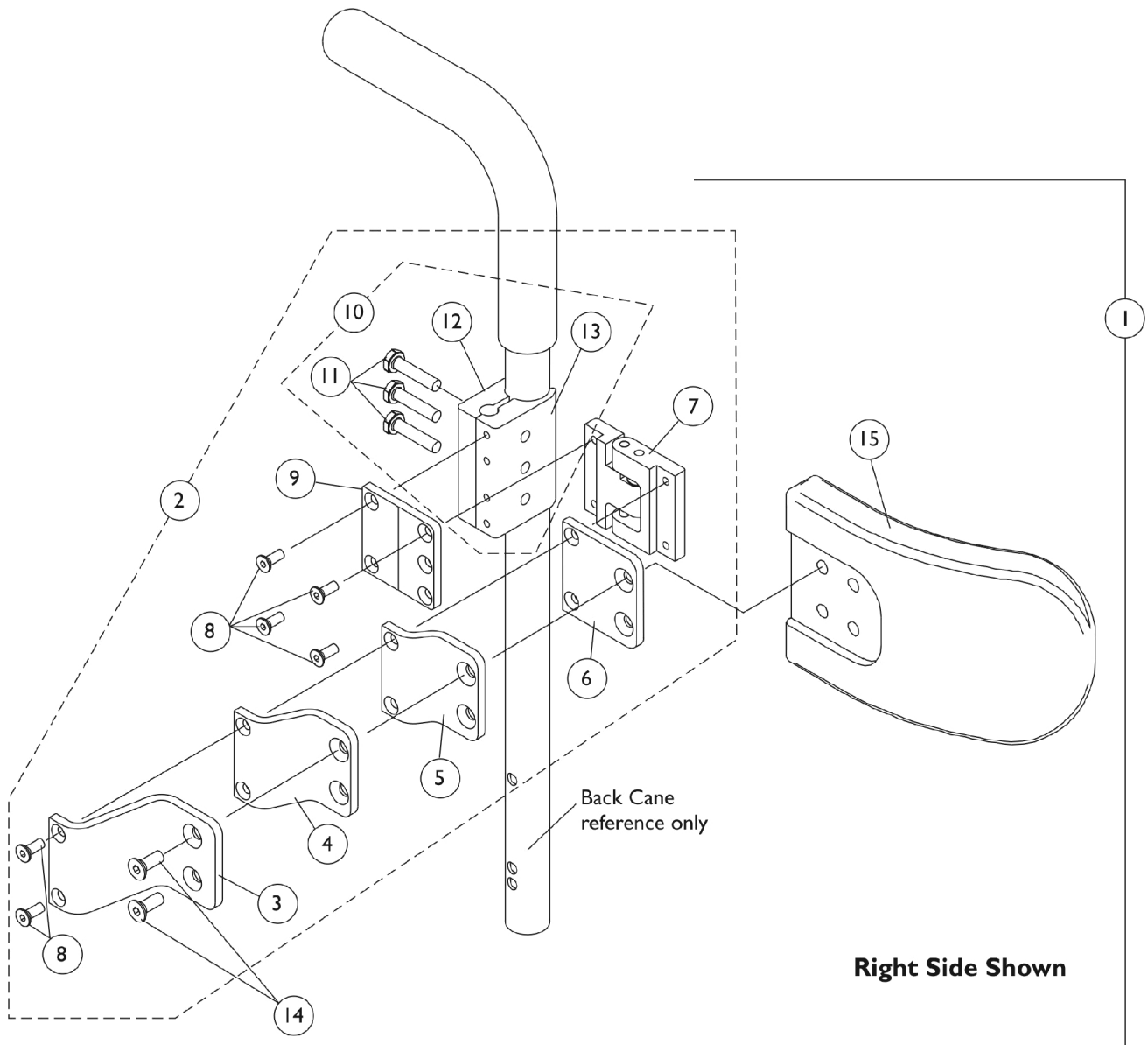
Headrest Support Assembly Back Cane Only Option

Item Number	Note	Part Number	Description	Quantity Per	
				Package	Assembly
1		0127700	Headrest, Curved (6" W x 7" H)	1	1
2		0197024	Fixture Assembly, Offset Support	1	1
3		0271524-NLA	NLA - Tube, Offset Fixture, Black	1	1
4		1077076-NLA	NLA - Plug Button, Square (1/2")	1	2
5		0271124-NLA	NLA - Collar, Offset Fixture Tube	1	1
6		0288606-NLA	NLA - Screw, Set Socket Cup Point (#10-24 x 3/16")	1	1
7		0271224	Half Clamp, Non-Threaded Holes	1	1
8		0271324	Half Clamp, Threaded Holes	1	1
9		1027268	Screw, Allen Head (1/4-20 x 1")	1	3
10		0271424-NLA	NLA - Tube, Fixture Adjustment	1	1
11		0283724-NLA	NLA - Ring, Fixture Clamp	1	1
12		0067006-NLA	NLA - Screw, Cap, Socket Head (#10-32 x 1/2")	1	1
13	B,C	0273100	Kit, Headrest Clamp, Lever Style	1	1
14	A	0237422-NLA	NLA - Clamp, Small Bottom Half	1	1
15	A	0237522-NLA	NLA - Clamp, Small Top Half	1	1
16		1072439-NLA	NLA - Knob, Adjustment, Black (3/4" L Threads)	1	2
17		0052906-NLA	NLA - Screw, Socket Button Head (1/4-20 x 3/4")	25	2
18		7930333	Locknut (1/4-20)	1	6
19		0068706-NLA	NLA - Screw, Cap, Socket Head (1/4-20 x 5/8")	1	2
20		0190722	Half Clamp, Un-Threaded Holes (7/8" Dia. Back Canes)	1	1
21		0190822	Half Clamp, Threaded Holes (7/8" Dia. Back Canes)	1	2
22		0013402	Bar, Push, Black (14" W)	1	1
22		0013502	Bar, Push, Black (15" W)	1	1
22		0013602	Bar, Push, Black (16" W)	1	1
22		0013702	Bar, Push, Black (17" W)	1	1
22		0013802	Bar, Push, Black (18" W)	1	1
22		0013902	Bar, Push, Black (19" W)	1	1
22		0014002	Bar, Push, Black (20" W)	1	1
22		0014102	Bar, Push, Black (21" W)	1	1
22		0014202	Bar, Push, Black (22" W)	1	1

NOTE: A - Clamp is no longer available individually. See item 13 Clamp Assembly part number 0273100
B - Back Canes Only. Includes items 14-18. Item 16 Adjustment Knob was replaced with an Adjustment Lever. The Lever is not available as a separate part. The knob Part # 1072439 is still sold separately and is interchangeable with the Lever.
C - Hardware can also be used with an Invacare Personal Back.

Lateral Support Assembly

Tarsys



Lateral Support Assembly

Tarsys

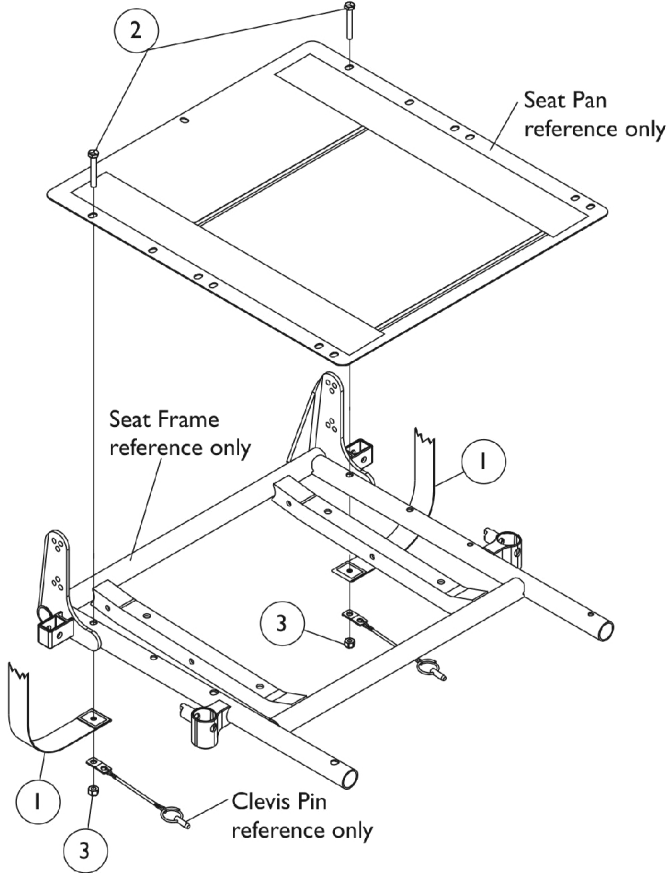
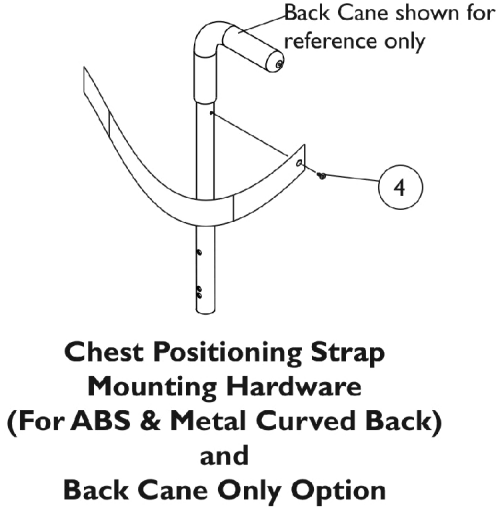
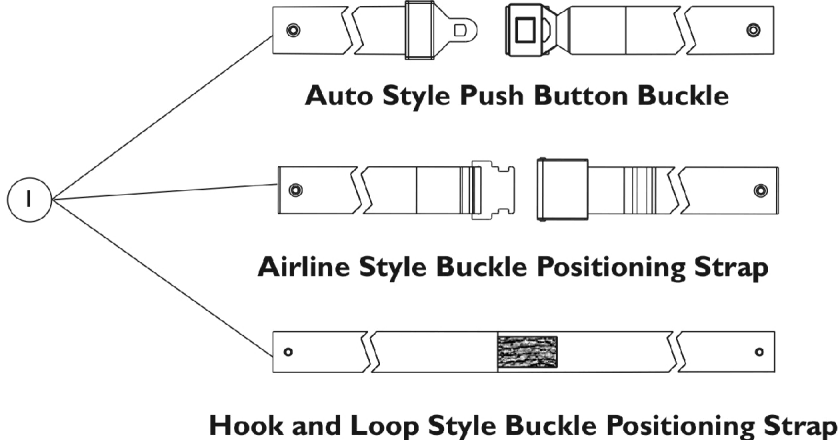
Item Number	Note	Part Number	Description	Quantity Per	
				Package	Assembly
1	A	1107298	Kit, Swingaway Lateral Support Assemblies w/ Medium Pads (Pair)	1	1
3			Bracket, Extension Offset, Black (2")	1	2
4			NLA - Bracket, Extension Offset, Black (1")	1	2
5			NLA - Bracket, Extension Offset, Black (1/2")	1	2
6			Bracket, Flush Mount, Black	1	2
7			NLA - Bracket, Swingaway, Cane Clamp, Black - Right	1	1
7			NLA - Bracket, Swingaway, Cane Clamp, Black - Left	1	1
8			NLA - Screw, Socket Flat Head (#10-32 x 1/2")	1	12
9			NLA - Bracket, Mounting, Black	1	2
11			NLA - Screw, Hex Head (1/4-20 x 1-1/8")	1	6
12			Half Clamp, Non-Threaded Holes	1	2
13			NLA - Half Clamp, Threaded Holes	1	2
14			Screw, Socket Flat Head (1/4-20 x 1/2")	1	4
15			Pad, Lateral Support - Medium (6" W x 4" H)	1	2
1	A	1107299	Kit, Swingaway Lateral Support Assemblies w/ Large Pads (Pair)	1	1
3			Bracket, Extension Offset, Black (2")	1	2
4			NLA - Bracket, Extension Offset, Black (1")	1	2
5			NLA - Bracket, Extension Offset, Black (1/2")	1	2
6			Bracket, Flush Mount, Black	1	2
7			NLA - Bracket, Swingaway, Cane Clamp, Black - Right	1	1
7			NLA - Bracket, Swingaway, Cane Clamp, Black - Left	1	1
8			NLA - Screw, Socket Flat Head (#10-32 x 1/2")	1	12
9			NLA - Bracket, Mounting, Black	1	2
11			NLA - Screw, Hex Head (1/4-20 x 1-1/8")	1	6
12			Half Clamp, Non-Threaded Holes	1	2
13			NLA - Half Clamp, Threaded Holes	1	2
14			Screw, Socket Flat Head (1/4-20 x 1/2")	1	4
15			Pad, Lateral Support - Large (6" W x 5" H)	1	2
2	B	1107245	Kit, Swingaway Bracket Assembly with Offset Brackets, Cane Clamp - Right	1	1
3			Bracket, Extension Offset, Black (2")	1	1
4			NLA - Bracket, Extension Offset, Black (1")	1	1
5			NLA - Bracket, Extension Offset, Black (1/2")	1	1
6			Bracket, Flush Mount, Black	1	1
7			NLA - Bracket, Swingaway, Cane Clamp, Black - Right	1	1

Lateral Support Assembly

Tarsys

Item Number	Note	Part Number	Description	Quantity Per	
				Package	Assembly
8			NLA - Screw, Socket Flat Head (#10-32 x 1/2")	1	6
9			NLA - Bracket, Mounting, Black	1	1
11			NLA - Screw, Hex Head (1/4-20 x 1-1/8")	1	3
12			Half Clamp, Non-Threaded Holes	1	1
13			NLA - Half Clamp, Threaded Holes	1	1
2	B	1107246	Kit, Swingaway Bracket Assembly with Offset Brackets, Cane Clamp - Left	1	1
3			Bracket, Extension Offset, Black (2")	1	1
4			NLA - Bracket, Extension Offset, Black (1")	1	1
5			NLA - Bracket, Extension Offset, Black (1/2")	1	1
6			Bracket, Flush Mount, Black	1	1
7			NLA - Bracket, Swingaway, Cane Clamp, Black - Left	1	1
8			NLA - Screw, Socket Flat Head (#10-32 x 1/2")	1	6
9			NLA - Bracket, Mounting, Black	1	1
11			NLA - Screw, Hex Head (1/4-20 x 1-1/8")	1	3
12			Half Clamp, Non-Threaded Holes	1	1
13			NLA - Half Clamp, Threaded Holes	1	1
10	C	1107117	Kit, Lateral Support Mounting Hardware	1	1
11			NLA - Screw, Hex Head (1/4-20 x 1-1/8")	1	3
12			Half Clamp, Non-Threaded Holes	1	1
13			NLA - Half Clamp, Threaded Holes	1	1
NOTE: A - Includes items 3-9 and 11-15 B - Includes items 3-9 and 11-13 C - Includes items 11-13					

Seat Positioning Straps



Seat Positioning Straps

Item Number	Note	Part Number	Description	Quantity Per	
				Package	Assembly
1	A	1004310	Strap, Positioning, Seat/Chest w/ Auto Style Push Button Buckle (Eyelet to Eyelet Length 48")	1	1
1	B	1034625	Strap, Positioning, Seat/Chest w/ Auto Style Push Button Buckle (Eyelet to Eyelet Length 61")	1	1
1	B,E	1034752-NLA	NLA - Strap, Positioning, Seat/Chest w/ Airline Style Buckle (Eyelet to Eyelet Length 61")	1	1
1	C	1034745	Strap, Positioning, Seat/Chest w/ Hook and Loop Style Buckle (Eyelet to Eyelet Length 61")	1	1
2		1037610	Screw, Hex Head (1/4-20 x 1-5/8")	1	2
3		1025736	Locknut (1/4-20)	1	2
4	D	1026298	Package, Screw with Washer (#10 x 7/8") (Pair)	2	1
NOTE: A - 16"-19" Wide B - 20"-22" Wide C - 16"-22" Wide D - Hardware used for mounting the Chest Positioning Strap E - 1034752 Airline Buckle Style is No Longer Available. Use Auto Style part number 1034625 as a replacement.					

Power Wheelchair Tool Kit

1



Multimeter with Leads



Grounding Wire



1" Test Leads



Protractor/Angle Locator



Invacare Pen Light



Invacare Tape Measure



Invacare Phillips/Flat Head Screwdriver



MKIV Programmer



Virtual Service Charger Cable

Power Wheelchair Tool Kit

Item Number	Note	Part Number	Description	Quantity Per	
				Package	Assembly
1		1125222-NLA	NLA - Kit, Power Wheelchair Tool Includes: 1 ea. Multimeter with Leads 1 ea. Locator, Protractor/Angle Magnetic Base 1 ea. Instructions, MKIV Programmer 1 ea. Wire, Grounding with Hand Strap and Clip 1 ea. Leads, 1" Test 1 ea. Light, Pen with Invacare Logo 1 ea. Tape Measure, Compact with Invacare Logo 1 ea. Screwdriver, Pen-Size Phillips/Flat Head 1 ea. Cable, Virtual Service Charger/Modem	1	1

Invacare Corporation

www.invacare.com



Yes, you can.

One Invacare Way
Elyria, Oh USA
44036-2125
800-333-6900

Technical Support
800-832-4707
Florida Technical Support
407-321-5630

Customer Service
800-333-6900

© 2022 Invacare Corporation. All rights reserved. Republication, duplication or modification in whole or in part is prohibited without prior written permission from Invacare. Trademarks are identified by ™ and ®. All trademarks are owned by or licensed to Invacare Corporation or its subsidiaries unless otherwise noted. (Revised 11/01/22)

Form No. 01-039