

**Tarsys®
Weight Shifting Basic Tilt
Powered Seating**

**For
2G Storm Series®,
Ranger II™ MWD,
Pronto™ R2™**

Powered Wheelchairs



Yes, you can.

Parts Catalog Usage Guide

The information contained in this document is subject to change without notice. This catalog contains service parts for Form No. 00-68. If you have any questions regarding this catalog, please contact one of our Customer Service Representatives.

For Customer Service Support Call:

1-800-333-6900

For Faxed In Orders Call:

1-800-678-4682 or

1-440-366-0709

For Technical Service Call:

1-800-832-4707

Literature Can Be Found at:

www.invacare.com or

1-800-828-6272

SYMBOL DEFINITION

Throughout this catalog you will notice letters to draw your attention to specific footnotes which are located at the bottom of the page or below specified charts.

Examples:

A,B,C etc. = Special Comments

NOTE: = General information pertaining to that specific page

NLA = No Longer Available

HARDWARE MEASUREMENTS

The measurements for the hardware will be listed as follows:

Screws, Bolts Diameter X Thread Count/Pitch X Length

Washers Inside Diameter X Outside Diameter X Thickness

Spacers Inside Diameter X Outside Diameter X Length

For your convenience, we have supplied an area for you to list your Invacare Representatives.

Name	Phone Numbers

© 2022 Invacare Corporation. Elyria, Ohio. Invacare, Yes, you can., Storm Series, the Blue Medallion Design, Arrow, and Tarsys are registered trademarks and MKIV, Ranger II, and Pronto are trademarks of Invacare Corporation. and Otto Bock is a registered trademark of Otto Bock Orthopaedische Industrie GMBH & Co.. Molex is a registered trademark of Molex Corporation.

TABLE of CONTENTS

Description	Page Number
Accessories - Arm Pads - Otto Bock	104
Accessories - Headrest Support Assembly - A.B.S. Curved Back	106
Accessories - Headrest Support Assembly - Back Cane Only Option	108
Accessories - Headrest Support Assembly - Profile Back	110
Accessories - Lateral Support Assembly - Tarsys	114
Accessories - Lateral Support Assembly - Otto Bock	112
Accessories - Miscellaneous	121
Accessories - Power Wheelchair Tool Kit	119
Accessories - Universal Adapters For A.B.S. Curved and Profile Backs	116
Arms - Flip Back (After 10/14/98)	20
Arms - Non-Flip Back (Before 10/15/98)	17
Backs - ABS Curved	23
Backs - Profile - Fixed	26
Canes - Back	15
Electronics - Mid-Line Swing Bracket Assembly	102
Electronics - MK IV Recliner Controller and Recliner Cable	95
Electronics - Quad Link (QLA) After 4/06/06	100
Electronics - Quad Link Assembly Before 4/07/06	97
Electronics - Single Function Toggle Switch After 2/15/98	93
Electronics - Single Function Toggle Switch Before 2/16/98 and DAD Box	91
Frames - Seat and Hardware - 2nd Generation Storm, Ranger II MWD and Pronto R2	7

TABLE of CONTENTS

Description	Page Number
Frames - Seat Attaching Hardware and Tilt Actuator (2nd Gen. Storm)	9
Frames - Seat Attaching Hardware and Tilt Actuator (RII MWD and ProntoR2)	12
Front Riggings - Adjustable Angle Footplates (AT5543) 60 Degree HD, 60 Degree MFX, 70 Degree MFX, PW93, PW93E and 90 Degree Swingaway Supports	70
Front Riggings - Adjustable Heel Loops	89
Front Riggings - Calf Pads and Attaching Hardware	53
Front Riggings - Flip-Up Footplates (AT5043) - 70 Degree MFX and 90 Degree Swingaway Supports	68
Front Riggings - Footboard Assembly 16"-18" Deep - 90 WSBT	77
Front Riggings - Footboard Assembly Kit, 16" - 22" Deep - 90 WSBT	83
Front Riggings - Footboard Assembly, 19"- 22" Deep - 90 WSBT	80
Front Riggings - Footrest Support Assemblies - Center Pivot Sector Riggings	42
Front Riggings - Footrest Supports - Pin and Saddle - P93M	61
Front Riggings - Footrest Supports - Pin and Saddle - PW93	55
Front Riggings - Footrest Supports - Pin and Saddle - PW93E	59
Front Riggings - Footrest Supports - Pin and Saddle - PW93ST	57
Front Riggings - Front Rigging Hanger Assembly - Center Pivot Sector, 90WSBT Footboard, Pin & Saddle Style	40
Front Riggings - Legrest Release Handles and Ratchets	51
Front Riggings - Legrest Supports - Center Pivot Sector - AT5544	45
Front Riggings - Legrest Supports - Pin and Saddle - P904A	47
Front Riggings - Legrest Tube Support Assembly - 90 WSBT	75
Front Riggings - Legrests, Articulating - Pin and Saddle - PAS4A/PAL4A	49
Front Riggings - One Piece Wooden Footboard and Hardware - S1263	72

TABLE of CONTENTS

Description	Page Number
Front Riggings - Pivot/ Slide Tube and STD. (1650), Deluxe (1450) and X-Large (1350) Aluminum Footplates	65
Front Riggings - Pivot/Silde Tube and Composite (1651) Footplates	63
Front Riggings - Reference Chart - 2G Storm and (RII MWD Before 3/1/00) Center Pivot Sector Riggings	30
Front Riggings - Reference Chart - 2G Storm and (RII MWD Before 3/1/00) Pin and Saddle Riggings	33
Front Riggings - Reference Chart - Pronto R2 and (RII MWD After 2/29/00) Center Pivot Sector Riggings	37
Front Riggings - Reference Chart - Pronto R2 and (RII MWD After 2/29/00) Pin and Saddle Riggings	39
Front Riggings- Footrest and Legrest Accessories	84
Packaging - Literature - Frame Finishes and Touch-Up Paint	5
Seat Pans and Extensions	28

Packaging, Literature, Frame Finishes and Touch-Up Paint

Packaging and Literature

Item Number	Note	Part Number	Description	Quantity Per	
				Package	Assembly
	A	0310600	Carton	1	1
	A	0310400	Insert, Carton	1	1
	A	0289400	Lid, Carton	1	2
	A	0289300	Carton, Skid Pack Sleeve	1	1
	A	0162400-NLA	NLA - Carton, Outer Pack	1	1
	A	1068591-NLA	NLA - Operator & Maintenance Manual	1	1
	A	See Chart	Frame Finishes and Touch-Up Paint	1	1
	A	See Chart	Sparkle Frame Finishes	1	1

NOTE: A - Not shown.

NOTE: When adjusting or replacing parts, please refer to your Owner's Manual for assistance.

Frame Finishes and Touch-Up Paint

Color Number	Part Number	Bottle Size	Color
02P	1031452-NLA	.6 oz.	Pink Pearl
06P	1031454-NLA	.6 oz.	Super Teal
08P	1031456-NLA	.6 oz.	Deep Purple
17P	1046319-NLA	.6 oz.	Cobalt Blue
22P	1033376-NLA	.6 oz.	Anthracite
24P	1031450-NLA	.6 oz.	Wet Black
29P	1031447-NLA	.6 oz.	White
33P	1031455-NLA	.6 oz.	Red
34P	1046327-NLA	.6 oz.	Flat Black
61P	1046321-NLA	.6 oz.	Electric Red
62P	1046320-NLA	.6 oz.	Electric Blue
64P	1046324-NLA	.6 oz.	Metallic Blue
69P	1101320-NLA	.6 oz.	Teflon Black
71P	N/A	N/A	Silver Vein
80P	1073892-NLA	.6 oz.	Evergreen w/Navy
81P	1073893-NLA	.6 oz.	Dark Olive w/Cooper
82P	1073894-NLA	.6 oz.	Fruit Punch w/Fucshia
83P	1073895-NLA	.6 oz.	Royal Blue w/Grape
84P	1073896-NLA	.6 oz.	Lavender
101P	1101325-NLA	.6 oz.	Jeweled Green
102P	1101327-NLA	.6 oz.	Denim Blue
103P	1101324-NLA	.6 oz.	Mocha Frost
104P	1101316-NLA	.6 oz.	Electric Teal
105P	1101326-NLA	.6 oz.	Midnight Blue

Pronto R2 front rigging finish comes in 24P wet black only.

Packaging, Literature, Frame Finishes and Touch-Up Paint

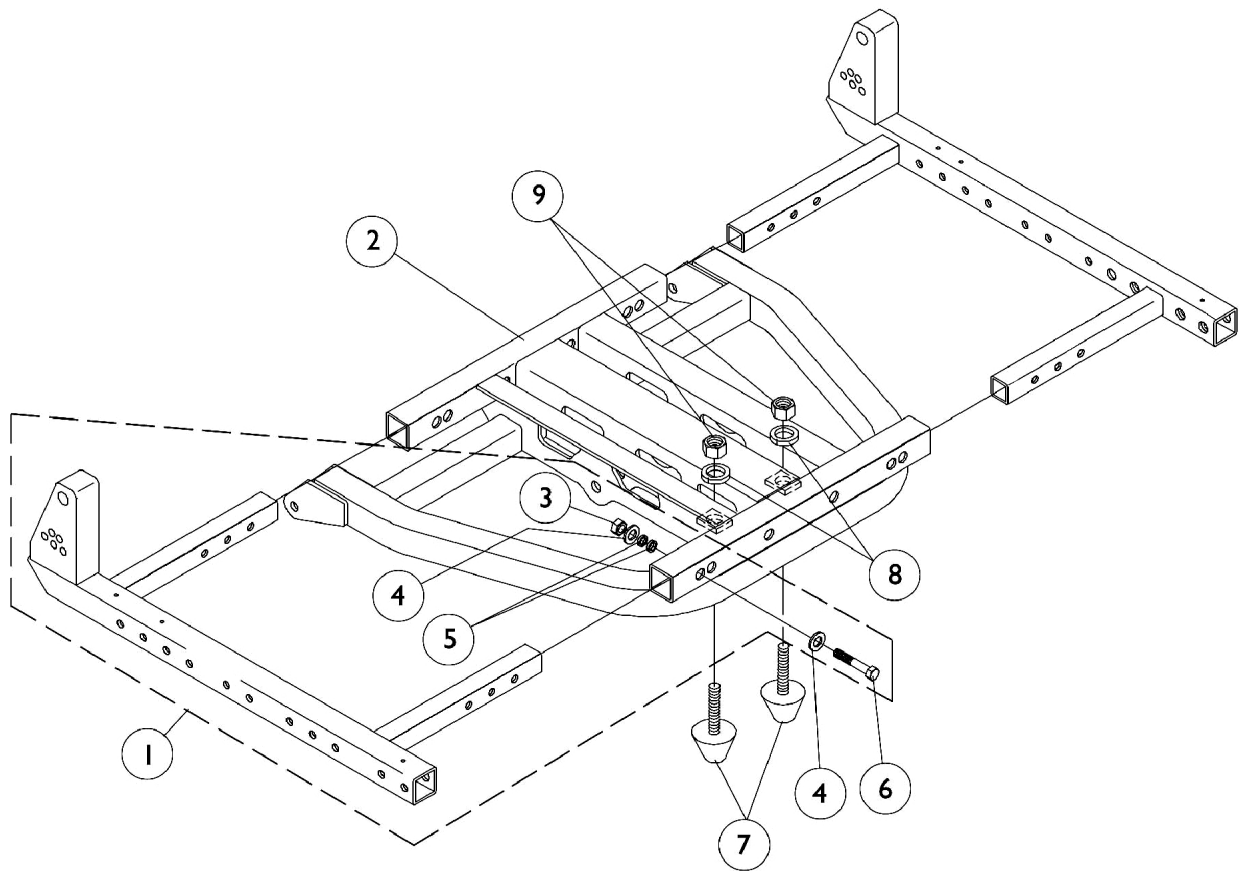
Sparkle Frame Finishes

Color Number	Color
72P	Twilight Sparkle
73P	Gold Sparkle
74P	Green Sparkle
75P	Blue Sparkle
76P	Red Sparkle
88P	Wet Black w/ Twilight Sparkle

Seat Frame and Hardware

2nd Generation Storm, Ranger II MWD and Pronto R2

NOTE: Ranger II MWD and Pronto R2 share all the components on this page with the 2nd Generation Storm except items 7-9.



Seat Frame and Hardware

2nd Generation Storm, Ranger II MWD and Pronto R2

NOTE: Ranger II MWD and Pronto R2 share all the components on this page with the 2nd Generation Storm except items 7-9.

Item Number	Note	Part Number	Description	Quantity Per	
				Package	Assembly
1	A	See Chart	#1 Seat Side Frame and Hardware	1	1
2		1068142-NLA	NLA - Frame, Seat, Black (14" - 20" W)	1	1
2		1068163-NLA	NLA - Seat Frame, 21" - 22" Wide	1	1
3		1025736	Locknut (1/4-20)	1	2
4		0050406	Washer, Flat (1/4 x 5/8 x 1/16")	1	4
5		0050506-NLA	NLA - Lockwasher, High Collar, Split (1/4")	1	4
6		0051006-NLA	NLA - Screw, Hex Head Full Thread (1/4-20 x 1-1/2")	1	2
7		0225100-NLA	NLA - Bumper, Tilt	1	2
8		1077358	Lockwasher, Split (3/8-16)	1	2
9		1077359	Nut, Hex (3/8-16)	1	2

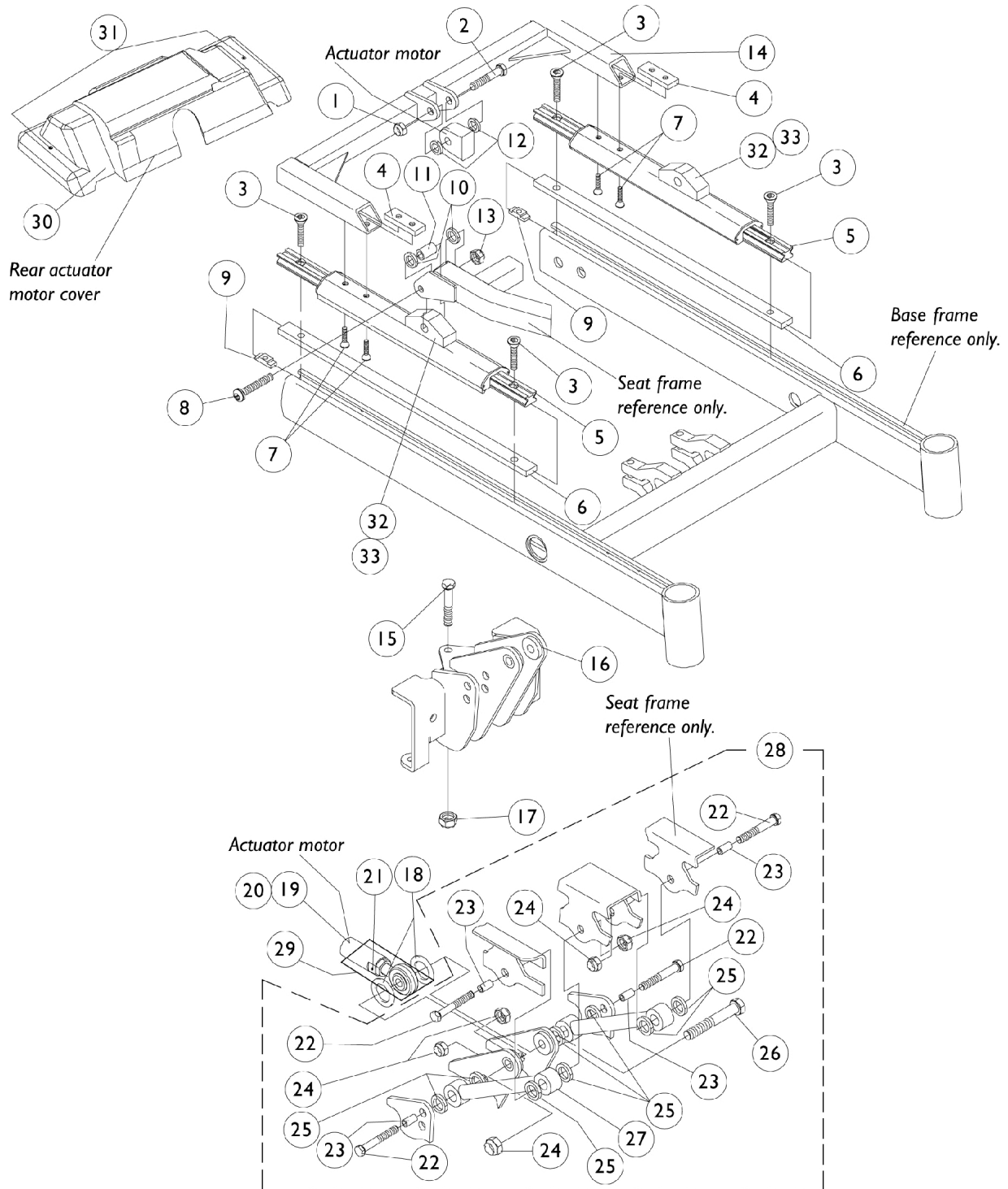
NOTE: A - Includes seat side frame and items 3-6

#1 Seat Side Frame and Hardware

Chair Depth	14"-15" Width Right	14"-15" Width Left	16"-22" Width Right	16"-22" Width Left
14"-15" Depth	1072933-NLA	1072934-NLA	N/A	N/A
16"-20" Depth	1072931-NLA See Note(s) A	1072932-NLA See Note(s) A	1072744-NLA	1072745-NLA
21"-22" Depth	N/A	N/A	1072807-NLA	1072808-NLA

NOTE: A - When part number 1072931 or 1072932 are required, call Invacare Customer Service and order as a "Special Order".

Seat Frame Attaching Hardware 2nd Generation Storm



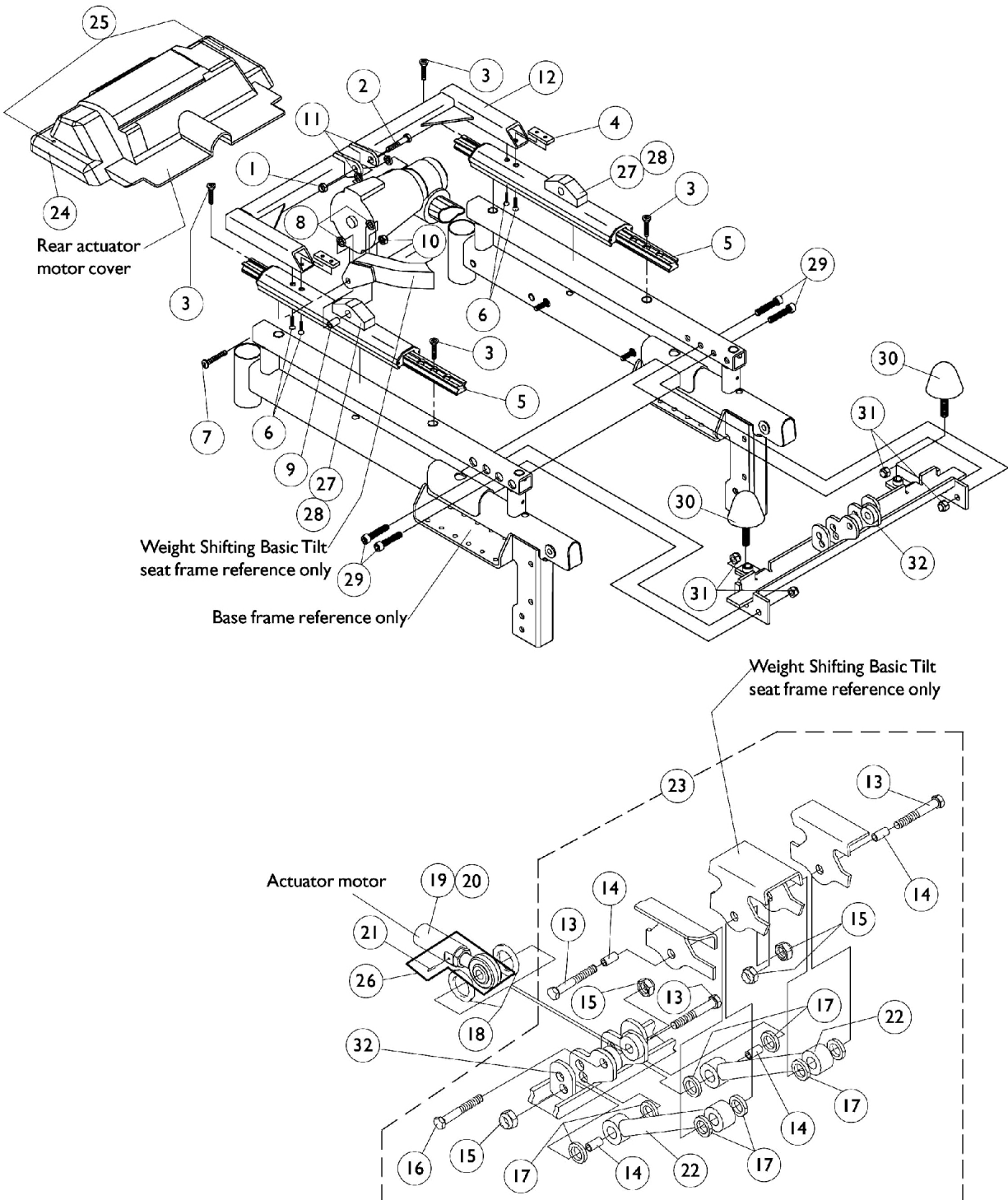
Seat Frame Attaching Hardware 2nd Generation Storm

Item Number	Note	Part Number	Description	Quantity Per	
				Package	Assembly
1		0054106-NLA	NLA - Locknut, High Profile (3/8-16)	1	1
2		1106223	Screw, Socket Head (3/8-16 x 2-1/2")	1	1
3		1117326-NLA	NLA - Screw, Socket Head w/ Patch (5/16-18 x 7/8")	1	6
4		1068139-NLA	NLA - Clamping Bar, Actuator Frame	1	2
5	A,B	1087922-NLA	NLA - Guidance Assembly - Right or Left	1	2
6		1068114-NLA	NLA - Shim, Seat Slide, Lower Extrusion	1	2
7		0195606-NLA	NLA - Screw, Socket, Cap, Flat Head (1/4-20 x 3/4")	1	4
8		0055506-NLA	NLA - Screw, Button Head, Socket (5/16-18 x 2")	1	2
9		1069724	T-Nut (5/16-18)	1	6
10		0055800-NLA	NLA - Washer, Nylon (7/16 x 3/4 x 3/32")	1	4
11		1068116-NLA	NLA - Bushing (5/16 x 7/16 x 1")	1	2
12		0053900-NLA	NLA - Washer, Nylon (3/8 x 13/16 x 1/16")	1	2
13		0054906	Locknut, High Profile (5/16-18)	1	2
14		1068143-NLA	NLA - Frame, Actuator, 2G Storm, Black	1	1
15		0139806-NLA	NLA - Screw, Hex Head (5/16-18 x 3")	1	1
16		1068144-NLA	NLA - Link, Standard, Black - Front (15 - 16" D)	1	1
16		1068145-NLA	NLA - Link, 1" Rearset - Front (17 - 18" D)	1	1
16		1068146-NLA	NLA - Link, 2" Rearset - Front (19 - 20" D)	1	1
17		0054906	Locknut, High Profile (5/16-18)	1	1
18		0056000-NLA	NLA - O-Ring (1/2 x 7/8 x 3/16")	1	2
19	F	1154068-NLA	NLA - Kit, Actuator Motor, 6-1/2" Stroke Actuator Motor Assembly (6-1/2" Stroke)	1	1
21			NLA - Pin, Roll (1/8" x 7/8")	1	1
			Instruction Sheet, PTO Actuator Installation	1	1
20	C	1077780-NLA	NLA - Kit, Actuator Motor, 6-1/2" Stroke w/ Mounting Hardware Actuator Motor Assembly (6-1/2" Stroke)	1	1
1			NLA - Locknut, High Profile (3/8-16)	1	1
2			Screw, Socket Head (3/8-16 x 2-1/2")	1	1
11			NLA - Washer, Nylon (3/8 x 13/16 x 1/16")	1	2
18			NLA - O-Ring (1/2 x 7/8 x 3/16")	1	2
21			NLA - Pin, Roll (1/8" x 7/8")	1	1
			Instruction Sheet, PTO Actuator Installation	1	1
21		1028848-NLA	NLA - Pin, Roll (1/8" x 7/8")	1	1
22		0258306-NLA	NLA - Screw, Hex Head (3/8-16 x 1-3/4")	1	4
23		0120300	Bushing (3/8 x 1/2 x 7/8")	1	4
24		0054106-NLA	NLA - Locknut, High Profile (3/8-16)	1	5
25		0139900	Washer, Nylon (1/2 x 3/4 x 3/32")	1	8
26		1106223	Screw, Socket Head (3/8-16 x 2-1/2")	1	1
27		1068141-NLA	NLA - Link, Black	1	2
28	D	1077773-NLA	NLA - Link Assembly, Weight Shift Basic Tilt	1	1
29		0313900-NLA	NLA - Rod, End with Locknut and Roll Pin	1	1

Seat Frame Attaching Hardware 2nd Generation Storm

Item Number	Note	Part Number	Description	Quantity Per	
				Package	Assembly
30	E	1084184-NLA	NLA - Cover w/ Attaching Hardware, Rear Actuator, MWD	1	1
31		1072695-NLA	NLA - Screw, Phillips Pan Head Tap (#6 x 1/2")	1	2
32		1064694	Block, Pivot, Linear Guidance	1	2
33		1102887	Screw, Socket Flat Head (1/4-20 x 1/2")	1	4
<p>NOTE: A - Guidance assembly changed 11/09/99 replacing right/left side part numbers with one universal part number and serves as a direct replacement for chairs manufactured before 11/09/99 as well. B - Includes Linear Guidance, Pivot Block and Screws. C - Includes Actuator Assembly and Items 1, 2, 12, 18, 21, and Instruction Sheet. D - Includes Items 22-27 E - Includes Item 31 F - Includes Actuator Assembly, item 21, and Instruction Sheet.</p>					

Seat Frame Attaching Hardware



Seat Frame Attaching Hardware

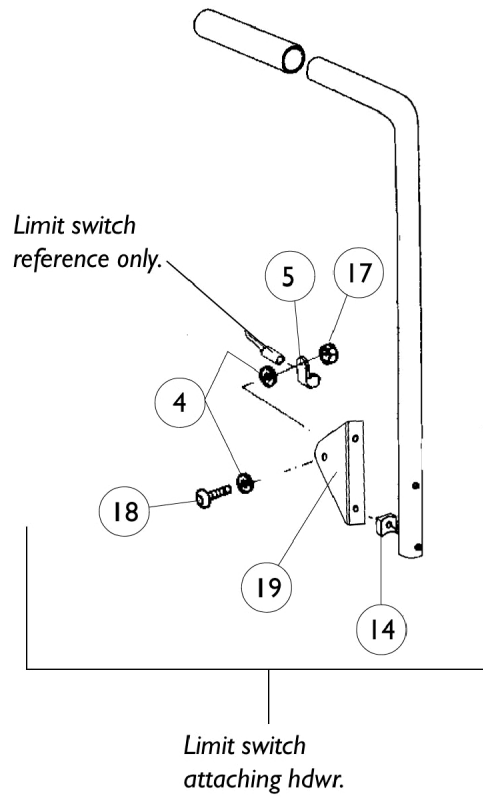
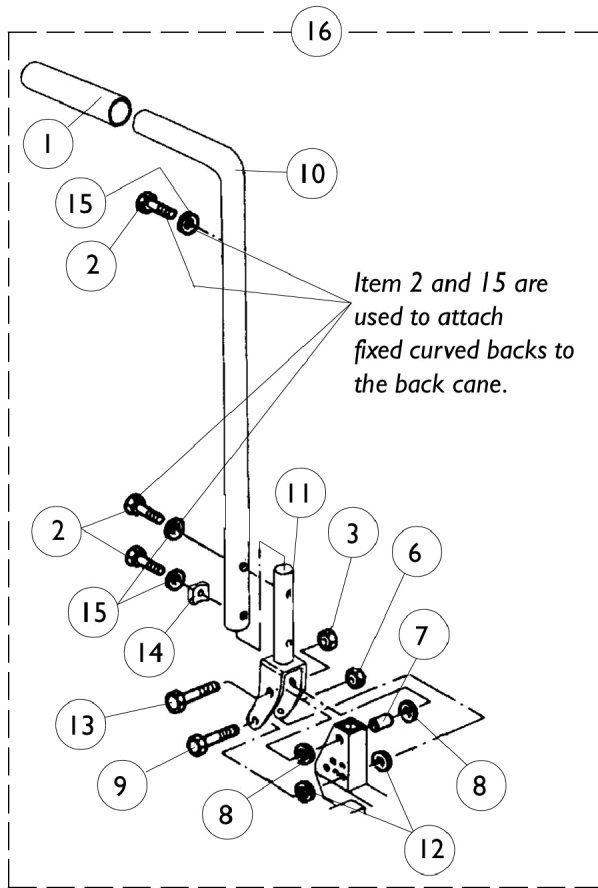
Ranger II MWD and Pronto R2

Item Number	Note	Part Number	Description	Quantity Per	
				Package	Assembly
1		0054106-NLA	NLA - Locknut, High Profile (3/8-16)	1	1
2		1106223	Screw, Socket Head (3/8-16 x 2-1/2")	1	1
3		1117326-NLA	NLA - Screw, Socket Head w/ Patch (5/16-18 x 7/8")	1	6
4		1068139-NLA	NLA - Clamping Bar, Actuator Frame	1	2
5	A,B	1087922-NLA	NLA - Guidance Assembly - Right or Left	1	2
6		0195606-NLA	NLA - Screw, Socket, Cap, Flat Head (1/4-20 x 3/4")	1	4
7		0055506-NLA	NLA - Screw, Button Head, Socket (5/16-18 x 2")	1	2
8		0055800-NLA	NLA - Washer, Nylon (7/16 x 3/4 x 3/32")	1	4
9		1068116-NLA	NLA - Bushing (5/16 x 7/16 x 1")	1	2
10		0054906	Locknut, High Profile (5/16-18)	1	2
11		0053900-NLA	NLA - Washer, Nylon (3/8 x 13/16 x 1/16")	1	2
12		1068143-NLA	NLA - Frame, Actuator, 2G Storm, Black	1	1
13		0258306-NLA	NLA - Screw, Hex Head (3/8-16 x 1-3/4")	1	3
14		0120300	Bushing (3/8 x 1/2 x 7/8")	1	4
15		0054106-NLA	NLA - Locknut, High Profile (3/8-16)	1	4
16		1106223	Screw, Socket Head (3/8-16 x 2-1/2")	1	1
17		0139900	Washer, Nylon (1/2 x 3/4 x 3/32")	1	8
18		0056000-NLA	NLA - O-Ring (1/2 x 7/8 x 3/16")	1	2
19	E	1154068-NLA	NLA - Kit, Actuator Motor, 6-1/2" Stroke	1	1
			Actuator Motor Assembly (6-1/2" Stroke)	1	1
21			NLA - Pin, Roll (1/8" x 7/8")	1	1
			Instruction Sheet, PTO Actuator Installation	1	1
20	C	1077780-NLA	NLA - Kit, Actuator Motor, 6-1/2" Stroke w/ Mounting Hardware	1	1
			Actuator Motor Assembly (6-1/2" Stroke)	1	1
1			NLA - Locknut, High Profile (3/8-16)	1	1
2			Screw, Socket Head (3/8-16 x 2-1/2")	1	1
11			NLA - Washer, Nylon (3/8 x 13/16 x 1/16")	1	2
18			NLA - O-Ring (1/2 x 7/8 x 3/16")	1	2
21			NLA - Pin, Roll (1/8" x 7/8")	1	1
			Instruction Sheet, PTO Actuator Installation	1	1
21		1028848-NLA	NLA - Pin, Roll (1/8" x 7/8")	1	1
22		1068141-NLA	NLA - Link, Black	1	2
23		1081499	Link Assembly, Weight Shift Tilt	1	1
24	D	1084185-NLA	NLA - Cover w/ Attaching Hardware, Rear Actuator	1	1
25		1072695-NLA	NLA - Screw, Phillips Pan Head Tap (#6 x 1/2")	1	2
26		0313900-NLA	NLA - Rod, End with Locknut and Roll Pin	1	1
27		1064694	Block, Pivot, Linear Guidance	1	2
28		1102887	Screw, Socket Flat Head (1/4-20 x 1/2")	1	4
29		1021344	Screw, Socket Head (5/16-18 x 1-1/2")	1	4
30		0225100-NLA	NLA - Bumper, Tilt	1	2
31		1026158	Locknut (5/16-18)	1	4

Seat Frame Attaching Hardware

Item Number	Note	Part Number	Description	Quantity Per	
				Package	Assembly
32		1098615-NLA	NLA - Bracket, Link w/ Caution Decal, Black	1	1
NOTE: A - Guidance assembly changed 11/09/99 replacing right/left side part numbers with one universal part number and serves as a direct replacement for chairs manufactured before 11/09/99 as well. B - Includes Linear Guidance, Pivot Block and Screws C - Includes Actuator Assembly and items 1, 2, 11, 18, 21 and Instruction Sheet D - Includes Items 25 E - Includes Actuator Assembly, item 21 & Instruction Sheet					

Back Cane Assembly

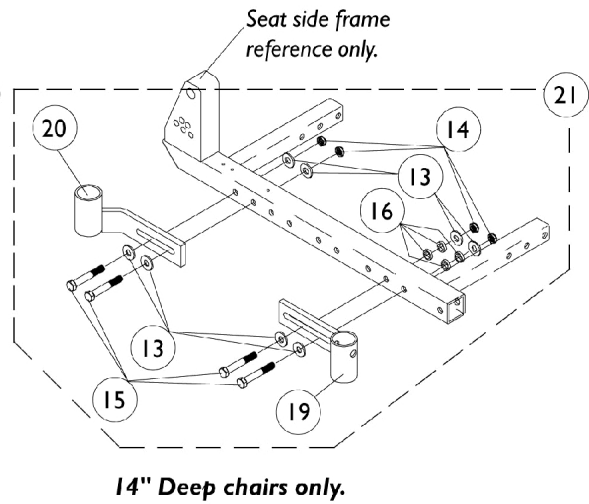
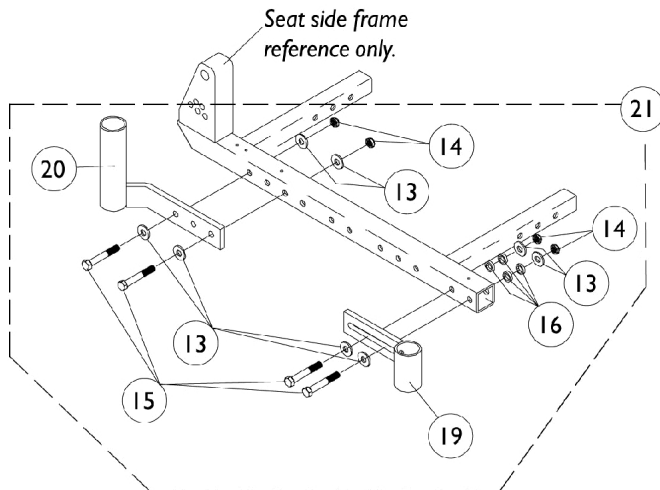
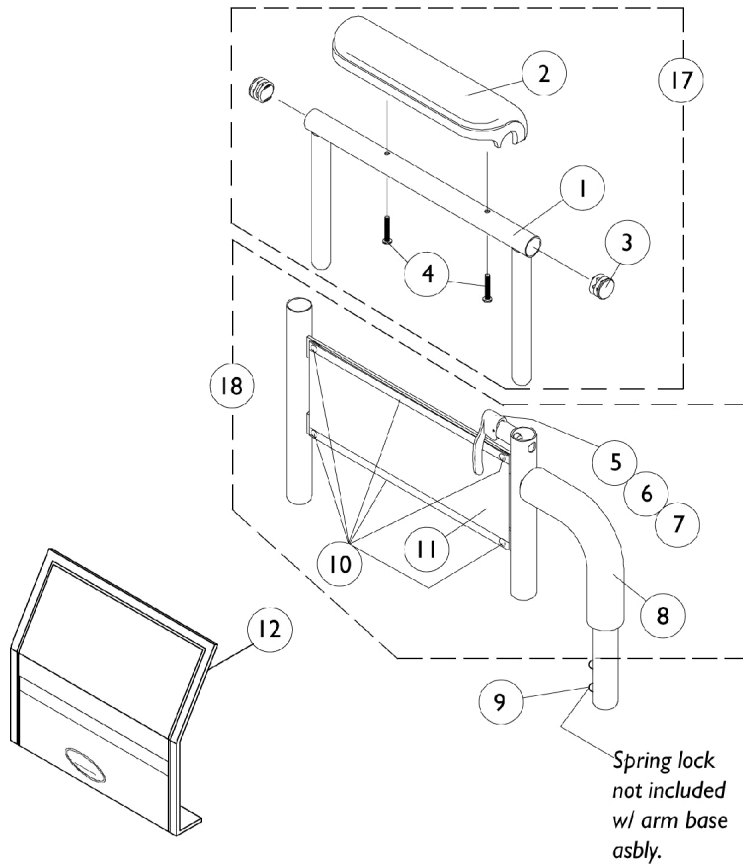


Back Cane Assembly

Item Number	Note	Part Number	Description	Quantity Per	
				Package	Assembly
1		0014500-NLA	NLA - Grip, Hand	1	1
2		0053006-NLA	NLA - Screw, Hex Head (1/4-20 x 3/4")	1	3
3		7930333	Locknut (1/4-20)	25	1
4		0050006-NLA	NLA - Lockwasher, External Star (1/4")	2	2
5		0062800-NLA	NLA - Bracket, Cable/Wire Mounting, Black	1	1
6		0054906	Locknut, High Profile (5/16-18)	1	1
7		0060600	Bushing (7/16 x 5/16 x 1-1/4")	1	1
8		0055800-NLA	NLA - Washer, Nylon (7/16 x 3/4 x 3/32")	1	4
9		0055506-NLA	NLA - Screw, Button Head, Socket (5/16-18 x 2")	1	1
10		0309902-NLA	NLA - Back Cane Assembly	1	1
11		0116702-NLA	NLA - Post, Mounting	1	1
12		0054700-NLA	NLA - Washer, Nylon (5/16 x 1/2 x 1/16")	1	4
13		0052606-NLA	NLA - Screw, Hex Head (1/4-20 x 2")	1	1
14		0049824-NLA	NLA - Spacer, Coved (1/4 x 3/4 x 7/16")	1	1
15		0050506-NLA	NLA - Lockwasher, High Collar, Split (1/4")	1	3
16		1072788-NLA	NLA - Back Cane Assembly	1	1
17		7930332-NLA	NLA - Locknut, High Profile (#10-32)	25	1
18		0139306-NLA	NLA - Screw, Socket Button Head (#10-32 x 3/4")	1	1
19		0003002-NLA	NLA - Bracket, Mounting, Black - Right	1	1

Armrest Assembly

Non-Flip Back Arms Before 10/15/98



Armrest Assembly

Non-Flip Back Arms Before 10/15/98

Item Number	Note	Part Number	Description	Quantity Per	
				Package	Assembly
1		1041522	Arm Tube Assembly w/ Plug Buttons, Full Length, Black - Right/Left	1	1
1		1070859	Arm Tube Assembly w/ Plug Buttons, Desk Length, Black - Right/Left	1	1
2	A	1117328	Kit, Arm Pad w/ Screws, Full Length, Urethane Waterfall, Black (13" L x 2-5/8" W)	1	1
2		1110818	Kit, Arm Pad w/ Screws, Full Length, Urethane Waterfall, Black (13" L x 2-5/8" W) (Pair)	2	1
2	A	1117327	Kit, Arm Pad w/ Screws, Desk Length, Urethane Waterfall, Black (9" L x 2-5/8" W)	1	1
2		1110817	Kit, Arm Pad w/ Screws, Desk Length, Urethane Waterfall, Black (9" L x 2-5/8" W) (Pair)	2	1
3		1027095	Plug Button, Black (7/8")	1	2
4		1055949	Package, Screw, Phillips Pan Head (#10-32 x 1-3/8")	2	1
4	B	1094270-NLA	NLA - Package, Screw, Phillips Pan Head (#10-32 x 1-1/4")	2	1
5		1090768	Kit, Lock Handle w/Rivets (Pair)	2	1
6		47471X074	Spring, Arm Lock	1	1
7		1028594	Pin, Arm Lock, Black	1	1
8		1032245	Grip, Foam Hand (6-7/8" L)	1	1
9		1018225	Spring, Torsion with Button Lock	1	1
10		1028645	Rivet	1	6
11		1064130-NLA	NLA - Guard, Clothing	1	1
12		1035065	Cover, Clothing Guard w/ Pocket, FXDESK & ADJFULL/ADJDESK	1	1
13		0050406	Washer, Flat (1/4 x 5/8 x 1/16")	1	8
14		7930333	Locknut (1/4-20)	25	4
15		1024793-NLA	NLA - Screw, Hex Head (1/4-20 x 1-3/4")	1	4
16		0050506-NLA	NLA - Lockwasher, High Collar, Split (1/4")	1	4
17-21		See Chart	Item #'s 17-21 Armrest Assembly - Non-Flip Back Arms Before 10/15/98	1	1

NOTE: A - As of 1/3/02 upholstered waterfall armpads were replaced with black urethane waterfall armpads. Order in pairs with screws for chairs serviced before 1/3/02.
 B - For Black Urethane Waterfall Arm Pads Only

Item #'s 17-21 Arms

Side	17. Arm Tube w/ Arm Pad - Full Length	17. Arm Tube w/ Arm Pad - Desk Length	18. Arm Base Assembly	19. Armrest Socket - Front	20. Armrest Socket - Rear	21. Armrest Mtg. Hardware

Armrest Assembly

Non-Flip Back Arms Before 10/15/98

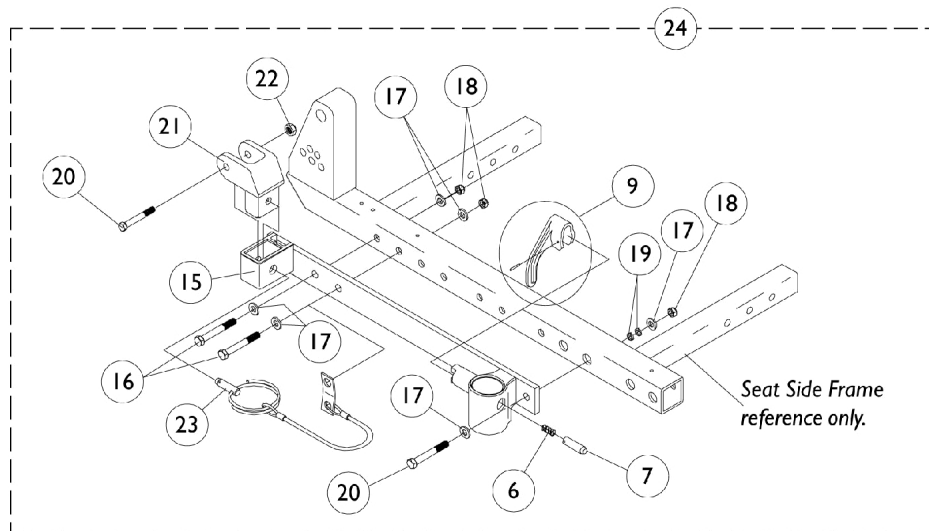
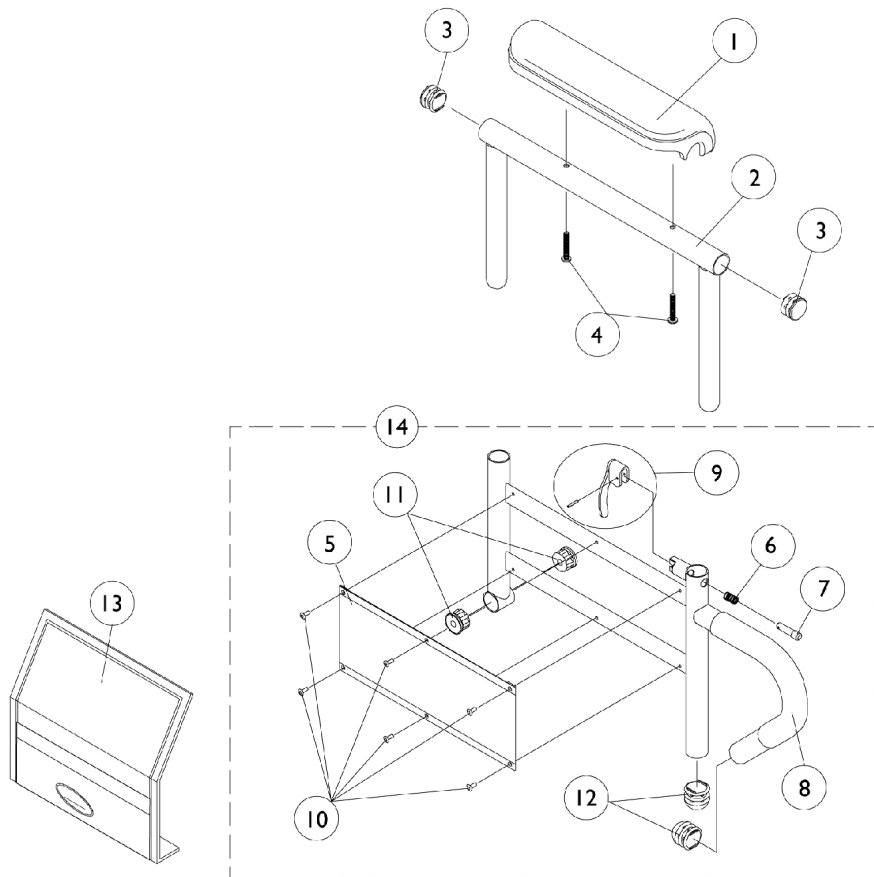
Item #'s 17-21 Arms

Side	17. Arm Tube w/ Arm Pad - Full Length	17. Arm Tube w/ Arm Pad - Desk Length	18. Arm Base Assembly	19. Armrest Socket - Front	20. Armrest Socket - Rear	21. Armrest Mtg. Hardware
Right 14" Deep	1110821-NLA See Note(s) A	1110819-NLA See Note(s) A	1072943-NLA	1072951-NLA	0121602-NLA	1072949-NLA
Left 14" Deep	1110822-NLA See Note(s) A	1110820-NLA See Note(s) A	1072944-NLA	1072952-NLA	0121502-NLA	1072950-NLA
Right 15" and Deeper	1110821-NLA See Note(s) A	1110819-NLA See Note(s) A	1057411-NLA	0121502-NLA	0121302-NLA	1072789-NLA
Left 15" and Deeper	1110822-NLA See Note(s) A	1110820-NLA See Note(s) A	1057412	0121602-NLA	0121402-NLA	1072930-NLA

NOTE: A - As of 1/3/02 upholstered waterfall armpads were replaced with black urethane waterfall armpads. Order right and left arm tube with arm pad for chairs serviced before 1/3/02.

Armrest Assembly

Flip Back Arms After 10/14/98



Armrest Assembly

Flip Back Arms After 10/14/98

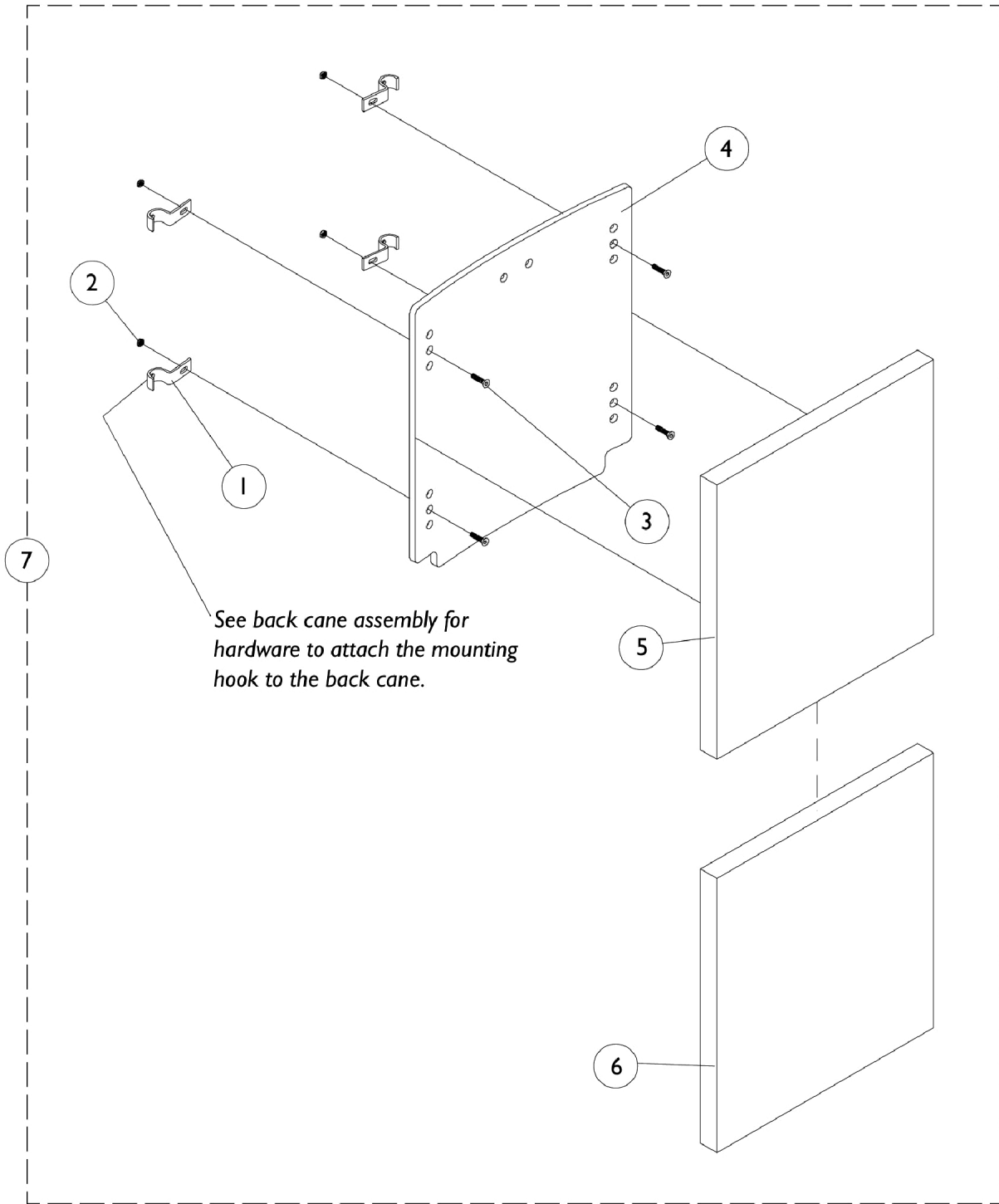
Item Number	Note	Part Number	Description	Quantity Per	
				Package	Assembly
1	A,B	1117328	Kit, Arm Pad w/ Screws, Full Length, Urethane Waterfall, Black (13" L x 2-5/8" W)	1	1
1	B	1110818	Kit, Arm Pad w/ Screws, Full Length, Urethane Waterfall, Black (13" L x 2-5/8" W) (Pair)	2	1
1	A,C	1117327	Kit, Arm Pad w/ Screws, Desk Length, Urethane Waterfall, Black (9" L x 2-5/8" W)	1	1
1	C	1110817	Kit, Arm Pad w/ Screws, Desk Length, Urethane Waterfall, Black (9" L x 2-5/8" W) (Pair)	2	1
2		1071253	Arm Tube Assembly w/ Plug Buttons, Full Length, Black - Right/Left	1	1
2		1070859	Arm Tube Assembly w/ Plug Buttons, Desk Length, Black - Right/Left	1	1
3		1027095	Plug Button, Black (7/8")	1	2
4		1055949	Package, Screw, Phillips Pan Head (#10-32 x 1-3/8")	2	1
4	D	1094270-NLA	NLA - Package, Screw, Phillips Pan Head (#10-32 x 1-1/4")	2	1
5		1064130-NLA	NLA - Guard, Clothing	1	1
6		47471X074	Spring, Arm Lock	1	1
7		1028594	Pin, Arm Lock, Black	1	1
8		1032244	Grip, Foam Hand (9" L)	1	1
9		1090768	Kit, Lock Handle w/Rivets (Pair)	2	1
10		1028645	Rivet	1	6
11		1065936	Plug, Pivot	1	2
12		1067734	Plug Button, Black (5/8")	1	2
13		1035065	Cover, Clothing Guard w/ Pocket, FXDESK & ADJFULL/ADJDESK	1	1
14		1068416	Arm Base Assembly, Black - Right (16-19" D)	1	1
14		1068417	Arm Base Assembly, Black - Left (16-19" D)	1	1
14		1068418	Arm Base Assembly, Black - Right (20" and Deeper)	1	1
14		1068419	Arm Base Assembly, Black - Left (20" and Deeper)	1	1
14		1067761	Arm Base Assembly, 1" Lower, Black - Right (16-19" D)	1	1
14		1067762	Arm Base Assembly, 1" Lower, Black - Left (16-19" D)	1	1
14		1067755-NLA	NLA - Arm Base Assembly, 1" Lower, Black - Right (20" and Deeper)	1	1
14		1067756-NLA	NLA - Arm Base Assembly, 1" Lower, Black - Left (20" and Deeper)	1	1
15		1078053-NLA	NLA - Receptacle, Flip Back Arm, Black - Right	1	1
15		1078052-NLA	NLA - Receptacle, Flip Back Arm, Black - Left	1	1
16		1024793-NLA	NLA - Screw, Hex Head (1/4-20 x 1-3/4")	1	3
17		0050406	Washer, Flat (1/4 x 5/8 x 1/16")	1	6

Armrest Assembly Flip Back Arms After 10/14/98

Item Number	Note	Part Number	Description	Quantity Per	
				Package	Assembly
18		7930333	Locknut (1/4-20)	25	3
19		0050506-NLA	NLA - Lockwasher, High Collar, Split (1/4")	1	2
20		1030949	Screw, Hex Head (1/4-20 x 1-1/2")	1	1
21		1068025	Clevis, Pivot	1	1
22		7930323-NLA	NLA - Package, Locknut (1/4-20)	25	1
23		1068039	Pin, Pull	1	1
24	E	1081427-NLA	NLA - Hardware, Armrest Mounting - Right	1	1
24	E	1081428-NLA	NLA - Hardware, Armrest Mounting - Left	1	1
NOTE: A - As of 1/3/02 upholstered waterfall armpads were replaced with black urethane waterfall armpads. Order in pairs with screws for chairs serviced before 1/3/02. B - Full Length C - Desk Length D - For Black Urethane Waterfall Arm Pads Only E - Includes Items 6, 7, 9 and 15-23					

ABS Curved Back Assembly

NOTE: Hook Fastener Adhesive Kit must be ordered when a Back Pan or Back Assembly is requested. This will allow the Loop Fastener Adhesive on the Back Cover to attach properly.



ABS Curved Back Assembly

**NOTE: Hook Fastener Adhesive Kit must be ordered when a Back Pan or Back Assembly is requested.
This will allow the Loop Fastener Adhesive on the Back Cover to attach properly.**

Item Number	Note	Part Number	Description	Quantity Per	
				Package	Assembly
1		0124202	Hook, Back Assembly Mounting	1	4
2		7930333	Locknut (1/4-20)	25	4
3		1029545	Screw, Socket Flat Head (1/4-20 x 3/4")	1	4
4-7		See Chart	Item #'s 4-7 A.B.S. Curved Back Assembly	1	1
	A,E	1125723	Kit, Hook Fastener w/ Adhesive Back	1	1
	A,B	0143900-NLA	NLA - Flap, Back Pan - Tarsys	1	1
	A,C	0144000-NLA	NLA - Flap, Back Pan - Tarsys	1	1
	A,D	0144100-NLA	NLA - Flap, Back Pan - Tarsys	1	1

NOTE: A - Not Shown
 B - 16-17" Wide
 C - 18-19" Wide
 D - 20-22" Wide
 E - Hook Fastener Adhesive Kit is used to attach the Back Cover to the Back Pan and must be ordered when a new Back Pan or Back Assembly is requested.

Item #'s 4-7 Back

Back Material Width x Height	Overall Back Height	4. Back Pan	5. 1" Back Foam	6. Back Cover	7. Back Assembly w/ Fixed Hardware
14" x 16"	18"-19" H	0048819-NLA	1073070	0010821-NLA	1073098-NLA
15" x 16"	18"-19" H	0048919-NLA	1073077-NLA	0011021-NLA	1073099
16" x 16"	18"-19" H	0049019-NLA	0009720	0011221-NLA	1072790-NLA
17" x 16"	18"-19" H	0049119	0009920-NLA	0011421-NLA	1072791
18" x 16"	18"-19" H	0049219-NLA	0010120-NLA	0011621-NLA	1072792-NLA
19" x 16"	18"-19" H	0049319	0010320-NLA	0011821-NLA	1072793
20" x 16"	18"-19" H	0049419-NLA	0009820-NLA	0012021-NLA	1072794-NLA
21" x 16"	18"-19" H	0049519-NLA	1073078	0304021-NLA	1073100-NLA
22" x 16"	18"-19" H	0049619	1073079	0164421-NLA	1073101
14" x 18"	20"-22" H	1073064-NLA	1073071-NLA	1073093	1073102-NLA
15" x 18"	20"-22" H	1073065-NLA	1073081-NLA	1077077	1073103-NLA
16" x 18"	20"-22" H	0118819-NLA	0010120-NLA	0124321-NLA	1072795-NLA
17" x 18"	20"-22" H	0118919-NLA	0126720-NLA	0124421-NLA	1072796-NLA
18" x 18"	20"-22" H	0119019-NLA	0126820-NLA	0124521-NLA	1072797-NLA
19" x 18"	20"-22" H	0119119-NLA	0126920	0124621-NLA	1072798-NLA
20" x 18"	20"-22" H	0119219-NLA	0010220-NLA	0124721-NLA	1072799-NLA
21" x 18"	20"-22" H	0119319-NLA	1073083-NLA	0304121-NLA	1073104-NLA
22" x 18"	20"-22" H	0119419	1073084-NLA	0304321-NLA	1073105
14" x 20"	23"-25" H	1073066-NLA	1073073	0010921-NLA	1073106-NLA
15" x 20"	23"-25" H	1073067-NLA	1073086-NLA	0011121-NLA	1073107-NLA
16" x 20"	23"-25" H	0125319-NLA	0009820-NLA	0011321-NLA	1072800-NLA
17" x 20"	23"-25" H	0125419-NLA	0010020-NLA	0011521-NLA	1072801
18" x 20"	23"-25" H	0125519-NLA	0010220-NLA	0011721-NLA	1072802-NLA

ABS Curved Back Assembly

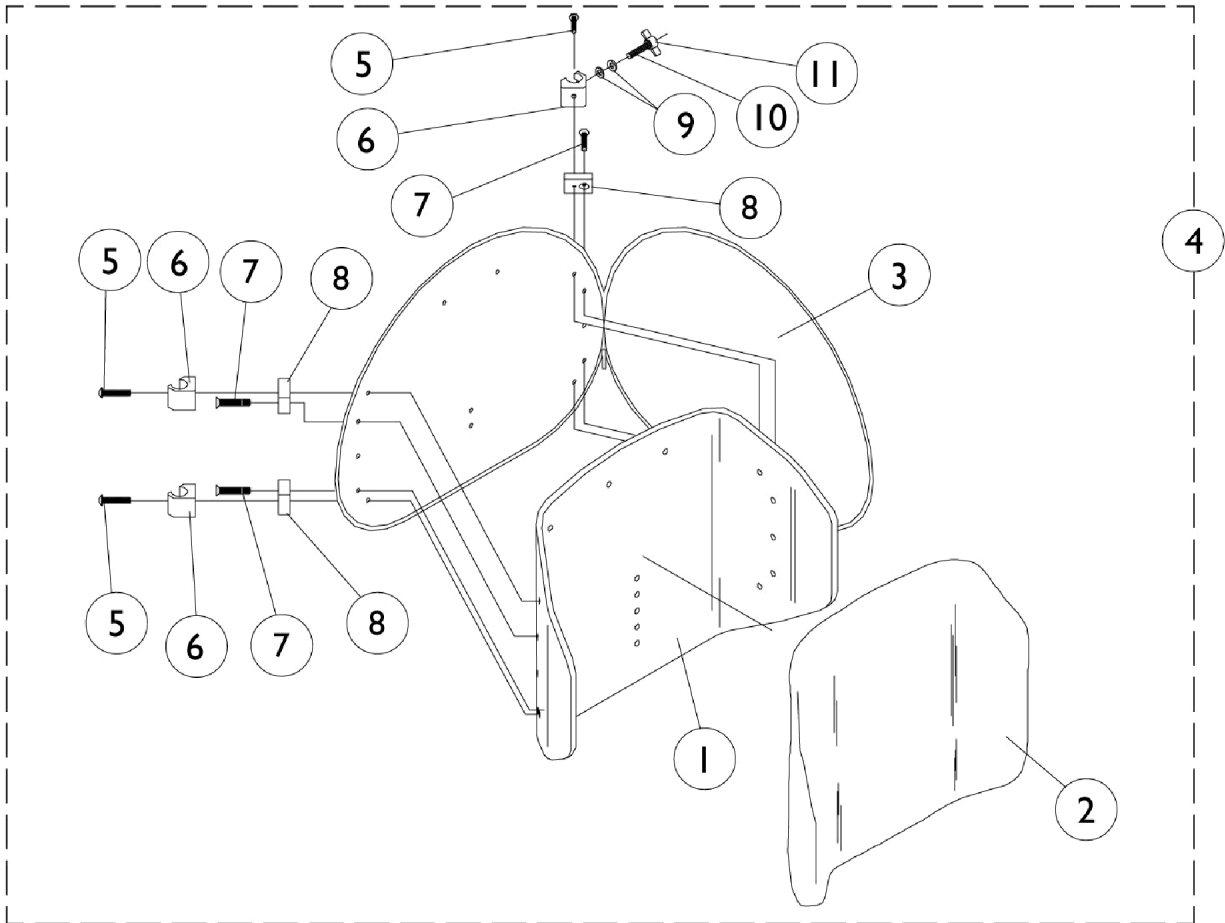
**NOTE: Hook Fastener Adhesive Kit must be ordered when a Back Pan or Back Assembly is requested.
This will allow the Loop Fastener Adhesive on the Back Cover to attach properly.**

Item #'s 4-7 Back

Back Material Width x Height	Overall Back Height	4. Back Pan	5. 1" Back Foam	6. Back Cover	7. Back Assembly w/ Fixed Hardware
19" x 20"	23"-25" H	0125619-NLA	0010420	0011921-NLA	1072803-NLA
20" x 20"	23"-25" H	0125719	0010620-NLA	0012121-NLA	1072804-NLA
21" x 20"	23"-25" H	0125819	1073087-NLA	0304221-NLA	1073108
22" x 20"	23"-25" H	0125919-NLA	1073088-NLA	0158721-NLA	1073109-NLA

NOTE: Some foam size part numbers can accommodate two width and two back heights by turning the foam around 90 degrees. Example would be a (16" W x 20" H) can be (20" W x 16" H) in other applications.

Profile Back Assembly (Fixed)



Profile Back Assembly (Fixed)

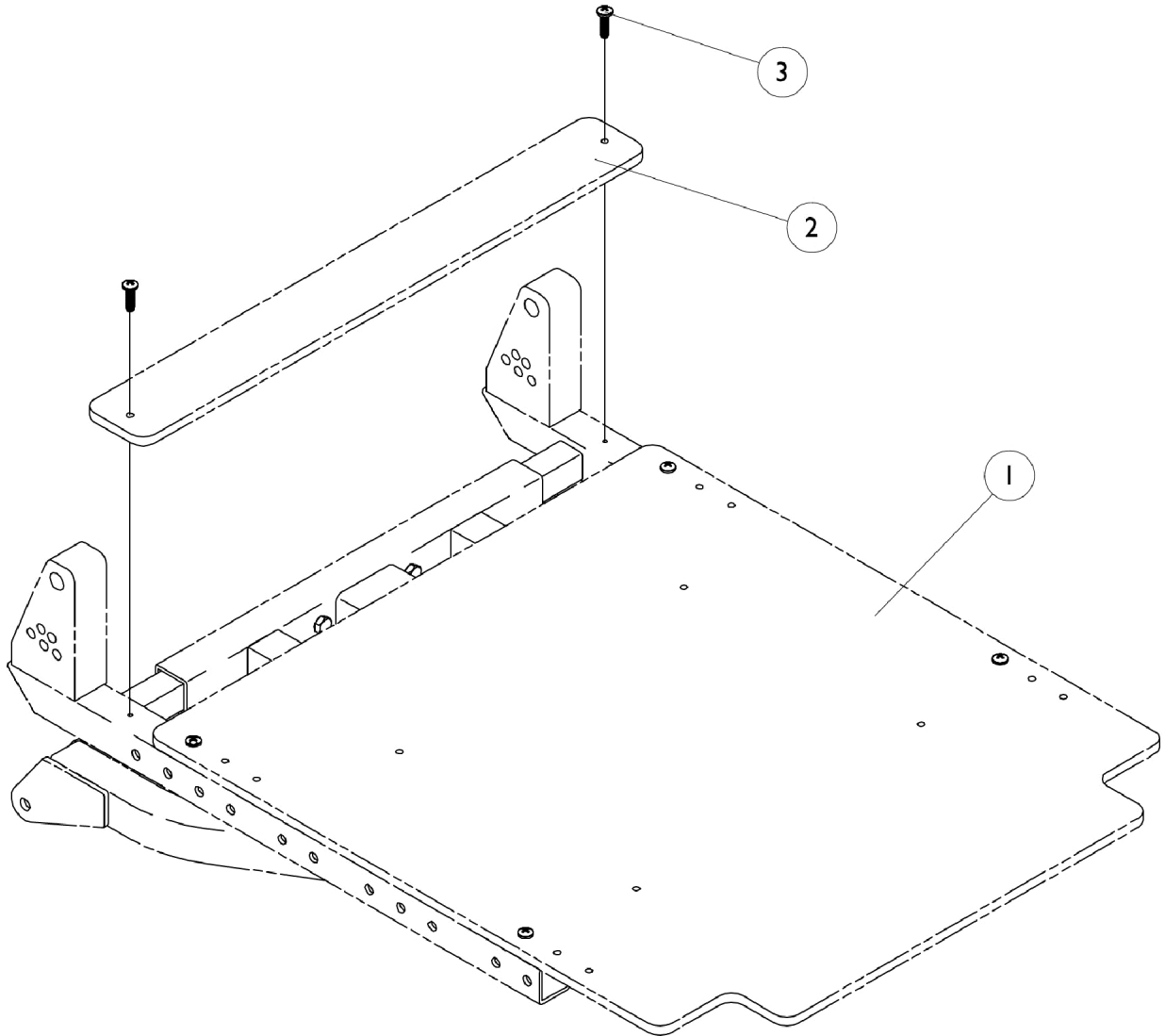
Item Number	Note	Part Number	Description	Quantity Per	
				Package	Assembly
1-4		See Chart	Item #'s 1-4 Profile Back Assembly (Fixed)	1	1
5	B	0052906-NLA	NLA - Screw, Socket Button Head (1/4-20 x 3/4")	1	4
5	C	0051206-NLA	NLA - Screw, Machine, Hex Socket, Button Head (1/4-20 x 1-1/4)	1	4
6	B	0190500-NLA	NLA - Block, Glide (16", 18" and 20" Wide)	1	4
6	C	0190600-NLA	NLA - Block, Glide (17" and 19" Wide)	1	4
7		1081834-NLA	NLA - Screw, Socket Flat Head (1/4-20 x 1-1/4")	1	4
8		1081830-NLA	NLA - Spacer, Profile Back (1-3/4" Long x 1-9/32 High x 23/32" Thick)	1	4
9		0050100-NLA	NLA - Washer, Nylon Flat (1/4 x 1/2 x 1/16")	1	4
10		7930304-NLA	NLA - Screw, Socket Head (1/4-20 x 1-1/4")	25	2
11		0226500-NLA	NLA - Knob, Tee	1	2
	A,D	0143900-NLA	NLA - Flap, Back Pan - Tarsys	1	1
	A,E	0144000-NLA	NLA - Flap, Back Pan - Tarsys	1	1
	A,F	0144100-NLA	NLA - Flap, Back Pan - Tarsys	1	1
NOTE: A - Not Shown. B - 16,18, 20" Wide C - 17, 19" Wide D - 16-17" Wide E - 18-19" Wide F - 20-22" Wide					

Item #'s 1-4 Back

Back Material Width x Height	Overall Back Height	1. Back Pan	2. Back Foam	3. Back Cover	4. Back Assembly w/ Fixed Hardware
16" x 16"	20"-21" H	0133019-NLA	0259220-NLA	0276800-NLA	1081839
17" x 16"	20"-21" H	0133019-NLA	0259220-NLA	0276800-NLA	1081840
18" x 16"	20"-21" H	0133119-NLA	0259120-NLA	0276900-NLA	1081841
19" x 16"	20"-21" H	0133119-NLA	0259120-NLA	0276900-NLA	1081842-NLA
20" x 16"	20"-21" H	0133219-NLA	N/A	0277000-NLA	1081843-NLA
16" x 18"	22"-24" H	0133319-NLA	N/A	0277100	1081844
17" x 18"	22"-24" H	0133319-NLA	N/A	0277100	1081845-NLA
18" x 18"	22"-24" H	0133419-NLA	0259020-NLA	0277200	1081846
19" x 18"	22"-24" H	0133419-NLA	0259020-NLA	0277200	1081847
20" x 18"	22"-24" H	0133519	N/A	0277300-NLA	1081848
Back foam listed as N/A, is fabricated to the back pan ans isn't sold seperately.					

Seat Pan and Extensions

NOTE: To achieve a 17" seat depth, order a 16" deep seat pan and 1" extension kit.
To achieve a 19" seat depth, order an 18" deep seat pan and 1" extension kit.
To achieve a 20" seat depth, order an 18" deep seat pan and 2" extension kit.



Seat Pan and Extensions

NOTE: To achieve a 17" seat depth, order a 16" deep seat pan and 1" extension kit.

To achieve a 19" seat depth, order an 18" deep seat pan and 1" extension kit.

To achieve a 20" seat depth, order an 18" deep seat pan and 2" extension kit.

Item Number	Note	Part Number	Description	Quantity Per	
				Package	Assembly
1		See Chart	#1 Seat Pan	1	1
2		See Chart	#2 Extensions	1	1
3		1072695-NLA	NLA - Screw, Phillips Pan Head Tap (#6 x 1/2")	1	4

Item #1 Seat Pan

Seat Width	16" Depth	17" Depth	18" Depth	19" Depth	20" Depth	21" Depth	22" Depth
14" Width	1073042-NLA	N/A	1073044-NLA	N/A	N/A	0289919-NLA	0290019
15" Width	1073043-NLA	N/A	1073045-NLA	N/A	N/A	0290319-NLA	0290419-NLA
16" Width	0314719-NLA	N/A	0122519-NLA	N/A	N/A	0290719-NLA	0290819-NLA
17" Width	0314819	N/A	0122619-NLA	N/A	N/A	0291119-NLA	0291219-NLA
18" Width	0314919-NLA	N/A	0122719-NLA	N/A	N/A	0291519-NLA	0219619
19" Width	0315019	N/A	0122819	N/A	N/A	0291919-NLA	0292019-NLA
20" Width	0315119-NLA	N/A	0122919-NLA	N/A	N/A	0292319	0292419
21" Width	0315219-NLA	1073094-NLA See Note(s) A	0170019	1073096-NLA See Note(s) A	1073110-NLA See Note(s) A	0292719-NLA	0292819-NLA
22" Width	0315319-NLA	1073095-NLA See Note(s) A	0170119	1073097-NLA See Note(s) A	1073111-NLA See Note(s) A	0293119-NLA	0293219

NOTE: A - Seat pans for 21" and 22" wide are made out of one piece material for 17", 19" and 20" deep.

Item #2 Extensions

Width	1" Depth	2" Depth
14" Wide	1073046-NLA	1073048-NLA
15" Wide	1073047-NLA	1073049-NLA
16" Wide	0123519-NLA	0123019-NLA
17" Wide	0123619-NLA	0123119-NLA
18" Wide	0123719-NLA	0123219-NLA
19" Wide	0123819-NLA	0123319-NLA
20" Wide	0123919-NLA	0123419-NLA

Front Riggings Reference Chart

For 2G Storm and (RII MWD Before 3/1/00) Center Pivot Sector Riggings

NOTE: Calf pads with attaching hardware not included on legrest.

NOTE: Pivot/Slide tube attaching hardware not included.

Support Assemblies

Side	60HD Supports	60MFX Supports	70NHD Supports	70STAPER Supports	70MFX Supports	AT5544 Supports	90SWING Supports
	See Note(s) A	See Note(s) A	See Note(s) A	See Note(s) A	See Note(s) A	See Note(s) A	See Note(s) A
Right	8881053158 See Note(s) A	8881026998 See Note(s) A	8881053149 See Note(s) A	8881026996 See Note(s) A	8881047481 See Note(s) A	8881045291 See Note(s) A	8881062596 See Note(s) A
Left	8881053157 See Note(s) A	8881026999 See Note(s) A	8881053148 See Note(s) A	8881026997 See Note(s) A	8881047480 See Note(s) A	8881045292 See Note(s) A	8881062597 See Note(s) A

NOTE: A - Specify frame color when ordering, see page titled "Packaging, Literature, Frame Finishes, and Touch-Up Paint."

Pivot/ Slide Tube with Footplate - 1651

For 60HD, 60MFX, 70NHD, AT5544

Chair Width	Side	1651 Composite 9-7/8" Long	1651 Composite 2" Longer	1651 Composite 4" Longer
14"	Right	1057859	1057861	1058419-NLA
14"	Left	1057860	1057862-NLA	1058420-NLA
15-16"	Right	1057869	1057871	1058421
15-16"	Left	1057870	1057872	1058422
17-22"	Right	1057879	1057881	1058423
17-22"	Left	1057880	1057882	1058424

Front Riggings Reference Chart

For 2G Storm and (RII MWD Before 3/1/00) Center Pivot Sector Riggings

NOTE: Calf pads with attaching hardware not included on legrest.

NOTE: Pivot/Slide tube attaching hardware not included.

Pivot/Slide Tube with Footplate - 1651

For 70STAPER

Chair Width	Side	1651 Composite 9-7/8" Long	1651 Composite 2" Longer
15-17"	Right	1057859	1057861
15-17"	Left	1057860	1057862-NLA
18-19"	Right	1057869	1057871
18-19"	Left	1057870	1057872
20-22"	Right	1057879	1057881
20-22"	Left	1057880	1057882

Pivot/Slide Tube with Footplate - AT5543, 1350

For 60HD, 60MFX, 70NHD

Chair Width	Side	AT5543 Adj. Angle 9-7/8" Long	AT5543 Adj. Angle 2" Longer	1350 X-Large 9-1/2" Long	1350 X-Large 2" Longer	1350 X-Large 4" Longer
14-15"	Right	1060444	1062758	1090271-NLA	N/A	N/A
14-15"	Left	1060445	1062759	1090272-NLA	N/A	N/A
16-22"	Right	1062756	1062760	1026395	1086515	1086516
16-22"	Left	1062757	1062761	1026396	1086517	1086518

Front Riggings Reference Chart

For 2G Storm and (RII MWD Before 3/1/00) Center Pivot Sector Riggings

NOTE: Calf pads with attaching hardware not included on legrest.

NOTE: Pivot/Slide tube attaching hardware not included.

Pivot/Slide Tube with Footplate - AT5543, 1350, 1450

For AT5544

Chair Width	Side	AT5543 Adj. Angle 9-7/8" Long	AT5543 Adj. Angle 2" Longer	1350 X-Large 9-1/2" Long	1350 X-Large 2" Longer	1350 X-Large 4" Longer	1450 Delx.Alum. 9-7/8" Long
14-15"	Right	1060444	1062758	1058828-NLA	N/A	N/A	N/A
14-15"	Left	1060445	1062759	1058829-NLA	N/A	N/A	N/A
16-22"	Right	1062756	1062760	1058830	1086515	1086516	1028723-NLA
16-22"	Left	1062757	1062761	1058831	1086517	1086518	1028724-NLA

Footrest Tube and Footplate Assemblies - AT5043, AT5543

For 70MFX, 90SWING

Chair Width	Side	AT5043 Flip-Up	AT5543 Adj.Angle
14-16"	Right	1029434-NLA	N/A
14-16"	Left	1029435-NLA	N/A
14-15"	Right	N/A	1060438
14-15"	Left	N/A	1060439
16-22"	Right	N/A	1062570
16-22"	Left	N/A	1062571

Front Riggings Reference Chart

For 2G Storm and (RII MWD Before 3/1/00) Pin and Saddle

NOTE: Calf pads with attaching hardware not included on legrest.

NOTE: Pivot/Slide tube with attaching hardware not included.

Support Assemblies

Side	PW93 Supports	PW93ST Supports	PW93E Supports	P93M Supports	P904A Supports	PAS4A/PAL4A Supports
	See Note(s) A	See Note(s) A	See Note(s) A	See Note(s) A	See Note(s) A	See Note(s) A
Right	8881070776 See Note(s) A	8881070784-NL A See Note(s) A	8881070768-NL A See Note(s) A	8881037836-NL A See Note(s) A	8881058646-NL A See Note(s) A	1058482-NLA
Left	8881070777 See Note(s) A	8881070785-NL A See Note(s) A	8881070769-NL A See Note(s) A	8881037837-NL A See Note(s) A	8881058647-NL A See Note(s) A	1058483-NLA

NOTE: A - Specify frame color when ordering, see page titled "Packaging, Literature, Frame Finishes and Touch-Up Paint".

Pivot/Slide Tube with Footplate - 1651

For PW93, PW93E

Chair Width	Side	1651 Composite 9-7/8" Long	1651 Composite 2" Longer	1651 Composite 4" Longer
14"	Right	1057859	1057861	1058419-NLA
14"	Left	1057860	1057862-NLA	1058420-NLA
15-16"	Right	1057869	1057871	1058421
15-16"	Left	1057870	1057872	1058422
17-22"	Right	1057879	1057881	1058423
17-22"	Left	1057880	1057882	1058424

Front Riggings Reference Chart

For 2G Storm and (Rll MWD Before 3/1/00) Pin and Saddle

NOTE: Calf pads with attaching hardware not included on legrest.

NOTE: Pivot/Slide tube with attaching hardware not included.

Pivot/Slide Tube with Footplate - 1651

For PW93ST

Chair Width	Side	1651 Composite 9-7/8" Long	1651Composite 2" Longer
15-17"	Right	1057859	1057861
15-17"	Left	1057860	1057862-NLA
18-19"	Right	1057869	1057871
18-19"	Left	1057870	1057872
20-22"	Right	1057879	1057881
20-22"	Left	1057880	1057882

Pivot/Slide Tube with Footplate - AT5543, 1350

For PW93, PW93E

Chair Width	Side	AT5543 Adj.Angle 9-7/8" Long	AT5543 Adj.Angle 2" Longer	1350 X-Large 9-1/2" Long	1350 X-Large 2" Longer	1350 X-Large 4" Longer
14-15"	Right	1060444	1062758	1090271-NLA	N/A	N/A
14-15"	Left	1060445	1062759	1090272-NLA	N/A	N/A
16-22"	Right	1062756	1062760	1026395	1086515	1086516
16-22"	Left	1062757	1062761	1026396	1086517	1086518

Front Riggings Reference Chart

For 2G Storm and (Rll MWD Before 3/1/00) Pin and Saddle

NOTE: Calf pads with attaching hardware not included on legrest.

NOTE: Pivot/Slide tube with attaching hardware not included.

Pivot/Slide Tube with Footplate - 1650, 1450, 1350

For P93M

Chair Width	Side	1650 Std.Alum. 9-1/2" Long	1450 Delx.Alum. 9-1/2" Long	1350 X-Large 9-1/2" Long	1350 X-Large 2" Longer	1350 X-Large 4" Longer
14-15"	Right	1058573-NLA	N/A	N/A	N/A	N/A
14-15"	Left	1058574-NLA	N/A	N/A	N/A	N/A
16-22"	Right	1057969-NLA	1028892-NLA See Note(s) A	1031924-NLA	1086519-NLA	1086520-NLA
16-22"	Left	1057970-NLA	1028893-NLA See Note(s) A	1031925-NLA	1086523-NLA	1086524-NLA

NOTE: A - No longer available as a service part individually.

Pivot/Slide Tube with Footplate - 1650, 1450

For P904A

Chair Width	Side	1650 Std.Alum. 9-1/2" Long	1650 Std.Alum. 2" Longer	1650 Std.Alum. 4" Longer	1450 Delx.Alum. 9-1/2" Long
14-15"	Right	1058612-NLA	N/A	N/A	N/A
14-15"	Left	1058613-NLA	N/A	N/A	N/A
16-22"	Right	1058604	1086529-NLA	1086530-NLA	1028723-NLA
16-22"	Left	1058605	1086531-NLA	1086532-NLA	1028724-NLA

Pivot/Slide Tube with Footplate - 1350

For P904A

Chair Width	Side	1350 X-Large 9-1/2" Long	1350 X-Large 2" Longer	1350 X-Large 4" Longer
14-15"	Right	1058828-NLA	N/A	N/A
14-15"	Left	1058829-NLA	N/A	N/A
16-22"	Right	1058830	1086541-NLA	1086542-NLA
16-22"	Left	1058831	1086551-NLA	1086552-NLA

Front Riggings Reference Chart

For 2G Storm and (Rll MWD Before 3/1/00) Pin and Saddle

NOTE: Calf pads with attaching hardware not included on legrest.

NOTE: Pivot/Slide tube with attaching hardware not included.

Pivot/Slide Tube with Footplate - 1650, 1350

For PAS4A, PAL4A

Front Rigging Model	Chair Width	Side	1650 Std.Alum.	1350 X-Large
PAS4A	14-15"	Right	1023905-NLA	1035454-NLA
PAS4A	14-15"	Left	1023906-NLA	1035455-NLA
PAL4A	16-22"	Right	1023907	1035456
PAL4A	16-22"	Left	1023908	1035457

Front Riggings Reference Chart

For ProntoR2 and (RII MWD After 2/29/00) Center Pivot Sector Riggings

NOTE: Calf pads with attaching hardware not included on legrest.

NOTE: Pivot/Slide tube attaching hardware not included.

Support Assemblies

Side	60HD Supports	70NHD Supports	AT5544 Supports
	See Note(s) A	See Note(s) A	See Note(s) A
Right	8881053158 See Note(s) A	8881053149 See Note(s) A	8881045291 See Note(s) A
Left	8881053157 See Note(s) A	8881053148 See Note(s) A	8881045292 See Note(s) A

NOTE: A - Specify frame color when ordering, see page titled "Packaging, Literature, Frame Finishes and Touch-Up Paint".

Pivot/Slide Tube with Footplate - AT5543, 1350

For 60HD, 70NHD

Chair Width	Side	AT5543 Adj.Angle 9-7/8" Long	AT5543 Adj.Angle 2" Longer	1350 X-Large 9-1/2" Long	1350 X-Large 2" Longer	1350 X-Large 4" Longer
14-15"	Right	1060444	1062758	1090271-NLA	N/A	N/A
14-15"	Left	1060445	1062759	1090272-NLA	N/A	N/A
16-22"	Right	1062756	1062760	1026395	1086515	1086516
16-22"	Left	1062757	1062761	1026396	1086517	1086518

Pivot/Slide Tube with Footplate - AT5543, 1350

For AT5544

Chair Width	Side	AT5543 Adj.Angle 9-7/8" Long	AT5543 Adj.Angle 2" Longer	1350 X-Large 9-1/2" Long	1350 X-Large 2" Longer	1350 X-Large 4" Longer
14-15"	Right	1060444	1062758	1058828-NLA	N/A	N/A
14-15"	Left	1060445	1062759	1058829-NLA	N/A	N/A
16-22"	Right	1062756	1062760	1058830	1086515	1086516
16-22"	Left	1062757	1062761	1058831	1086517	1086518

Front Riggings Reference Chart

For ProntoR2 and (RII MWD After 2/29/00) Center Pivot Sector Riggings

NOTE: Calf pads with attaching hardware not included on legrest.

NOTE: Pivot/Slide tube attaching hardware not included.

Pivot/Slide Tube with Footplate - 1650

For 60HD, 70NHD

Chair Width	Side	1650 Std.Alum. 9-1/2" Long	1650 Std.Alum. 2" Longer	1650 Std.Alum. 4" Longer
14-15"	Right	1041542-NLA	N/A	N/A
14-15"	Left	1041543-NLA	N/A	N/A
16-22"	Right	1074149	1086494-NLA	1086495-NLA
16-22"	Left	1074150	1086497-NLA	1086498-NLA

Pivot/Slide Tube with Footplate - 1650

For AT5544

Chair Width	Side	1650 Std.Alum. 9-1/2" Long
14-15"	Right	1058612-NLA
14-15"	Left	1058613-NLA
16-22"	Right	1058604
16-22"	Left	1058605

Front Riggings Reference Chart

For ProntoR2 and (RII MWD After 2/29/00) Pin and Saddle Riggings

NOTE: Calf pads with attaching hardware not included on legrest.

NOTE: Pivot/Slide tube attaching hardware not included.

Support Assemblies

Side	PW93 Supports See Note(s) A	PAS4A/PAL4A Supports
Right	8881070776 See Note(s) A	1058482-NLA
Left	8881070777 See Note(s) A	1058483-NLA

NOTE: A - Specify frame color when ordering, see page titled "Packaging, Literature, Frame Finishes and Touch-Up Paint".

Pivot/Slide Tube with Footplate - 1650, 1350

For PW93

Chair Width	Side	1650 Std. Alum. 9-1/2" Long	1650 Std. Alum. 2" Longer	1650 Std. Alum. 4" Longer	1350 X-Large 9-1/2" Long	1350 X-Large 2" Longer	1350 X-Large 4" Longer
14-15"	Right	1041542-NLA	N/A	N/A	1090271-NLA	N/A	N/A
14-15"	Left	1041543-NLA	N/A	N/A	1090272-NLA	N/A	N/A
16-22"	Right	1074149	1086494-NLA	1086495-NLA	1026395	1086515	1086516
16-22"	Left	1074150	1086497-NLA	1086498-NLA	1026396	1086517	1086518

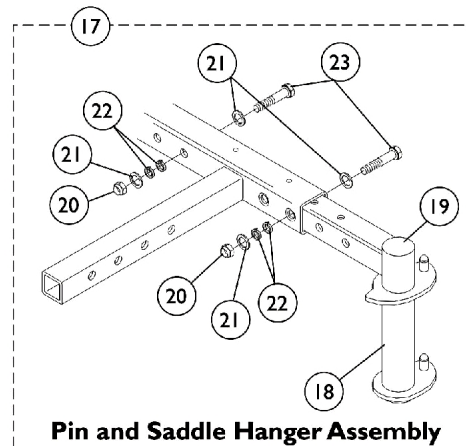
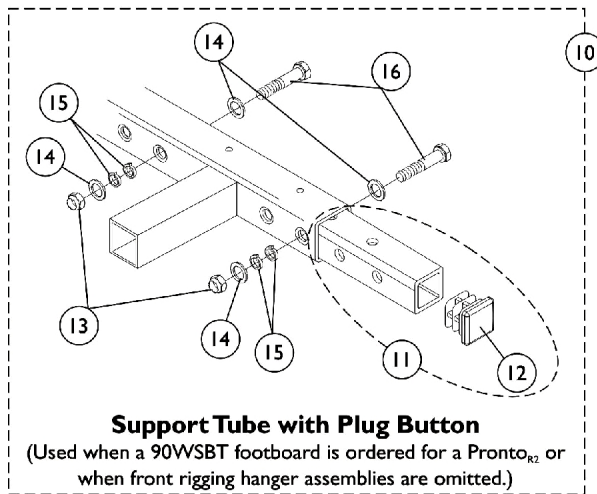
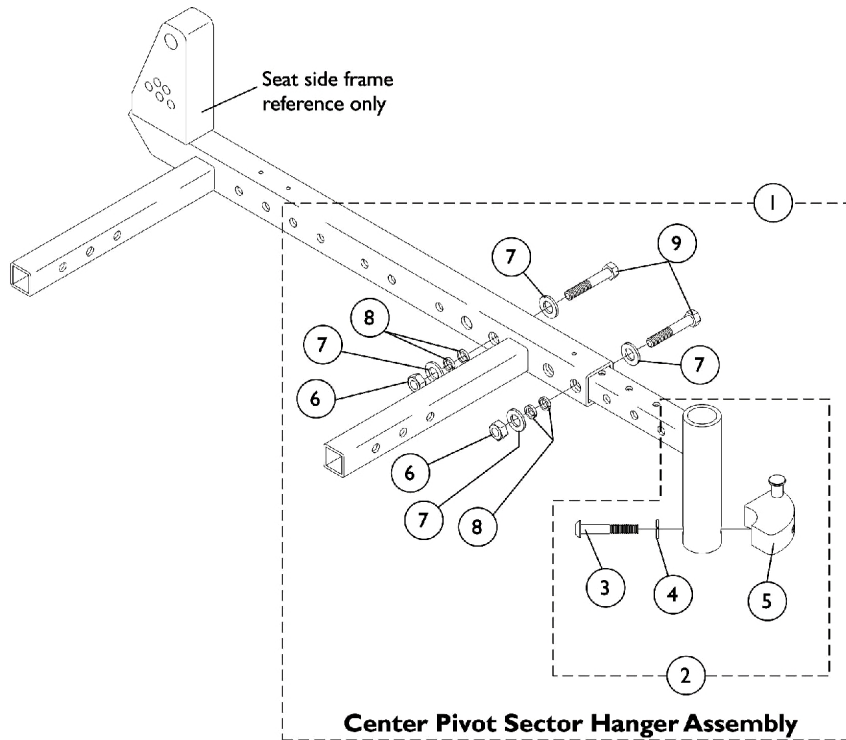
Pivot/Slide Tube with Footplate - 1650, 1350

PAS4A, PAL4A

Front Rigging Model	Chair Width	Side	1650 Std. Alum.	1350 X-Large
PAS4A	14-15"	Right	1023905-NLA	1035454-NLA
PAS4A	14-15"	Left	1023906-NLA	1035455-NLA
PAL4A	16-22"	Right	1023907	1035456
PAL4A	16-22"	Left	1023908	1035457

Front Rigging Hanger Assembly

Center Pivot Sector, 90WSBT Footboard, Pin & Saddle Style



Front Rigging Hanger Assembly

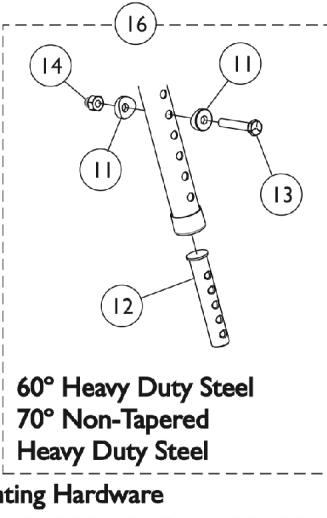
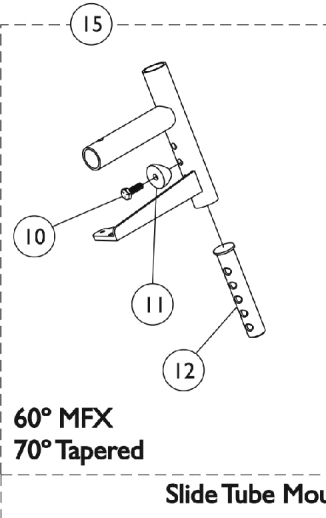
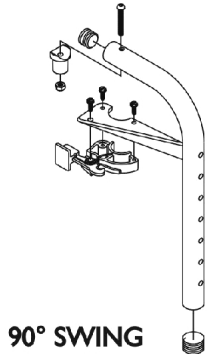
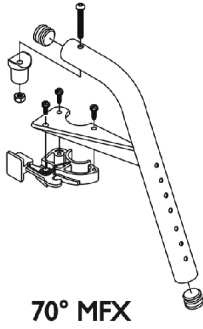
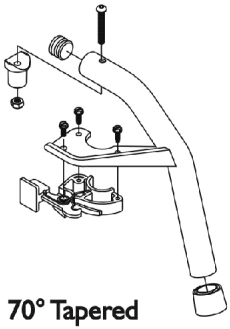
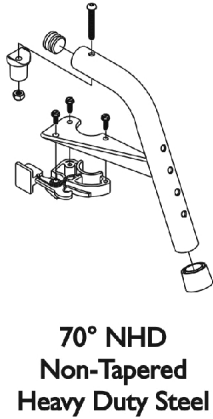
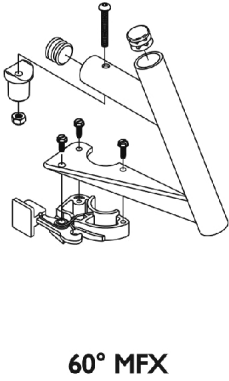
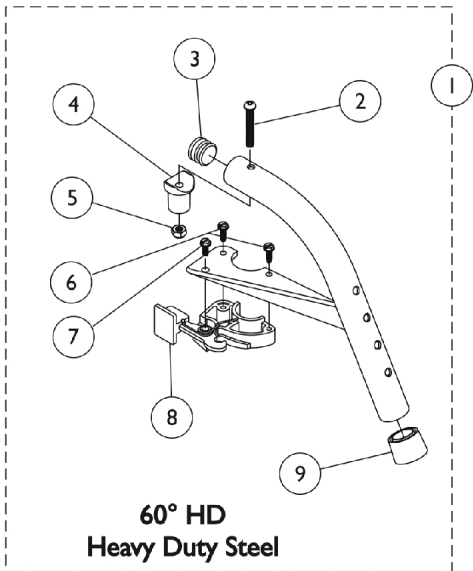
Center Pivot Sector, 90WSBT Footboard, Pin & Saddle Style

Item Number	Note	Part Number	Description	Quantity Per	
				Package	Assembly
1	A	1072724-NLA	NLA - Kit, Front Rigging Hanger Assembly w/ Hardware, Center Pivot, Storm, Black - Right	1	1
1	A	1072726-NLA	NLA - Kit, Front Rigging Hanger Assembly w/ Hardware, Center Pivot, Storm, Black - Left	1	1
1	A	0197500-NLA	NLA - Kit, Front Rigging Hanger Assembly w/ Hardware, Storm, Black (Pair)	2	1
2	B	1072722-NLA	NLA - Front Rigging Hanger Assembly w/ Sector Block, Center Pivot, Storm, Black - Right	1	1
2	B	1072723-NLA	NLA - Front Rigging Hanger Assembly w/ Sector Block, Center Pivot, Storm, Black - Left	1	1
3		0139506	Screw, Button Head, Socket (1/4-20 x 1-1/2")	1	1
4		1007453	Lockwasher, Split (1/4")	1	1
5		0117000	Block, Sector - Right	1	1
5		0117100	Block, Sector - Left	1	1
6		1025736	Locknut (1/4-20)	1	2
7		0050406	Washer, Flat (1/4 x 5/8 x 1/16")	1	4
8		0050506-NLA	NLA - Lockwasher, High Collar, Split (1/4")	1	4
9		1024793-NLA	NLA - Screw, Hex Head (1/4-20 x 1-3/4")	1	2
10	C	1102792-NLA	NLA - Support Tube w/ Plug Button and Hardware, Black	1	1
11		1096519-NLA	NLA - Support Tube w/ Plug Button, Black	1	1
12		0062200-NLA	NLA - Plug Button, Square (3/4")	1	1
13		1025736	Locknut (1/4-20)	1	2
14		0050406	Washer, Flat (1/4 x 5/8 x 1/16")	1	4
15		0050506-NLA	NLA - Lockwasher, High Collar, Split (1/4")	1	4
16		1024793-NLA	NLA - Screw, Hex Head (1/4-20 x 1-3/4")	1	2
17	D	1081425-NLA	NLA - Kit, Front Rigging Hanger Assembly w/ Hardware, Pin Style, Black - Right	1	1
17	D	1081426-NLA	NLA - Kit, Front Rigging Hanger Assembly w/ Hardware, Pin Style, Black - Left	1	1
17	D	1081446-NLA	NLA - Kit, Front Rigging Hanger Assembly w/ Hardware, Pin Style, Black (Pair)	2	1
18		1078020-NLA	NLA - Hanger, Front Rigging, Pin Style, Black - Right	1	1
18		1078021-NLA	NLA - Hanger, Front Rigging, Pin Style, Black - Left	1	1
19		1027097	Plug Button, Black (3/4")	1	1
20		1025736	Locknut (1/4-20)	1	2
21		0050406	Washer, Flat (1/4 x 5/8 x 1/16")	1	4
22		0050506-NLA	NLA - Lockwasher, High Collar, Split (1/4")	1	4
23		0051506	Screw, Hex Head (1/4-20 x 1-3/4")	1	2

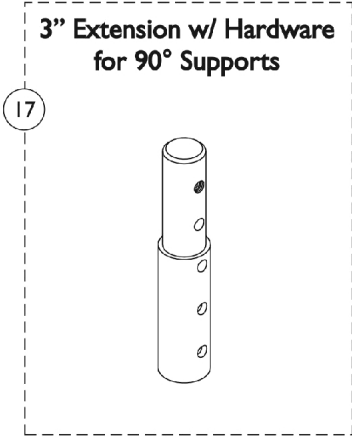
NOTE: A - Includes items 2 and 6-9
B - Includes the front rigging hanger and items 3-5
C - Includes items 11 and 13-16
D - Includes items 18 and 20-23

Footrest Support Assemblies

Center Pivot Sector Riggings



Slide Tube Mounting Hardware



Footrest Support Assemblies Center Pivot Sector Riggings

Item Number	Note	Part Number	Description	Quantity Per	
				Package	Assembly
1	A,C	8881053158	Footrest Support Assembly, 60 Degree Heavy Duty, Sector, Color - Right	1	1
1	A,C	8881053157	Footrest Support Assembly, 60 Degree Heavy Duty, Sector, Color - Left	1	1
1	A,D	8881026998	Footrest Support Assembly, 60 Degree MFX, Sector, Color - Right	1	1
1	A,D	8881026999	Footrest Support Assembly, 60 Degree MFX, Sector, Color - Left	1	1
1	A,C	8881053149	Footrest Support Assembly, 70 Degree Non-Tapered Heavy Duty, Sector, Color - Right	1	1
1	A,C	8881053148	Footrest Support Assembly, 70 Degree Non-Tapered Heavy Duty, Sector, Color - Left	1	1
1	A,D	8881026996	Footrest Support Assembly, 70 Degree Tapered, Sector, Color - Right	1	1
1	A,D	8881026997	Footrest Support Assembly, 70 Degree, Tapered, Sector, Color - Left	1	1
1	A,D	8881047481	Footrest Support Assembly, 70 Degree MFX, Sector, Color - Right	1	1
1	A,D	8881047480	Footrest Support Assembly, 70 Degree MFX, Sector, Color - Left	1	1
1	A,D	8881062596	Footrest Support Assembly, 90 Degree, Sector, Color - Right	1	1
1	A,D	8881062597	Footrest Support Assembly, 90 Degree, Sector, Color - Left	1	1
2		1001762	Screw, Socket Button Head (1/4-20 x 1-3/4")	1	1
3	G	1029501	Plug Button, Black (1")	1	1
3	G	1056328	Plug Button, Black (1")	1	1
4		1017148	Pivot, Footrest	1	1
5		1025736	Locknut (1/4-20)	1	1
6		1025451	Screw, Slotted Hex Washer Head (#10-32 x 5/8")	1	2
7		1017423	Screw, Slotted Hex Washer Head w/ Patch (#10-32 x 1/2")	1	1
8		1025454	Housing, Latch - Right	1	1
8		1025455	Housing, Latch - Left	1	1
9		1026124	Collar, Anti-Rattle	1	1
10		1045267	Screw, Hex Head w/ Patch (1/4-20 x 3/4")	1	1
11	F	1026099	Spacer, Coved (1/4 x 11/16 x 1/2")	1	1
12	E	1020534	Insert, Threaded	1	1
13		1070759	Screw, Hex Head (1/4-20 x 1-1/2")	1	1
14		1044214	Nut, Hex with Nylon Cap (1/4-20)	1	1
15		1026703	Kit, Pivot/Slide Tube Mounting Hardware (Pair)	1	1
16		1057846	Kit, Pivot/Slide Tube Mounting Hardware (Pair)	1	1
17	A	8881038231	Kit, 3" Extension w/ Hardware (Pair)	1	1
	B	1026987	Guard, Impact (8" L)	1	1

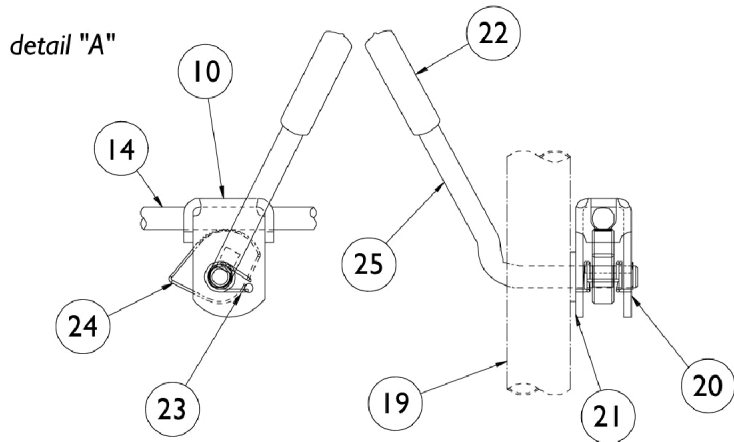
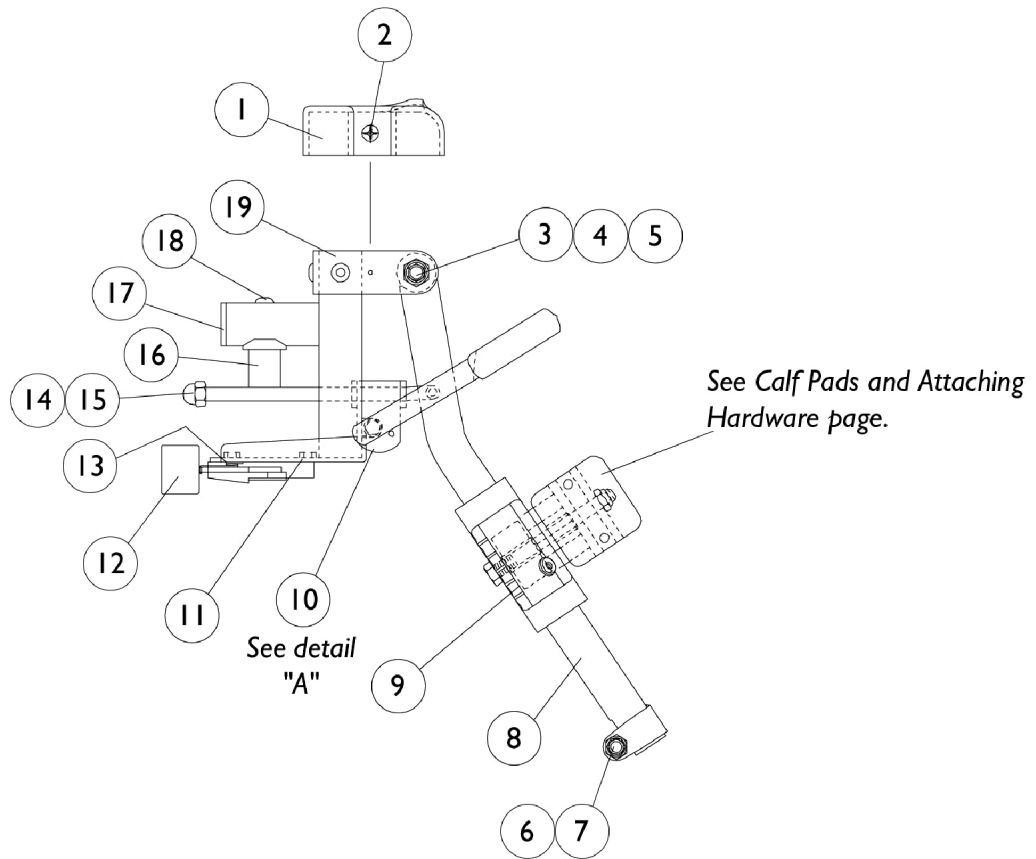
Footrest Support Assemblies

Center Pivot Sector Riggings

NOTE: A - Specify frame color, see page titled "Packaging, Literature, Frame Finishes and Touch-Up Paint."
B - Not Shown. For 70 deg. Tapered Footrest.
C - Uses Item number 3, Plug Button 1029501.
D - Uses Item number 3, Plug Button 1056328.
E - As of 8/15/03, the Threaded Insert was revised from 3 to 5 Holes. Threaded Insert is Backward Compatible and does not require ordering in Pairs.
F - Item 16 takes 2 per assembly
G - See item #1 footnote C or D for Front Rigging Plug Button usage.

AT5544 Legrest Supports

Center Pivot Sector Riggings

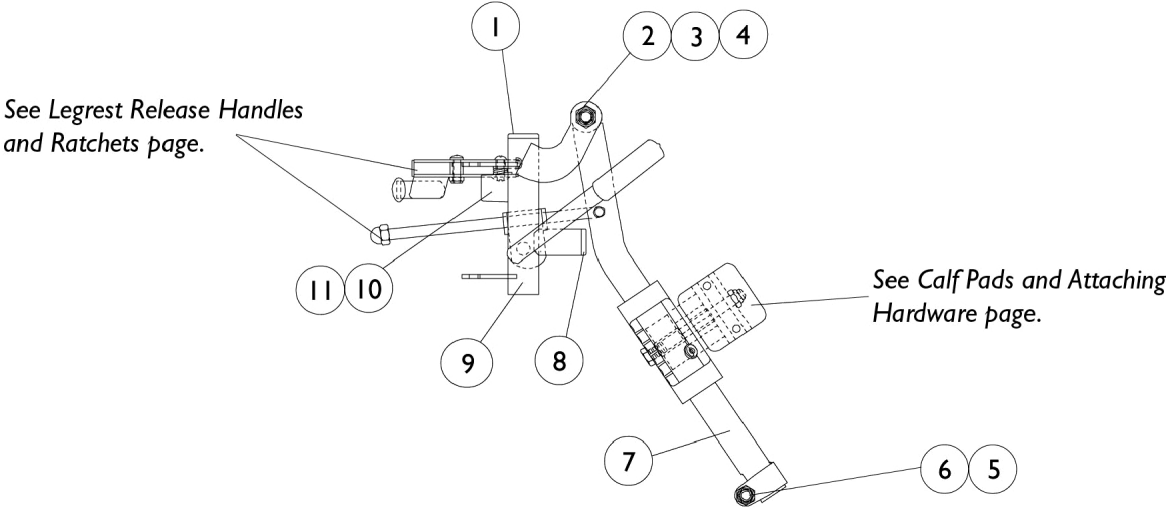


AT5544 Legrest Supports Center Pivot Sector Riggings

Item Number	Note	Part Number	Description	Quantity Per	
				Package	Assembly
1		1017187	Cover, Top	1	1
2		1028529	Screw, Phillips Pan Head (#8-32 x 3/8")	1	2
3		40363X000	Hex Nut (3/8"-16)	1	1
4		1058636-NLA	NLA - Washer, Nylon (25/64 x 7/8 x 1/32")	1	2
5		11919X000-NLA	NLA - Screw, Slotted Truss Head (3/8-16 x 1-1/2")	1	1
6		7930330-NLA	NLA - Locknut (5/16-24)	25	3
7		1026030	Bolt, Lug (5/16-24 x 1-3/8")	1	1
8		1043556-NLA	NLA - Tube, Elevating Adjustable Support, Black - Right	1	1
8		1043557-NLA	NLA - Tube, Elevating Adjustable Support, Black - Left	1	1
8	A	8881048851	Tube, Elevating Adjustable Support, Color - Right	1	1
8	A	8881048852	Tube, Elevating Adjustable Support, Color - Left	1	1
9		1032266	Bracket, Legrest Pad Mounting, Black	1	1
10		04528X002	Bracket, Release, Black	1	1
11		1025451	Screw, Slotted Hex Washer Head (#10-32 x 5/8")	1	2
12		1025454	Housing, Latch - Right	1	1
12		1025455	Housing, Latch - Left	1	1
13		7930314	Package, Screw, Slotted Hex Washer Head (#10-32 x 1/2")	25	1
14		42326X001	Bar, Ratchet	1	1
15		7930336-NLA	NLA - Nut, Acorn (5/16-24)	25	1
16		1017148	Pivot, Footrest	1	1
17		1029501	Plug Button, Black (1")	1	1
18		7930301-NLA	NLA - Package, Button Head Cap Screw (1/4-20 x 1-3/4")	25	1
19	A	8881045289	Bracket, Legrest Support, Color - Right	1	1
19	A	8881045290	Bracket, Legrest Support, Color - Left	1	1
20		1040831	Ring, Snap	1	1
21		7930310-NLA	NLA - Washer, Nylon (5/16 x 11/16 x 1/16")	25	1
22		1040060	Tip, Plastic, Black	1	1
23		1037485	Spring, Release	1	1
24		1037125	Cam, Legrest	1	1
25		1037126	Handle, Release	1	1
	B	8881045291	Legrest Support Assembly, Sector, Color - Right	1	1
	B	8881045292	Legrest Support Assembly, Sector, Color - Left	1	1

NOTE: A - Specify frame color, see page titled "Packaging, Literature, Frame Finishes and Touch-Up Paint."
B - Not Shown

P904A Legrest Supports Pin and Saddle



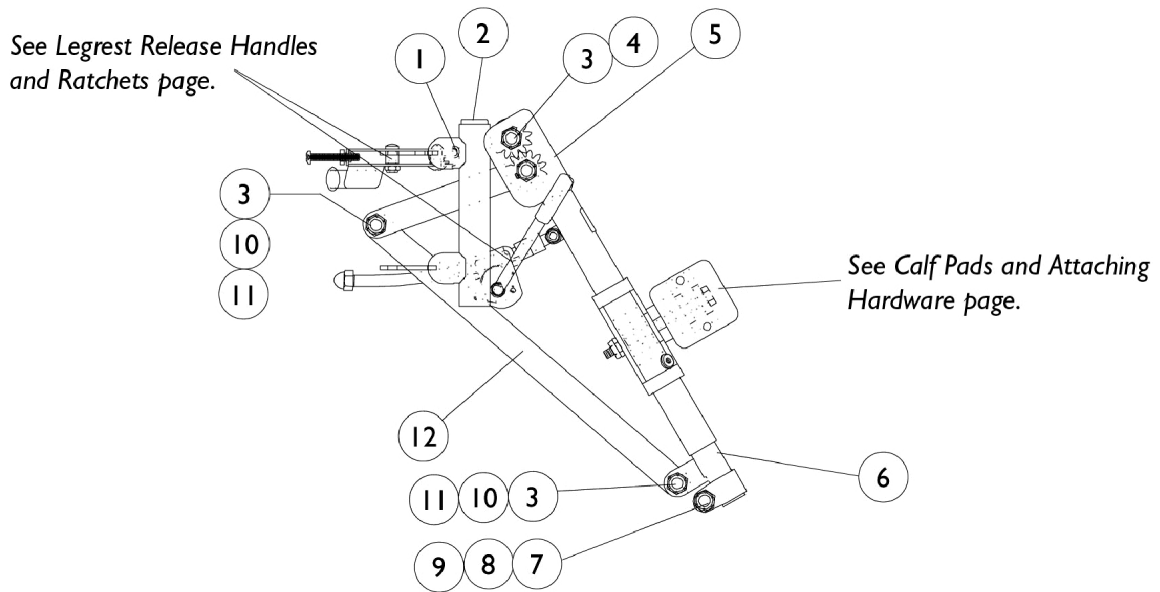
P904A Legrest Supports Pin and Saddle

Item Number	Note	Part Number	Description	Quantity Per	
				Package	Assembly
1		1027095	Plug Button, Black (7/8")	1	1
2		11919X000-NLA	NLA - Screw, Slotted Truss Head (3/8-16 x 1-1/2")	1	1
3		1058636-NLA	NLA - Washer, Nylon (25/64 x 7/8 x 1/32")	1	2
4		40363X000	Hex Nut (3/8"-16)	1	1
5		7930330-NLA	NLA - Locknut (5/16-24)	25	1
6		1026030	Bolt, Lug (5/16-24 x 1-3/8")	1	1
7	A	8881048851	Tube, Elevating Adjustable Support, Color - Right	1	1
7	A	8881048852	Tube, Elevating Adjustable Support, Color - Left	1	1
8		1027097	Plug Button, Black (3/4")	1	1
9	A	8881058664-NL A	NLA - Tube, Legrest Support, Color - Right	1	1
9	A	8881058665-NL A	NLA - Tube, Legrest Support, Color - Left	1	1
10		1022874	Bumper	1	1
11		1030979	Screw, Phillips Pan Head Tap (#10-32 x 3/4")	1	1
	A,B	8881058646-NL A	NLA - Legrest Support Assembly, Adult, Color - Right	1	1
	A,B	8881058647-NL A	NLA - Legrest Support Assembly, Adult, Color - Left	1	1

NOTE: A - Specify frame color, see page titled "Packaging, Literature, Frame Finishes and Touch-Up Paint"
B - Not Shown

PAS4A/PAL4A Articulating Legrests

Pin and Saddle

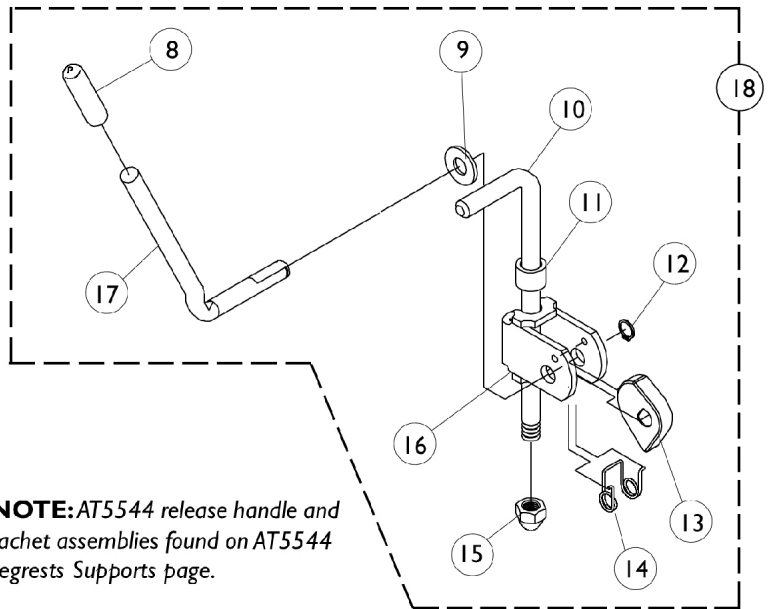
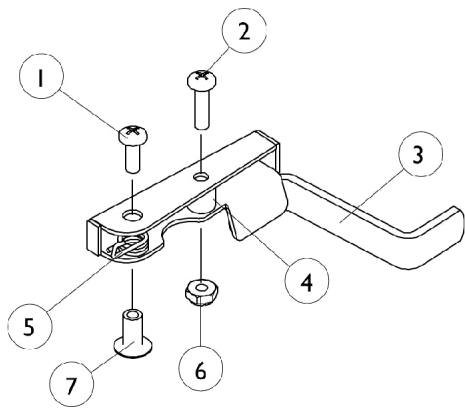


PAS4A/PAL4A Articulating Legrests Pin and Saddle

Item Number	Note	Part Number	Description	Quantity Per	
				Package	Assembly
1		1058478-NLA	NLA - Tube, Legrest Support - Right	1	1
1		1058479-NLA	NLA - Tube, Legrest Support - Left	1	1
2		1027097	Plug Button, Black (3/4")	1	1
3		40363X000	Hex Nut (3/8"-16)	3	3
4		1022854-NLA	NLA - Screw, Shoulder Slotted Head (1/2 x 1-1/8", 3/8-16)	1	1
5		1022877-NLA	NLA - Tube, Support and Drive Link, Chrome - Right	1	1
5		1022878-NLA	NLA - Tube, Support and Drive Link, Chrome - Left	1	1
6		1022848	Tube, Slide, Articulating, Chrome - Right	1	1
6		1022849	Tube, Slide, Articulating, Chrome - Left	1	1
7		1027377	Washer (#20)	1	1
8		7930363-NLA	NLA - Package, Locknut (5/16"-24)	25	1
9		11232X009	Bolt, Lug (5/16-24 x 1-3/8")	1	1
10		1022866-NLA	NLA - Screw, Socket Button Head (3/8-16 x 3/4")	2	2
11		1049527	Washer, Nylon (3/8 x 3/4 x 1/16")	2	2
12		1022846-NLA	NLA - Bar, Link, Black	1	1
	A	1058482-NLA	NLA - Legrest Support Assembly, Articulating, Adult, Chrome - Right	1	1
	A	1058483-NLA	NLA - Legrest Support Assembly, Articulating, Adult, Chrome - Left	1	1

NOTE: A - Not Shown

Legrest Release Handles and Ratchets



NOTE: AT5544 release handle and ratchet assemblies found on AT5544 Legrests Supports page.

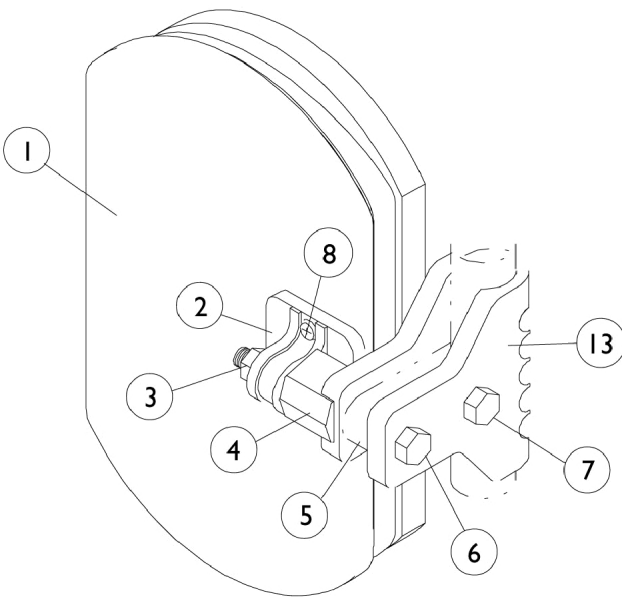
Legrest Release Handles and Ratchets

Item Number	Note	Part Number	Description	Quantity Per	
				Package	Assembly
1		7930328-NLA	NLA - Package, Screw, Phillips Pan Head (#10-32 x 1 1/16")	25	1
2		7930335-NLA	NLA - Package, Screw, Phillips Pan Head (#10-32 x 1/2")	25	1
3		1035539	Handle, Release, Black - Right	1	1
3		1035540	Handle, Release, Black - Left	1	1
	A,D	1006490	Tip, Plastic, Black	1	1
	A,D	1026107	Screw, Phillips Pan Head (#10-32 x 1-3/8")	1	1
	A,D	1028485-NLA	NLA - Nut, Hex (#10-32)	1	1
4		47565X057	Bushing (7/32 x 3/8 x 11/32")	1	1
5		1028707	Spring, Release - Right	1	1
5		1028708	Spring, Release - Left	1	1
6		7930332-NLA	NLA - Locknut, High Profile (#10-32)	25	1
7		1028846-NLA	NLA - Rivnut (#10-32)	1	1
8		1040060	Tip, Plastic, Black	1	1
9		7930310-NLA	NLA - Washer, Nylon (5/16 x 11/16 x 1/16")	25	1
10	B	42326X004	Bar, Ratchet - Right/Left	1	1
10	C	1023811-NLA	NLA - Bar, Ratchet - Right	1	1
10	C	1023812-NLA	NLA - Bar, Ratchet - Left	1	1
11		47328X003	Bushing, Pivot (5/16 x 7/16 x 7/8")	1	1
12		1040831	Ring, Snap	1	1
13		1037125	Cam, Legrest	1	1
14		1037485	Spring, Release	1	1
15		10261X000	Nut, Acorn (5/16-24)	1	1
16		04528X002	Bracket, Release, Black	1	1
17		1037126	Handle, Release	1	1
18	B	1046329	Kit, Elevating Legrest Ratchet Hardware (Pair)	2	1
18	C	1046331-NLA	NLA - Kit, Articulating Legrest Ratchet Hardware (Pair)	2	1

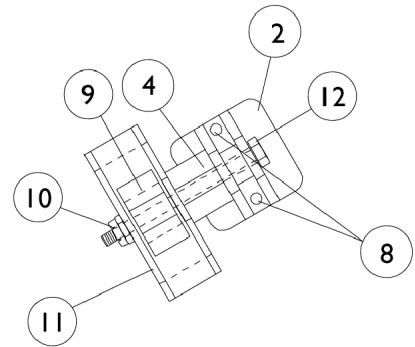
NOTE: A - These items are only required on Release Handles for chairs built Before 10/1/00.
 B - For 904A legrest
 C - For articulating legrest
 D - Not Shown

Calf Pads and Attaching Hardware

Due to a change to the Legrest Calf Pad size made on 4/23/12, you must also order the hardware kit (1066591) when ordering replacement Calf Pads.



P904A, AT5544
Legrest.



PAS4A/PAL4A
Articulating Legrest

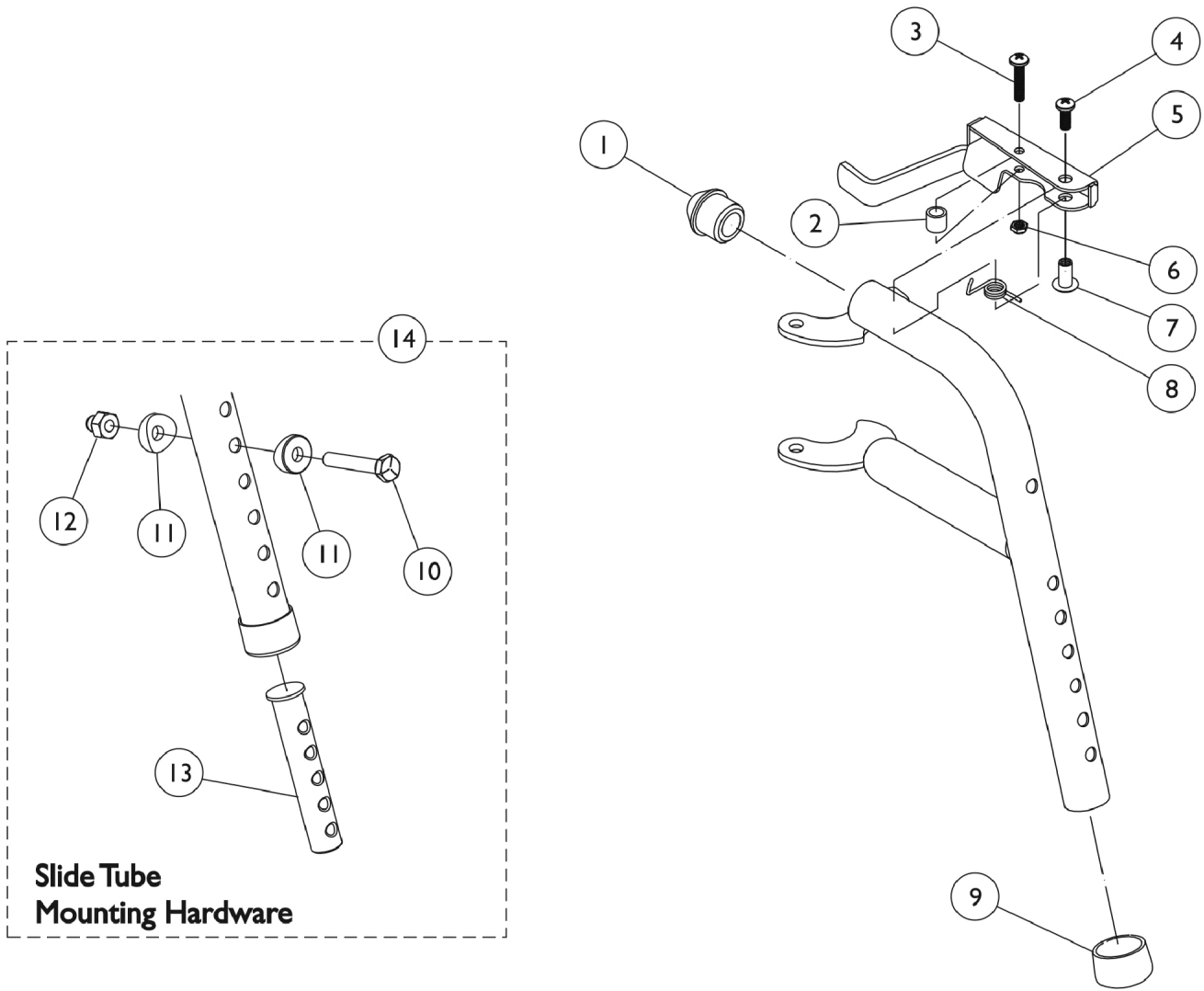
Calf Pads and Attaching Hardware

Due to a change to the Legrest Calf Pad size made on 4/23/12, you must also order the hardware kit (1066591) when ordering replacement Calf Pads.

Item Number	Note	Part Number	Description	Quantity Per	
				Package	Assembly
1	A,B,D,G	8881091759	Pad w/ Cover and Screws, Legrest Vinyl (Pair)	2	1
1	A,C,D,G	8881091764	Pad, Legrest, Vinyl - Right/Left	1	1
1	A,E,G	88804529X003	Pad, Legrest, Vinyl - Right	1	1
1	A,E,G	88804529X004	Pad, Legrest, Vinyl - Left	1	1
1		01415X000-NLA	NLA - Cover, Legrest Pad	1	1
2		04526X019	Plate, Legrest Pad	1	1
3		7930330-NLA	NLA - Locknut (5/16-24)	25	1
4		1025133	Spacer, Legrest Pad, Black	1	1
5		1032267	Spacer, Legrest Pad Mounting, Black	1	1
6		1037110	Screw, Hex Head (5/16-24 x 3-1/2")	1	1
7		1028514	Screw, Hex Head (5/16-24 x 1-1/2")	1	1
8		1066591	Hardware, Legrest Pad	1	1
			Screw, Phillips Pan Head (#10-32 x 11/16")	1	2
			Screw, Phillips Pan Head (#10-32 x 1")	1	2
			Instruction Sheet, Legrest Pad Mtg.	1	1
9		48823X008	Spring, Leaf	1	1
10		7930363-NLA	NLA - Package, Locknut (5/16"-24)	25	2
11		1025104	Bracket, Legrest, Chrome	1	1
12		1014807	Screw, Hex Head (5/16-24 x 3-1/4")	1	1
13		1032266	Bracket, Legrest Pad Mounting, Black	1	1
<p>NOTE: A - Specify U67 black upholstery color when ordering. B - Before 9/5/00 C - After 9/4/00 D - 16-22" Wide E - 14-15" Wide G - Due to a change to the Legrest Calf Pad size made on 4/23/12, you must also order the hardware kit (1066591) when ordering replacement Calf Pads.</p>					

PW93 Footrest Supports

Pin and Saddle



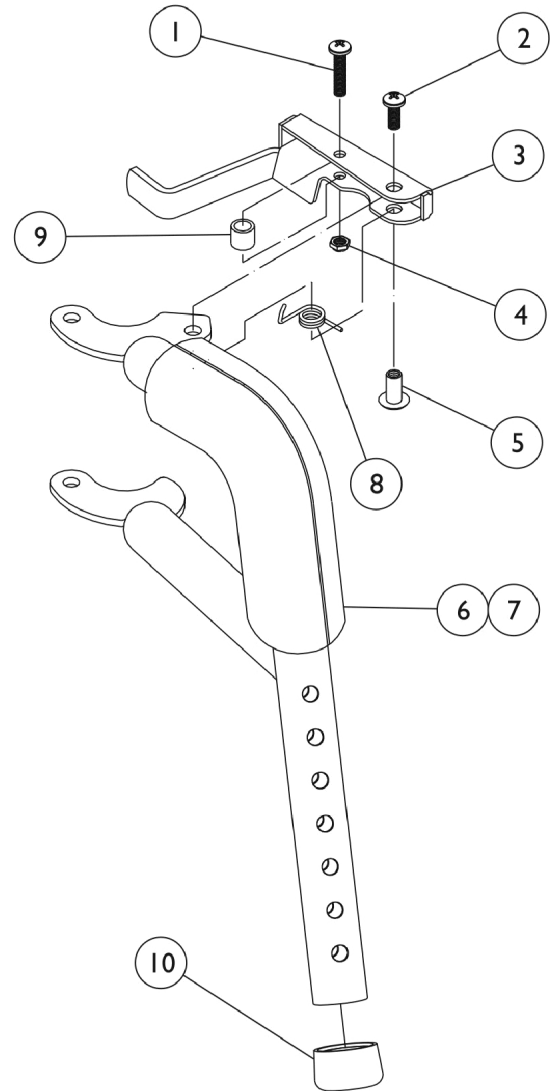
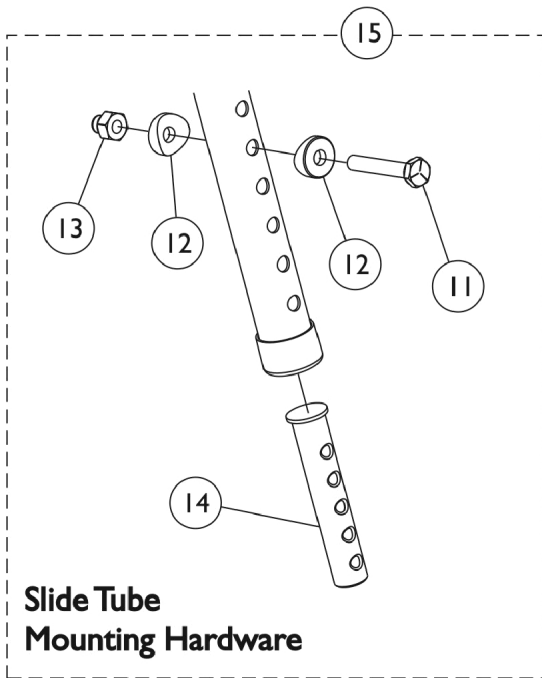
PW93 Footrest Supports Pin and Saddle

Item Number	Note	Part Number	Description	Quantity Per	
				Package	Assembly
1		1020719	Anti-Rattle, Black	1	1
2		1031884-NLA	NLA - Bushing, Black or Color Chairs (9/32 x 3/8 x 11/32")	1	1
3		1025716	Screw, Phillips Pan Head (#10-32 x 11/16")	1	1
4		1026114	Screw, Phillips Pan Head (#10-32 x 1/2")	1	1
5		1035539	Handle, Release, Black - Right	1	1
5		1035540	Handle, Release, Black - Left	1	1
6		1025735	Locknut (#10-32)	1	1
7		1028846-NLA	NLA - Rivnut (#10-32)	1	1
8		1028707	Spring, Release - Right	1	1
8		1028708	Spring, Release - Left	1	1
9		15680X012	Collar, Anti-Rattle (7/8")	1	1
10		1070759	Screw, Hex Head (1/4-20 x 1-1/2")	1	1
11		1026099	Spacer, Coved (1/4 x 11/16 x 1/2")	1	2
12		1044214	Nut, Hex with Nylon Cap (1/4-20)	1	1
13	C	1020534	Insert, Threaded	1	1
14		1074143	Kit, Slide Tube Mounting Hardware	1	1
	A,B	8881070776	Footrest Support Assembly, Adult, Color - Right	1	1
	A,B	8881070777	Footrest Support Assembly, Adult, Color - Left	1	1

NOTE: A - Specify frame color when ordering, see page titled "Packaging, Literature, Frame Finishes and Touch-Up Paint"
 B - Not Shown
 C - As of 8/15/03, the Threaded Insert was revised from 3 to 5 Holes. Threaded Insert is Backward Compatible and does not require ordering in Pairs.

PW93ST Footrest Supports

Pin and Saddle



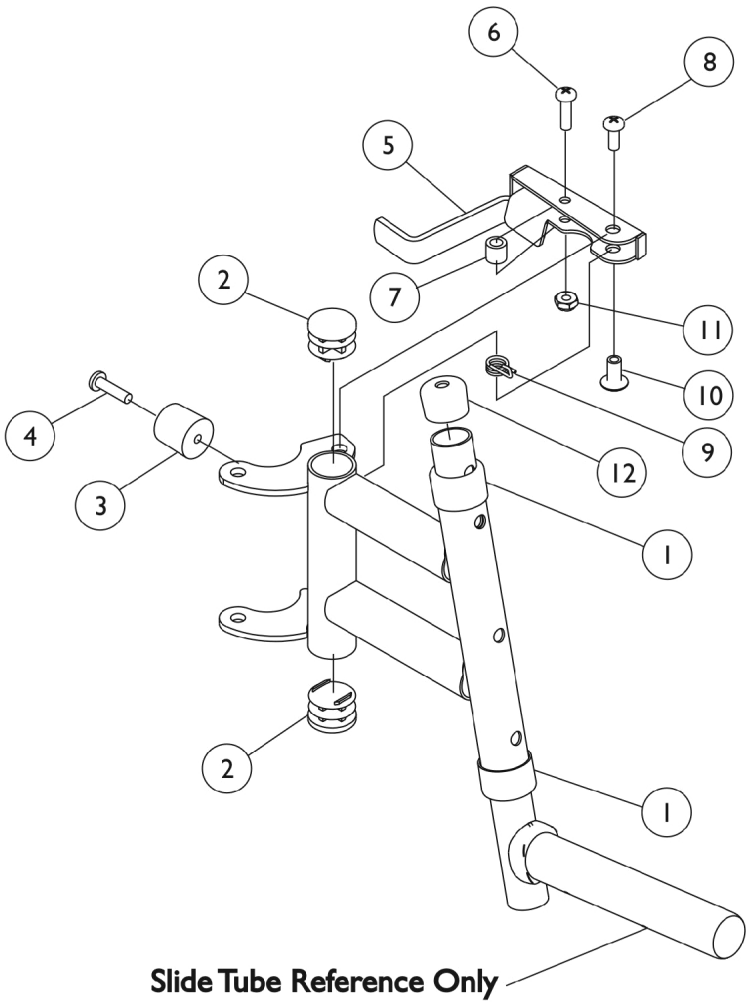
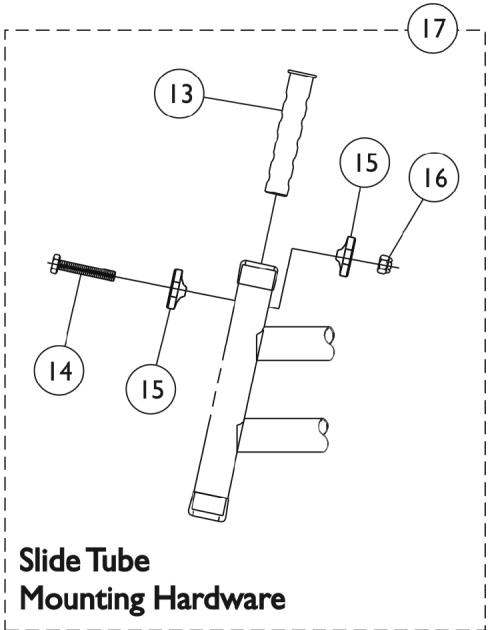
PW93ST Footrest Supports Pin and Saddle

Item Number	Note	Part Number	Description	Quantity Per	
				Package	Assembly
1		1025716	Screw, Phillips Pan Head (#10-32 x 11/16")	1	1
2		1026114	Screw, Phillips Pan Head (#10-32 x 1/2")	1	1
3		1035539	Handle, Release, Black - Right	1	1
3		1035540	Handle, Release, Black - Left	1	1
	A,C	1006490	Tip, Plastic, Black	1	1
	A,C	1026107	Screw, Phillips Pan Head (#10-32 x 1-3/8")	1	1
	A,C	1028485-NLA	NLA - Nut, Hex (#10-32)	1	1
4		1025735	Locknut (#10-32)	1	1
5		1028846-NLA	NLA - Rivnut (#10-32)	1	1
6		1030434-NLA	NLA - Cushion, Tubular Foam	1	1
7		1030435-NLA	NLA - Cover, Foam Cushion	1	1
8		1028707	Spring, Release - Right	1	1
8		1028708	Spring, Release - Left	1	1
9		47565X057	Bushing (7/32 x 3/8 x 11/32")	1	1
10		15680X012	Collar, Anti-Rattle (7/8")	1	1
11		1070759	Screw, Hex Head (1/4-20 x 1-1/2")	1	1
12		1026099	Spacer, Coved (1/4 x 11/16 x 1/2")	1	2
13		1044214	Nut, Hex with Nylon Cap (1/4-20)	1	1
14	D	1020534	Insert, Threaded	1	1
15		1074143	Kit, Slide Tube Mounting Hardware	1	1
	B,C	8881070784-NL A	NLA - Footrest Support Assembly, Adult, Color - Right	1	1
	B,C	8881070785-NL A	NLA - Footrest Support Assembly, Adult, Color - Left	1	1

NOTE: A - These items are only required on release handles for chairs built before 10/1/00.
 B - Specify frame color when ordering, see page titled "Packaging, Literature, Frame Finishes and Touch-Up Paint"
 C - Not Shown
 D - As of 8/15/03, the Threaded Insert was revised from 3 to 5 Holes. Threaded Insert is Backward Compatible and does not require ordering in Pairs.

PW93E Footrest Supports

Pin and Saddle



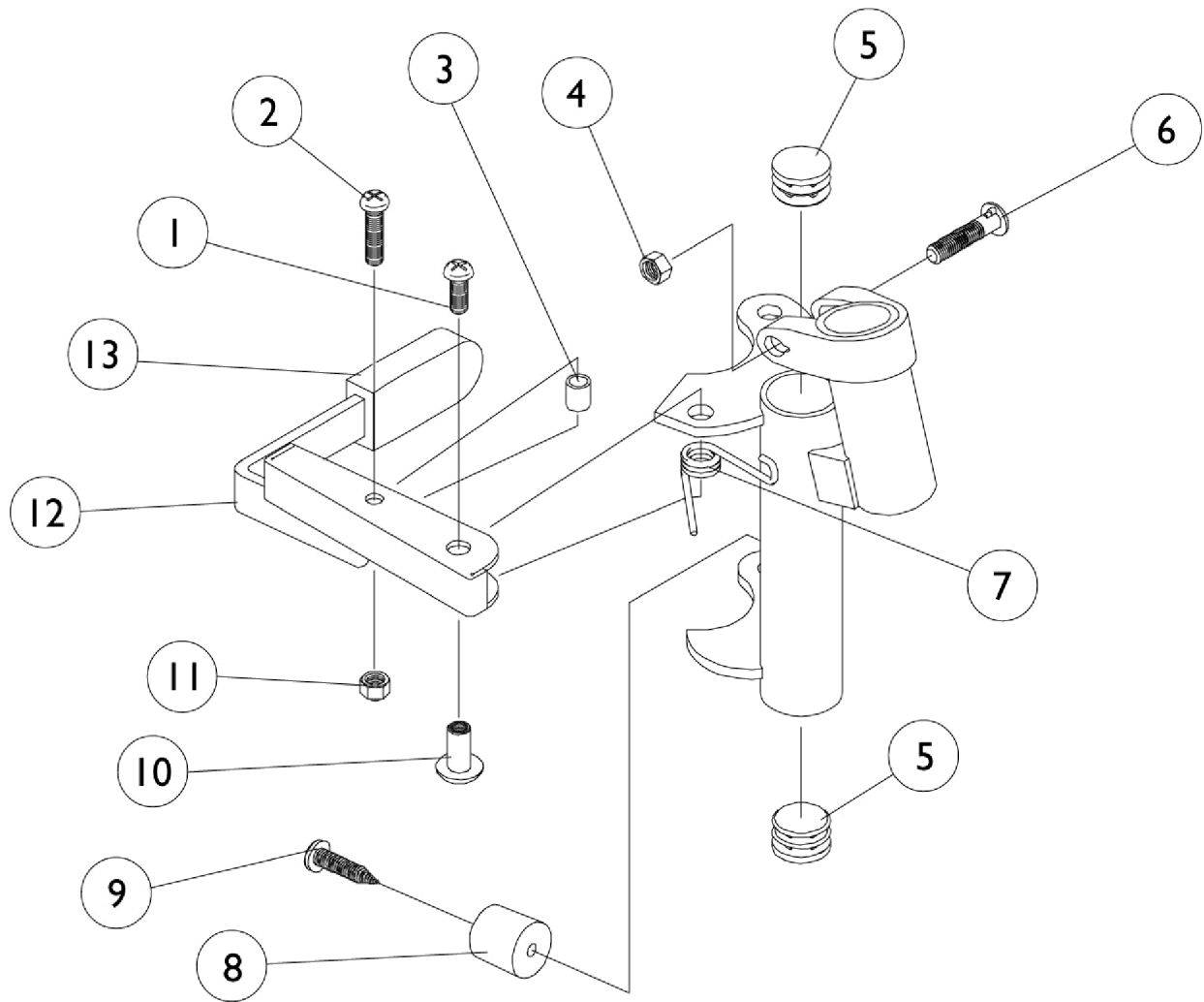
PW93E Footrest Supports Pin and Saddle

Item Number	Note	Part Number	Description	Quantity Per	
				Package	Assembly
1		15680X012	Collar, Anti-Rattle (7/8")	1	2
2		1027095	Plug Button, Black (7/8")	1	2
3		1022874	Bumper	1	1
4		1030979	Screw, Phillips Pan Head Tap (#10-32 x 3/4")	1	1
5		1035539	Handle, Release, Black - Right	1	1
5		1035540	Handle, Release, Black - Left	1	1
6		1025716	Screw, Phillips Pan Head (#10-32 x 11/16")	1	1
7		47565X057	Bushing (7/32 x 3/8 x 11/32")	1	1
8		1026114	Screw, Phillips Pan Head (#10-32 x 1/2")	1	1
9		1028707	Spring, Release - Right	1	1
9		1028708	Spring, Release - Left	1	1
10		1028846-NLA	NLA - Rivnut (#10-32)	1	1
11		1025735	Locknut (#10-32)	1	1
12		1074108	Cap, End Tube, Black (3/4")	1	1
13	C	1020534	Insert, Threaded	1	1
14		1070759	Screw, Hex Head (1/4-20 x 1-1/2")	1	1
15		1026099	Spacer, Coved (1/4 x 11/16 x 1/2")	1	2
16		1044214	Nut, Hex with Nylon Cap (1/4-20)	1	1
17		1074143	Kit, Slide Tube Mounting Hardware	1	1
	A,B	8881070768-NL A	NLA - Footrest Support Assembly, Adult, Color - Right	1	1
	A,B	8881070769-NL A	NLA - Footrest Support Assembly, Adult, Color - Left	1	1

NOTE: A - Specify frame color when ordering, see page titled "Packaging, Literature, Frame Finishes and Touch-Up Paint."
 B - Not Shown
 C - As of 8/15/03, the Threaded Insert was revised from 3 to 5 Holes. Threaded Insert is Backward Compatible and does not require ordering in Pairs.

P93M Footrest Supports

Pin and Saddle



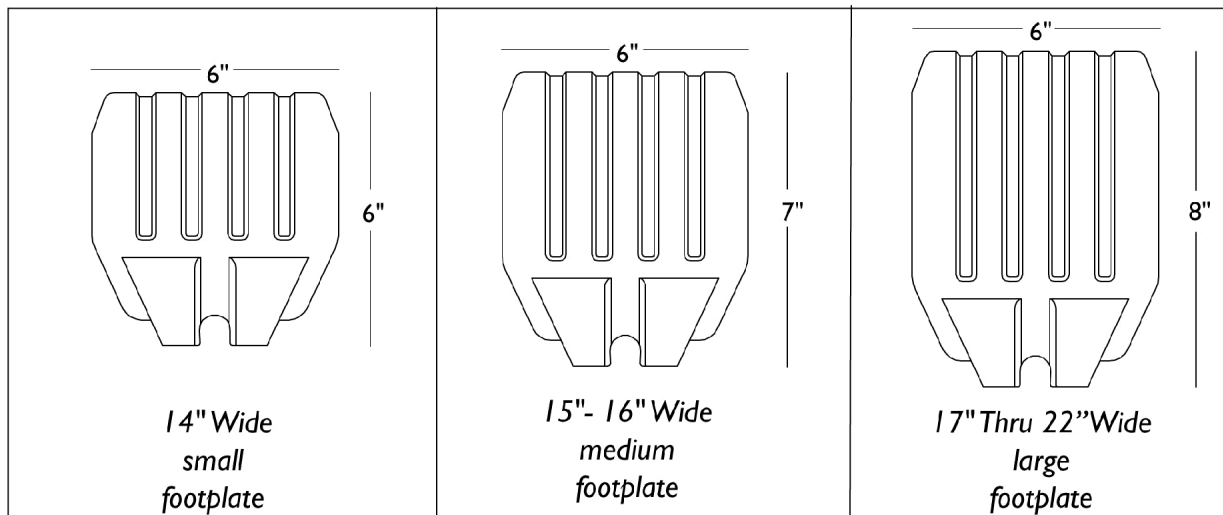
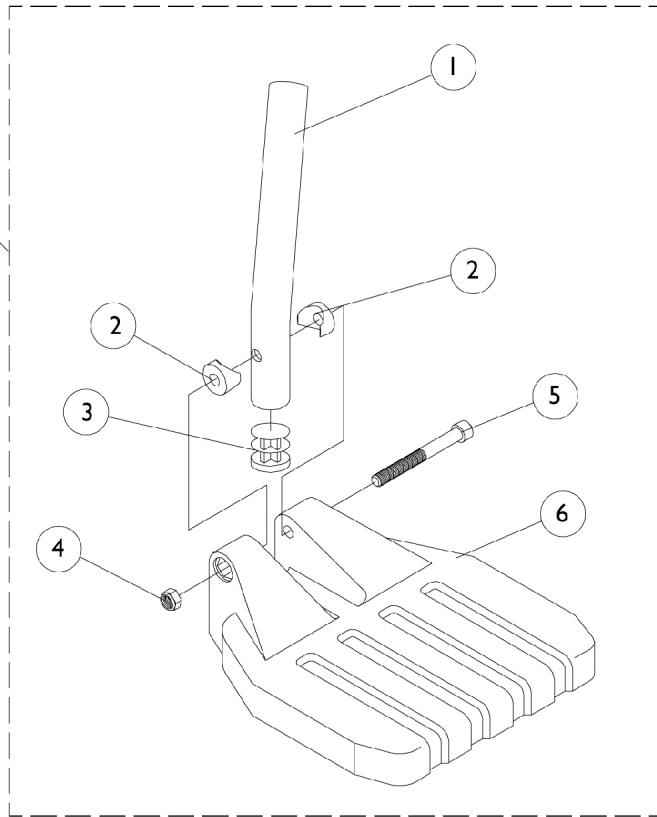
P93M Footrest Supports Pin and Saddle

Item Number	Note	Part Number	Description	Quantity Per	
				Package	Assembly
1		7930359-NLA	NLA - Package, Screw, Phillips Pan Head (#10-32 x 1/2")	25	1
2		7930360-NLA	NLA - Package, Screw, Phillips Pan Head (#10-32 x 11/16")	25	1
3		47565X057	Bushing (7/32 x 3/8 x 11/32")	1	1
4		1107321	Nut, Low Cap (5/16"-24)	1	1
5		1027095	Plug Button, Black (7/8")	2	1
6		11232X009	Bolt, Lug (5/16-24 x 1-3/8")	1	1
7		1008935	Spring, Release - Right	1	1
7		1008936	Spring, Release - Left	1	1
8		1022874	Bumper	1	1
9		1030979	Screw, Phillips Pan Head Tap (#10-32 x 3/4")	1	1
10		67005X000	Rivnut (#10-32)	1	1
11		7930365-NLA	NLA - Locknut (#10-32)	25	1
12		1035539	Handle, Release, Black - Right	1	1
12		1035540	Handle, Release, Black - Left	1	1
13		1006490	Tip, Plastic, Black	1	1
	A,B	8881037836-NL A	NLA - Footrest Support Assembly, Adult, Color - Right	1	1
	A,B	8881037837-NL A	NLA - Footrest Support Assembly, Adult, Color - Left	1	1

NOTE: A - Specify frame color when ordering, see page titled "Packaging, Literature, Frame Finishes and Touch-Up Paint"
B - Not Shown

Pivot/Slide Tube and Composite (1651) Footplates

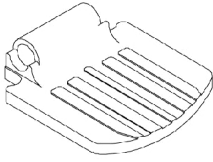
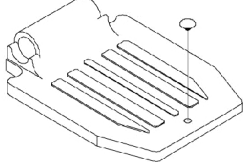
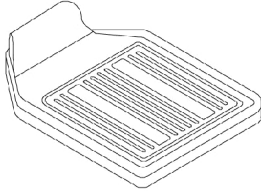
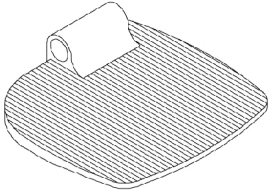
For complete pivot/slide tube and footplates see Front Riggings Reference Chart page.



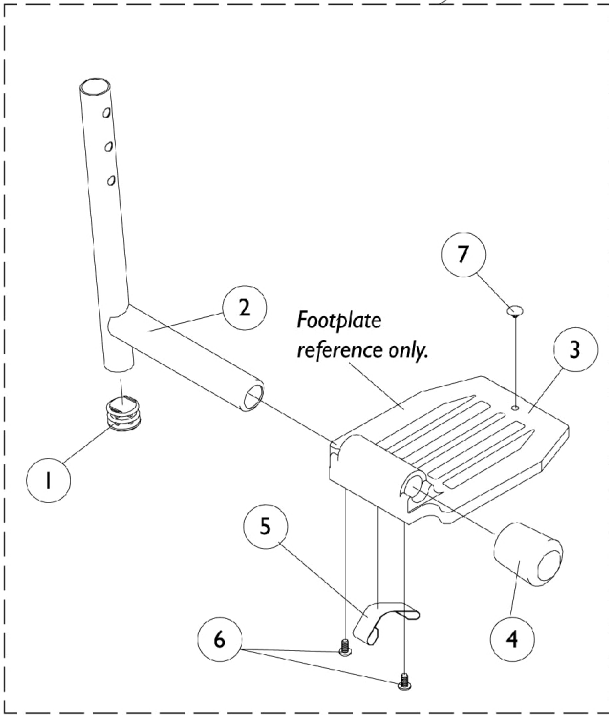
Pivot/Slide Tube and Composite (1651) Footplates

Item Number	Note	Part Number	Description	Quantity Per	
				Package	Assembly
1	A	1057852	Tube, Pivot/Slide, Curved End, Steel, Black (9-7/8")	1	1
1	A	1057854	Tube, Pivot/Slide, Curved End, 2" Longer, Steel, Black	1	1
1	A	1058418	Tube, Pivot/Slide, Curved End, 4" Longer, Steel, Black	1	1
2		1025457	Spacer, Coved (1/4 x 3/4 x 11/32")	1	2
3		1027097	Plug Button, Black (3/4")	1	1
4		7930323-NLA	NLA - Package, Locknut (1/4-20)	25	1
5		7930366	Package, Socket Head Screw (1/4-20 x 2-1/4")	25	1
6	C	1026879	Footplate, Composite, Small, Black (6" W x 6" L)	1	1
6	D	1026880	Footplate, Composite, Medium, Black (7" W x 6" L)	1	1
6	E	1026881	Footplate, Composite, Large, Black (8" W x 6" L)	1	1
6	B,F	1026879	Footplate, Composite, Small, Black (6" W x 6" L)	1	1
6	B,G	1026880	Footplate, Composite, Medium, Black (7" W x 6" L)	1	1
6	B,H	1026881	Footplate, Composite, Large, Black (8" W x 6" L)	1	1
NOTE: A - Curved B - 70STAPER and PW93ST Only C - 14" Wide D - 15-16" Wide E - 17-22" Wide F - 15-17" Wide G - 18-19" Wide H - 20-22" Wide					

Pivot/ Slide Tube and STD. (1650), Deluxe (1450) and X-Large (1350) Aluminum Footplates

			
<p>14" Wide 1650 Standard Alum.</p>	<p>16"-22" Wide 1650 Standard Alum.</p>	<p>16"-22" Wide 1450 Deluxe Alum.</p>	<p>14"-22" Wide 1350 X-Large Alum.</p>

For complete pivot/slide tube and footplates see Front Riggings Reference Chart page.



Pivot/ Slide Tube and STD. (1650), Deluxe (1450) and X-Large (1350) Aluminum Footplates

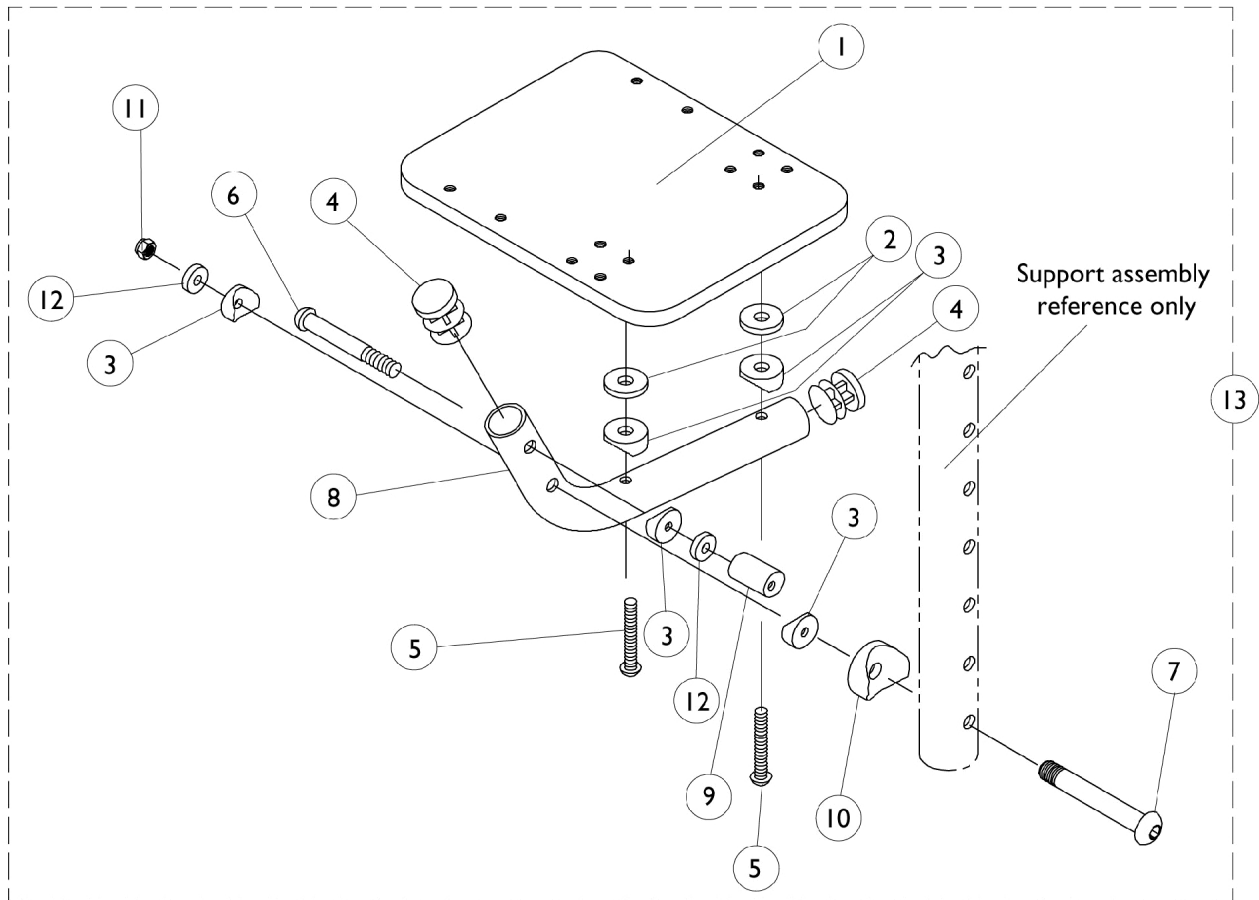
Item Number	Note	Part Number	Description	Quantity Per	
				Package	Assembly
1		1027097	Plug Button, Black (3/4")	1	1
2	A,F	1048834	Pivot/Slide Tube w/ Plug Button, Black	1	1
2	A	1086481-NLA	NLA - Pivot/Slide Tube w/ Plug Button, Black (2" Longer)	1	1
2	A,F	1086482	Pivot/Slide Tube w/ Plug Button, Black (4" Longer)	1	1
2	B,F	1041526	Pivot/Slide Tube w/ Plug Button Assembly, Chrome	1	1
2	C,F	1041527	Pivot/Slide Tube w/ Plug Button, Black	1	1
2	F	1086479-NLA	NLA - Pivot/Slide Tube w/ Plug Button, Black (2" Longer)	1	1
2	F	1086480-NLA	NLA - Pivot/Slide Tube w/ Plug Button, Black (4" Longer)	1	1
2	C,E	1041527	Pivot/Slide Tube w/ Plug Button, Black	1	1
2	B	1041526	Pivot/Slide Tube w/ Plug Button Assembly, Chrome	1	1
2	C	1041525-NLA	NLA - Pivot/Slide Tube w/ Plug Button, Deluxe Aluminum, Black	1	1
2	D	1100568-NLA	NLA - Pivot/Slide Tube w/ Plug Button, Black	1	1
2	D	1100569-NLA	NLA - Pivot/Slide Tube Assembly, Extra Large, Standard Aluminium - 2" Longer, Black	1	1
2	D,E,F	1100570-NLA	NLA - Pivot/Slide Tube w/ Plug Button, Black (4" Longer)	1	1
2	D,G	1100571-NLA	NLA - Pivot/Slide Tube w/ Plug Button, Deluxe, Black	1	1
3		44200X059	Footplate, Aluminum, Small, Black (6-3/4" W x 6" L)	1	1
3		44200X027	Footplate, Aluminum, Medium, Black (7-3/4" W x 6" L)	1	1
3		1043659-NLA	NLA - Footplate, Aluminum, Deluxe, Black - Right (8" W x 5-3/4" L)	1	1
3		1043660-NLA	NLA - Footplate, Aluminum, Deluxe, Black - Left (8" W x 5-3/4" L)	1	1
3		1002343	Footplate, Aluminum, Extra Large, Black - Right (7" W x 8-1/2" L)	1	1
3		1002344	Footplate, Aluminum, Extra Large, Black - Left (7" W x 8-1/2" L)	1	1
3		44200X025	Footplate, Aluminum, Extra Large, Black - Right (8" W x 8-1/2" L)	1	1
3		44200X026	Footplate, Aluminum, Extra Large, Black - Left (8" W x 8-1/2" L)	1	1
4	E	1016346	Cap, End, Tube, Black (7/8")	1	1
4	F	1027095	Plug Button, Black (7/8")	1	1
5	E,H	1006981	Spring, Tension	1	2
5	G,H	1036120-NLA	NLA - Spring	1	2
5	F,J	1036123	Spring, Leaf	1	1
6	I	7930354-NLA	NLA - Package, Phillips Head Screw (#8-32 x 3/8")	1	2
7		1070168	Plug, Push, Footplate	1	1

Pivot/ Slide Tube and STD. (1650), Deluxe (1450) and X-Large (1350) Aluminum Footplates

NOTE: A - 60MFX, 60HD, 70NHD, PW93, PW93E
B - PAL4
C - P93M
D - P904, AT5544
E - Standard Aluminium Footplate
F - Extra Large Footplate
G - Deluxe
H - Takes (2) per side
I - Takes (1) per side
J - Use one or more leaf springs per assembly as required such that footplate may be moved by hand to the up-right position and remain in place.

Flip-Up Footplates (AT5043)

70 Degree MFX and 90 Degree Swingaway Supports



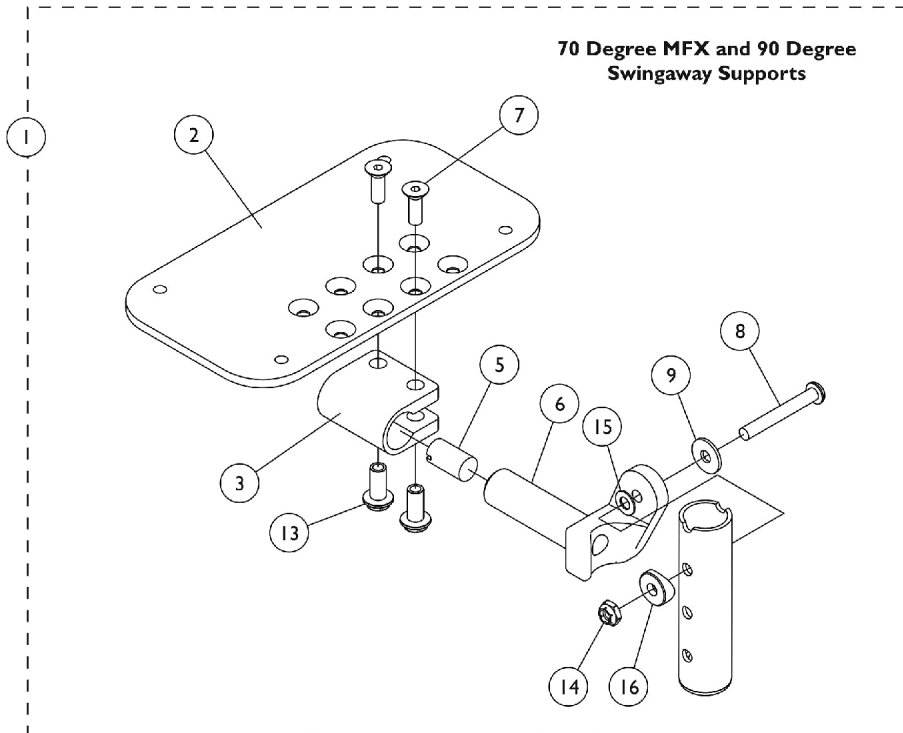
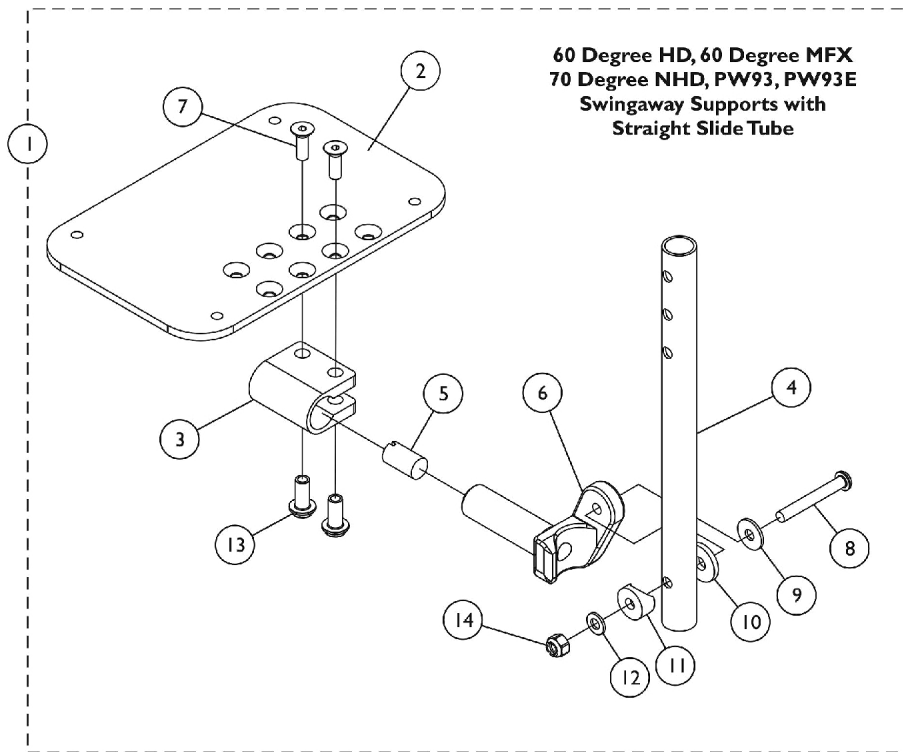
Flip-Up Footplates (AT5043)

70 Degree MFX and 90 Degree Swingaway Supports

Item Number	Note	Part Number	Description	Quantity Per	
				Package	Assembly
1		1044082-NLA	NLA - Footplate, Black (4-1/4" W x 5-1/4" L) (12" W)	1	1
2		1029454-NLA	NLA - Washer, Nylon (3/16 x 3/4 x 5/32")	1	2
3		1025457	Spacer, Coved (1/4 x 3/4 x 11/32")	1	5
4		1027097	Plug Button, Black (3/4")	1	2
5		1163311	Screw, Socket Button Head (10-32 x 1-1/4")	1	2
6		1008495	Screw, Socket Button Head (1/4-20 x 1-1/2")	1	1
7		1023967-NLA	NLA - Screw, Socket Button Head (1/4-20 x 2-5/8")	1	1
8		1029428-NLA	NLA - Tube, Footrest, Black	1	1
9		1028417-NLA	NLA - Cam, Adjustment	1	1
10		40157X020	Spacer, Coved (1/4 x 1 x 9/16")	1	1
11		7930333	Locknut (1/4-20)	25	1
12		1018739	Washer (1/4 x 5/8 x 3/32")	1	2
13	A	1029434-NLA	NLA - Flip-Up Footplate Assembly, Black - Right	1	1
13	A	1029435-NLA	NLA - Flip-Up Footplate Assembly, Black - Left	1	1
NOTE: A - 12-16" Wide					

Adjustable Angle Footplates (AT5543)

60 Degree HD, 60 Degree MFX, 70 Degree MFX, PW93, PW93E and 90 Degree Swingaway Supports



Adjustable Angle Footplates (AT5543)

60 Degree HD, 60 Degree MFX, 70 Degree MFX, PW93, PW93E and 90 Degree Swingaway Supports

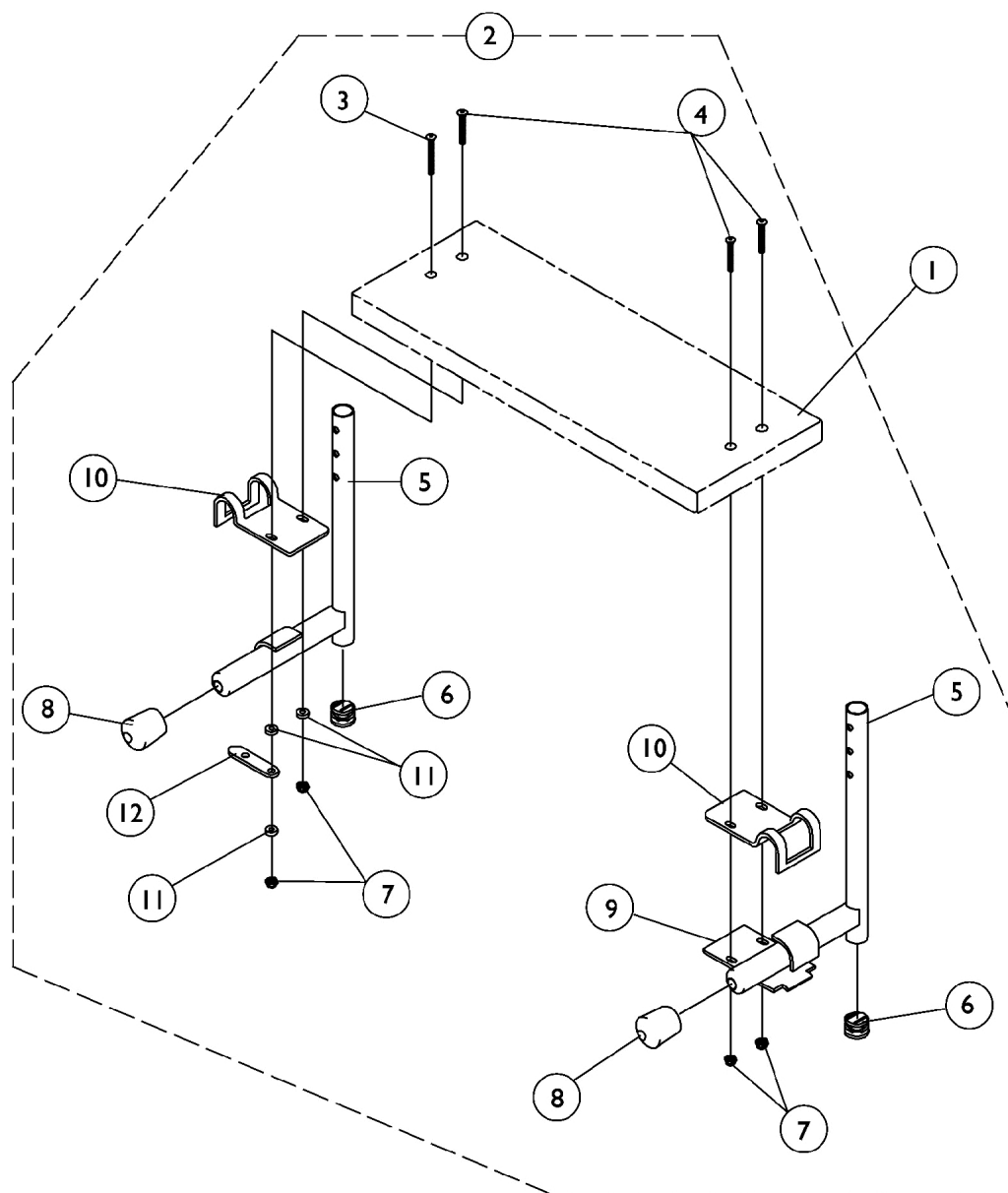
Item Number	Note	Part Number	Description	Quantity Per	
				Package	Assembly
1	E	See Chart	Pivot/Slide Tubes w/ Footplates	1	1
2	B,D	1113573	Footplate, Adjustable Angle, Large, Black (5-1/4" W x 8" L)	1	1
2	C,D	1113574	Footplate, Adjustable Angle, Extra Large, Black (6-1/4" W x 8" L)	1	1
3	A	1058517	Clamp, Footplate	1	1
4		1057855	Tube, Pivot and Slide, Straight, Steel, Black (9-7/8" L)	1	1
4		1057856	Tube, Pivot/Slide, Straight, Steel, Black (11-7/8" L)	1	1
5		1048816	Screw, Nylon Adjustment (1/2-13 x 7/8")	1	1
6		1052103	Hinge, Footplate - Left	1	1
6		1052102	Hinge, Footplate - Right	1	1
7	A	1029545	Screw, Socket Flat Head (1/4-20 x 3/4")	1	2
8		7930321-NLA	NLA Package, Screw, Socket Button Head (1/4-20 x 1-7/8")	25	1
9		1026900	Washer (1/4 x 23/32 x 1/16")	1	1
10		7930313	Package, Washer, Nylon (5/16 x 7/8 x 1/8")	25	1
11		1025457	Spacer, Coved (1/4 x 3/4 x 11/32")	1	1
12		1026907	Washer (1/4 x 1/2 x 1/16")	1	1
13	A	1082686	Nut, Barrel, Hex Head (1/4-20 x 11/16")	1	2
14		7930333	Locknut (1/4-20)	25	1
15		1036435	Washer, Nylon (1/4 x 7/8 x 1/32")	1	1
16		1026099	Spacer, Coved (1/4 x 11/16 x 1/2")	1	1

NOTE: A - Items 3, 7 and 13 must be ordered together for chairs manufactured before 8/10/99 due to a hardware change.
 B - For 14-15" wide chairs.
 C - For 16" and wider chairs.
 D - This footplate was revised 9/2/2008 with rounder corners and accessory holes changed from 8 to 4. Recommended to replace footplate in pairs to match sides.
 E - Includes Items 2 thru 16.

#1 Pivot/Slide Tube w/ Footplate Assemblies

Rigging	90 and 70 MFX	60HD, 60MFX, 70NHD, PW93, PW93E (9-7/8" Slide Tube)	60HD, 60MFX, 70NHD, PW93, PW93E (11-7/8" Slide Tube)
5-1/4" Footplate, Right	1060438	1060444	1062758
5-1/4" Footplate, Left	1060439	1060445	1062759
6-1/4" Footplate, Right	1062570	1062756	1062760
6-1/4" Footplate, Left	1062571	1062757	1062761

S1263 One Piece Wooden Footboard and Hardware



S1263 One Piece Wooden Footboard and Hardware

Item Number	Note	Part Number	Description	Quantity Per	
				Package	Assembly
1	A B	See Chart	#1 One Piece Wooden Footboard without Hardware	1	1
		See Chart	Heel Loop Hardware Packages (not shown)	1	1
2		1054573	Kit, Wooden Footboard Mounting Hardware	1	1
3			NLA - Screw, Phillips Oval Head (#10-32 x 1-1/2")	1	1
4			NLA - Screw, Phillips Oval Head (#10-32 x 1-1/4")	1	3
5			Tube, Pivot/Slide, Chrome - Right (9-1/2" L)	1	1
5			Tube, Pivot/Slide, Chrome - Left (9-1/2" L)	1	1
6			Plug Button, Black (3/4")	1	2
7			Locknut (#10-32)	1	4
8			Cap, End, Tube, Black (7/8")	1	2
9			Lock, Pad Plate, Legrest, Black	1	1
10			Clamp, Black	1	2
11		NLA - Washer, Nylon (3/16 x 7/16 x 1/8")	1	3	
12		NLA - Link, Locking, Chrome	1	1	

NOTE: A - Not Shown.
B - Includes items 3-12

#1 One Piece Wooden Footboard without Hardware

NOTE: When selecting a wooden footboard for PW93ST Tapered Footrest, order a 3" narrower footboard to accommodate the 1.5" footrest taper per side. Example: 17" wide chair will use a 14" wide chair footboard. S1263 option is not available for tapered footrest less than 17" wide.

Footrest-Footboard w/ Heel Loop Holes Part Number	Footrest-Footboard w/o Heel Loop Holes Part Number	Chair Width	Footboard Width	Footboard Depth
1034245-NLA	48247X003-NLA	14"	11-5/8"	6"
1034246-NLA	1031910-NLA	15"	12-1/2"	6"
1034247-NLA	48247X001-NLA	16"	13-3/4"	6"
1034248-NLA	1031911-NLA	17"	14-1/2"	6"
1034249-NLA	48247X000-NLA	18"	15-9/16"	6"
1034250-NLA	1031912-NLA	19"	16-1/2"	6"
1034251-NLA	1031913-NLA	20"	17-1/2"	6"
1034252-NLA	1031914-NLA	21"	18-1/2"	6"
1034253-NLA	1031915-NLA	22"	19-1/2"	6"

S1263 One Piece Wooden Footboard and Hardware

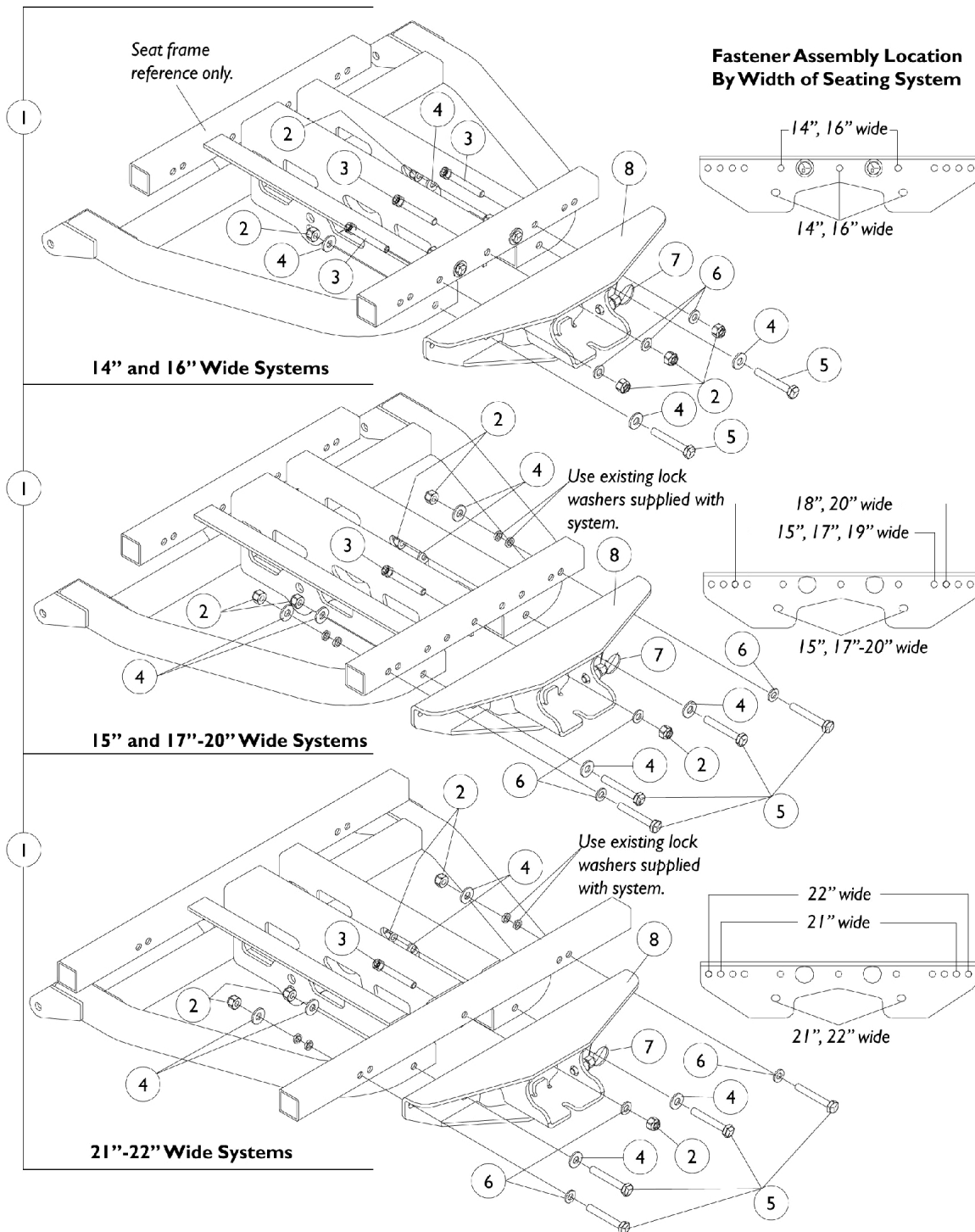
Heel Loop Hardware Packages (not shown)

(All hardware is included to attach heel loops to footboard.)

Chair Width	Part Number	Package Includes
14-15" Wide	1033904-NLA	2 each Heel Loops 4 each Screw, PPH (1/4-20 x 3") 4 each Spacer (1/4 x 11/32 x 1-3/4") 4 each Locknut (1/4-20)
16"-24" Wide	1033905-NLA	2 each Heel Loops 4 each Screw, PPH (1/4-20 x 3") 4 each Spacer (1/4 x 11/32 x 1-3/4") 4 each Locknut (1/4-20)

90 WSBT Legreset Tube Support Assembly

Pronto R2 Made After 9/24/00 Only

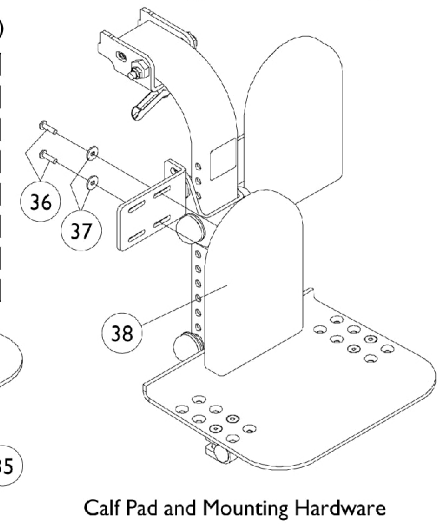
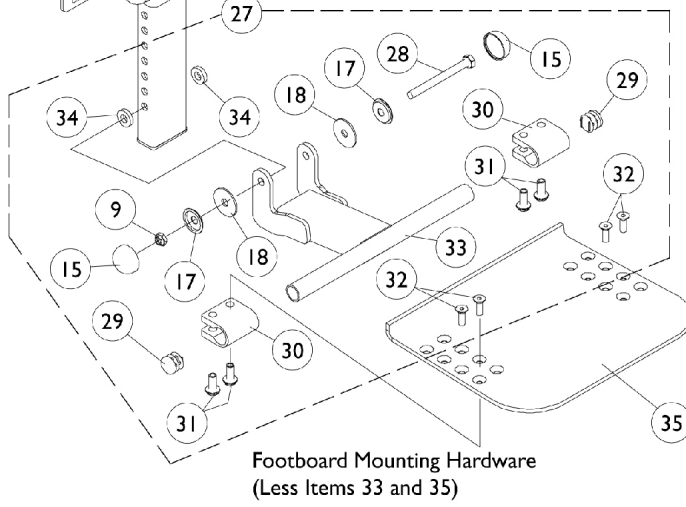
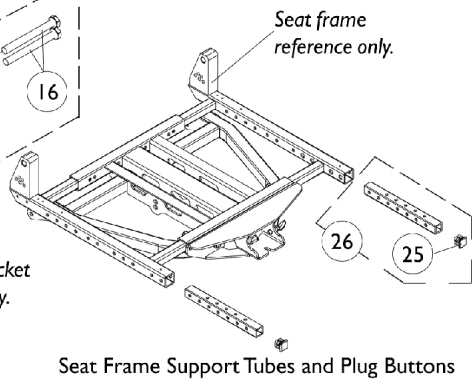
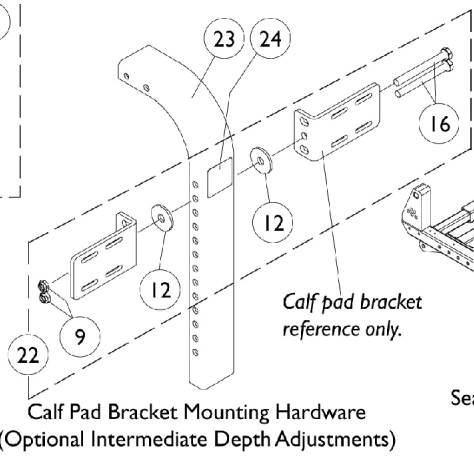
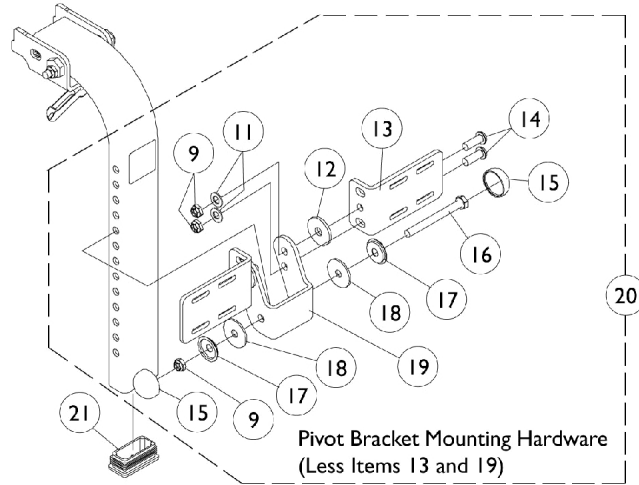
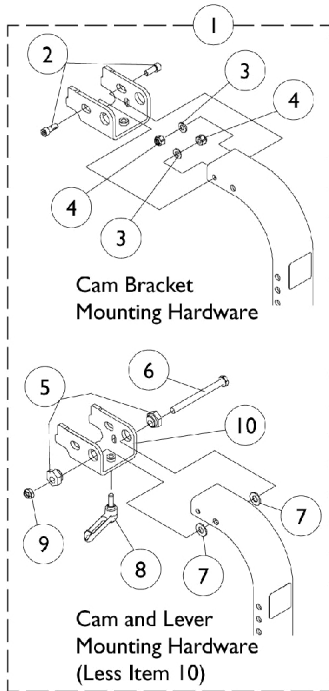


90 WSBT Legreset Tube Support Assembly Pronto R2 Made After 9/24/00 Only

Item Number	Note	Part Number	Description	Quantity Per	
				Package	Assembly
1		1101084-NLA	NLA - Kit, Legrest Tube Support and Hardware, Black (14" and 16" W)	1	1
1		1101085-NLA	NLA - Kit, Legrest Tube Support and Hardware, Black (15" and 17 - 20" W)	1	1
1		1101086-NLA	NLA - Kit, Legrest Tube Support and Hardware, Black (21 - 22" W)	1	1
2		7930333	Locknut (1/4-20)	25	5
3	A	1003424	Screw, Socket Head (1/4-20 x 1-3/4")	1	3
4	B	20105X000-NLA	NLA - Washer, Flat (1/4 x 5/8 x 1/16")	1	4
5	C	1024793-NLA	NLA - Screw, Hex Head (1/4-20 x 1-3/4")	1	2
6		1026907	Washer (1/4 x 1/2 x 1/16")	1	3
7		1099506-NLA	NLA - Pin, Pop	1	1
8		1101083-NLA	NLA - Legrest Support with Pin Assembly, Black	1	1
NOTE: A - 14" and 16" Wide has 3 ea. assembly where as 15", 17"20" and 21" - 22" Wide has 1 ea. assembly. B - 14" and 16" Wide has 4 ea. assembly where as 15", 17"20" and 21" - 22" Wide has 6 ea. assembly. C - 14" and 16" Wide has 2 ea. assembly where as 15", 17"20" and 21" - 22" Wide has 4 ea. assembly.					

90 WSBT Footboard Assembly 16"-18" Deep

Pronto R2 Made After 9/24/00 Only



90 WSBT Footboard Assembly 16"-18" Deep Pronto R2 Made After 9/24/00 Only

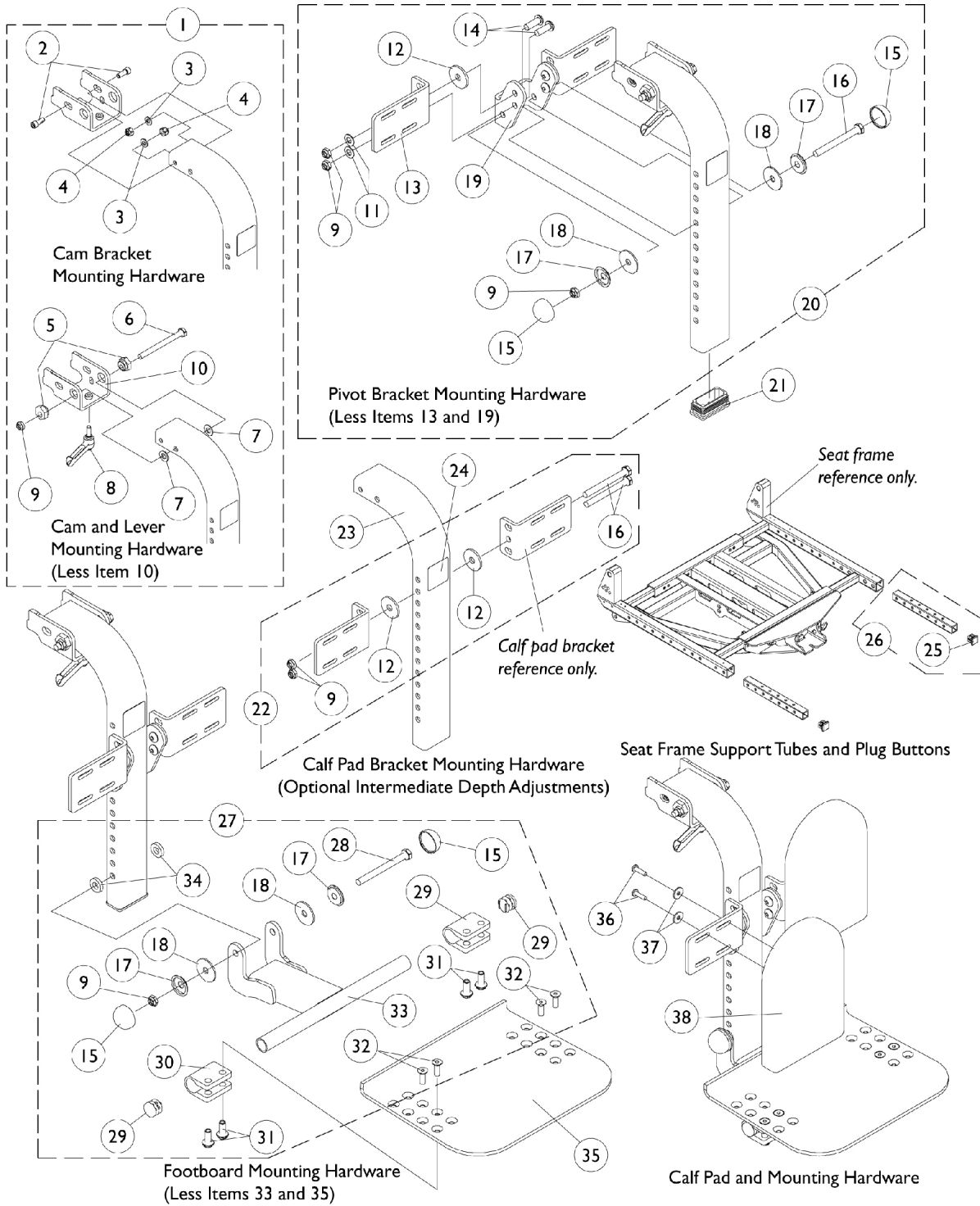
Item Number	Note	Part Number	Description	Quantity Per	
				Package	Assembly
1	B	1101542-NLA	NLA - Hardware, Cam Bracket Mounting	1	1
2		1007219	Screw, Socket Head (1/4-20 x 5/8")	1	2
3		1026907	Washer (1/4 x 1/2 x 1/16")	1	2
4		7930333	Locknut (1/4-20)	25	2
5		1091547-NLA	NLA - Cam, Mounting Bracket, Upper	1	2
6		1037110	Screw, Hex Head (5/16-24 x 3-1/2")	1	1
7		1026032	Washer, Nylon (11/32 x 11/16 x 1/16")	1	2
8		1099502-NLA	NLA - Lever, Adjustment	1	1
9		7930330-NLA	NLA - Locknut (5/16-24)	25	9
10		1099494-NLA	NLA - Bracket, Cam with Fastener, Black	1	1
11		1025704	Washer, Flat (5/16 x 5/8 x 1/16")	1	4
12		1071487-NLA	NLA - Washer, Nylon (23/64 x 1-15/64 x 7/64")	1	4
13		1099500-NLA	NLA - Bracket, Calf Pad Mounting, Black	1	2
14		1099504-NLA	NLA - Screw, Socket Button Head (5/16-24 x 7/8")	1	4
15		1028835-NLA	NLA - Cap, Hub, Black	1	4
16		1028600-NLA	NLA - Screw, Hex Head (5/16-24 x 3")	1	3
17		1028491-NLA	NLA - Washer, Caplugs (11/32" I.D. x 1" O.D.)	1	4
18		1092409	Washer, Steel (5/16 x 1-1/4 x 1/16")	1	4
19		1099499-NLA	NLA - Bracket, Pivot, Black	1	1
20	C	1101543-NLA	NLA - Hardware, Pivot Bracket Mounting	1	1
21		1101088-NLA	NLA - Plug Button, Rectangular	1	1
22	D	1101092-NLA	NLA - Hardware, Calf Pad Bracket Mounting	1	1
23		1101541-NLA	NLA - Tube, Legrest with Warning Decal	1	1
24		1098331-NLA	NLA - Decal, Warning	1	1
25		0062200-NLA	NLA - Plug Button, Square (3/4")	1	2
26		1096519-NLA	NLA - Support Tube w/ Plug Button, Black	1	2
27	E	1101544-NLA	NLA - Hardware, Footboard Mounting	1	1
28		1025705-NLA	NLA - Screw, Hex Head (5/16-24 x 3-1/4")	1	1
29		1027097	Plug Button, Black (3/4")	1	2
30		1058517	Clamp, Footplate	1	2
31		1082686	Nut, Barrel, Hex Head (1/4-20 x 11/16")	1	4
32		1029545	Screw, Socket Flat Head (1/4-20 x 3/4")	1	4
33		1090551-NLA	NLA - Bracket, Footboard Pivot, Black	1	1
34		1074210-NLA	NLA - Washer, Nylon (23/64 x 3/4 x 5/32")	1	2
35	F	1094613-NLA	NLA - Footboard, Black (18" W)	1	1
36		7930328-NLA	NLA - Package, Screw, Phillips Pan Head (#10-32 x 11/16")	25	4
37		1070587	Washer, Flat (3/16 x 5/8 x 1/16")	1	4
38	A	88804529X003	Pad, Legrest, Vinyl - Right	1	1
38	A	88804529X004	Pad, Legrest, Vinyl - Left	1	1

90 WSBT Footboard Assembly 16"-18" Deep

Pronto R2 Made After 9/24/00 Only

NOTE: A - Specify U67 black upholstery color when ordering.
B - Includes Items 2-9
C - Includes Items 9, 11, 12 and 14-18
D - Includes Items 9, 12 and 16
E - Includes Items 9, 15, 17, 18 and 28-34
F - 18" Wide

90 WSBT Footboard Assembly, 19"- 22" Deep Pronto R2 Made After 9/24/00 Only



90 WSBT Footboard Assembly, 19"- 22" Deep Pronto R2 Made After 9/24/00 Only

Item Number	Note	Part Number	Description	Quantity Per	
				Package	Assembly
1	B	1101542-NLA	NLA - Hardware, Cam Bracket Mounting	1	1
2		1007219	Screw, Socket Head (1/4-20 x 5/8")	1	2
3		1026907	Washer (1/4 x 1/2 x 1/16")	1	2
4		7930333	Locknut (1/4-20)	25	2
5		1091547-NLA	NLA - Cam, Mounting Bracket, Upper	1	2
6		1037110	Screw, Hex Head (5/16-24 x 3-1/2")	1	1
7		1026032	Washer, Nylon (11/32 x 11/16 x 1/16")	1	2
8		1099502-NLA	NLA - Lever, Adjustment	1	1
9		7930330-NLA	NLA - Locknut (5/16-24)	25	9
10		1099494-NLA	NLA - Bracket, Cam with Fastener, Black	1	1
11		1025704	Washer, Flat (5/16 x 5/8 x 1/16")	1	4
12		1071487-NLA	NLA - Washer, Nylon (23/64 x 1-15/64 x 7/64")	1	4
13		1099500-NLA	NLA - Bracket, Calf Pad Mounting, Black	1	2
14		1099504-NLA	NLA - Screw, Socket Button Head (5/16-24 x 7/8")	1	4
15		1028835-NLA	NLA - Cap, Hub, Black	1	4
16		1028600-NLA	NLA - Screw, Hex Head (5/16-24 x 3")	1	3
17		1028491-NLA	NLA - Washer, Caplugs (11/32" I.D. x 1" O.D.)	1	4
18		1092409	Washer, Steel (5/16 x 1-1/4 x 1/16")	1	4
19		1099499-NLA	NLA - Bracket, Pivot, Black	1	1
20	C	1101543-NLA	NLA - Hardware, Pivot Bracket Mounting	1	1
21		1101088-NLA	NLA - Plug Button, Rectangular	1	1
22	D	1101092-NLA	NLA - Hardware, Calf Pad Bracket Mounting	1	1
23		1101541-NLA	NLA - Tube, Legrest with Warning Decal	1	1
24		1098331-NLA	NLA - Decal, Warning	1	1
25		0062200-NLA	NLA - Plug Button, Square (3/4")	1	2
26		1096519-NLA	NLA - Support Tube w/ Plug Button, Black	1	2
27	E	1101544-NLA	NLA - Hardware, Footboard Mounting	1	1
28		1025705-NLA	NLA - Screw, Hex Head (5/16-24 x 3-1/4")	1	1
29		1027097	Plug Button, Black (3/4")	1	2
30		1058517	Clamp, Footplate	1	2
31		1082686	Nut, Barrel, Hex Head (1/4-20 x 11/16")	1	4
32		1029545	Screw, Socket Flat Head (1/4-20 x 3/4")	1	4
33		1090551-NLA	NLA - Bracket, Footboard Pivot, Black	1	1
34		1074210-NLA	NLA - Washer, Nylon (23/64 x 3/4 x 5/32")	1	2
35		1094613-NLA	NLA - Footboard, Black (18" W)	1	1
36		7930328-NLA	NLA - Package, Screw, Phillips Pan Head (#10-32 x 11/16")	25	4
37		1070587	Washer, Flat (3/16 x 5/8 x 1/16")	1	4
38	A	88804529X003	Pad, Legrest, Vinyl - Right	1	1
38	A	88804529X004	Pad, Legrest, Vinyl - Left	1	1

90 WSBT Footboard Assembly, 19"- 22" Deep

Pronto R2 Made After 9/24/00 Only

NOTE: A - Specify U67 black upholstery color when ordering
B - Includes Items 2-9
C - Includes Items 9, 11, 12 and 14-18
D - Includes Items 9, 12 and 16
E - Includes Items 9, 15, 17, 18 and 28-34

90 WSBT Footboard Assembly Kit, 16" - 22" Deep Pronto R2 Made After 9/24/00 Only

Part Number	Description	Quantity Per Package	Quantity Per Assembly
1101545-NLA See Note(s) A	90WSBT Footboard Assembly Kit 16"-22" Deep	1	1
1099491	Footboard Assembly 90 Degree	1	1
1101083-NLA	Support w/ Pin, Legrest Tube	1	1
1003424	Screw, Socket Head Cap (1/4-20 x 1-3/4")	1	3
1026907	Locknut (1/4-20)	1	3
7930333	Locknut (1/4-20)	25	5
20105X000-NLA	Washer, Flat (1/4 x 5/8 x 1/16")	1	6
1024793-NLA	Screw, Hex Head Cap (1/4-20 x 1-3/4")	1	4
1028600-NLA	Screw, Hex Head Cap (5/16-24 x 3")	1	2
7930330-NLA	Locknut (5/16-24)	25	2
1100861-NLA	Instruction Sheet, Footboard Adjustment	1	1
1100863-NLA	Instruction Sheet, Footboard Mounting	1	1
1101410-NLA See Note(s) B	Packaging, Footboard Assembly, 90 Degree	3	1
1086767-NLA	Carton, Shipper	1	1
1021148-NLA	Bag, Poly Zip Lip (8-3/4" L x 6" W)	1	1
1021149-NLA	Bag, Poly Zip Lip (13" L x 9" W)	1	1
47568X003-NLA	Bag, Poly (30" L x 24" W)	1	1
1096519-NLA	Tube, Support w/ Plug Button	1	2
NOTE: A - Consists of all components listed below B - Consists of 3 Cable Ties 11 1/2 Long			

Footrest and Legrest Accessories

Item Number	Note	Part Number	Description	Quantity Per	
				Package	Assembly
	A	1032243	Strap, Calf w/ Hook and Loop (36" L)	1	1
	A,C	1032215	H-Strap (26" L)	1	1
	A,D	1032216	H-Strap (31" L)	1	1
	A,B	8881038231	Kit, 3" Extension w/ Hardware (Pair)	2	1
	A	1026987	Guard, Impact (8" L)	1	2
	A	See Chart	Heel Loops and Hardware (Not Including the AT5043 and AT5543)	1	1
	A	See Chart	Attaching Hardware Part Numbers (Not Including AT5043 and AT5543)	1	1
	A	See Chart	AT5043 and AT5543 Heel Loops, Heel Loops w/ Ankle Straps and Hardware	1	1
	A	See Chart	Toe Loops and Hardware	1	1

NOTE: A - Not Shown. For 70 deg. Tapered Footrest.
 B - Specify frame color when ordering. See page titled "Frame Finishes and Touch-Up Paints".
 C - 14"-16" wide
 D - 17"-22" wide

Footplate Type	Chair Width	Heel Loop Single #	Heel Loop Pair #	Heel Loop w/ Ankle Strap Single # Rt.	Heel Loop w/ Ankle Strap Single # Lt.	Heel Loop w/ Ankle Strap Pair #	Attaching Hardware Pair #
Composite Small (1651)	14" W or 16-17" W Tapered	1028412-NLA	1035912-NLA	1035908-NLA	1035909-NLA	1035906	1035931
Composite Medium (1651)	15-16" W or 18-19" W Tapered	1017621	1035917-NLA	1035919	1035920	1035918	1035931
Composite Large (1651)	17-21" W or 20-21" W Tapered	1017621	1035917-NLA	1035932-NLA	1035933-NLA	1035930	1035931
Composite Large (1651)	22" W or 22" W Tapered	1027000	1035929	1035932-NLA	1035933-NLA	1035930	1035931
Standard Aluminum (1650)	14-15" W	1025234-NLA	1035905	1035908-NLA	1035909-NLA	1035906	1035907
Standard Aluminum (1650)	16-22" W	1017621	1035917-NLA	1035919	1035920	1035918	1035907
Deluxe Aluminum (1450)	16-22" W	1017621	1035917-NLA	1035919	1035920	1035918	1086112-NLA

Footrest and Legrest Accessories

Footplate Type	Chair Width	Heel Loop Single #	Heel Loop Pair #	Heel Loop w/ Ankle Strap Single # Rt.	Heel Loop w/ Ankle Strap Single # Lt.	Heel Loop w/ Ankle Strap Pair #	Attaching Hardware Pair #
X-Large Aluminum (1350)	14-15" W	1025234-NLA	1035905	1035908-NLA	1035909-NLA	1035906	1055241
X-Large Aluminum (1350)	16-22" W	1017621	1035917-NLA	1035919	1035920	1035918	1055241

Footrest and Legrest Accessories

Attaching Hardware Part Numbers (Not Including AT5043 and AT5543)

Footplate Type	Part Number	Part Number Consists of
Composite (1651)	1035931	(2) Screw, Phillips, Pan Head (1/4-20 x 2-1/4") (2) Spacer (1/4 x 11/32 x 1-3/4") (2) Hex Nut w/ Nylon Cap (1/4-20) (2) Flat Washer (1/4 x 5/8 x 1/16")
Standard Aluminum (1650)	1035907	(2) Screw, Phillips, Pan Head (1/4-20 x 2-1/2") (2) Spacer (1/4 x 11/32 x 1-3/4") (2) Locknut (1/4-20)
Deluxe Aluminum (1450)	1086112-NLA	(2) Screw, Phillips, Pan Head (1/4-20 x 2-1/2") (2) Spacer (1/4 x 11/32 x 1-3/4") (2) Locknut (1/4-20)
X-Large Aluminum (1350)	1055241	(2) Screw, Phillips, Pan Head (1/4-20 x 2-1/4") (2) Spacer (1/4 x 11/32 x 1-3/4") (2) Locknut (1/4-20)

AT5043 and AT5543 Heel Loops, Heel Loops w/ Ankle Straps and Hardware

Footplate Type	Part Number	Part Number Consists of
AT5043 Flip-Up and AT5543 Adj. Angle	1160723 Kit, Heel Loop w/ Hardware, Adjustable Angle Footplate (Pair)	(2) Heel Loops (4) Screw, Phillips Pan Head (1/4-20 x 2-1/4") (4) Spacer (1/4 x 5/16 x 1-3/32") (4) Locknut (1/4-20)
AT5043 Flip-Up and AT5543 Adj. Angle	1160724 Kit, Heel Loop w/ Ankle Strap and Hardware, Adjustable Angle Footplate (Pair)	(2) Heel Loops w/ Ankle Straps (4) Screw, Phillips Pan Head (1/4-20 x 2-1/4") (4) Spacer (1/4 x 5/16 x 1-3/32") (4) Locknut (1/4-20)

Footrest and Legrest Accessories

AT5043 and AT5543 Heel Loops, Heel Loops w/ Ankle Straps and Hardware

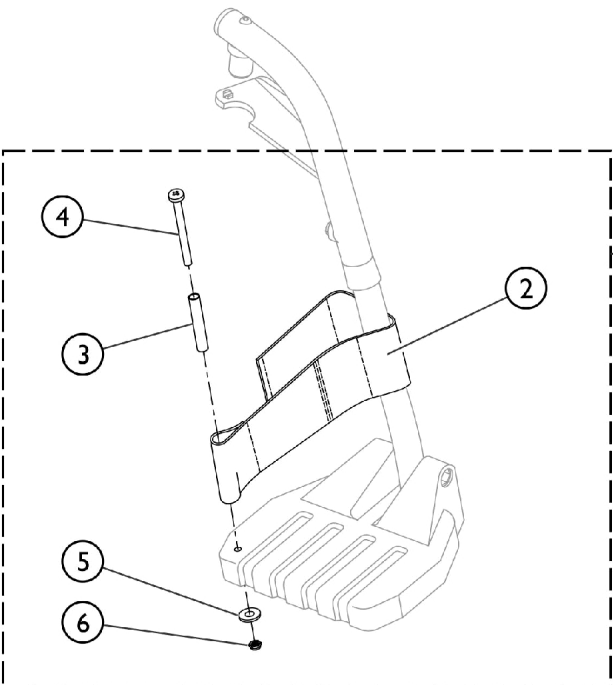
Footplate Type	Part Number	Part Number Consists of
Attaching Hardware Only	1035931 Kit, Heel Loop Attaching Hardware (Pair)	(2) Screw, Phillips, Pan Head (1/4-20 x 2-1/4") (2) Spacer (1/4 x 11/32 x 1-3/4") (2) Hex Nut w/ Nylon Cap (1/4-20) (2) Flat Washer (1/4 x 5/8 x 1/16")

Footrest and Legrest Accessories

Toe Loops (1345) and Attaching Hardware

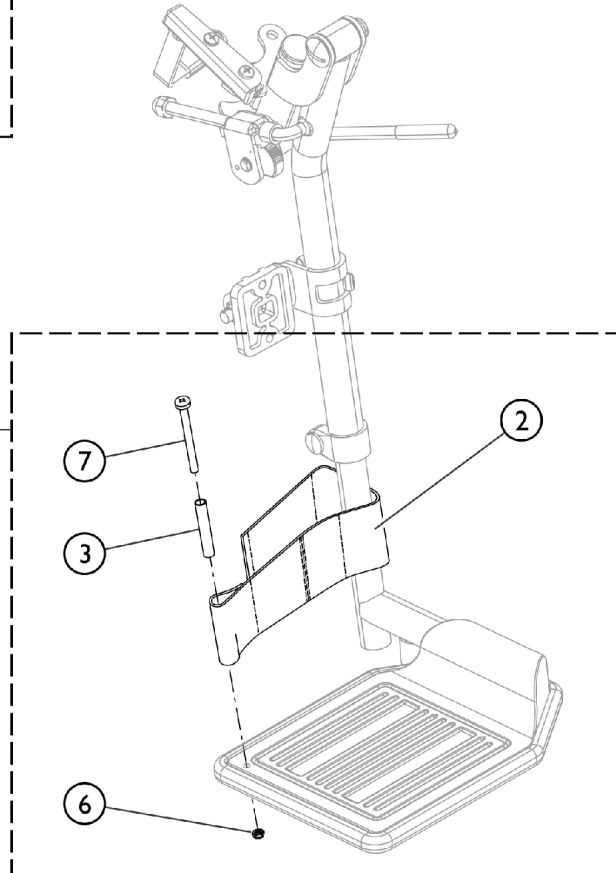
Footplate Type	Toe Loop w/o Hardware Single #	Toe Loop w/o Hardware Pair #	Attaching Hardware Part Number	Attaching Hardware Consists of
1651, 1650, 1450, 1350, Footplates	04572X025	1037087	1037089	(4) Screw, Phillips Pan Head (10-32 x 7/8") (4) Washer (1/4 x 3/4 x 3/32") (4) Locknut (10-32)
AT5043 and AT5543 Footplates	04572X025	1037087	1104749	(4) Screw, Phillips Pan Head (10-32 x 1/2") (4) Washer (1/4 x 3/4 x 3/32")

Front Riggings - Adjustable Heel Loops



1 Heel Loop and Hardware for All Footplate Options (Except Deluxe 1450)

11 Heel Loop and Hardware for Deluxe (1450) Footplates

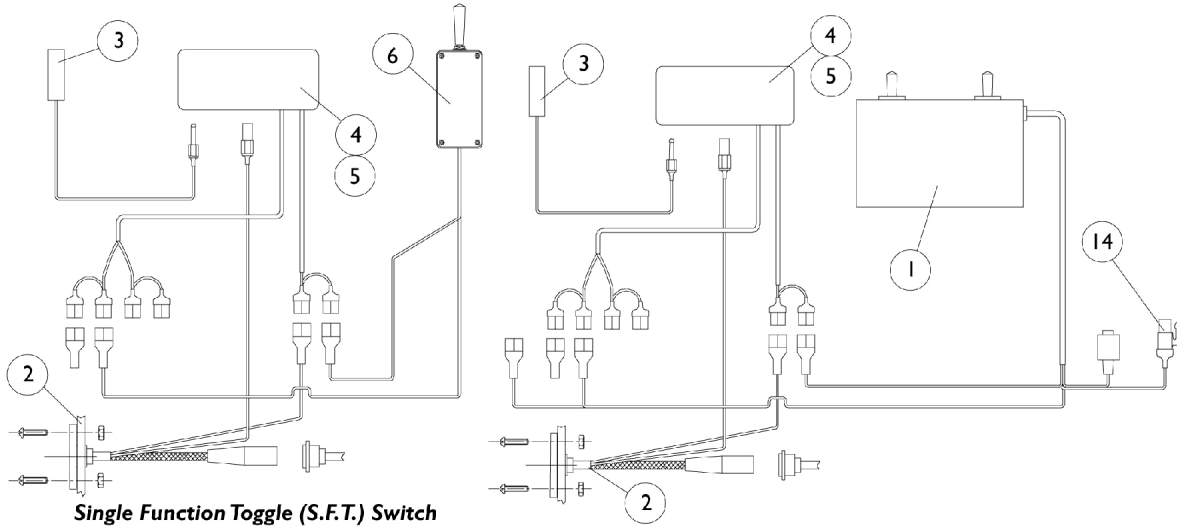


SCM_058A

Front Riggings - Adjustable Heel Loops

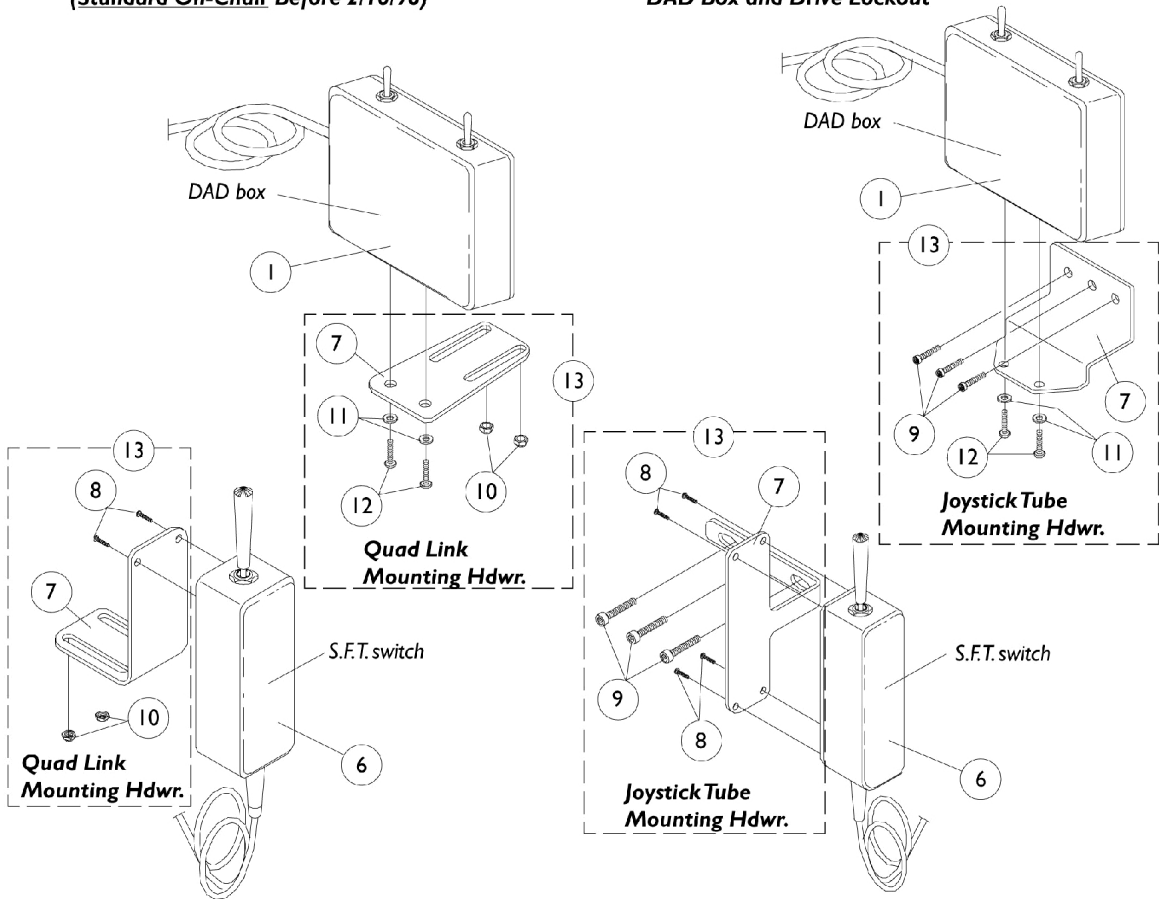
Item Number	Note	Part Number	Description	Quantity Per	
				Package	Assembly
1	A	1191117	Kit, Heel Loop, Adjustable w/ Hardware (Pair)	1	1
2			Heel Loop	1	2
3			NLA - Spacer (1/4 x 11/32 x 1-3/4")	1	2
4			NLA - Screw, Phillips Pan Head (1/4-20 x 2-1/4")	1	2
5			Washer, Flat (1/4 x 5/8 x 1/16")	1	2
6			Nut, Hex, Nylon Cap (1/4-20)	1	2
			Instruction Sheet, Adjustable Heel Loop	1	1
11	B	1191116	Kit, Heel Loop, Adjustable w/ Hardware, Deluxe 1450 (Pair)	1	1
2			Heel Loop	1	2
3			NLA - Spacer (1/4 x 11/32 x 1-3/4")	1	2
6			Nut, Hex, Nylon Cap (1/4-20)	1	2
7			NLA - Screw, Phillips Pan Head (1/4-20 x 2-1/2")	1	2
			Instruction Sheet, Adjustable Heel Loop	1	1
NOTE: A - Kit includes items 2 - 6. Used with All Footplates except Deluxe (1450).					
B - Kit includes items 2, 3, 6, and item 7. Used with Deluxe (1450) Footplates only.					

Electronics



Single Function Toggle (S.F.T.) Switch and Drive Lockout.
 (Standard On-Chair Before 2/16/98)

DAD Box and Drive Lockout

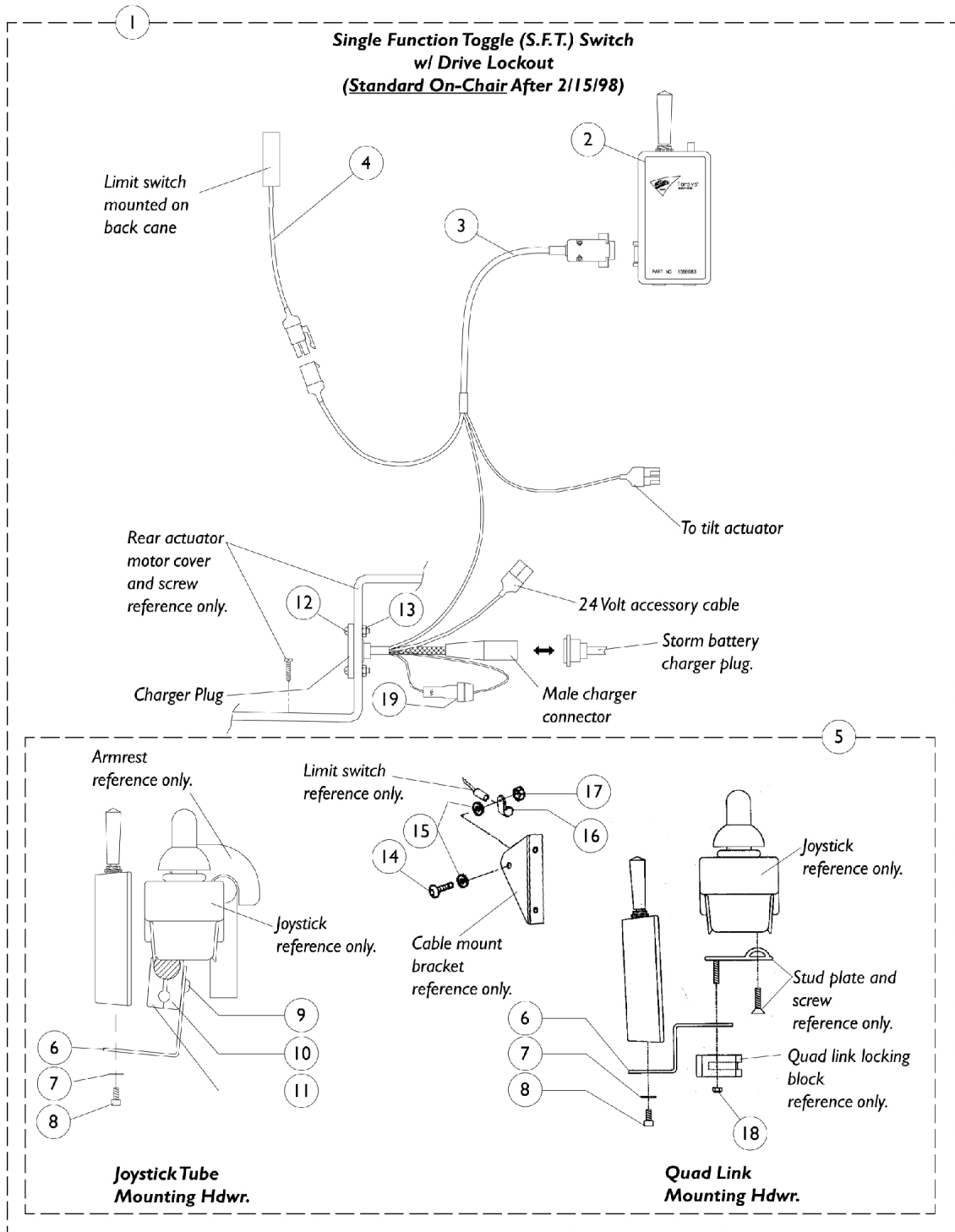


Electronics

Item Number	Note	Part Number	Description	Quantity Per	
				Package	Assembly
1		0012700-NLA	NLA - D.A.D. Box with Tilt Harness	1	1
2		0227700-NLA	NLA - Harness, Power, Storm	1	1
3		0018500-NLA	NLA - Switch, Limit	1	1
4	J	See Note	See Footnote	1	1
5		1077304	Dual Lock, Male/ Female Adhesive Back (1" x 3")	1	1
6	A	0037400-NLA	NLA - Switch, S.F.T.	1	1
7	I	0224202-NLA	NLA - Plate, S.F.T. Switch, Joystick Tube Mounting	1	1
7	H	0224702	Plate, S.F.T. Switch, Quad Link Mounting	1	1
7	I	0225402-NLA	NLA - Plate, D.A.D. Box, Joystick Tube Mounting	1	1
7	H	0225602	Plate, D.A.D. Box, Quad Link Mounting	1	1
8		313329-NLA	NLA - Screw, Phillips Pan Head (#6-32 x 1/2")	1	4
9		7930304-NLA	NLA - Screw, Socket Head (1/4-20 x 1-1/4")	25	2
10		317601-NLA	NLA - Locknut, Low Profile (#10-32)	1	3
11		0224806-NLA	NLA - Washer (#10)	1	2
12		0067106-NLA	NLA - Screw, Phillips Pan Head (#10-32 x 1/2")	1	2
13	I	1077270-NLA	NLA - Mounting Plate Assembly, S.F.T. Switch, Joystick Tube	1	2
13	H	1077271-NLA	NLA - Mounting Plate Assembly, S.F.T. Switch, Quad Link	1	1
13	I	1077268	Mounting Plate Assembly, D.A.D. Box, Joystick Tube	1	1
13	H	1077269	Mounting Plate Assembly, D.A.D. Box, Quad Link	1	1
14		0238800-NLA	NLA - Switch, Limit Override (DAD Box)	1	1
	C	0014800	Cable, Interface, Invacare R.I.M. Control	1	1
	C	0200300-NLA	NLA - Cable, Interface, Power Legs Combined	1	1
	C,D,F	1082365-NLA	NLA - Controller, Up-Gr W.S.T.- D.A.D.Relay	1	1
	C,E,G	1084174	Controller, Up-Gr W.S.T.-D.A.D. Relay	1	1
	B,C	1084706	Package, Decals, D.A.D. Relay Controller Upgrade	5	1

NOTE: A - Old style S.F.T switch doesn't have the drive lockout feature built in.
 B - Decal Package is supplied in all upgrade kits and covers all systems. Decals not sold separately. Decals are labeled "Tilt," "Recline," "Drive Lockout," "PLeg" and "Caution While Propelling."
 C - Not shown.
 D - Includes Items 1, 7, 9 -12 and 14
 E - Includes Items 1-5, 7, 9-12 and 14
 F - Before 2/16/98
 G - After 2/15/98
 H - Use with Quad Link before 4/07/06
 I - Use with Joystick Tube and Quad Link (QLA) after 4/06/06
 J - Part is no longer serviceable in the field.

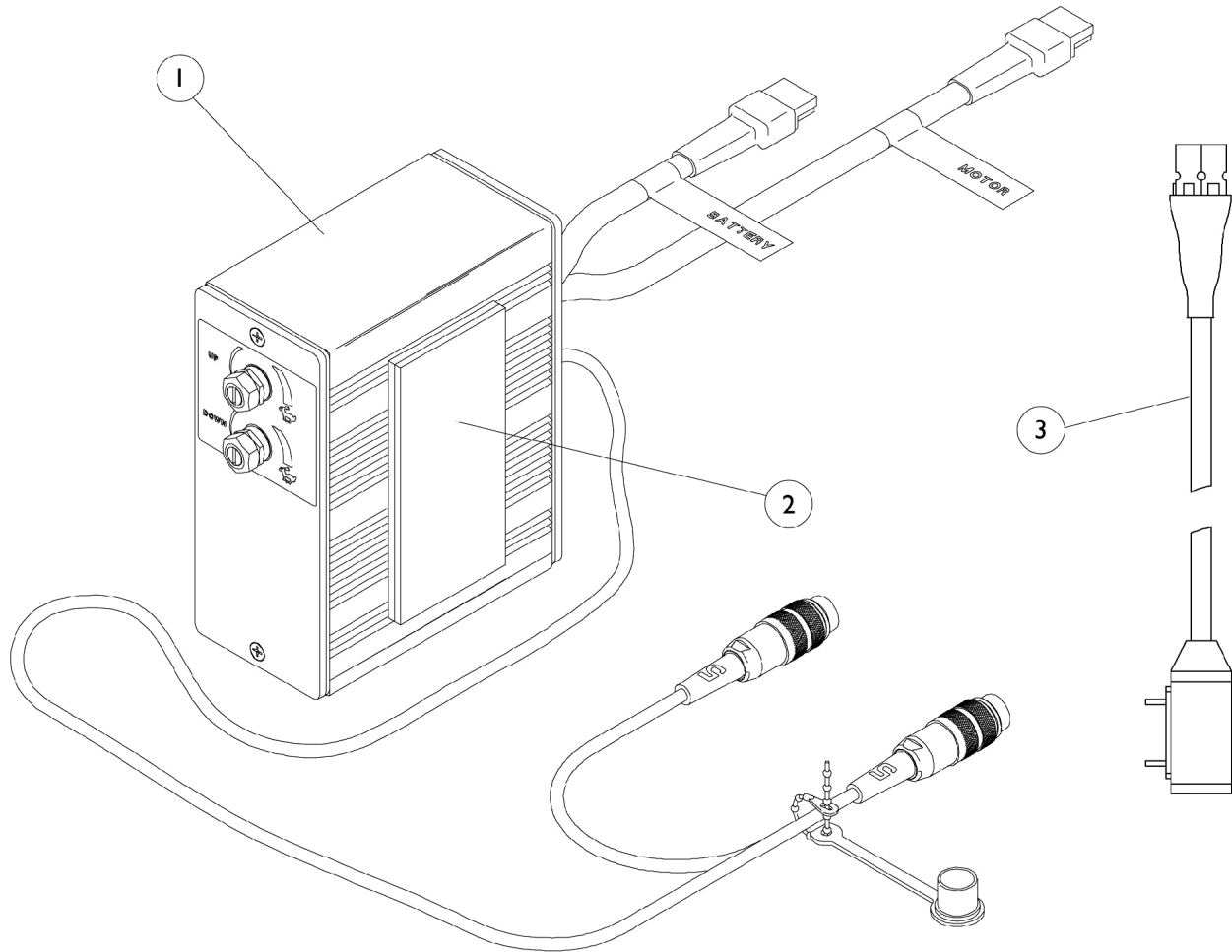
Electronics



Electronics

Item Number	Note	Part Number	Description	Quantity Per	
				Package	Assembly
1	A,C	1068175-NLA	NLA - Switch, S.F.T. w/ Drive Lockout Retrofit Kit	1	1
2	A,C	1068083-NLA	NLA - Switch, S.F.T. w/ Drive Lockout Assembly	1	1
3		1068084-NLA	NLA - Harness, Wiring, S.F.T. Switch w/ Drive Lockout	1	1
4		0018600-NLA	NLA - Switch, Limit - Molex Style	1	1
5		1068177-NLA	NLA - Kit, Hardware, Attaching, S.F.T. Switch w/ Drive Lockout Retrofit	1	1
	B	1068176-NLA	NLA - Instruction Sheet	1	1
6	E	1068171-NLA	NLA - Bracket, Joystick Mounting, Black	1	1
6	D	1068087-NLA	NLA - Bracket, Quad Link Mounting, Black	1	1
7		0224806-NLA	NLA - Washer (#10)	1	2
8		0067006-NLA	NLA - Screw, Cap, Socket Head (#10-32 x 1/2")	1	2
9		0051206-NLA	NLA - Screw, Machine, Hex Socket, Button Head (1/4-20 x 1-1/4)	1	2
10		1049586	Half Clamp, Non-Threaded Holes	1	1
11		1049584-NLA	NLA - Half Clamp, Threaded Holes	1	1
12		313329-NLA	NLA - Screw, Phillips Pan Head (#6-32 x 1/2")	1	2
13		0143205-NLA	NLA - Locknut, Low Profile (#6-32)	1	2
14		0139306-NLA	NLA - Screw, Socket Button Head (#10-32 x 3/4")	1	1
15		1077143	Lockwasher, External Tooth (#10)	1	2
16		0062800-NLA	NLA - Bracket, Cable/Wire Mounting, Black	1	1
17		7930332-NLA	NLA - Locknut, High Profile (#10-32)	25	1
18		317601-NLA	NLA - Locknut, Low Profile (#10-32)	1	2
19		98000X055	Fuse, Automotive (15 AMP)	1	1
	B	0154500-NLA	NLA - Cable Tie, Black (4")	1	6
	B	0152400-NLA	NLA - Tie Wrap, Black (8" L)	1	6
	B	0224100-NLA	NLA - Decal, Charger Plug	1	1
NOTE: A - New style S.F.T. switch has the drive lockout feature built in. For S.F.T. switch before 2/16/98. B - Not Shown C - After 2/15/98 D - Use with Quad Link before 4/07/06 E - Use with Joystick Tube and Quad Link (QLA) after 4/06/06					

MK IV Recliner Controller and Recliner Cable

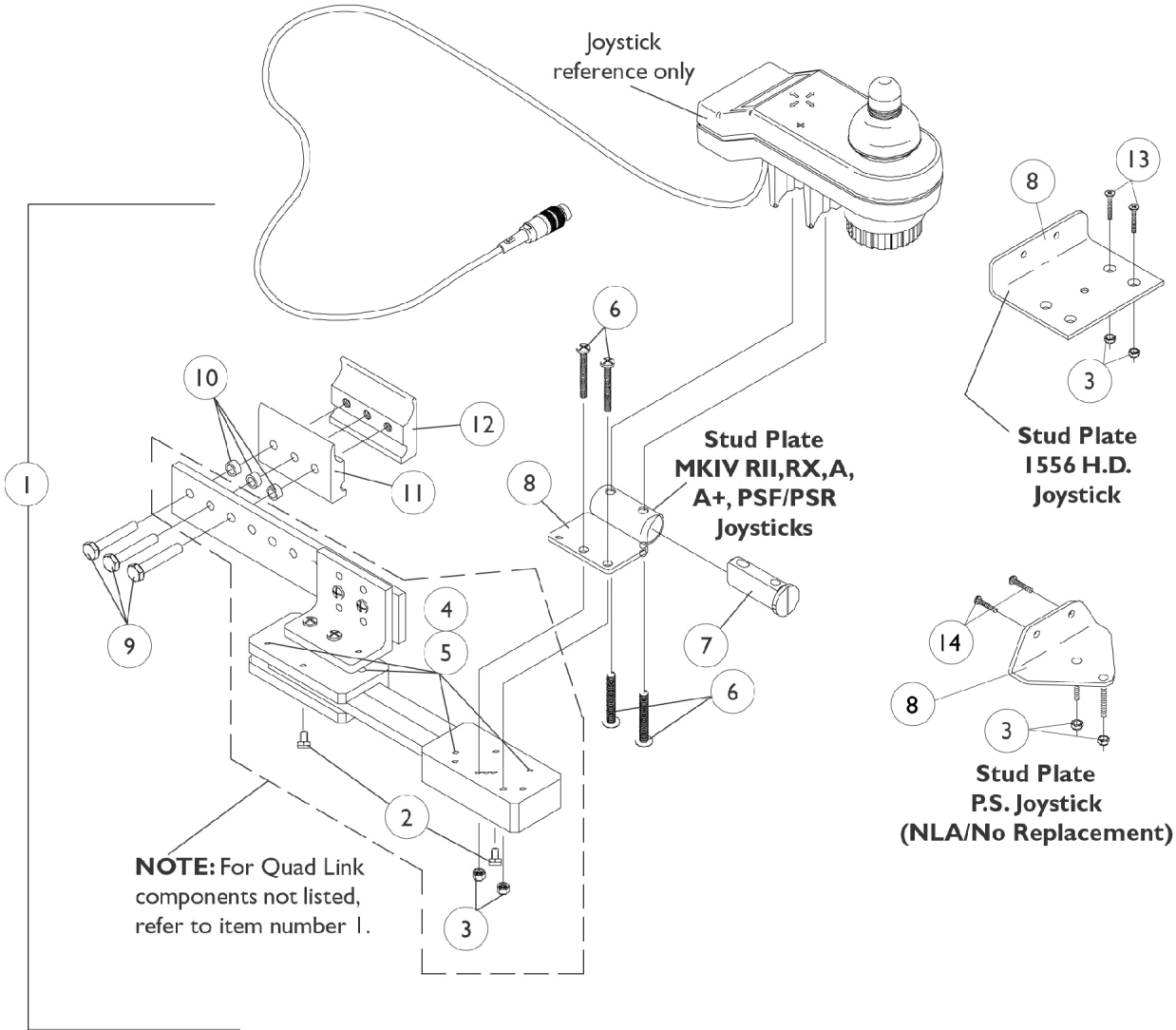


MK IV Recliner Controler and Recliner Cable

Item Number	Note	Part Number	Description	Quantity Per	
				Package	Assembly
1		1054376-NLA	NLA - Control, Recliner	1	1
2		1095501-NLA	NLA - Fastener, Dual Lock Hook and Loop Adhesive (2" W x 12" L)	1	1
3	B	1098905-NLA	NLA - Cable Assembly, 24 Volt, Anderson/P.T.O.	1	1
	A	1005151-NLA	NLA - Cable, Recliner	1	1
NOTE: A - Not Shown B - Anderson/P.T.O.					

Quad Link Assembly

Before 4/07/06



Quad Link Assembly Before 4/07/06

Item Number	Note	Part Number	Description	Quantity Per	
				Package	Assembly
1	A	1052402-NLA	NLA - Kit, Quad Link Assembly - Right	1	1
2			NLA - Ball Plunger Assembly with Lock Washer	2	1
3			Locknut (#10-32)	1	2
4			NLA - Screw, Cap, Socket Head (#10-32 x 1/2")	1	4
5			NLA - Bushing, Bronze (3/16 x 1/4 x 1/4")	1	4
6			Screw, Phillips Pan Head (#10-32 x 1-1/8")	1	4
7			Spacer, Joystick Tube, Black	1	1
8			NLA - Stud Plate, Quad Link	1	1
9			Screw, Hex Head (1/4-20 x 1-1/2")	1	3
10			NLA - Spacer (1/4 x 3/8 x 3/16")	1	3
11			Half Clamp, Non-Threaded Holes	1	1
12		NLA - Half Clamp, Threaded Holes	1	1	
1	A	1115372-NLA	NLA - Kit, Quad Link Assembly - Left	1	1
2			NLA - Ball Plunger Assembly with Lock Washer	2	1
3			Locknut (#10-32)	1	2
4			NLA - Screw, Cap, Socket Head (#10-32 x 1/2")	1	4
5			NLA - Bushing, Bronze (3/16 x 1/4 x 1/4")	1	4
6			Screw, Phillips Pan Head (#10-32 x 1-1/8")	1	4
7			Spacer, Joystick Tube, Black	1	1
8			NLA - Stud Plate, Quad Link	1	1
9			Screw, Hex Head (1/4-20 x 1-1/2")	1	3
10			NLA - Spacer (1/4 x 3/8 x 3/16")	1	3
11			Half Clamp, Non-Threaded Holes	1	1
12		NLA - Half Clamp, Threaded Holes	1	1	
1	B,D	1034703-NLA	NLA - Kit, Quad Link Assembly - Right	1	1
2			NLA - Ball Plunger Assembly with Lock Washer	2	1
3			Locknut (#10-32)	1	2
4			NLA - Screw, Cap, Socket Head (#10-32 x 1/2")	1	4
5			NLA - Bushing, Bronze (3/16 x 1/4 x 1/4")	1	4
8			Plate, Stud, Quad Link For 1556 Heavy Duty Joystick	1	1
9			Screw, Hex Head (1/4-20 x 1-1/2")	1	3
10			NLA - Spacer (1/4 x 3/8 x 3/16")	1	3
11			Half Clamp, Non-Threaded Holes	1	1
12			NLA - Half Clamp, Threaded Holes	1	1
13			Screw, Phillips Flat Head (#10-32 x 1-1/8")	1	2
1	B	1114866-NLA	NLA - Kit, Quad Link Assembly - Left	1	1
2			NLA - Ball Plunger Assembly with Lock Washer	2	1
3			Locknut (#10-32)	1	2
4			NLA - Screw, Cap, Socket Head (#10-32 x 1/2")	1	4
5			NLA - Bushing, Bronze (3/16 x 1/4 x 1/4")	1	4
8			Plate, Stud, Quad Link For 1556 Heavy Duty Joystick	1	1

Quad Link Assembly Before 4/07/06

Item Number	Note	Part Number	Description	Quantity Per	
				Package	Assembly
9			Screw, Hex Head (1/4-20 x 1-1/2")	1	3
10			NLA - Spacer (1/4 x 3/8 x 3/16")	1	3
11			Half Clamp, Non-Threaded Holes	1	1
12			NLA - Half Clamp, Threaded Holes	1	1
13			Screw, Phillips Flat Head (#10-32 x 1-1/8")	1	2
1	C	1106191-NLA	NLA - Kit, Quad Link Assembly - Right For PS joystick	1	1
2			NLA - Ball Plunger Assembly with Lock Washer	2	1
3			Locknut (#10-32)	1	2
4			NLA - Screw, Cap, Socket Head (#10-32 x 1/2")	1	4
5			NLA - Bushing, Bronze (3/16 x 1/4 x 1/4")	1	4
8			NLA - Plate, Stud, Quad Link P.S. Joystick	1	1
9			Screw, Hex Head (1/4-20 x 1-1/2")	1	3
10			NLA - Spacer (1/4 x 3/8 x 3/16")	1	3
11			Half Clamp, Non-Threaded Holes	1	1
12			NLA - Half Clamp, Threaded Holes	1	1
14			Screw, Phillips Pan Head (#10-32 x 11/16")	1	2
2		1114863-NLA	NLA - Ball Plunger Assembly with Lock Washer	2	1
NOTE: A - Includes the Quad Link, items 2-12 and used with MKIV RII, RX, A, A+, PSF/PSR joysticks B - Includes the Quad Link, items 2-5, 8-13 and used with a 1556 Heavy Duty joystick C - Includes the Quad Link, items 2-5, 8-12, 14 and used with a PS joystick D - Quad Link Assembly is no longer available. Please see Quad Link Assembly (After 4/06/06) category and use new Quad Link design as a replacement.					

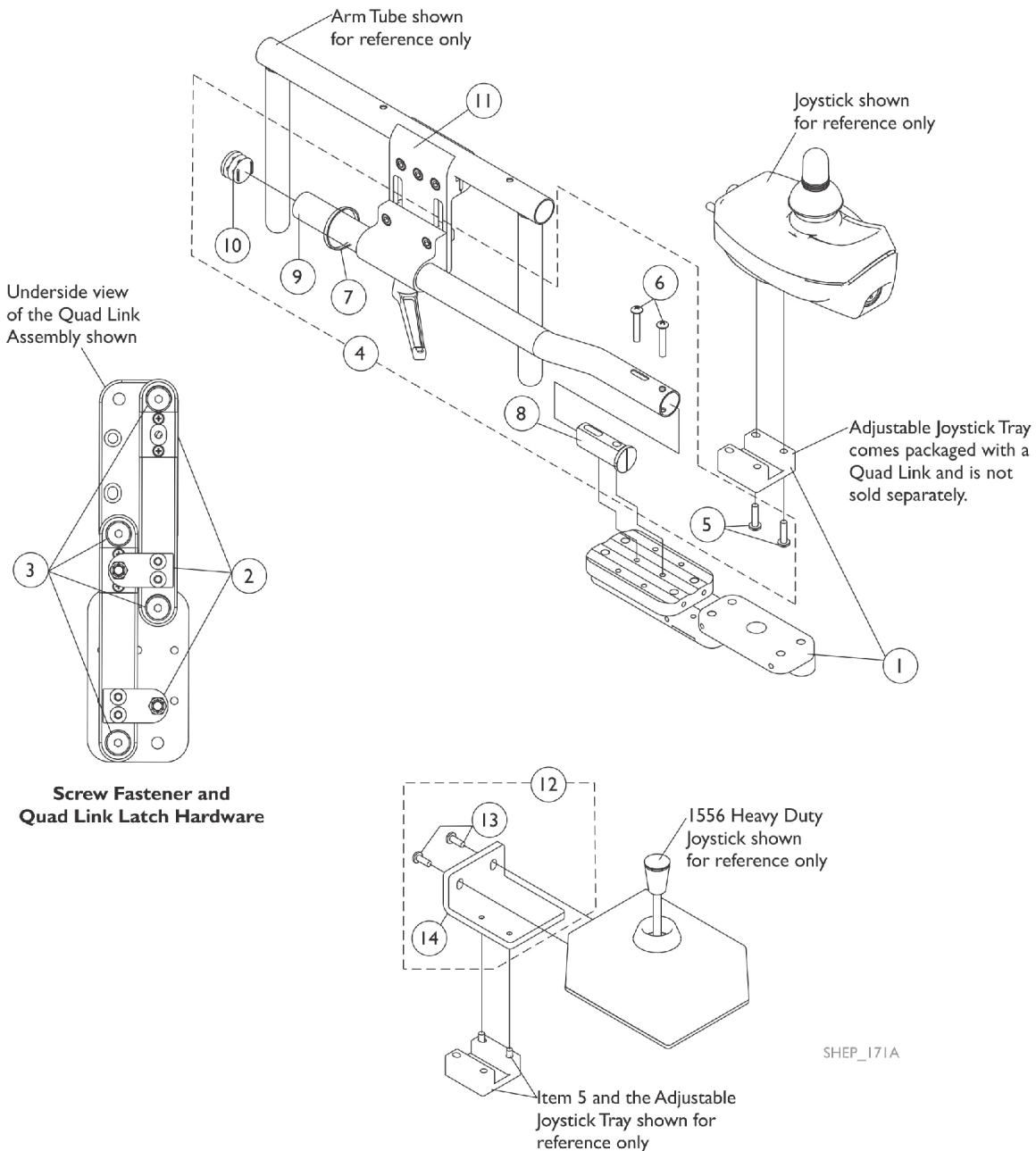
Quad Link (QLA)

After 4/06/06

When converting an old style Quad Link that attaches to a mounting plate or a Flex Tube is currently on the chair then order the following:

Quad Link Mtg. Hdwr. (item 4), Quad Link (item 1) & Ht. Adj. Joystick Tube Clamp (item 11)

NOTE: Substitute (item 4) with 2 ea. of the PPH Screws (item 5) when an offset joystick tube is currently on the chair. Additional Joystick Mtg. Hdwr. must be ordered when a 1556 Heavy Duty Joystick is used.



Quad Link (QLA)

After 4/06/06

When converting an old style Quad Link that attaches to a mounting plate or a Flex Tube is currently on the chair then order the following:

Quad Link Mtg. Hdwr. (item 4), Quad Link (item 1) & Ht. Adj. Joystick Tube Clamp (item 11)

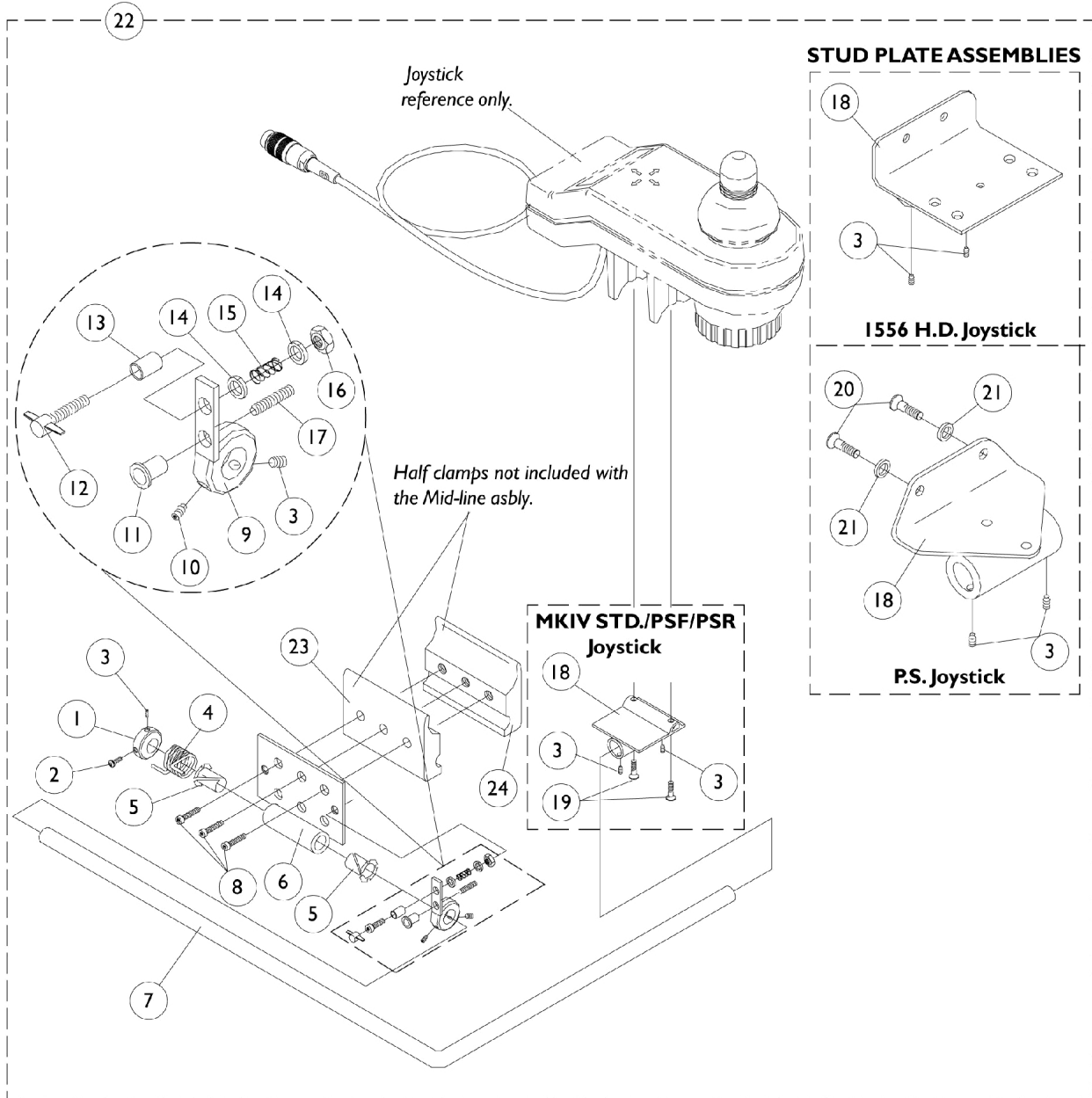
NOTE: Substitute (item 4) with 2 ea. of the PPH Screws (item 5) when an offset joystick tube is currently on the chair. Additional Joystick Mtg. Hdwr. must be ordered when a 1556 Heavy Duty Joystick is used.

Item Number	Note	Part Number	Description	Quantity Per	
				Package	Assembly
1	G	1140896	Quad Link w/ Adjustable Joystick Tray (QLA) and Instruction Sheet - Right	1	1
1	G	1140897	Quad Link w/ Adjustable Joystick Tray (QLA) and Instruction Sheet - Left	1	1
2	A	1140425	Kit, Quad Link Latch Hardware	1	1
3	B	1140424-NLA	NLA - Kit, Quad Link Screw Fastener Hardware	1	1
4	C,C1	1139416	Kit, ASBA/ADJASBA Quad Link Mounting Hardware	1	1
5			Screw, Phillips Pan Head w/ Patch (#10-32 x 3/4")	1	2
6			Screw, Phillips Pan Head (#10-32 x 1-1/8")	1	2
7			Tie Wrap (11-1/2" L)	1	1
8			Spacer, Joystick Tube, Black	1	1
9			Tube, Joystick Offset (1/2")	1	1
10			Plug Button, Black (7/8")	1	1
5		1105414	Screw, Phillips Pan Head w/ Patch (#10-32 x 3/4")	1	2
11	F	1139422	Clamp, Height Adjustable Joystick Tube (ARM250)	1	1
12	D	1139925-NLA	NLA - Kit, 1556 Heavy Duty Joystick To Quad Link Mounting Hardware	1	1
13			Screw, Phillips Pan Head (#10-32 x 1/2")	1	2
14			NLA - Plate, 1556 HD Joystick Quad Link	1	1
	E	1134844	Instruction Sheet, Quad Link	1	1

NOTE: A - Latch Kit includes 4 ea. Button Head Cap Screws (10-32 x 3/8"), 2 ea. Latch Spring Assembly, 4 ea. Phillips Flat C'Sunk Head Screws, 2 ea. Spring Catch Plates, 2 ea. Socket Head Set Screws (10-32 x 3/8")
 B - Screw Fastener Kit includes 4 ea. Socket Head Shoulder Screws (3/8 x 3/8"), 2 ea. Socket Head Cap Screws (1/4-20 x 3/8"), 2 ea. Socket Head Set Screws (1/4-20 x 1/2"), 4 ea. Socket Head Set Screws (10-32 x 1/8")
 C - Includes items 5-10. The Quad Link Mounting Hardware accommodates MKIV RII, RX, A, A+, PSF/PSR joysticks.
 C1 - When ordering the Quad Link for the first time, Additional hardware is required for 1556 Heavy Duty joystick. See pictorial for reference.
 D - Includes items 13 and 14
 E - Not Shown
 F - Individual components are non-saleable
 G - When a Single Function Toggle Switch (SFT) is used, the (SFT) switch mounting hardware for a Joystick Tube will need to be ordered

Mid-Line Swing Bracket Assembly

NOTE: Mid-line Swing Bracket is not available for the RII joystick part number 1092610.



Mid-Line Swing Bracket Assembly

NOTE: Mid-line Swing Bracket is not available for the RII joystick part number 1092610.

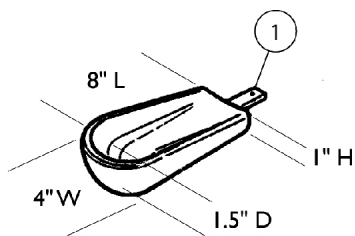
Item Number	Note	Part Number	Description	Quantity Per	
				Package	Assembly
1		0063100-NLA	NLA - Collar, 2 Holes	1	1
2		0223506-NLA	NLA - Screw, Socket, Cap, Button Head (1/4-20 x 1/2")	1	1
3		1077307-NLA	NLA - Screw, Set (1/4-20 x 1/4")	1	4
4		0063000-NLA	NLA - Spring, Assist	1	1
5		1077306-NLA	NLA - Bearing, Nylon (1/2")	1	2
6		0063402-NLA	NLA - Plate, Mounting	1	1
7		0191001-NLA	NLA - Bar, Mounting	1	1
8		7930304-NLA	NLA - Screw, Socket Head (1/4-20 x 1-1/4")	25	3
9		0063202-NLA	NLA - Weldment, Collar	1	1
10		1077308-NLA	NLA - Screw, Set (1/4-20 x 1/2")	1	1
11		0053200	Rivnut (1/4-20 x 11/16")	1	1
12		1077321-NLA	NLA - Knob, Tee (1/4-20 x 1-3/4")	1	1
13		0267606-NLA	NLA - Spacer (17/64 x 21/64 x 1/2")	1	1
14		0050100-NLA	NLA - Washer, Nylon Flat (1/4 x 1/2 x 1/16")	1	2
15		0064600-NLA	NLA - Spring, Compression	1	1
16		7930333	Locknut (1/4-20)	25	1
17		1077309-NLA	NLA - Screw, Set (1/4-20 x 1")	1	1
18		0312524-NLA	NLA - Plate, Mounting, MKIV Std/ PSF/ PSR Joystick	1	1
18		1077311-NLA	NLA - Plate, Mounting, 1556 H.D. / 1810M Short Std. Joystick	1	1
18		0314602-NLA	NLA - Plate, Mounting, P.S. Joysticks	1	1
19		1077249-NLA	NLA - Screw, Socket Head (#10-32 x 3/4")	1	2
20		1025716	Screw, Phillips Pan Head (#10-32 x 11/16")	1	2
21		0224806-NLA	NLA - Washer (#10)	1	2
22		1077313-NLA	NLA - Mid-Line Assembly, Less Half Clamps, MKIV Std./ PSF/ PSR Joystick	1	1
22		1077315-NLA	NLA - Mid-Line Assembly, Less Half Clamps, 1556 Heavy Duty/ 1810M Short Std. Joystick	1	1
22		1077317-NLA	NLA - Mid-Line Assembly, Less Half Clamps, P.S. Joystick	1	1
23		1027266	Half Clamp, Non-Threaded Holes	1	1
24		1027267-NLA	NLA - Half Clamp, Threaded Holes	1	1
	A	1092610-NLA	NLA - Joystick, RII	1	1

NOTE: A - Not Shown

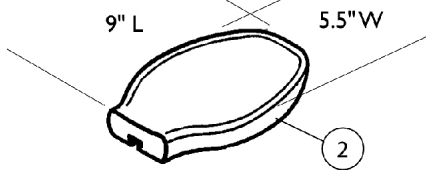
Arm Pads

Otto Bock

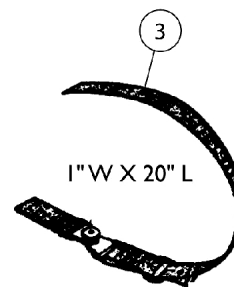
Channel Forearm Pads include all hardware and Instructions for attaching to a wheelchair or Elevating Swivel Unit. Hardware to attach a Hand Pad to the Channel Forearm Pad comes with the Channel Forearm Pad only. The Channel Forearm Pad hardware is not sold separately.



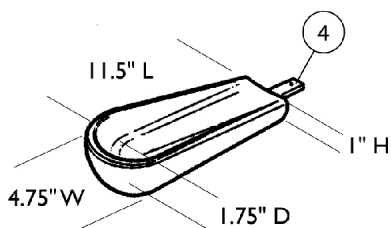
Small Channel Forearm Pad
0020700 ea.



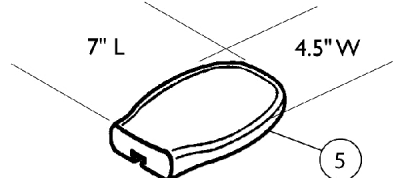
Flat Hand Pad (Large)
0023000 ea.



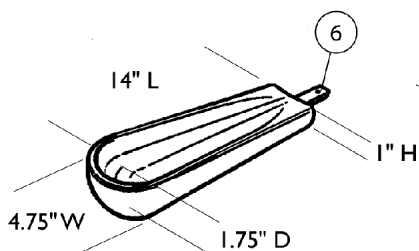
Hand/Forearm Pad Strap Kit
0021700 ea.



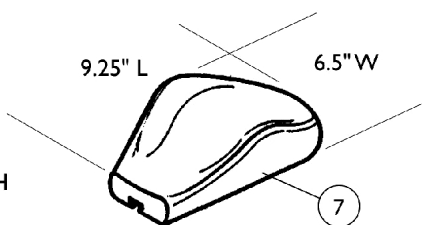
Medium Channel Forearm Pad
0020600 ea.



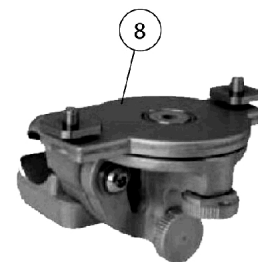
Flat Hand Pad (Medium)
0023300 ea.



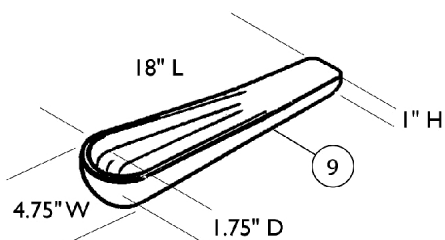
Large Channel Forearm Pad
0020500 ea.



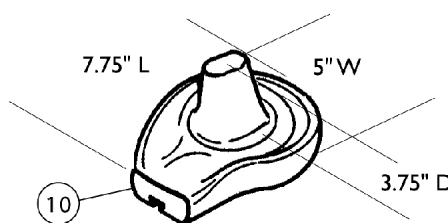
Palm Extensor Hand Pad
Right 0021600
Left 0021500



Elevating Swivel Unit 7/8"
Right or Left 1166835



One Piece Channel Forearm Pad
0020400 ea.



Cone Hand Pad
Right 0164900
Left 0164800

Arm Pads

Otto Bock

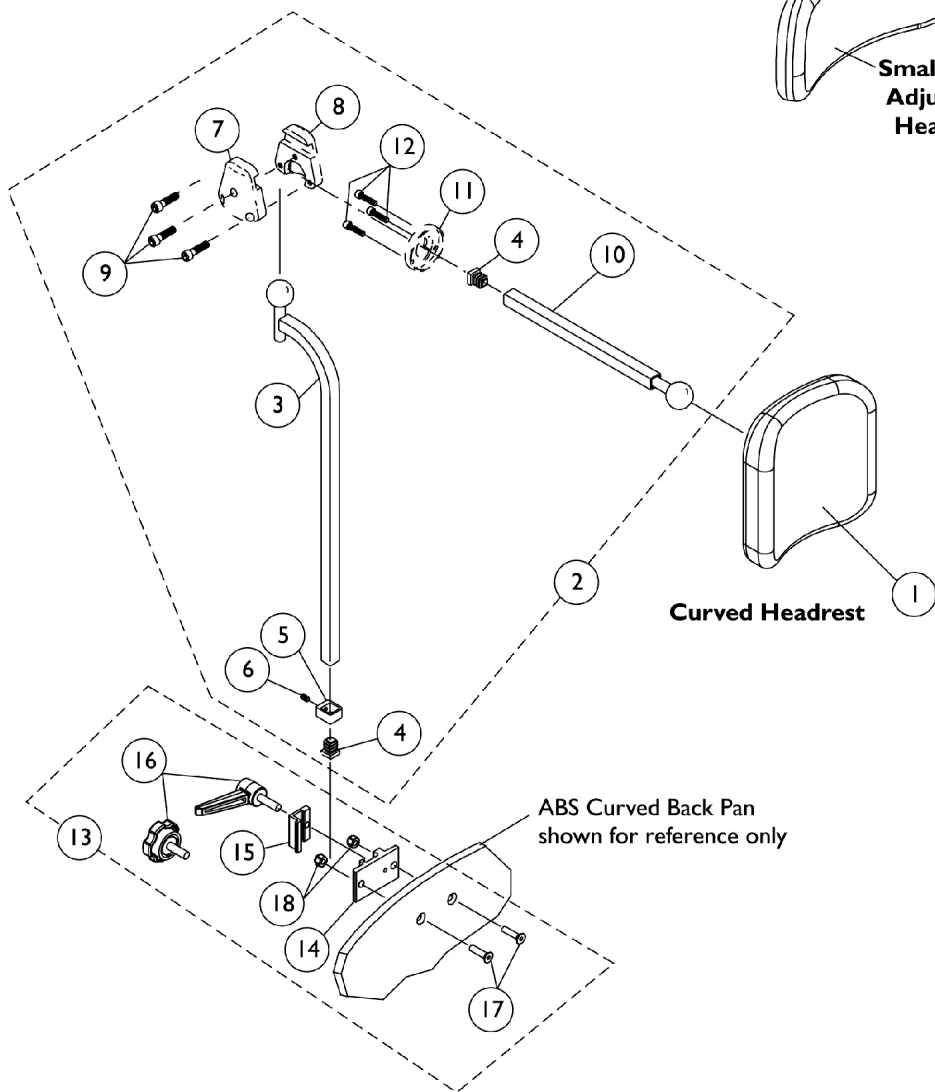
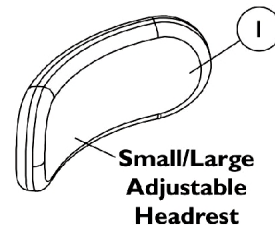
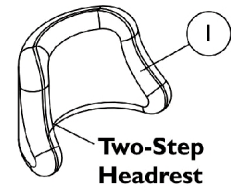
Channel Forearm Pads include all hardware and Instructions for attaching to a wheelchair or Elevating Swivel Unit. Hardware to attach a Hand Pad to the Channel Forearm Pad comes with the Channel Forearm Pad only. The Channel Forearm Pad hardware is not sold separately.

Item Number	Note	Part Number	Description	Quantity Per	
				Package	Assembly
1		0020700-NLA	NLA - Pad, Small Channel Forearm	1	1
2		0023000-NLA	NLA - Pad, Flat Hand - Large	1	1
3		0021700-NLA	NLA - Kit, Hand/ Forearm Pad Strap	1	1
4		0020600-NLA	NLA - Pad, Medium Channel Forearm	1	1
5		0023300-NLA	NLA - Pad, Flat Hand - Medium	1	1
6		0020500-NLA	NLA - Pad, Large Channel Forearm	1	1
7		0021600-NLA	NLA - Pad, Palm Extensor Hand - Right	1	1
7		0021500-NLA	NLA - Pad, Palm Extensor Hand - Left	1	1
8	A	1166835-NLA	NLA - Unit, Elevating Swivel - Right/Left (7/8")	1	1
9		0020400-NLA	NLA - Pad, One Piece Channel Forearm	1	1
10		0164900-NLA	NLA - Pad, Cone Hand - Right	1	1
10		0164800-NLA	NLA - Pad, Cone Hand - Left	1	1

NOTE: A - 0021400 Unit, Elevating Swivel - Right (7/8") and 0021300 Unit, Elevating Swivel - Left (7/8") are replaced with part number 1166835. The new Unit can be used on the right or left side of the wheelchair.

Headrest Support Assembly

A.B.S. Curved Back

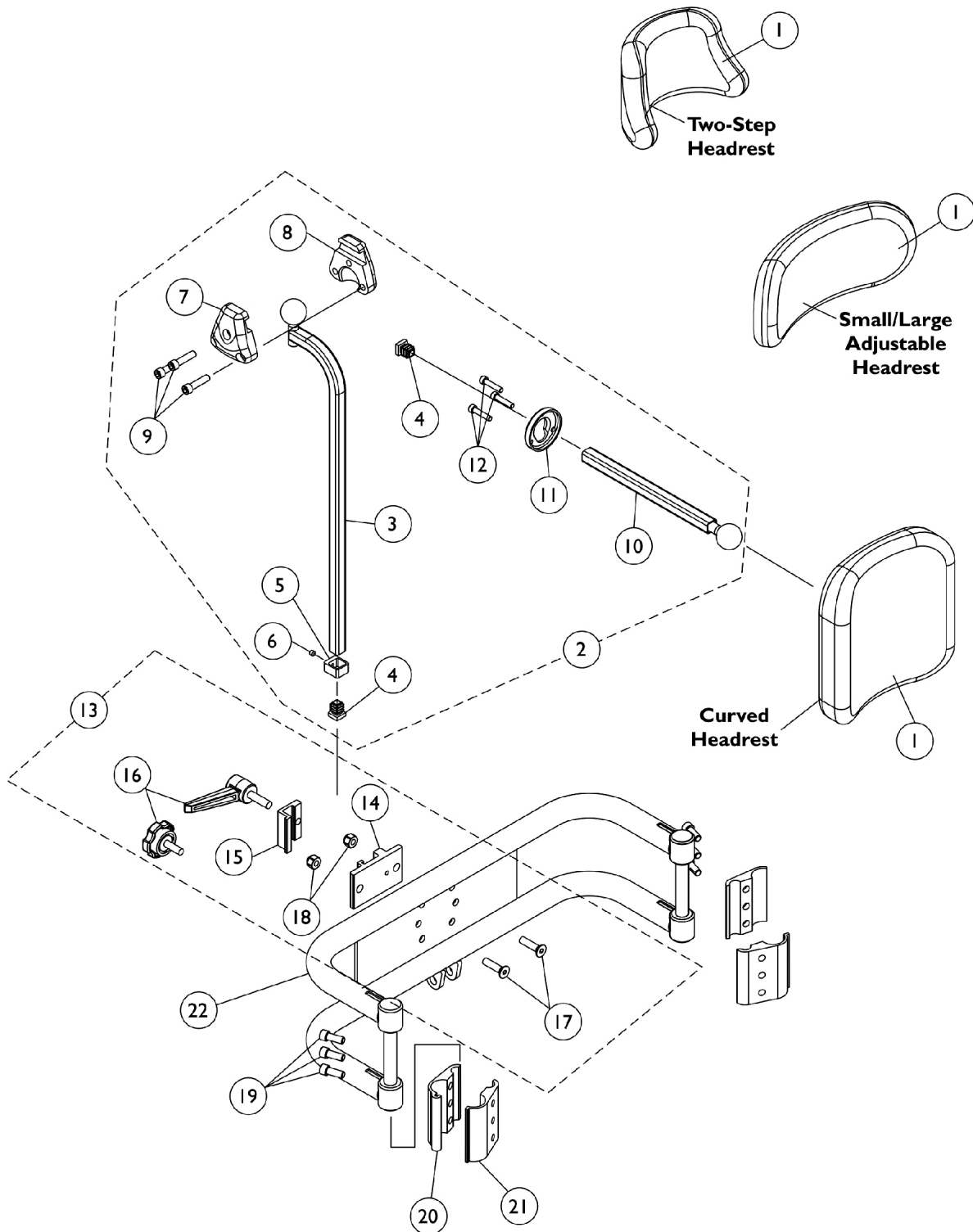


Headrest Support Assembly A.B.S. Curved Back

Item Number	Note	Part Number	Description	Quantity Per	
				Package	Assembly
1		0127700	Headrest, Curved (6" W x 7" H)	1	1
1		0128000-NLA	NLA - Headrest, Two-Step (8-1/2" W x 5-1/2" H)	1	1
1		0022600	Kit, Headrest w/ Screws, Adjustable, Small, Otto Bock (9" W x 3-1/2" H)	1	1
1		0022400	Kit, Headrest w/ Screws, Adjustable, Large, Otto Bock (12" W x 6" H)	1	1
2		0197024	Fixture Assembly, Offset Support	1	1
3		0271524-NLA	NLA - Tube, Offset Fixture, Black	1	1
4		1077076-NLA	NLA - Plug Button, Square (1/2")	1	2
5		0271124-NLA	NLA - Collar, Offset Fixture Tube	1	1
6		0288606-NLA	NLA - Screw, Set Socket Cup Point (#10-24 x 3/16")	1	1
7		0271224	Half Clamp, Non-Threaded Holes	1	1
8		0271324	Half Clamp, Threaded Holes	1	1
9		1027268	Screw, Allen Head (1/4-20 x 1")	1	3
10		0271424-NLA	NLA - Tube, Fixture Adjustment	1	1
11		0283724-NLA	NLA - Ring, Fixture Clamp	1	1
12		0067006-NLA	NLA - Screw, Cap, Socket Head (#10-32 x 1/2")	1	3
13	B,C	0273100	Kit, Headrest Clamp, Lever Style	1	1
14	A	0237422-NLA	NLA - Clamp, Small Bottom Half	1	1
15	A	0237522-NLA	NLA - Clamp, Small Top Half	1	1
16		1072439-NLA	NLA - Knob, Adjustment, Black (3/4" L Threads)	1	1
17		0288706-NLA	NLA - Screw, Socket, Flat Head (1/4-20 x 1")	1	2
18		7930333	Locknut (1/4-20)	25	2
<p>NOTE: A - Clamp is no longer available individually. See item 13 Clamp Assembly part number 0273100 B - Includes items 14-18. Item 16 Adjustment Knob was replaced with an Adjustment Lever. The Lever is not available as a separate part. The knob Part # 1072439 is still sold separately and is interchangeable with the Lever. C - Hardware can also be used with an Invacare Personal Back.</p>					

Headrest Support Assembly

Back Cane Only Option



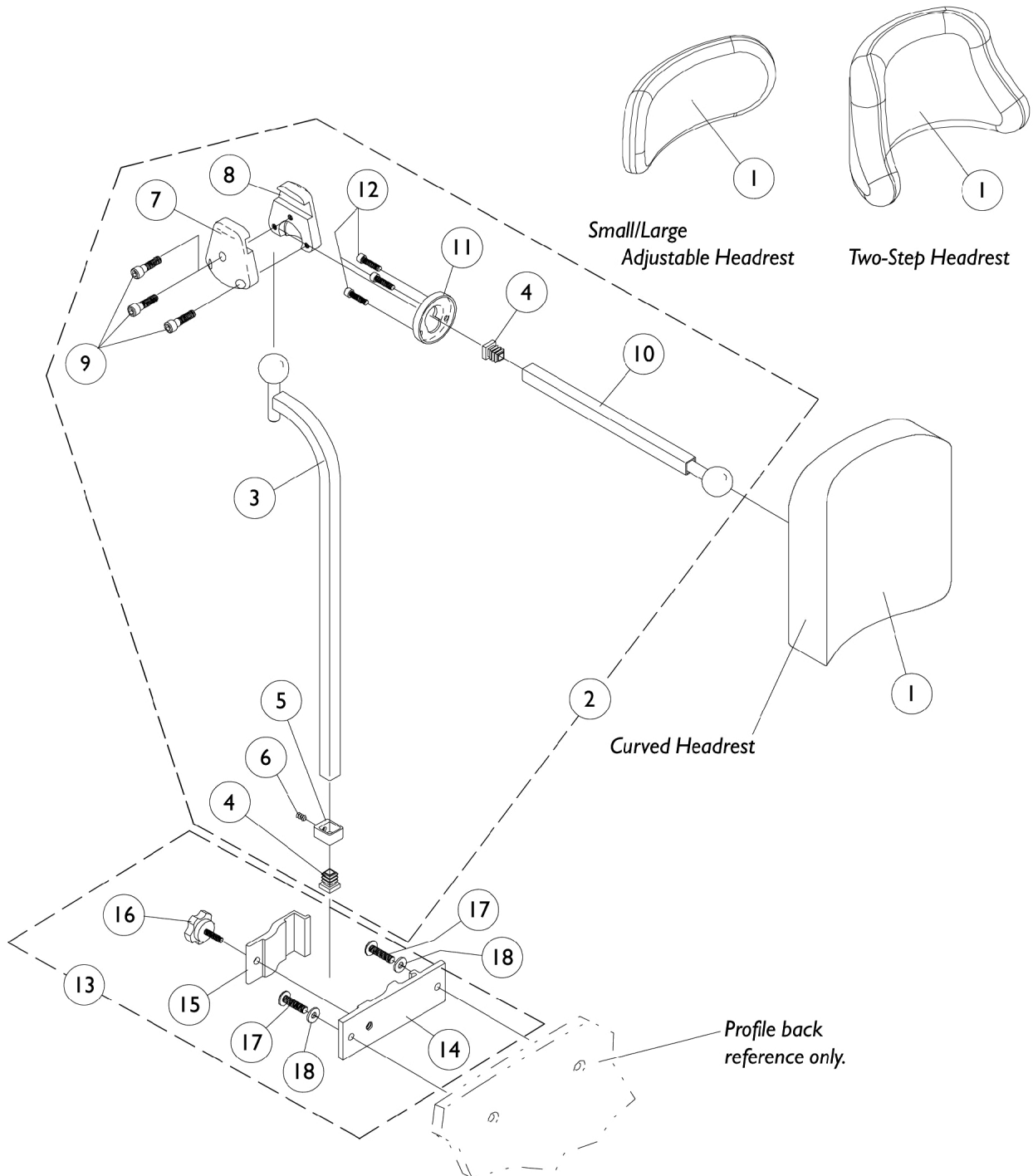
Headrest Support Assembly Back Cane Only Option

Item Number	Note	Part Number	Description	Quantity Per	
				Package	Assembly
1		0127700	Headrest, Curved (6" W x 7" H)	1	1
1		0128000-NLA	NLA - Headrest, Two-Step (8-1/2" W x 5-1/2" H)	1	1
1		0022600	Kit, Headrest w/ Screws, Adjustable, Small, Otto Bock (9" W x 3-1/2" H)	1	1
1		0022400	Kit, Headrest w/ Screws, Adjustable, Large, Otto Bock (12" W x 6" H)	1	1
2		0197024	Fixture Assembly, Offset Support	1	1
3		0271524-NLA	NLA - Tube, Offset Fixture, Black	1	1
4		1077076-NLA	NLA - Plug Button, Square (1/2")	1	2
5		0271124-NLA	NLA - Collar, Offset Fixture Tube	1	1
6		0288606-NLA	NLA - Screw, Set Socket Cup Point (#10-24 x 3/16")	1	1
7		0271224	Half Clamp, Non-Threaded Holes	1	1
8		0271324	Half Clamp, Threaded Holes	1	1
9		1027268	Screw, Allen Head (1/4-20 x 1")	1	3
10		0271424-NLA	NLA - Tube, Fixture Adjustment	1	1
11		0283724-NLA	NLA - Ring, Fixture Clamp	1	1
12		0067006-NLA	NLA - Screw, Cap, Socket Head (#10-32 x 1/2")	1	3
13	B,C	0273100	Kit, Headrest Clamp, Lever Style	1	1
14	A	0237422-NLA	NLA - Clamp, Small Bottom Half	1	1
15	A	0237522-NLA	NLA - Clamp, Small Top Half	1	1
16		1072439-NLA	NLA - Knob, Adjustment, Black (3/4" L Threads)	1	1
17		0052906-NLA	NLA - Screw, Socket Button Head (1/4-20 x 3/4")	1	2
18		7930333	Locknut (1/4-20)	25	2
19		0068706-NLA	NLA - Screw, Cap, Socket Head (1/4-20 x 5/8")	1	6
20		0190722	Half Clamp, Un-Threaded Holes (7/8" Dia. Back Canes)	1	2
21		0190822	Half Clamp, Threaded Holes (7/8" Dia. Back Canes)	1	2
22		0013402	Bar, Push, Black (14" W)	1	1
22		0013502	Bar, Push, Black (15" W)	1	1
22		0013602	Bar, Push, Black (16" W)	1	1
22		0013702	Bar, Push, Black (17" W)	1	1
22		0013802	Bar, Push, Black (18" W)	1	1
22		0013902	Bar, Push, Black (19" W)	1	1
22		0014002	Bar, Push, Black (20" W)	1	1
22		0014102	Bar, Push, Black (21" W)	1	1
22		0014202	Bar, Push, Black (22" W)	1	1

NOTE: A - Clamp is no longer available individually. See item 13 Clamp Assembly part number 0273100
 B - Includes items 14-18. Item 16 Adjustment Knob was replaced with an Adjustment Lever. The Lever is not available as a separate part. The knob Part # 1072439 is still sold separately and is interchangeable with the Lever.
 C - Hardware can also be used with an Invacare Personal Back.

Headrest Support Assembly

Profile Back



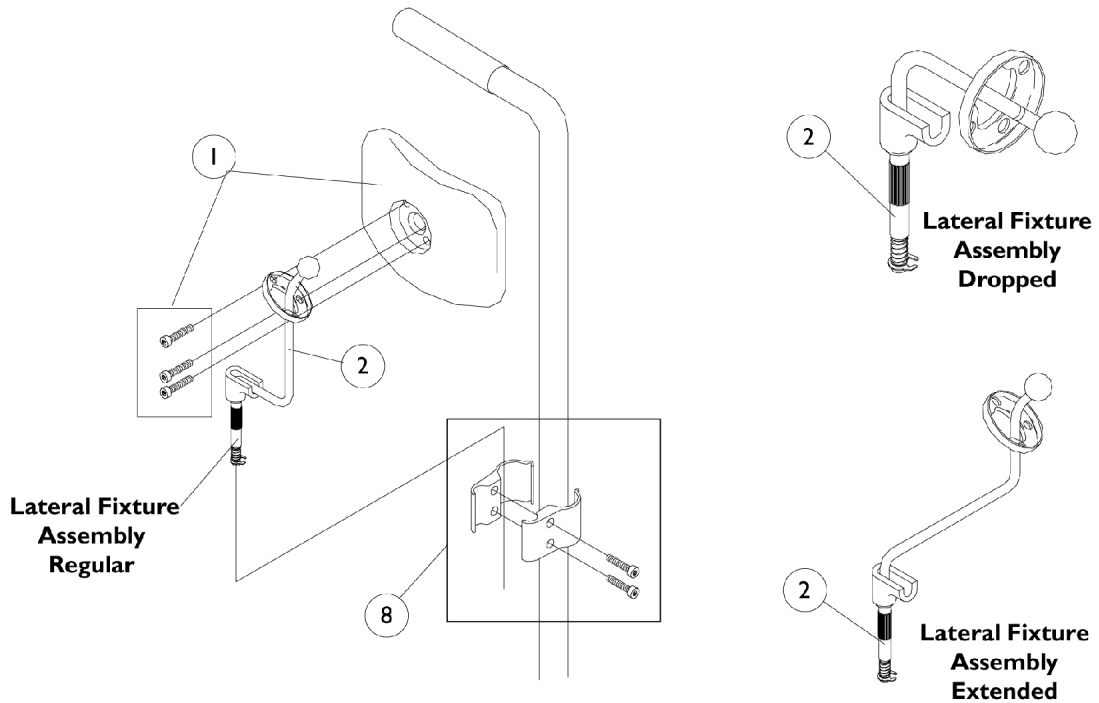
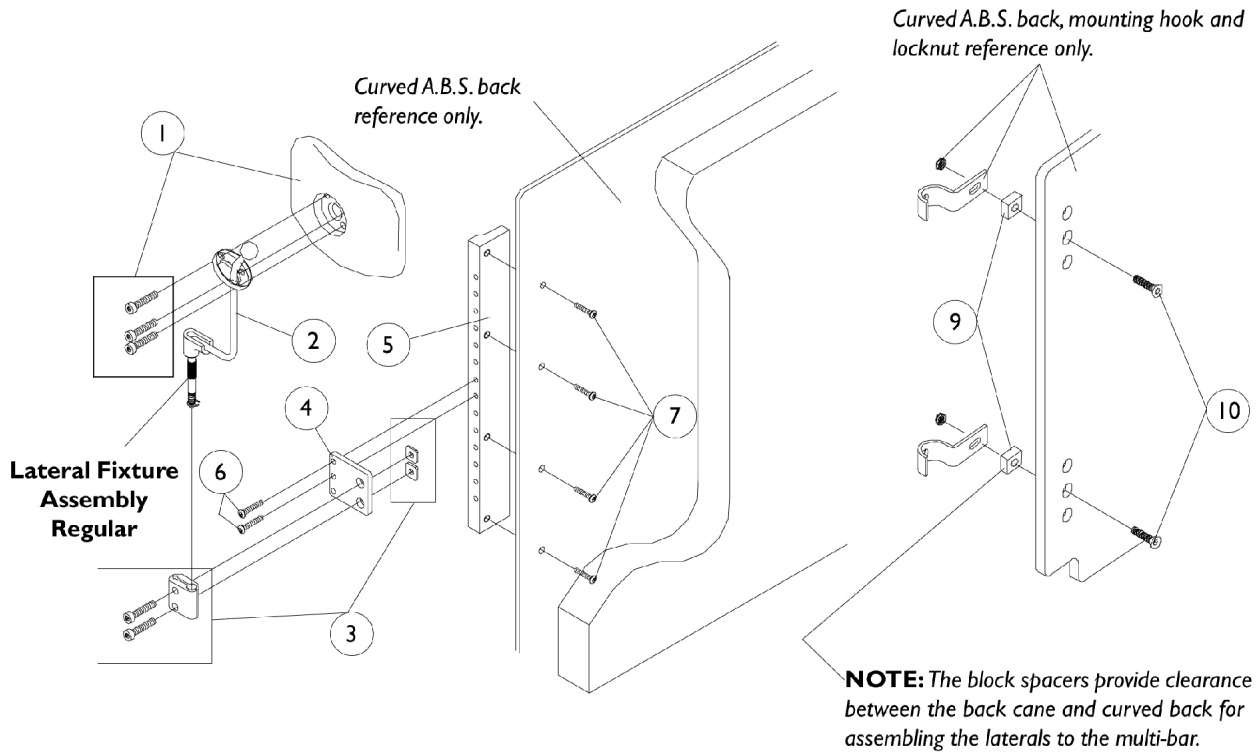
Headrest Support Assembly Profile Back

Item Number	Note	Part Number	Description	Quantity Per	
				Package	Assembly
1		0127700	Headrest, Curved (6" W x 7" H)	1	1
1		0128000-NLA	NLA - Headrest, Two-Step (8-1/2" W x 5-1/2" H)	1	1
1		0022600	Kit, Headrest w/ Screws, Adjustable, Small, Otto Bock (9" W x 3-1/2" H)	1	1
1		0022400	Kit, Headrest w/ Screws, Adjustable, Large, Otto Bock (12" W x 6" H)	1	1
2		0197024	Fixture Assembly, Offset Support	1	1
3		0271524-NLA	NLA - Tube, Offset Fixture, Black	1	1
4		1077076-NLA	NLA - Plug Button, Square (1/2")	1	2
5		0271124-NLA	NLA - Collar, Offset Fixture Tube	1	1
6		0288606-NLA	NLA - Screw, Set Socket Cup Point (#10-24 x 3/16")	1	1
7		0271224	Half Clamp, Non-Threaded Holes	1	1
8		0271324	Half Clamp, Threaded Holes	1	1
9		1027268	Screw, Allen Head (1/4-20 x 1")	1	3
10		0271424-NLA	NLA - Tube, Fixture Adjustment	1	1
11		0283724-NLA	NLA - Ring, Fixture Clamp	1	1
12		0067006-NLA	NLA - Screw, Cap, Socket Head (#10-32 x 1/2")	1	3
13	A	0273000-NLA	NLA - Headrest Clamp Assembly	1	1
14	A	0235222-NLA	NLA - Clamp, Large Bottom Half	1	1
15	A	0235322-NLA	NLA - Clamp, Large Top Half	1	1
16		1072440	Knob, Adjustment, Black (1/2" L Threads)	1	1
17		0258006-NLA	NLA - Screw, Socket Head, Cap, Button (1/4-20 x 5/8")	1	2
18		1007453	Lockwasher, Split (1/4")	1	2

NOTE: A - Recessed and Profile Backs

Lateral Support Assembly

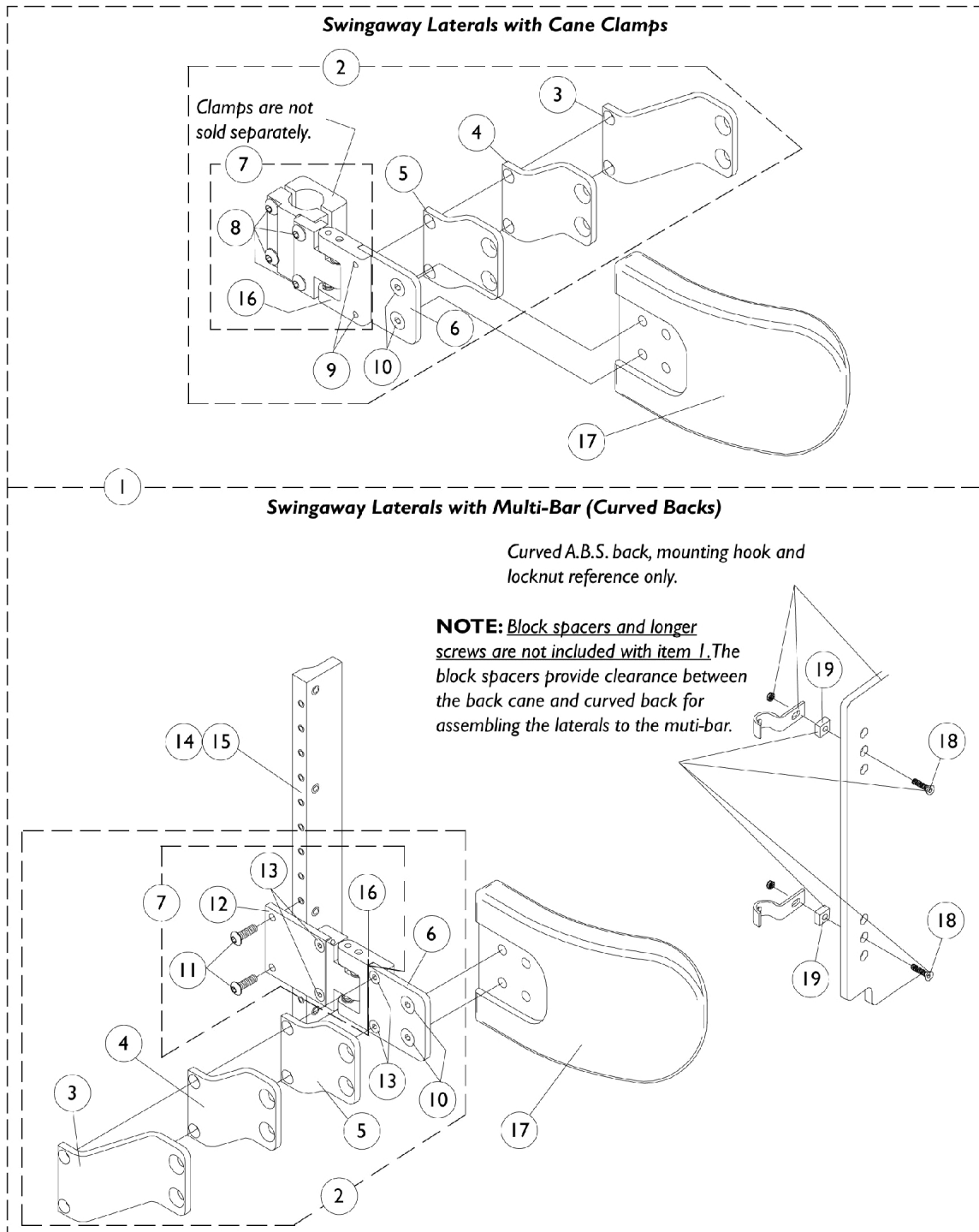
Otto Bock



Lateral Support Assembly Otto Bock

Item Number	Note	Part Number	Description	Quantity Per	
				Package	Assembly
1		0023700-NLA	NLA - Pad Assembly, O.B. Lateral - Small (4-1/2" W x 3" H)	1	1
1		0024800-NLA	NLA - Pad Assembly, O.B. Lateral - Medium (5-1/4" W x 3-1/2" H)	1	1
1		0024700-NLA	NLA - Pad Assembly, O.B. Lateral - Large (7" W x 4-1/2" H)	1	1
2		0024200-NLA	NLA - Fixture Assembly, O.B. Lateral, Regular, Right	1	1
2		0024100	Fixture Assembly, O.B. Lateral, Regular, Left	1	1
2		0024400-NLA	NLA - Fixture Assembly, O.B. Lateral, Extended, Right	1	1
2		0024300-NLA	NLA - Fixture Assembly, O.B. Lateral, Extended, Left	1	1
2		0024600-NLA	NLA - Fixture Assembly, O.B. Lateral, Dropped, Right	1	1
2		0024500-NLA	NLA - Fixture Assembly, O.B. Lateral, Dropped - Left	1	1
3		0024000-NLA	NLA - Clamp Assembly, Flat	1	1
4		0260702-NLA	NLA - Plate, Adapter (5/8" Spacing)	1	1
4		0063602-NLA	NLA - Adapter, Plate (3/4" Spacing)	1	1
5		0260522-NLA	NLA - Bar, Multi-Attachment, A.B.S. Curved Back, 5/8" Spacing	1	1
5		0063522-NLA	NLA - Bar, Multi-Attachment, A.B.S. Curved Back, 3/4" Spacing	1	1
6		0139306-NLA	NLA - Screw, Socket Button Head (#10-32 x 3/4")	1	2
7		0052906-NLA	NLA - Screw, Socket Button Head (1/4-20 x 3/4")	1	4
8		0023800-NLA	NLA - Clamp Assembly, 3/4" Diameter Cane	1	1
8		0023900-NLA	NLA - Clamp Assembly, 7/8" Diameter Cane	1	1
9		0159402	Spacer, Block (1 x 3/4 x 1/2")	1	4
10		0050806-NLA	NLA - Screw, Socket Flat Head (1/4-20 x 1-1/2)	1	4

Lateral Support Assembly Tarsys



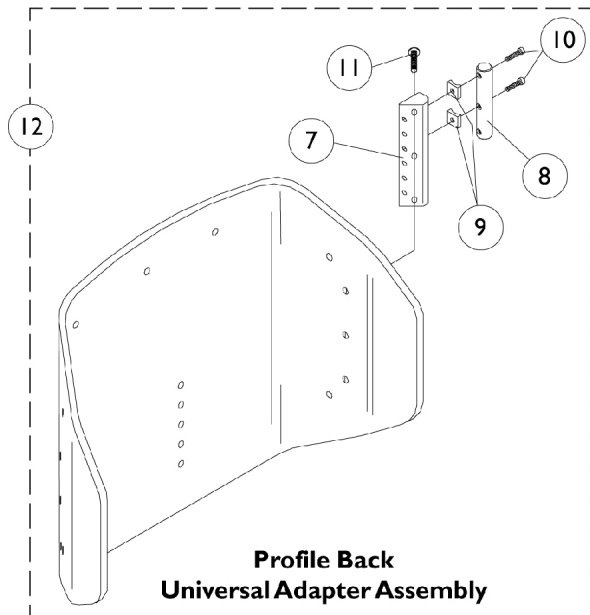
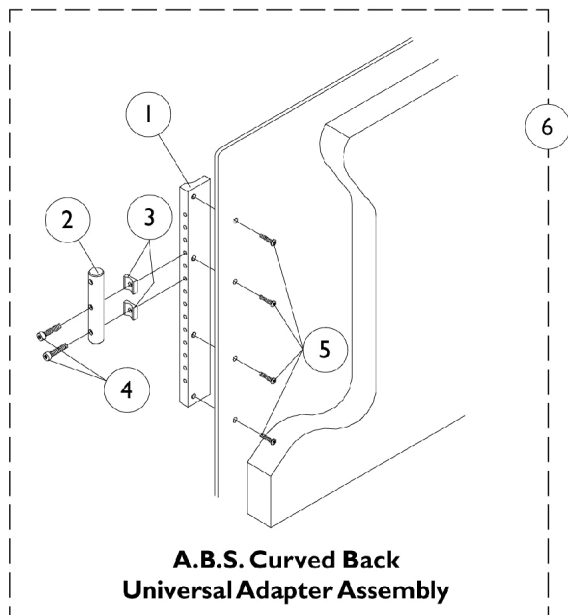
Lateral Support Assembly Tarsys

Item Number	Note	Part Number	Description	Quantity Per	
				Package	Assembly
1		1072661	Swingaway Lateral Support Assembly (Tarsys) (Pair) Cane Clamp Hardware with Medium Pads	2	1
1		1072662	Swingaway Lateral Support Assembly (Tarsys) (Pair) Cane Clamp Hardware with Large Pads	2	1
1	A	1072585-NLA	NLA - Swingaway Lateral Support Assembly (Tarsys) (Pair) Multi Bar Hardware with Medium Pads	2	1
1	A	1072586-NLA	NLA - Swingaway Lateral Support Assembly (Tarsys) (Pair) Multi Bar Hardware with Large Pads	2	1
2		1072660-NLA	NLA - Clamp, Cane - Right	1	1
2		1077191-NLA	NLA - Clamp, Cane - Left	1	1
2		1072588-NLA	NLA - Multi-Bar - Right	1	1
2		1072587-NLA	NLA - Multi-Bar - Left	1	1
3		1072592	Bracket, Extension Offset, Black (2")	1	1
4	B	See Note	See Footnote	1	1
5		1077186-NLA	NLA - Bracket, Extension Offset, Black (1/2")	1	1
6		1077185	Bracket, Flush Mount, Black	1	1
7		1077192	Clamp, Cane - Right	1	1
7		1077193	Clamp, Cane - Left	1	1
7		1077194-NLA	NLA - Multi-Bar - Right	1	1
7		1077195-NLA	NLA - Multi-Bar - Left	1	1
8		0051206-NLA	NLA - Screw, Machine, Hex Socket, Button Head (1/4-20 x 1-1/4)	1	4
9		1084411-NLA	NLA - Screw, Socket Flat Head (#10-32 x 1/2")	1	2
10		1102887	Screw, Socket Flat Head (1/4-20 x 1/2")	1	2
11		1072593-NLA	NLA - Screw, Allen Button Head (#10-32 x 5/8")	1	2
12		1077190-NLA	NLA - Bracket, Mounting, Black	1	1
13		1084411-NLA	NLA - Screw, Socket Flat Head (#10-32 x 1/2")	1	4
14		0063522-NLA	NLA - Bar, Multi-Attachment, A.B.S. Curved Back, 3/4" Spacing	1	1
15		0052906-NLA	NLA - Screw, Socket Button Head (1/4-20 x 3/4")	1	2
16		1096489-NLA	NLA - Bracket, Swingaway, Cane Clamp, Black - Right	1	1
16		1096490-NLA	NLA - Bracket, Swingaway, Cane Clamp, Black - Left	1	1
16		1077188	Bracket, Swingaway - Right	1	1
16		1077189-NLA	NLA - Bracket, Swingaway - Left	1	1
17		1072589	Pad, Lateral Support - Medium (6" W x 4" H)	1	1
17		1072590	Pad, Lateral Support - Large (6" W x 5" H)	1	1
18		0050806-NLA	NLA - Screw, Socket Flat Head (1/4-20 x 1-1/2)	1	4
19		0159402	Spacer, Block (1 x 3/4 x 1/2")	1	4

NOTE: A - Items 18 and 19 are not included with Swingaway lateral assemblies.
B - No longer offered as an individual service part.

Accessories

Universal Adapters For A.B.S. Curved and Profile Backs



Accessories

Universal Adapters For A.B.S. Curved and Profile Backs

Universal Adapter Assembly., A.B.S. Curved Back

Item Number	Note	Part Number	Description	Quantity Per	
				Package	Assembly
1	A	0260522-NLA	NLA - Bar, Multi-Attachment, A.B.S. Curved Back, 5/8" Spacing	1	1
1	B	0063522-NLA	NLA - Bar, Multi-Attachment, A.B.S. Curved Back, 3/4" Spacing	1	1
2		0178922	Bar, Universal Adapter Mounting	1	1
3		0049824-NLA	NLA - Spacer, Coved (1/4 x 3/4 x 7/16")	1	2
4		0258406-NLA	NLA - Screw, Socket Head, Cap (#10-32 x 1-1/4")	1	2
5		0052906-NLA	NLA - Screw, Socket Button Head (1/4-20 x 3/4")	1	4
6	C,E	0180400	Universal Adapter Assembly, ABS Curved Back, 5/8" Spacing	1	1
6	D,E	0138200-NLA	NLA - Universal Adapter Assembly, ABS Curved Back, 3/4" Spacing	1	1
	F	1072851	Bar, Multi-Attachment, A.B.S. Curved Back, 5/8" Spacing	1	1
	F	1072850	Bar, Multi-Attachment, A.B.S. Curved Back, 3/4" Spacing	1	1
	F	1084663	Universal Adapter Assembly, ABS Curved Back, 5/8" Spacing	1	1
	F	1084664	Universal Adapter Assembly, ABS Curved Back, 3/4" Spacing	1	1
NOTE: A - 5/8" Spacing (Use 1072851 For 14" Back Heights Only) B - 3/4" Spacing (Use 1072850 For 14" Back Heights Only) C - 5/8" Spacing (Use 1084663 For 14" Back Heights Only) D - 3/4" Spacing (Use 1084664 For 14" Back Heights Only) E - Includes Items 1-5 F - Not Shown					

Accessories

Universal Adapters For A.B.S. Curved and Profile Backs

Universal Adapter Assembly, Profile Back

Item Number	Note	Part Number	Description	Quantity Per	
				Package	Assembly
7	C	0260422	Bar, Multi-Attachment	1	1
7	D	0179022	Bar, Multi-Attachment	1	1
8		0178922	Bar, Universal Adapter Mounting	1	1
9		0049824-NLA	NLA - Spacer, Coved (1/4 x 3/4 x 7/16")	1	2
10		0258406-NLA	NLA - Screw, Socket Head, Cap (#10-32 x 1-1/4")	1	2
11		1077793-NLA	NLA - Screw, Socket Head (1/4-20 x 3/4")	1	3
12	B,C	0311300	Universal Adapter Assembly, Profile Back, 5/8" Spacing	1	1
12	B,D	0180300	Universal Adapter Assembly, Profile Back, 3/4" Spacing	1	1
	A	0202400-NLA	NLA - Back Pack, Basic Tilt and Tilt Only	1	1
	A	0020200-NLA	NLA - Kit, Legrest with Screws, Otto Bock (6" W x 9" H)	1	1
	A	0020300-NLA	NLA - Adapter Plate, Otto Bock Legrest Pad	1	1
NOTE: A - Not Shown B - Includes Items 7-11 C - 5/8" spacing D - 3/4" spacing					

Power Wheelchair Tool Kit

1



Multimeter with Leads



Grounding Wire



1" Test Leads



Protractor/Angle Locator



Invacare Pen Light



Invacare Tape Measure



Invacare Phillips/Flat Head Screwdriver



MKIV Programmer



Virtual Service Charger Cable

Power Wheelchair Tool Kit

Item Number	Note	Part Number	Description	Quantity Per	
				Package	Assembly
1		1125222-NLA	NLA - Kit, Power Wheelchair Tool Includes: 1 ea. Multimeter with Leads 1 ea. Locator, Protractor/Angle Magnetic Base 1 ea. Instructions, MKIV Programmer 1 ea. Wire, Grounding with Hand Strap and Clip 1 ea. Leads, 1" Test 1 ea. Light, Pen with Invacare Logo 1 ea. Tape Measure, Compact with Invacare Logo 1 ea. Screwdriver, Pen-Size Phillips/Flat Head 1 ea. Cable, Virtual Service Charger/Modem	1	1

Miscellaneous Accessories

Item Number	Note	Part Number	Description	Quantity Per	
				Package	Assembly
	A,B	1004310	Strap, Positioning, Seat/Chest w/ Auto Style Push Button Buckle (Eyelet to Eyelet Length 48")	1	1
	A,C	1034625	Strap, Positioning, Seat/Chest w/ Auto Style Push Button Buckle (Eyelet to Eyelet Length 61")	1	1
	A,C	TAGTS1034751-NLA	NLA - Strap, Positioning, Seat/Chest w/ Airline Style Buckle (Eyelet to Eyelet Length 46")	1	1
	A,C,G	1034752-NLA	NLA - Strap, Positioning, Seat/Chest w/ Airline Style Buckle (Eyelet to Eyelet Length 61")	1	1
	A,F	1034745	Strap, Positioning, Seat/Chest w/ Hook and Loop Style Buckle (Eyelet to Eyelet Length 61")	1	1
	A	0020200-NLA	NLA - Kit, Legrest with Screws, Otto Bock (6" W x 9" H)	1	1
	A	0020300-NLA	NLA - Adapter Plate, Otto Bock Legrest Pad	1	1
	A,D	0143900-NLA	NLA - Flap, Back Pan - Tarsys	1	1
	A,E	0144000-NLA	NLA - Flap, Back Pan - Tarsys	1	1
	A,C	0144100-NLA	NLA - Flap, Back Pan - Tarsys	1	1
<p>NOTE: A - Not Shown B - 16-19" Wide C - 20-22" Wide D - 16-17" Wide E - 18-19" Wide F - 16-22" Wide G - 1034752 Airline Buckle Style is No Longer Available. Use Auto Style part number 1034625 as a replacement.</p>					

Invacare Corporation

www.invacare.com



Yes, you can.

One Invacare Way
Elyria, Oh USA
44036-2125
800-333-6900

Technical Support
800-832-4707
Florida Technical Support
407-321-5630

Customer Service
800-333-6900

© 2022 Invacare Corporation. All rights reserved. Republication, duplication or modification in whole or in part is prohibited without prior written permission from Invacare. Trademarks are identified by ™ and ®. All trademarks are owned by or licensed to Invacare Corporation or its subsidiaries unless otherwise noted. (Revised 11/01/22)

Form No. 00-68