

**9000 Topaz™  
Wheelchair**



*Yes, you can.*

# Parts Catalog Usage Guide

The information contained in this document is subject to change without notice. This catalog contains service parts for Form No. 00-103. If you have any questions regarding this catalog, please contact one of our Customer Service Representatives.

**For Customer Service Support Call:**

**1-800-333-6900**

**For Faxed In Orders Call:**

**1-800-678-4682 or**

**1-440-366-0709**

**For Technical Service Call:**

**1-800-832-4707**

**Literature Can Be Found at:**

**www.invacare.com or**

**1-800-828-6272**

## SYMBOL DEFINITION

Throughout this catalog you will notice letters to draw your attention to specific footnotes which are located at the bottom of the page or below specified charts.

Examples:

A,B,C etc. = Special Comments

NOTE: = General information pertaining to that specific page

NLA = No Longer Available

## HARDWARE MEASUREMENTS

The measurements for the hardware will be listed as follows:

Screws, Bolts Diameter X Thread Count/Pitch X Length

Washers Inside Diameter X Outside Diameter X Thickness

Spacers Inside Diameter X Outside Diameter X Length

For your convenience, we have supplied an area for you to list your Invacare Representatives.

Name	Phone Numbers

© 2022 Invacare Corporation, Elyria, Ohio. Invacare, the Medallion Design, and Yes, you can. are registered trademarks; Topaz is a registered trademark of Invacare Corporation.

# TABLE of CONTENTS

Description	Page Number
Accessories - I.V. Oxygen Holder - T1496 - Oxygen Holder -T1497 .....	53
Accessories - I.V. Rod - Telescoping - T1322 .....	55
Accessories - Miscellaneous .....	59
Accessories - Push Bar - T1483 .....	57
Arms - Conventional Adjustable Height .....	21
Arms - Conventional Adjustable Height - Bariatric .....	24
Arms - Conventional Fixed Height .....	27
Arms - Conventional Fixed Height - Bariatric .....	30
Canes - Back and Hardware .....	14
Casters - Front and Mounting Hardware .....	33
Crossbraces and Hardware .....	12
Forks and Hardware .....	32
Frame Finishes, Packaging, and Upholstery Colors .....	4
Frames - Side and Hardware .....	5
Frames - Side and Hardware - Bariatric .....	9
Front Riggings - Calf Pads .....	50
Front Riggings - Footrest Support Assembly - TZ33A .....	45
Front Riggings - Legrest Support Assembly - TZ34A .....	46
Front Riggings - One Piece Footboard .....	51
Front Riggings - Pivot Slide Tube with Footplate .....	48
Upholstery - Back and Seat & Hardware .....	16

# TABLE of CONTENTS

<b>Description</b>	<b>Page Number</b>
Wheel - Rear and Hardware .....	35
Wheel Locks - Clamp-On (After 9/1/05) .....	43
Wheel Locks - Disk Style (Between 8/15/03 - 8/31/05) .....	41
Wheel Locks - Link-Pivot Style - Chrome Chairs (Before 9/1/05) .....	37
Wheel Locks - Link-Pivot Style - Color Chairs (Before 9/1/05) .....	39



# Frame Finishes, Packaging, and Upholstery Colors

NOTE: When adjusting or replacing parts, please refer to your Owner's Manual for assistance.

## Upholstery Colors

Part Number	Description
U240	Black Nylon
U67	Black Vinyl
U550	Midnight Blue Vinyl

## Frame Finishes

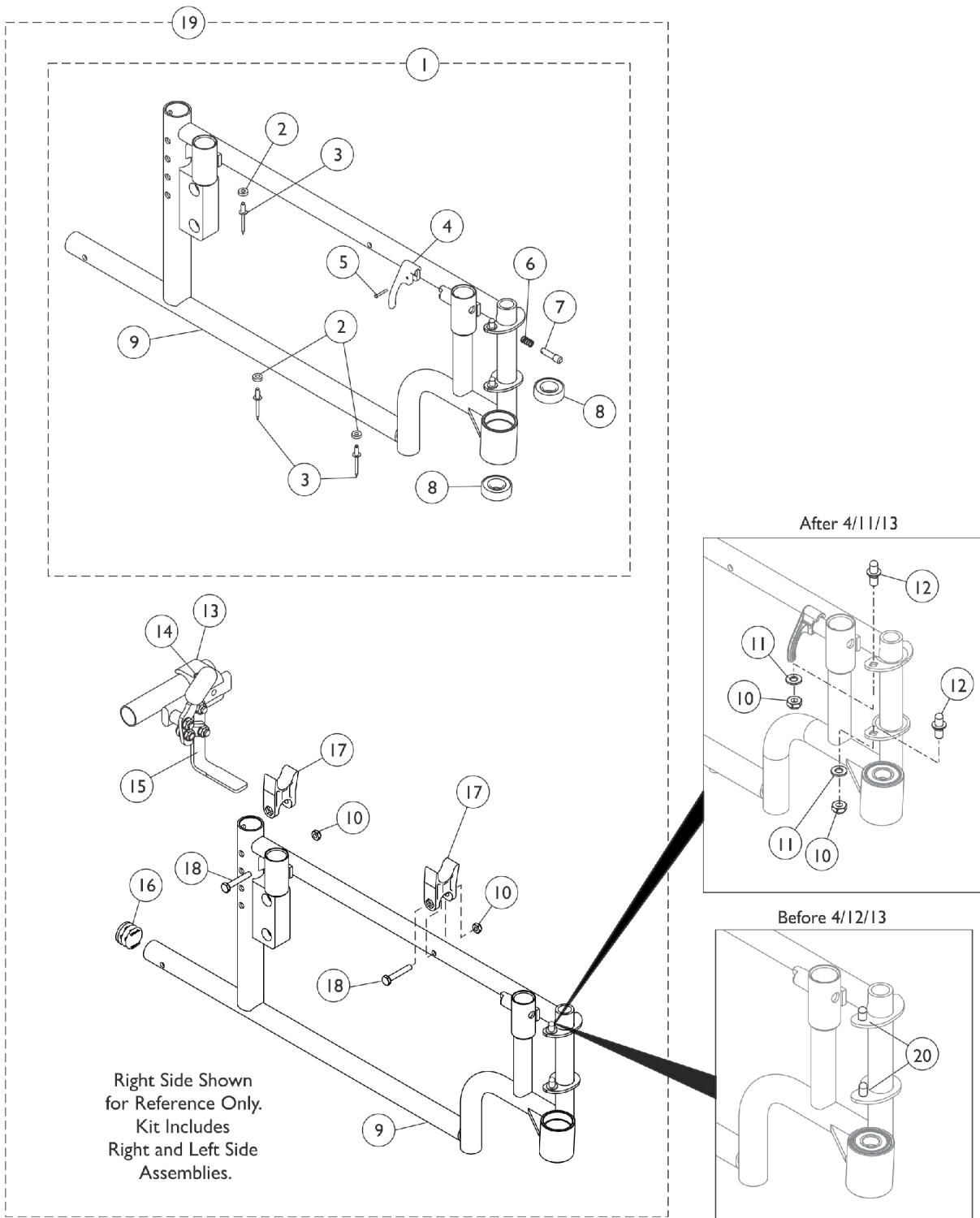
Part Number	Color Description	Touch-Up Paint
24P	Wet Black	1031450-NLA
62P	Electric Blue	1046320-NLA See Note(s) B
71P	Silver Vein	N/A
104P	Electric Teal	1101316 See Note(s) B

NOTE: B - The painted finish is no longer available for chairs manufactured after 3/5/01.

## Packaging and Literature

Part Number	Description
1100551	Carton
40131X039-NLA	NLA - Insert, Carton
40131X041	Insert, Top Carton
40131X011-NLA	Insert, Top Carton
1102229	Insert, Carton
00077X031-NLA	NLA - Warranty Card
1100869	Owner's Manual, 9000 Topaz
1102154	Decals, Topaz

# Side Frames and Hardware



## Side Frames and Hardware

Item Number	Note	Part Number	Description	Quantity Per	
				Package	Assembly
1	A,B,G, G1	8881139590	Side Frame Assembly, Color - Right	1	1
2			NLA - Washer, Nylon (3/16 x 7/16 x 1/8")	1	3
3			NLA - Rivet (3/16 x 7/16")	1	3
4			Handle, Lock, Black - Right	1	1
5			Rivet, Tubular	1	1
6			Spring, Arm Lock	1	1
7			Pin, Locking	1	1
8			Bearing (5/8")	1	2
9			Frame, Side, Color - Right	1	1
1	A,B,G, G1	8881139591	Side Frame Assembly, Color - Left	1	1
2			NLA - Washer, Nylon (3/16 x 7/16 x 1/8")	1	3
3			NLA - Rivet (3/16 x 7/16")	1	3
4			Handle, Lock, Black - Left	1	1
5			Rivet, Tubular	1	1
6			Spring, Arm Lock	1	1
7			Pin, Locking	1	1
8			Bearing (5/8")	1	2
9			Frame, Side, Color - Left	1	1
19	B,C,D	8881139600	Kit, Frames and Push to Lock Wheel Locks, Color	1	1
2			NLA - Washer, Nylon (3/16 x 7/16 x 1/8")	1	6
3			NLA - Rivet (3/16 x 7/16")	1	6
4			Handle, Lock, Black - Right	1	1
4			Handle, Lock, Black - Left	1	1
5			Rivet, Tubular	1	2
6			Spring, Arm Lock	1	2
7			Pin, Locking	1	2
8			Bearing (5/8")	1	4
9			Frame, Side, Color - Right	1	1
9			Frame, Side, Color - Left	1	1
10			Locknut (1/4-20)	1	8
11			Washer, Plain (1/4 x 1/2 x 9/16")	1	4
12			Pin, Hinge	1	4
13			Clamp, Wheel Lock, Threaded (7/8")	1	2
13			NLA - Clamp, Wheel Lock, Non-Threaded (7/8")	1	2
14			Screw, Allen Head (1/4-20 x 1")	1	4
15			Wheel Lock, High Mount, Push to Lock - Right	1	1
15			Wheel Lock, High Mount, Push to Lock - Left	1	1
16	Plug Button, Black (3/4")	1	2		
17	H-Block	1	4		
18	Screw, Hex Head (1/4-20 x 1-1/2")	1	4		
19	B,C,D	8881139601	Kit, Frames and Pull to Lock Wheel Locks, Color	1	1
2			NLA - Washer, Nylon (3/16 x 7/16 x 1/8")	1	6
3			NLA - Rivet (3/16 x 7/16")	1	6

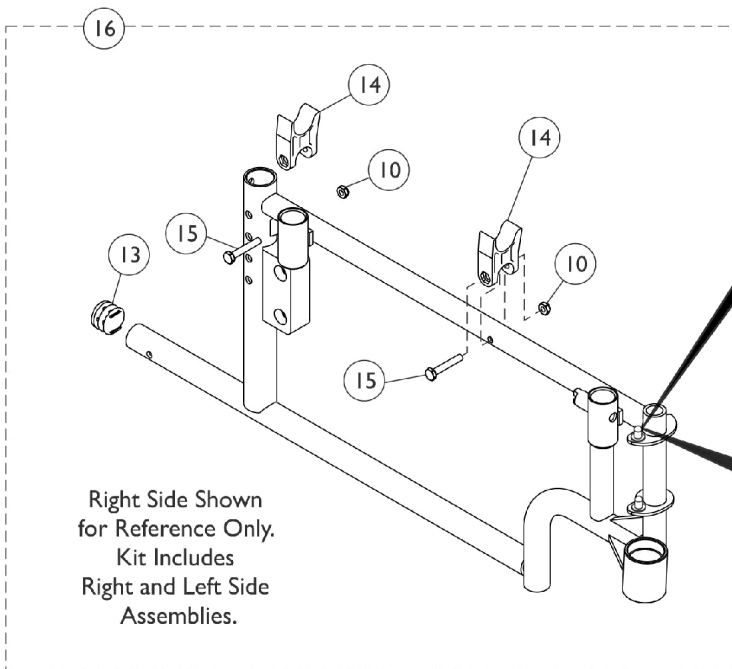
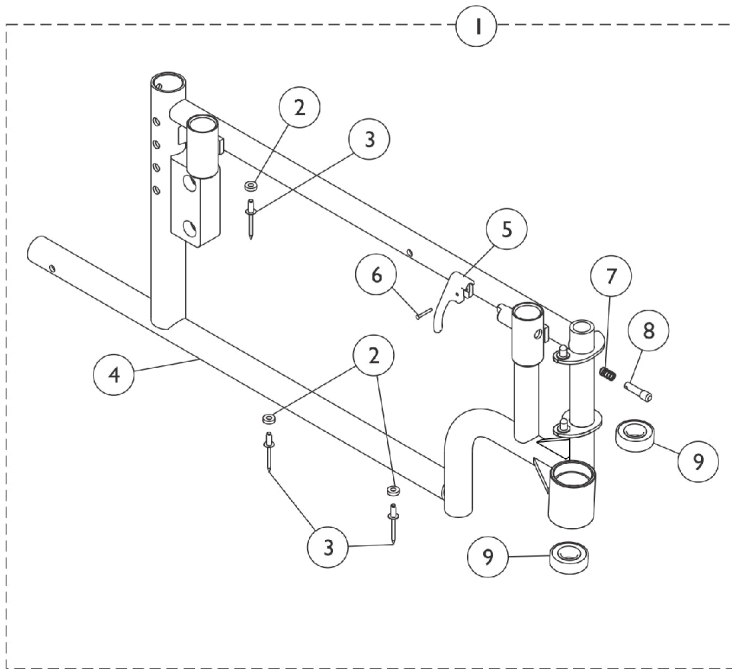
## Side Frames and Hardware

Item Number	Note	Part Number	Description	Quantity Per	
				Package	Assembly
4			Handle, Lock, Black - Right	1	1
4			Handle, Lock, Black - Left	1	1
5			Rivet, Tubular	1	2
6			Spring, Arm Lock	1	2
7			Pin, Locking	1	2
8			Bearing (5/8")	1	4
9			Frame, Side, Color - Right	1	1
9			Frame, Side, Color - Left	1	1
10			Locknut (1/4-20)	1	8
11			Washer, Plain (1/4 x 1/2 x 9/16")	1	4
12			Pin, Hinge	1	4
13			Clamp, Wheel Lock, Threaded (7/8")	1	2
13			NLA - Clamp, Wheel Lock, Non-Threaded (7/8")	1	2
14			Screw, Allen Head (1/4-20 x 1")	1	4
15			Wheel Lock, Clamp On, Pull to Lock - Right	1	1
15			Wheel Lock, Clamp On, Pull to Lock - Left	1	1
16			Plug Button, Black (3/4")	1	2
17			H-Block	1	4
18			Screw, Hex Head (1/4-20 x 1-1/2")	1	4
	D,E	1100792	Kit, Frame Hardware (Pair)	1	1
10			Locknut (1/4-20)	1	8
11			Washer, Plain (1/4 x 1/2 x 9/16")	1	4
12			Pin, Hinge	1	4
16			Plug Button, Black (3/4")	1	2
17			H-Block	1	4
18			Screw, Hex Head (1/4-20 x 1-1/2")	1	4
20	G,G1,H	1096781	Kit, Hinge Pin Replacement Hardware (Pair)	1	1
			NLA - Wrench, Allen (3/32")	1	1
			Cap, Threaded	1	4
			Washer, Locking Split (#10)	1	4
			Screw, Socket Button Head Cap, Regulator (8-32 x 3/8")	1	4
	H	8881101479-NL A	NLA - Frame w/ Bearings, Rivets & Lock Handles, Color - Right	1	1
	H	8881101480-NL A	NLA - Frame w/ Bearings, Rivets & Lock Handles, Color - Left	1	1
	H	1101481-NLA	NLA - Frame w/ Bearings, Rivets & Lock Handles, Chrome - Right	1	1
	H	1101482-NLA	NLA - Frame w/ Bearings, Rivets & Lock Handles, Chrome - Left	1	1
	F	7100053	Arm Lock Assembly, Black - Right	1	1
4			Handle, Lock, Black - Right	1	1
5			Rivet, Tubular	1	2
6			Spring, Arm Lock	1	2
7			Pin, Locking	1	2

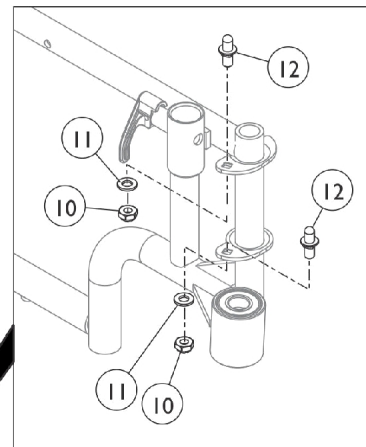
## Side Frames and Hardware

Item Number	Note	Part Number	Description	Quantity Per	
				Package	Assembly
4	F	7100054	Arm Lock Assembly, Black - Left	1	1
5			Handle, Lock, Black - Left	1	1
6			Rivet, Tubular	1	2
7			Spring, Arm Lock	1	2
			Pin, Locking	1	2
<p>NOTE: A - Includes items 2-9. For replacement of chairs with clamp-on style wheel locks only. Any other style wheel lock will need the complete kit including side frames and wheel locks.</p> <p>B - Specify frame color when ordering. See category titled, " Frame Finishes, Packaging, and Upholstery Colors."</p> <p>C - Includes items 2-18. Effective 9/1/05, due to style change of side frame and the option of clamp-on wheel locks, side frames will have to be replaced in pairs.</p> <p>D - Not shown.</p> <p>E - Includes items 10-12 and 16-18.</p> <p>F - Not shown. Includes items 4-7.</p> <p>G - Hinge Pin Replacement Hardware Kit is only used on Side Frames w/ welded-on Hinge Pins manufactured before 4/12/13. Side Frames after 4/11/13 have Hinge Pin Saddle Plates w/ square holes to attach REMOVABLE Non-Welded Hinge Pins.</p> <p>G1 - All Side Frames ordered after 4/11/13 require new Side Frame Hardware that will include the removable Hinge Pins also. Removable Hinge Pins are not sold separately.</p> <p>H - Not Shown</p>					

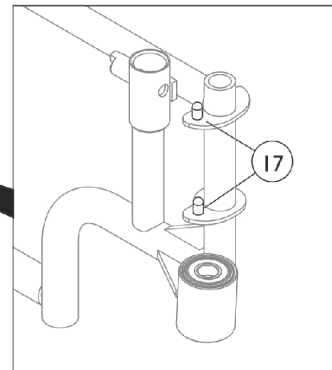
# Bariatric Side Frame and Hardware



After 4/11/13



Before 4/12/13



SSM\_044A

## Bariatric Side Frame and Hardware

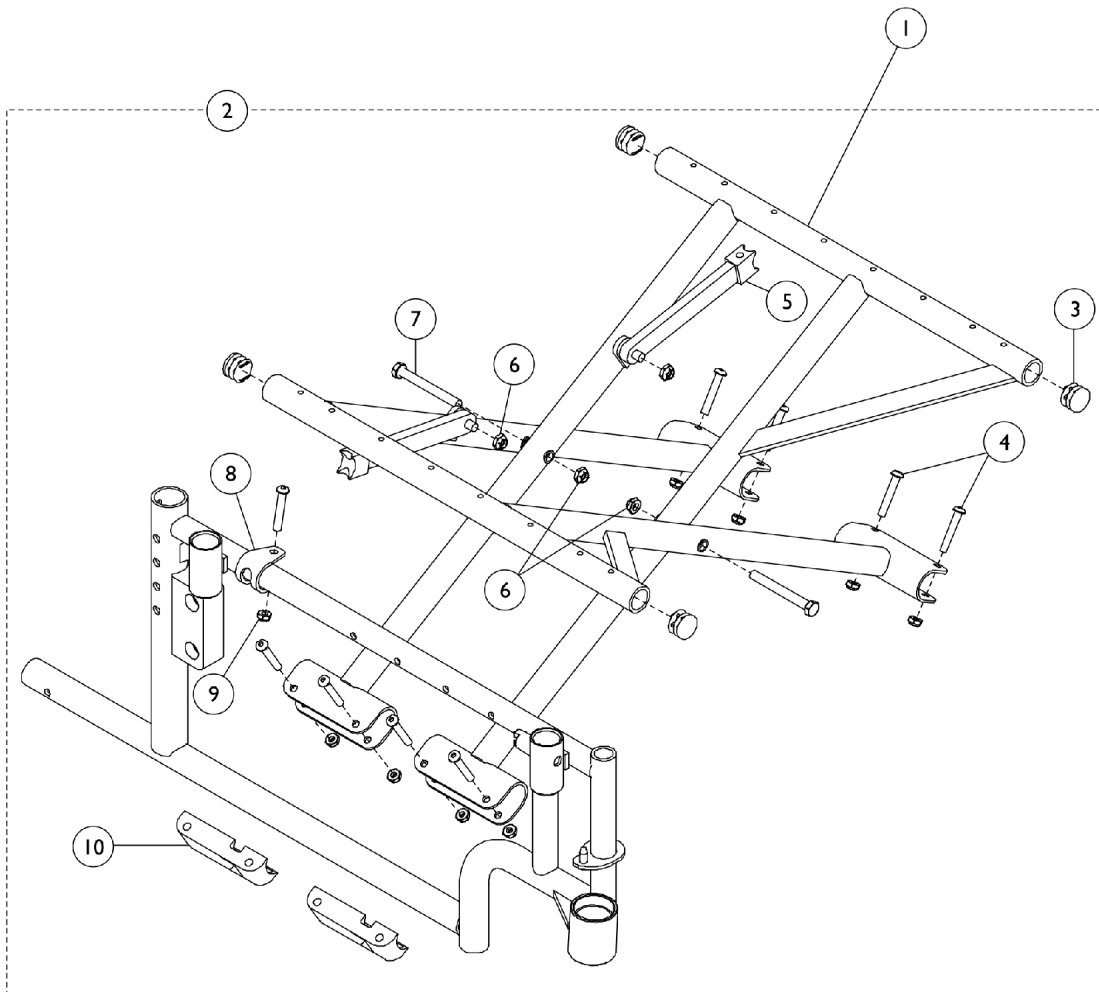
Item Number	Note	Part Number	Description	Quantity Per	
				Package	Assembly
1	A,D,D1	8881140874	Frame Assembly, Side, Color - Right	1	1
2			NLA - Washer, Nylon (3/16 x 7/16 x 1/8")	1	3
3			NLA - Rivet (3/16 x 7/16")	1	3
4			Frame, Side, Color - Right	1	1
5			Handle, Lock, Black - Right	1	1
6			Rivet, Tubular	1	1
7			Spring, Arm Lock	1	1
8			Pin, Locking	1	1
9			Bearing (5/8")	1	2
1	A,D,D1	8881140875	Frame Assembly, Side, Color - Left	1	1
2			NLA - Washer, Nylon (3/16 x 7/16 x 1/8")	1	3
3			NLA - Rivet (3/16 x 7/16")	1	3
4			Frame, Side, Color - Left	1	1
5			Handle, Lock, Black - Left	1	1
6			Rivet, Tubular	1	1
7			Pin, Locking	1	1
8			Spring, Arm Lock	1	1
9			Bearing (5/8")	1	2
16	B	1100792	Kit, Frame Hardware (Pair)	1	1
10			Locknut (1/4-20)	1	8
11			Washer, Plain (1/4 x 1/2 x 9/16")	1	4
12			Pin, Hinge	1	4
13			Plug Button, Black (3/4")	1	2
14	H-Block	1	4		
15	Screw, Hex Head (1/4-20 x 1-1/2")	1	4		
17	D,D1	1096781	Kit, Hinge Pin Replacement Hardware (Pair)	1	1
			NLA - Wrench, Allen (3/32")	1	1
			Cap, Threaded	1	4
			Washer, Locking Split (#10)	1	4
			Screw, Socket Button Head Cap, Regulator (8-32 x 3/8")	1	4
	C	7100053	Arm Lock Assembly, Black - Right	1	1
5			Handle, Lock, Black - Right	1	1
6			Rivet, Tubular	1	1
7	Spring, Arm Lock	1	1		
8	Pin, Locking	1	1		
	C	7100054	Arm Lock Assembly, Black - Left	1	1
5			Handle, Lock, Black - Left	1	1
6			Rivet, Tubular	1	2
7			Spring, Arm Lock	1	2
8			Pin, Locking	1	2

## Bariatric Side Frame and Hardware

NOTE: A - Includes items 2-9. Specify color when ordering. See category titled, "Frame Finishes, Packaging and Upholstery Colors."  
B - Includes items 10-15.  
C - Not shown. Includes items 5-8.  
D - Hinge Pin Replacement Hardware Kit is only used on Side Frames w/ welded-on Hinge Pins manufactured before 4/12/13. Side Frames after 4/11/13 have Hinge Pin Saddle Plates w/ square holes to attach REMOVABLE Non-Welded Hinge Pins.  
D1 - All Side Frames ordered after 4/11/13 require new Side Frame Hardware that will include the removable Hinge Pins also. Removable Hinge Pins are not sold separately.



# Crossbraces and Hardware



## Crossbraces and Hardware

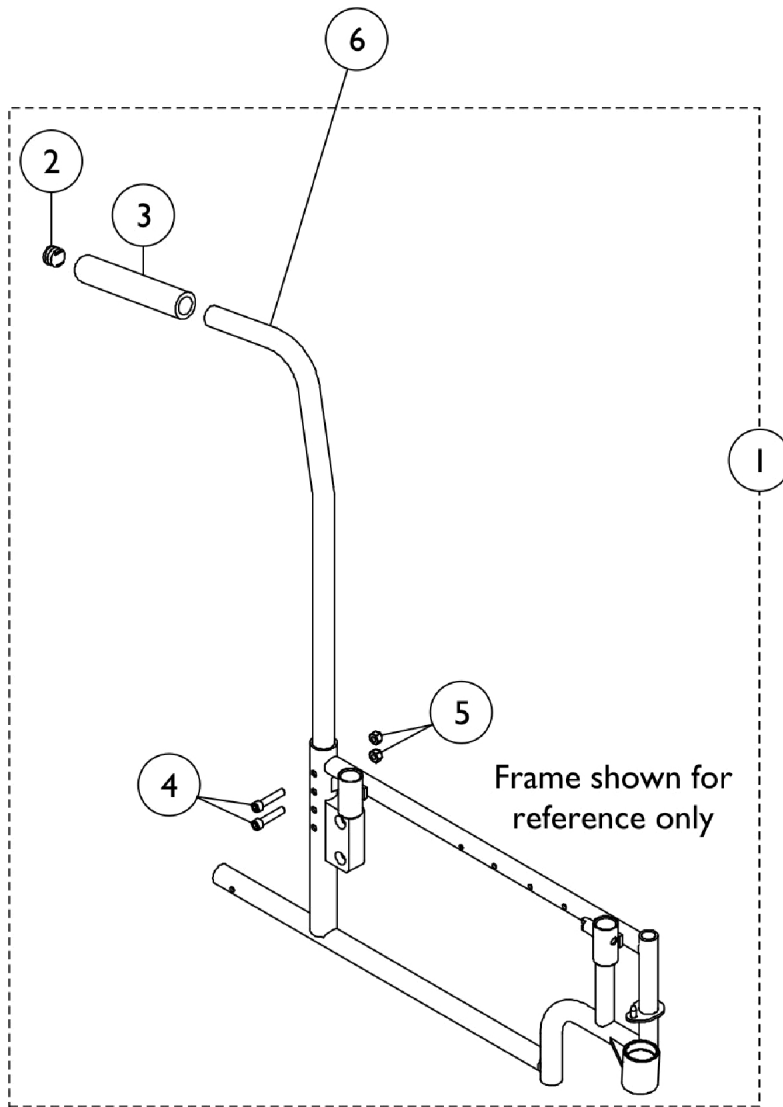
Item Number	Note	Part Number	Description	Quantity Per	
				Package	Assembly
1		See Chart	#1 Crossbraces without Hardware	1	1
2	A	1100791	Hardware, Crossbrace (20" W)	1	1
2	A	1100828	Hardware, Crossbrace (22" W)	1	1
2	A	1100829	Hardware, Crossbrace (24" W)	1	1
2	A	1100830	Hardware, Crossbrace (26" W)	1	1
2	A	1100831	Hardware, Crossbrace (28" W)	1	1
2	A	1100832	Hardware, Crossbrace (30" W)	1	1
3		1027095	Plug Button, Black (7/8")	1	4
4		1008495	Screw, Socket Button Head (1/4-20 x 1-1/2")	1	10
5		1100833	Link, Black (20" W)	1	2
5		1100834	Link, Black (22" W)	1	2
5		1100835	Link, Black (24" W)	1	2
5		1100836	Link, Black (26" W)	1	2
5		1100837	Link, Black (28" W)	1	2
5		1100838-NLA	NLA - Link, Black (30" W)	1	2
6		60264X001	Locknut (5/16-24)	1	1
7		40317X001	Screw, Hex Head (5/16-24 x 2-3/4")	1	2
8		1012180	Bracket, Pivot, Black	1	2
9		60275X000	Locknut (1/4-20)	1	1
10		1012172-NLA	NLA - Clamp, Saddle	1	4

NOTE: A - Includes Items 3-10.

### #1 Crossbraces without Hardware

Chair Width:	Side	18" Chair Depth	20" Chair Depth
20"	Right	1098803	1098805
	Left	1098804	1098806
22"	Right	1098834	1098836
	Left	1098835	1098837
24"	Right	1098839	1098841
	Left	1098840	1098842
26"	Right	1098844	1098846
	Left	1098845	1098847
28"	Right	1098849	1098851
	Left	1098850	1098852
30"	Right	1098782	1098790
	Left	1098783	1098791

# Back Canes and Hardware

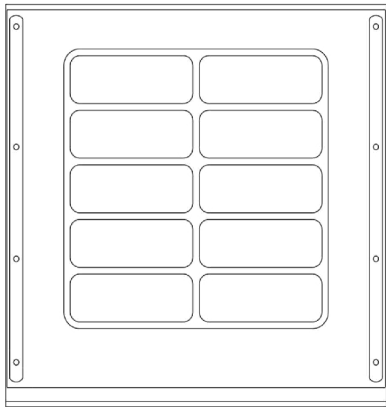


# Back Canes and Hardware

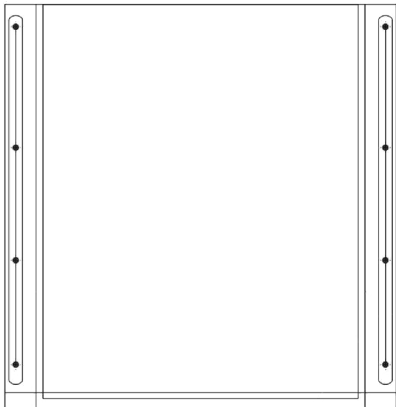
## Back Canes and Hardware

Item Number	Note	Part Number	Description	Quantity Per	
				Package	Assembly
1	A	1100785	Kit, Back Cane Hardware (Pair)	1	1
2			Plug Button, Black (7/8")	1	2
3			Grip, Foam Hand (6-7/8" L)	1	2
4			Locknut (5/16-18)	1	4
5			Screw, Socket Head (5/16-18 x 1-1/2")	1	4
6		1100769	Cane, Back, Black	1	1
NOTE: A - Includes items 2-5. Hardware quantity accommodates the right and left side frames					

# Back / Seat Upholstery & Hardware



Back Upholstery - Vinyl



Back Upholstery - Nylon

# Back / Seat Upholstery & Hardware

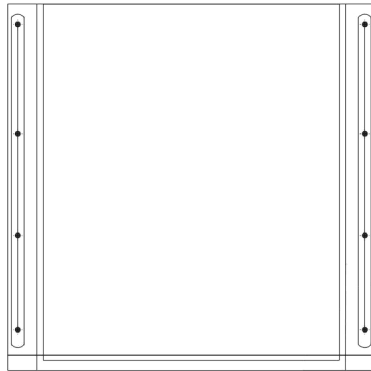
## Back Upholstery

Upholstery Type	20" Chair Width	22" Chair Width	24" Chair Width	26" Chair Width	28" Chair Width	30" Chair Width
Nylon	1101500	1101501	1101502	1101503	1101504	1101505
Expanded Vinyl, Embossed	8881101472 See Note(s) A	8881101473 See Note(s) A	8881101474 See Note(s) A	8881101475 See Note(s) A	8881101476 See Note(s) A	8881101477 See Note(s) A
NOTE: A - Specify upholstery color when ordering. See category titled, "Frame Finishes, Packaging and Upholstery Colors."						

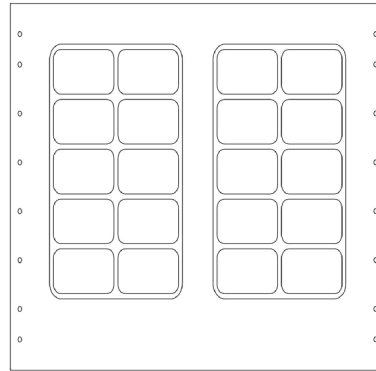
## Back Upholstery Hardware

Part Number	Description
1101446	Back Upholstery Hardware Includes: (18) Washer (1/4 x 3/4 x 3/32") (18) Screws (#12 x 7/8")

# Back / Seat Upholstery & Hardware



Seat Upholstery - Nylon



Seat Upholstery - Vinyl

## Nylon - Seat Upholstery

Depth	20" W	22" W	24" W	26" W	28" W	30" W
18" Depth	1101506	1101507	1101508	1101509	1101510	1102130
20" Depth	1101494	1101495	1101496	1101497	1101498	1101499

## Expanded Vinyl, Embossed - Seat Upholstery

Depth	20" Wide	22" Wide	24" Wide	26" Wide	28" Wide	30" Wide
18" D	8881101434	8881101435	8881101436	8881101437	8881101438	8881101439
	See Note(s) A	See Note(s) A	See Note(s) A	See Note(s) A	See Note(s) A	See Note(s) A
20" D	8881101466	8881101467	8881101468	8881101469	8881101470	8881101471
	See Note(s) A	See Note(s) A	See Note(s) A	See Note(s) A	See Note(s) A	See Note(s) A

# Back / Seat Upholstery & Hardware

NOTE: A - Specify upholstery color when ordering. See category titled, "Frame Finishes, Packaging and Upholstery Colors."

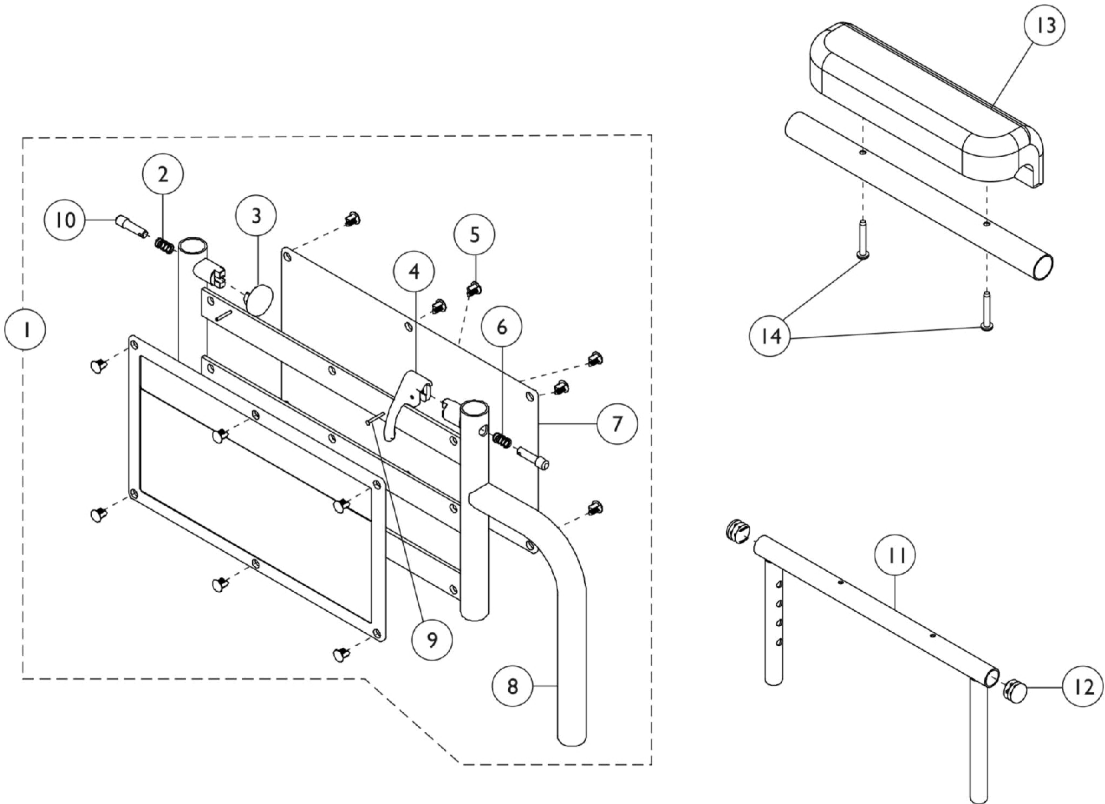


# Back / Seat Upholstery & Hardware

## Seat Hardware

Part Number	Description	Quantity
1101447	Seat Hardware, 18" Deep Chair	Seat Upholstery Hardware Includes: (16) Washer (1/4 x 3/4 x 3/32") (16) Screws (#12 x 7/8")
1101446	Seat Hardware, 20" Deep Chair	Seat Upholstery Hardware Includes: (18) Washer (1/4 x 3/4 x 3/32") (18) Screws (#12 x 7/8")

# Conventional Adjustable Height Arms



## Conventional Adjustable Height Arms

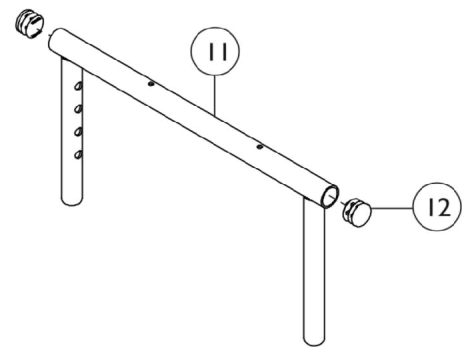
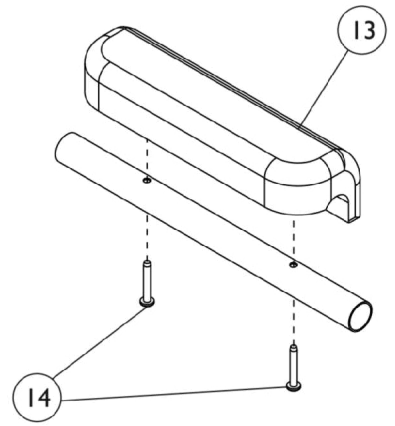
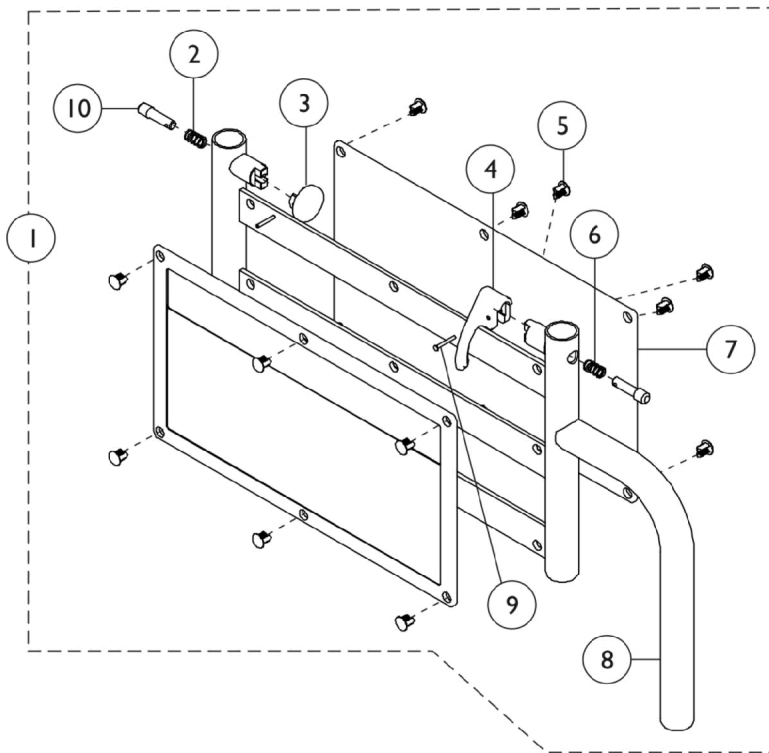
Item Number	Note	Part Number	Description	Quantity Per	
				Package	Assembly
1	A	1136069	Arm Base Assembly, Chrome - Right	1	1
2			Spring, Arm Lock	1	2
3			Lock, Handle Knob, Black	1	1
4			Handle, Lock, Black - Right	1	1
5			Rivet	1	6
6			NLA - Pin, Roll (5/64 x 5/8")	1	1
7			Guard, Clothing	1	1
8			Base, Arm, Chrome - Right/Left	1	1
9			Rivet, Tubular	1	1
10			Pin, Locking	1	2
1	A	1136070	Arm Base Assembly, Chrome - Left	1	1
2			Spring, Arm Lock	1	2
3			Lock, Handle Knob, Black	1	1
4			Handle, Lock, Black - Left	1	1
5			Rivet	1	6
6			NLA - Pin, Roll (5/64 x 5/8")	1	1
7			Guard, Clothing	1	1
8			Base, Arm, Chrome - Right/Left	1	1
9			Rivet, Tubular	1	1
10			Pin, Locking	1	2
1	A,B	8881136071	Arm Base Assembly, Color - Right	1	1
2			Spring, Arm Lock	1	2
3			Lock, Handle Knob, Black	1	1
4			Handle, Lock, Black - Right	1	1
5			Rivet	1	6
6			NLA - Pin, Roll (5/64 x 5/8")	1	1
7			Guard, Clothing	1	1
8			Base, Arm, Color - Right	1	1
9			Rivet, Tubular	1	1
10			Pin, Locking	1	2
1	A,B	8881136072	Arm Base Assembly, Color - Left	1	1
2			Spring, Arm Lock	1	2
3			Lock, Handle Knob, Black	1	1
4			Handle, Lock, Black - Left	1	1
5			Rivet	1	6
6			NLA - Pin, Roll (5/64 x 5/8")	1	1
7			Guard, Clothing	1	1
8			Base, Arm, Color - Right	1	1
9			Rivet, Tubular	1	1
10			Pin, Locking	1	2
11		1101488-NLA	NLA - Armrest, Adjustable Top with Plug Buttons, Full Length, Chrome	1	1
11		1101490-NLA	NLA - Armrest, Adjustable Top with Plug Buttons, Desk Length, Chrome	1	1

## Conventional Adjustable Height Arms

Item Number	Note	Part Number	Description	Quantity Per	
				Package	Assembly
11		1101489	Armrest, Adjustable Top with Plug Buttons, Full Length, Black	1	1
11		1101491	Armrest, Adjustable Top with Plug Buttons, Desk Length, Black	1	1
12		1027095	Plug Button, Black (7/8")	1	2
13	G	1110817	Kit, Arm Pad w/ Screws, Desk Length, Urethane Waterfall, Black (9" L x 2-5/8" W) (Pair)	1	1
13	C,G	1110818	Kit, Arm Pad w/ Screws, Full Length, Urethane Waterfall, Black (13" L x 2-5/8" W) (Pair)	1	1
13	C,G	1117327	Kit, Arm Pad w/ Screws, Desk Length, Urethane Waterfall, Black (9" L x 2-5/8" W)	1	2
13	G	1117328	Kit, Arm Pad w/ Screws, Full Length, Urethane Waterfall, Black (13" L x 2-5/8" W)	1	2
14		1102153-NLA	NLA - Hardware, Armpad	1	2
14		1115322	Hardware, Armpad (Pair)	1	2
	D,E	1090768	Kit, Lock Handle w/Rivets (Pair)	1	1
	F	7100053	Arm Lock Assembly, Black - Right	1	1
			Handle, Lock, Black - Right	1	1
			Rivet, Tubular	1	2
			Pin, Locking	1	2
			Spring, Arm Lock	1	2
	F	7100054	Arm Lock Assembly, Black - Left	1	1
			Handle, Lock, Black - Left	1	1
			Rivet, Tubular	1	2
			Pin, Locking	1	2
			Spring, Arm Lock	1	2

NOTE: A - Includes items 2-10.  
 B - Specify frame color when ordering. See category titled, "Frame Finishes, Packaging, and Upholstery Colors."  
 C - Due to style change, arm pads are now sold in pairs and include hardware.  
 D - Not shown.  
 E - Includes items 4 and 9.  
 F - Not shown. Includes items 4, 6, 9 and 10.  
 G - Topaz Wheelchairs require longer mounting screws. When ordering this Armpad kit, also order item 14, kit #1115322.

# Conventional Adjustable Height Arms - Bariatric



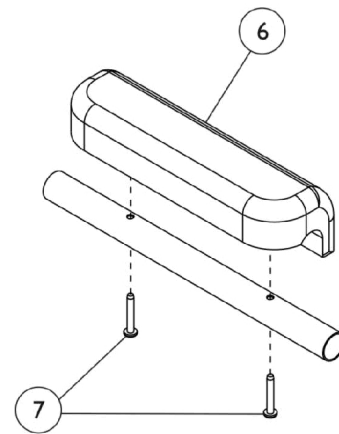
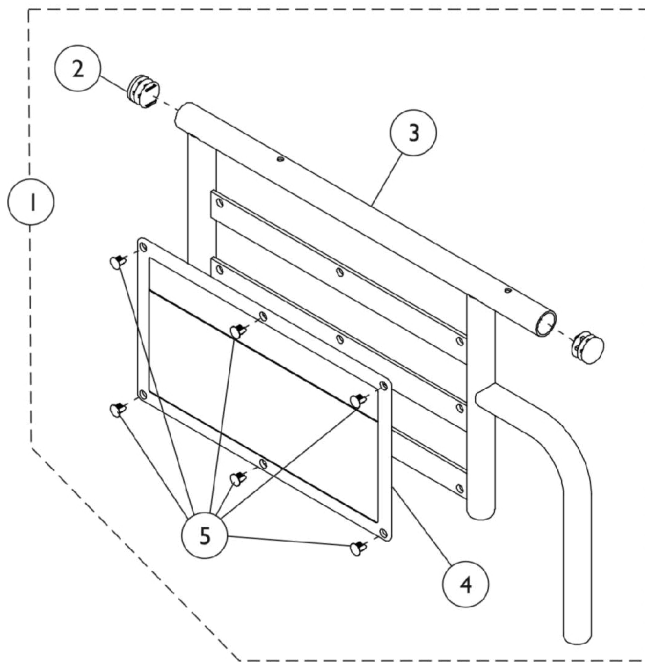
## Conventional Adjustable Height Arms - Bariatric

Item Number	Note	Part Number	Description	Quantity Per	
				Package	Assembly
1	A,B	8881140878	Arm Base Assembly, Color - Right	1	1
2			Spring, Arm Lock	1	2
3			Lock, Handle Knob, Black	1	1
4			Handle, Lock, Black - Right	1	1
5			Rivet	1	6
6			NLA - Pin, Roll (5/64 x 5/8")	1	1
7			Guard, Clothing	1	1
8			Base, Arm, Color	1	1
9			Rivet, Tubular	1	1
10			Pin, Locking	1	2
1	A,B	8881140879	Arm Base Assembly, Color - Left	1	1
2			Spring, Arm Lock	1	2
3			Lock, Handle Knob, Black	1	1
4			Handle, Lock, Black - Left	1	1
5			Rivet	1	6
6			NLA - Pin, Roll (5/64 x 5/8")	1	1
7			Guard, Clothing	1	1
8			Base, Arm, Color	1	1
9			Rivet, Tubular	1	1
10			Pin, Locking	1	2
11		1101489	Armrest, Adjustable Top with Plug Buttons, Full Length, Black	1	1
11		1101491	Armrest, Adjustable Top with Plug Buttons, Desk Length, Black	1	1
12		1027095	Plug Button, Black (7/8")	1	1
13	D	1117327	Kit, Arm Pad w/ Screws, Desk Length, Urethane Waterfall, Black (9" L x 2-5/8" W)	1	2
13	D	1117328	Kit, Arm Pad w/ Screws, Full Length, Urethane Waterfall, Black (13" L x 2-5/8" W)	1	2
14		1115322	Hardware, Armpad (Pair)	1	2
	C	7100053	Arm Lock Assembly, Black - Right	1	1
			Handle, Lock, Black - Right	1	1
			Rivet, Tubular	1	2
			Pin, Locking	1	2
			Spring, Arm Lock	1	2
	C	7100054	Arm Lock Assembly, Black - Left	1	1
			Handle, Lock, Black - Left	1	1
			Rivet, Tubular	1	2
			Pin, Locking	1	2
			Spring, Arm Lock	1	2

## Conventional Adjustable Height Arms - Bariatric

NOTE: A - Includes items 2-10.  
B - Specify color when ordering. See category titled, "Frame Finishes, Packaging and Upholstery Colors."  
C - Not Shown. Includes items 4, 6, 9 and 10.  
D - Topaz Wheelchairs require longer mounting screws. When ordering this Armpad kit, also order item 14, kit #1115322.

# Conventional Fixed Height Arms





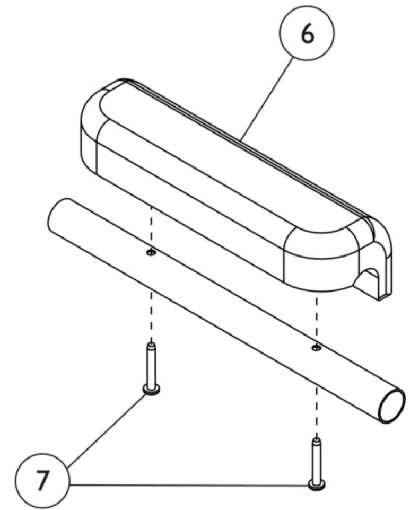
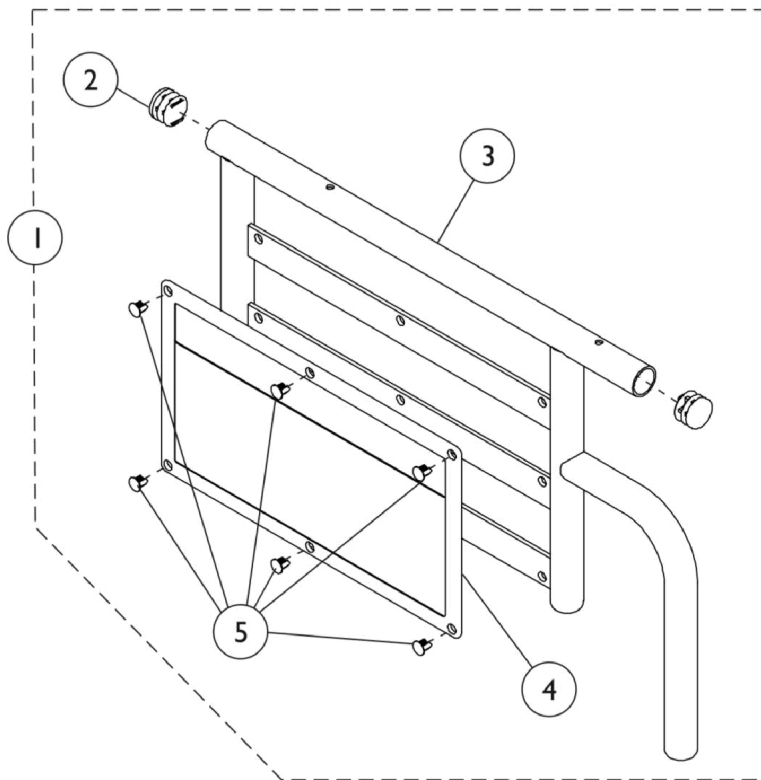
## Conventional Fixed Height Arms

Item Number	Note	Part Number	Description	Quantity Per	
				Package	Assembly
1	A	1136075-NLA	NLA - Arm Base Assembly, Full Length, Chrome - Right	1	1
2			Plug Button, Black (7/8")	1	2
3			Base, Arm, Full Length, Chrome - Right/Left	1	1
4			Guard, Clothing	1	1
5			Rivet	1	6
1	A	1136076	NLA - Arm Base Assembly, Full Length, Chrome - Left	1	1
2			Plug Button, Black (7/8")	1	2
3			Base, Arm, Full Length, Chrome - Right/Left	1	1
4			Guard, Clothing	1	1
5			Rivet	1	6
1	A,B	8881136077	Arm Base Assembly, Full Length, Color - Right	1	1
			Plug Button, Black (7/8")	1	2
			Rivet	1	6
			Guard, Clothing	1	1
			Base, Arm, Full Length, Color - Right/Left	1	1
1	A,B	8881136078	Arm Base Assembly, Full Length, Color - Left	1	1
			Plug Button, Black (7/8")	1	2
			Rivet	1	6
			Guard, Clothing	1	1
			Base, Arm, Full Length, Color - Right/Left	1	1
1	A	1136079	NLA - Arm Base Assembly, Desk Length, Chrome - Right	1	1
2			Plug Button, Black (7/8")	1	2
3			Base, Arm, Desk Length, Chrome - Right/Left	1	1
4			Guard, Clothing	1	1
5			Rivet	1	6
1	A	1136080	NLA - Arm Base Assembly, Desk Length, Chrome - Left	1	1
2			Plug Button, Black (7/8")	1	2
3			Base, Arm, Desk Length, Chrome - Right/Left	1	1
4			Guard, Clothing	1	1
5			Rivet	1	6
1	A	8881136081	Arm Base Assembly, Desk Length, Color - Right	1	1
2			Plug Button, Black (7/8")	1	2
3			Base, Arm, Desk Length, Color - Right/Left	1	1
4			Guard, Clothing	1	1
5			Rivet	1	6
1	A	8881136082	Arm Base Assembly, Desk Length, Color - Left	1	1
2			Plug Button, Black (7/8")	1	2
3			Base, Arm, Desk Length, Color - Right/Left	1	1
4			Guard, Clothing	1	1
5			Rivet	1	6

## Conventional Fixed Height Arms

Item Number	Note	Part Number	Description	Quantity Per	
				Package	Assembly
6	C,D	1110817	Kit, Arm Pad w/ Screws, Desk Length, Urethane Waterfall, Black (9" L x 2-5/8" W) (Pair)	2	2
6	C,D	1110818	Kit, Arm Pad w/ Screws, Full Length, Urethane Waterfall, Black (13" L x 2-5/8" W) (Pair)	2	2
6	D	1117327	Kit, Arm Pad w/ Screws, Desk Length, Urethane Waterfall, Black (9" L x 2-5/8" W)	1	1
6	D	1117328	Kit, Arm Pad w/ Screws, Full Length, Urethane Waterfall, Black (13" L x 2-5/8" W)	1	1
7		1102153-NLA	NLA - Hardware, Armpad	2	1
7		1115322	Hardware, Armpad (Pair)	2	1
NOTE: A - Includes items 2-5. B - Specify frame color when ordering. See category titled, "Frame Finishes, Packaging, and Upholstery Colors." C - Due to style change, arm pads are now sold in pairs and include hardware. D - Topaz Wheelchairs require longer mounting screws. When ordering this Armpad kit, also order item 14, kit #1115322.					

# Conventional Fixed Height Arms - Bariatric



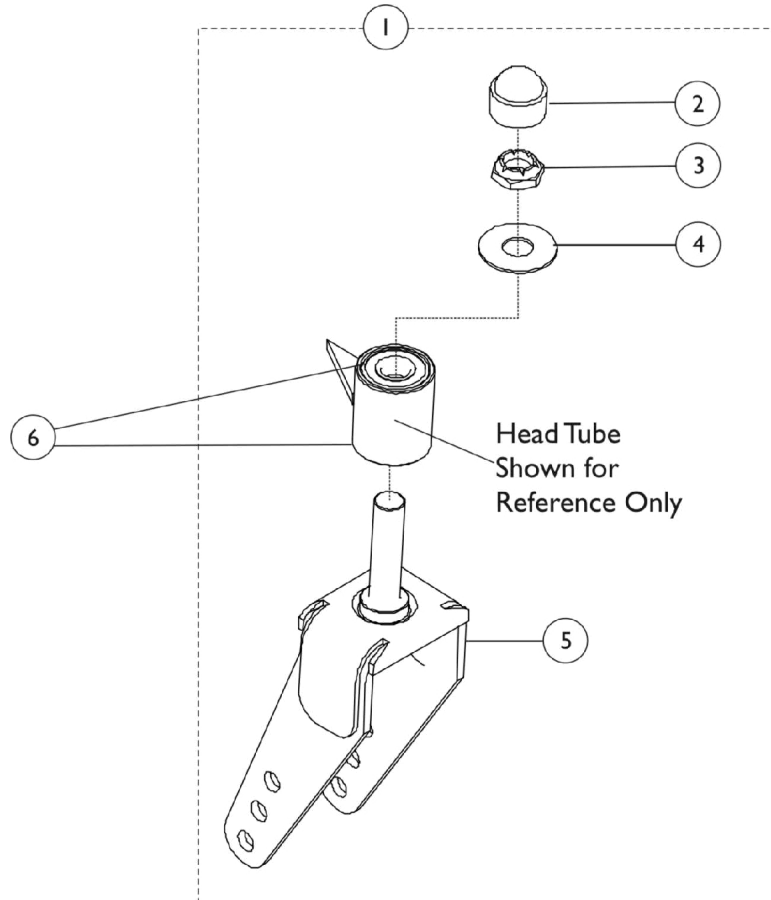
## Conventional Fixed Height Arms - Bariatric

Item Number	Note	Part Number	Description	Quantity Per	
				Package	Assembly
1	A,B	8881140892	Arm Base Assembly, Desk Length, Color - Right	1	1
2			Plug Button, Black (7/8")	1	2
3			Base, Arm, Desk Length, Color - Right/Left	1	1
4			Guard, Clothing	1	1
5			Rivet	1	6
1	A,B	8881140893	Arm Base Assembly, Desk Length, Color - Left	1	1
2			Plug Button, Black (7/8")	1	2
3			Base, Arm, Desk Length, Color - Right/Left	1	1
4			Guard, Clothing	1	1
5			Rivet	1	6
1	A,B	8881140885	Arm Base Assembly, Full Length, Color - Right	1	1
2			Plug Button, Black (7/8")	1	2
3			Base, Arm, Full Length, Color - Right/Left	1	1
4			Guard, Clothing	1	1
5			Rivet	1	6
1	A,B	8881140886	Arm Base Assembly, Full Length, Color - Left	1	1
2			Plug Button, Black (7/8")	1	1
3			Base, Arm, Full Length, Color - Right/Left	1	1
4			Guard, Clothing	1	1
5			Rivet	1	6
6	C	1117327	Kit, Arm Pad w/ Screws, Desk Length, Urethane Waterfall, Black (9" L x 2-5/8" W)	1	2
6	C	1117328	Kit, Arm Pad w/ Screws, Full Length, Urethane Waterfall, Black (13" L x 2-5/8" W)	1	2
7		1115322	Hardware, Armpad (Pair)	1	1
		7100053	Arm Lock Assembly, Black - Right	1	1
			Handle, Lock, Black - Right	1	1
			Rivet, Tubular	1	2
			Pin, Locking	1	2
			Spring, Arm Lock	1	2
		7100054	Arm Lock Assembly, Black - Left	1	1
			Handle, Lock, Black - Left	1	1
			Rivet, Tubular	1	2
			Pin, Locking	1	2
			Spring, Arm Lock	1	2

NOTE: A - Includes items 2-5.  
 B - Specify color when ordering. See category titled, "Frame Finishes, Packaging and Upholstery Colors."  
 C - Topaz Wheelchairs require longer mounting screws. When ordering this Armpad kit, also order item 14, kit #1115322.

# Forks and Hardware

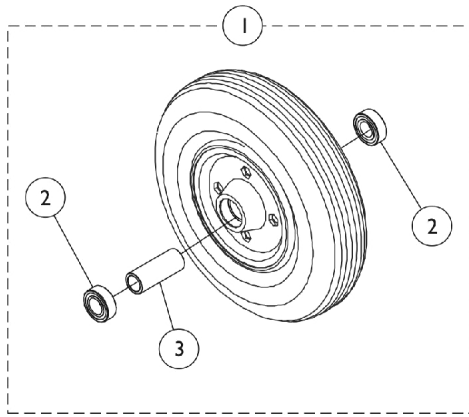
Note: 8" Fork Assembly shown. The 6" Fork Assembly has one caster wheel mounting hole.



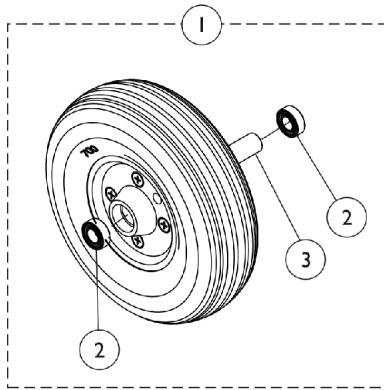
Item Number	Note	Part Number	Description	Quantity Per	
				Package	Assembly
1	A	1100810	Fork Assembly (6")	1	1
1	A	1100811	Fork Assembly (8")	1	1
2		1100809	Cap, Headtube, Black	1	1
3		60030X000	Locknut (5/8-18)	1	1
4		1102149	Washer, Nylon (5/8 x 1-19/32 x 1/16")	1	1
5		1100826	Fork, Black (6")	1	1
5		1100827	Fork, Black (8")	1	1
6	B	40117X006	Bearing (5/8")	1	2

NOTE: A - Includes Items 2-5.  
B - Includes top and bottom bearings.

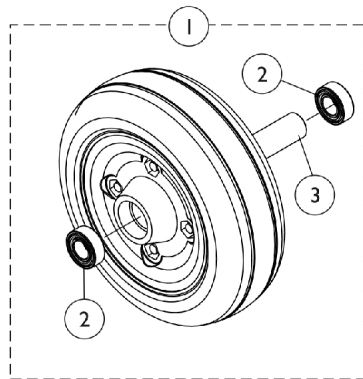
# Front Casters and Mounting Hardware



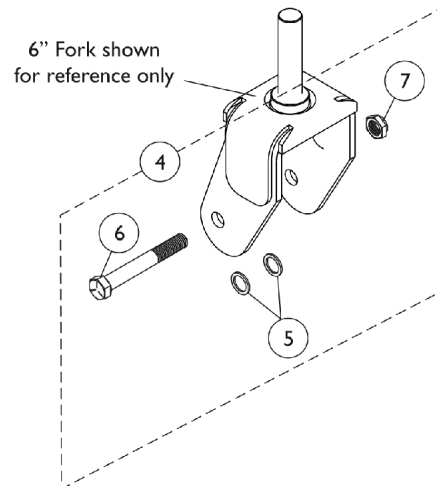
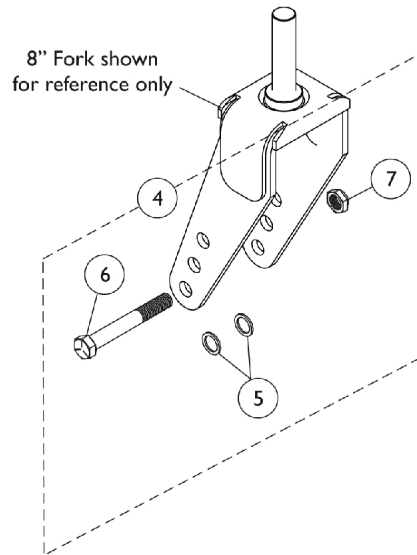
8" Caster (1228)



8" Caster (1228 HD)



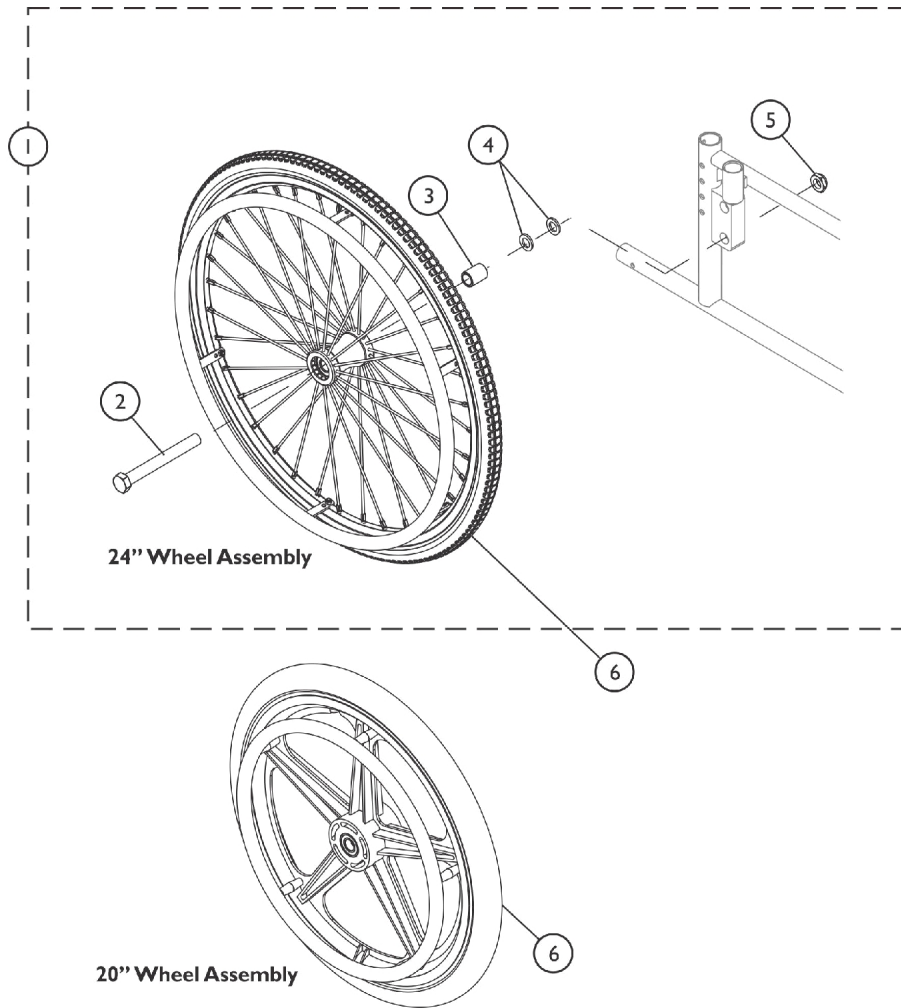
6" Caster (1259)



## Front Casters and Mounting Hardware

Item Number	Note	Part Number	Description	Quantity Per	
				Package	Assembly
1	A	1070811	Wheel Assembly, Semi-Pneumatic, Urethane, Light Grey (8" x 1-3/4")	1	2
1	A	1071666	Wheel Assembly, Semi-Pneumatic, Urethane, Light Grey (8" x 1-3/4") (Pair)	2	1
1	B	1119532	Wheel Assembly, Semi-Pneumatic, Urethane, Dark Grey (8" x 1-3/4")	1	1
1	C	1133469	Wheel Assembly, Semi-Pneumatic, Urethane, Dark Grey (8" x 2")	1	2
2			Bearing (7/16")	1	2
3			Spacer, Bearing (7/16 x 5/8 x 1-3/4")	1	1
			NLA - Kit, Rim w/ Hardware (Pair)	1	1
			Tire, Semi-Pneumatic, Urethane, Dark Grey (8" x 2")	1	1
1	D	1072014-NLA	NLA - Wheel Assembly, Semi-Pneumatic, Urethane (6" x 2")	1	2
1	D	1122066	Wheel Assembly, Semi-Pneumatic, Urethane, Deep Profile, Grey Tire/Black Hub (6" x 2") (Pair)	2	1
2		1006049	Bearing (7/16")	1	2
3		1020592	Spacer, Bearing (7/16 x 5/8 x 1-3/4")	1	1
4	E	1034168	Kit, Caster Hardware (Pair)	1	1
5			Washer, Steel (15/32 x 5/8 x 3/64")	1	4
6			Screw, Hex Head (7/16-20 x 3-1/4")	1	2
7			Locknut (7/16-20)	1	2
<p><b>NOTE:</b> A - 1228 Model Before 10/26/04. Includes items 2, 3, Rims and Tire            B - 1228 Model After 10/25/04. Includes items 2, 3, Rims and Tire            C - 1228HD Model. Includes items 2, 3, Rims and Tire            D - 1259 Model. Includes items 2, 3, Rims and Tire. Due to design change 10/1/03 #1122066 are sold in pairs and #1072014 is NLA. The deep profile caster tire has (2) tread grooves and round corners instead of (4) tread grooves w/ square corners.            E - Includes items 5-7. Kit quantity accommodates the right and left side of the wheelchair</p>					

# Rear Wheel and Hardware



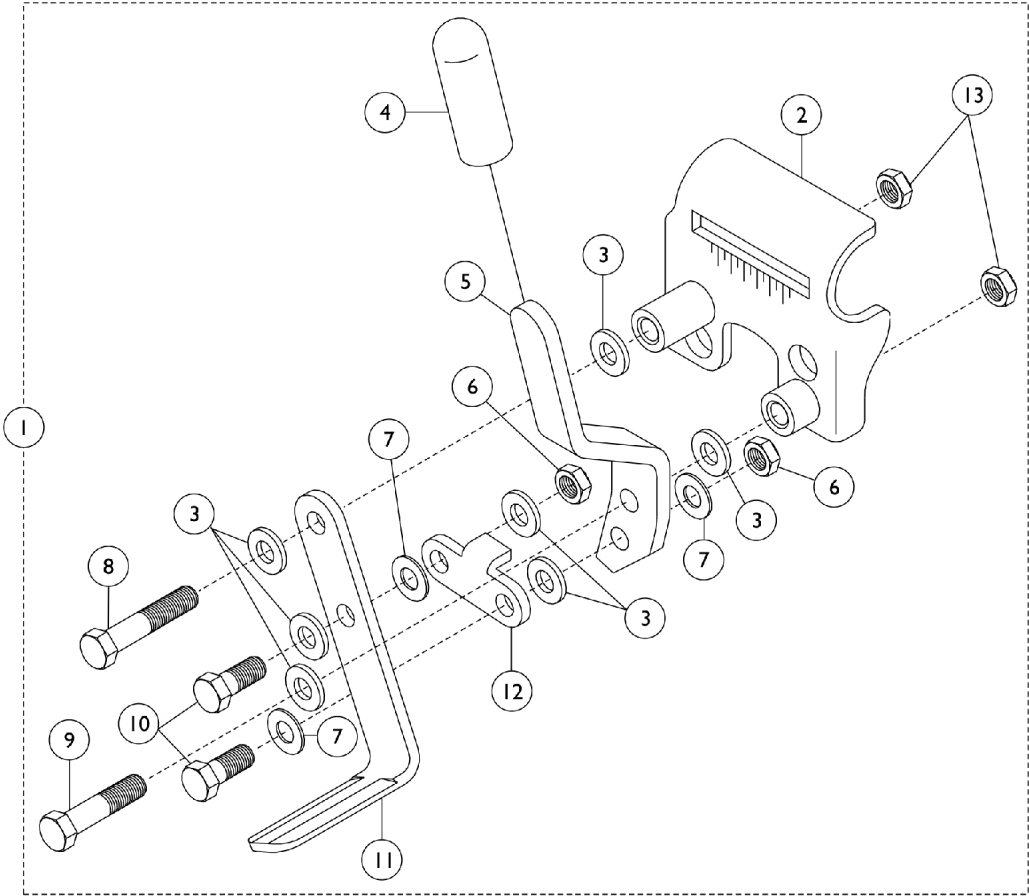


## Rear Wheel and Hardware

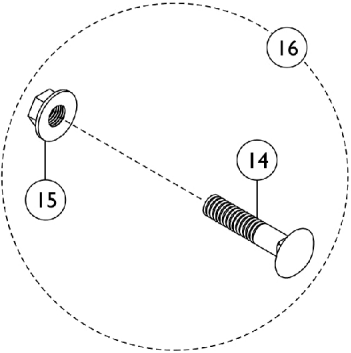
Item Number	Note	Part Number	Description	Quantity Per	
				Package	Assembly
1	A	1185261	Kit, Hardware, Rear Wheel	1	1
2			Screw, Hex Head (5/8-18 x 5-1/2")	1	1
3			NLA - Spacer	1	1
4			Washer (5/8 x 7/8 x 1/8")	1	2
5			Locknut (5/8-18)	1	1
6	C,G,B	1098816-NLA	NLA - Kit, Wheel Assembly, Composite Pneumatic w/ Flat Free Insert (20")	1	2
6	C,H,B	1194432	Kit, Wheel Assembly, Composite Pneumatic w/ Flat Free Insert (20")	1	2
6	C,D,E	1175516	Kit, Wheel Assembly, Spoked Urethane (24") (Pair)	2	1
6	C,D,F	1123894	Kit, Wheel Assembly, Spoked Urethane (24") (Pair)	2	1
<p>NOTE: A - Includes Items 2 - 4. Quantities are for one side of chair only and used for ALL rear wheel options..</p> <p>B - For 15-1/2" Seat to Floor height and 6" Casters.</p> <p>C - Wheel Assembly includes Tires, Bearings, Spacers, Handrim, and Handrim Hardware.</p> <p>D - For 17-1/2" or 19-1/2" Seat to Floor Height and 8" Casters.</p> <p>E - For 700 pound wheelchair capacity only.</p> <p>F - For 1000 pound wheelchair capacity only.</p> <p>G - To order Wheel Assembly Kit with Silver Powder Coating Aluminum Handrim order part number 1098816.</p> <p>H - To order Wheel Assembly Kit with Chrome Steel Handrim order part number 1194432.</p>					

# Link-Pivot Style Wheel Locks

Chrome Chairs - Before 9/1/05



Attaching Hardware



## Link-Pivot Style Wheel Locks Chrome Chairs - Before 9/1/05

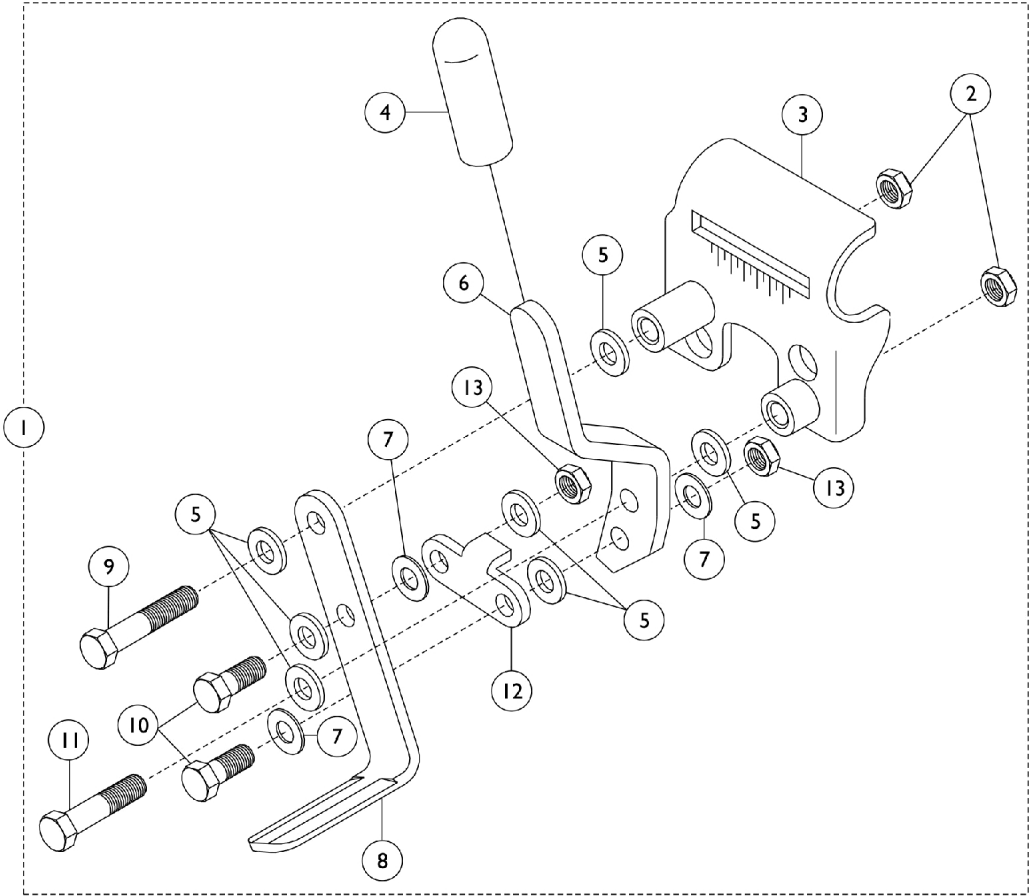
Item Number	Note	Part Number	Description	Quantity Per	
				Package	Assembly
1	C,E	1045853	Wheel Lock Assembly, Adult, Push To Lock, Black - Right	1	1
1	C,E,H	1045854	Wheel Lock Assembly, Adult, Push To Lock, Black - Left	1	1
1	D,F,H	1045849-NLA	NLA - Wheel Lock Assembly, Hemi, Pull to Lock, Black - Right	1	1
1	D,F	1045850-NLA	NLA - Wheel Lock Assembly, Hemi, Pull to Lock, Black - Left	1	1
1	D,F	1101454	Wheel Lock Assembly, Pull to Lock, Black - Right	1	1
1	D,F	1101455	Wheel Lock Assembly, Pull to Lock, Black - Left	1	1
2		1045847-NLA	NLA - Bracket, Mounting, Chrome - Right	1	1
2		1045848-NLA	NLA - Bracket, Mounting, Chrome - Left	1	1
3		1010398	Washer, Nylon (1/4 x 1/2 x 1/16")	1	7
4		47376X024	Tip, Rubber Wheel Lock Handle, Black	1	1
5	E	1016588-NLA	NLA - Handle, Push, Adult, Chrome - Right	1	1
5	E	1016589-NLA	NLA - Handle, Push, Adult, Chrome - Left	1	1
5	F	1016590-NLA	NLA - Handle, Pull, Hemi, Chrome - Right	1	1
5	F	1016591-NLA	NLA - Handle, Pull, Hemi, Chrome - Left	1	1
6		60320X000	Locknut (1/4-28)	1	1
7		40157X016-NLA	NLA - Washer (1/4 x 1/2 x 1/16")	1	1
8		16720X004	Screw, Hex Head (1/4-20 x 1-1/2")	1	1
9		1007017-NLA	NLA - Screw, Hex Head (1/4-20 x 1-1/4")	1	1
10		60274X012-NLA	NLA - Screw, Hex Head (1/4-28 x 3/4")	1	2
11		1015443-NLA	NLA - Shoe	1	1
12		1016592-NLA	NLA - Link, Chrome	1	1
13		60275X000	Locknut (1/4-20)	1	1
14		1011479	Bolt, Carriage (1/4-20 x 1-1/4")	1	1
15		16721X000	Locknut (1/4-20)	1	1
16	B	1034165-NLA	NLA - Hardware, Attaching Kit (Pair)	1	1
			Bolt, Carriage (1/4-20 x 1-1/4")	1	2
			Locknut (1/4-20)	1	2
16		1017677	Kit, Hardware, Wheel Lock (Pair)	1	1
			Bolt, Carriage (1/4-20 x 1-1/4")	1	2
			Nut, Hex Flang (1/4-20)	1	2
	A	00078X021	Instruction Sheet, Wheel Lock	1	1
	A,G	1058900	Wheel Lock Extension Handle Assembly, Black (8")	1	1

NOTE: A - Not Shown.  
 B - Includes Items 14-15. 1034165 in Zinc Finish is NLA. Use part number 1017677 in Black finish as a replacement.  
 C - Includes Items 2-13.  
 D - Includes Items 2-13  
 E - Adult.  
 F - Hemi/Super Hemi.  
 G - Includes: 1 each Extension Handle and Rubber Tip. Chrome is No Longer Available.  
 H - NLA. See part numbers 1101454 and 1101455 as replacements.

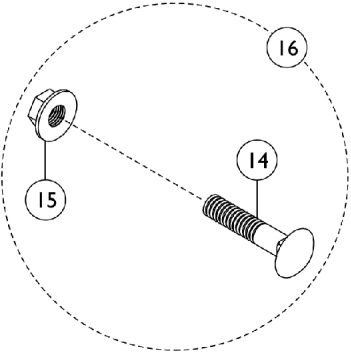
NOTE: The chrome finish is no longer available for chairs manufactured after 1/30/01.

# Link-Pivot Style Wheel Locks

Color Chairs - Before 9/1/05



Attaching Hardware

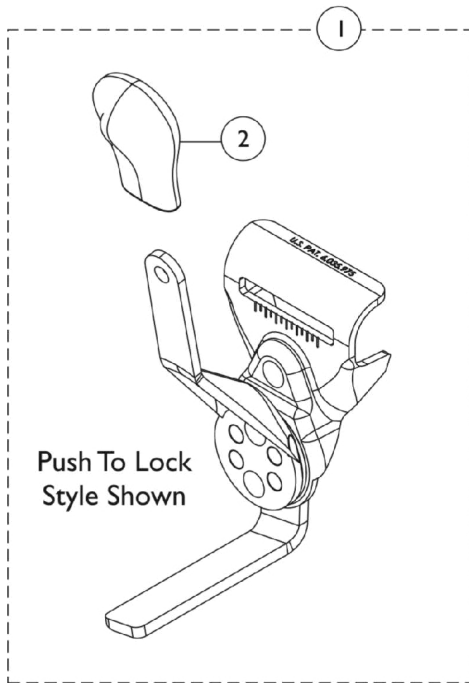
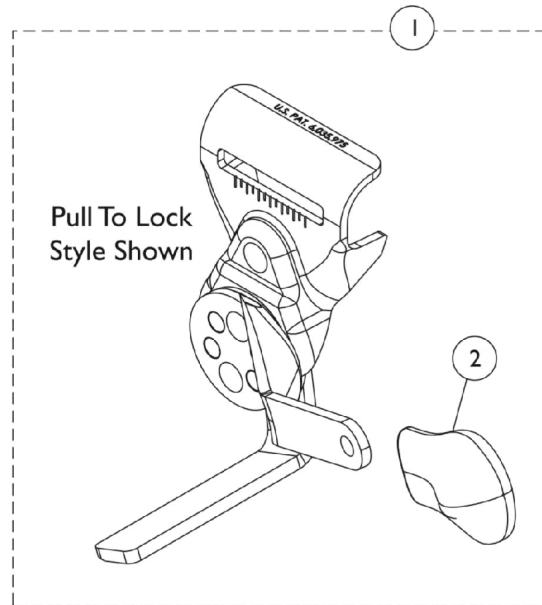
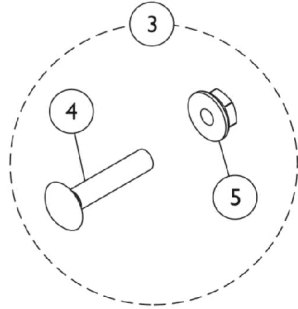


## Link-Pivot Style Wheel Locks Color Chairs - Before 9/1/05

Item Number	Note	Part Number	Description	Quantity Per	
				Package	Assembly
1	A,E	1101452	Wheel Lock Assembly, Push to Lock, Black - Right	1	1
1	A,E	1101453	Wheel Lock Assembly, Push to Lock, Black - Left	1	1
1	B,D	1101454	Wheel Lock Assembly, Pull to Lock, Black - Right	1	1
1	B,D	1101455	Wheel Lock Assembly, Pull to Lock, Black - Left	1	1
2		1025195	Locknut (1/4-20)	1	1
3		1053284	Bracket, Mounting, Black - Right	1	1
3		1053285	Bracket, Mounting, Black - Left	1	1
4		47376X024	Tip, Rubber Wheel Lock Handle, Black	1	1
5		1026033	Washer, Nylon (1/4 x 1/2 x 1/16")	1	7
6	D	1031780-NLA	NLA - Handle, Pull/ Lock, Black - Right	1	1
6	D	1031781-NLA	NLA - Handle, Pull/ Lock, Black - Left	1	1
6	E	1102134	Handle, Push/ Lock, Black - Right	1	1
6	E	1102135	Handle, Push/ Lock, Black - Left	1	1
7		1026103-NLA	NLA - Washer, Nylon (1/4 x 1/2 x 1/32")	1	3
8		1102133	Shoe, Wheel Lock	1	1
9		1030949	Screw, Hex Head (1/4-20 x 1-1/2")	1	1
10		1028687	Screw, Hex Head (1/4-28 x 3/4")	1	2
11		1021406	Screw, Hex Head (1/4-20 x 1-1/4")	1	1
12		1102132-NLA	NLA - Link, Black	1	1
13		1025765	Locknut (1/4-28)	1	1
14		1021402	Bolt, Carriage (1/4-20 x 1-1/4")	1	2
15		1021403	Nut, Hex Flang (1/4-20)	1	1
16	C	1017677	Kit, Hardware, Wheel Lock (Pair)	1	1
			Bolt, Carriage (1/4-20 x 1-1/4")	1	2
			Nut, Hex Flang (1/4-20)	1	2
	G	00078X021	Instruction Sheet, Wheel Lock	1	1
	F,G	1058899	Wheel Lock Extension Handle Assembly, Black (6")	1	1

NOTE: A - Includes items 2 - 13.  
 B - Includes items 2 - 13.  
 C - Includes items 14 - 15.  
 D - Pull to Lock for Hemi/Super Hemi.  
 E - Push to Lock for Adult.  
 F - Includes (1 ea.) of Extension Handle and Rubber Tip.  
 G - Not Shown.

# Wheel Lock - Disk Style - Between 8/15/03 - 8/31/05



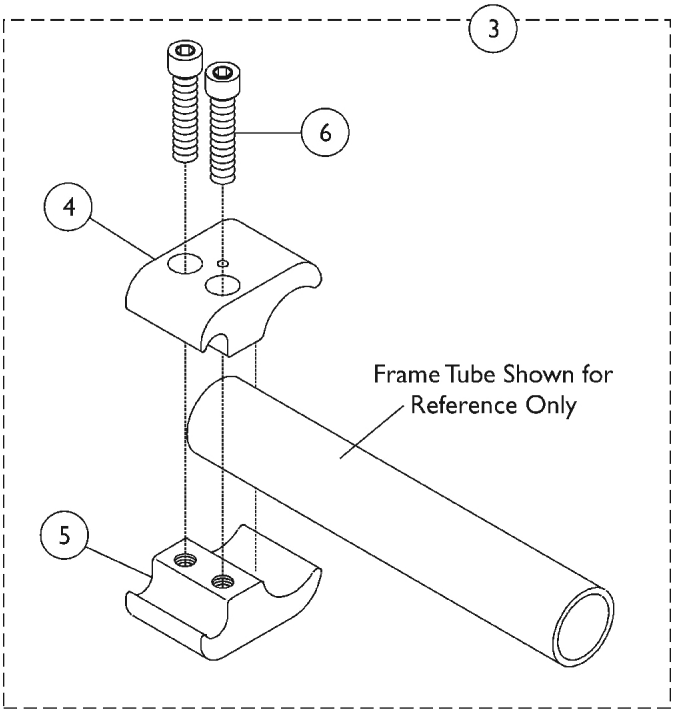
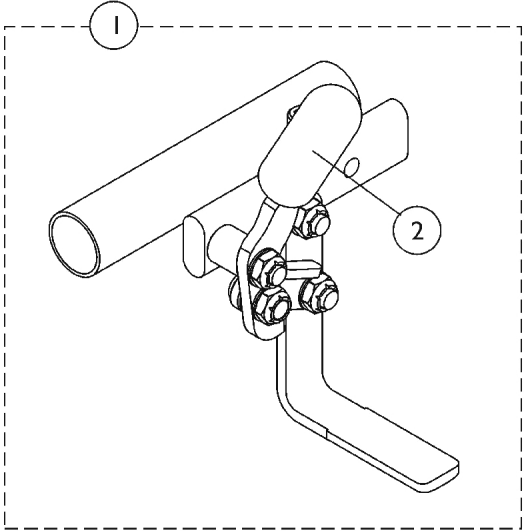
## Wheel Lock - Disk Style - Between 8/15/03 - 8/31/05

Item Number	Note	Part Number	Description	Quantity Per	
				Package	Assembly
1	C,C1	1110225-NLA	NLA - Wheel Lock Assembly, Disk Push to Lock, Black - Right	1	1
1	C,C1	1110226-NLA	NLA - Wheel Lock Assembly, Disk Push to Lock, Black - Left	1	1
1	C,C1	1110227-NLA	NLA - Wheel Lock Assembly, Disk Pull to Lock, Black - Right	1	1
1	C,C1	1110228-NLA	NLA - Wheel Lock Assembly, Disk Pull to Lock, Black - Left	1	1
2		1110160-NLA	NLA - Tip, Plastic Wheel Lock Handle, Black	1	1
3	A	1017677	Kit, Hardware, Wheel Lock (Pair)	1	1
4			Bolt, Carriage (1/4-20 x 1-1/4")	1	2
5			Nut, Hex Flang (1/4-20)	1	2
	B	1038599	Wheel Lock Extension Handle Assembly, Black (6") (Pair)	2	1
	D	1101452	Wheel Lock Assembly, Push to Lock, Black - Right	1	1
	D	1101453	Wheel Lock Assembly, Push to Lock, Black - Left	1	1
	D	1101454	Wheel Lock Assembly, Pull to Lock, Black - Right	1	1
	D	1101455	Wheel Lock Assembly, Pull to Lock, Black - Left	1	1

NOTE: A - Includes items 3-4.  
 B - Not shown. Use for Disk-Style Wheel Locks.  
 C - Disk Style Wheel Locks are no longer available as a Service Part. Must convert to a Link-Pivot Style Wheel Lock. Order the Right and Left side to match. Use part #'s 1101452 and 1101453 (Push to Lock) or 1101454 and 1101455 (Pull to Lock) listed.  
 C1 - Can use existing attaching hardware. Additional Link-Pivot Style Wheel Lock information can be found under category titled "Wheel Locks - Link-Pivot Style - Color Chairs (Before 9/1/05)".  
 D - No Shown. Link-Pivot Style Wheel Lock.

# Clamp-On Wheel Locks

After 9/1/05

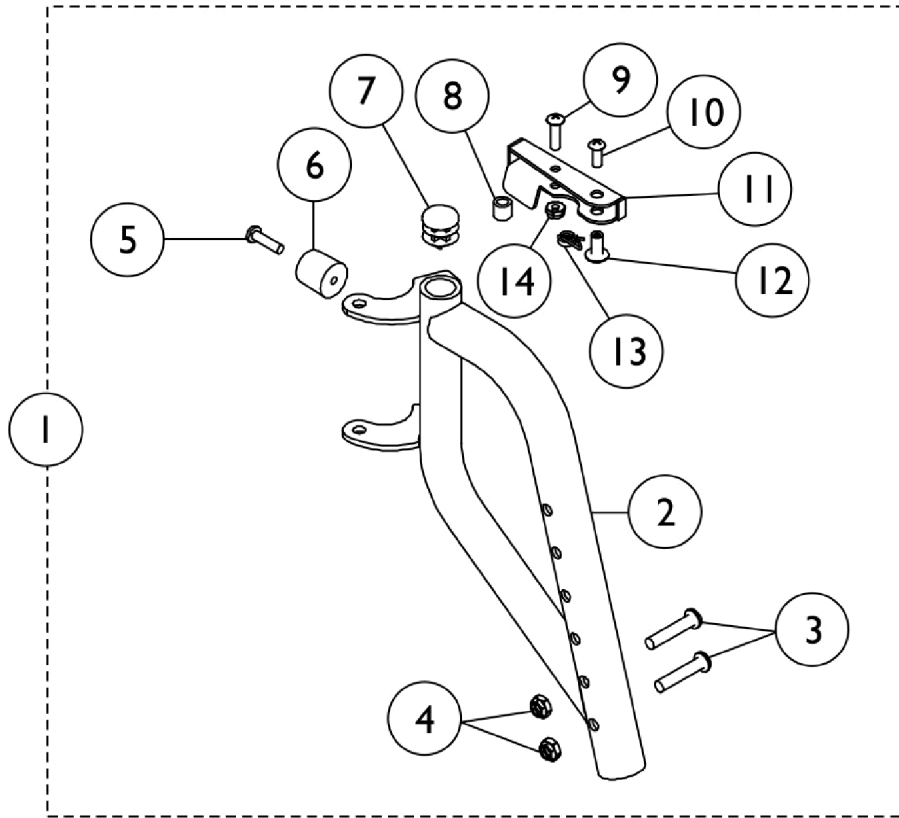




## Clamp-On Wheel Locks After 9/1/05

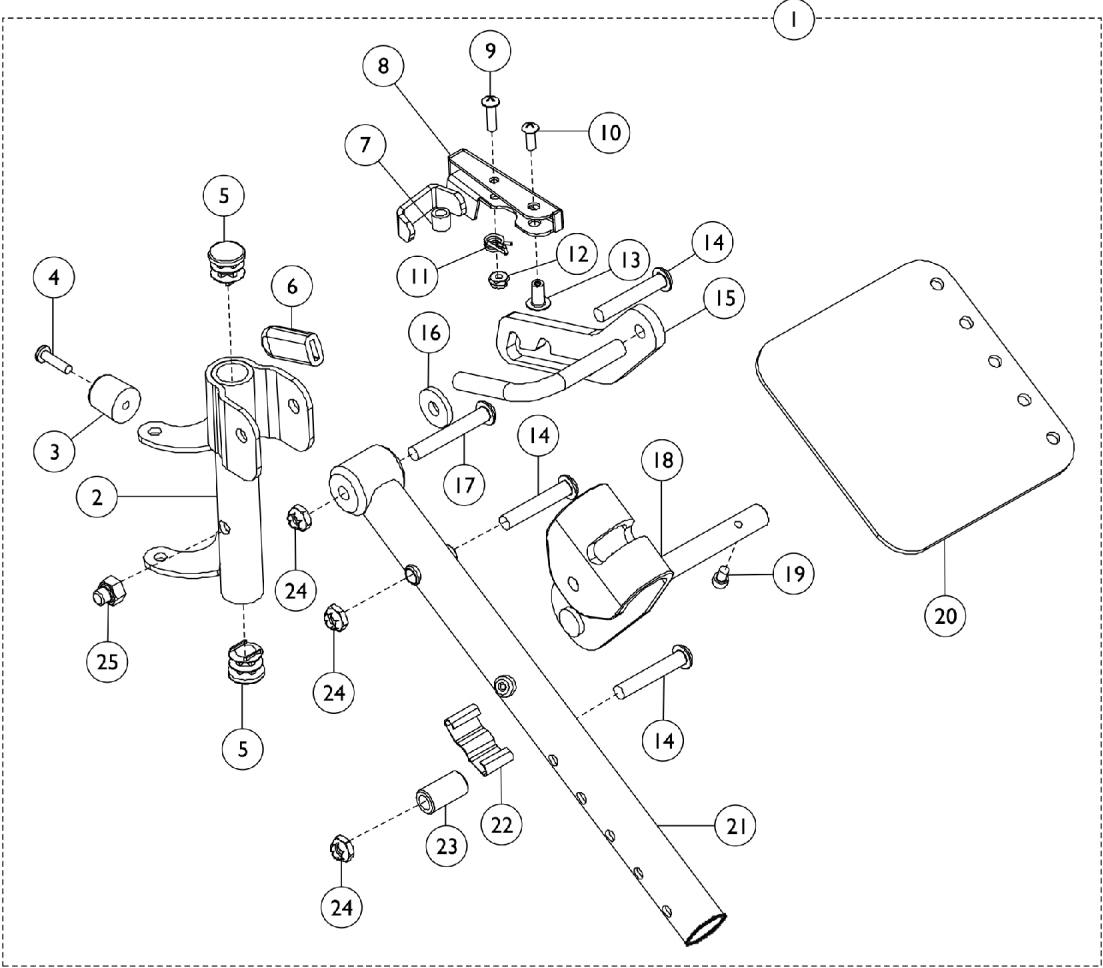
Item Number	Note	Part Number	Description	Quantity Per	
				Package	Assembly
1		1049539	Wheel Lock, Clamp On, Pull to Lock - Right	1	1
1		1049540	Wheel Lock, Clamp On, Pull to Lock - Left	1	1
1		1047703	Wheel Lock, High Mount, Push to Lock - Right	1	1
1		1047704	Wheel Lock, High Mount, Push to Lock - Left	1	1
2		47376X024	Tip, Rubber Wheel Lock Handle, Black	1	1
3	A,B	1039343	Kit, Clamp Wheel Lock Hardware (Pair)	1	1
4			NLA - Clamp, Wheel Lock, Non-Threaded (7/8")	1	2
5			Clamp, Wheel Lock, Threaded (7/8")	1	2
6			Screw, Allen Head (1/4-20 x 1")	1	4
NOTE: A - Includes items 4-6. B - In order to assemble, the non-threaded clamp is above the seat rail or frame and the threaded is below the seat rail or frame.					

# Footrest Support Assembly - TZ33A



Item Number	Note	Part Number	Description	Quantity Per	
				Package	Assembly
1	A,B	8881101462	Footrest Support Assembly, Color - Right	1	1
1	A,B	8881101463	Footrest Support Assembly, Color - Left	1	1
NOTE: A - Specify frame color when ordering. See category titled, "Frame Finishes, Packaging and Upholstery Colors." B - Includes Items 2-14. Individual components are non-serviceable					

# Legrest Support Assembly - TZ34A

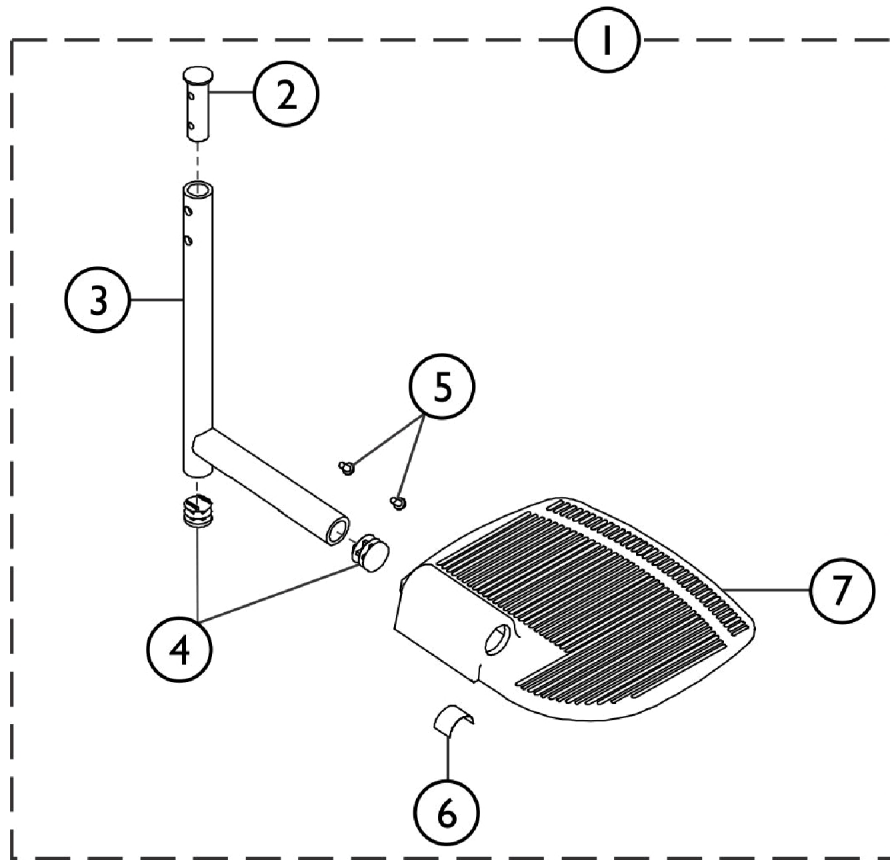


## Legrest Support Assembly - TZ34A

Item Number	Note	Part Number	Description	Quantity Per	
				Package	Assembly
1	B	1102164-NLA	NLA - Legrest Support Assembly, Chrome - Right	1	1
1	B	1102165-NLA	NLA - Legrest Support Assembly, Chrome - Left	1	1
1	B,F	8881182007	Legrest Support Assembly, Color - Right	1	1
1	B,F	8881182008	Legrest Support Assembly, Color - Left	1	1
2		1100818-NLA	NLA - Tube, Legrest Support, Chrome - Right	1	1
2		1100819-NLA	NLA - Tube, Legrest Support, Chrome - Left	1	1
3		1022874	Bumper	1	1
4		1030979	Screw, Phillips Pan Head Tap (#10-32 x 3/4")	1	1
5		1027097	Plug Button, Black (3/4")	1	2
6	D	1006490-NLA	NLA - Tip, Plastic, Black	1	1
7		47565X057	Bushing (7/32 x 3/8 x 11/32")	1	1
8	G	1101442-NLA	NLA - Handle, Release, Chrome - Right	1	1
8	G	1101443-NLA	NLA - Handle, Release, Chrome - Left	1	1
9		40163X008	Screw, Phillips Pan Head (#10-32 x 11/16")	1	1
10		40163X002	Screw, Phillips Round Head (#10-32 x 1/2")	1	1
11		1008935	Spring, Release - Right	1	1
11		1008936	Spring, Release - Left	1	1
12		60279X003	Locknut (#10-32)	1	1
13		67005X000	Rivnut (#10-32)	1	1
14		1102760	Screw, Truss Head (5/16-24 x 1-3/4")	1	3
15	E	1102761-NLA	NLA - Lockplate - Right	1	1
15	E	1102762-NLA	NLA - Lockplate - Left	1	1
16		1016301	Washer, Nylon (5/16 x 7/8 x 1/8")	1	1
17		1104210	Screw, Socket Button Head (5/16-24 x 2")	1	1
18		1102226-NLA	NLA - Bracket, Calf Pad Mounting, Chrome	1	1
18	F	8881182002	Bracket, Calf Pad Mounting, Color	1	1
19		1102759	Screw, Socket Head (#10-32 x 3/8")	1	1
20		1100758-NLA	NLA - Plate, Calf Pad Mounting, Chrome	1	1
20	F	8881182003	Plate, Calf Pad Mounting, Color	1	1
21	G	1102763-NLA	NLA - Tube, Elevating Support, Chrome - Right	1	1
21	G	1102764-NLA	NLA - Tube, Elevating Support, Chrome - Left	1	1
22		48823X008	Spring, Leaf	1	1
23		1195731	Bushing (5/16 x 35/64 x 1")	1	1
24		60264X001	Locknut (5/16-24)	1	1
25		1060057	Nut, Cap (5/16-24)	1	1
	A,C	8881193555	Calf Pad Assembly, Black Base (Pair)	2	1
	A,C	1104304	Calf Pad Hardware	1	1

NOTE: A - Not Shown.  
 B - Includes Items 2-25.  
 C - See category titled, "Calf Pads" for drawing illustration.  
 D - Tip must be heat treated in order to install.  
 E - No longer available as a service part. There is no replacement.  
 F - Specify 71P Silver Vein frame finish when ordering.  
 G - Item #2, 8 and 21 are not available for sale on color frame models. See item #1 as a replacement.

# Pivot Slide Tube with Footplate - TZ33A & TZ34A



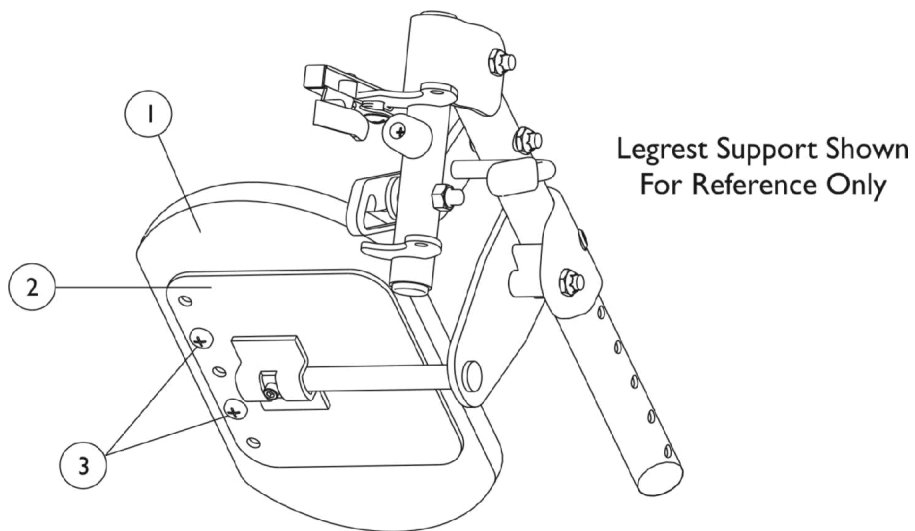
SSM\_042A

## Pivot Slide Tube with Footplate - TZ33A & TZ34A

Item Number	Note	Part Number	Description	Quantity Per	
				Package	Assembly
1	A	1101440	Pivot/Slide Tube w/ Extra Large Footplate Assembly, Chrome - Right	1	1
1	A	1101441	Pivot/Slide Tube w/ Extra Large Footplate Assembly, Chrome - Left	1	1
1	A	1100824	Pivot/Slide Tube w/ Footplate Assembly, Black - Right	1	1
1	A	1100825	Pivot/Slide Tube w/ Footplate Assembly, Black - Left	1	1
2		1098801	Insert, Support, Legrest	1	1
3		1100823	Tube, Pivot/Slide, Black	1	1
3		1101478	Tube, Pivot/Slide, Chrome	1	1
4		1027097	Plug Button, Black (3/4")	1	2
5		40120X001	Screw, Phillips Pan Head (#8-32 x 3/8")	1	2
6	B,C	1036123	Spring, Leaf	1	3
7		1103012	Footplate, Aluminum, Extra Large - Right	1	1
7		1103013	Footplate, Aluminum, Extra Large - Left	1	1

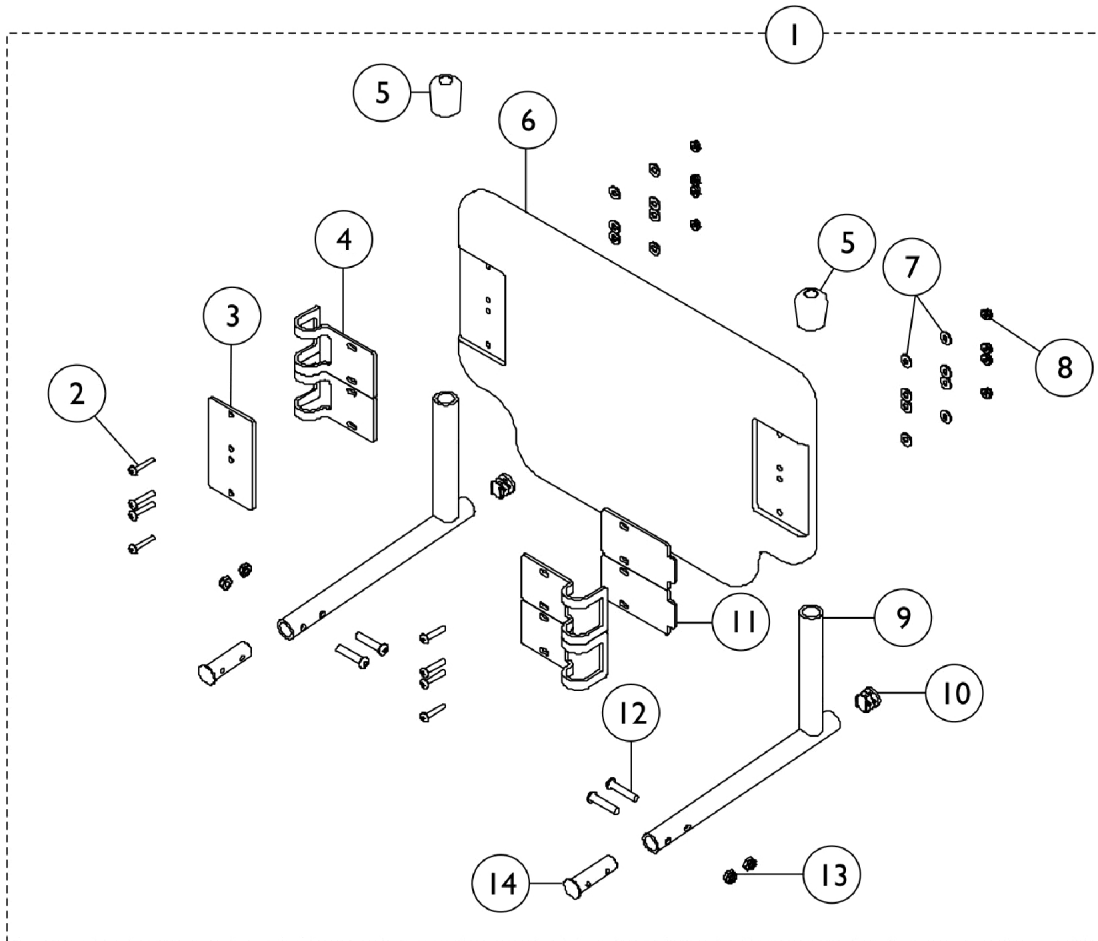
NOTE: A - Includes items 2-7.  
 B - Use one or more leaf springs per assembly as required such that footplate may be moved by hand to the up-right position and remain in place.  
 C - Use with Extra Large Footplates.

# Calf Pads



Item Number	Note	Part Number	Description	Quantity Per	
				Package	Assembly
1	A	8881193555	Calf Pad Assembly, Black Base (Pair)	2	1
2		1100758-NLA	NLA - Plate, Calf Pad Mounting, Chrome	1	1
2	B	8881182003	Plate, Calf Pad Mounting, Color	1	1
3		1104304	Calf Pad Hardware	1	1
NOTE: A - Specify upholstery color when ordering. See category titled, " Frame Finishes, Packaging, and Upholstery Colors." B - Specify 71P Silver Vein frame finish when ordering.					

# One Piece Footboard - T1263





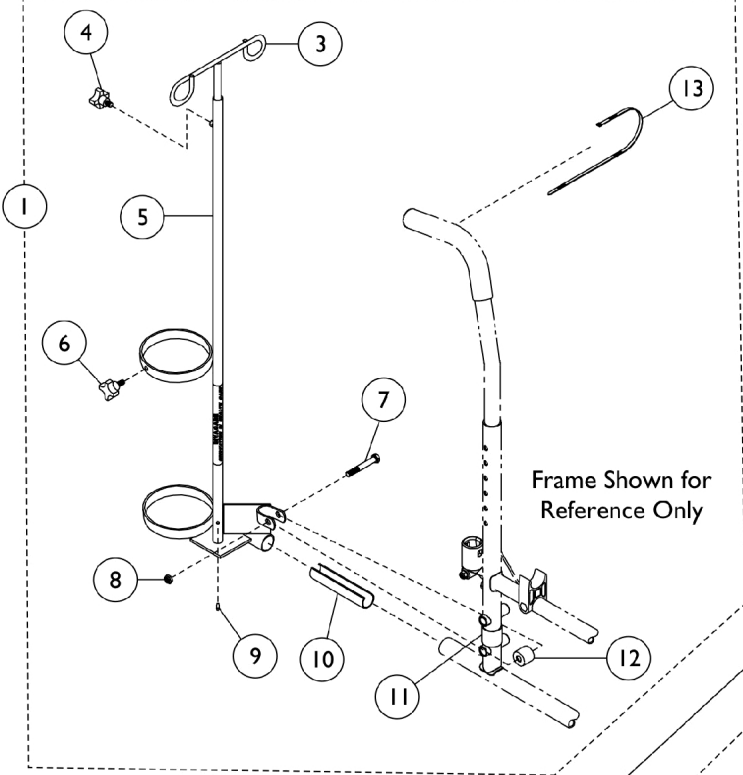
## One Piece Footboard - T1263

Item Number	Note	Part Number	Description	Quantity Per	
				Package	Assembly
1	A	1102205	One Piece Footboard Assembly (20" W)	1	1
1	A	1102206	One Piece Footboard Assembly (22" W)	1	1
1	A	1102207	One Piece Footboard Assembly (24" W)	1	1
1	A	1102208	One Piece Footboard Assembly (26" W)	1	1
1	A	1102209	One Piece Footboard Assembly (28" W)	1	1
1	A	1102210	One Piece Footboard Assembly (30" W)	1	1
2		1005383	Screw, Socket Button Head (#10-32 x 1")	1	8
3		1108599	Plate, Lifter, Black	1	1
4		47352X004	Clamp, Black	1	4
5		1016346	Cap, End, Tube, Black (7/8")	1	2
6		1102200	Footboard (20" W)	1	1
6		1102201	Footboard (22" W)	1	1
6		1102202	Footboard (24" W)	1	1
6		1102203	Footboard (26" W)	1	1
6		1102204	Footboard (28" W)	1	1
6		1102138	Footboard (30" W)	1	1
7		1013218	Washer (#10 Flat)	1	16
8		60279X003	Locknut (#10-32)	1	8
9		1101478	Tube, Pivot/Slide, Chrome	1	2
10		1027097	Plug Button, Black (3/4")	1	2
11		47352X003	Lock, Pad Plate, Legrest, Black	1	2
12		1008432	Screw, Socket Button Head (1/4-20 x 1-1/4")	1	4
13		60275X000	Locknut (1/4-20)	1	4
14		1098801	Insert, Support, Legrest	1	2
	B	1104905	Instruction Sheet, 1-Piece Footboard	1	1

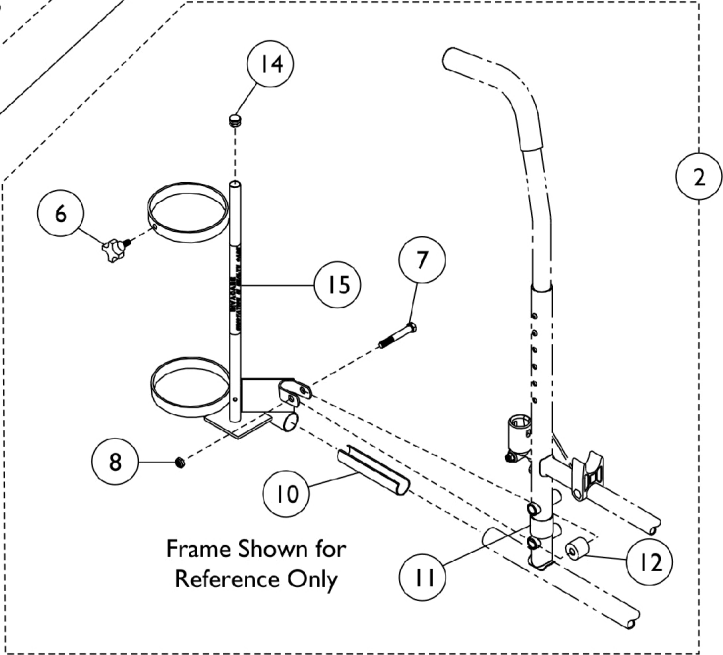
NOTE: A - Includes Items 2-14, Instruction Sheet and Cartons.  
 B - Not Shown.

# I.V. Oxygen Holder - T1496, Oxygen Holder -T1497

## Model T1496



## Model T1497

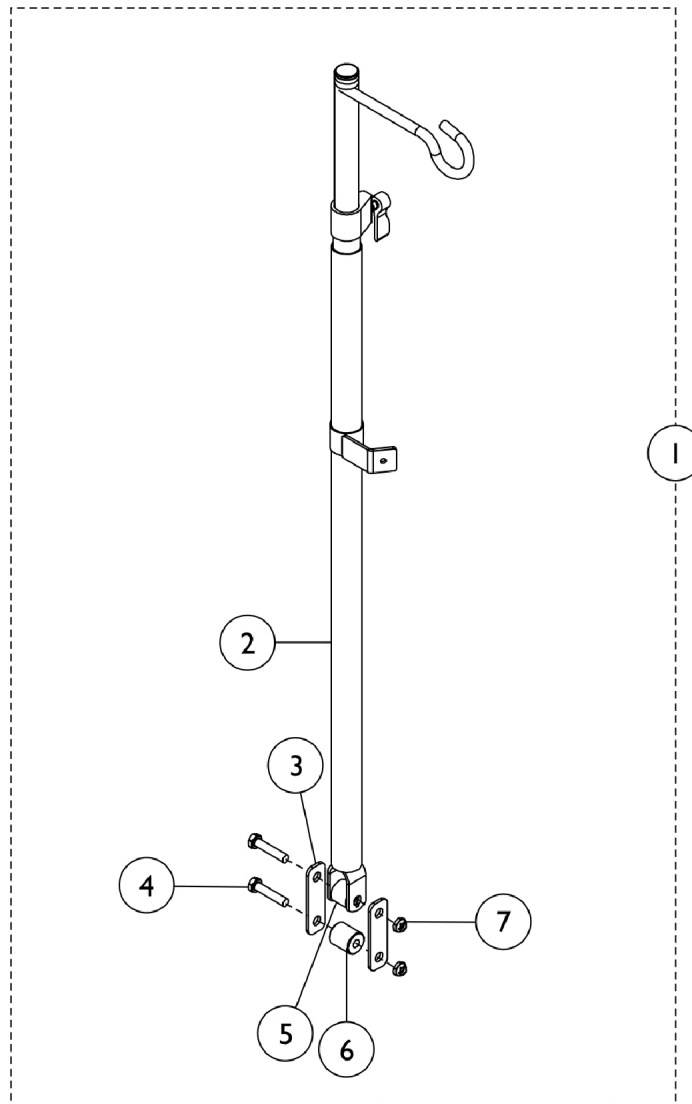


## I.V. Oxygen Holder - T1496, Oxygen Holder -T1497

Item Number	Note	Part Number	Description	Quantity Per	
				Package	Assembly
1	B	1098827	Holder, I.V./Oxygen - T1496	1	1
2	C	1098829	Holder, Oxygen - T1497	1	1
3		1027468	Rod, I.V.	1	1
4		1027683	Knob, Adjustment, Black	1	1
5		1070898	Base, I.V./Oxygen	1	1
6		1027684	Knob, Clamping, Black	1	1
7		11239X000-NLA	NLA - Screw, Hex Head (5/16-24 x 1-3/4")	1	1
8		60264X001	Locknut (5/16-24)	1	1
9		1027789	Pin, Roll	1	1
10		1023560	Insert, Guide Tube, Black (3-3/4" Long)	1	1
11		1023618	Insert, Guide Tube, Black (1" Long)	1	1
12		1102577	Spacer, Black (5/16 x 11/16 x 15/16")	1	1
12		1017843-NLA	NLA - Spacer, Chrome (5/16 x 11/16 x 15/16")	1	1
13		98007X005	Tie Wrap (11-1/2" L)	1	1
14		1017672	Plug Button, Grey (1/2")	1	1
15		1070900-NLA	NLA - Base, Oxygen Holder	1	1
	A,D	1027931	Instruction Sheet, I.V./Oxygen Holder	1	1
	A,E	1027930	Instruction Sheet, Oxygen Holder	1	1
	A	1095497	Decal, Invacare Logo (1.6)	1	1
NOTE: A - Not Shown. B - Includes Items 1 and 3-12. C - Includes Items 4, 6-8, 10-12 and 14-15. D - Used with Model T1496. E - Used with Model T1497.					

# I.V. Rod - Telescoping - T1322

Not for use on Super Hemi Chairs

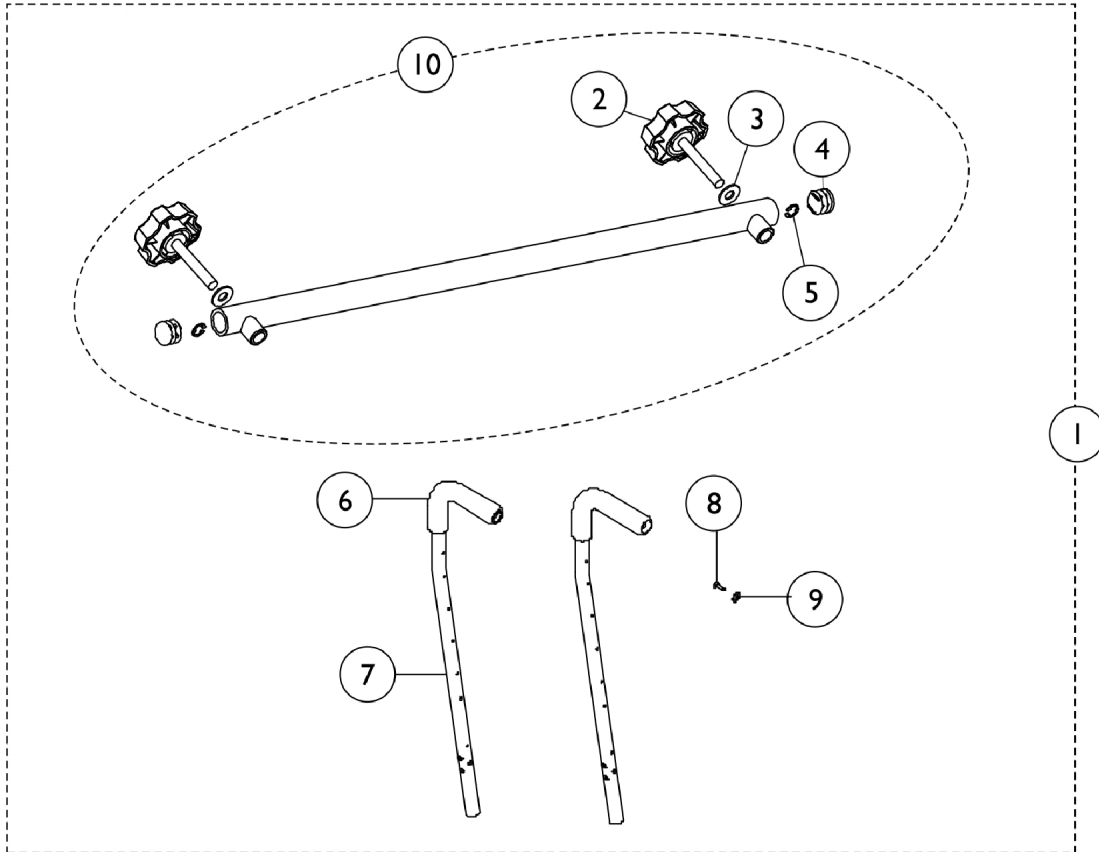


## I.V. Rod - Telescoping - T1322

### Not for use on Super Hemi Chairs

Item Number	Note	Part Number	Description	Quantity Per	
				Package	Assembly
1	B	1102945-NLA	NLA - Rod, I.V., Telescoping	1	1
2		1042127	I.V. Rod and Bracket Assembly	1	1
3		1102765	Plate, Adapter	1	2
4		11239X000-NLA	NLA - Screw, Hex Head (5/16-24 x 1-3/4")	1	2
5		47324X011	Bushing, Pivot (5/16 x 7/8 x 3/4")	1	1
6		1102931	Spacer, Bracket (5/16 x 7/8 x 7/8")	1	1
7		60264X001	Locknut (5/16-24)	1	1
	A	1104899-NLA	NLA - Instruction Sheet, I.V. Rod	1	1
NOTE: A - Not Shown. B - Includes Items 2-7.					

# Push Bar - T1483



## Push Bar - T1483

Item Number	Note	Part Number	Description	Quantity Per	
				Package	Assembly
1	A	1104118	Kit, Push Bar Assembly with Back Canes (20" W)	1	1
1	A	1104119	Kit, Push Bar Assembly with Back Canes (22" W)	1	1
1	A	1104120	Kit, Push Bar Assembly with Back Canes (24" W)	1	1
1	A	1104121	Kit, Push Bar Assembly with Back Canes (26" W)	1	1
1	A	1104122	Kit, Push Bar Assembly with Back Canes (28" W)	1	1
1	A	1104123	Kit, Push Bar Assembly with Back Canes (30" W)	1	1
2		1102297	Knob, Plastic with Stud, Black	1	2
3		1012371-NLA	NLA - Washer, Nylon (3/8 x 7/8 x 1/16")	1	2
4		1027095	Plug Button, Black (7/8")	1	2
5		1086930-NLA	NLA - Ring, Retaining (3/8")	1	2
6		1032245	Grip, Foam Hand (6-7/8" L)	1	2
7		1102224	Cane, Back with Insert, Black	1	2
8		1054687	Screw, Phillips Oval Head (#12-14 x 7/8")	1	25
9		1025707	Washer (1/4 x 3/4 x 3/32")	1	1
10	B	1102217	Push Bar Assembly (20" W)	1	1
10	B	1102218	Push Bar Assembly (22" W)	1	1
10	B	1102219	Push Bar Assembly (24" W)	1	1
10	B	1102220	Push Bar Assembly (26" W)	1	1
10	B	1102221	Push Bar Assembly (28" W)	1	1
10	B	1102222	Push Bar Assembly (30" W)	1	1
	C	1100904	Instruction Sheet	1	1

NOTE: A - This kit is for use on chairs without an existing push bar. The kit includes Items 2-10 and an instruction sheet.  
 B - Includes Items 2-5.  
 C - Not shown.

# Miscellaneous Accessories

## Crutch & Cane Carrier, Wheel Lock Extension

Part Number	Description	Package Quantity
1034204	1035L - Crutch & Cane Carrier	1
1058899	Wheel Lock Extension Handle Assembly (6"), Black	1
1148705	Non-Folding Device Assembly (20 - 30" W)	1

## T1358 - Rear Anti-Tippers

Part Number	Description	Package Quantity
1104957	Anti-Tippers, (15-1/2" - 17-1/2")	2
1104958	Anti-Tippers, (19-1/2")	2



# Miscellaneous Accessories

## T1515 - Seat Positioning Straps

Part Number	Description	Package Quantity
1104959 See Note(s) A	20" W Auto Position Strap	1
1104960 See Note(s) A	22" W Auto Position Strap	1
1104961 See Note(s) A	24" W Auto Position Strap	1
1104962 See Note(s) A	26" W Auto Position Strap	1
1104963 See Note(s) A	28" W Auto Position Strap	1
1104964 See Note(s) A	30" W Auto Position Strap	1

NOTE: A - Includes an instruction sheet.

## 1337 - Calf Strap

Part Number	Description	Package Quantity
1102745	20" W Calf Strap	1
1102746	22" W Calf Strap	1
1102747	24" W Calf Strap	1
1102748	26" W Calf Strap	1
1102749	28" W Calf Strap	1
1102750	30" W Calf Strap	1

# Miscellaneous Accessories

## 1346 - Heel Loops

Part Number	Description	Package Quantity
1035917-NLA	Heel Loop w/o Hardware - Medium (Pair)	2
1035926	Hardware, Heel Loops (Pair)	2

## T1337 - Heel Strap

(For One Piece Footboard)

Part Number	Description	Package Quantity
1102745	20" W Calf Strap	1
1102746	22" W Calf Strap	1
1102747	24" W Calf Strap	1
1102748	26" W Calf Strap	1
1102749	28" W Calf Strap	1
1102750	30" W Calf Strap	1

# Miscellaneous Accessories

## Solid Seat Inserts T9120

Chair Width x Depth	Upholstery - Black U67 Vinyl Only
20 x 18"	8881102882
22 x 18"	8881102883
24 x 18"	8881102168
26 x 18"	8881102169
28 x 18"	8881102170
30 x 18"	8881102171
20 x 20"	8881102172
22 x 20"	8881102173
24 x 20"	8881102174
26 x 20"	8881102175
28 x 20"	8881102176
30 x 20"	8881102177

## Solid Back Inserts T9130

Chair Width	Upholstery - Black U67 Vinyl Only
20" Wide	8881102178-NLA
22" Wide	8881102179-NLA
24" Wide	8881102180-NLA
26" Wide	8881102181-NLA
28" Wide	8881102182
30" Wide	8881102183-NLA

**Invacare Corporation**

[www.invacare.com](http://www.invacare.com)



**Yes, you can.**

One Invacare Way  
Elyria, Oh USA  
44036-2125  
800-333-6900

Technical Support  
800-832-4707  
Florida Technical Support  
407-321-5630

Customer Service  
800-333-6900

© 2022 Invacare Corporation. All rights reserved. Republication, duplication or modification in whole or in part is prohibited without prior written permission from Invacare. Trademarks are identified by ™ and ®. All trademarks are owned by or licensed to Invacare Corporation or its subsidiaries unless otherwise noted. (Revised 03/22/22)

Form No. 00-103