

Rabbit

Powered Wheelchair



Yes, you can.™

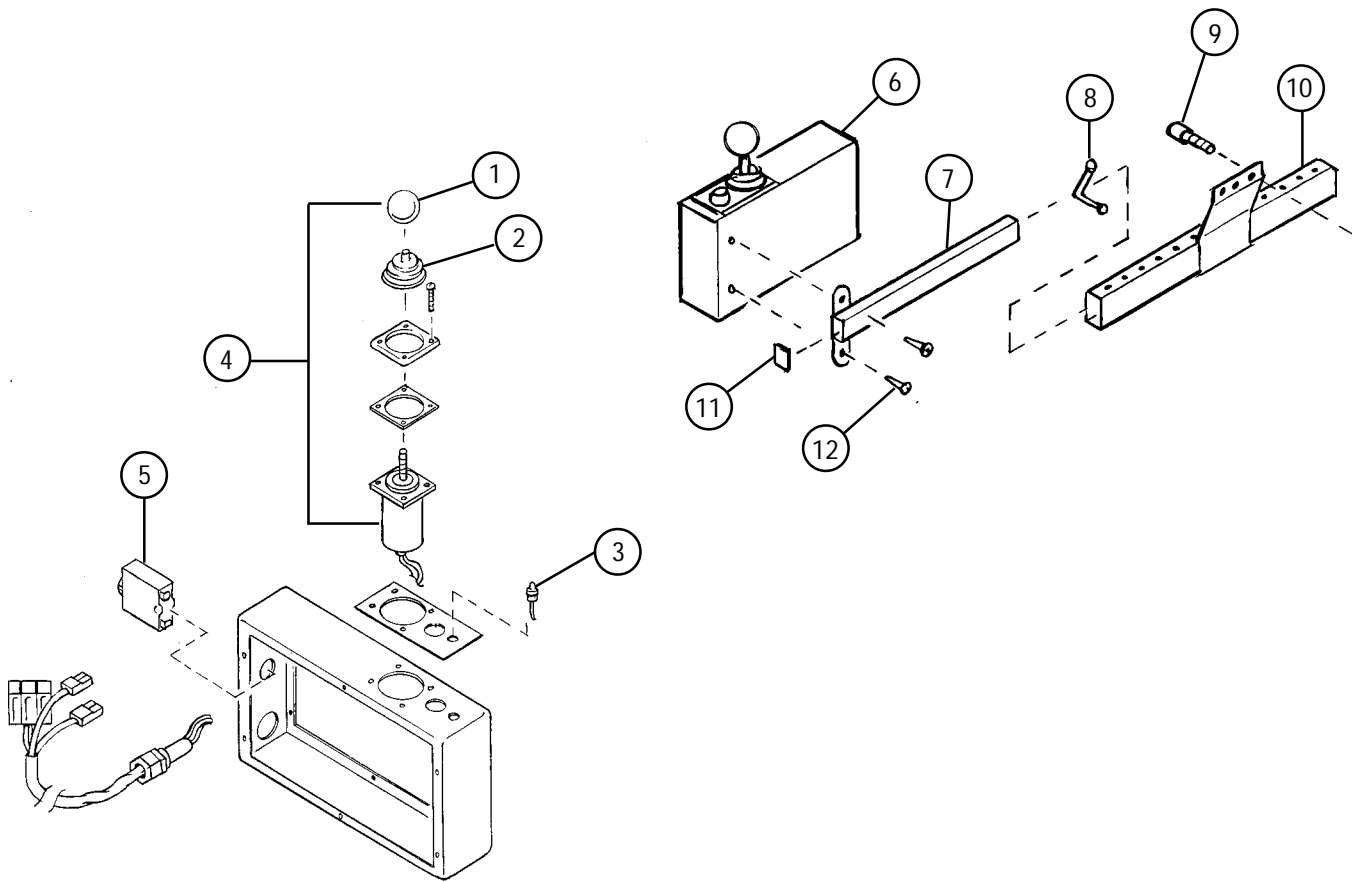
TABLE OF CONTENTS

Update 8/01A

	<u>Page Number</u>
Armrest Assembly	3
Back Canes and Frame Hardware	6
Back Upholstery	12
Battery Box Assembly	13
Casters, Front	9
Clutch Assembly	10
Crossbrace Assembly	5
Footrests	15
Forks	9
Joystick Assembly	2
Legrests	17
Motor and Gearbox Assembly	10
Seat Upholstery	12
Side Frames	4
Side Frame Hardware	6
Wheels, Rear	8

©2001 Invacare Corporation. Elyria, Ohio. Invacare, is a registered trademark of Invacare Corporation, and Yes, you can, is a trademark of Invacare Corporation. Bussman is a registered trademark of Cooper Industries. Dynamic is a registered trademark of Dynamic Controls Limited.

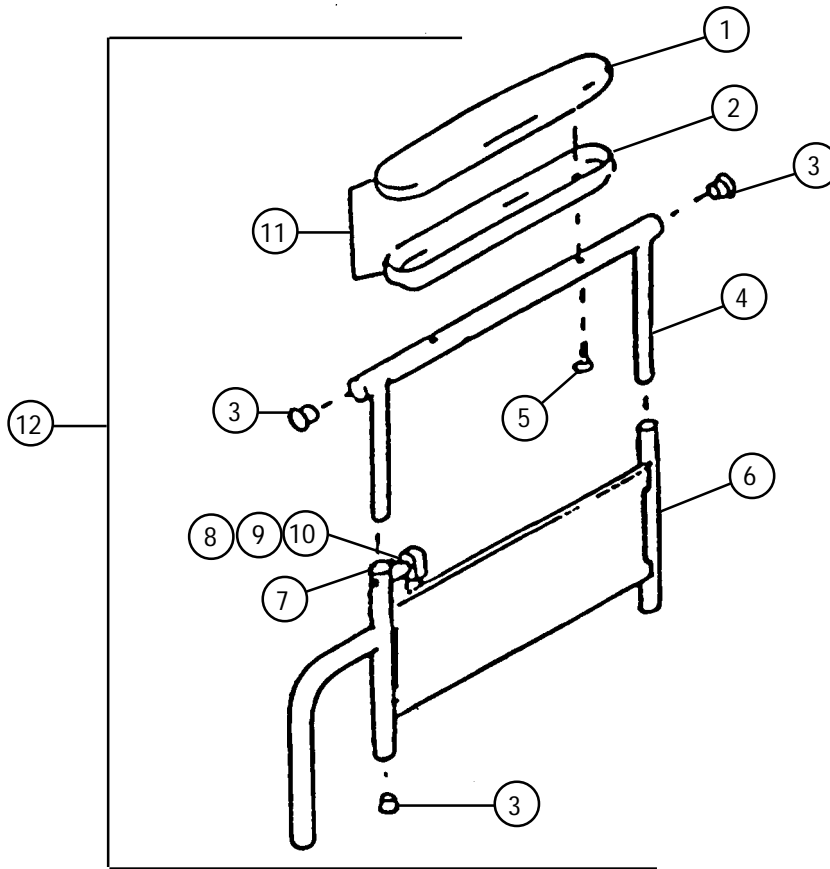
JOYSTICK ASSEMBLY



Item Number	Part Number	Description	Package Quantity
1	1006191	Joystick Ball	1
2	50000X364	Boot, Rubber	1
3	1012742	On - Off Power Switch	1
4	1032696	Inductive Joystick	1
5	1010501	40 Amp Circuit Breaker	1
6	1004401 NLA	Joystick/Controller	1
7	05502X070 NLA	Mounting Assembly	1
8	40188X007	Double End Snap Button	1
9	1027268	Screw, Hex Head Cap (1/4- 20 x 1")	1
10	05502X069 NLA	Support Assembly	1
11	15680X009 NLA	Plug Button	1
12	10413X006 NLA	Screw	1

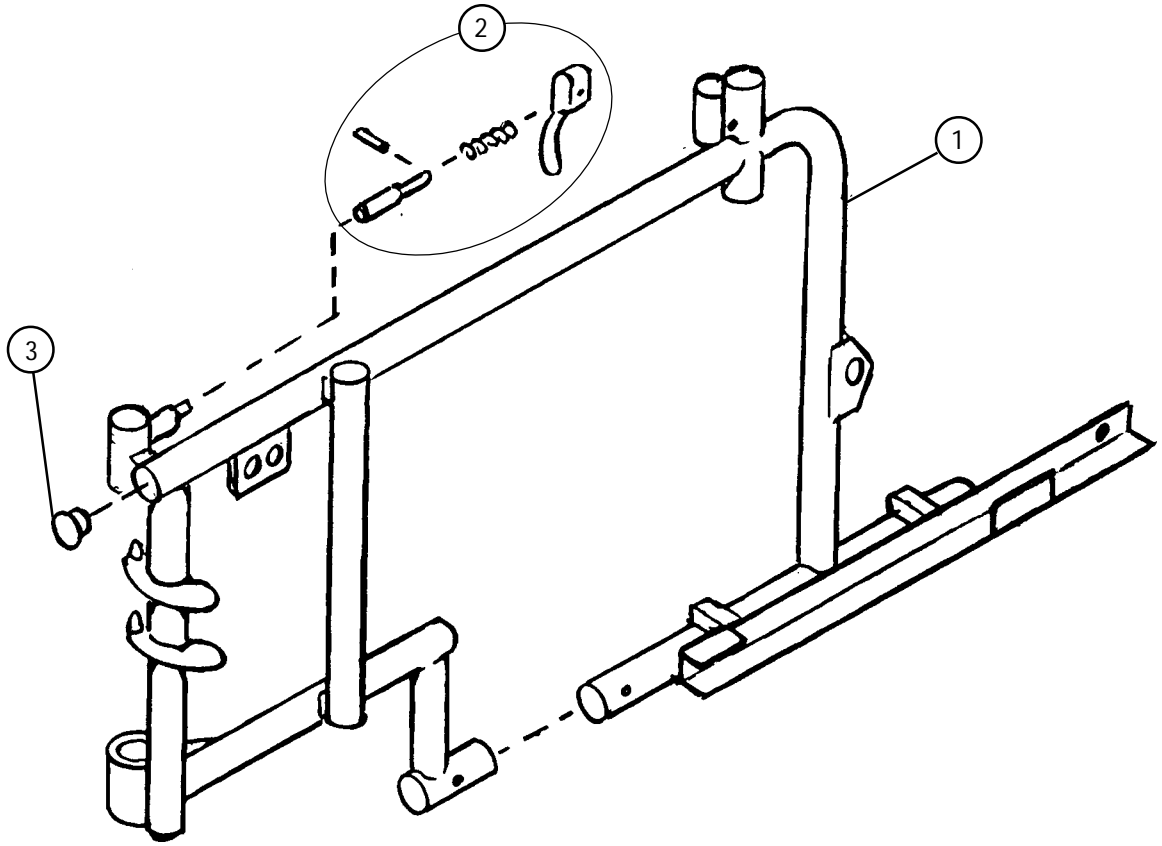
ARMREST ASSEMBLY

Update 01/02A



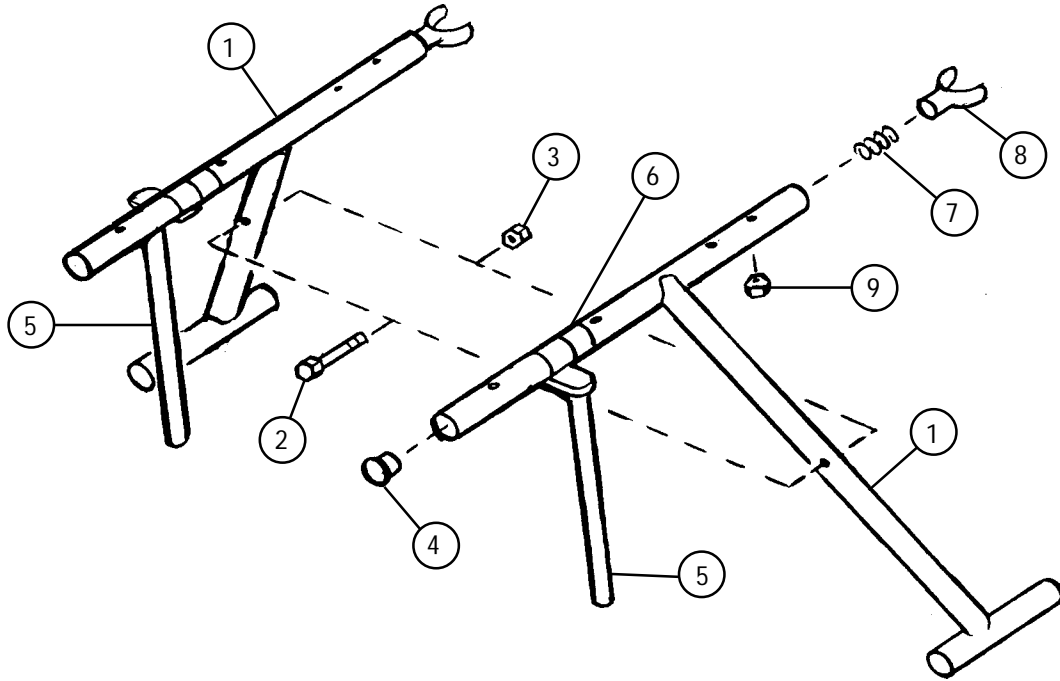
Item Number	Part Number	Description	Package Quantity
1	4008483NLA	Pad Only Full Length	1
	4008480NLA	Desk Length	1
2	4008777NLA	Base Cup Full Length	1
	4008776NLA	Desk Length	1
3	1027095	Plug Button, Black (7/8")	1
4	04702X089	Arm Tube Full Length	1
	1057734	Desk Length with Plug Buttons	1
5	7930361	Screw, Round Head (10-32 x 1-1/8")	25
6	4005724NLA	Lower Arm Right	1
	4005725NLA	Left	1
7	04747X034NLA	Arm Latch Right	1
	04747X035NLA	Left	1
8	47471X074	Spring, Arm Latch	1
9	40187X002	Roll Pin, Arm Latch (5/64 x 1/2")	1
10	47471X068	Pin, Arm Latch	1
11	1011812	Armrest Assembly, Grey Base, Full Length (14" L x 2" W)	1
	1011809	Desk Length (9" L x 2" W)	1
12	4005722NLA	Assembly Arm - Full Length Right	1
	4005723NLA	Left	1
	4005720NLA	Assembly Arm - Desk Length Right	1
	4005721NLA	Left	1

SIDE FRAMES



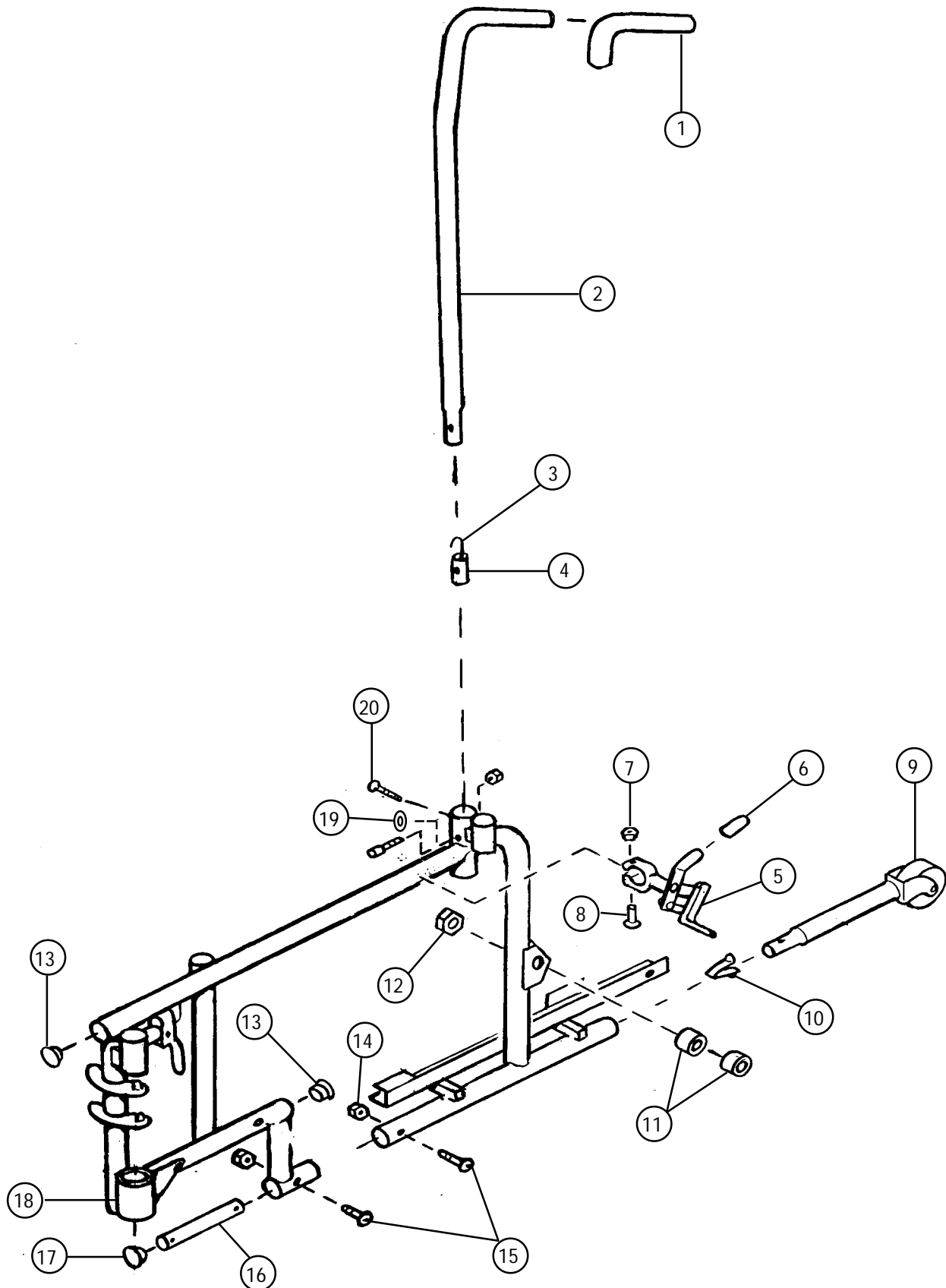
Item Number	Part Number	Description	Package Quantity	
1	1006537	Side Frame Chrome Right	1	
	1006538	Side Frame Chrome Left	1	
	1006539	Side Frame Black Right	1	
	1006540	Side Frame Black Left	1	
	1039961 NLA	Side Frame Color Right	1	
	1039962 NLA	Side Frame Color Left	1	
	2	1090768	Lock Handle Replacement Kit w/ Rivets (Pair)	2
	3	1027095	Plug Button, Black (7/8")	1

CROSSBRACES



Item Number	Part Number	Description	Package Quantity
1	1006529NLA	Crossbrace Rabbit 14" Right	1
	1006530NLA	Left	1
	1006533NLA	Rabbit 16" Right	1
	1006534NLA	Left	1
2	40317X003	Screw Hex Head Cap (5/16 - 24 x 3")	1
3	60264X001	Locknut (5/16 - 24")	1
4	1003195NLA	Plug Button (7/8")	1
5	04555X007	Seat Guide Tube	1
6	47397X022	Spacer (7/8 x 1 x 1- 7/8")	1
7	47236X001	Spring	1
8	04723X009NLA	Seat Guide	1
9	7930365	Locknut (10-32")	25

BACK CANE and SIDE FRAME HARDWARE

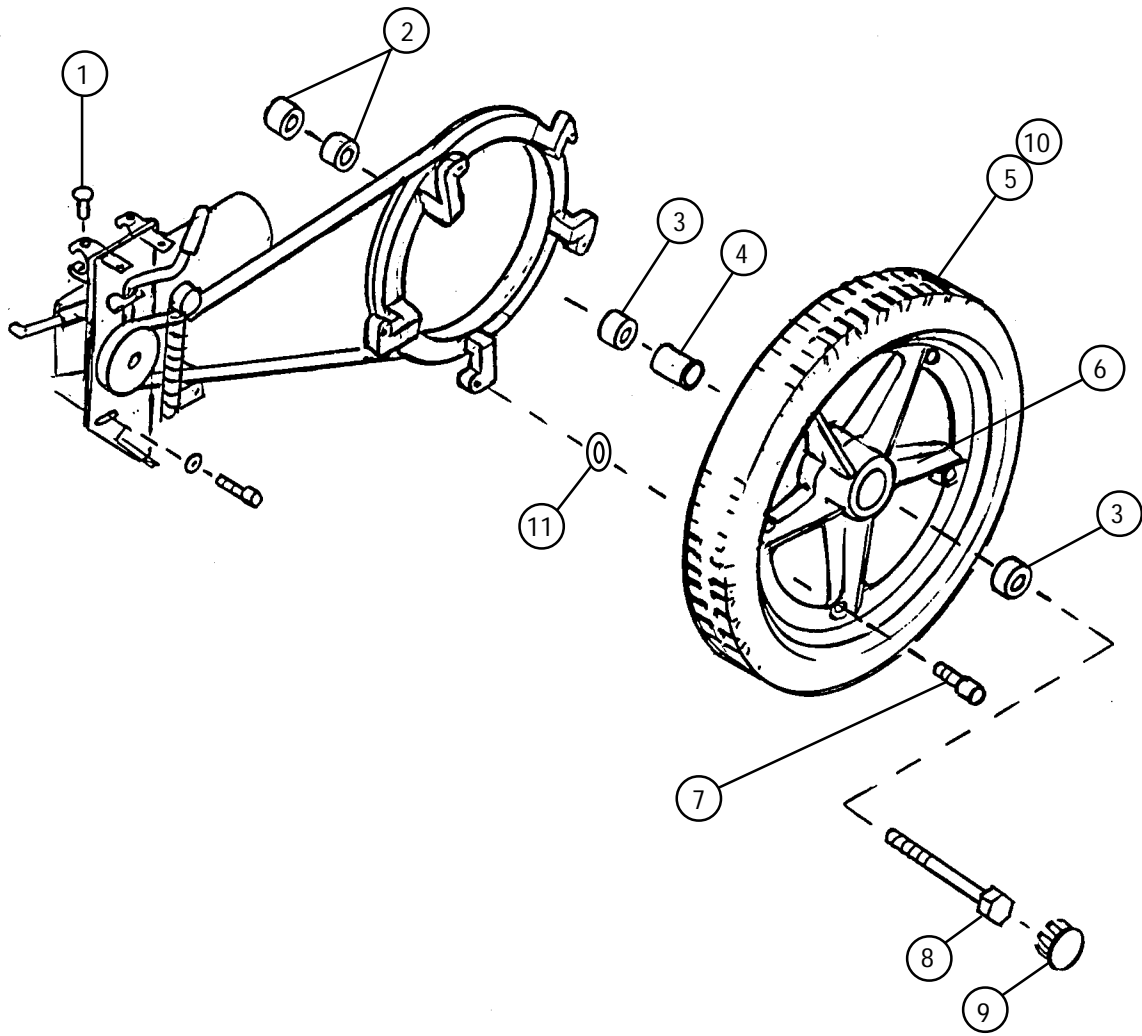


BACK CANE and SIDE FRAME HARDWARE

(Continued)

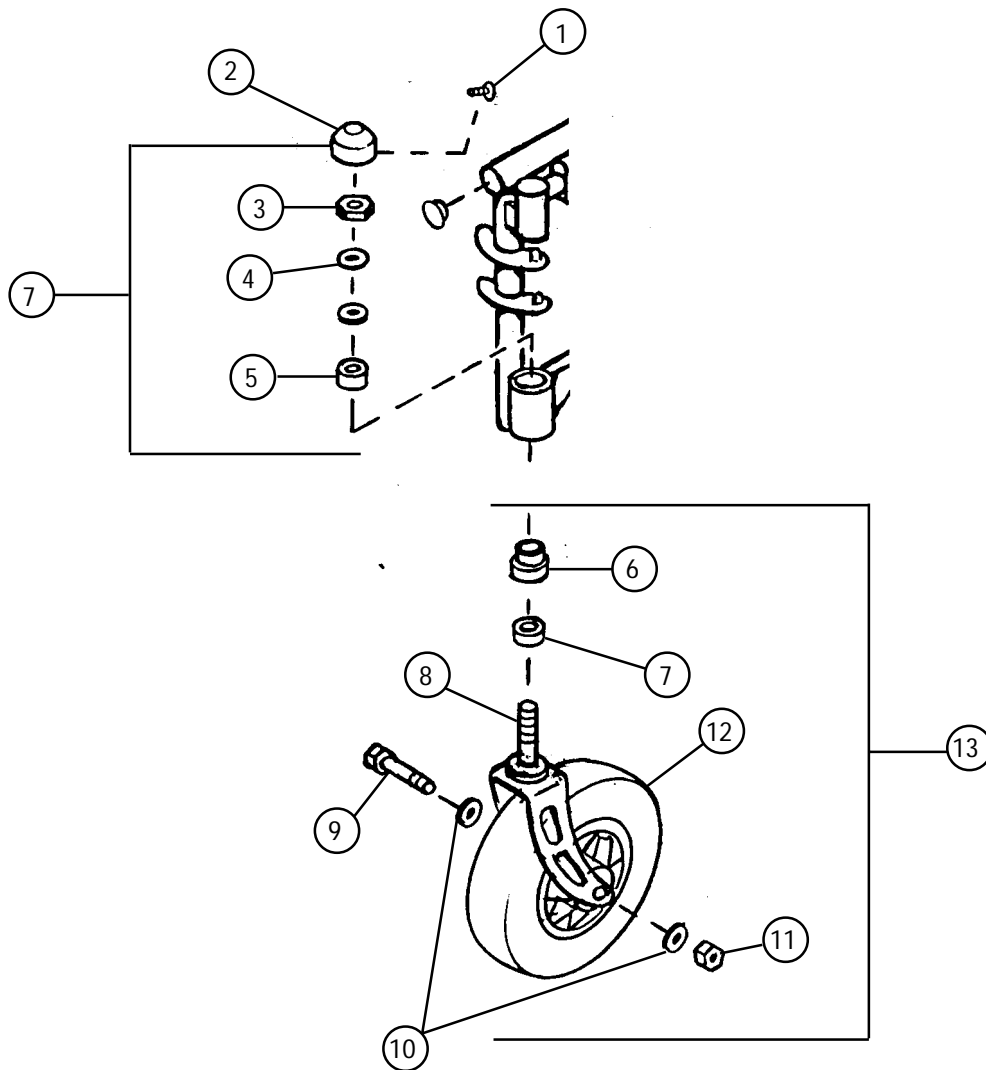
Item Number	Part Number	Description	Package Quantity
1	1006229	Handgrip, 8" Black Foam	1
2	1006508	Black Cane 14" High	1
	1006494	16" High	1
3	40188X002	Spring	1
4	1005834	Insert	1
5	1008445	Wheel Lock Right	1
	1008446	Left	1
6	47376X024	Rubber Tip (Black)	1
7	60264X001	Locknut (5/16 - 24")	1
8	11232X009	Bolt, Lug (5/16-24 x 1-3/8")	1
9	1036900	Anti Tipper (Pair)	2
10	40188X007	Double Snap Button	1
11	47183X021	Spacer (5/8 x 7/8 x 3/4")	1
12	60030X000	Locknut (5/8 - 18")	1
13	1027095	Plug Button (7/8")	1
14	7930365	Locknut (10-32")	25
15	7930361	Screw, Phillips Head (10 - 32 x 1-1/8")	25
16	1002088	Insert Tube	1
17	15680X011	Plug Button, Black (7/8")	1
18	1001843	Head Tube Cap	1
19	10513X000	Washer (5/16")	1
20	40163X013	Screw, Phillips Head (10 - 32 x 1/2")	1

WHEEL - REAR



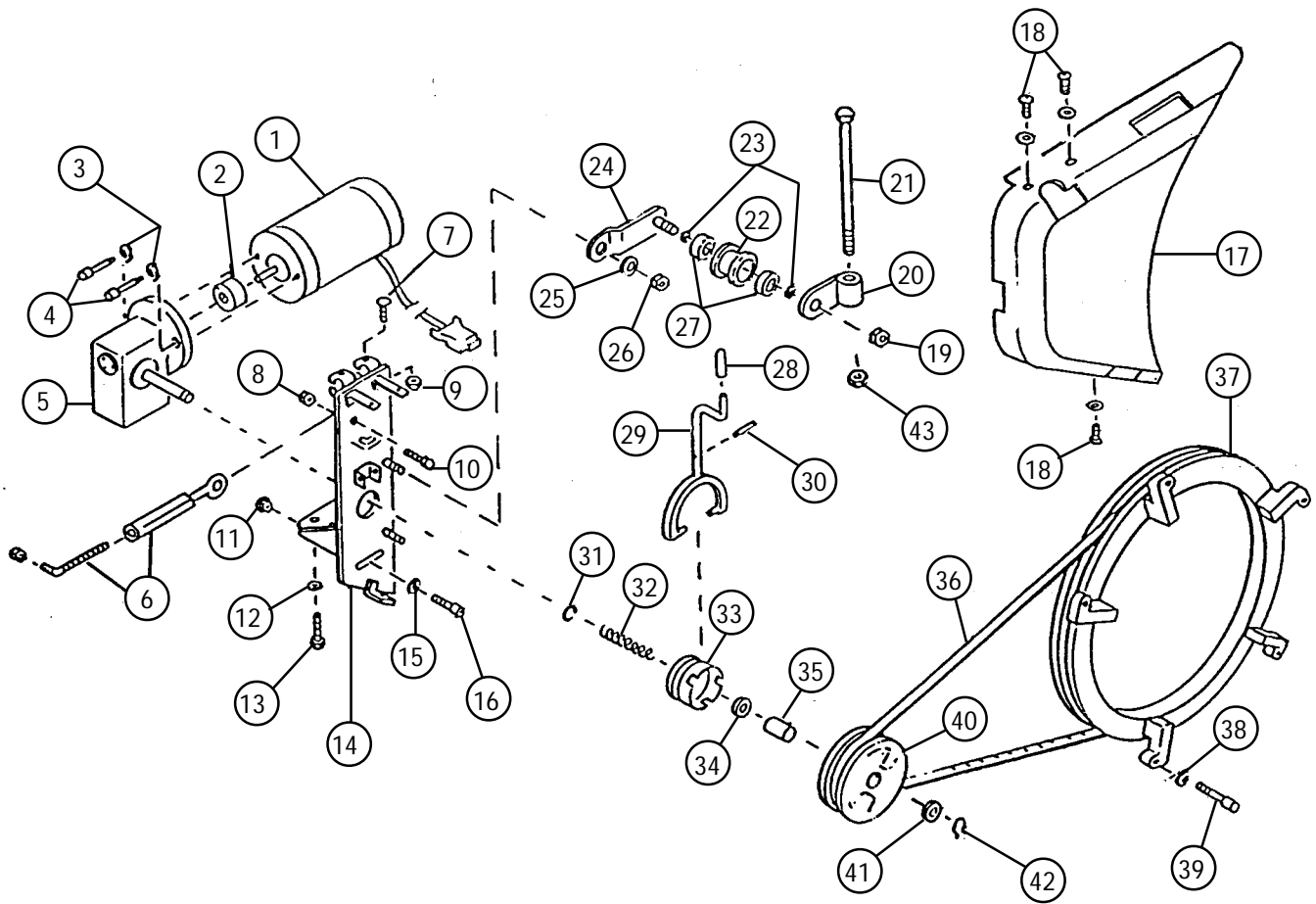
Item Number	Part Number	Description	Package Quantity
1	11232X009	Bolt, Lug (5/16 - 24 x 1- 3/8")	1
2	47183X021	Spacer (5/8 x 7/8 x 3/4")	1
3	40117X006	Bearing	1
4	47183X027	Spacer (7/8")	1
5	1005777	16" Wheel Assembly	1
	1005775	Tire, Grey Pneumatic 16"	1
	1005776	Tube 16"	1
6	1007070	Wheel Only	1
7	1005810NLA	Bolt (1/4 - 20 x 3/8")	1
8	47203X010NLA	Screw, Cap (5/8 - 18 x 5")	1
9	1005772	Hub Cap	1
10	14469NLA	Flat Free Inserts 16"	1
11	1020551	Washer, Flat (1/4 x 3/8 x 1/16")	1

FRONT FORK and CASTER ASSEMBLY



Item Number	Part Number	Description	Package Quantity
1	40163X013	Screw, Phillips Head (#10 - 32 x 1/2")	1
2	40186X031	Caster Cap	1
3	7930352	Locknut (7/16 x 20")	25
4	7930356	Nylon Washer (15/32 - 23/32 - 1/16")	25
5	04268X021	Sleeve Top and Bearing	1
6	04268X020	Sleeve Bottom and Bearing	1
7	04540X273	Bearing Assembly	1
8	04540X247	Fork 8"	1
9	57667X007	Cap Screw (7/16 - 20 x 3 - 1/4")	1
10	10141X009	Washer (7/16")	1
11	7930352	Locknut (7/16 - 20)	25
12	1071666	Wheel Assembly (Pair)	2
13	1007410	Fork & Bearing Assembly (wheel not included)	1

MOTOR, GEARBOX and CLUTCH ASSEMBLY Update 11/03A



Item Number	Part Number	Description	Package Quantity
1	05501X056	Motor and Gear Box, Rabbit Right	1
	05501X057	Motor and Gear Box, Rabbit Left	1
	50000X243	Motor, Rabbit Right	1
	50000X244	Motor, Rabbit Left	1
	†005812NLA	Motor and Clutch Assembly, Rabbit Right	1
	†005811NLA	Motor and Clutch Assembly, Rabbit Left	1
2	⊛ 50000X007	Coupling and Cup	1
3	10141X012	Lock Washer #10	1
4	†021300NLA	Socket Head Cap Screw (10 - 32 x 1")	1
5	1048545	Gearbox, Right	1
	1048546	Gearbox, Left	1

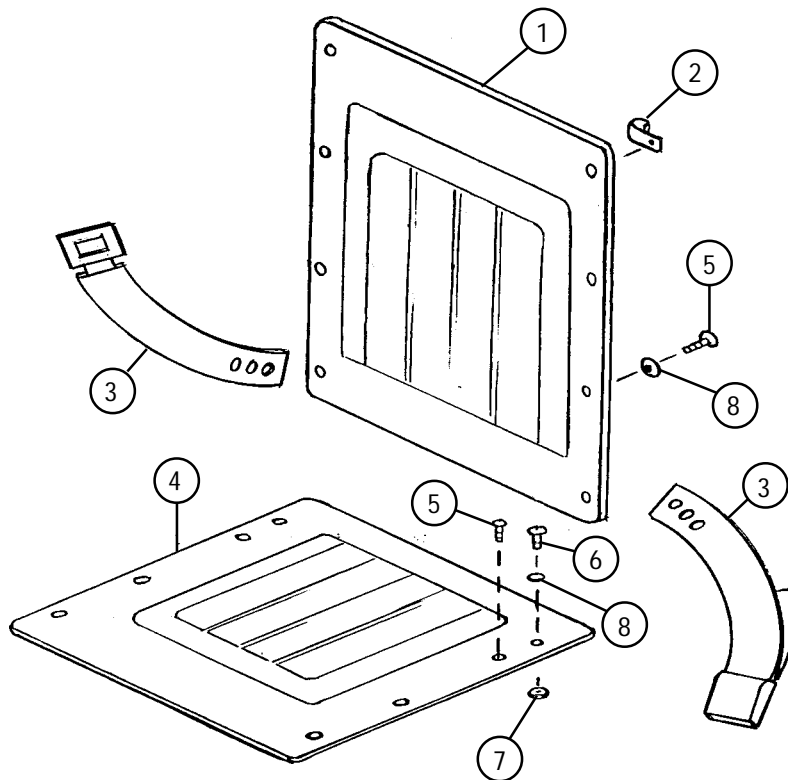
⊛ Coupling and Cup assembly was resized from approximately 1" to 1-1/4" diameter and serves as a direct replacement

MOTOR, GEARBOX and CLUTCH ASSEMBLY Update 8/03

(Continued)

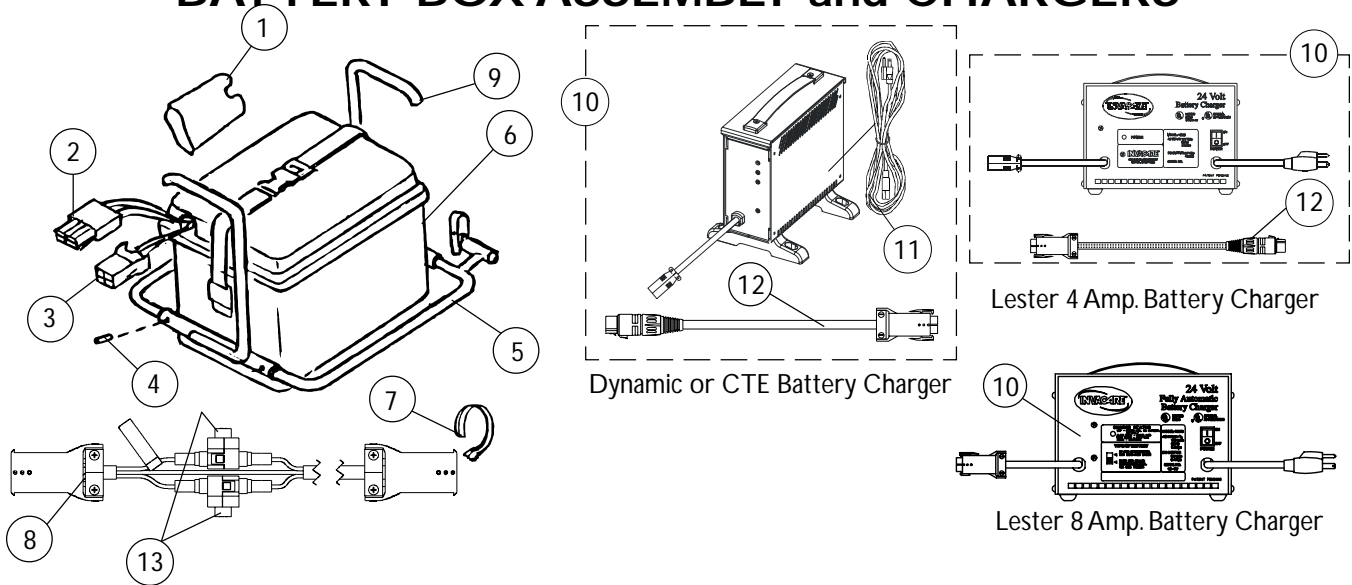
Item Number	Part Number	Description	Package Quantity
6	1001289	Turnbuckle Assembly	1
7	11232X009	Bolt, Lug (5/16 - 24 x 1 - 3/8")	1
8	7930364	Locknut (1/4 - 20")	25
9	7930363	Locknut (5/16 - 24")	25
10	60264X010	Screw, Hex Head (1/4 - 20 x 3/4")	1
11	20225X005 NLA	Flanged Locknut (10/32")	1
12	40157X000	Washer (11/32 x 5/8 x 3/64")	1
13	60264X011 NLA	Screw, Hex Head Cap (1/4 - 20 x 3/4")	1
14	1005628 NLA	Motor Mounting Bracket, Right	1
	1005629 NLA	Left	1
15	16348X009	Flat Washer (3/16")	1
16	1029464	Screw, Button Head (10 - 32 x 1 - 1/4")	1
17	1005830	Shroud, Right	1
	1005831	Left	1
18	1022597	Screw, Phillips Head (10 - 32 x 3/8")	1
19	7930363	Locknut (5/16 - 24")	25
20	05502X081 NLA	Belt Tension Bracket	1
21	60274X014	Hex Cap Screw (3/8 - 16 x 6 - 1/2")	1
22	1025377	Idler Pully	1
23	1004176	Belleville Washer (3/8 - 3/4 - 5/64")	1
24	05502X084	Idler Assembly	1
25	40157X013	Nylon Washer (11/32 - 7/8 - 1/16")	1
26	7930363	Locknut (5/16 - 24")	25
27	40117X026	Bearing (5/16")	1
28	47376X026	Black Vinyl Tip	1
29	1020059 NLA	Shifter Handle	1
30	40187X033	Roll Pin (1/8 x 1-1/2")	1
31	14133X001	Snap Ring	1
32	1011511	Spring Clutch	1
33	1003530	Drive Collar	1
34	50000X401	Needle Bearing	1
35	50000X400	Inner Race	1
36	1004108	V-Belt (44" Long)	1
37	1005790	Pully	1
38	1020551	Washer, Flat (1/4 x 3/8 x 1/16")	1
39	1005810 NLA	Cap Screw (1/4 - 20 x 5/8")	1
40	1016938	Drive Pully	1
41	50000X397	Bearing Spacer (3/8 - 5/8 - 5/8")	1
42	40314X001	Snap Ring	1
43	40363X000	Locknut (3/8 - 16")	1

BACK and SEAT UPHOLSTERY



Item Number	Part Number	Description	Package Quantity
1	†007133NLA	Back Upholstery 12" X 16"	1
	†009426NLA	12" X 18"	1
	†007136NLA	12" X 20"	1
	†007134NLA	14" X 16"	1
	†006656NLA	14" X 18"	1
	†007137NLA	14" X 20"	1
	†007135NLA	16" X 16"	1
	†007132NLA	16" X 18"	1
	†007138NLA	16" X 20"	1
	2	50000X403	Cable Clamp
3	1004310	Seat Positioning Strap	1
4	†006651NLA	Seat Upholstery, 12" Wide	1
	†003714NLA	16" Wide	1
	†006648NLA	18" Wide	1
5	7930353	Screw, Oval Head (10 - 32 x 7/8")	25
6	18860X005	Screw, Phillips Head (10-32 x 1-1/2")	1
7	7930365	Locknut (10-32)	25
8	7930355	Washer (1/4 x 3/4 x 1/64")	25

BATTERY BOX ASSEMBLY and CHARGERS

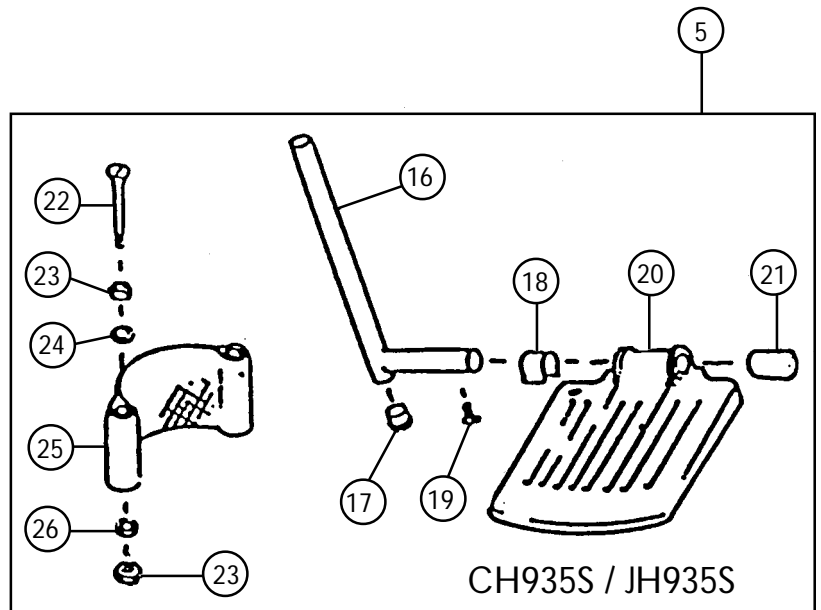
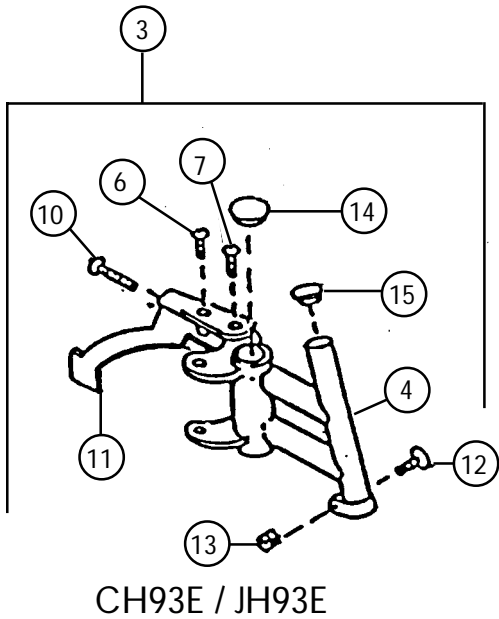
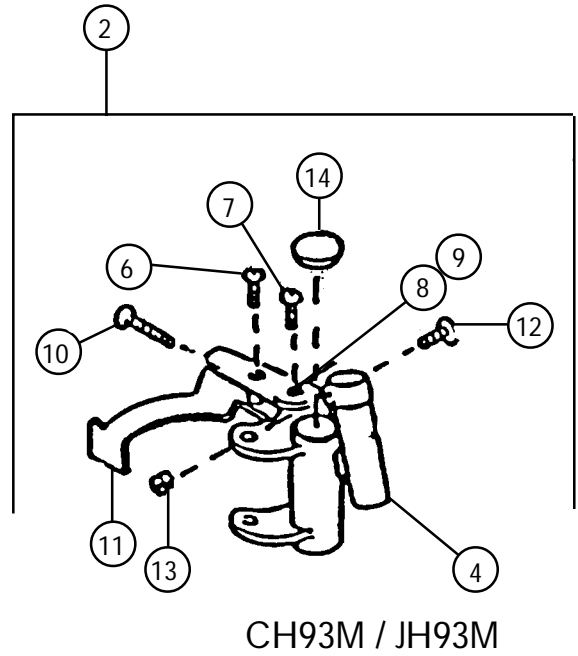
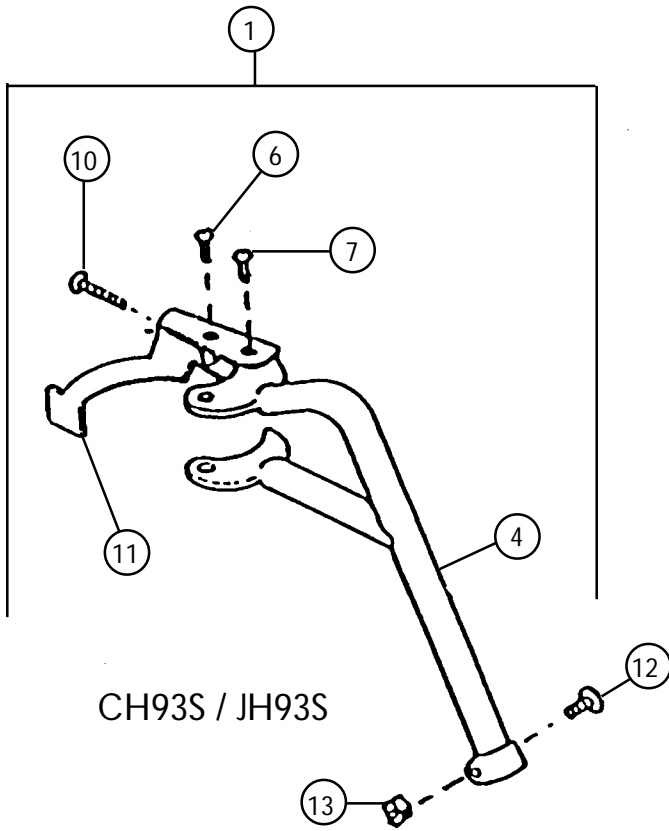


Item Number	Part Number	Description	Package Quantity
1	05501X053	Cable Connector Boot (Rabbit)	1
2	1013948	Battery Cable	1
3	1005714	Jumper Cable	1
4	60284X006	Set Screw (10 - 32 x 1/4")	1
5		Hanger and Rod Mounting Bracket	
	1006040NLA	Right	1
	1006041NLA	Left	1
6	1005715	Battery Box Assembly Includes:	1
		Cover 1005640	1
		Bottom 1005639	1
		Strap W/ Buckle 1005710	1
		Strap 1005709	1
7	1095503	Cable Tie (5-5/8" Long) (Package Quantity Of 10)	10
8	1013399	Charger Cable Extension	1
9	1006043NLA	Battery Box Handle Assembly	1
26		Battery Charger	
	◆ 1053163	Square Plug 8 Amp. Dual Mode, Lester	1
	✂ 1085685NLA	Square Plug 8 Amp. Dual Mode w/ AC Power Line Cord, Dynamic (not shown)	1
	☞ 1062556	Round Plug 8 Amp. Single Mode w/ AC Power Line Cord and Square Plug Adapter Cable, CTE Corp.	1
11	1089627	Cord, AC Power Line Cord	1
12	1053831	Adapter Cable (New Charger To Old Harness)	1
13		Fuse, 15 Amp.	
	1098892	Buss ATC-15 (Before 3/11/03) 2	
	1090117	Buss Mini ATM-15 (After 3/10/03)	2

◆ On 7/18/01 Lester 8 amp. battery charger was reinstated for service parts.

☞ The 4 amp. Lester charger was obsoleted and replaced with the 8 amp. CTE charger 4/1/04. Used on Gel Cell or AGM (Absorbed Glass Mat) batteries. CTE charger looks exactly the same as Dynamic's charger except for the company name that is silk screened on the narrow side panel, where the charger plug is (hard wired) attached. Serial number starts with 04A0000001. For wet cell batteries, use the 8 amp. dual mode Lester charger.

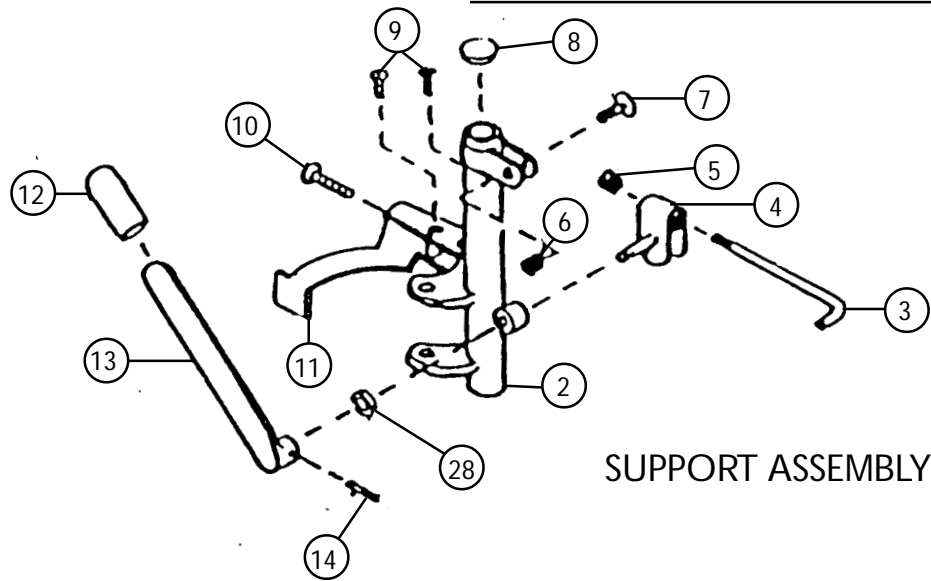
FOOTRESTS



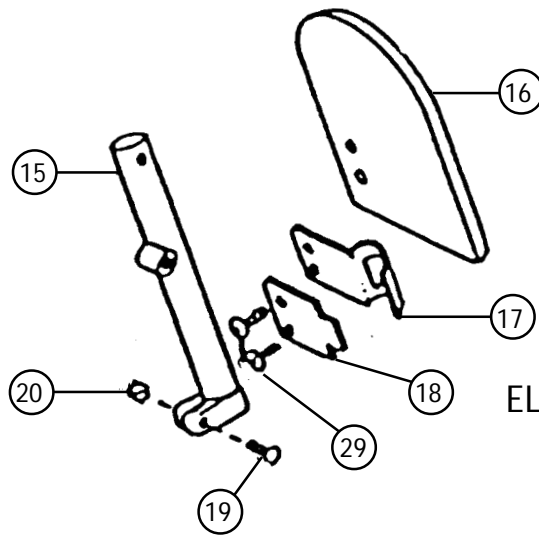
FOOTRESTS (Continued)

Item Number	Part Number	Description	Package Quantity
1	1007265 NLA	Support Assembly CH93S Right	1
	1007266 NLA	CH93S Left	1
	1007267 NLA	JH93S Right	1
	1007268 NLA	JH93S Left	1
2	1007263 NLA	CH93E Right	1
	1007264 NLA	CH93E Left	1
	1007261 NLA	JH93E Right	1
	1007262 NLA	JH93E Left	1
3	1007237 NLA	CH93M Right	1
	1007258 NLA	CH93M Left	1
	1007259 NLA	JH93M Right	1
	1007260 NLA	JH93M Left	1
4	1031194	Upper Support CH93M / JH93M Right	1
	1031195	CH93M / JH93M Left	1
	1031245	CH93E / JH93E Right	1
	1031246	CH93E / JH93E Left	1
	1030706	CH93S / JH93S Right	1
	1030707	CH93S / JH93S Left	1
5	1007274	Pivot Slide Tube and Footboard Assembly CH93M / CH93S / CH93E Right	1
	1007275	CH93M / CH93S / CH93E Left	1
	1020232	JH93M / JH93S / JH93E Right	1
	1020233	JH93M / JH93S / JH93E Left	1
6	7930360	Screw, Phillips Head Machine (10-32 X 11/16")	25
7	7930359	Screw, Round Head Machine (10-32 X 1/2")	25
8	7930365	Locknut (10-32")	25
9	47565X057	Bushing	1
10	11008X011	Screw, Phillips Head Machine (10-32 X 1-13")	1
11	1023428	Swing Release Handle Right	1
	1023431	Swing Release Handle Left	1
12	11232X009	Bolt, Lug (5/16 - 24 x 1-3/8")	1
13	7930363	Locknut (5/16 - 24")	25
14	40144X000	Plug Button (7/8")	1
15	40144X001	Plug Button (3/4")	1
16	7500004	Pivot Slide Tube	1
17	40144X001	Plug Button (3/4")	1
18	1006981	Spring	1
19	7930354	Screw, Phillips Head (8-32 x 3/8")	25
20		Footplate	
	44200X059	JH93	1
	44200X032	CH93	1
21		Tube End Cap	
	40186X019	CH93	1
	44200X037 NLA	JH93	1
22	18860X007	Screw, Phillips Head (1/4-20 x 2-1/4")	1
23	7930367	Locknut (1/4-28")	25
24	7930307	Nut (1/4 - 20")	25
25	1006327	Heel Loop	1
26	40157X004	Nylon Spacer (1/4 x 1/8")	1

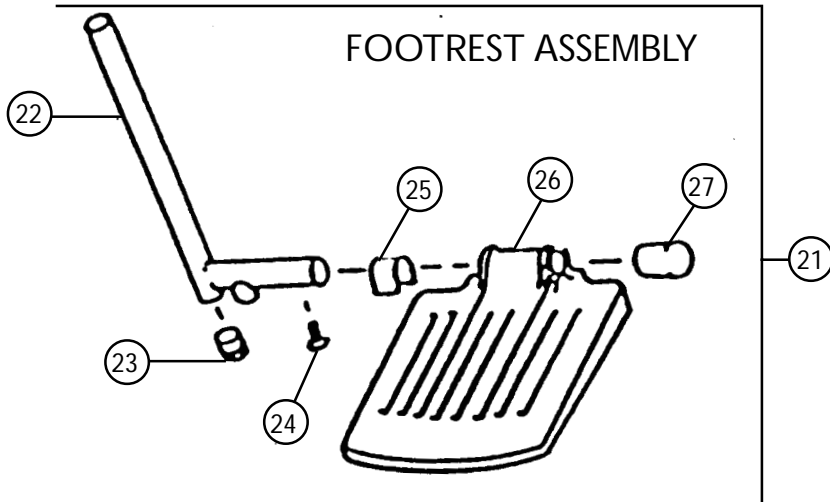
LEGRESTS



SUPPORT ASSEMBLY



ELEVATING TUBE



FOOTREST ASSEMBLY

1

LEGRESTS (Continued)

Item Number	Part Number	Description	Package Quantity
1	1007255 NLA	Legrest Assembly JH94	Right 1
	1007256 NLA		Left 1
	1007105 NLA	CH94	Right 1
	1007106 NLA		Left 1
	1007103 NLA	CJH94	Right 1
	1007104 NLA		Left 1
2	1007107 NLA	Support Assembly CH94 / JH94 / CJ94	Right 1
	1007108 NLA		Left 1
3	42326X001	Ratchet Bar	1
4	04528X006 NLA	Ratchet Assembly	Right 1
	04528X007 NLA		Left 1
5	7930336	Nut, Acorn (5/16 - 24")	25
6	40363X000	Locknut (3/8 - 16")	1
7	11919X000	Screw, Truss Head (3/8 - 16 x 1-1/2")	1
8	40144X000	Plug Button (7/8")	1
9	7930360	Screw, Phillips Head Machine (10-32 x 11/16")	25
	7930359	Screw, Round Head Machine (10-32 x 1/2")	25
10	11008X001	Screw, Phillips Head Machine (10-32 x 1-1/4")	1
11	1023428	Swivel Release Handle	Right 1
	1023431		Left 1
12	1006490	Tip, Black Plastic	1
13	04528X005 NLA	Handle, Ratchet	1
14	40187X000	Roll Pin (1/8 x 9/16")	1
15	04526X002	Legrest Tube JH94 / CJH94	Right 1
	04526X003		Left 1
	04526X006	CH94	Right 1
	04526X007		Left 1
	04529X003	Legrest Pad JH94 / CJH94	Right 1
16	04529X004		Left 1
	47352X003	Pade Plate Lock	1
18	47352X004	Clamp	1
19	11232X009	Bolt, Lug (5/16 - 24 x 1-3/8")	1
20	7930363	Locknut (5/16 - 24")	25
		Pivot Slide Tube, Footrest Assembly	
21	1007271	CJH94	Right 1
	1007272		Left 1
	1007280	CH94	Right 1
	1007281		Left 1
	1007271	JH94	Right 1
	1007272		Left 1
	04470X026	Pivot Slide Tube	1
23	1027098	Plug Button, Grey (3/4")	1
24	7930354	Screw, Phillips Head (8-32 x 3/8")	25
25	1006981	Spring	1
26	44200X059	Footplate - JH94	1
27	40186X019	Tube End Cap (1-7/16)	1
28	40765X001 NLA	Spacer	1
29	7930360	Screw, Pan Head (10-32 x 11/16")	25

Invacare Corporation www.invacare.com



Yes, you can.™

USA
One Invacare Way
Elyria, OH USA
44036-2125
800-333-6900

Invacare is a registered trademark and Yes, you can. is a trademark of Invacare Corporation. Bussman is a registered trademark of Cooper Industries. Dynamic is a registered trademark of Dynamic Controls Limited.

Information is subject to change without notification.
©2001 Invacare Corporation Form No. 85-53 (Rev 6/01)